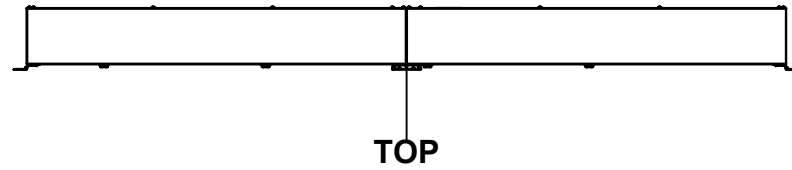
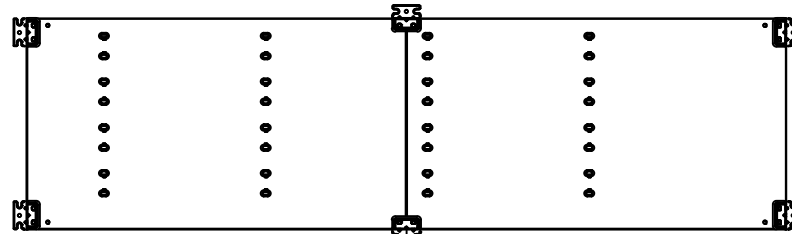


This drawing is confidential and must not be reproduced or used without the consent of EXM

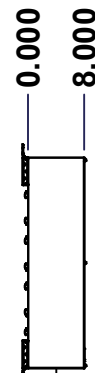
Ce dessin est confidentiel et ne doit pas être reproduit ou utilisé sans le consentement de EXM



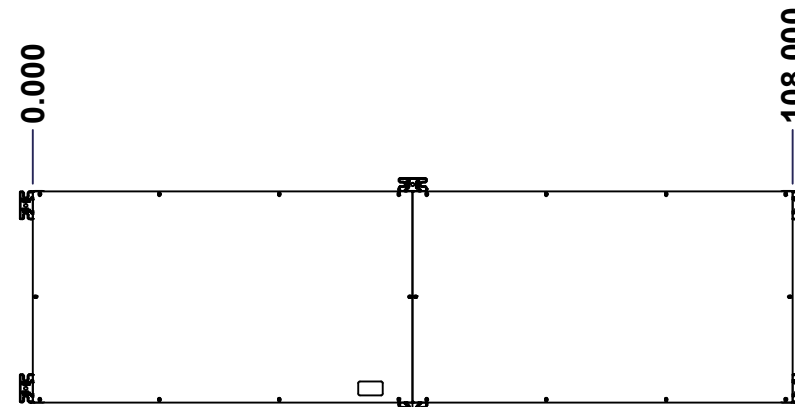
TOP



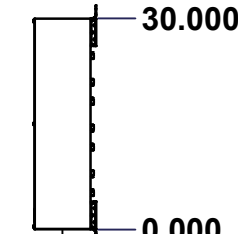
BACK



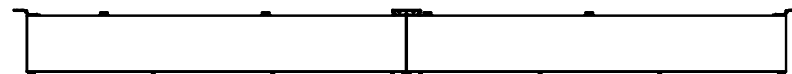
LEFT



FRONT



RIGHT



BOTTOM

| No. | Revisions | Date | By/Par |
|-----|-----------|------|--------|
| | | | |
| | | | |
| | | | |
| | | | |

Isometric View

| | | |
|--|---|--|
| Tél: (450) 979-4373 Fax: (450) 979-4626 www.exmweb.com | | Flatness Aplatissement Max 3.0mm Projection |
| Customer Client | Date | |
| Drawn By Dessiné Par | BoxCad: BoxCad | Date 25-Jul-22 |
| Material Matière | 14 Ga Cold Rolled A1008 CS Type B (1.7mm) | |
| Color Couleur | Asa-61 Grey | Finish Fini Smooth |
| Description 1100BT 600A - 4Wires x 108" Assembly | | Detail Rev. |
| Part Number Numéro Pièce | Rev. 0 | 1/8 |

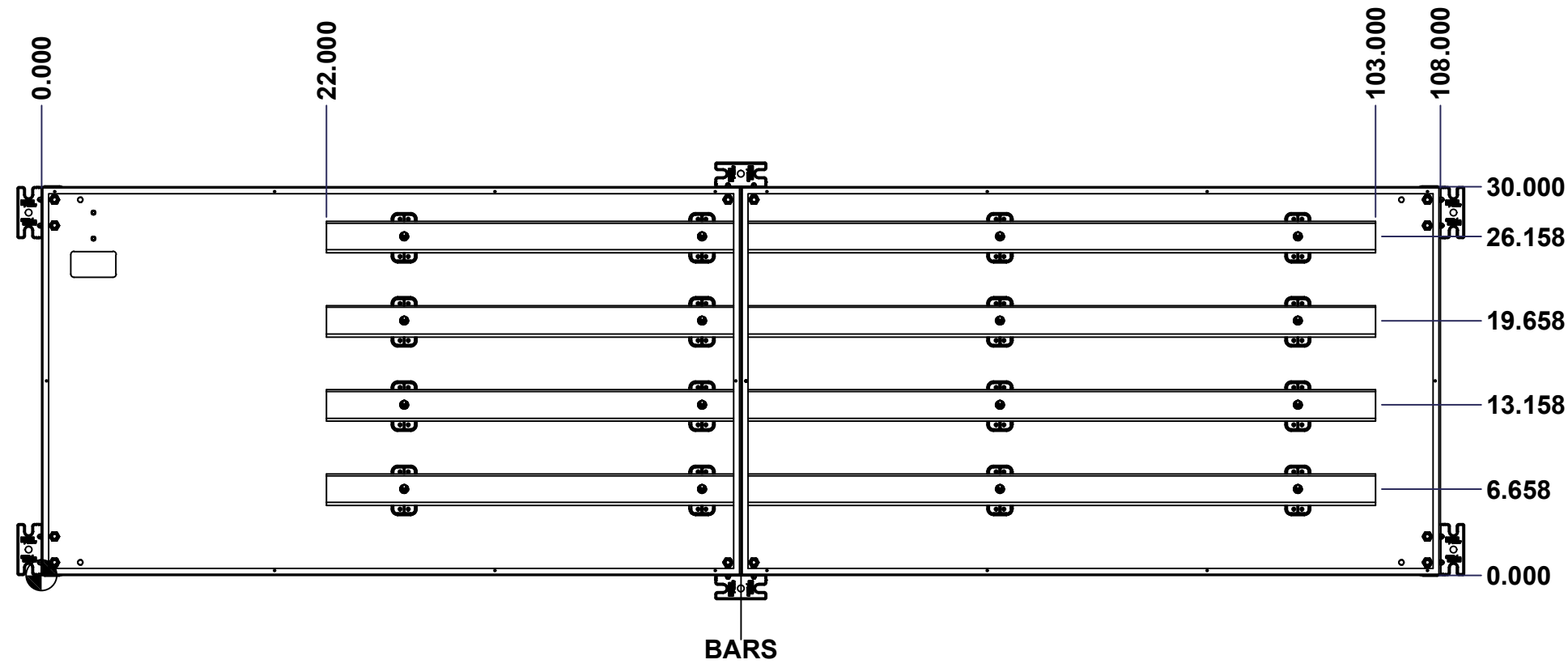
SEE BILL OF MATERIAL ON LAST PAGE

1100BT09604

This drawing is confidential and must not be reproduced or used without the consent of Eurobox

STANDARD FEATURES ARE NOT LISTED IN THIS HOLE TABLE

Ce dessin est confidentiel et ne doit pas être reproduit ou utilisé sans le consentement de Eurobox



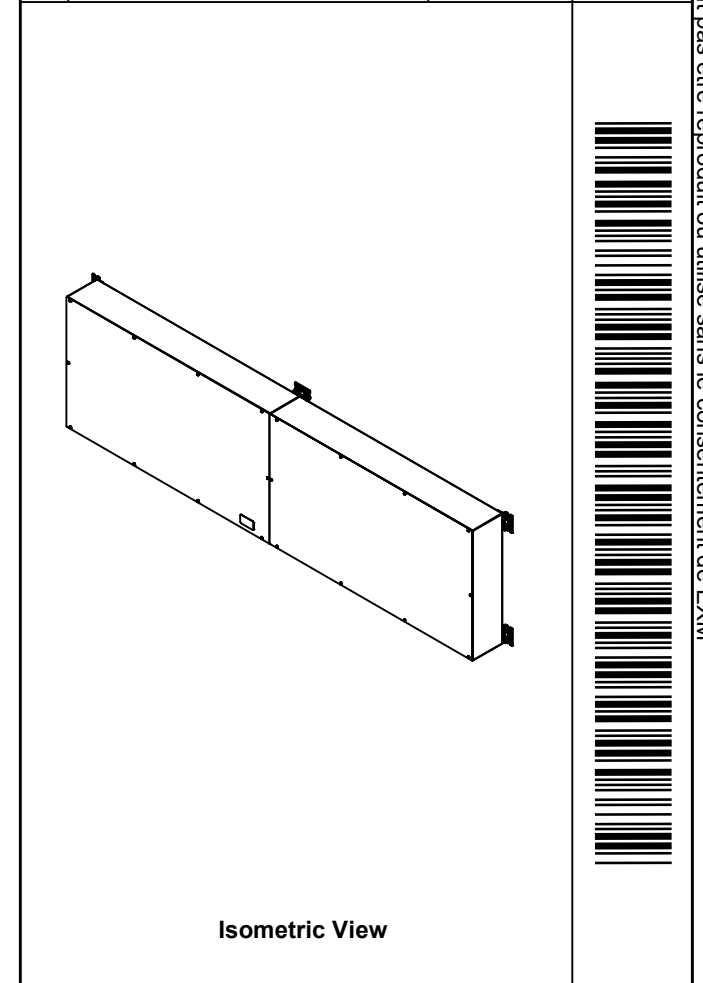
| | | | |
|--|--------------------------------------|----------|--------|
| | Description | Status | |
| | 1100BT 600A - 4Wires x 108" Assembly | (NULL) | |
| | Part Number Numéro Pièce | Rev. | |
| | 1100BT09604 | 0 | 2 8 |

This drawing is confidential and must not be reproduced or used without the consent of EXM

Ce dessin est confidentiel et ne doit pas être reproduit ou utilisé sans le consentement de EXM

| NOTE | |
|------|--|
| ITEM | DESCRIPTION |
| 1 | NEMA 1 Enclosure (IP20) |
| 2 | C/W Standard ground studs on box and cover |
| 3 | W/O Standard door stiffener |
| 4 | W/O Inner panel |
| 5 | W/O Inner panel mounting studs |

| No. | Revisions | Date | By/Par |
|-----|-----------|------|--------|
| | | | |
| | | | |
| | | | |
| | | | |
| | | | |



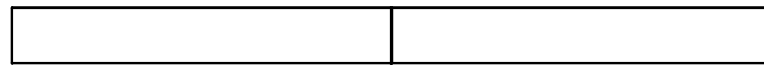
| PACKING | | |
|-----------------------|-----|--|
| ITEM | QTY | DESCRIPTION |
| Cardboard sleeve | 2 | Top and Bottom |
| Cardboard strip | 2 | Between back of enclosure and inner panel |
| Plastic bag | 1 | To protect cover surface and inside gasket |
| Cardboard corner | 4 | To reinforced for the plastic strap tightening |
| Plastic strap - Black | 2 | To Squeeze 2 cardboard sleeve together |
| Packaging label | 3 | White label with PN |
| Plastic strap- Green | 2 | To secure the enclosure to the wood pallet |
| Wood Pallet | 1 | 2" deeper and 3" larger than enclosure size |

| | | | |
|------------|-------------------|-----|---|
| 1 | 1100BT09604BAR3-P | 0 | Rounded Edge Aluminum Bar 3/8" x 2 1/2" |
| 1 | 1100BT09604BAR4-P | 0 | Rounded Edge Aluminum Bar 3/8" x 2 1/2" |
| 1 | 1100BT09604BAR2-P | 0 | Rounded Edge Aluminum Bar 3/8" x 2 1/2" |
| 1 | 1100BT09604BAR1-P | 0 | Rounded Edge Aluminum Bar 3/8" x 2 1/2" |
| 10 | STK-Q-07220 | 1 | M6 Nylon Insert Lock Nut |
| 10 | STK-Q-00260 | 1 | M6 x 13mm Carriage Bolt |
| 16 | STK-Q-07310 | 3 | Flange Lock Nut M8 |
| 16 | STK-A-67400 | 0 | Buss Bar Insulator Kit |
| 20 | STK-Q-05020 | 5 | M5 x 8mm Thread Rolling Screw |
| 1 | 1100BT09604C | 0 | 1100BT 30" x 108" Cover |
| 1 | 1100BT09604B | 0 | 1100BT 30" x 108" x 8" Body |
| 3 | 885 BTMF | 0 | 885 BTMF Mounting Feet Kit |
| Qty | Part Number | Rev | Description |
| Parts List | | | |

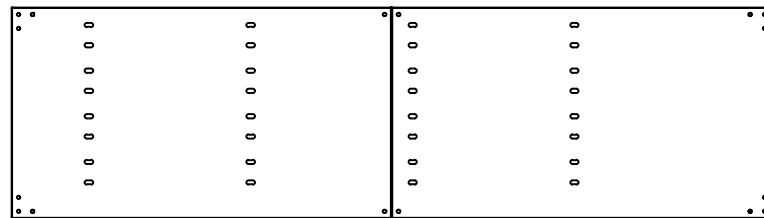
| | | |
|---|--|--|
| | Tél: (450) 979-4373 Fax: (450) 979-4626 www.exmweb.com | Flatness Aplatissement Max 3.0mm |
| | Projection | Customer Client |
| Drawn By Dessiné Par | BoxCad: BoxCad | Date 25-Jul-22 |
| Material Matière | 14 Ga Cold Rolled A1008 CS Type B (1.7mm) | |
| Color Couleur | Asa-61 Grey | Finish Fini Smooth |
| Description 1100BT 600A - 4Wires x 108" Assembly | | Detail Rev. |
| Part Number Numéro Pièce 1100BT09604 | | Rev. 0 3 8 |

This drawing is confidential and must not be reproduced or used without the consent of EXM

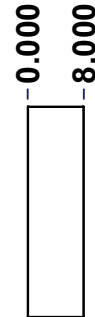
Ce dessin est confidentiel et ne doit pas être reproduit ou utilisé sans le consentement de EXM



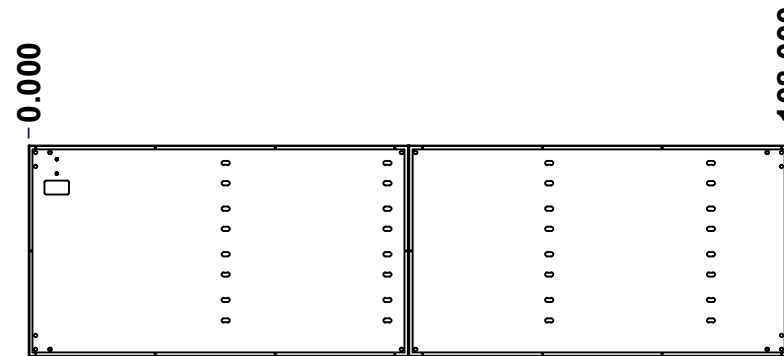
TOP



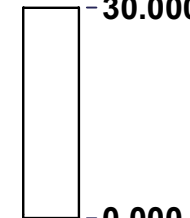
BACK



LEFT



FRONT

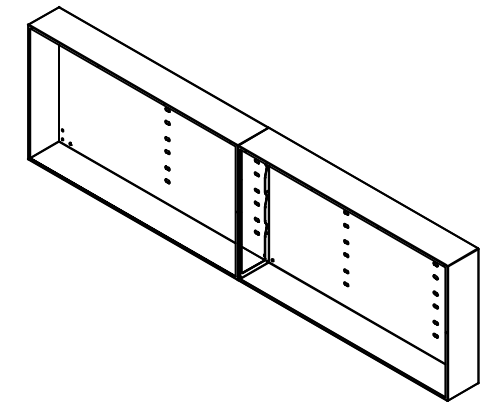


RIGHT



BOTTOM

| No. | Revisions | Date | By/Par |
|-----|-----------|------|--------|
| | | | |
| | | | |
| | | | |
| | | | |
| | | | |



Isometric View

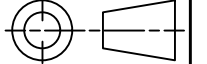


Tél: (450) 979-4373
 Fax: (450) 979-4626
www.exmweb.com

Flatness
Aplatissement

Max 3.0mm

Projection



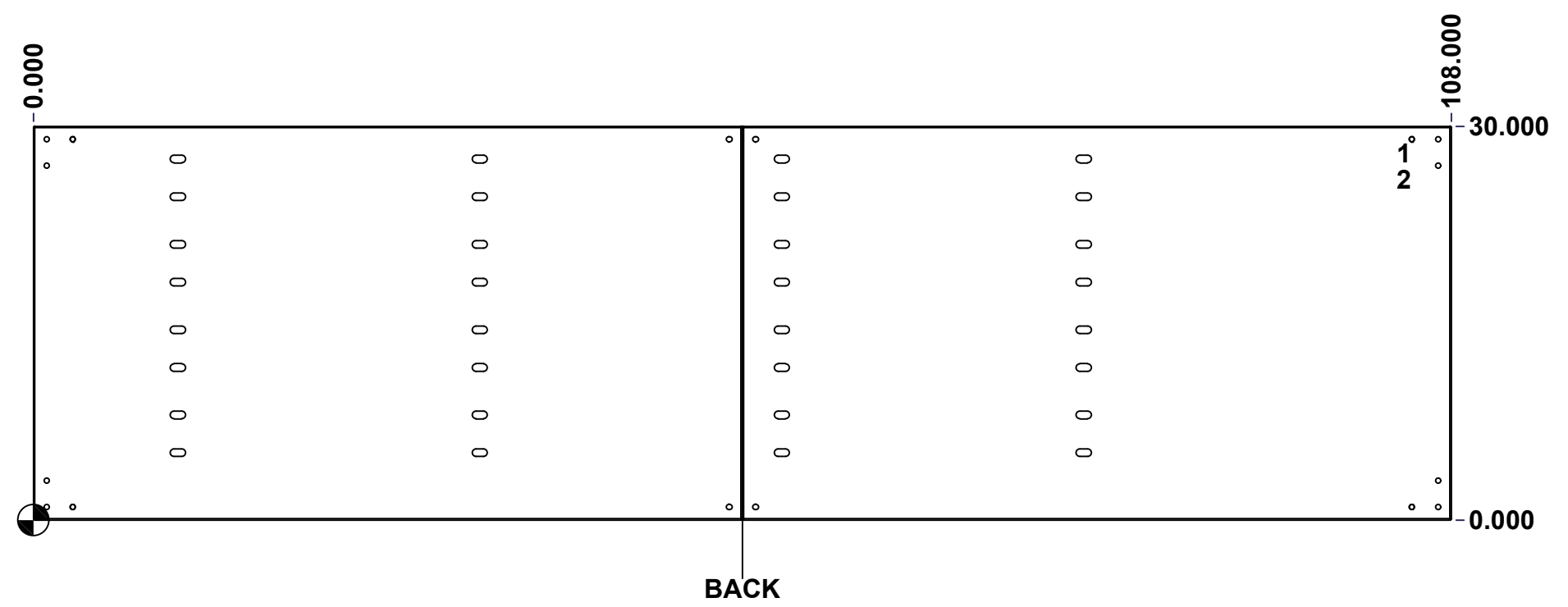
| | |
|---|-----------------------|
| Customer Client | Date |
| Drawn By Dessiné Par BoxCad: BoxCad | Date 25-Jul-22 |
| Material Matière 14 Ga Cold Rolled A1008 CS Type B (1.7mm) | |
| Color Couleur Asa-61 Grey | Finish Fini Smooth |
| Description 1100BT 30" x 108" x 8" Body | Detail Rev. |
| Part Number Numéro Pièce 1100BT09604B | Rev. 4 0 |

SEE BILL OF MATERIAL ON LAST PAGE

This drawing is confidential and must not be reproduced or used without the consent of Eurobox

Ce dessin est confidentiel et ne doit pas être reproduit ou utilisé sans le consentement de Eurobox

| STANDARD FEATURES ARE NOT LISTED IN THIS HOLE TABLE | | | |
|--|---------|--------|-----------------------------|
| HOLE TABLE - BACK VIEW (CUSTOM FEATURE ONLY) | | | |
| CUT-OUT | XDIM | YDIM | DESCRIPTION |
| 1 | 104.000 | 28.000 | GND STUD M8 x 35mm (Inside) |
| 2 | 104.000 | 26.000 | GND STUD M8 x 35mm (Inside) |

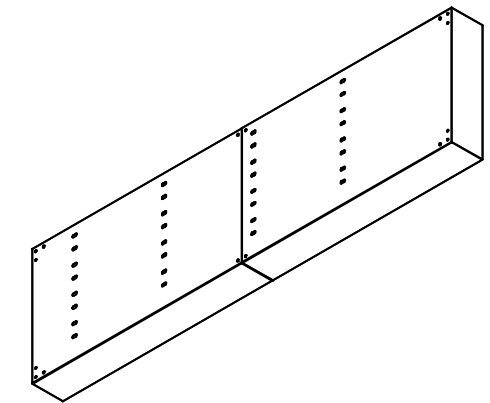


| | | | |
|--|-----------------------------|----------|---|
| | Description | Status | |
| | 1100BT 30" x 108" x 8" Body | (NULL) | |
| | Part Number Numéro Pièce | Rev. | 5 |
| | 1100BT09604B | 0 | 8 |

This drawing is confidential and must not be reproduced or used without the consent of EXM

Ce dessin est confidentiel et ne doit pas être reproduit ou utilisé sans le consentement de EXM

| No. | Revisions | Date | By/Par |
|-----|-----------|------|--------|
| | | | |
| | | | |
| | | | |
| | | | |
| | | | |



Isometric View

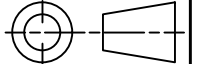


Tél: (450) 979-4373
 Fax: (450) 979-4626
www.exmweb.com

Flatness
Aplatissement

Max 3.0mm

Projection



| | |
|---|-----------------|
| Customer Client | Date |
| Drawn By / Dessiné Par: BoxCad: BoxCad | Date: 25-Jul-22 |
| Material / Matière: 14 Ga Cold Rolled A1008 CS Type B (1.7mm) | |

| | |
|------------------------------|-----------------------|
| Color / Couleur: Asa-61 Grey | Finish / Fini: Smooth |
|------------------------------|-----------------------|

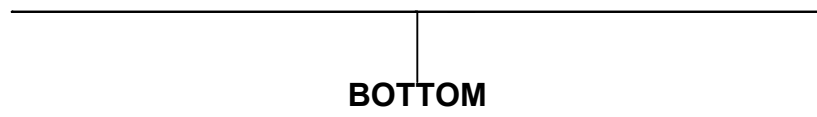
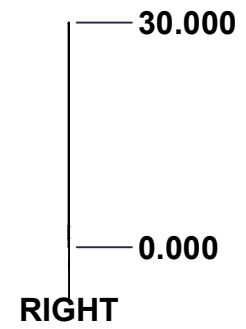
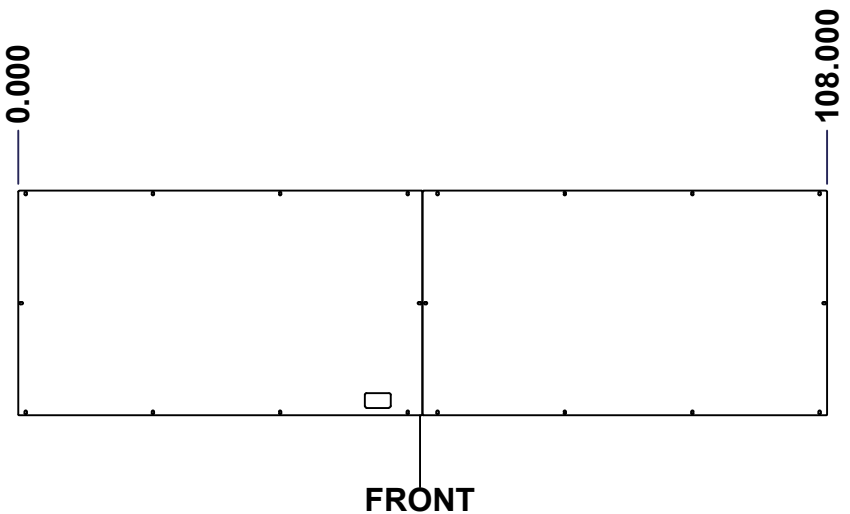
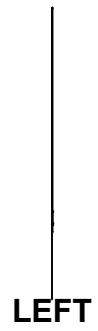
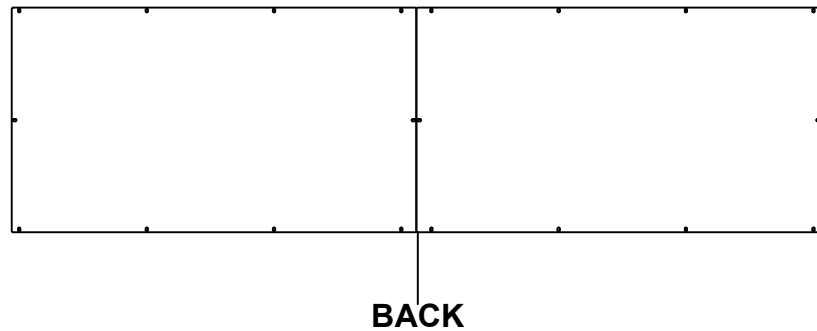
| | |
|--|-------------|
| Description: 1100BT 30" x 108" x 8" Body | Detail Rev. |
|--|-------------|

| | | |
|---|--------|-------|
| Part Number / Numéro Pièce: 1100BT09604B | Rev. 0 | 6 / 8 |
|---|--------|-------|

| Qty | Part Number | Rev | Description |
|------------|----------------|-----|--|
| 1 | STK-P-02400S | 0 | Powder Paint (Asa-61 Grey / Smooth) |
| 1 | 1100BT09604B-P | 0 | 1100BT 30" x 108" x 8" Body Part |
| 1 | STK-S-00100 | 0 | 3.5" x 2" Silver Milar Flexcon Sticker |
| 2 | STK-Q-16005 | 0 | Stud M8 x 35mm Steel |
| 1 | 1100BT09604E-P | 0 | 1100BT 30" x 108" x 8" Body Part |
| Parts List | | | |

This drawing is confidential and must not be reproduced or used without the consent of EXM


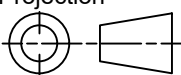
Ce dessin est confidentiel et ne doit pas être reproduit ou utilisé sans le consentement de EXM



| No. | Revisions | Date | By/Par |
|-----|-----------|------|--------|
| | | | |
| | | | |
| | | | |
| | | | |

Isometric View



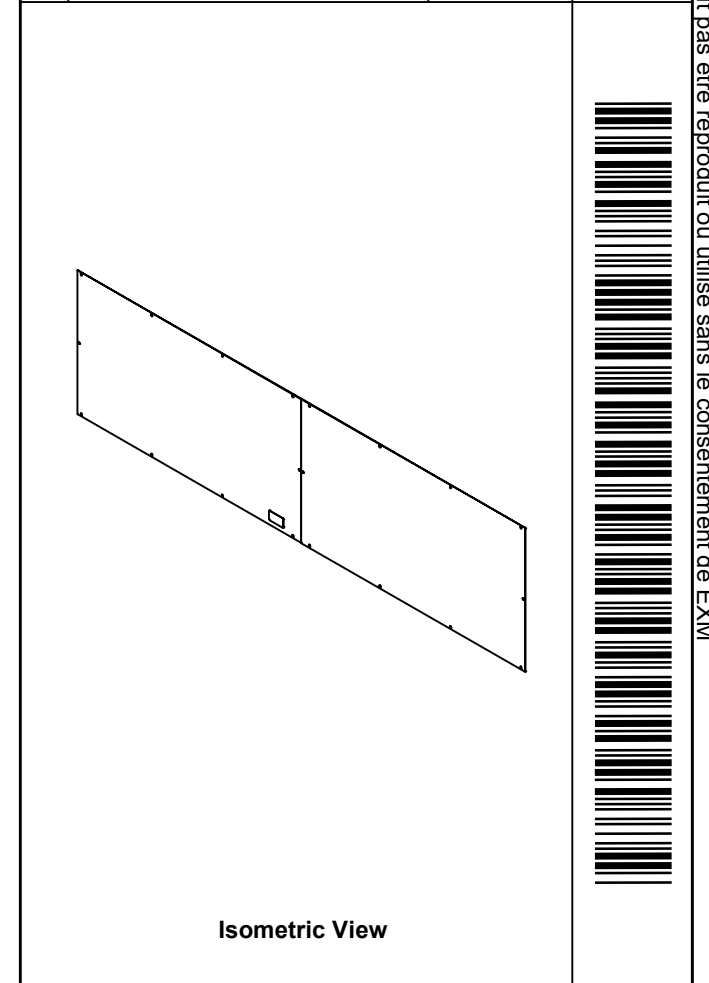
| | | |
|--|---|---|
|  Tél: (450) 979-4373 Fax: (450) 979-4626 www.exmweb.com | | Flatness Aplatissement Max 3.0mm Projection  |
| Customer Client | Date | |
| Drawn By Dessiné Par | BoxCad: BoxCad | Date 25-Jul-22 |
| Material Matière | 14 Ga Cold Rolled A1008 CS Type B (1.7mm) | |
| Color Couleur | Asa-61 Grey | Finish Fini Smooth |
| Description 1100BT 30" x 108" Cover | | Detail Rev. |
| Part Number Numéro Pièce | 1100BT09604C | Rev. 7 0 |


SEE BILL OF MATERIAL ON LAST PAGE

This drawing is confidential and must not be reproduced or used without the consent of EXM

Ce dessin est confidentiel et ne doit pas être reproduit ou utilisé sans le consentement de EXM

| No. | Revisions | Date | By/Par |
|-----|-----------|------|--------|
| | | | |
| | | | |
| | | | |
| | | | |
| | | | |



| | | |
|--|-----------------------|--|
|  Tél: (450) 979-4373 Fax: (450) 979-4626 www.exmweb.com | | Flatness Aplatissement Max 3.0mm |
| Customer Client | | Date |
| Drawn By / Dessiné Par: BoxCad: BoxCad | | Date: 25-Jul-22 |
| Material / Matière: 14 Ga Cold Rolled A1008 CS Type B (1.7mm) | | |
| Color / Couleur: Asa-61 Grey | Finish / Fini: Smooth | |
| Description: 1100BT 30" x 108" Cover | | Detail Rev. |
| Part Number / Numéro Pièce: 1100BT09604C | | Rev. 8 0 |

| Qty | Part Name | Rev | Description |
|------------|----------------|-----|--|
| 1 | STK-P-02400S | 0 | Powder Paint (Asa-61 Grey / Smooth) |
| 1 | 1100BT09604F-P | 0 | 1100BT 30" x 108" Flanged Cover Part |
| 1 | 1100BT09604C-P | 0 | 1100BT 30" x 108" Flat Cover Part |
| 1 | STK-S-00100 | 0 | 3.5" x 2" Silver Milar Flexcon Sticker |
| Parts List | | | |