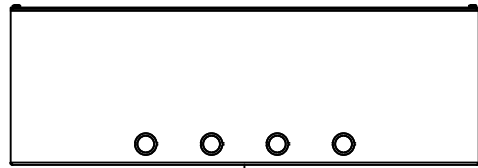
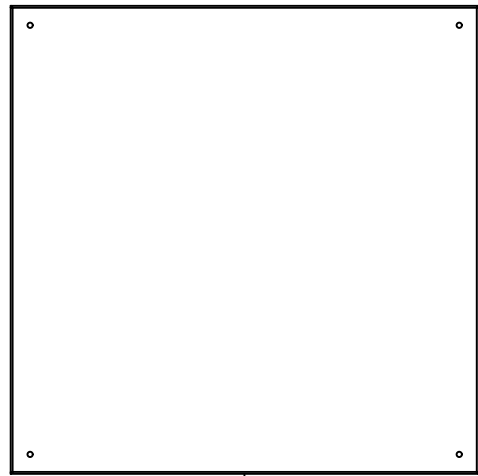


This drawing is confidential and must not be reproduced or used without the consent of EXM

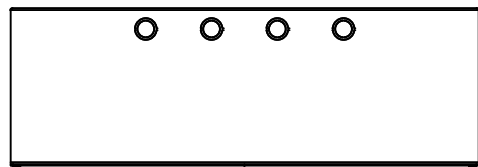
Ce dessin est confidentiel et ne doit pas être reproduit ou utilisé sans le consentement de EXM



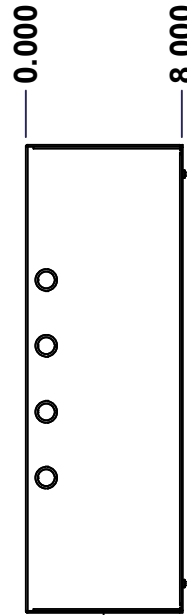
TOP



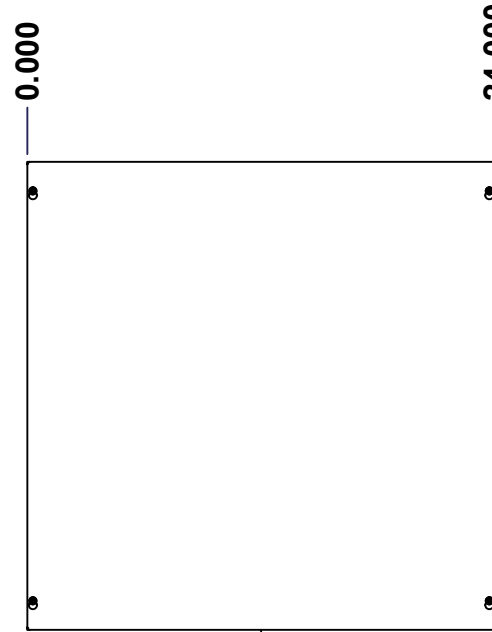
BACK



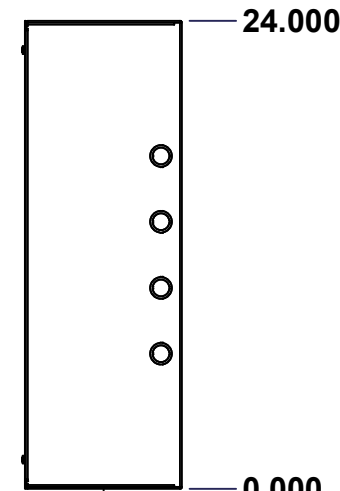
BOTTOM



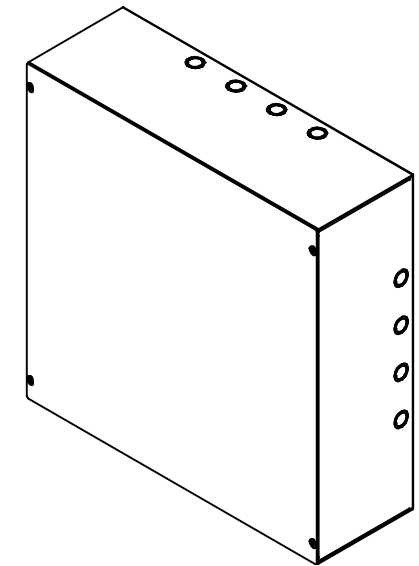
LEFT



FRONT




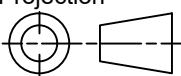
RIGHT



Isometric View



| No. | Revisions | Date | By/Par |
|-----|-----------|------|--------|
|     |           |      |        |
|     |           |      |        |
|     |           |      |        |
|     |           |      |        |

|  |  |   |
|--|--|---|
|  Tél: (450) 979-4373<br>Fax: (450) 979-4626<br><a href="http://www.exmweb.com">www.exmweb.com</a> |  | Flatness<br>Aplatissement<br>Max 3.0mm<br>Projection<br> |
| Customer Client  | Date   |   |
| Drawn By<br>Dessiné Par  | BoxCad: BoxCad   | Date 23-Jun-17  |
| Material<br>Matière  | 14 Ga Cold Rolled A1008 CS Type B (1.7mm)<br>16 Ga Cold Rolled A1008 CS Type B (1.4mm) |   |
| Color<br>Couleur   | Asa-61 Grey  | Finish<br>Fini Smooth   |
| Description<br>1100DF 24" x 24" x 8" Assembly  |  | Detail Rev.   |
| Part Number<br>Numéro Pièce  | 1100DF242408   | Rev. 0  |

SEE BILL OF MATERIAL ON LAST PAGE

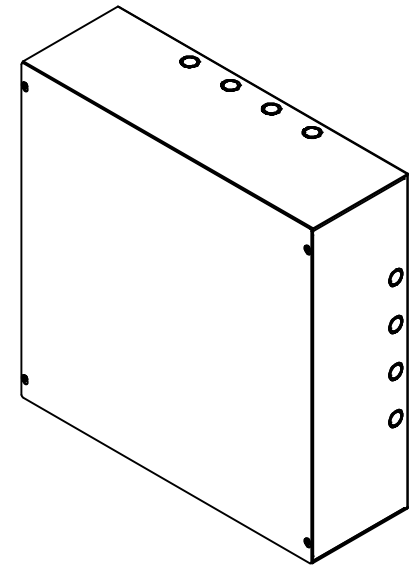
1  
7

This drawing is confidential and must not be reproduced or used without the consent of EXM

Ce dessin est confidentiel et ne doit pas être reproduit ou utilisé sans le consentement de EXM

| NOTE |  |
|------|--|
| ITEM | DESCRIPTION                                    |
| 1    | NEMA 1 Enclosure (IP20)                        |
| 2    | C/W Standard ground provision on box and cover |
| 3    | W/O Standard door stiffener                    |
| 4    | W/O Inner panel                                |
| 5    | W/O Inner panel mounting provision             |

| No. | Revisions | Date | By/Par |
|-----|-----------|------|--------|
|     |           |      |        |
|     |           |      |        |
|     |           |      |        |
|     |           |      |        |
|     |           |      |        |
|     |           |      |        |



Isometric View



Tél: (450) 979-4373  
 Fax: (450) 979-4626  
[www.exmweb.com](http://www.exmweb.com)



|  |                              |
|--|------------------------------|
| Customer Client  | Date                         |
| Drawn By / Dessiné Par: BoxCad: BoxCad   | Date: 23-Jun-17              |
| Material / Matière: 14 Ga Cold Rolled A1008 CS Type B (1.7mm)<br>16 Ga Cold Rolled A1008 CS Type B (1.4mm) | Color / Couleur: Asa-61 Grey |
| Finish / Fini: Smooth  |                              |

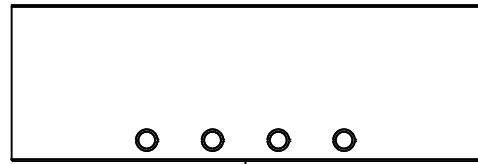
| PACKING               |     |  |
|-----------------------|-----|--|
| ITEM                  | QTY | DESCRIPTION                                |
| Cardboard sleeve      | 2   | Top and Bottom                             |
| Plastic strap - Black | 2   | To squeeze the 2 cardboard sleeve together |
| Thermal plastic film  | 1   | Use with Packing Tunnel Wrapper Machine    |
| Packaging label       | 1   | White label with product number            |

| Qty        | Part Number   | Rev | Description                   |
|------------|---------------|-----|-------------------------------|
| 4          | STK-Q-05020   | 5   | M5 x 8mm Thread Rolling Screw |
| 1          | 1100DF242408C | 0   | 1100DF 24" x 24" Cover        |
| 1          | 1100DF242408B | 0   | 1100DF 24" x 24" x 8" Body    |
| Parts List |               |     |                               |

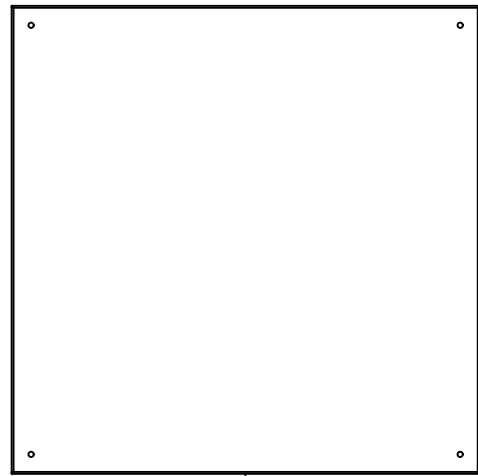
|   |                |
|---|----------------|
| Description: 1100DF 24" x 24" x 8" Assembly     | Detail Rev.    |
| Part Number / Numéro Pièce: <b>1100DF242408</b> | Rev. 0 / 2 / 7 |

This drawing is confidential and must not be reproduced or used without the consent of EXM

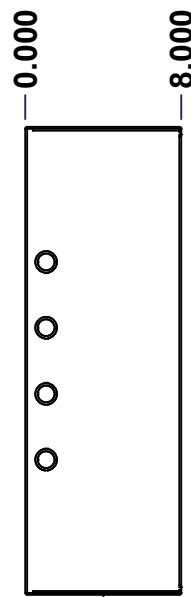
Ce dessin est confidentiel et ne doit pas être reproduit ou utilisé sans le consentement de EXM



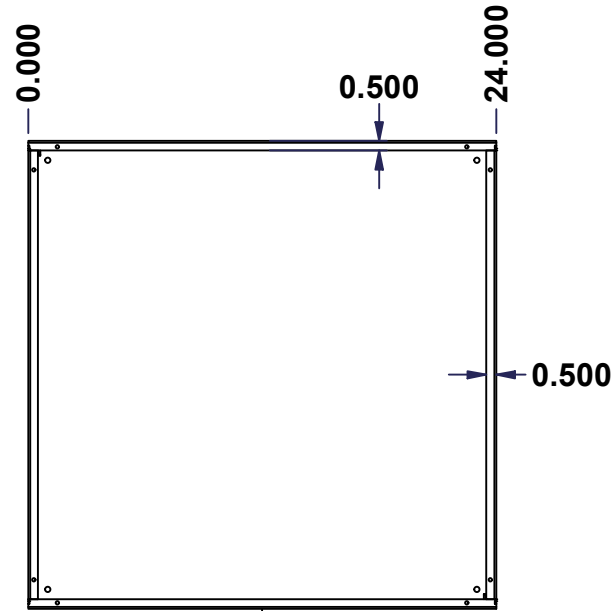
TOP



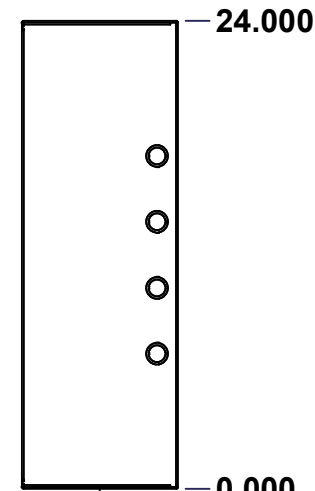
BACK



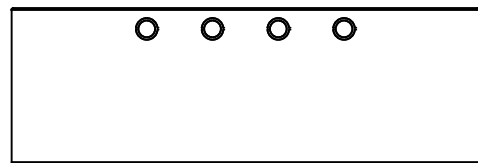
LEFT



FRONT

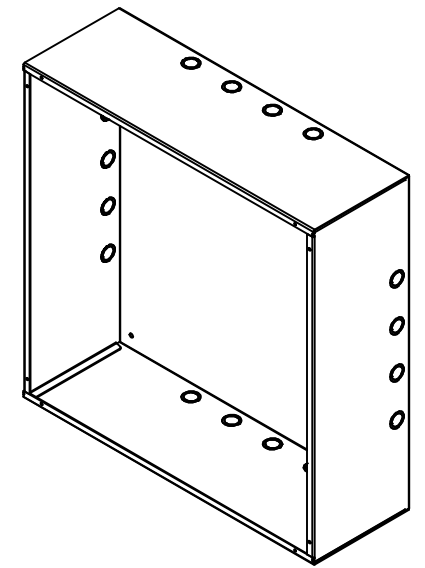


RIGHT



BOTTOM

| No. | Revisions | Date | By/Par |
|-----|-----------|------|--------|
|     |           |      |        |
|     |           |      |        |
|     |           |      |        |
|     |           |      |        |



Isometric View

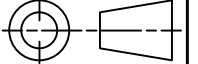


Tél: (450) 979-4373  
 Fax: (450) 979-4626  
[www.exmweb.com](http://www.exmweb.com)

Flatness  
Aplatissement

Max 3.0mm

Projection



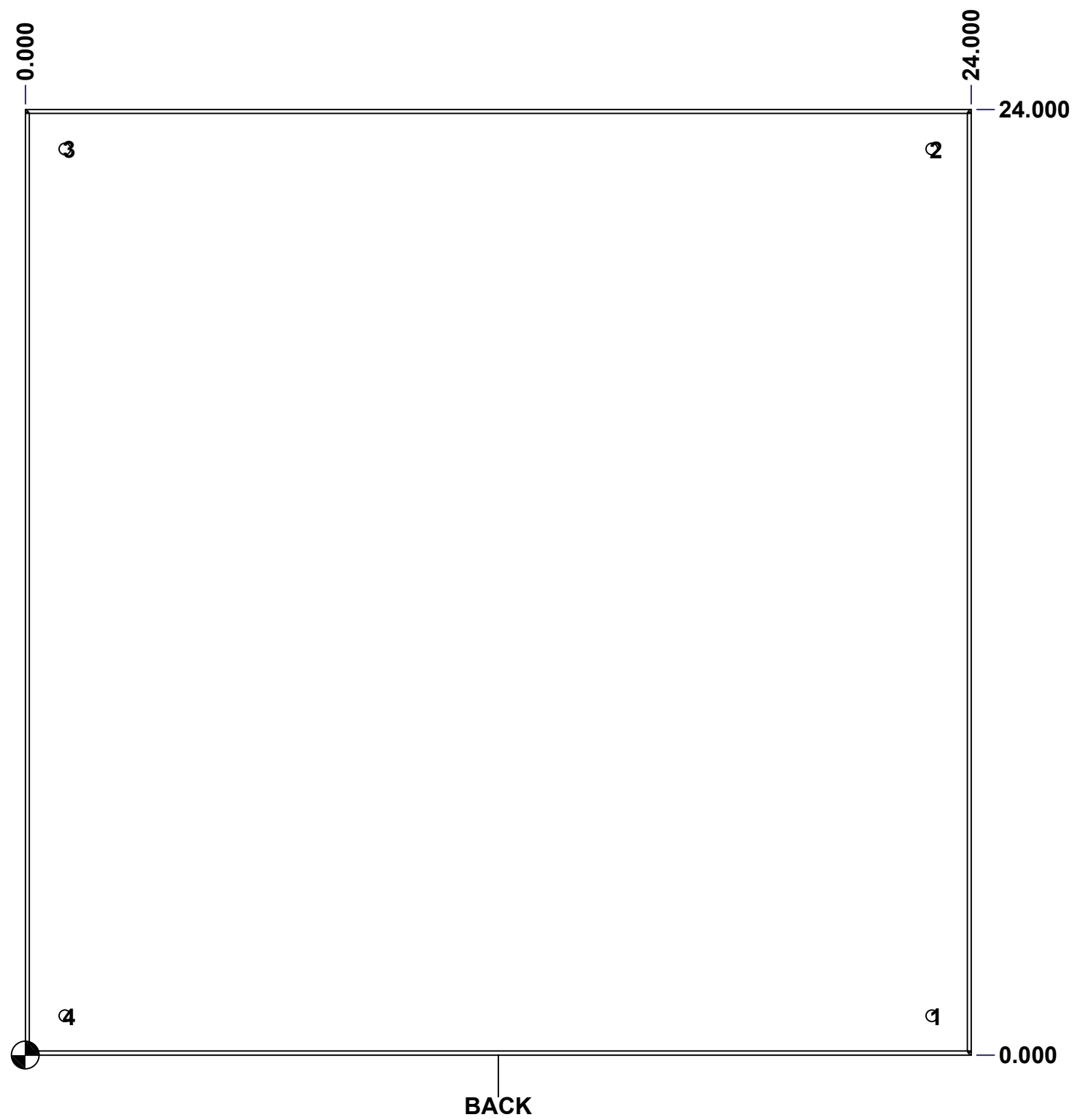
|   |                       |
|---|-----------------------|
| Customer Client   | Date                  |
| Drawn By / Dessiné Par: BoxCad: BoxCad                        | Date: 23-Jun-17       |
| Material / Matière: 14 Ga Cold Rolled A1008 CS Type B (1.7mm) |                       |
| Color / Couleur: Asa-61 Grey                                  | Finish / Fini: Smooth |
| Description: 1100DF 24" x 24" x 8" Body                       |                       |
| Detail Rev.   |                       |
| Part Number / Numéro Pièce: 1100DF242408B                     | Rev. 0                |
|   | 3 / 7                 |

SEE BILL OF MATERIAL ON LAST PAGE

This drawing is confidential and must not be reproduced or used without the consent of EXM

Ce dessin est confidentiel et ne doit pas être reproduit ou utilisé sans le consentement de EXM

| STANDARD FEATURES ARE NOT LISTED IN THIS HOLE TABLE |        |        |             |
|---|--------|--------|-------------|
| HOLE TABLE - BACK VIEW (CUSTOM FEATURE ONLY)        |        |        |             |
| CUT-OUT   | XDIM   | YDIM   | DESCRIPTION |
| 1   | 23.000 | 1.000  | RND Ø0.290  |
| 2   | 23.000 | 23.000 | RND Ø0.290  |
| 3   | 1.000  | 23.000 | RND Ø0.290  |
| 4   | 1.000  | 1.000  | RND Ø0.290  |

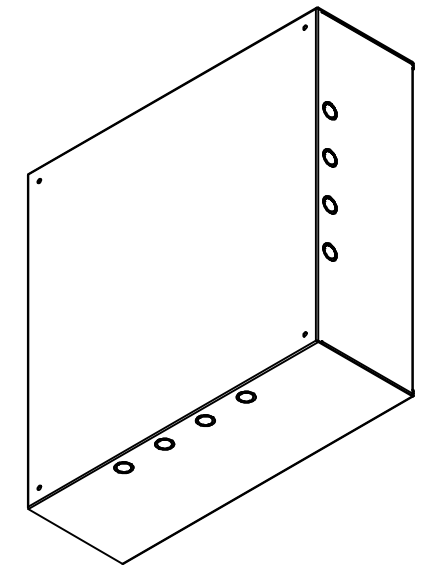


|  |   |                        |
|--|---|------------------------|
|  | Description<br>1100DF 24" x 24" x 8" Body           | Status<br>(NULL)       |
|  | Part Number<br>Numéro Pièce<br><b>1100DF242408B</b> | Rev. 4<br><b>0</b> / 7 |

This drawing is confidential and must not be reproduced or used without the consent of EXM

Ce dessin est confidentiel et ne doit pas être reproduit ou utilisé sans le consentement de EXM

| No. | Revisions | Date | By/Par |
|-----|-----------|------|--------|
|     |           |      |        |
|     |           |      |        |
|     |           |      |        |
|     |           |      |        |
|     |           |      |        |



Isometric View

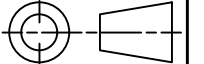


Tél: (450) 979-4373  
 Fax: (450) 979-4626  
[www.exmweb.com](http://www.exmweb.com)

Flatness  
Aplatissement

Max 3.0mm

Projection



|   |                 |
|---|-----------------|
| Customer Client   | Date            |
| Drawn By / Dessiné Par: BoxCad: BoxCad                        | Date: 23-Jun-17 |
| Material / Matière: 14 Ga Cold Rolled A1008 CS Type B (1.7mm) |                 |

|                              |                       |
|------------------------------|-----------------------|
| Color / Couleur: Asa-61 Grey | Finish / Fini: Smooth |
|------------------------------|-----------------------|

|   |             |
|---|-------------|
| Description: 1100DF 24" x 24" x 8" Body | Detail Rev. |
|---|-------------|

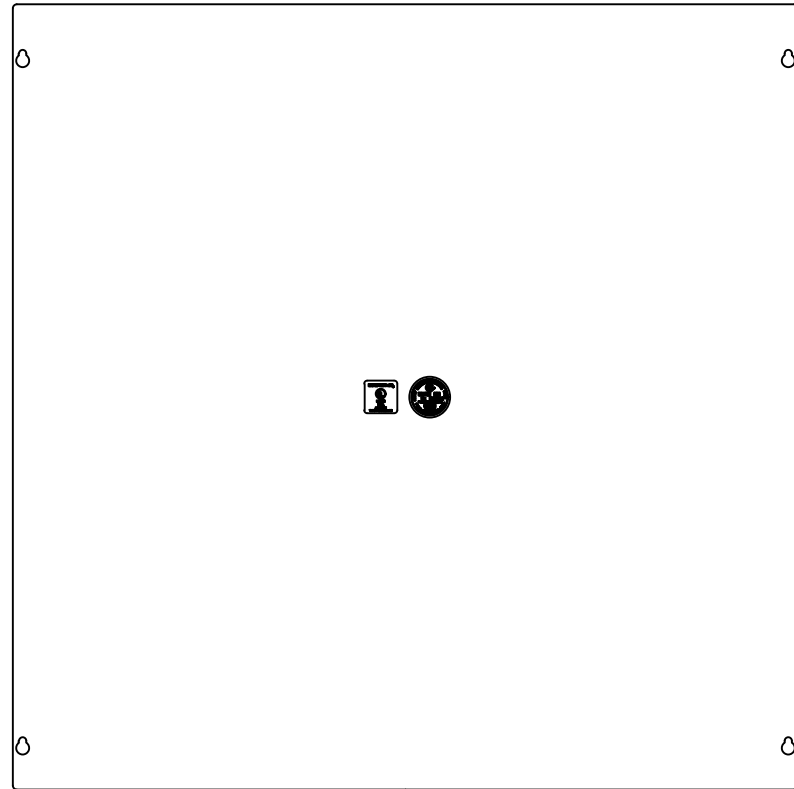
| Qty        | Part Number     | Rev | Description                         |
|------------|-----------------|-----|-------------------------------------|
| 1          | STK-P-02400S    | 0   | Powder Paint (Asa-61 Grey / Smooth) |
| 1          | 1100DF242408B-P | 0   | 1100DF 24" x 24" x 8" Body Part     |
| Parts List |                 |     |                                     |

|  |        |       |
|--|--------|-------|
| Part Number / Numéro Pièce: <b>1100DF242408B</b> | Rev. 0 | 5 / 7 |
|--|--------|-------|

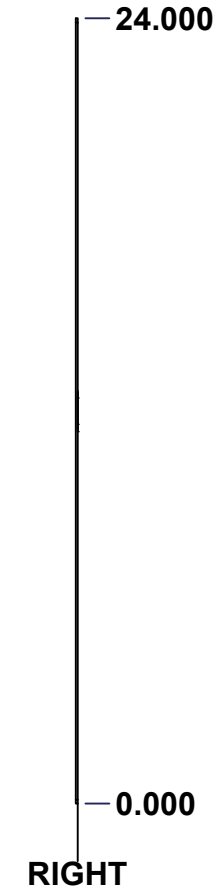
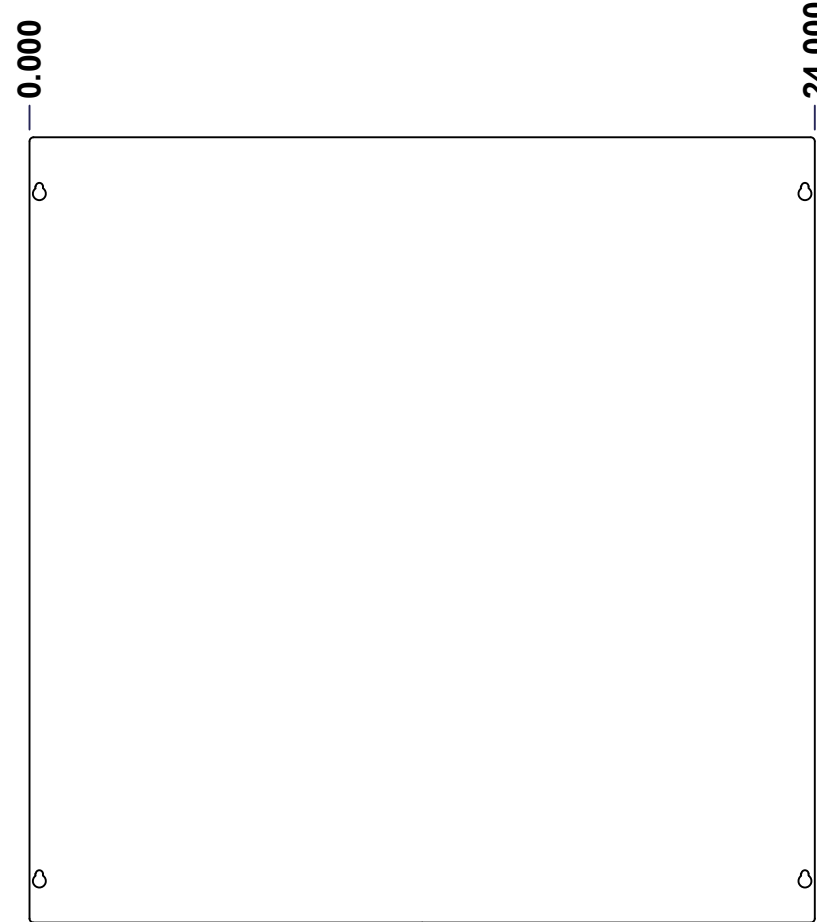
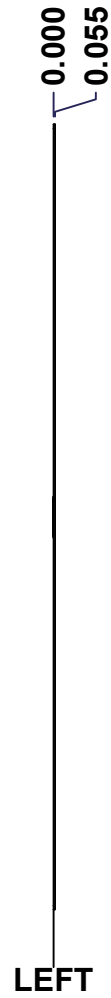
This drawing is confidential and must not be reproduced or used without the consent of EXM

Ce dessin est confidentiel et ne doit pas être reproduit ou utilisé sans le consentement de EXM

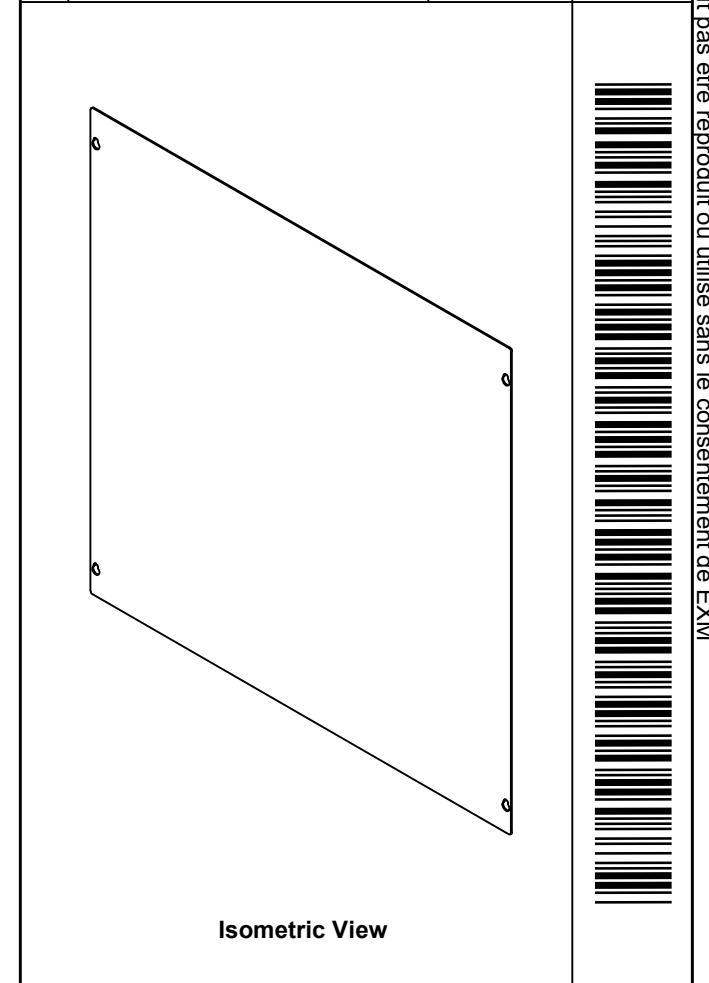
TOP


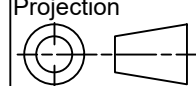


BACK



| No. | Revisions | Date | By/Par |
|-----|-----------|------|--------|
|     |           |      |        |
|     |           |      |        |
|     |           |      |        |
|     |           |      |        |



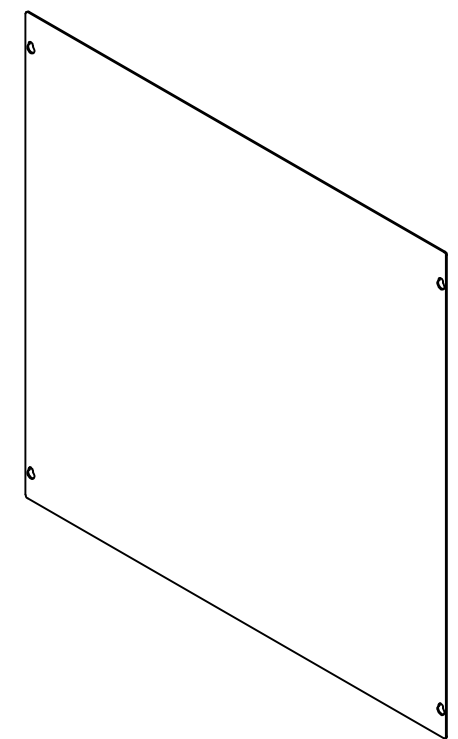
|  |   |   |
|--|---|---|
|  Tél: (450) 979-4373<br>Fax: (450) 979-4626<br><a href="http://www.exmweb.com">www.exmweb.com</a> |   | Flatness<br>Aplatissement<br>Max 3.0mm<br>Projection<br> |
| Customer Client  | Date                                      |   |
| Drawn By<br>Dessiné Par  | BoxCad: BoxCad                            | Date 23-Jun-17  |
| Material<br>Matière  | 16 Ga Cold Rolled A1008 CS Type B (1.4mm) |   |
| Color<br>Couleur   | Asa-61 Grey                               | Finish<br>Fini Smooth   |
| Description<br>1100DF 24" x 24" Cover  |   | Detail Rev.   |
| Part Number<br>Numéro Pièce  | 1100DF242408C                             | Rev. 6<br>0 7   |

SEE BILL OF MATERIAL ON LAST PAGE

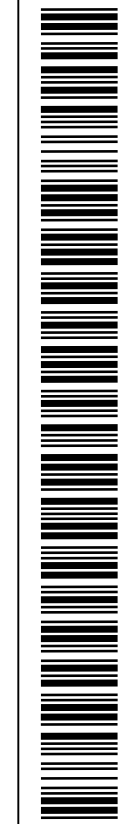
This drawing is confidential and must not be reproduced or used without the consent of EXM


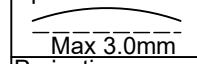
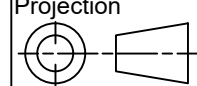
Ce dessin est confidentiel et ne doit pas être reproduit ou utilisé sans le consentement de EXM

| No. | Revisions | Date | By/Par |
|-----|-----------|------|--------|
|     |           |      |        |
|     |           |      |        |
|     |           |      |        |
|     |           |      |        |
|     |           |      |        |



**Isometric View**



|  |                       |  |
|--|-----------------------|--|
|  Tél: (450) 979-4373<br>Fax: (450) 979-4626<br><a href="http://www.exmweb.com">www.exmweb.com</a> |                       | Flatness<br>Aplatissement<br><br>Max 3.0mm<br>Projection<br> |
| Customer Client  | Date                  |  |
| Drawn By / Dessiné Par: BoxCad: BoxCad   | Date: 23-Jun-17       |  |
| Material / Matière: 16 Ga Cold Rolled A1008 CS Type B (1.4mm)  |                       |  |
| Color / Couleur: Asa-61 Grey   | Finish / Fini: Smooth |  |
| Description: 1100DF 24" x 24" Cover  |                       | Detail Rev.  |
| Part Number / Numéro Pièce: <b>1100DF242408C</b>   | Rev.:                 | 7<br><b>0</b><br>7   |

| 1          | STK-S-00950     | 1   | UL 74SL Pull-Box Sticker            |
|------------|-----------------|-----|-------------------------------------|
| 1          | STK-S-00800     | 2   | CSA Electrical Box Sticker          |
| 1          | STK-P-02400S    | 0   | Powder Paint (Asa-61 Grey / Smooth) |
| 1          | 1100DF242408C-P | 0   | 1100DF 24" x 24" Cover Part         |
| QTY        | Part Number     | Rev | Description                         |
| Parts List |                 |     |                                     |