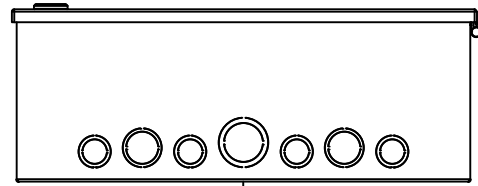
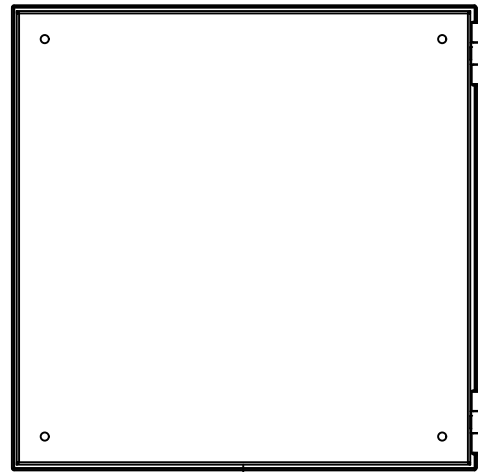


This drawing is confidential and must not be reproduced or used without the consent of EXM

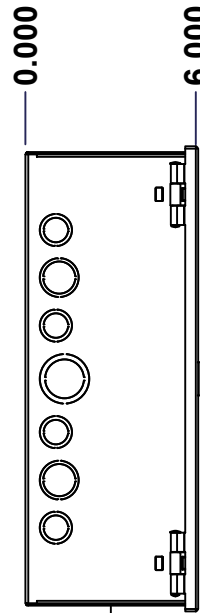
Ce dessin est confidentiel et ne doit pas être reproduit ou utilisé sans le consentement de EXM



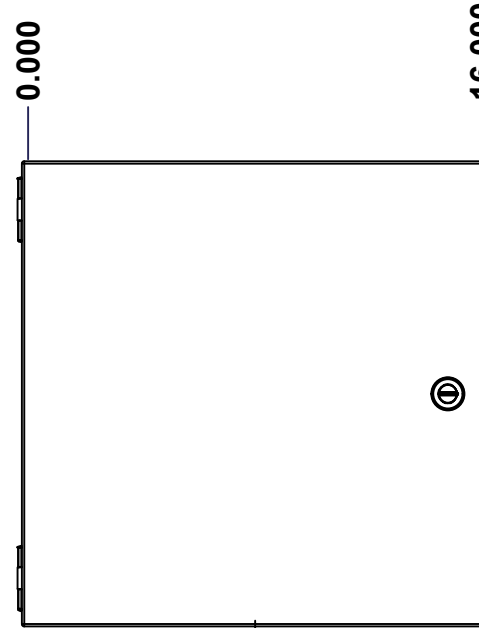
TOP



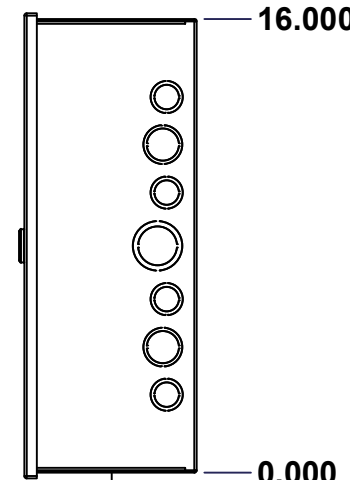
BACK



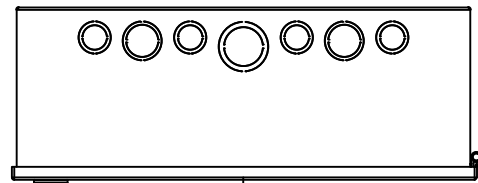
LEFT



FRONT

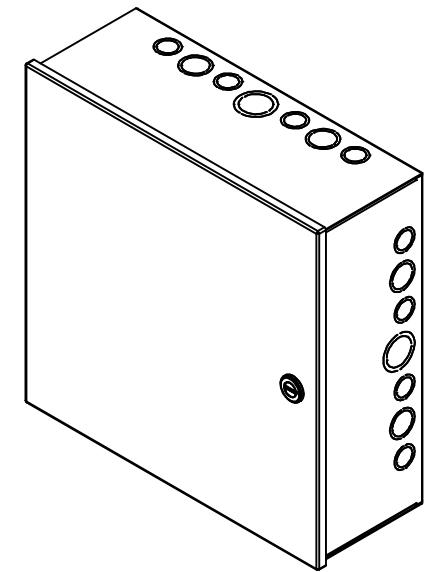


RIGHT



BOTTOM

No.	Revisions	Date	By/Par



Isometric View

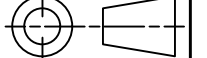


Tél: (450) 979-4373
 Fax: (450) 979-4626
www.exmweb.com

Flatness
Aplatissement

Max 3.0mm

Projection



Customer Client	Date
Drawn By Dessiné Par BoxCad: BoxCad	Date 20-Jun-24
Material Matière 16 Ga Cold Rolled A1008 CS Type B (1.4mm)	

Color Couleur Asa-61 Grey	Finish Fini Smooth
------------------------------	-----------------------

Description 1100EH 16" x 16" x 6" Assembly	Detail Rev.
---	-------------

Part Number Numéro Pièce 1100EH161606	Rev. 0	1	12
--	--------	---	----

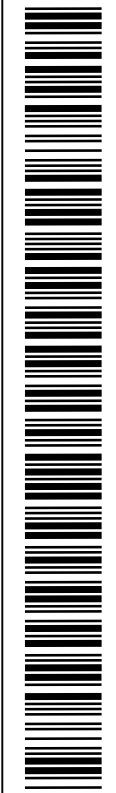
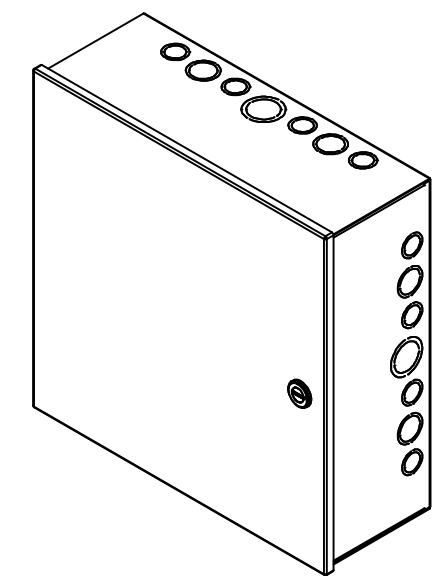
SEE BILL OF MATERIAL ON LAST PAGE

This drawing is confidential and must not be reproduced or used without the consent of EXM

Ce dessin est confidentiel et ne doit pas être reproduit ou utilisé sans le consentement de EXM

NOTE	
ITEM	DESCRIPTION
1	NEMA 1 Enclosure (IP20)
2	C/W Standard ground provision on box and cover
3	W/O Standard door stiffener
4	W/O Inner panel
5	W/O Inner panel mounting provision

No.	Revisions	Date	By/Par



Isometric View



Tél: (450) 979-4373
 Fax: (450) 979-4626
www.exmweb.com

Flatness
Aplatissement
Max 3.0mm
Projection

Customer Client	Date
Drawn By / Dessiné Par: BoxCad: BoxCad	Date: 20-Jun-24
Material / Matière: 16 Ga Cold Rolled A1008 CS Type B (1.4mm)	
Color / Couleur: Asa-61 Grey	Finish / Fini: Smooth

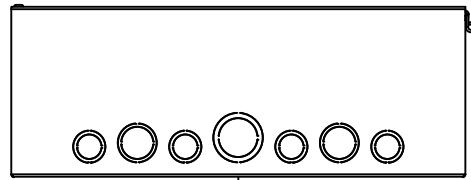
PACKING		
ITEM	QTY	DESCRIPTION
Thermal plastic film	1	Use with Packing Tunnel Wrapper Machine
Packaging label	1	White label with product number

Qty	Part Number	Rev	Description
2	STK-A-33710	0	1100 EH Hinge - 55mm Stainless Steel Press-fit pin
1	1100EH161606C	0	1100EH 16" x 16" Cover
1	1100EH161606B	0	1100EH 16" x 16" x 6" Body
Parts List			

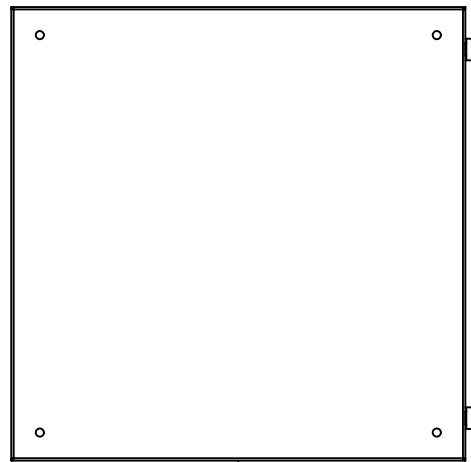
Description: 1100EH 16" x 16" x 6" Assembly	Detail Rev.
Part Number / Numéro Pièce: 1100EH161606	Rev. 0
	2 / 12

This drawing is confidential and must not be reproduced or used without the consent of EXM

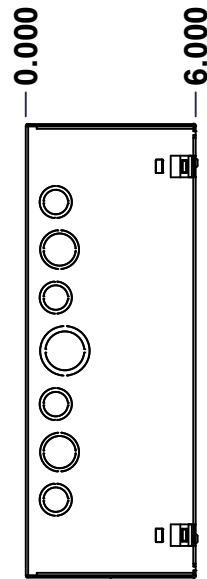
Ce dessin est confidentiel et ne doit pas être reproduit ou utilisé sans le consentement de EXM



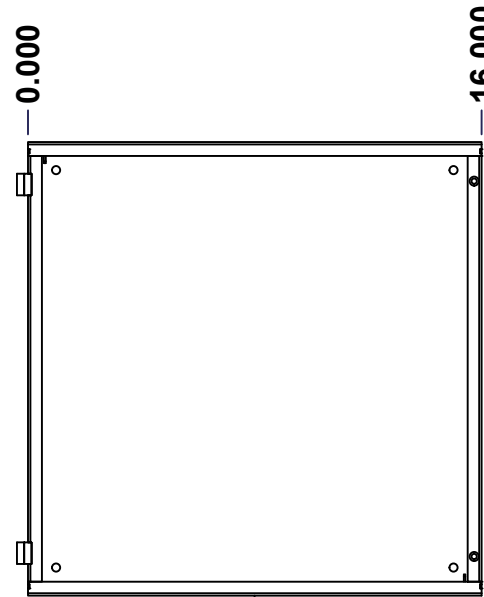
TOP



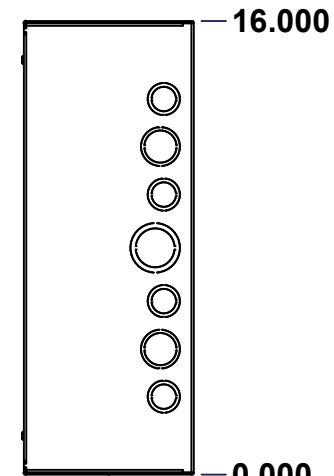
BACK



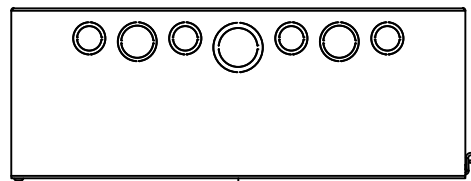
LEFT



FRONT

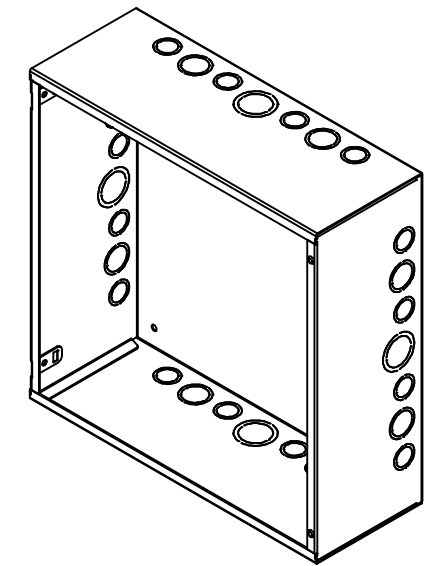


RIGHT



BOTTOM

No.	Revisions	Date	By/Par



Isometric View



Tél: (450) 979-4373
 Fax: (450) 979-4626
www.exmweb.com

Flatness
Aplatissement

Max 3.0mm

Projection



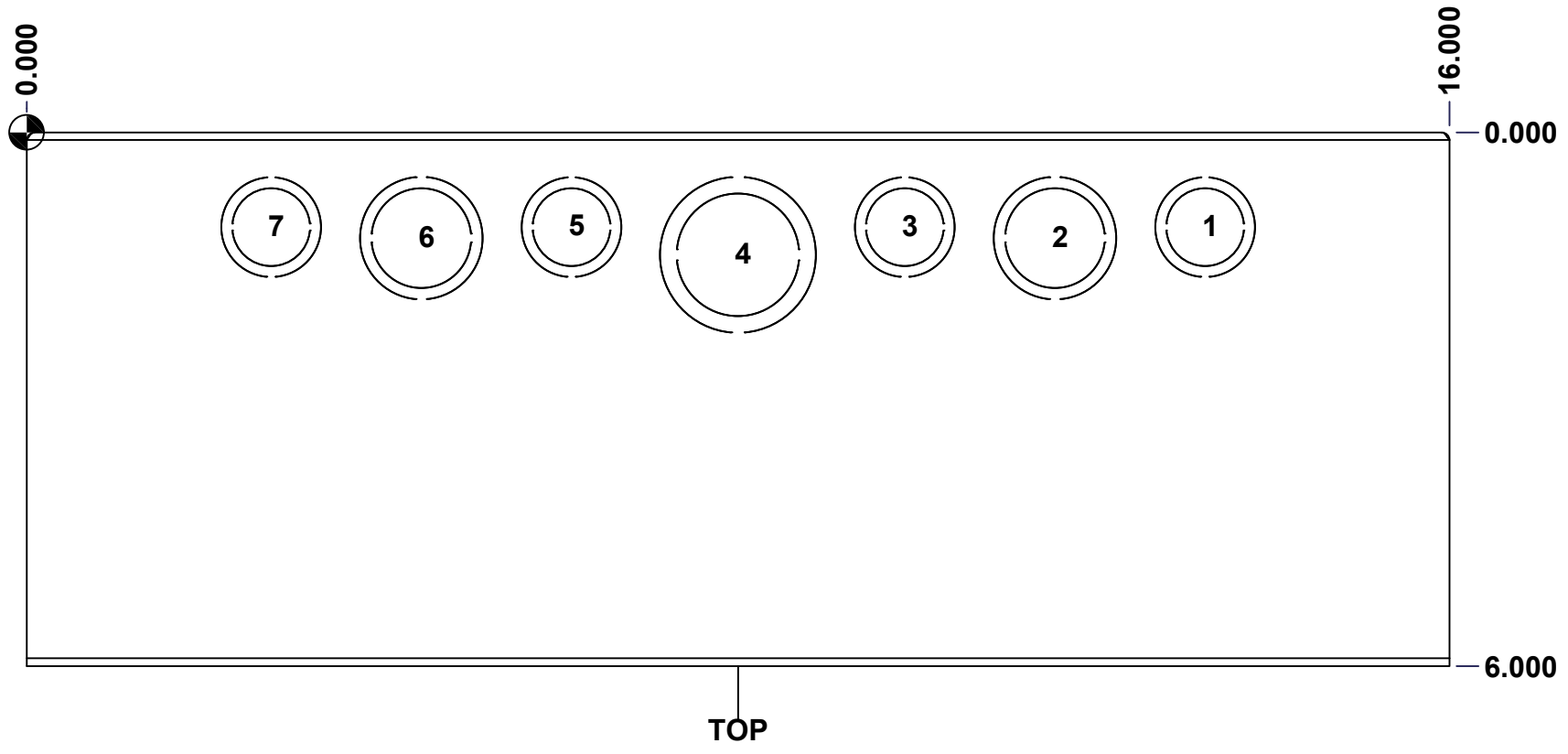
Customer Client	Date
Drawn By Dessiné Par BoxCad: BoxCad	Date 20-Jun-24
Material Matière 16 Ga Cold Rolled A1008 CS Type B (1.4mm)	
Color Couleur Asa-61 Grey	Finish Fini Smooth
Description 1100EH 16" x 16" x 6" Body	Detail Rev.
Part Number Numéro Pièce 1100EH161606B	Rev. 3
	0

SEE BILL OF MATERIAL ON LAST PAGE

This drawing is confidential and must not be reproduced or used without the consent of EXM

Ce dessin est confidentiel et ne doit pas être reproduit ou utilisé sans le consentement de EXM

STANDARD FEATURES ARE NOT LISTED IN THIS HOLE TABLE			
HOLE TABLE - TOP VIEW (CUSTOM FEATURE ONLY)			
CUT-OUT	XDIM	YDIM	DESCRIPTION
1	13.251	1.063	DKO Ø1.125 - 0.875
2	11.563	1.188	DKO Ø1.375 - 1.125
3	9.875	1.063	DKO Ø1.125 - 0.875
4	8.000	1.375	DKO Ø1.750 - 1.375
5	6.125	1.063	DKO Ø1.125 - 0.875
6	4.437	1.188	DKO Ø1.375 - 1.125
7	2.749	1.063	DKO Ø1.125 - 0.875



	Description 1100EH 16" x 16" x 6" Body	Status (NULL)
	Part Number Numéro Pièce 1100EH161606B	Rev. 4 0

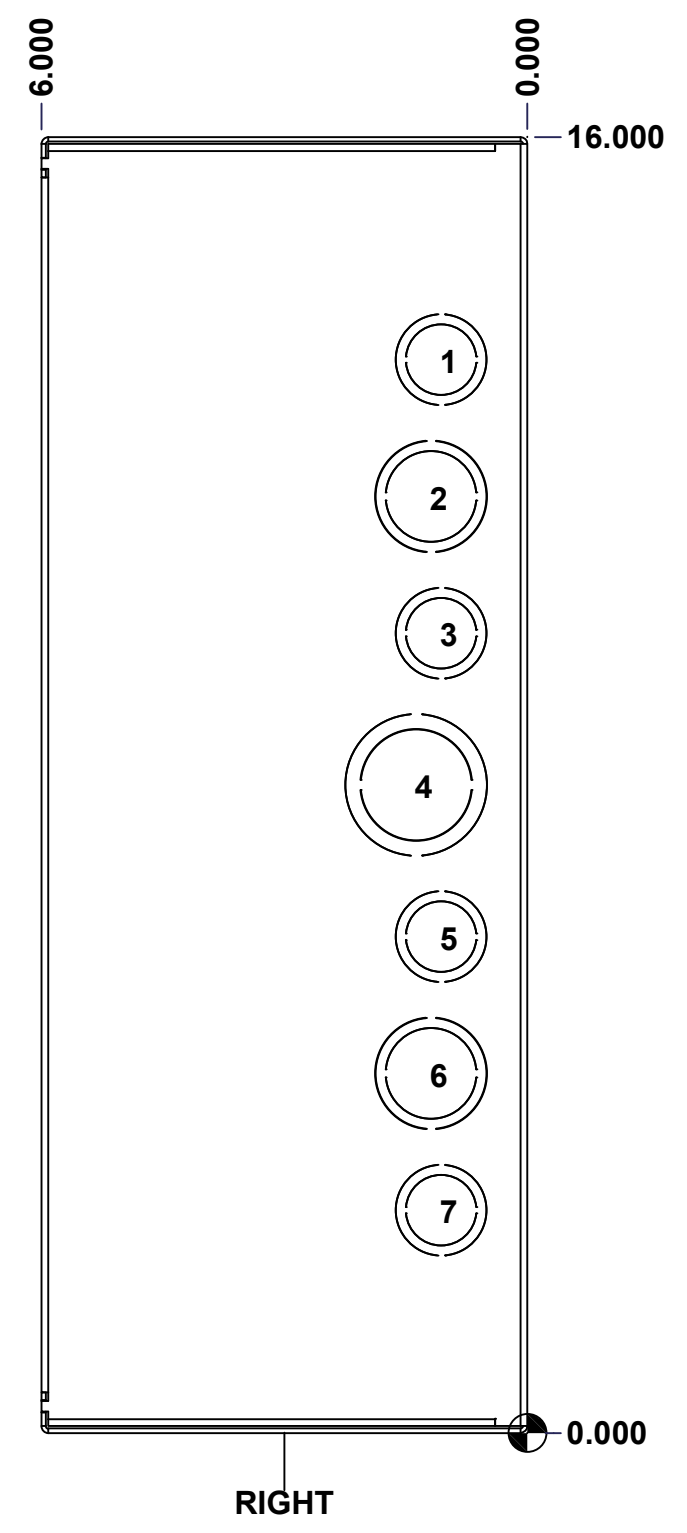
This drawing is confidential and must not be reproduced or used without the consent of EXM

Ce dessin est confidentiel et ne doit pas être reproduit ou utilisé sans le consentement de EXM

STANDARD FEATURES ARE NOT LISTED IN THIS HOLE TABLE

HOLE TABLE - RIGHT VIEW (CUSTOM FEATURE ONLY)

CUT-OUT	XDIM	YDIM	DESCRIPTION
1	1.063	13.251	DKO Ø1.125 - 0.875
2	1.188	11.563	DKO Ø1.375 - 1.125
3	1.063	9.875	DKO Ø1.125 - 0.875
4	1.375	8.000	DKO Ø1.750 - 1.375
5	1.063	6.125	DKO Ø1.125 - 0.875
6	1.188	4.437	DKO Ø1.375 - 1.125
7	1.063	2.749	DKO Ø1.125 - 0.875



	Description 1100EH 16" x 16" x 6" Body	Status (NULL)
	Part Number Numéro Pièce 1100EH161606B	Rev. 5 0

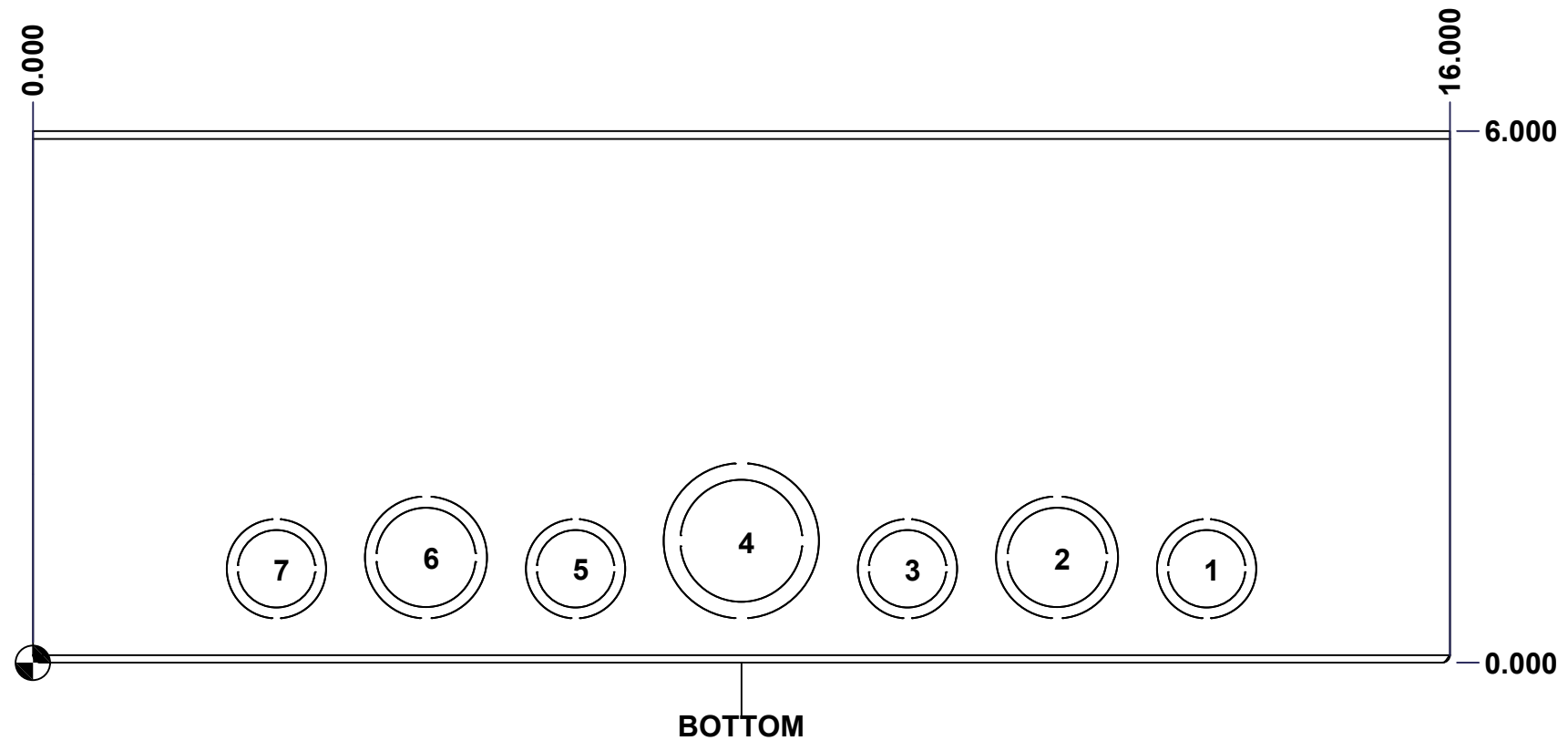
This drawing is confidential and must not be reproduced or used without the consent of EXM

Ce dessin est confidentiel et ne doit pas être reproduit ou utilisé sans le consentement de EXM

STANDARD FEATURES ARE NOT LISTED IN THIS HOLE TABLE

HOLE TABLE - BOTTOM VIEW (CUSTOM FEATURE ONLY)

CUT-OUT	XDIM	YDIM	DESCRIPTION
1	13.251	1.063	DKO Ø1.125 - 0.875
2	11.563	1.188	DKO Ø1.375 - 1.125
3	9.875	1.063	DKO Ø1.125 - 0.875
4	8.000	1.375	DKO Ø1.750 - 1.375
5	6.125	1.063	DKO Ø1.125 - 0.875
6	4.437	1.188	DKO Ø1.375 - 1.125
7	2.749	1.063	DKO Ø1.125 - 0.875



	Description 1100EH 16" x 16" x 6" Body	Status (NULL)
	Part Number Numéro Pièce 1100EH161606B	Rev. 6 0

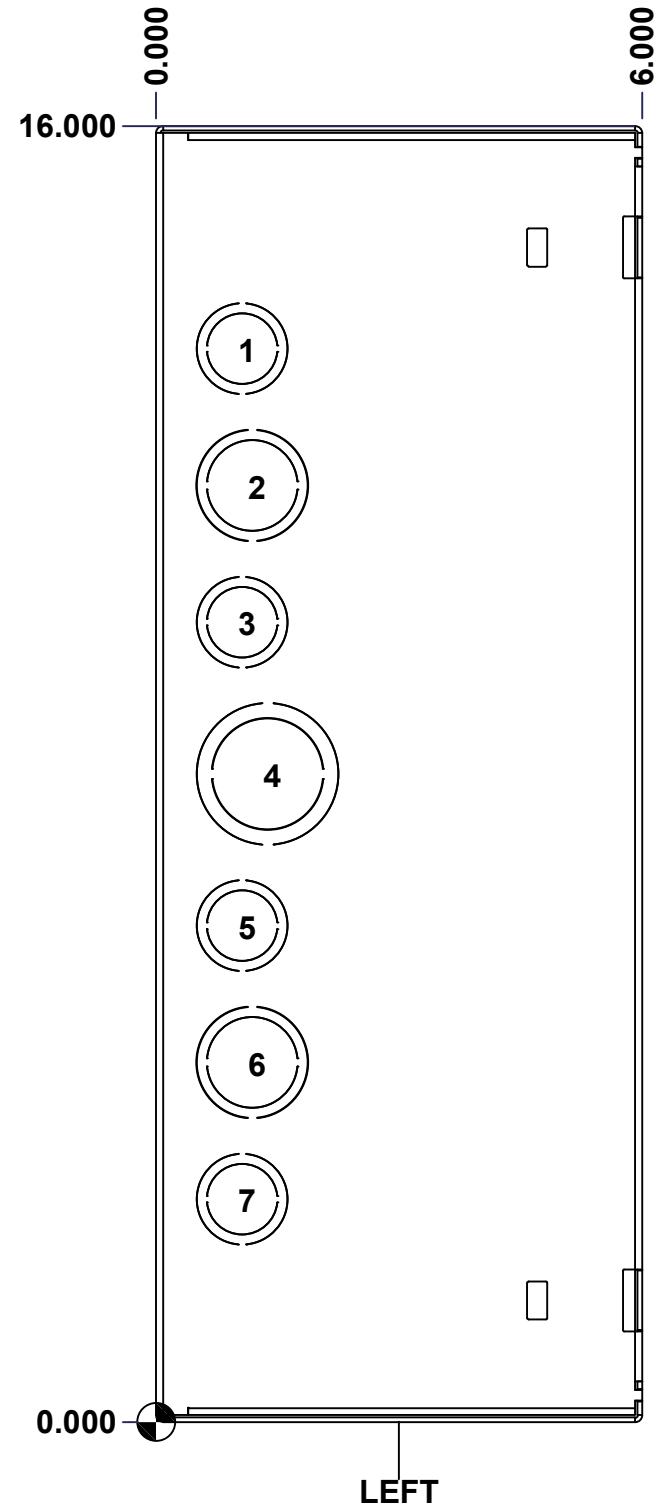
This drawing is confidential and must not be reproduced or used without the consent of EXM

Ce dessin est confidentiel et ne doit pas être reproduit ou utilisé sans le consentement de EXM

STANDARD FEATURES ARE NOT LISTED IN THIS HOLE TABLE

HOLE TABLE - LEFT VIEW (CUSTOM FEATURE ONLY)

CUT-OUT	XDIM	YDIM	DESCRIPTION
1	1.063	13.251	DKO Ø1.125 - 0.875
2	1.188	11.563	DKO Ø1.375 - 1.125
3	1.063	9.875	DKO Ø1.125 - 0.875
4	1.375	8.000	DKO Ø1.750 - 1.375
5	1.063	6.125	DKO Ø1.125 - 0.875
6	1.188	4.437	DKO Ø1.375 - 1.125
7	1.063	2.749	DKO Ø1.125 - 0.875

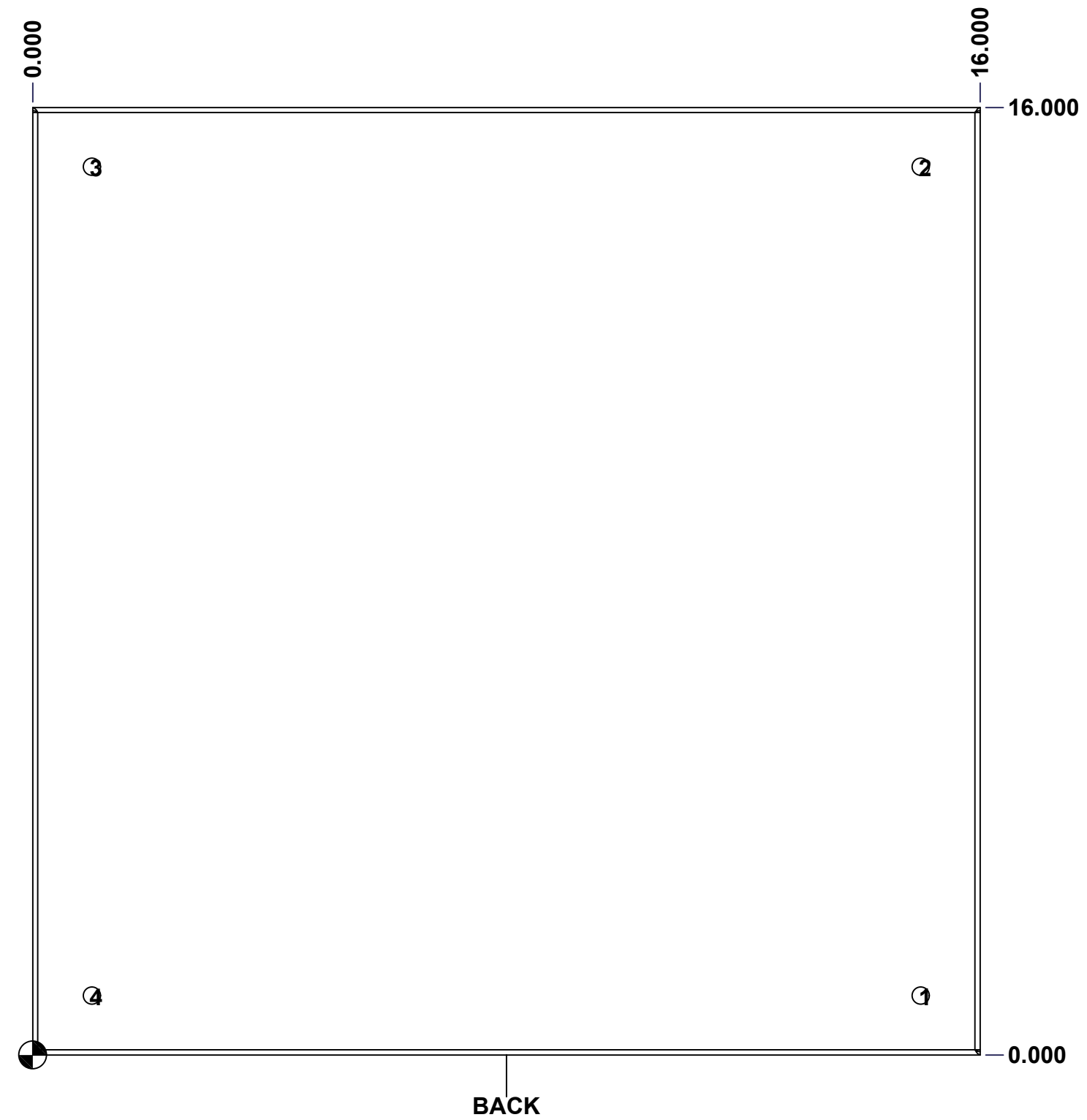


	Description 1100EH 16" x 16" x 6" Body	Status (NULL)
	Part Number Numéro Pièce 1100EH161606B	Rev. 7 0

This drawing is confidential and must not be reproduced or used without the consent of EXM

Ce dessin est confidentiel et ne doit pas être reproduit ou utilisé sans le consentement de EXM

STANDARD FEATURES ARE NOT LISTED IN THIS HOLE TABLE			
HOLE TABLE - BACK VIEW (CUSTOM FEATURE ONLY)			
CUT-OUT	XDIM	YDIM	DESCRIPTION
1	15.000	1.000	RND Ø0.290
2	15.000	15.000	RND Ø0.290
3	1.000	15.000	RND Ø0.290
4	1.000	1.000	RND Ø0.290

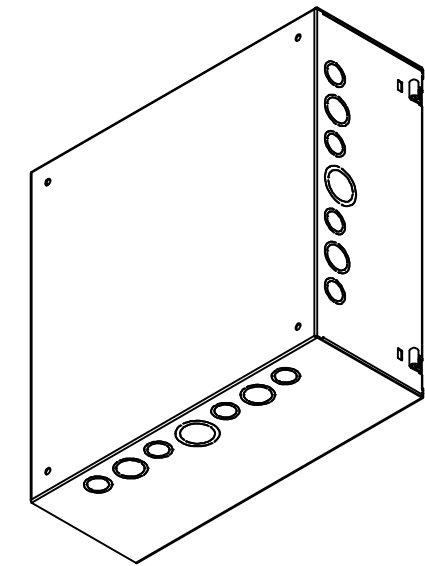


	Description 1100EH 16" x 16" x 6" Body	Status (NULL)
	Part Number Numéro Pièce 1100EH161606B	Rev. 8 0

This drawing is confidential and must not be reproduced or used without the consent of EXM


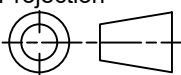
Ce dessin est confidentiel et ne doit pas être reproduit ou utilisé sans le consentement de EXM

No.	Revisions	Date	By/Par



Isometric View

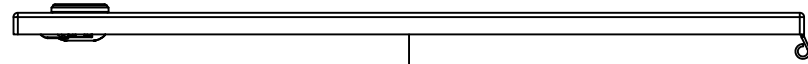


 Tél: (450) 979-4373 Fax: (450) 979-4626 www.exmweb.com	Flatness Aplatissement	Max 3.0mm
	Projection	
Customer Client	Date	
Drawn By Dessiné Par	BoxCad: BoxCad	Date 20-Jun-24
Material Matière	16 Ga Cold Rolled A1008 CS Type B (1.4mm)	
Color Couleur	Asa-61 Grey	Finish Fini Smooth
Description		Detail Rev.
1100EH 16" x 16" x 6" Body		
Part Number Numéro Pièce	Rev.	9
1100EH161606B	0	12

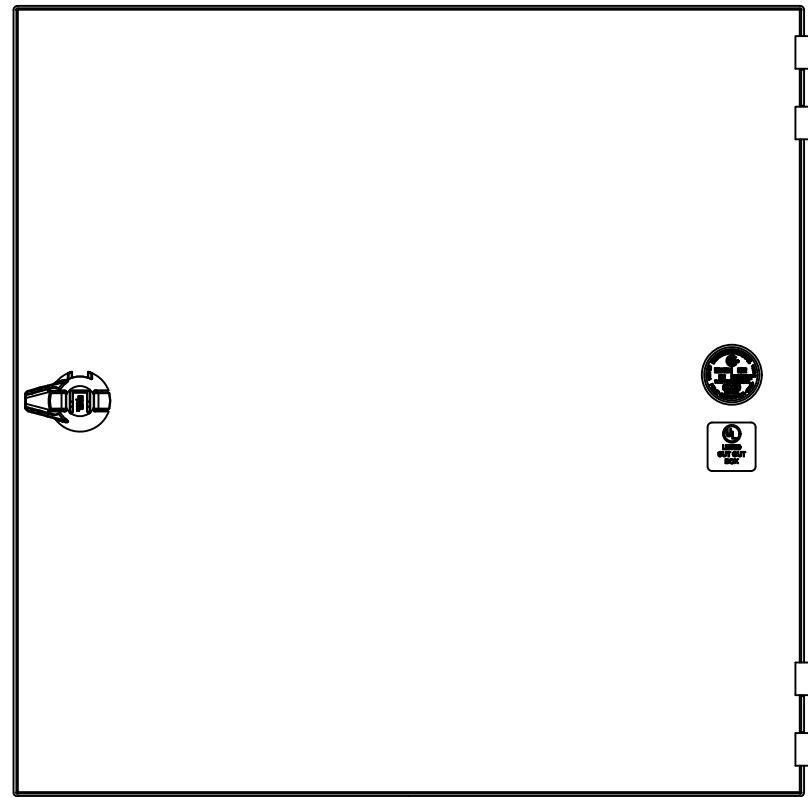
Qty	Part Number	Rev	Description
1	STK-P-02400S	0	Powder Paint (Asa-61 Grey / Smooth)
2	STK-Q-77110	1	5412 ES Cover Plastic Plug
2	STK-Q-33410-P	5	1100 MC Left Side Hinge
1	1100EH161606B-P	0	1100EH 16" x 16" x 6" Body Part
Parts List			

This drawing is confidential and must not be reproduced or used without the consent of EXM

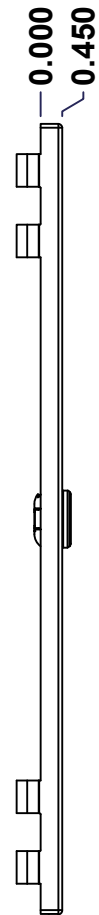
Ce dessin est confidentiel et ne doit pas être reproduit ou utilisé sans le consentement de EXM



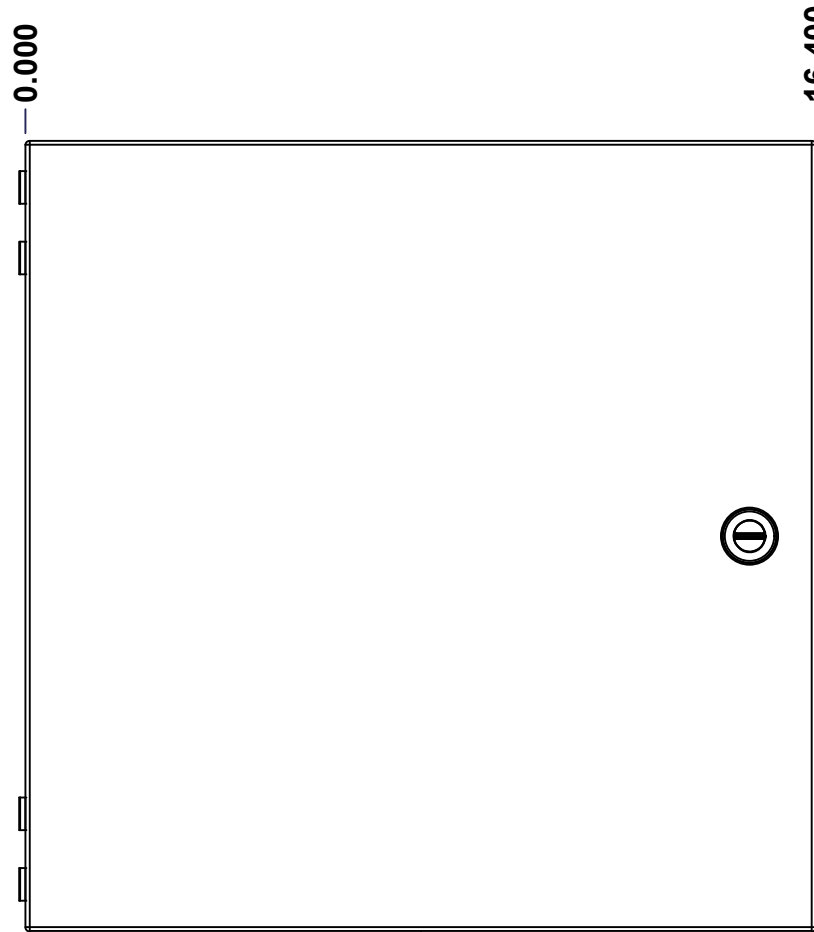
TOP



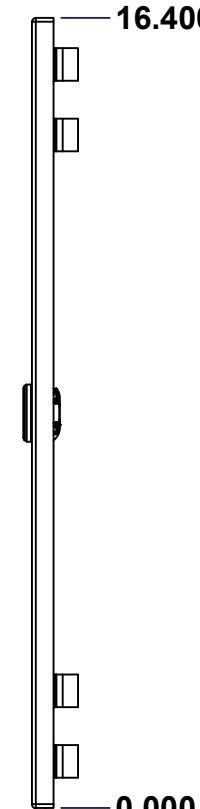
BACK



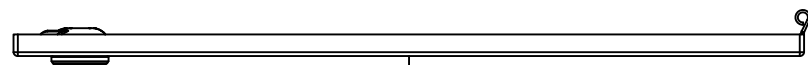
LEFT



FRONT

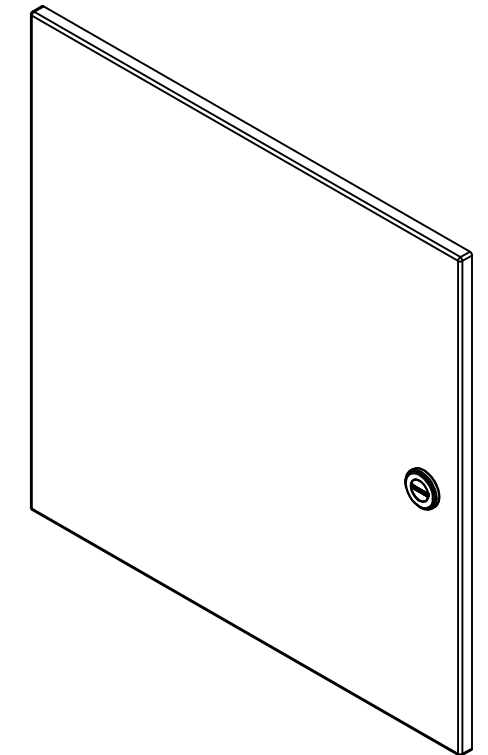


RIGHT



BOTTOM

No.	Revisions	Date	By/Par



Isometric View

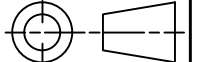


Tél: (450) 979-4373
 Fax: (450) 979-4626
www.exmweb.com

Flatness
Aplatissement

Max 3.0mm

Projection



Customer Client	Date
Drawn By Dessiné Par BoxCad: BoxCad	Date 20-Jun-24
Material Matière 16 Ga Cold Rolled A1008 CS Type B (1.4mm)	

Color Couleur Asa-61 Grey	Finish Fini Smooth
------------------------------	-----------------------

Description 1100EH 16" x 16" Cover	Detail Rev.
---------------------------------------	-------------

Part Number Numéro Pièce 1100EH161606C	Rev. 0	10	12
--	---------------	----	----

SEE BILL OF MATERIAL ON LAST PAGE

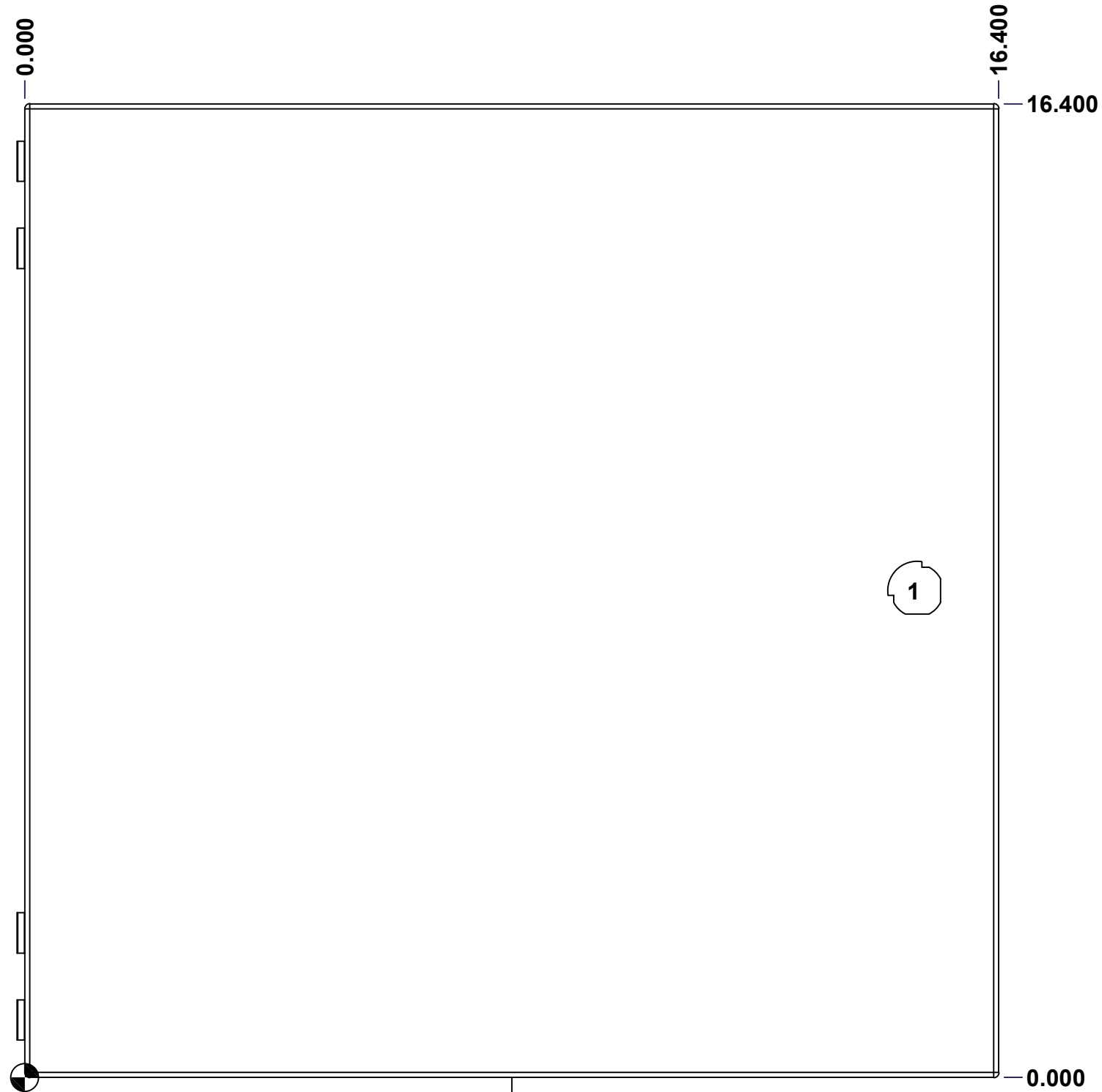
This drawing is confidential and must not be reproduced or used without the consent of EXM

Ce dessin est confidentiel et ne doit pas être reproduit ou utilisé sans le consentement de EXM

STANDARD FEATURES ARE NOT LISTED IN THIS HOLE TABLE

HOLE TABLE - FRONT VIEW (CUSTOM FEATURE ONLY)

CUT-OUT	XDIM	YDIM	DESCRIPTION
1	15.025	8.200	LOCK 880 SCQ1-SL @ 0.0°



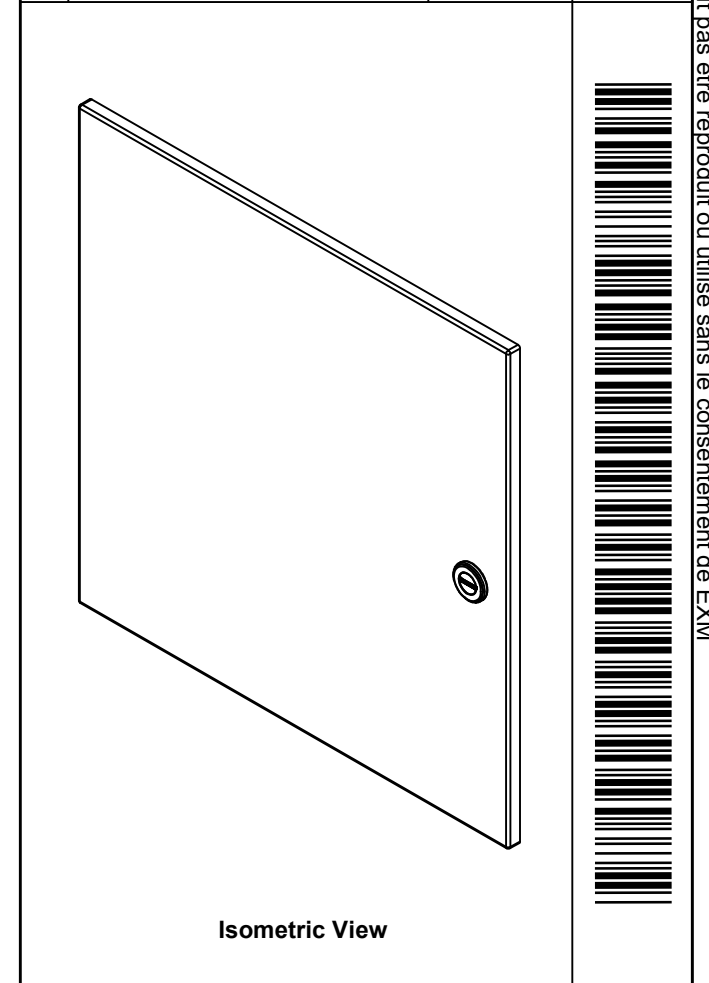
FRONT


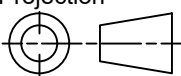
	Description	Status	
	1100EH 16" x 16" Cover	(NULL)	
	Part Number Numéro Pièce	Rev.	
	1100EH161606C	0	11 12

This drawing is confidential and must not be reproduced or used without the consent of EXM

Ce dessin est confidentiel et ne doit pas être reproduit ou utilisé sans le consentement de EXM

No.	Revisions	Date	By/Par



 Tél: (450) 979-4373 Fax: (450) 979-4626 www.exmweb.com		Flatness Aplatissement Max 3.0mm Projection 
Customer Client	Date	
Drawn By Dessiné Par	BoxCad: BoxCad	Date 20-Jun-24
Material Matière	16 Ga Cold Rolled A1008 CS Type B (1.4mm)	
Color Couleur	Asa-61 Grey	Finish Fini Smooth
Description		Detail Rev.
1100EH 16" x 16" Cover		
Part Number Numéro Pièce	Rev.	12
1100EH161606C	0	12

QTY	Part Number	Rev	Description
1	880 SCQ1-SL	0	1100 1/4 Turn Lock
1	STK-S-00900	0	UL Cut-Out Box Sticker
1	STK-S-00800	2	CSA Electrical Box Sticker
1	STK-P-02400S	0	Powder Paint (Asa-61 Grey / Smooth)
1	1100EH161606C-P	0	1100EH 16" x 16" x 6" Cover Part
Parts List			