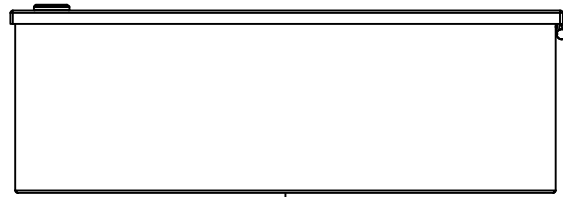
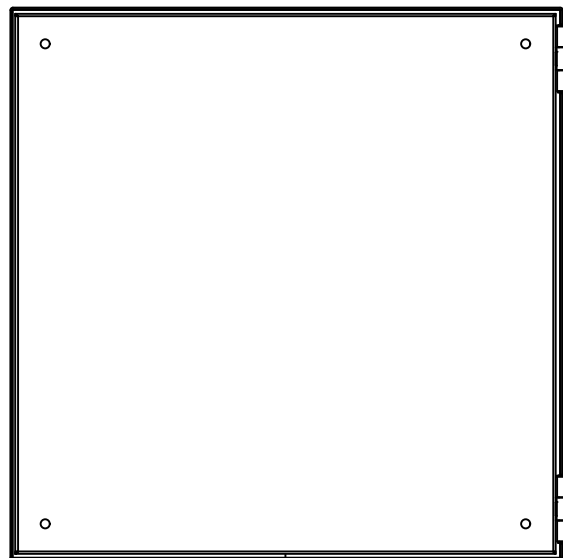


This drawing is confidential and must not be reproduced or used without the consent of EXM

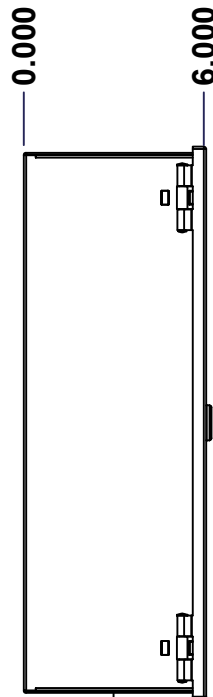
Ce dessin est confidentiel et ne doit pas être reproduit ou utilisé sans le consentement de EXM



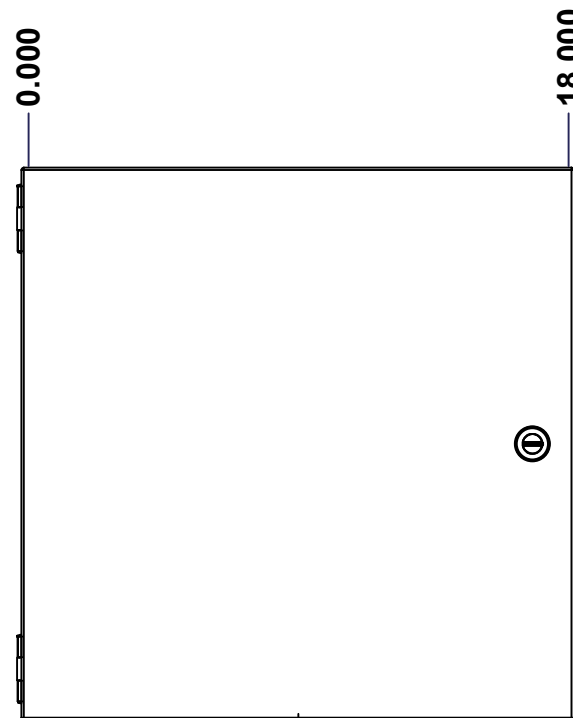
TOP



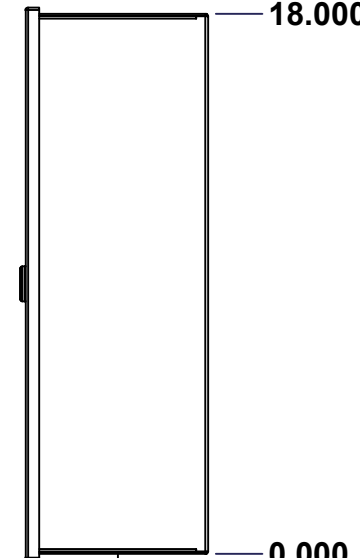
BACK



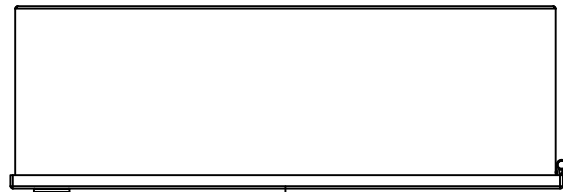
LEFT



FRONT

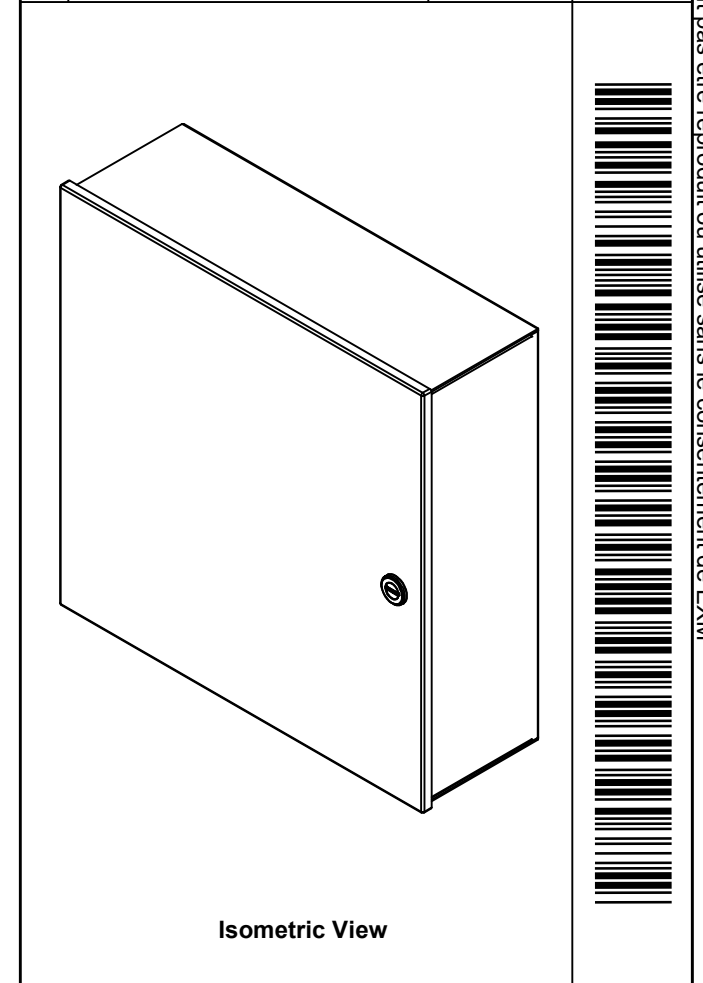



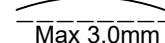
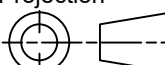
RIGHT



BOTTOM

| No. | Revisions | Date | By/Par |
|-----|-----------|------|--------|
|     |           |      |        |
|     |           |      |        |
|     |           |      |        |
|     |           |      |        |
|     |           |      |        |



|                                                                                                                                                                                        |  |                                                                                                                              |             |
|----------------------------------------------------------------------------------------------------------------------------------------------------------------------------------------|--|------------------------------------------------------------------------------------------------------------------------------|-------------|
|  Tél: (450) 979-4373<br>Fax: (450) 979-4626<br><a href="http://www.exmweb.com">www.exmweb.com</a> |  | Flatness<br>Aplatissement<br> Max 3.0mm |             |
|                                                                                                                                                                                        |  | Projection<br>                          |             |
| Customer Client                                                                                                                                                                        |  | Date                                                                                                                         |             |
| Drawn By / Dessiné Par: BoxCad: BoxCad                                                                                                                                                 |  | Date: 04-Mar-26                                                                                                              |             |
| Material / Matière: 16 Ga Cold Rolled A1008 CS Type B (1.4mm)                                                                                                                          |  |                                                                                                                              |             |
| Color / Couleur: Asa-61 Grey                                                                                                                                                           |  | Finish / Fini: Smooth                                                                                                        |             |
| Description: 1100EHN 18" x 18" x 6" Assembly                                                                                                                                           |  |                                                                                                                              | Detail Rev. |
| Part Number / Numéro Pièce: 1100EH181806N                                                                                                                                              |  | Rev.:                                                                                                                        | 1 / 8       |

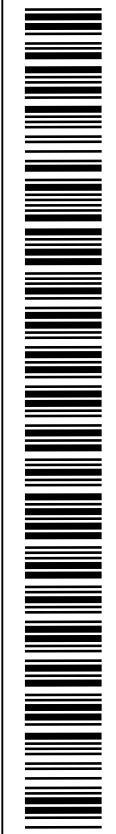
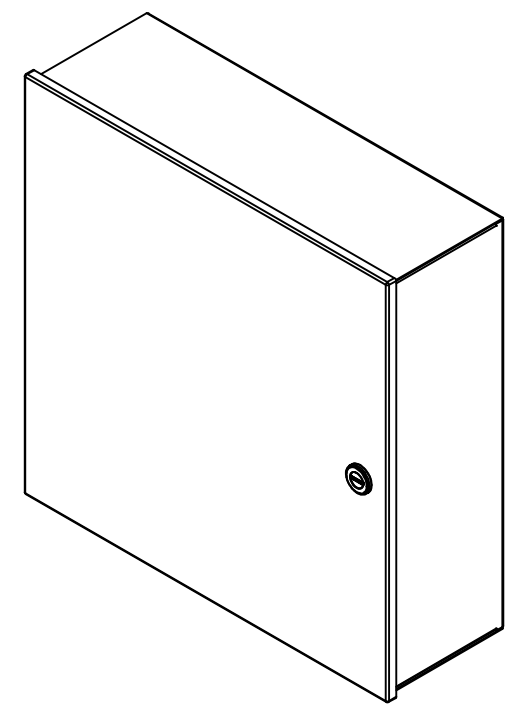
SEE BILL OF MATERIAL ON LAST PAGE

This drawing is confidential and must not be reproduced or used without the consent of EXM

Ce dessin est confidentiel et ne doit pas être reproduit ou utilisé sans le consentement de EXM

| NOTE |                                                |
|------|------------------------------------------------|
| ITEM | DESCRIPTION                                    |
| 1    | NEMA 1 Enclosure (IP20)                        |
| 2    | C/W Standard ground provision on box and cover |
| 3    | W/O Standard door stiffener                    |
| 4    | W/O Inner panel                                |
| 5    | W/O Inner panel mounting provision             |

| No. | Revisions | Date | By/Par |
|-----|-----------|------|--------|
|     |           |      |        |
|     |           |      |        |
|     |           |      |        |
|     |           |      |        |
|     |           |      |        |
|     |           |      |        |



Isometric View



Tél: (450) 979-4373  
 Fax: (450) 979-4626  
[www.exmweb.com](http://www.exmweb.com)

Flatness  
Aplatissement  
Max 3.0mm  
Projection

|                                                               |                       |
|---------------------------------------------------------------|-----------------------|
| Customer Client                                               | Date                  |
| Drawn By / Dessiné Par: BoxCad: BoxCad                        | Date: 04-Mar-26       |
| Material / Matière: 16 Ga Cold Rolled A1008 CS Type B (1.4mm) |                       |
| Color / Couleur: Asa-61 Grey                                  | Finish / Fini: Smooth |

| PACKING              |     |                                         |
|----------------------|-----|-----------------------------------------|
| ITEM                 | QTY | DESCRIPTION                             |
| Thermal plastic film | 1   | Use with Packing Tunnel Wrapper Machine |
| Packaging label      | 1   | White label with product number         |

| Qty | Part Number    | Rev | Description                                        |
|-----|----------------|-----|----------------------------------------------------|
| 2   | STK-A-33710    | 0   | 1100 EH Hinge - 55mm Stainless Steel Press-fit pin |
| 1   | 1100EH181806NC | 0   | 1100EHN 18" x 18" Cover                            |
| 1   | 1100EH181806NB | 0   | 1100EHN 18" x 18" x 6" Body                        |

Parts List

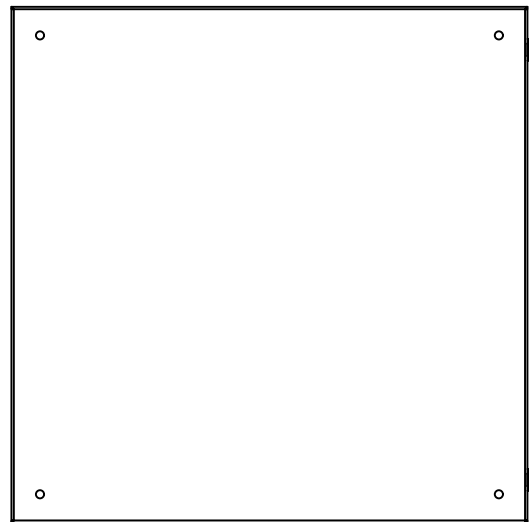
|                                                  |             |
|--------------------------------------------------|-------------|
| Description: 1100EHN 18" x 18" x 6" Assembly     | Detail Rev. |
| Part Number / Numéro Pièce: <b>1100EH181806N</b> | Rev. 0      |
|                                                  | 2 / 8       |

This drawing is confidential and must not be reproduced or used without the consent of EXM

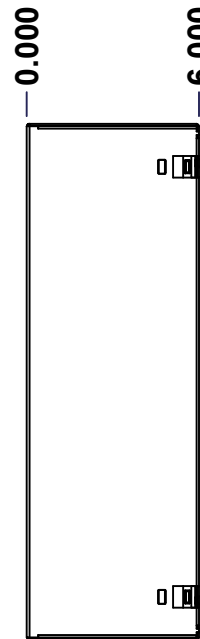
Ce dessin est confidentiel et ne doit pas être reproduit ou utilisé sans le consentement de EXM



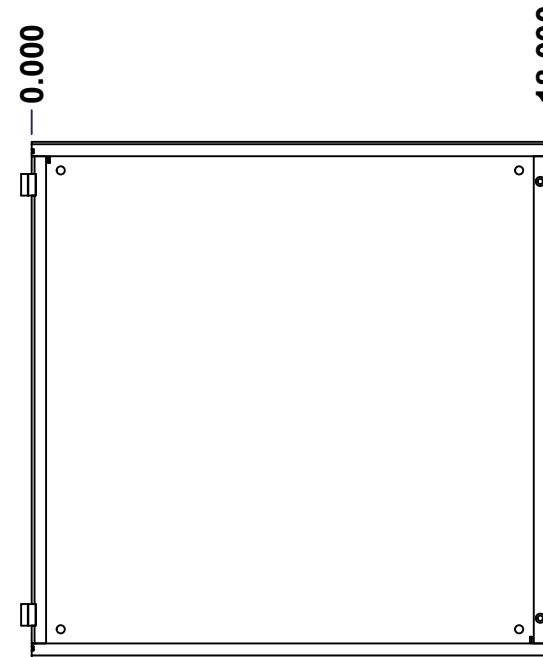
TOP



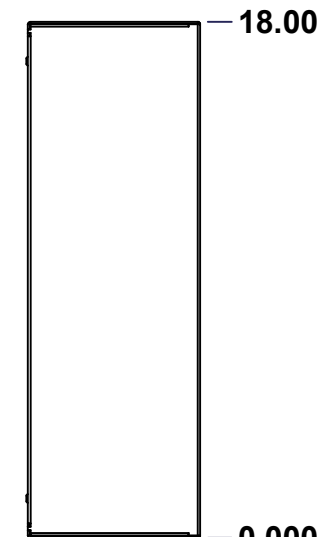
BACK



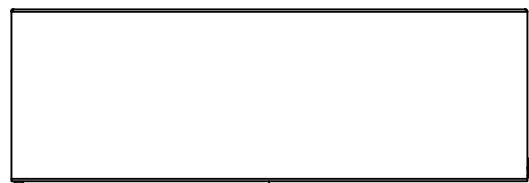
LEFT



FRONT

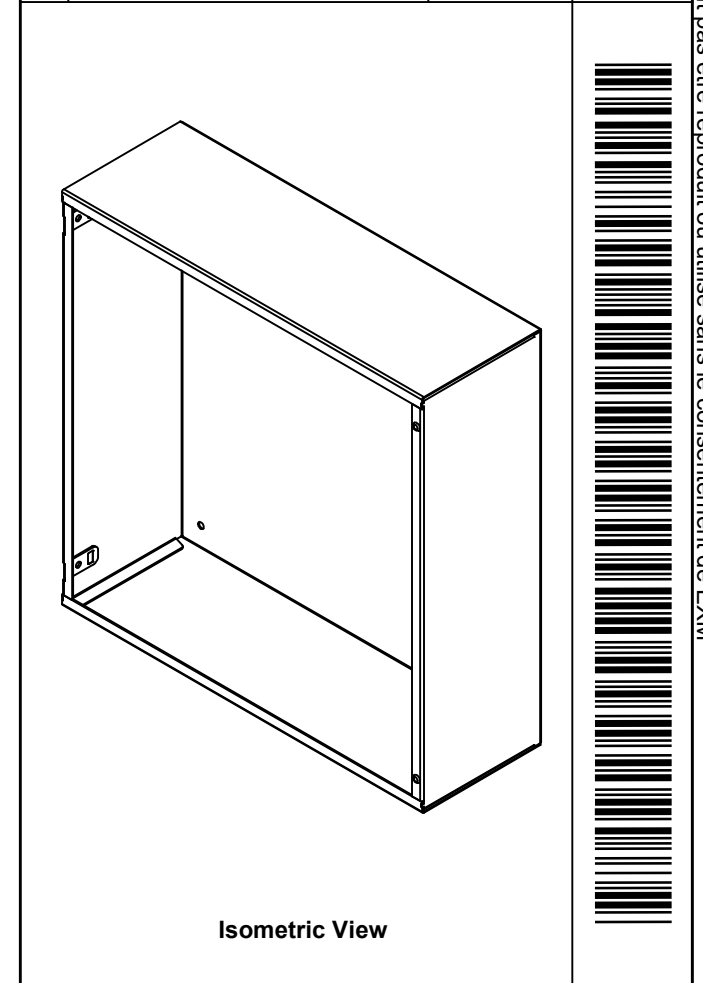


RIGHT


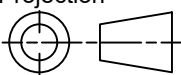


BOTTOM

| No. | Revisions | Date | By/Par |
|-----|-----------|------|--------|
|     |           |      |        |
|     |           |      |        |
|     |           |      |        |
|     |           |      |        |



Isometric View

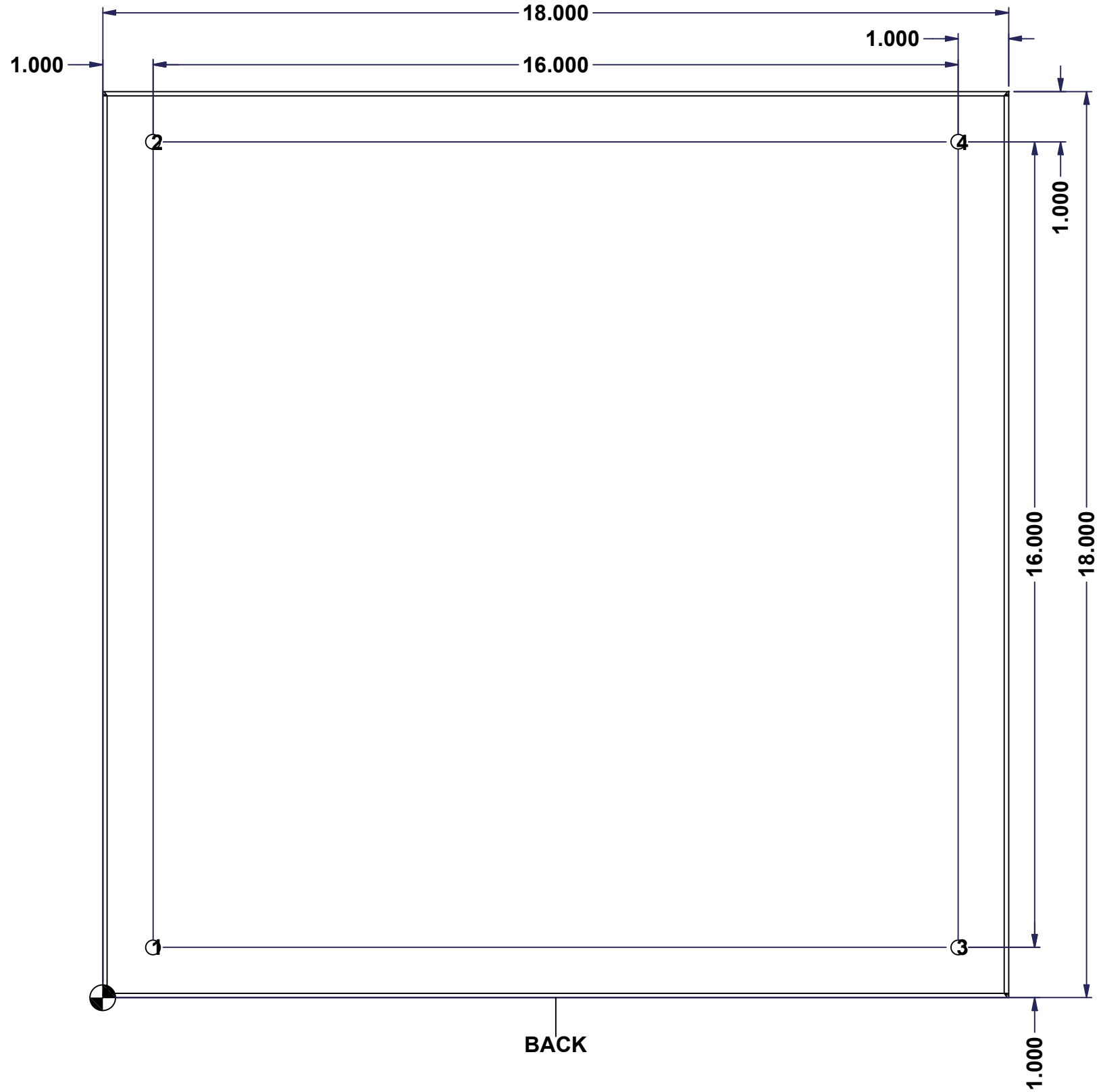
|                                                                                                                                                                                        |                                           |                                                                                                                                               |
|----------------------------------------------------------------------------------------------------------------------------------------------------------------------------------------|-------------------------------------------|-----------------------------------------------------------------------------------------------------------------------------------------------|
|  Tél: (450) 979-4373<br>Fax: (450) 979-4626<br><a href="http://www.exmweb.com">www.exmweb.com</a> |                                           | Flatness<br>Aplatissement<br>Max 3.0mm<br>Projection<br> |
| Customer Client                                                                                                                                                                        | Date                                      |                                                                                                                                               |
| Drawn By<br>Dessiné Par                                                                                                                                                                | BoxCad: BoxCad                            | Date 04-Mar-26                                                                                                                                |
| Material<br>Matière                                                                                                                                                                    | 16 Ga Cold Rolled A1008 CS Type B (1.4mm) |                                                                                                                                               |
| Color<br>Couleur                                                                                                                                                                       | Asa-61 Grey                               | Finish<br>Fini Smooth                                                                                                                         |
| Description                                                                                                                                                                            | Detail Rev.                               |                                                                                                                                               |
| 1100EHN 18" x 18" x 6" Body                                                                                                                                                            |                                           |                                                                                                                                               |
| Part Number<br>Numéro Pièce                                                                                                                                                            | Rev.                                      | 3                                                                                                                                             |
| 1100EH181806NB                                                                                                                                                                         | 0                                         | 8                                                                                                                                             |

SEE BILL OF MATERIAL ON LAST PAGE

This drawing is confidential and must not be reproduced or used without the consent of EXM

Ce dessin est confidentiel et ne doit pas être reproduit ou utilisé sans le consentement de EXM

| STANDARD FEATURES ARE NOT LISTED IN THIS HOLE TABLE |        |        |             |
|-----------------------------------------------------|--------|--------|-------------|
| HOLE TABLE - BACK VIEW (CUSTOM FEATURE ONLY)        |        |        |             |
| CUT-OUT                                             | XDIM   | YDIM   | DESCRIPTION |
| 1                                                   | 1.000  | 1.000  | RND Ø0.290  |
| 2                                                   | 1.000  | 17.000 | RND Ø0.290  |
| 3                                                   | 17.000 | 1.000  | RND Ø0.290  |
| 4                                                   | 17.000 | 17.000 | RND Ø0.290  |



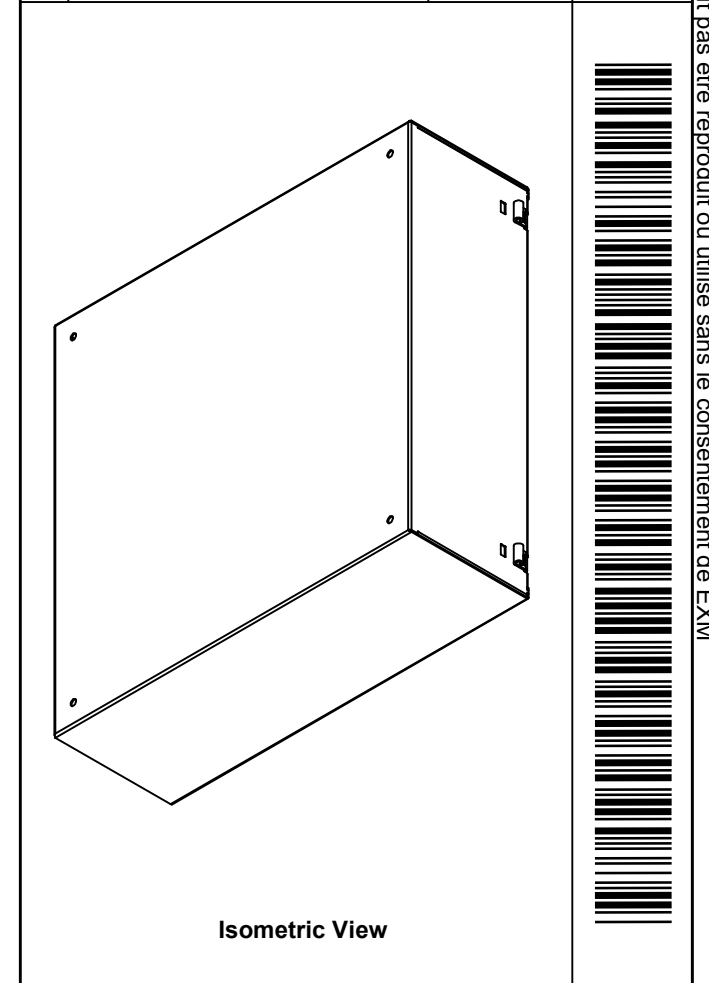
BACK


|                             |                             |        |
|-----------------------------|-----------------------------|--------|
|                             | Description                 | Status |
|                             | 1100EHN 18" x 18" x 6" Body | (NULL) |
| Part Number<br>Numéro Pièce | 1100EH181806NB              | Rev. 4 |
|                             |                             | 0 / 8  |

This drawing is confidential and must not be reproduced or used without the consent of EXM

Ce dessin est confidentiel et ne doit pas être reproduit ou utilisé sans le consentement de EXM

| No. | Revisions | Date | By/Par |
|-----|-----------|------|--------|
|     |           |      |        |
|     |           |      |        |
|     |           |      |        |
|     |           |      |        |
|     |           |      |        |



|                                                                                                                                                                                        |                       |                                        |
|----------------------------------------------------------------------------------------------------------------------------------------------------------------------------------------|-----------------------|----------------------------------------|
|  Tél: (450) 979-4373<br>Fax: (450) 979-4626<br><a href="http://www.exmweb.com">www.exmweb.com</a> |                       | Flatness<br>Aplatissement<br>Max 3.0mm |
| Customer Client                                                                                                                                                                        |                       | Date                                   |
| Drawn By / Dessiné Par: BoxCad: BoxCad                                                                                                                                                 |                       | Date: 04-Mar-26                        |
| Material / Matière: 16 Ga Cold Rolled A1008 CS Type B (1.4mm)                                                                                                                          |                       |                                        |
| Color / Couleur: Asa-61 Grey                                                                                                                                                           | Finish / Fini: Smooth |                                        |
| Description: 1100EHN 18" x 18" x 6" Body                                                                                                                                               |                       | Detail Rev.                            |
| Part Number / Numéro Pièce: <b>1100EH181806NB</b>                                                                                                                                      |                       | Rev. 5<br>0 / 8                        |

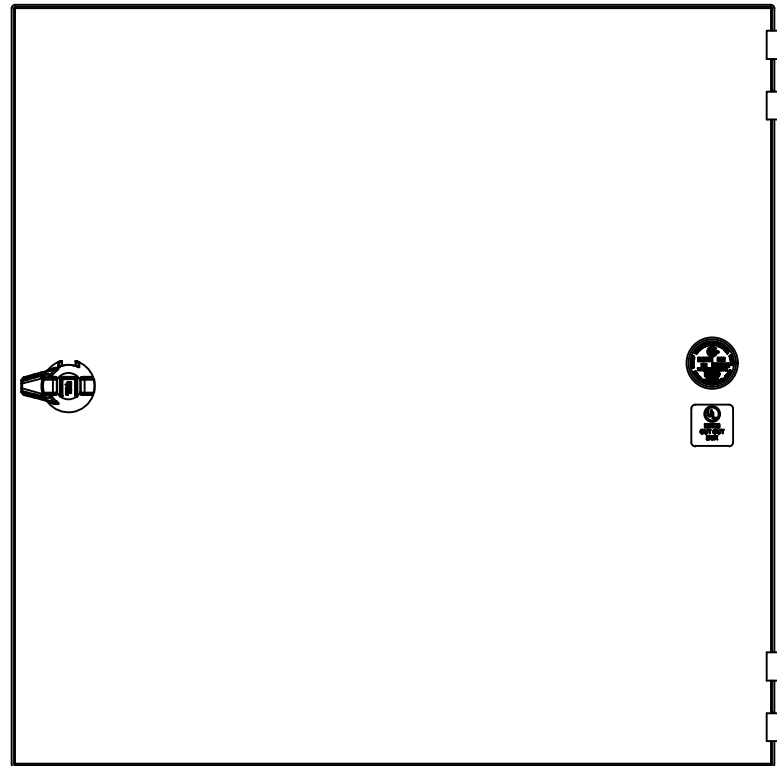
| Qty        | Part Number      | Rev | Description                         |
|------------|------------------|-----|-------------------------------------|
| 1          | STK-P-02400S     | 0   | Powder Paint (Asa-61 Grey / Smooth) |
| 2          | STK-Q-77110      | 1   | 5412 ES Cover Plastic Plug          |
| 2          | STK-Q-33410-P    | 5   | 1100 MC Left Side Hinge             |
| 1          | 1100EH181806NB-P | 0   | 1100EHN 18" x 18" x 6" Body Part    |
| Parts List |                  |     |                                     |

This drawing is confidential and must not be reproduced or used without the consent of EXM

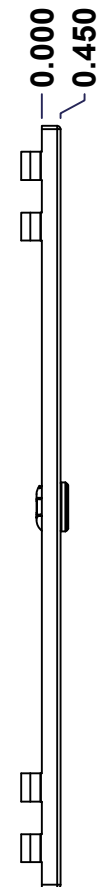
Ce dessin est confidentiel et ne doit pas être reproduit ou utilisé sans le consentement de EXM



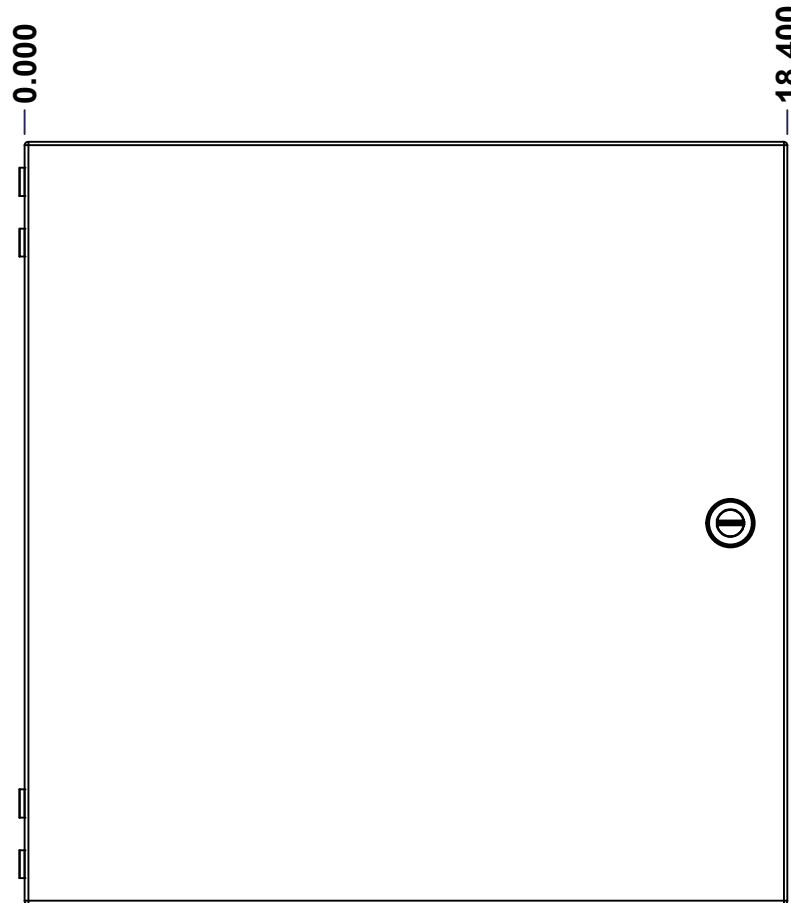
TOP



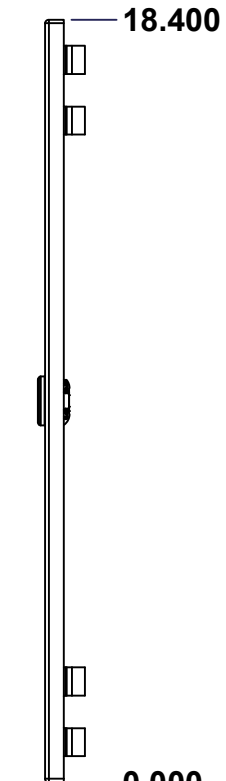
BACK



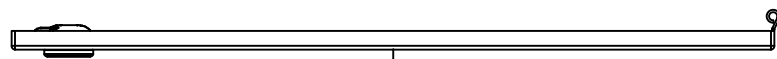
LEFT



FRONT

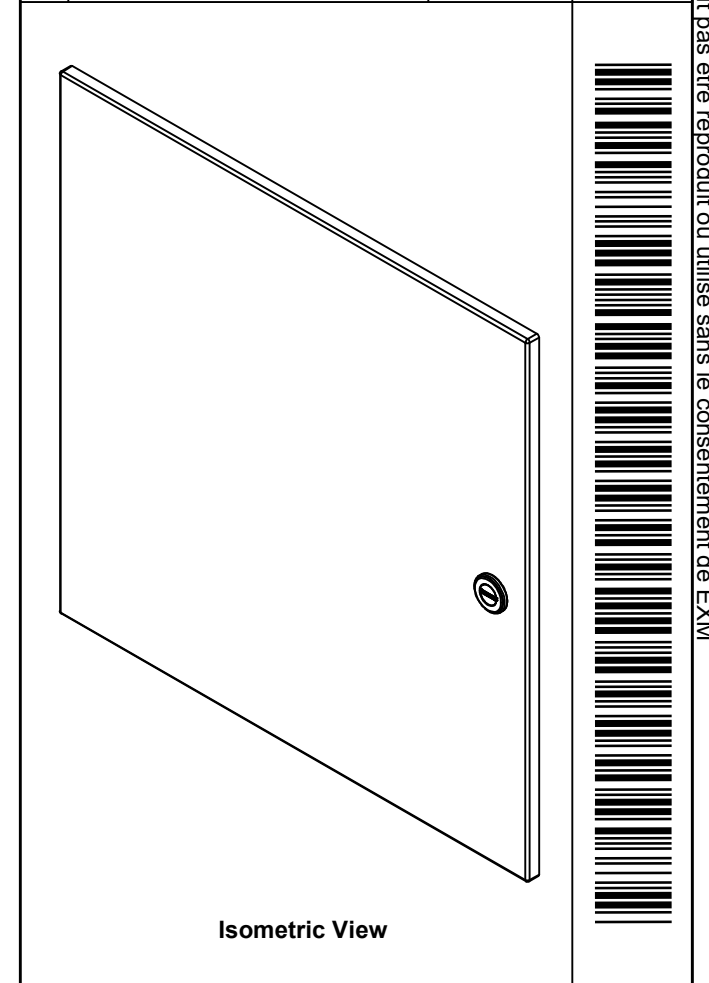


RIGHT


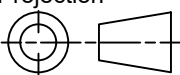


BOTTOM

| No. | Revisions | Date | By/Par |
|-----|-----------|------|--------|
|     |           |      |        |
|     |           |      |        |
|     |           |      |        |
|     |           |      |        |



Isometric View

|                                                                                                                                                                                        |                                           |                                                                                                                                               |
|----------------------------------------------------------------------------------------------------------------------------------------------------------------------------------------|-------------------------------------------|-----------------------------------------------------------------------------------------------------------------------------------------------|
|  Tél: (450) 979-4373<br>Fax: (450) 979-4626<br><a href="http://www.exmweb.com">www.exmweb.com</a> |                                           | Flatness<br>Aplatissement<br>Max 3.0mm<br>Projection<br> |
| Customer Client                                                                                                                                                                        | Date                                      |                                                                                                                                               |
| Drawn By<br>Dessiné Par                                                                                                                                                                | BoxCad: BoxCad                            | Date 04-Mar-26                                                                                                                                |
| Material<br>Matière                                                                                                                                                                    | 16 Ga Cold Rolled A1008 CS Type B (1.4mm) |                                                                                                                                               |
| Color<br>Couleur                                                                                                                                                                       | Asa-61 Grey                               | Finish<br>Fini Smooth                                                                                                                         |
| Description<br>1100EHN 18" x 18" Cover                                                                                                                                                 |                                           | Detail Rev.                                                                                                                                   |
| Part Number<br>Numéro Pièce                                                                                                                                                            | 1100EH181806NC                            | Rev. 6<br>0 8                                                                                                                                 |

SEE BILL OF MATERIAL ON LAST PAGE

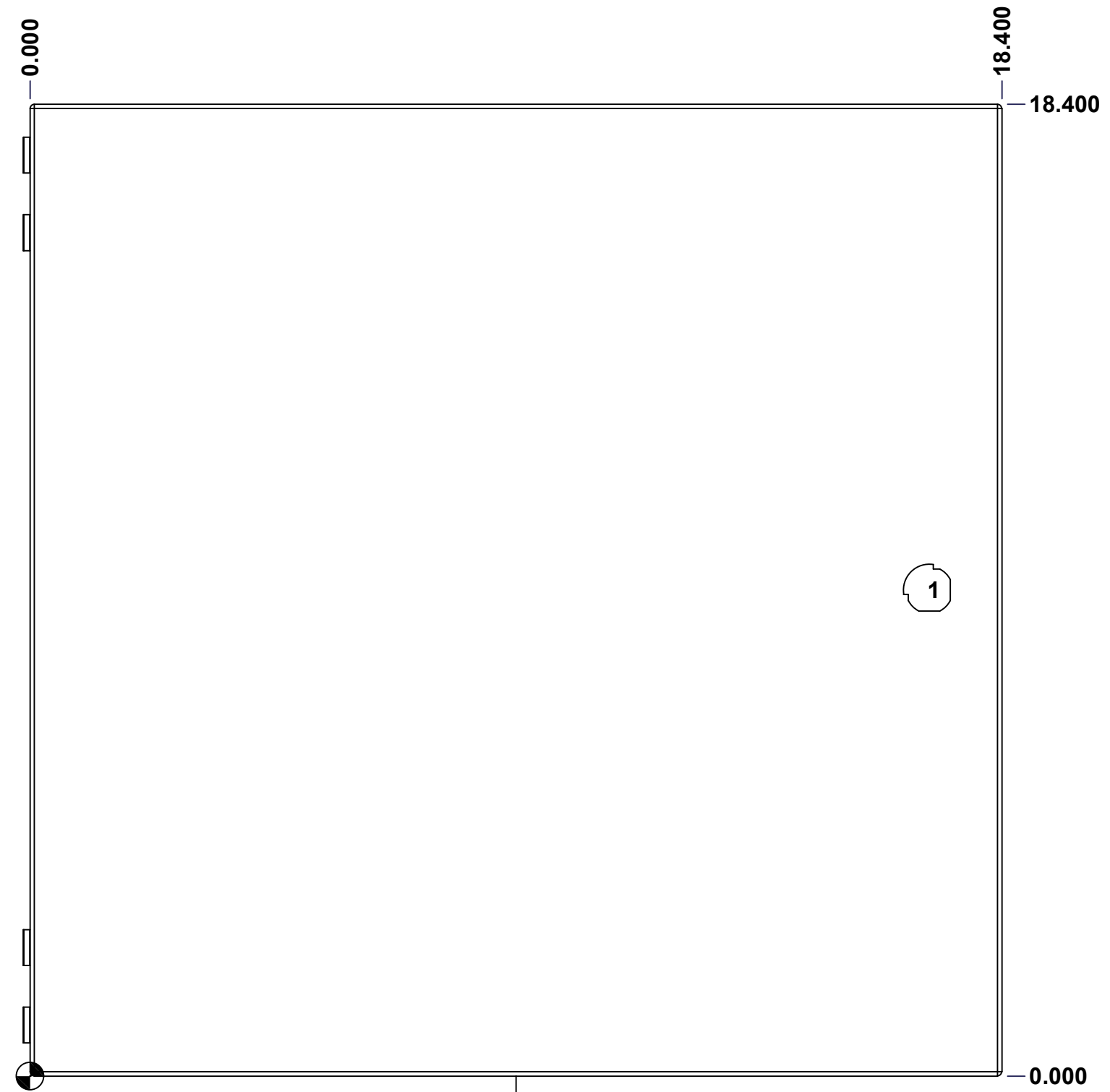
This drawing is confidential and must not be reproduced or used without the consent of EXM

Ce dessin est confidentiel et ne doit pas être reproduit ou utilisé sans le consentement de EXM

**STANDARD FEATURES ARE NOT LISTED IN THIS HOLE TABLE**

**HOLE TABLE - FRONT VIEW (CUSTOM FEATURE ONLY)**

| CUT-OUT | XDIM   | YDIM  | DESCRIPTION             |
|---------|--------|-------|-------------------------|
| 1       | 17.025 | 9.200 | LOCK 880 SCQ1-SL @ 0.0° |



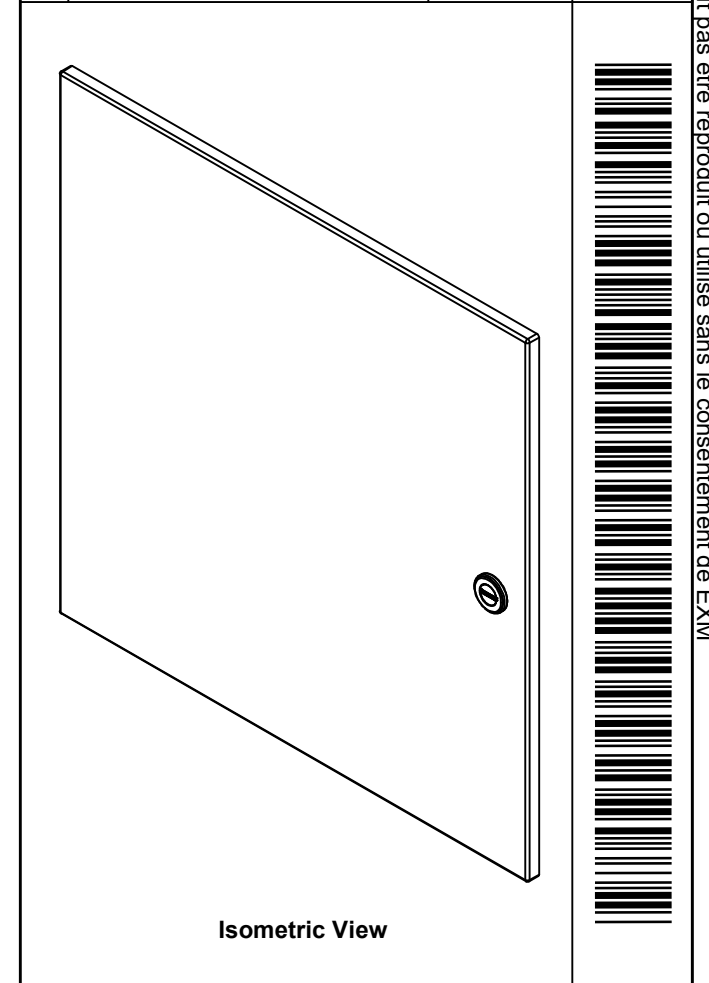
FRONT


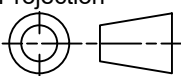
|  |                             |          |        |
|--|-----------------------------|----------|--------|
|  | Description                 | Status   |        |
|  | 1100EHN 18" x 18" Cover     | (NULL)   |        |
|  | Part Number<br>Numéro Pièce | Rev.     |        |
|  | <b>1100EH181806NC</b>       | <b>0</b> | 7<br>8 |

This drawing is confidential and must not be reproduced or used without the consent of EXM

Ce dessin est confidentiel et ne doit pas être reproduit ou utilisé sans le consentement de EXM

| No. | Revisions | Date | By/Par |
|-----|-----------|------|--------|
|     |           |      |        |
|     |           |      |        |
|     |           |      |        |
|     |           |      |        |
|     |           |      |        |



|                                                                                                                                                                                        |                       |                                                                                                                                               |
|----------------------------------------------------------------------------------------------------------------------------------------------------------------------------------------|-----------------------|-----------------------------------------------------------------------------------------------------------------------------------------------|
|  Tél: (450) 979-4373<br>Fax: (450) 979-4626<br><a href="http://www.exmweb.com">www.exmweb.com</a> |                       | Flatness<br>Aplatissement<br>Max 3.0mm<br>Projection<br> |
| Customer Client                                                                                                                                                                        | Date                  |                                                                                                                                               |
| Drawn By / Dessiné Par: BoxCad: BoxCad                                                                                                                                                 | Date: 04-Mar-26       |                                                                                                                                               |
| Material / Matière: 16 Ga Cold Rolled A1008 CS Type B (1.4mm)                                                                                                                          |                       |                                                                                                                                               |
| Color / Couleur: Asa-61 Grey                                                                                                                                                           | Finish / Fini: Smooth |                                                                                                                                               |
| Description: 1100EHN 18" x 18" Cover                                                                                                                                                   |                       | Detail Rev.                                                                                                                                   |
| Part Number / Numéro Pièce: <b>1100EH181806NC</b>                                                                                                                                      | Rev.: <b>0</b>        | 8                                                                                                                                             |

| QTY        | Part Number      | Rev | Description                         |
|------------|------------------|-----|-------------------------------------|
| 1          | 880 SCQ1-SL      | 0   | 1100 1/4 Turn Lock                  |
| 1          | STK-P-02400S     | 0   | Powder Paint (Asa-61 Grey / Smooth) |
| 1          | STK-S-00900      | 0   | UL Cut-Out Box Sticker              |
| 1          | STK-S-00800      | 2   | CSA Electrical Box Sticker          |
| 1          | 1100EH181806NC-P | 0   | 1100EHN 18" x 18" x 6" Cover Part   |
| Parts List |                  |     |                                     |