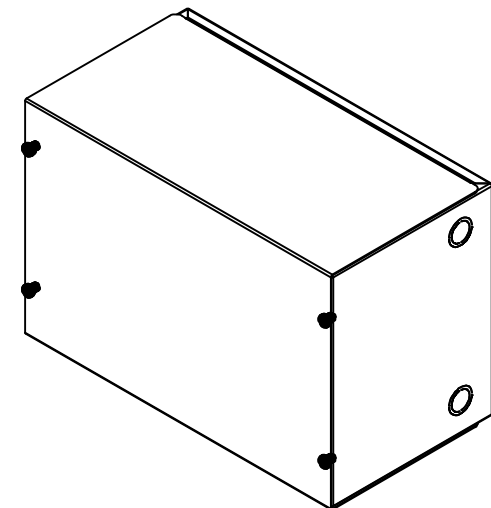
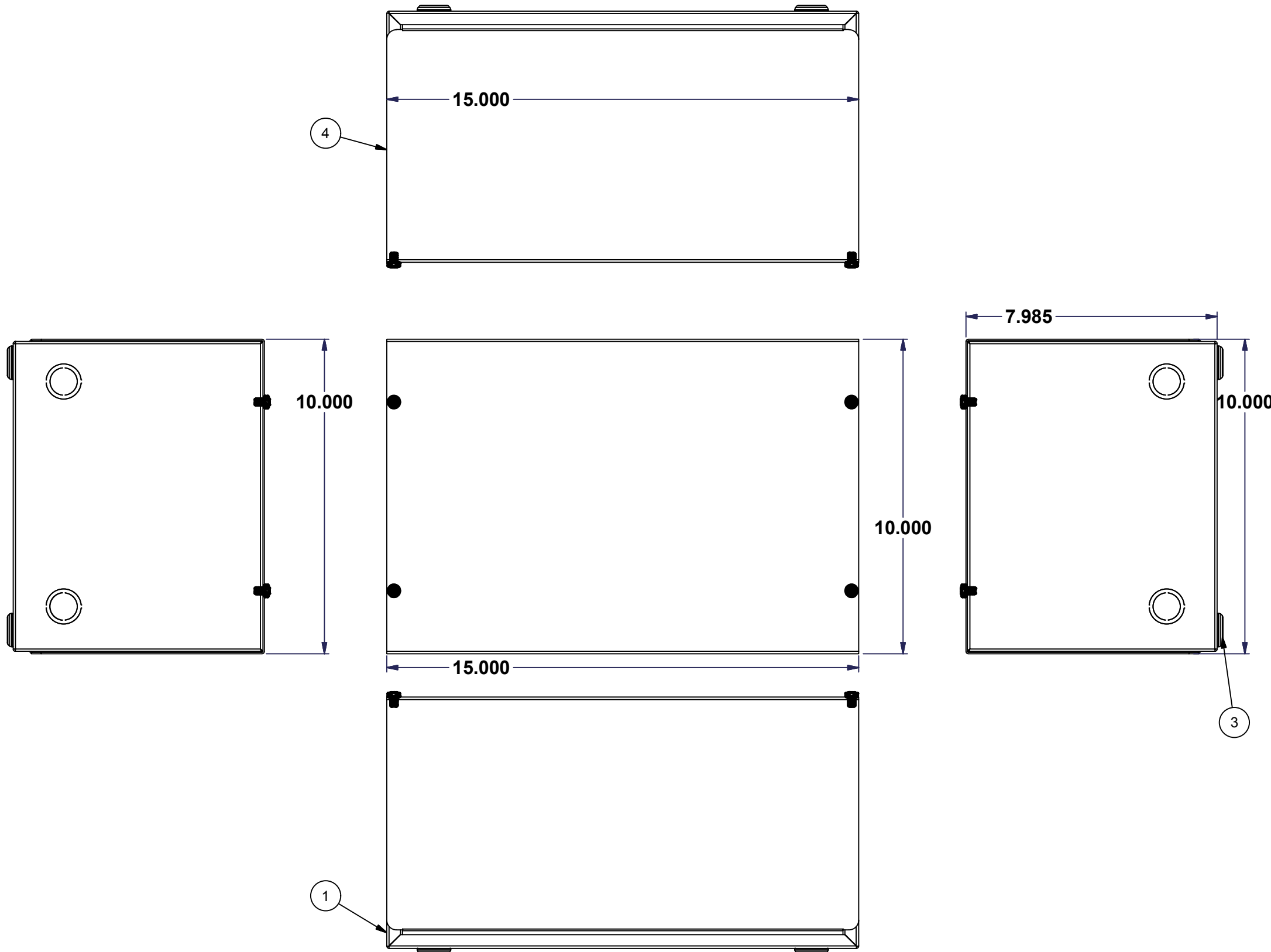


This drawing is confidential and must not be reproduced or used without the consent of EXM

All knockouts are actual size / Les disques défonçables sont grandeur réel  
 All dimensions are before paint / Toutes les dimensions sont avant peinture

No.	Revisions	Date	By/Par
1	Update Model	02-Oct-08	MichelP
2	Turn into iLogic	7/7/2010	AllenL
2.1.0	Change all Material to 18Ga Cold Rolled Steel except vented cover	8/18/2010	AllenL

Ce dessin est confidentiel et ne doit pas être reproduit ou utilisé sans le consentement de EXM



Isometric View



Tél: (450) 979-4373  
 Fax: (450) 979-4626  
[www.exmweb.com](http://www.exmweb.com)

Flatness  
 Aplatissement  
 Max 3.0mm  
 Projection

Customer Client	Date
Drawn By / Dessiné Par: MichaelA	Date: 23-Mar-15
Material / Matière	See Part List
Color / Couleur	See Part List
Finish / Fini	See Part List

Parts List							
Item	Qty	Part Number	Rev	Description	Material	Color	Finish
1	1	1100VE151008B-P	2	1100VE 15" x 10" x 8" Ventilated Enclosure Body Part		See Part List	See Part List
2	1	STK-K-01810	0	1100VE Accessory Kit		See Part List	See Part List
3	4	STK-Q-67600	1	Bumper	Rubber	BLACK	N/A
4	1	1100VE151008NC-P	2	1100VE 15" x 10" x 8" Non-Ventilated Enclosure Cover Part		See Part List	See Part List

Description	Detail Rev.
1100VE 15" x 10" x 8" Non-Ventilated Enclosure Assembly	
Part Number / Numéro Pièce	Rev.
<b>1100VE151008N</b>	<b>2</b>