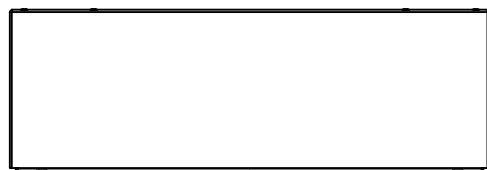
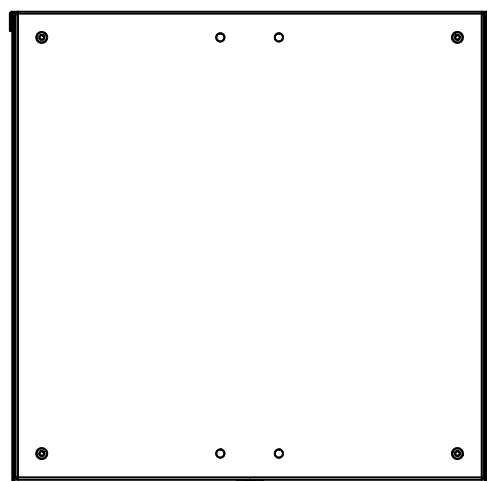


This drawing is confidential and must not be reproduced or used without the consent of EXM

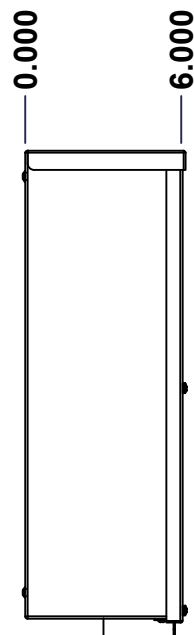
Ce dessin est confidentiel et ne doit pas être reproduit ou utilisé sans le consentement de EXM



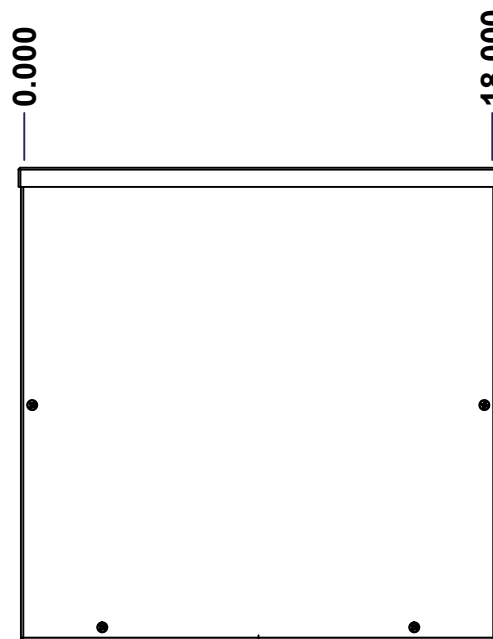
TOP



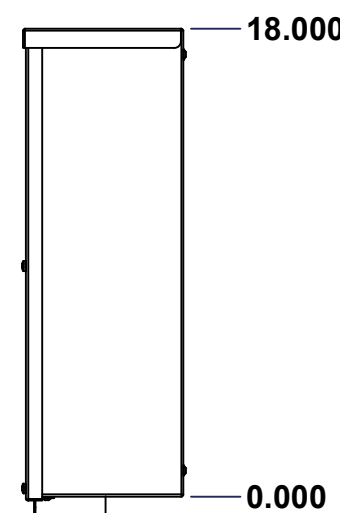
BACK



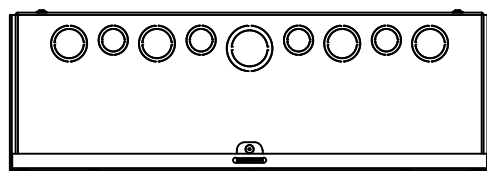
LEFT



FRONT

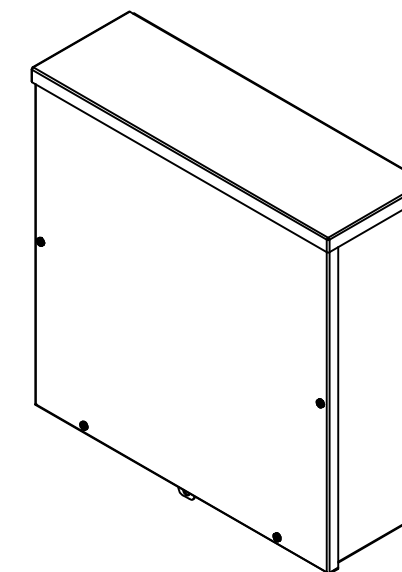


RIGHT



BOTTOM

| No. | Revisions | Date | By/Par |
|-----|-----------|------|--------|
| | | | |
| | | | |
| | | | |
| | | | |



Isometric View



Tél: (450) 979-4373
 Fax: (450) 979-4626
www.exmweb.com

Flatness
Aplatissement

Max 3.0mm

Projection



| | |
|--|-----------------------|
| Customer Client | Date |
| Drawn By / Dessiné Par: BoxCad: BoxCad | Date: 17-Oct-19 |
| Material / Matière: 16 Ga Galvannealed Steel (1.4mm) | |
| Color / Couleur: Asa-61 Grey | Finish / Fini: Smooth |
| Description: 1300 18" x 18" x 6" Assembly | Detail Rev. |
| Part Number / Numéro Pièce: 1300181806 | Rev. 0 |

SEE BILL OF MATERIAL ON LAST PAGE

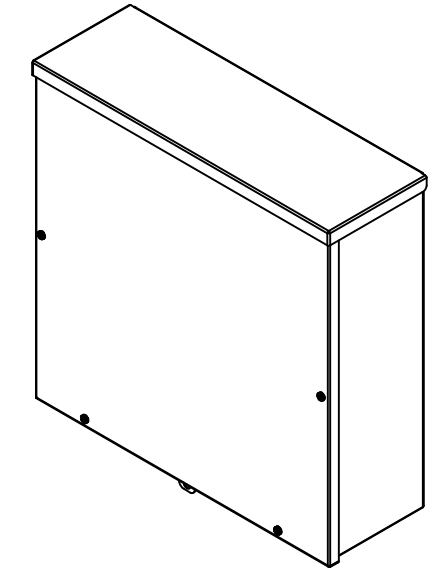
1
7

This drawing is confidential and must not be reproduced or used without the consent of EXM


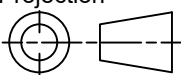
Ce dessin est confidentiel et ne doit pas être reproduit ou utilisé sans le consentement de EXM

| NOTE | |
|------|------------------------------------|
| ITEM | DESCRIPTION |
| 1 | NEMA 3/3R Enclosure (IP64) |
| 2 | W/O Standard door stiffener |
| 3 | W/O Inner panel |
| 4 | W/O Inner panel mounting standoffs |

| No. | Revisions | Date | By/Par |
|-----|-----------|------|--------|
| | | | |
| | | | |
| | | | |
| | | | |
| | | | |
| | | | |



Isometric View

| | |
|--|---|
|  Tél: (450) 979-4373 Fax: (450) 979-4626 www.exmweb.com | Flatness Aplatissement Max 3.0mm |
| | Projection  |
| Customer Client | Date |
| Drawn By / Dessiné Par: BoxCad: BoxCad | Date: 17-Oct-19 |
| Material / Matière: 16 Ga Galvannealed Steel (1.4mm) | |
| Color / Couleur: Asa-61 Grey | Finish / Fini: Smooth |
| Description: 1300 18" x 18" x 6" Assembly | |
| Part Number / Numéro Pièce: 1300181806 | Detail Rev. / Rev. 2 |
| | 0 / 7 |

| PACKING | | |
|----------------------|-----|---|
| ITEM | QTY | DESCRIPTION |
| Thermal plastic film | 1 | Use with Packing Tunnel Wrapper Machine |
| Packaging label | 1 | White label with product number |

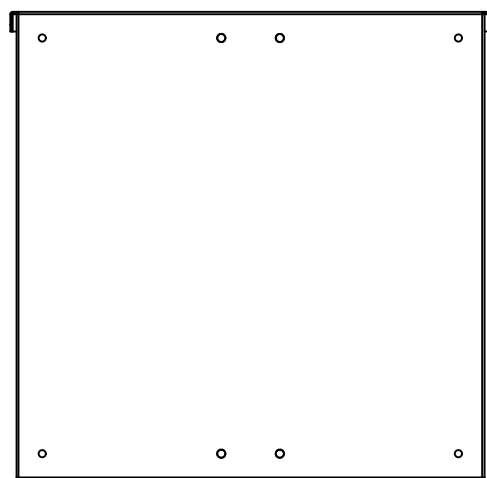
| Qty | Part Number | Rev | Description |
|------------|-------------|-----|--------------------------|
| 2 | STK-K-03100 | 3 | 1300 CH - Accessory Kit |
| 1 | 1300181806C | 0 | 1300 18" x 18" Cover |
| 1 | 1300181806B | 0 | 1300 18" x 18" x 6" Body |
| Parts List | | | |

This drawing is confidential and must not be reproduced or used without the consent of EXM

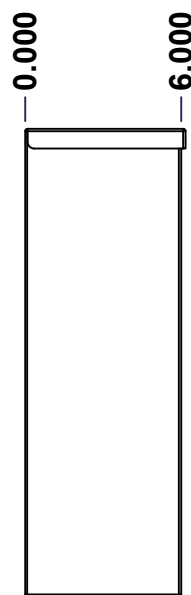
Ce dessin est confidentiel et ne doit pas être reproduit ou utilisé sans le consentement de EXM



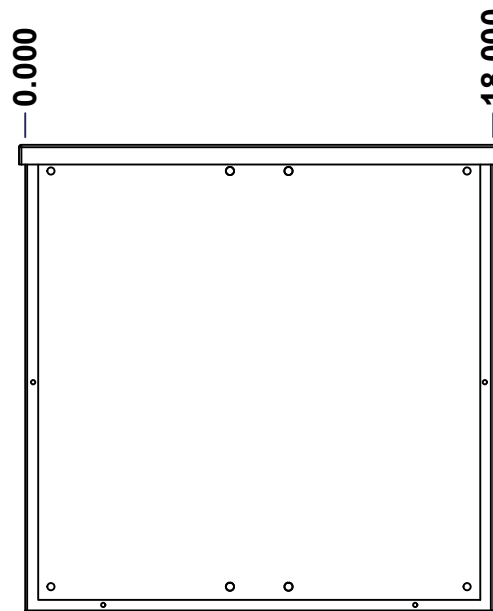
TOP



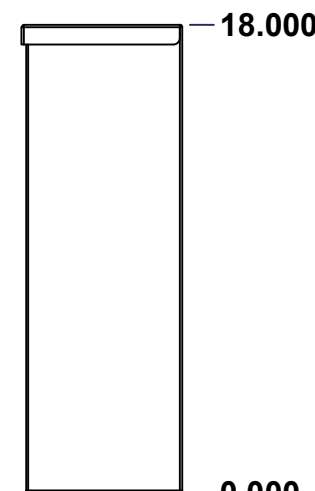
BACK



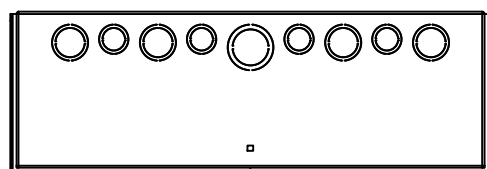
LEFT



FRONT

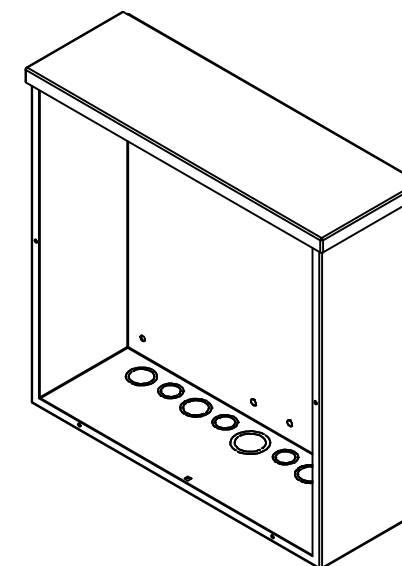


RIGHT



BOTTOM

| No. | Revisions | Date | By/Par |
|-----|-----------|------|--------|
| | | | |
| | | | |
| | | | |
| | | | |
| | | | |



Isometric View



Tél: (450) 979-4373
 Fax: (450) 979-4626
www.exmweb.com

Flatness
Aplatissement

Max 3.0mm

Projection



| | |
|--|-----------------------|
| Customer Client | Date |
| Drawn By / Dessiné Par: BoxCad: BoxCad | Date: 17-Oct-19 |
| Material / Matière: 16 Ga Galvannealed Steel (1.4mm) | |
| Color / Couleur: Asa-61 Grey | Finish / Fini: Smooth |
| Description: 1300 18" x 18" x 6" Body | Detail Rev. |
| Part Number / Numéro Pièce: 1300181806B | Rev. 0 |

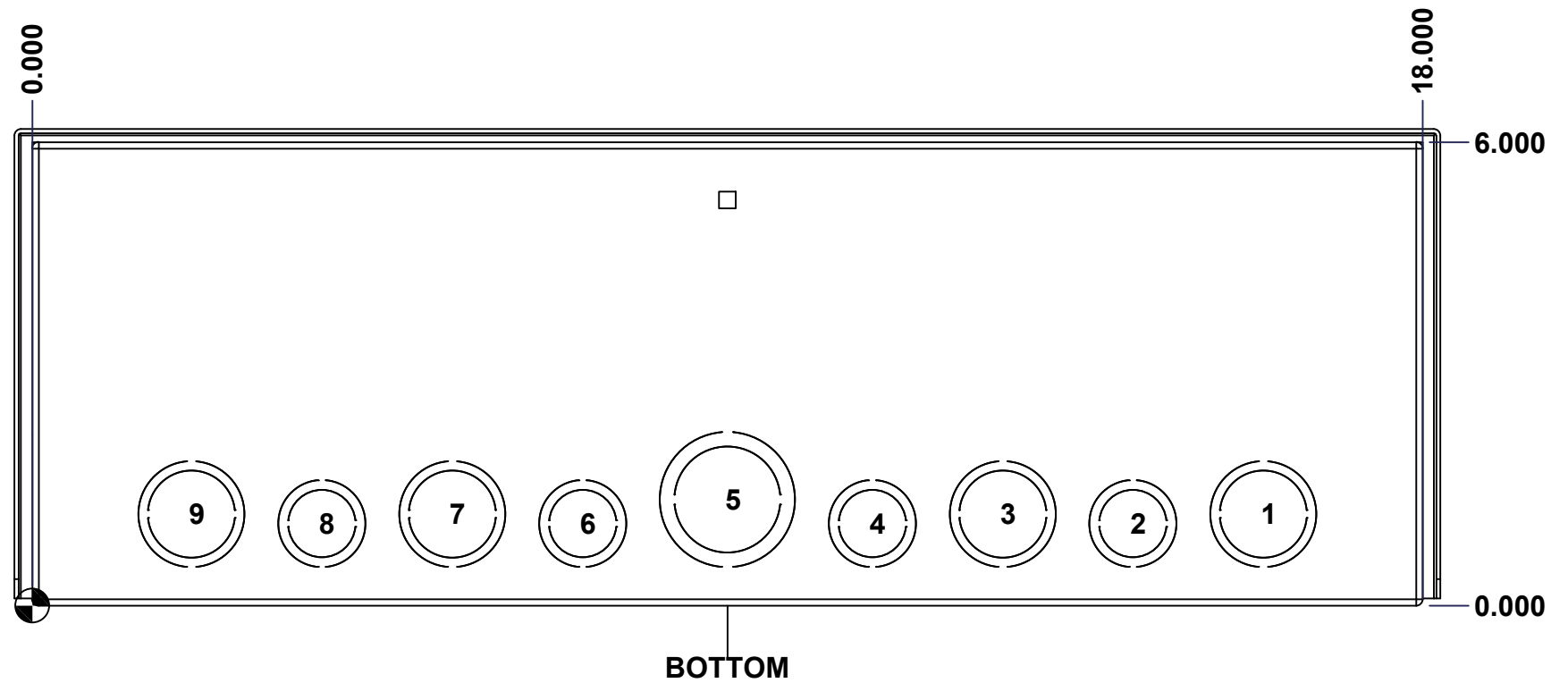
SEE BILL OF MATERIAL ON LAST PAGE

3
7

This drawing is confidential and must not be reproduced or used without the consent of EXM

Ce dessin est confidentiel et ne doit pas être reproduit ou utilisé sans le consentement de EXM

| STANDARD FEATURES ARE NOT LISTED IN THIS HOLE TABLE | | | |
|---|--------|-------|--------------------|
| HOLE TABLE - BOTTOM VIEW (CUSTOM FEATURE ONLY) | | | |
| CUT-OUT | XDIM | YDIM | DESCRIPTION |
| 1 | 15.939 | 1.188 | DKO Ø1.375 - 1.125 |
| 2 | 14.251 | 1.063 | DKO Ø1.125 - 0.875 |
| 3 | 12.563 | 1.188 | DKO Ø1.375 - 1.125 |
| 4 | 10.875 | 1.063 | DKO Ø1.125 - 0.875 |
| 5 | 9.000 | 1.375 | DKO Ø1.750 - 1.375 |
| 6 | 7.125 | 1.063 | DKO Ø1.125 - 0.875 |
| 7 | 5.437 | 1.188 | DKO Ø1.375 - 1.125 |
| 8 | 3.749 | 1.063 | DKO Ø1.125 - 0.875 |
| 9 | 2.061 | 1.188 | DKO Ø1.375 - 1.125 |

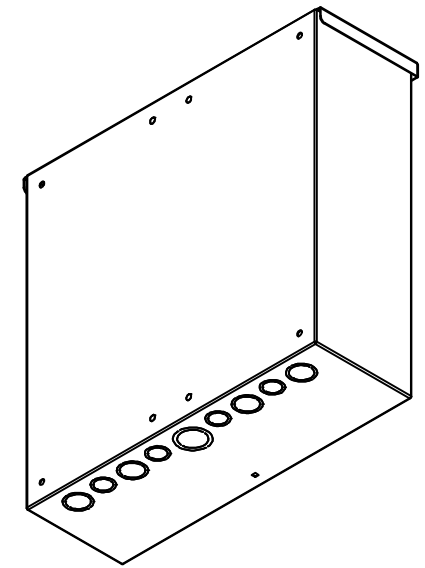


| | | | |
|--|-----------------------------|----------|--------|
| | Description | Status | |
| | 1300 18" x 18" x 6" Body | (NULL) | |
| | Part Number Numéro Pièce | Rev. | |
| | 1300181806B | 0 | 4 7 |

This drawing is confidential and must not be reproduced or used without the consent of EXM

Ce dessin est confidentiel et ne doit pas être reproduit ou utilisé sans le consentement de EXM

| No. | Revisions | Date | By/Par |
|-----|-----------|------|--------|
| | | | |
| | | | |
| | | | |
| | | | |
| | | | |



Isometric View

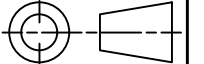


Tél: (450) 979-4373
 Fax: (450) 979-4626
www.exmweb.com

Flatness
Aplatissement

Max 3.0mm

Projection



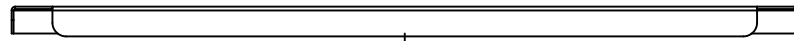
| | |
|--|-----------------------|
| Customer Client | Date |
| Drawn By / Dessiné Par: BoxCad: BoxCad | Date: 17-Oct-19 |
| Material / Matière: 16 Ga Galvannealed Steel (1.4mm) | |
| Color / Couleur: Asa-61 Grey | Finish / Fini: Smooth |

| Qty | Part Number | Rev | Description |
|------------|---------------|-----|-------------------------------------|
| 1 | STK-P-02400S | 0 | Powder Paint (Asa-61 Grey / Smooth) |
| 1 | 1300181806B-P | 0 | 1300 18" x 18" Body Part |
| Parts List | | | |

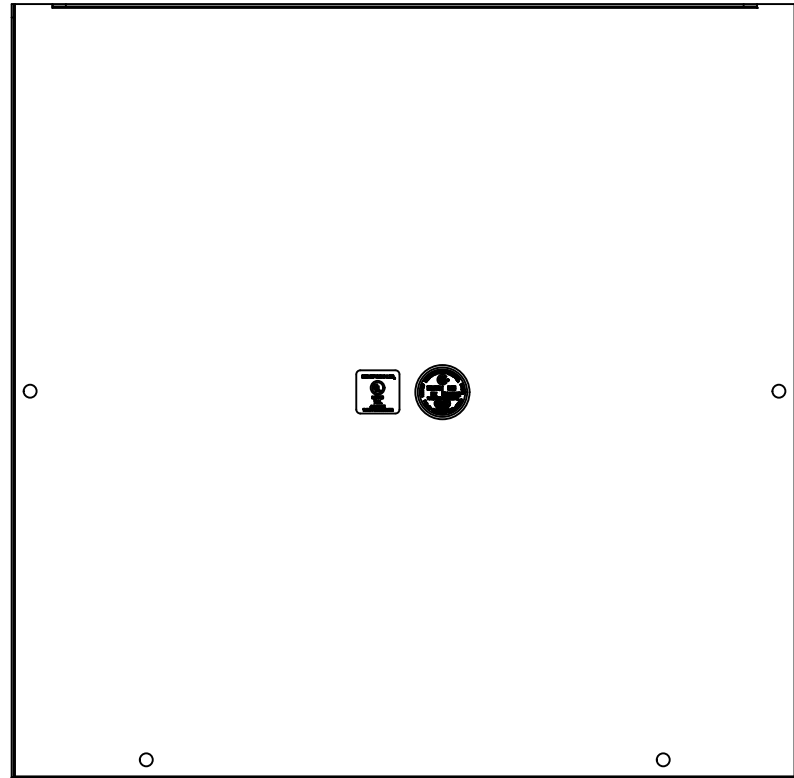
| | |
|--|----------------|
| Description: 1300 18" x 18" x 6" Body | Detail Rev. |
| Part Number / Numéro Pièce: 1300181806B | Rev. 0 / 5 / 7 |

This drawing is confidential and must not be reproduced or used without the consent of EXM

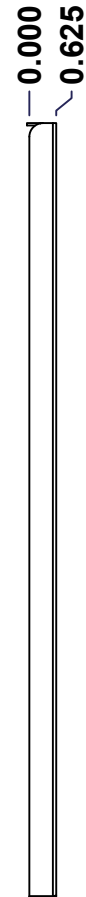
Ce dessin est confidentiel et ne doit pas être reproduit ou utilisé sans le consentement de EXM



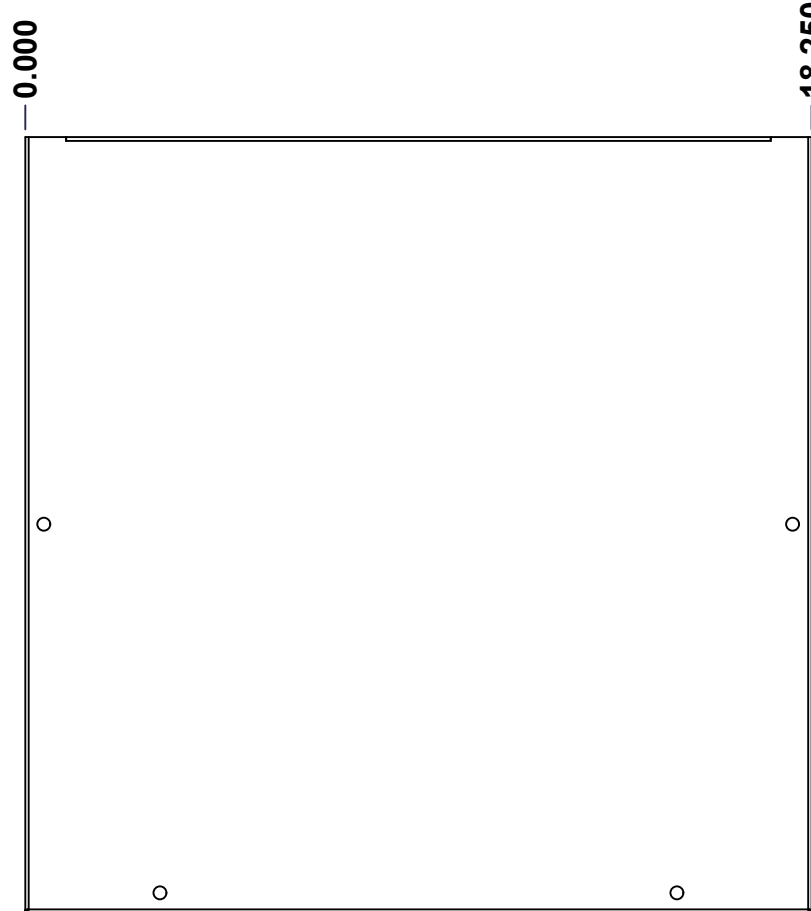
TOP



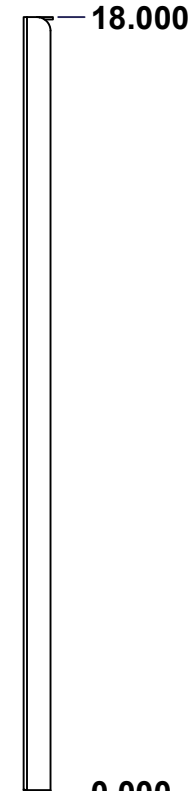
BACK



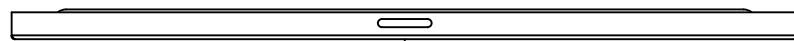
LEFT



FRONT

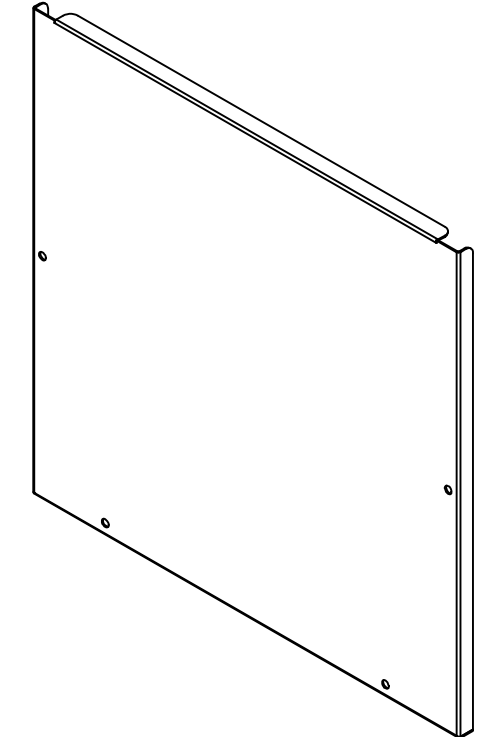


RIGHT



BOTTOM

| No. | Revisions | Date | By/Par |
|-----|-----------|------|--------|
| | | | |
| | | | |
| | | | |
| | | | |



Isometric View

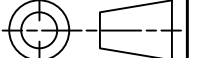


Tél: (450) 979-4373
 Fax: (450) 979-4626
www.exmweb.com

Flatness
Aplatissement

Max 3.0mm

Projection



| | |
|--|-----------------------|
| Customer Client | Date |
| Drawn By / Dessiné Par: BoxCad: BoxCad | Date: 17-Oct-19 |
| Material / Matière: 16 Ga Galvannealed Steel (1.4mm) | |
| Color / Couleur: Asa-61 Grey | Finish / Fini: Smooth |
| Description: 1300 18" x 18" Cover | Detail Rev. |
| Part Number / Numéro Pièce: 1300181806C | Rev. 0 |

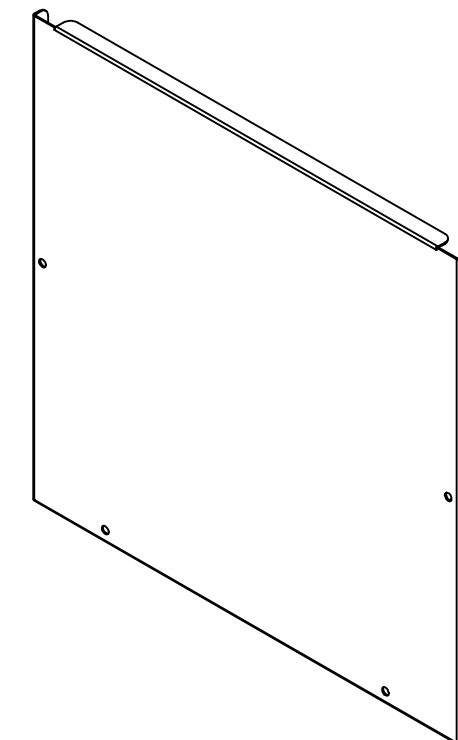
SEE BILL OF MATERIAL ON LAST PAGE

6
7


This drawing is confidential and must not be reproduced or used without the consent of EXM

Ce dessin est confidentiel et ne doit pas être reproduit ou utilisé sans le consentement de EXM

| No. | Revisions | Date | By/Par |
|-----|-----------|------|--------|
| | | | |
| | | | |
| | | | |
| | | | |
| | | | |



Isometric View

| | | |
|--|-----------------------|--|
|  Tél: (450) 979-4373 Fax: (450) 979-4626 www.exmweb.com | | Flatness Aplatissement Max 3.0mm |
| Customer Client | | Date |
| Drawn By / Dessiné Par: BoxCad: BoxCad | | Date: 17-Oct-19 |
| Material / Matière: 16 Ga Galvannealed Steel (1.4mm) | | |
| Color / Couleur: Asa-61 Grey | Finish / Fini: Smooth | |
| Description: 1300 18" x 18" Cover | | Detail Rev. |
| Part Number / Numéro Pièce: 1300181806C | | Rev. 7 / 7 |

| QTY | Part Number | Rev | Description |
|------------|---------------|-----|-------------------------------------|
| 1 | STK-S-00950 | 1 | UL 74SL Pull-Box Sticker |
| 1 | STK-S-00800 | 2 | CSA Electrical Box Sticker |
| 1 | STK-P-02400S | 0 | Powder Paint (Asa-61 Grey / Smooth) |
| 1 | 1300181806C-P | 0 | 1300 18" x 18" Cover Part |
| Parts List | | | |