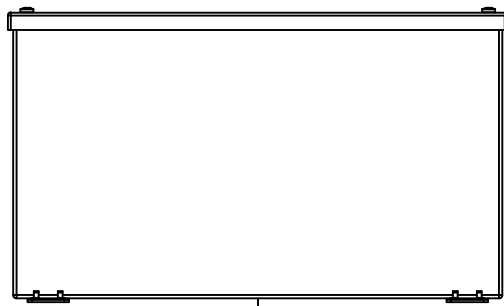
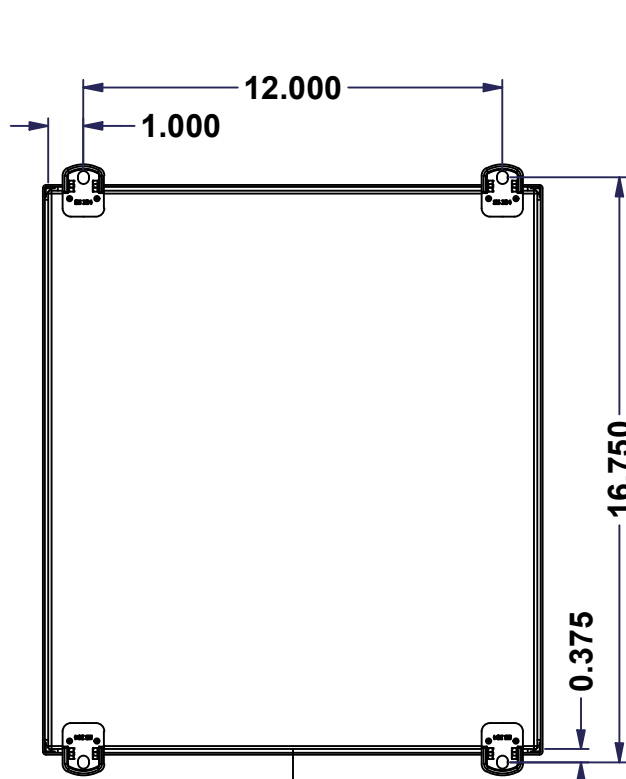


This drawing is confidential and must not be reproduced or used without the consent of EXM

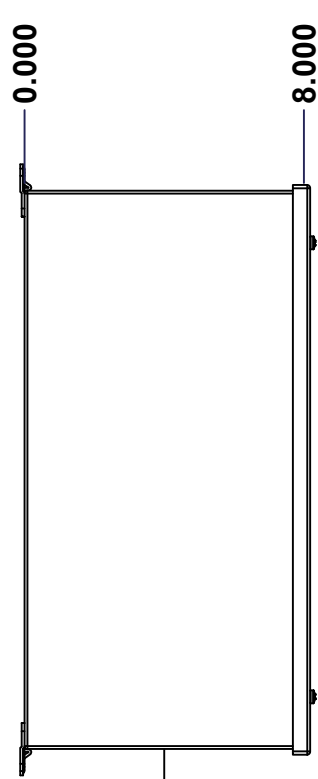
Ce dessin est confidentiel et ne doit pas être reproduit ou utilisé sans le consentement de EXM



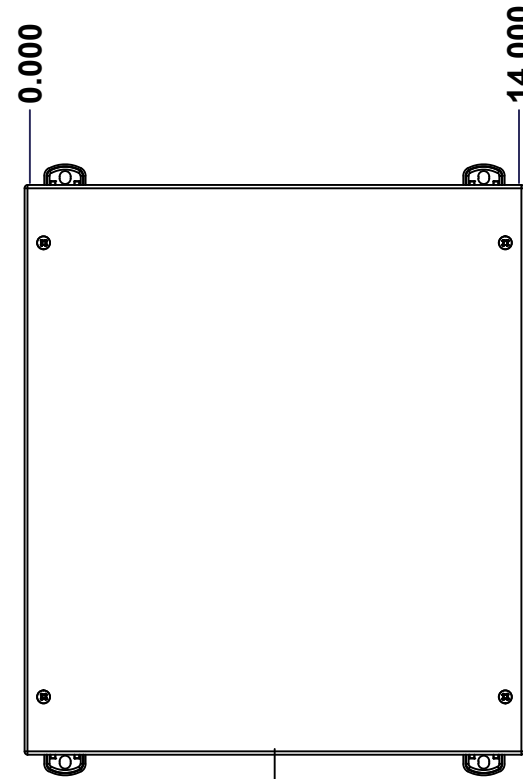
TOP



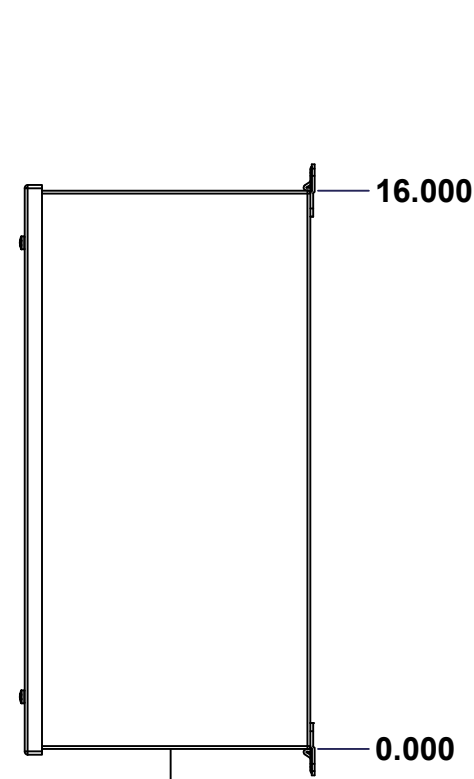
BACK



LEFT

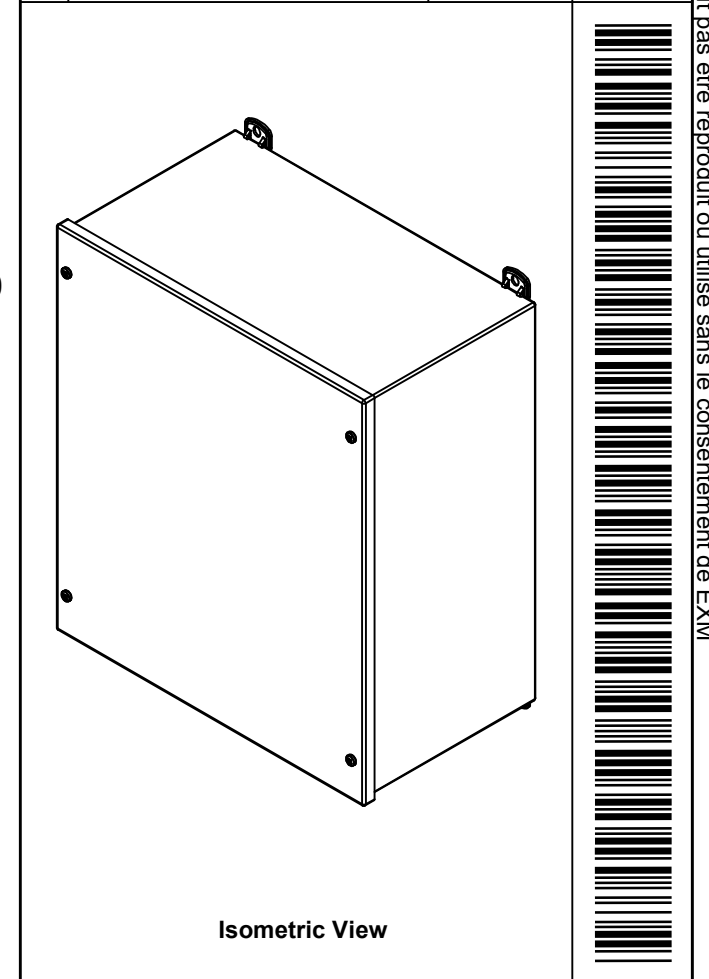


FRONT

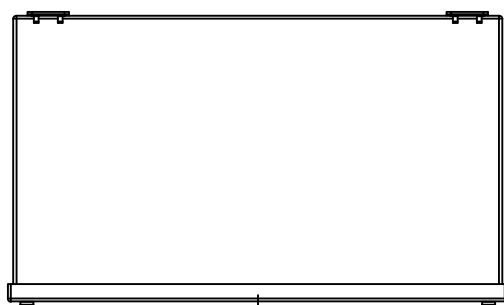


RIGHT

| No. | Revisions | Date | By/Par |
|-----|-----------|------|--------|
| | | | |
| | | | |
| | | | |
| | | | |




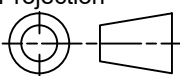
Isometric View



BOTTOM

**GRAIN DIRECTION:
TOP/BOTTOM: HORIZONTAL
LEFT/RIGHT/BACK/FRONT: VERTICAL**

SEE BILL OF MATERIAL ON LAST PAGE

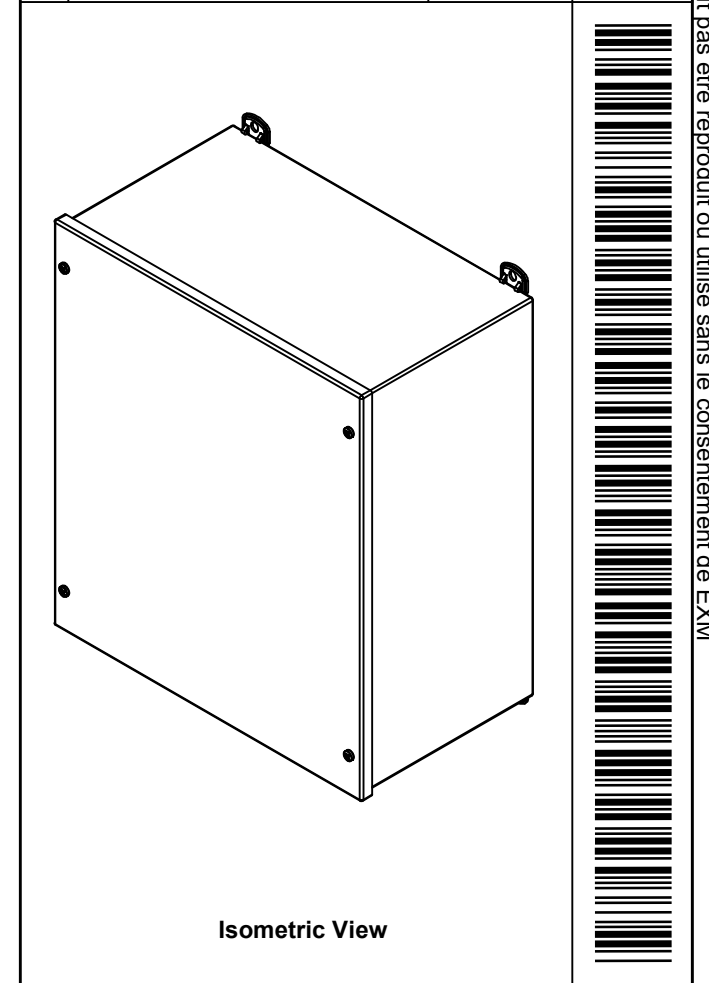
| | | |
|--|-----------------------------------|---|
|  Tél: (450) 979-4373 Fax: (450) 979-4626 www.exmweb.com | | Flatness Aplatissement Max 3.0mm Projection  |
| Customer Client | Date | |
| Drawn By Dessiné Par | BoxCad: BoxCad | Date 04-Feb-26 |
| Material Matière | 16 Ga Stainless Steel 304 (1.4mm) | |
| Color Couleur | Unpainted | Finish Fini Brushed |
| Description | Detail Rev. | |
| 1300DWP 16" x 14" x 8" Assembly | | |
| Part Number Numéro Pièce | Rev. | 1 |
| 1300DWPFS161408 | 0 | 8 |


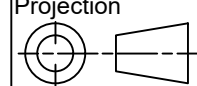
This drawing is confidential and must not be reproduced or used without the consent of EXM

Ce dessin est confidentiel et ne doit pas être reproduit ou utilisé sans le consentement de EXM

| NOTE | |
|------|------------------------------------|
| ITEM | DESCRIPTION |
| 1 | NEMA 3, 3R Enclosure (IP64) |
| 2 | W/O Standard door stiffener |
| 3 | W/O Inner panel |
| 4 | W/O Inner panel mounting standoffs |

| No. | Revisions | Date | By/Par |
|-----|-----------|------|--------|
| | | | |
| | | | |
| | | | |
| | | | |
| | | | |



| | | |
|--|-----------------------------------|---|
|  Tél: (450) 979-4373 Fax: (450) 979-4626 www.exmweb.com | | Flatness Aplatissement Max 3.0mm Projection  |
| Customer Client | Date | |
| Drawn By Dessiné Par | BoxCad: BoxCad | Date 04-Feb-26 |
| Material Matière | 16 Ga Stainless Steel 304 (1.4mm) | |
| Color Couleur | Unpainted | Finish Fini Brushed |
| Description | Detail Rev. | |
| 1300DWPFS 16" x 14" x 8" Assembly | | |
| Part Number Numéro Pièce | Rev. | 2 |
| 1300DWPFS161408 | 0 | 8 |

| PACKING | | |
|----------------------|-----|---|
| ITEM | QTY | DESCRIPTION |
| Thermal plastic film | 1 | Use with Packing Tunnel Wrapper Machine |
| Packaging label | 1 | White label with product number |

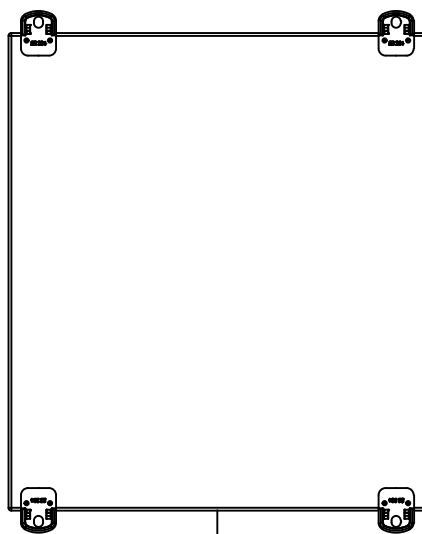
| | | | |
|------------|------------------|-----|--|
| 1 | STK-K-11450 | 1 | 1300 DWPFS Stainless Steel Accessory Kit |
| 1 | 1300DWPFS161408C | 0 | 1300DWPFS 16" x 14" Cover |
| 1 | 1300DWPFS161408B | 0 | 1300DWPFS 16" x 14" x 8" Body |
| Qty | Part Number | Rev | Description |
| Parts List | | | |

This drawing is confidential and must not be reproduced or used without the consent of EXM

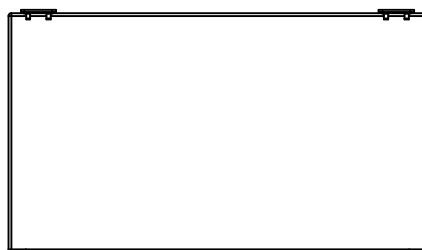
Ce dessin est confidentiel et ne doit pas être reproduit ou utilisé sans le consentement de EXM



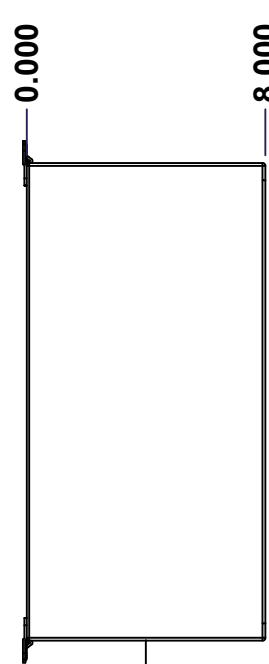
TOP



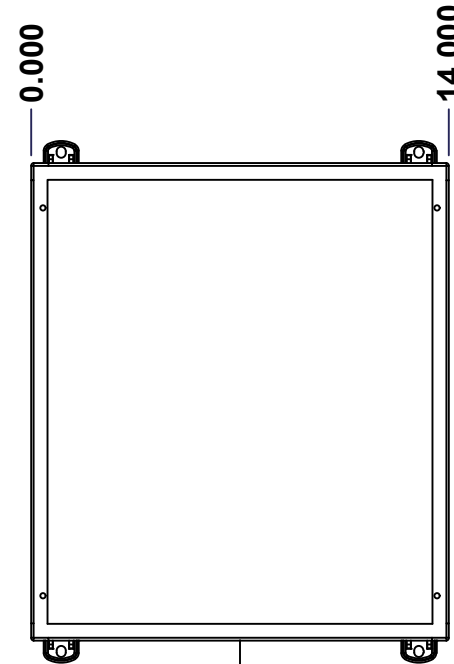
BACK



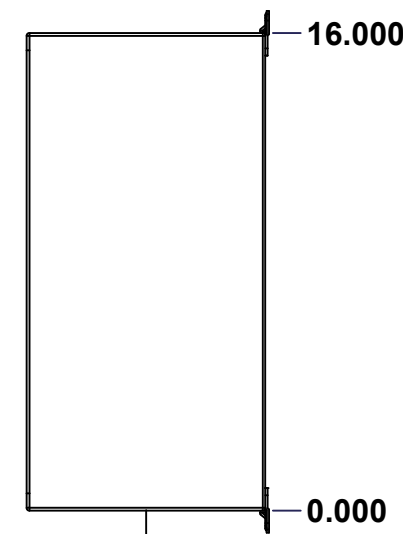
BOTTOM



LEFT

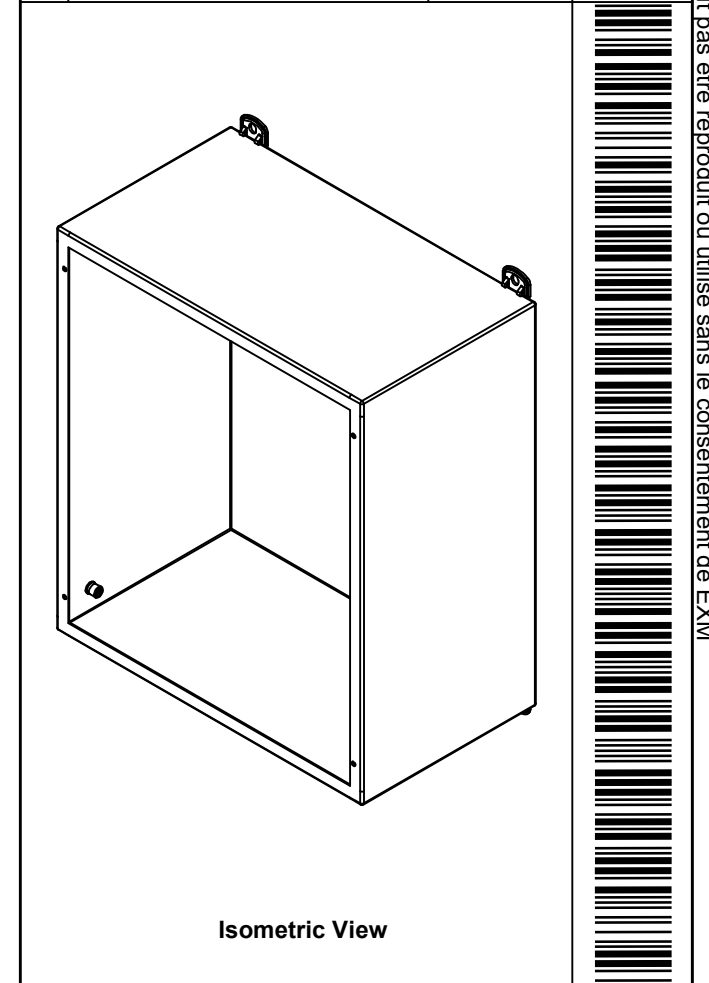


FRONT


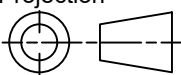


RIGHT

| No. | Revisions | Date | By/Par |
|-----|-----------|------|--------|
| | | | |
| | | | |
| | | | |
| | | | |



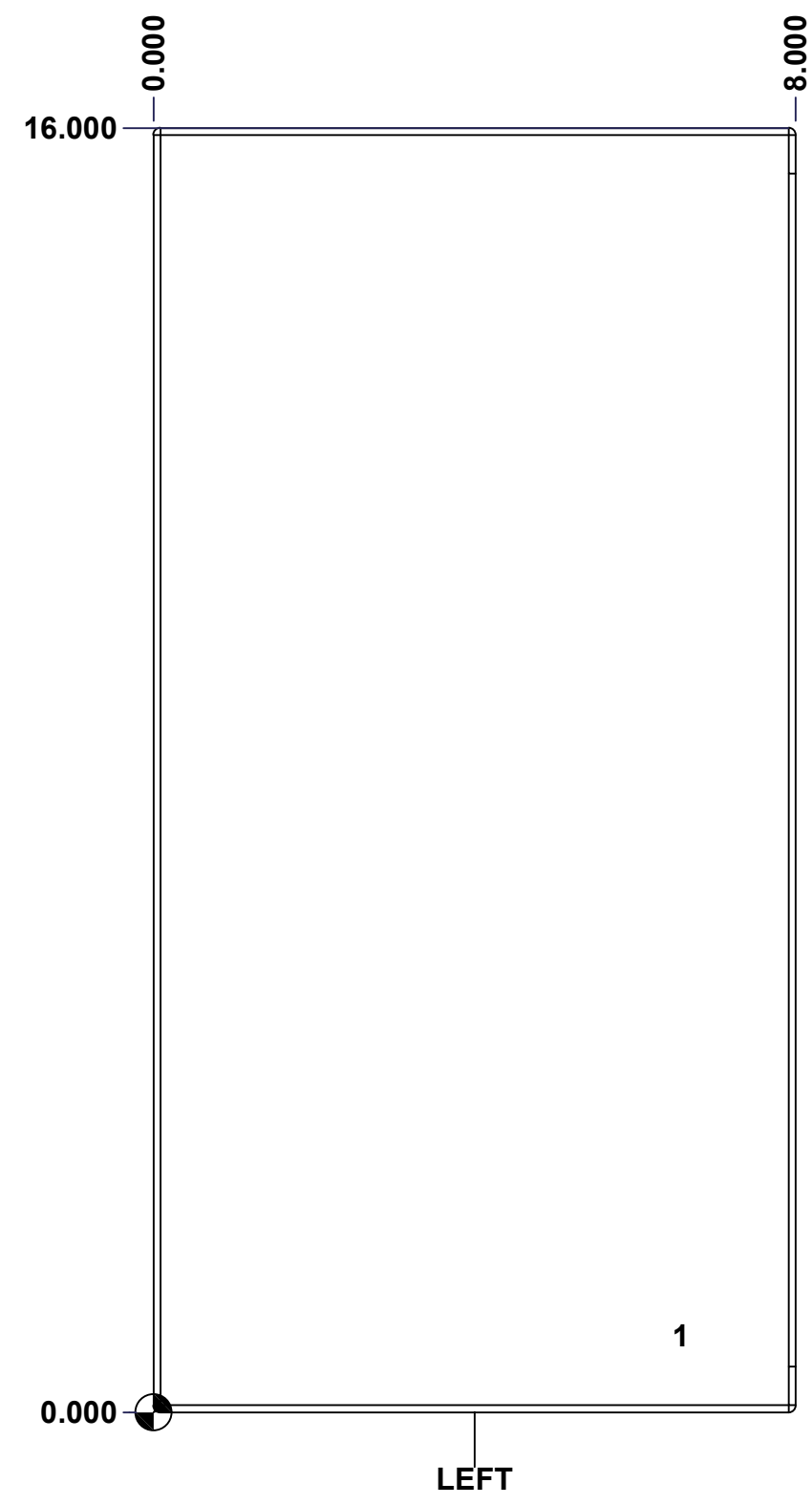
Isometric View

| | | |
|--|-----------------------------------|---|
|  Tél: (450) 979-4373 Fax: (450) 979-4626 www.exmweb.com | | Flatness Aplatissement Max 3.0mm Projection  |
| Customer Client | Date | |
| Drawn By Dessiné Par | BoxCad: BoxCad | Date 04-Feb-26 |
| Material Matière | 16 Ga Stainless Steel 304 (1.4mm) | |
| Color Couleur | Unpainted | Finish Fini Brushed |
| Description | Detail Rev. | |
| 1300DWPFS 16" x 14" x 8" Body | | |
| Part Number Numéro Pièce | Rev. | 3 |
| SEE BILL OF MATERIAL ON LAST PAGE | 1300DWPFS161408B | 0 |
| | | 8 |

This drawing is confidential and must not be reproduced or used without the consent of EXM

Ce dessin est confidentiel et ne doit pas être reproduit ou utilisé sans le consentement de EXM

| STANDARD FEATURES ARE NOT LISTED IN THIS HOLE TABLE | | | |
|--|-------|-------|-----------------------------|
| HOLE TABLE - LEFT VIEW (CUSTOM FEATURE ONLY) | | | |
| CUT-OUT | XDIM | YDIM | DESCRIPTION |
| 1 | 6.500 | 0.964 | STANDOFF M6 x 10mm (Inside) |

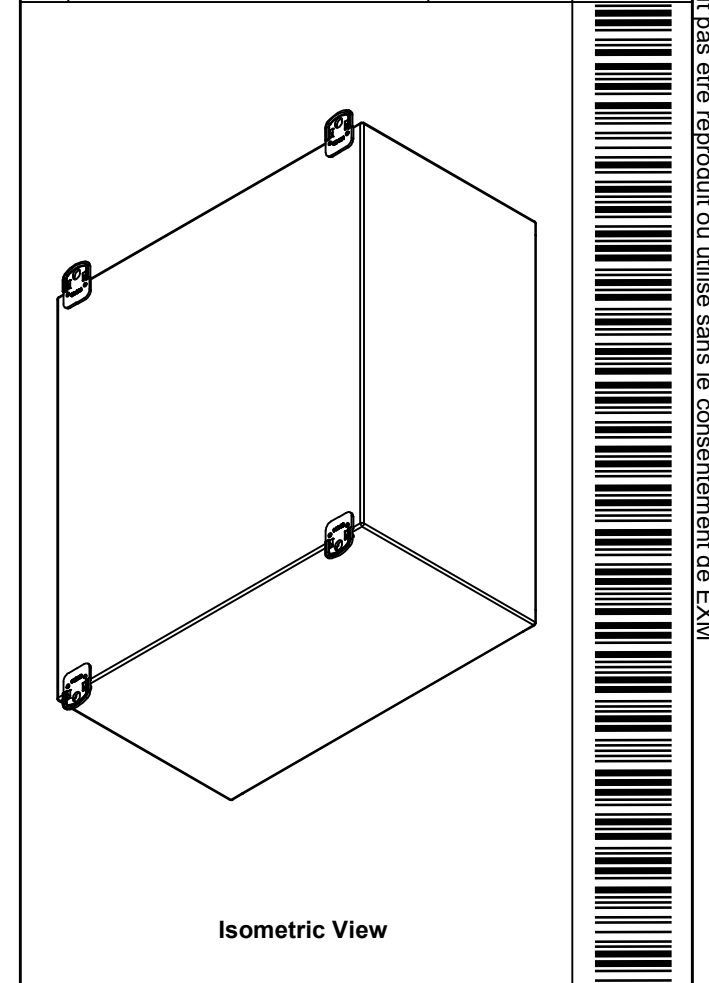



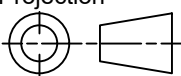
| | | | |
|--|-------------------------------|----------|-----|
| | Description | Status | |
| | 1300DWPFS 16" x 14" x 8" Body | (NULL) | |
| | Part Number Numéro Pièce | Rev. | |
| | 1300DWPFS161408B | 0 | 4/8 |

This drawing is confidential and must not be reproduced or used without the consent of EXM

Ce dessin est confidentiel et ne doit pas être reproduit ou utilisé sans le consentement de EXM

| No. | Revisions | Date | By/Par |
|-----|-----------|------|--------|
| | | | |
| | | | |
| | | | |
| | | | |
| | | | |

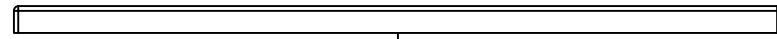


| | | |
|--|------------------------|---|
|  Tél: (450) 979-4373 Fax: (450) 979-4626 www.exmweb.com | | Flatness Aplatissement Max 3.0mm |
| Customer Client | | Projection  |
| Drawn By / Dessiné Par: BoxCad: BoxCad | | Date: 04-Feb-26 |
| Material / Matière: 16 Ga Stainless Steel 304 (1.4mm) | | |
| Color / Couleur: Unpainted | Finish / Fini: Brushed | |
| Description: 1300DWPFS 16" x 14" x 8" Body | | Detail Rev. |
| Part Number / Numéro Pièce: 1300DWPFS161408B | | Rev. 5 0 / 8 |

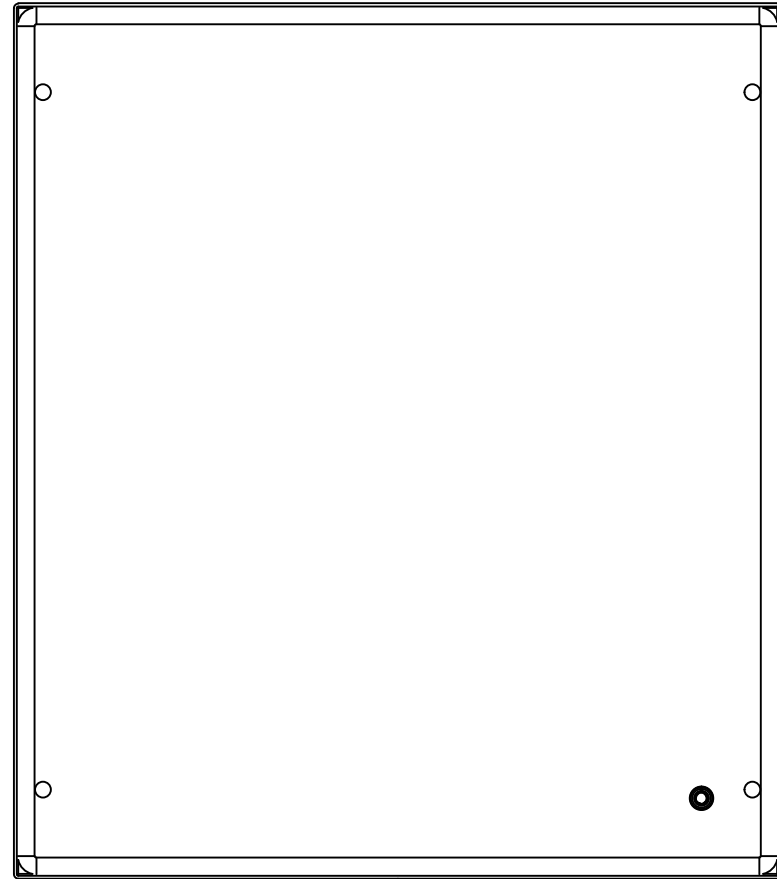
| Qty | Part Number | Rev | Description |
|------------|--------------------|-----|---|
| 1 | STK-Q-08500 | 4 | Stainless Steel Standoff M6 x 10mm |
| 4 | STK-Q-71304 | 4 | 5412 ESSMCH Stainless Steel Mounting Foot |
| 1 | 1300DWPFS161408B-P | 0 | 1300DWPFS 16" x 14" x 8" Body Part |
| Parts List | | | |

This drawing is confidential and must not be reproduced or used without the consent of EXM

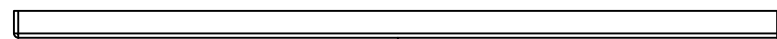
Ce dessin est confidentiel et ne doit pas être reproduit ou utilisé sans le consentement de EXM



TOP



BACK



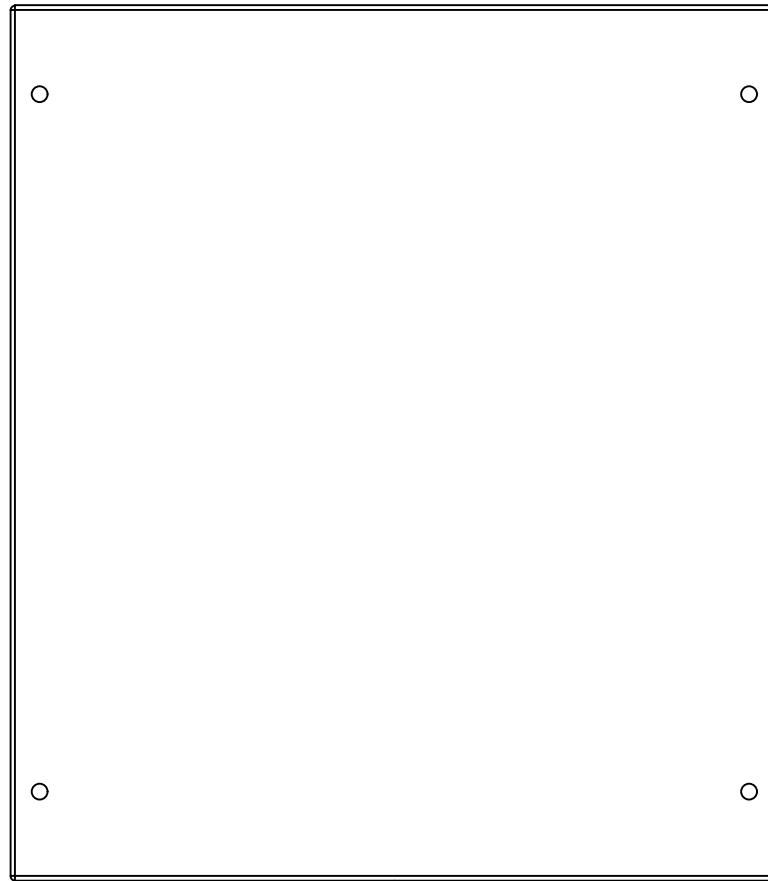
BOTTOM

0.000
0.500



LEFT

0.000



FRONT

14.312

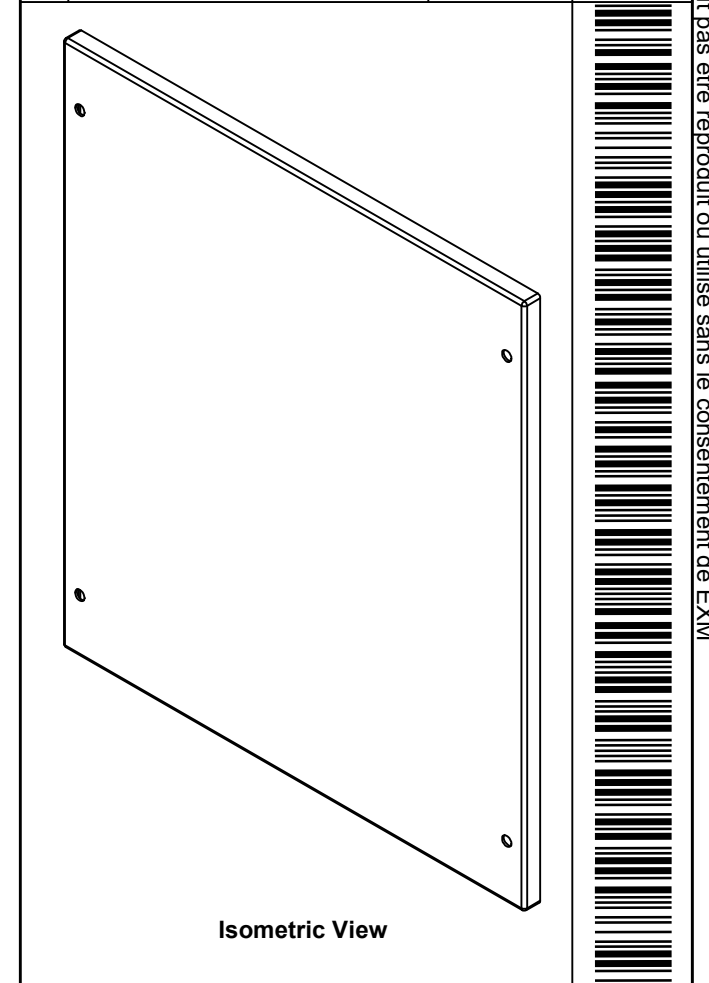
16.312



RIGHT


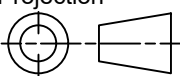
0.000

| No. | Revisions | Date | By/Par |
|-----|-----------|------|--------|
| | | | |
| | | | |
| | | | |
| | | | |



Isometric View



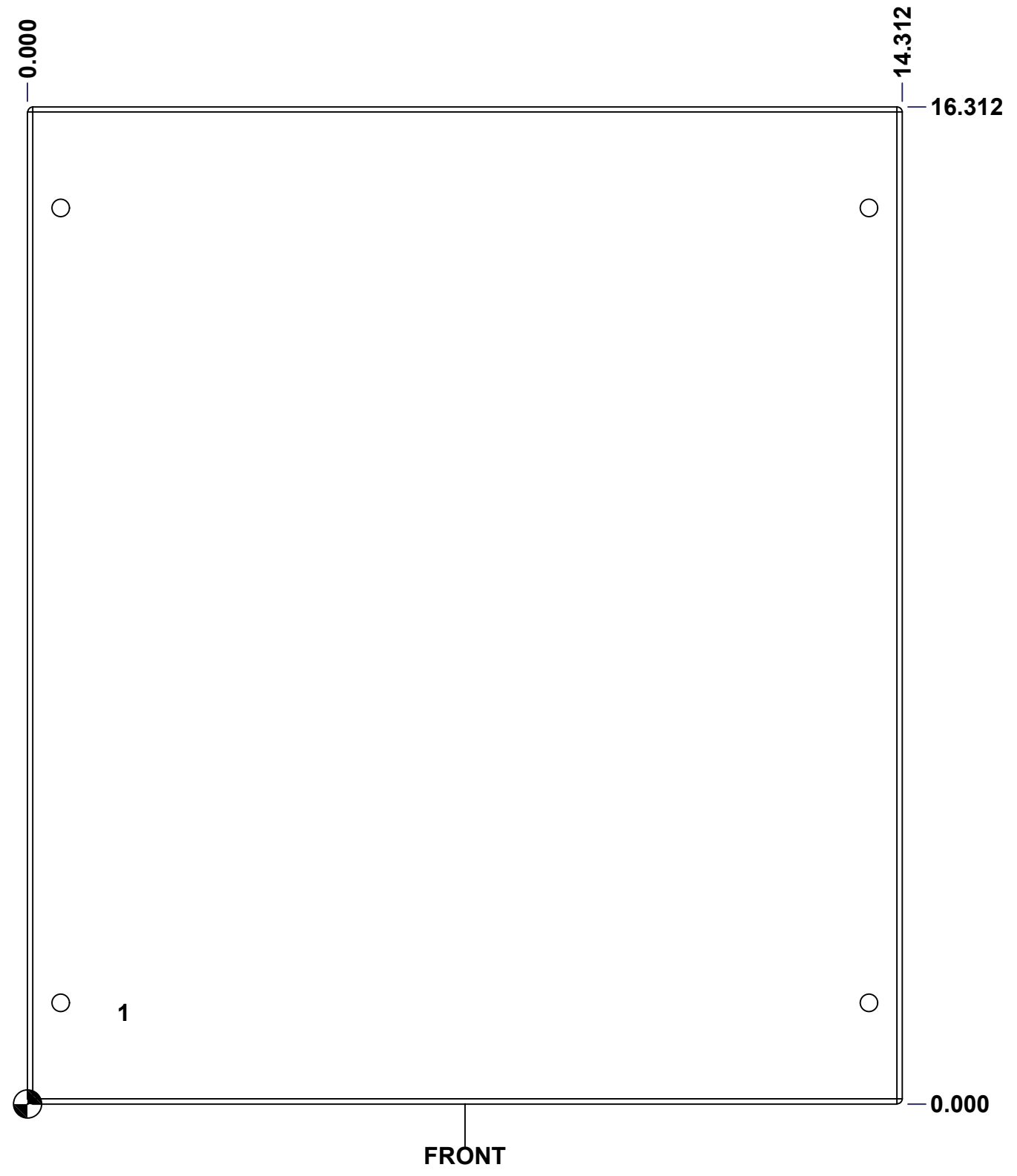
| | | |
|--|-----------------------------------|---|
|  Tél: (450) 979-4373 Fax: (450) 979-4626 www.exmweb.com | | Flatness Aplatissement Max 3.0mm Projection  |
| Customer Client | Date | |
| Drawn By Dessiné Par | BoxCad: BoxCad | Date 04-Feb-26 |
| Material Matière | 16 Ga Stainless Steel 304 (1.4mm) | |
| Color Couleur | Unpainted | Finish Fini Brushed |
| Description | Detail Rev. | |
| 1300DWPFS 16" x 14" Cover | | |
| Part Number Numéro Pièce | Rev. | 6 |
| 1300DWPFS161408C | 0 | 8 |

SEE BILL OF MATERIAL ON LAST PAGE

This drawing is confidential and must not be reproduced or used without the consent of EXM

Ce dessin est confidentiel et ne doit pas être reproduit ou utilisé sans le consentement de EXM

| STANDARD FEATURES ARE NOT LISTED IN THIS HOLE TABLE | | | |
|--|-------|-------|-----------------------------|
| HOLE TABLE - FRONT VIEW (CUSTOM FEATURE ONLY) | | | |
| CUT-OUT | XDIM | YDIM | DESCRIPTION |
| 1 | 1.500 | 1.500 | STANDOFF M6 x 10mm (Inside) |

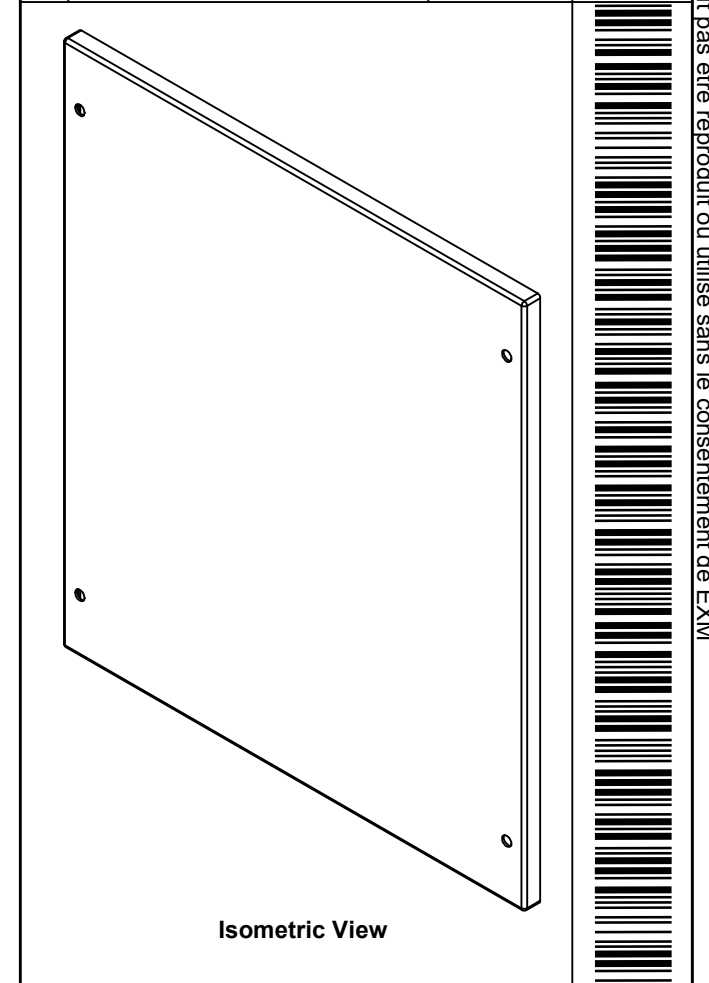



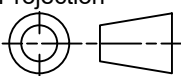
| | | | |
|--|-----------------------------|----------|--------|
| | Description | Status | |
| | 1300DWP 16" x 14" Cover | (NULL) | |
| | Part Number Numéro Pièce | Rev. | |
| | 1300DWPFS161408C | 0 | 7 8 |

This drawing is confidential and must not be reproduced or used without the consent of EXM

Ce dessin est confidentiel et ne doit pas être reproduit ou utilisé sans le consentement de EXM

| No. | Revisions | Date | By/Par |
|-----|-----------|------|--------|
| | | | |
| | | | |
| | | | |
| | | | |
| | | | |



| | | |
|--|------------------------|---|
|  Tél: (450) 979-4373 Fax: (450) 979-4626 www.exmweb.com | | Flatness Aplatissement Max 3.0mm |
| Customer Client | | Projection  |
| Drawn By / Dessiné Par: BoxCad: BoxCad | | Date: 04-Feb-26 |
| Material / Matière: 16 Ga Stainless Steel 304 (1.4mm) | | |
| Color / Couleur: Unpainted | Finish / Fini: Brushed | |
| Description: 1300DWPFS161408C 1300DWPFS161408C-P | | Detail Rev. |
| Part Number / Numéro Pièce: 1300DWPFS161408C | | Rev. 8 0 |

| QTY | Part Number | Rev | Description |
|------------|--------------------|-----|------------------------------------|
| 1 | STK-Q-08500 | 4 | Stainless Steel Standoff M6 x 10mm |
| 1 | 1300DWPFS161408G | 0 | 1300DWPFS 16" x 14" Cover Gasket |
| 1 | 1300DWPFS161408C-P | 0 | 1300DWPFS 16" x 14" Cover Part |
| Parts List | | | |