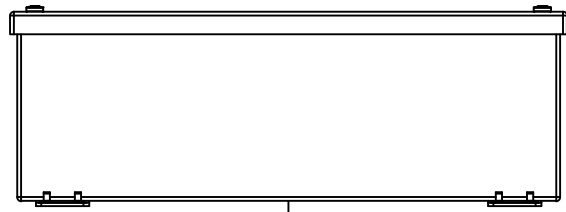
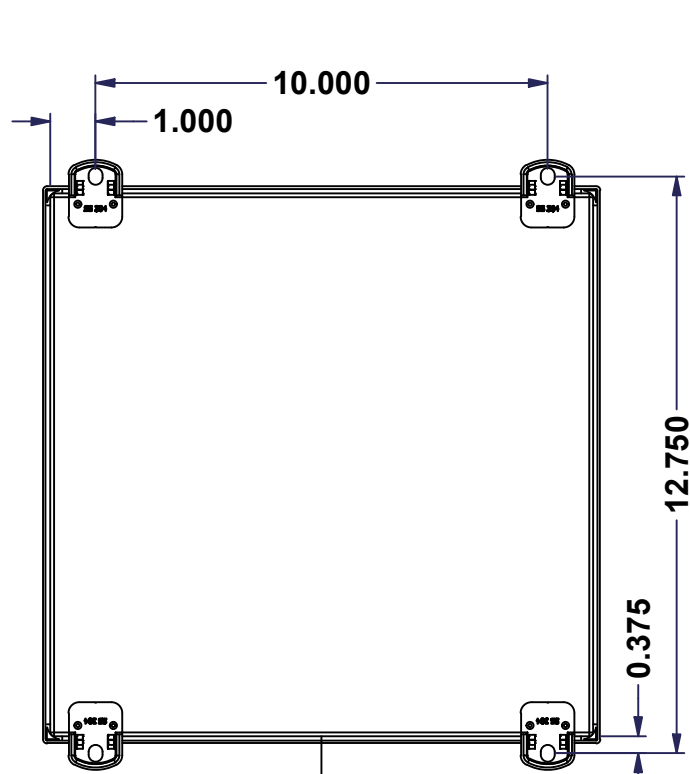


This drawing is confidential and must not be reproduced or used without the consent of EXM

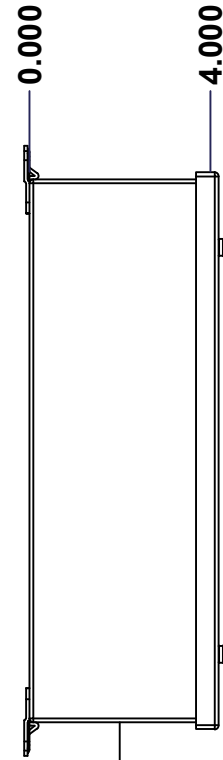
Ce dessin est confidentiel et ne doit pas être reproduit ou utilisé sans le consentement de EXM



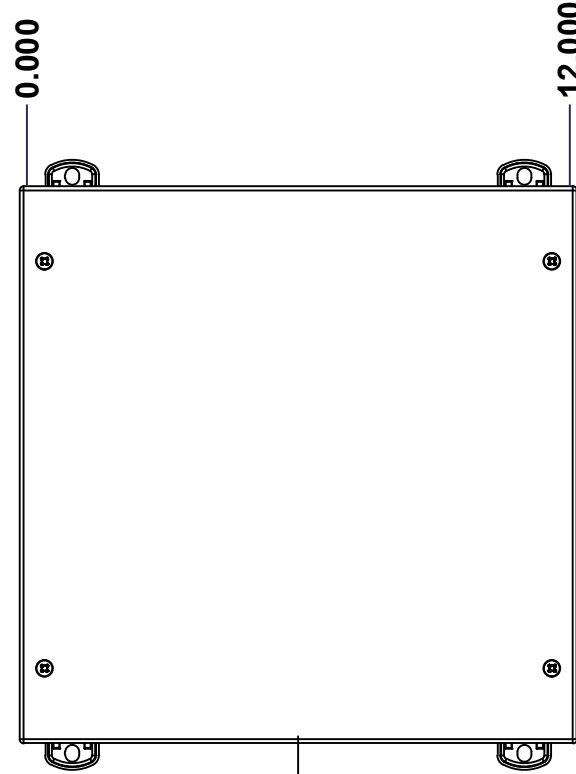
TOP



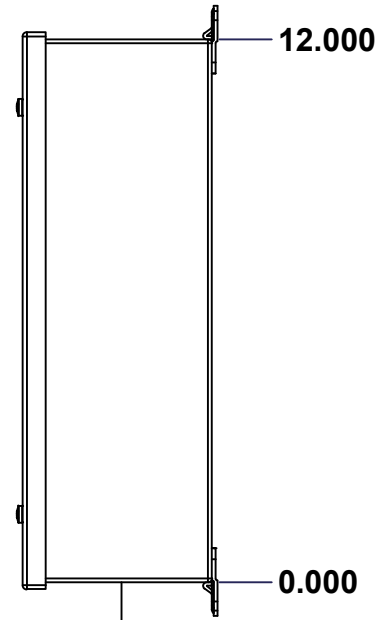
BACK



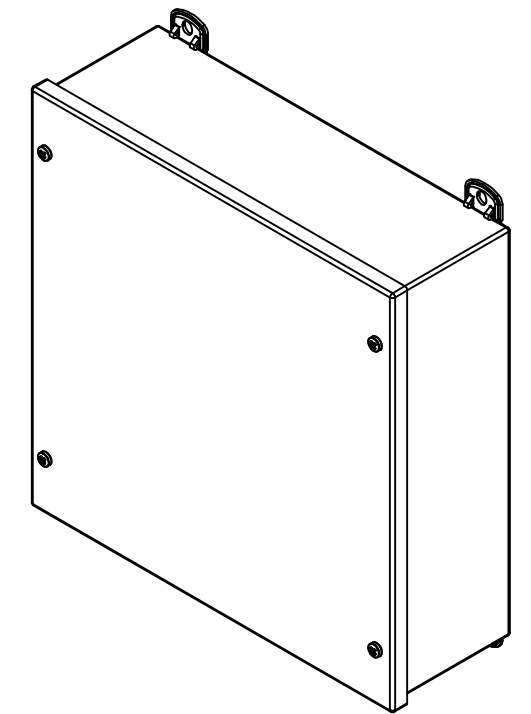
LEFT



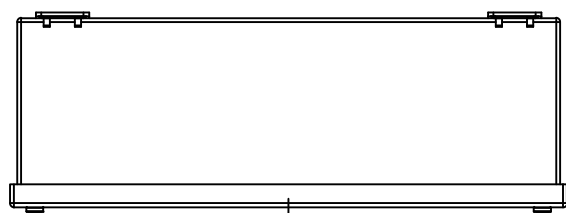
FRONT



RIGHT


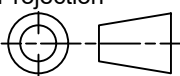


Isometric View



BOTTOM

| No. | Revisions | Date | By/Par |
|-----|-----------|------|--------|
| | | | |
| | | | |
| | | | |
| | | | |

| | | |
|--|-----------------------------------|---|
|  Tél: (450) 979-4373 Fax: (450) 979-4626 www.exmweb.com | | Flatness Aplatissement Max 3.0mm Projection  |
| Customer Client | Date | |
| Drawn By Dessiné Par | BoxCad: BoxCad | Date 06-Feb-26 |
| Material Matière | 16 Ga Stainless Steel 304 (1.4mm) | |
| Color Couleur | Asa-61 Grey | Finish Fini Smooth |
| Description | Detail Rev. | |
| 1300DWPFSPP 12" x 12" x 4" Assembly | | |
| Part Number Numéro Pièce | Rev. 0 | 1 / 8 |
| 1300DWPFSPP121204 | | |

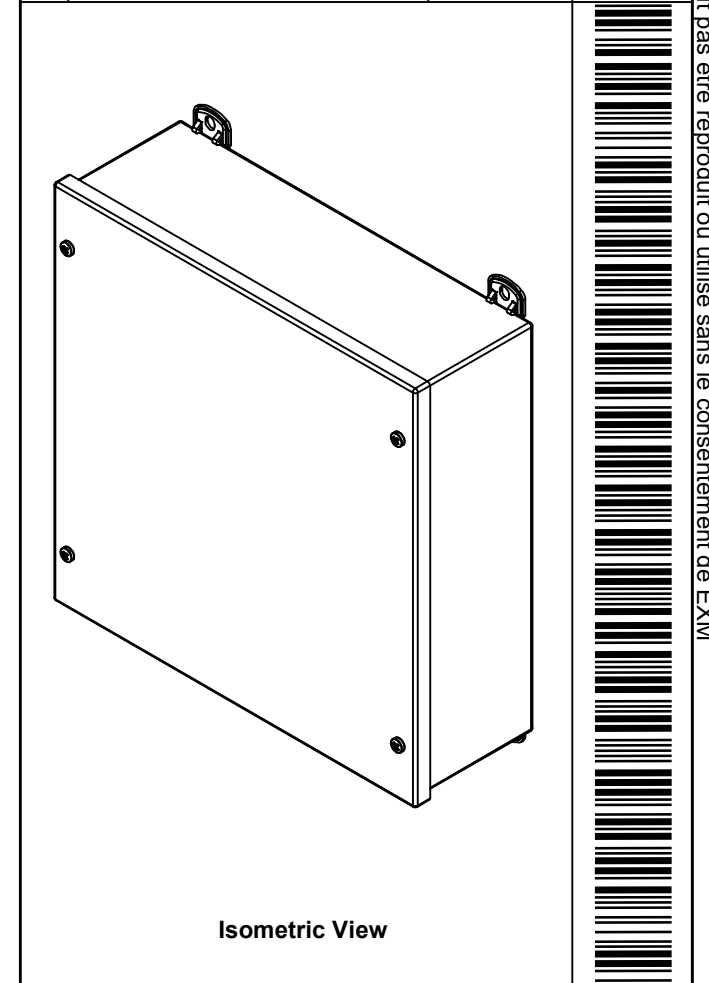
SEE BILL OF MATERIAL ON LAST PAGE


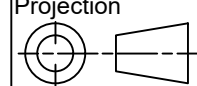
This drawing is confidential and must not be reproduced or used without the consent of EXM

Ce dessin est confidentiel et ne doit pas être reproduit ou utilisé sans le consentement de EXM

| NOTE | |
|------|------------------------------------|
| ITEM | DESCRIPTION |
| 1 | NEMA 3, 3R Enclosure (IP64) |
| 2 | W/O Standard door stiffener |
| 3 | W/O Inner panel |
| 4 | W/O Inner panel mounting standoffs |

| No. | Revisions | Date | By/Par |
|-----|-----------|------|--------|
| | | | |
| | | | |
| | | | |
| | | | |
| | | | |
| | | | |



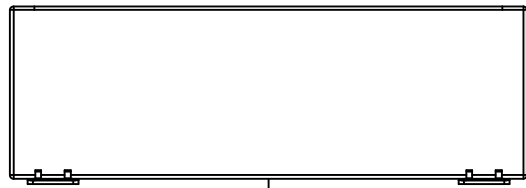
| | | |
|--|-----------------------------------|---|
|  Tél: (450) 979-4373 Fax: (450) 979-4626 www.exmweb.com | | Flatness Aplatissement Max 3.0mm Projection  |
| Customer Client | Date | |
| Drawn By Dessiné Par | BoxCad: BoxCad | Date 06-Feb-26 |
| Material Matière | 16 Ga Stainless Steel 304 (1.4mm) | |
| Color Couleur | Asa-61 Grey | Finish Fini Smooth |
| Description | Detail Rev. | |
| 1300DWPFSPP 12" x 12" x 4" Assembly | | |
| Part Number Numéro Pièce | 1300DWPFSPP121204 | Rev. 0 |
| | | 2 8 |

| PACKING | | |
|----------------------|-----|---|
| ITEM | QTY | DESCRIPTION |
| Thermal plastic film | 1 | Use with Packing Tunnel Wrapper Machine |
| Packaging label | 1 | White label with product number |

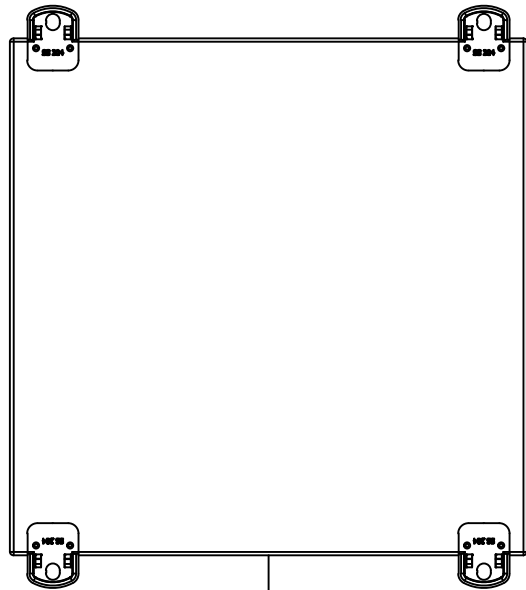
| Qty | Part Number | Rev | Description |
|------------|--------------------|-----|--|
| 1 | STK-K-11450 | 1 | 1300 DWPFSPP Stainless Steel Accessory Kit |
| 1 | 1300DWPFSPP121204C | 0 | 1300DWPFSPP 12" x 12" Cover |
| 1 | 1300DWPFSPP121204B | 0 | 1300DWPFSPP 12" x 12" x 4" Body |
| Parts List | | | |

This drawing is confidential and must not be reproduced or used without the consent of EXM

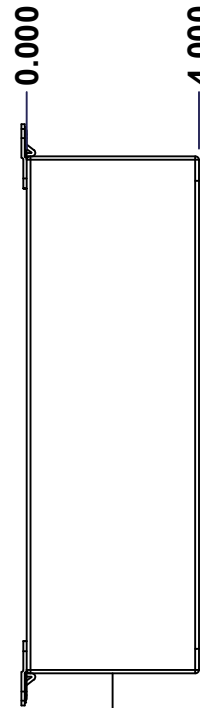
Ce dessin est confidentiel et ne doit pas être reproduit ou utilisé sans le consentement de EXM



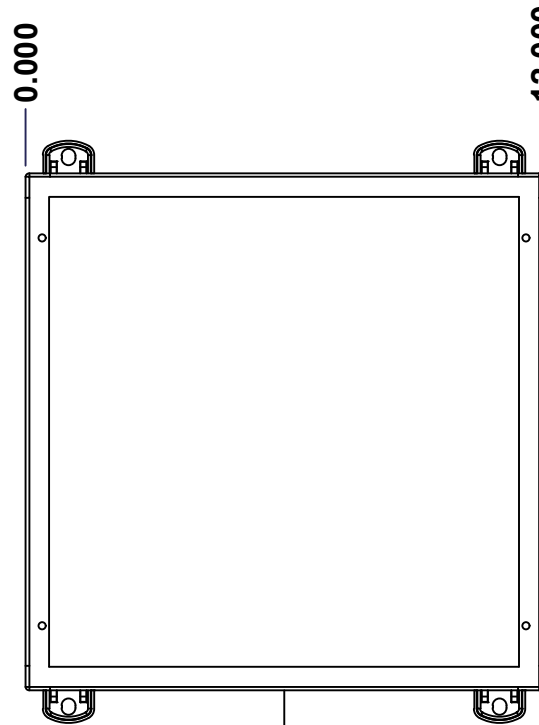
TOP



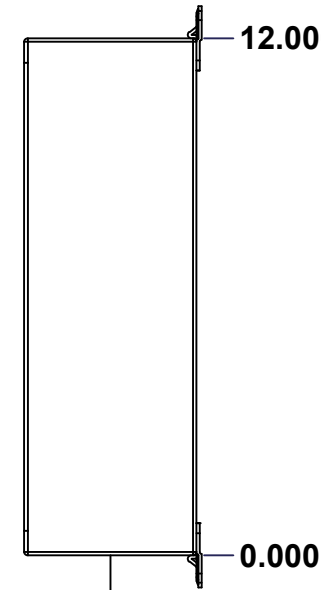
BACK



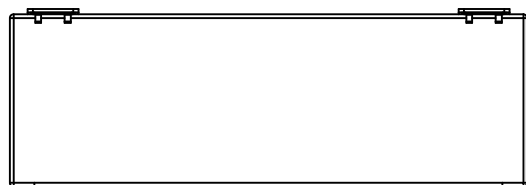
LEFT



FRONT

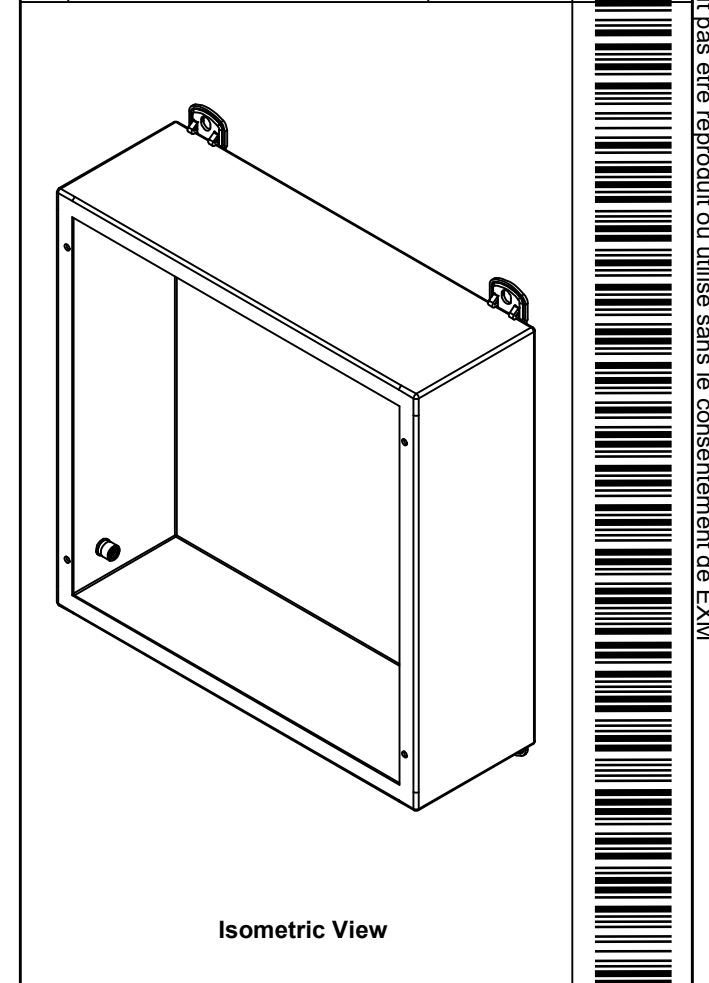


RIGHT


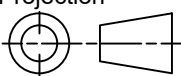


BOTTOM

| No. | Revisions | Date | By/Par |
|-----|-----------|------|--------|
| | | | |
| | | | |
| | | | |
| | | | |



Isometric View

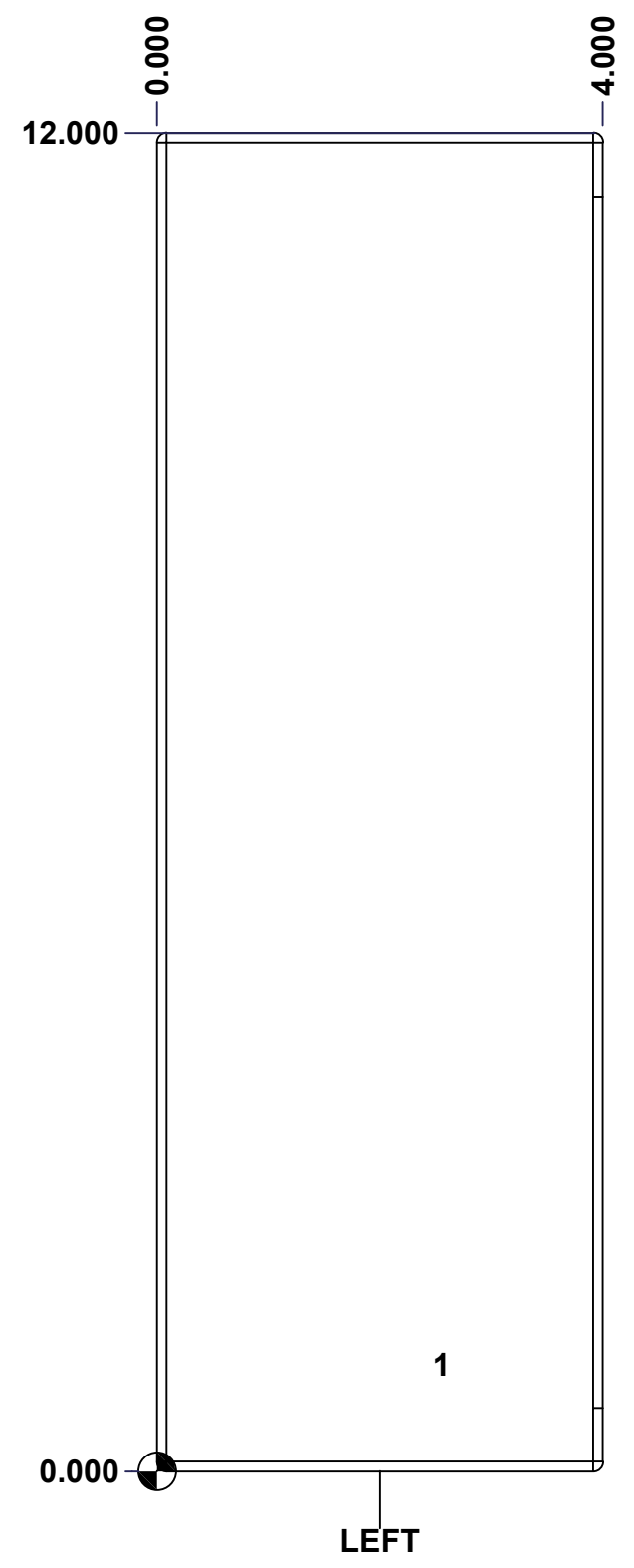
| | | |
|--|-----------------------------------|---|
|  Tél: (450) 979-4373 Fax: (450) 979-4626 www.exmweb.com | | Flatness Aplatissement Max 3.0mm Projection  |
| Customer Client | Date | |
| Drawn By Dessiné Par | BoxCad: BoxCad | Date 06-Feb-26 |
| Material Matière | 16 Ga Stainless Steel 304 (1.4mm) | |
| Color Couleur | Asa-61 Grey | Finish Fini Smooth |
| Description | Detail Rev. | |
| 1300DWPFSPP 12" x 12" x 4" Body | | |
| Part Number Numéro Pièce | Rev. 0 | 3 8 |

SEE BILL OF MATERIAL ON LAST PAGE **1300DWPFSPP121204B**

This drawing is confidential and must not be reproduced or used without the consent of EXM

Ce dessin est confidentiel et ne doit pas être reproduit ou utilisé sans le consentement de EXM

| STANDARD FEATURES ARE NOT LISTED IN THIS HOLE TABLE | | | |
|--|-------|-------|-----------------------------|
| HOLE TABLE - LEFT VIEW (CUSTOM FEATURE ONLY) | | | |
| CUT-OUT | XDIM | YDIM | DESCRIPTION |
| 1 | 2.500 | 0.964 | STANDOFF M6 x 10mm (Inside) |

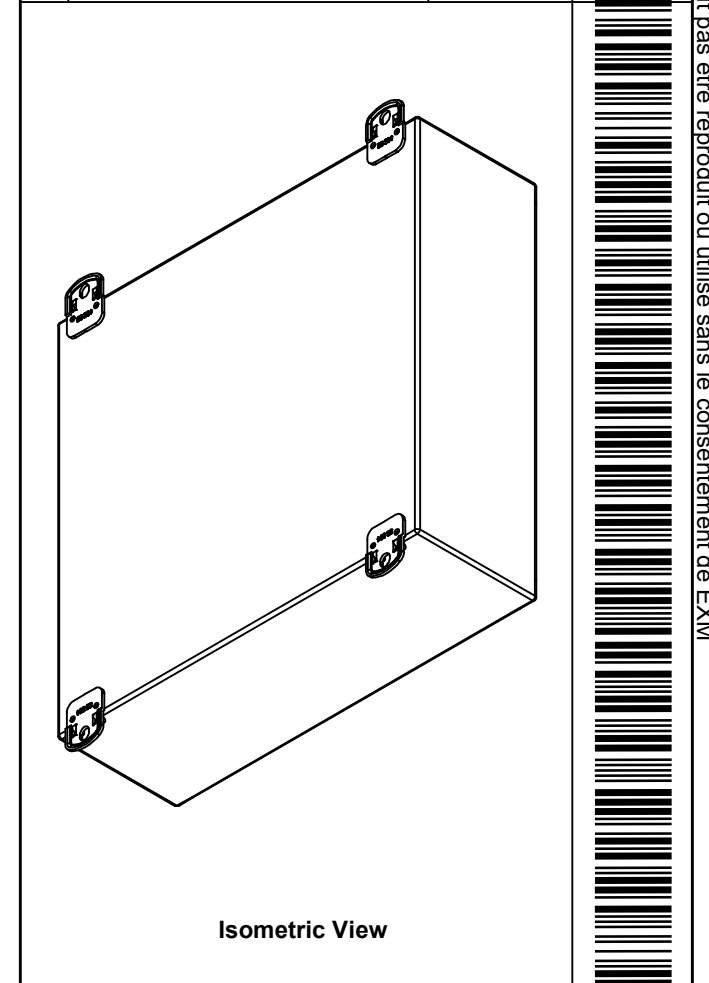



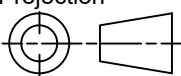
| | | |
|---|-------------------------------|--------|
| | Description | Status |
| | 1300DWPFF 12" x 12" x 4" Body | (NULL) |
| Part Number Numéro Pièce 1300DWPFFSSP121204B | Rev. | 4 |
| | 0 | 8 |

This drawing is confidential and must not be reproduced or used without the consent of EXM

Ce dessin est confidentiel et ne doit pas être reproduit ou utilisé sans le consentement de EXM

| No. | Revisions | Date | By/Par |
|-----|-----------|------|--------|
| | | | |
| | | | |
| | | | |
| | | | |
| | | | |

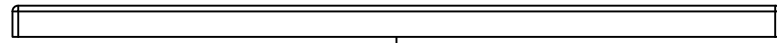


| | | |
|--|-----------------------------------|---|
|  Tél: (450) 979-4373 Fax: (450) 979-4626 www.exmweb.com | | Flatness Aplatissement Max 3.0mm Projection  |
| Customer Client | Date | |
| Drawn By Dessiné Par | BoxCad: BoxCad | Date 06-Feb-26 |
| Material Matière | 16 Ga Stainless Steel 304 (1.4mm) | |
| Color Couleur | Asa-61 Grey | Finish Fini Smooth |
| Description | Detail Rev. | |
| 1300DWPFSPP 12" x 12" x 4" Body | | |
| Part Number Numéro Pièce | Rev. | 5 |
| 1300DWPFSPP121204B | 0 | 8 |

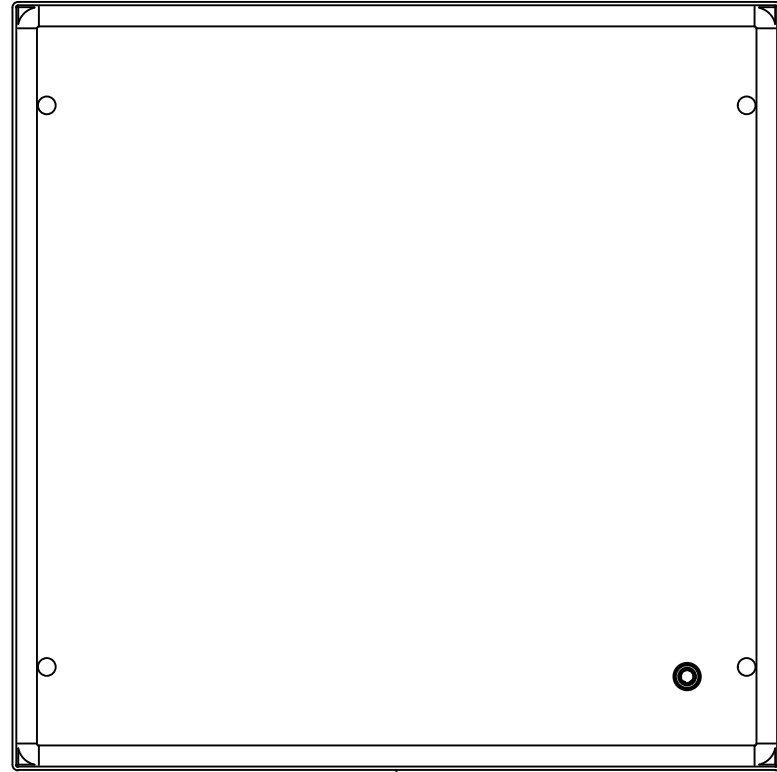
| Qty | Part Number | Rev | Description |
|------------|----------------------|-----|---|
| 1 | STK-Q-08500 | 4 | Stainless Steel Standoff M6 x 10mm |
| 1 | STK-P-02400S | 0 | Powder Paint (Asa-61 Grey / Smooth) |
| 4 | STK-Q-71304 | 4 | 5412 ESSMCH Stainless Steel Mounting Foot |
| 1 | 1300DWPFSPP121204B-P | 0 | 1300DWPFSPP 12" x 12" x 4" Body Part |
| Parts List | | | |

This drawing is confidential and must not be reproduced or used without the consent of EXM

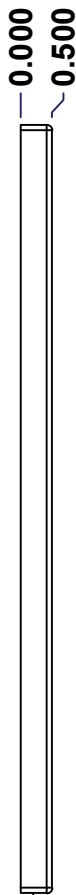
Ce dessin est confidentiel et ne doit pas être reproduit ou utilisé sans le consentement de EXM



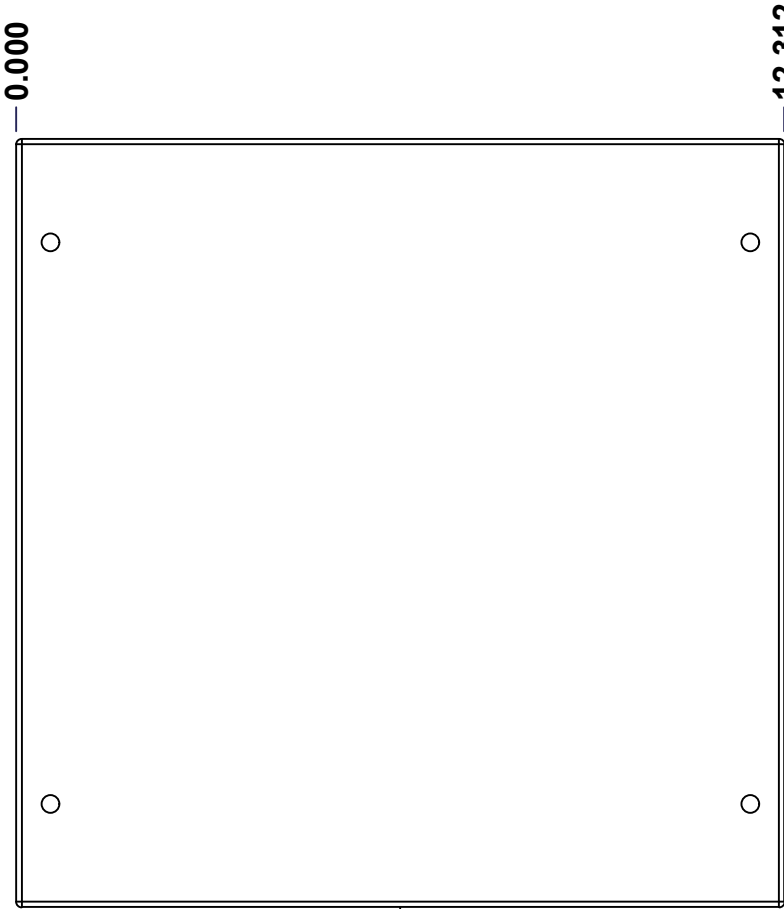
TOP



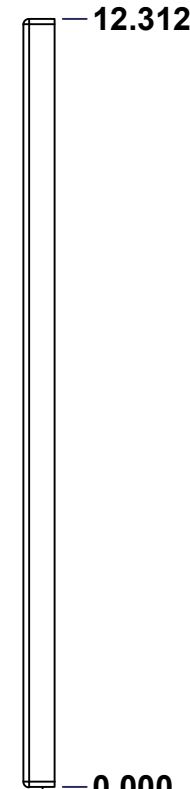
BACK



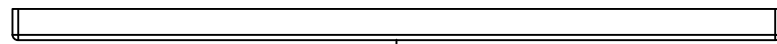
LEFT



FRONT

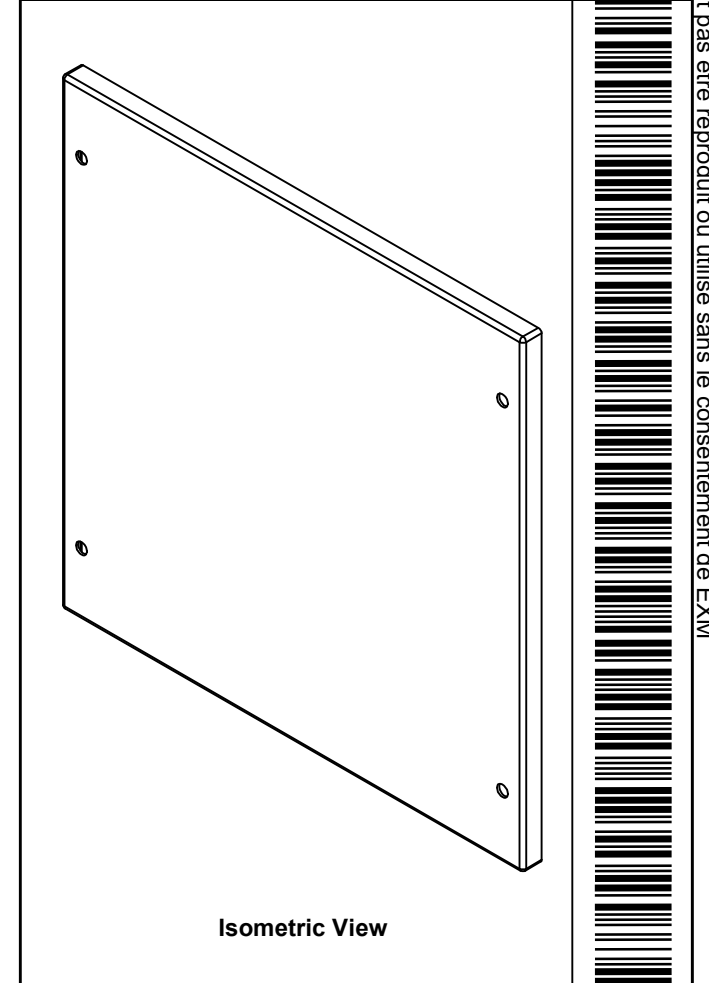


RIGHT


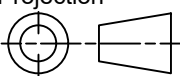


BOTTOM

| No. | Revisions | Date | By/Par |
|-----|-----------|------|--------|
| | | | |
| | | | |
| | | | |
| | | | |



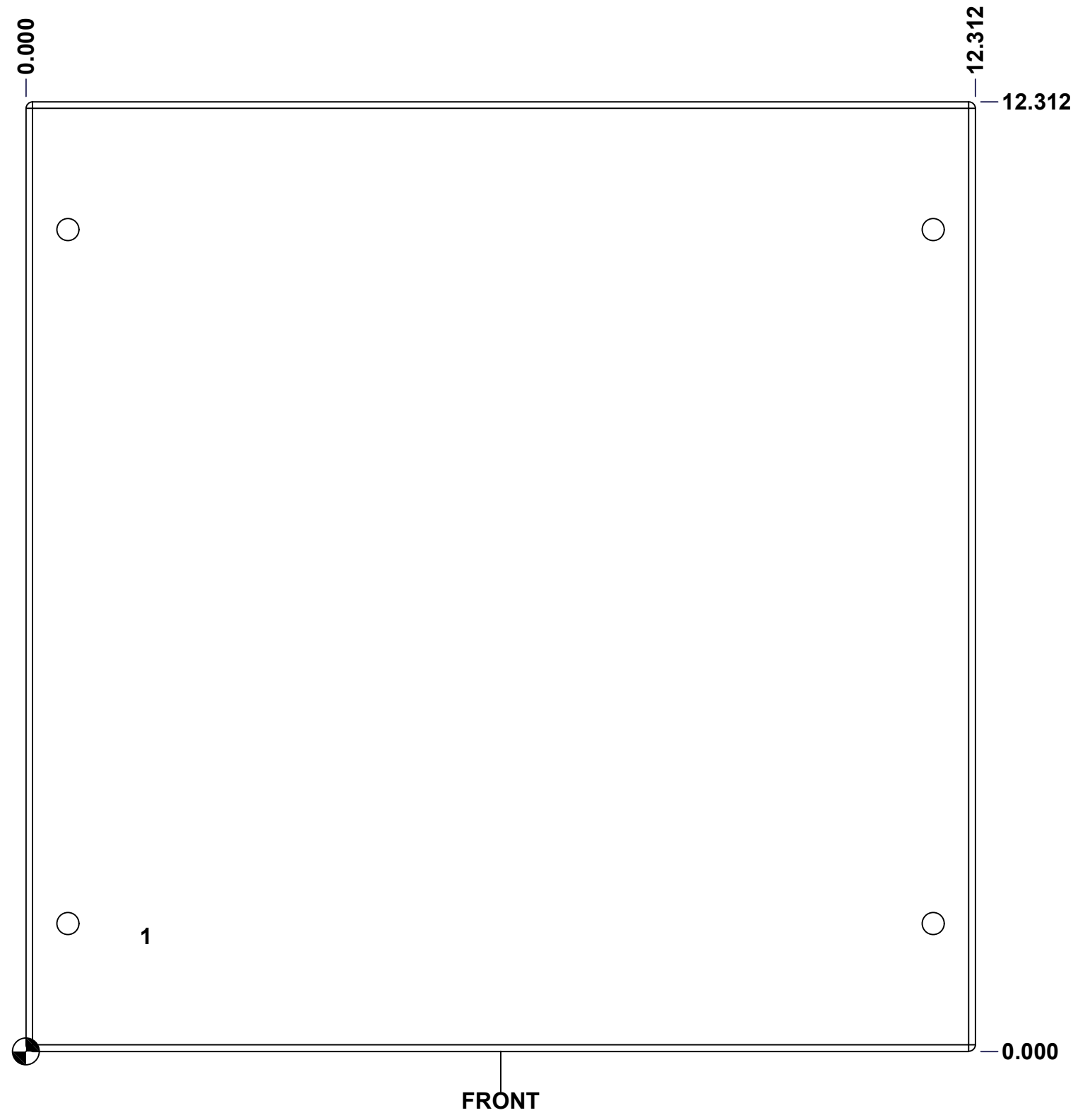
Isometric View

| | | |
|--|-----------------------------------|---|
|  Tél: (450) 979-4373 Fax: (450) 979-4626 www.exmweb.com | | Flatness Aplatissement Max 3.0mm Projection  |
| Customer Client | Date | |
| Drawn By Dessiné Par | BoxCad: BoxCad | Date 06-Feb-26 |
| Material Matière | 16 Ga Stainless Steel 304 (1.4mm) | |
| Color Couleur | Asa-61 Grey | Finish Fini Smooth |
| Description | Detail Rev. | |
| 1300DWPFSPP 12" x 12" Cover | | |
| Part Number Numéro Pièce | Rev. 0 | 6 8 |
| SEE BILL OF MATERIAL ON LAST PAGE 1300DWPFSPP121204C | | |

This drawing is confidential and must not be reproduced or used without the consent of EXM

Ce dessin est confidentiel et ne doit pas être reproduit ou utilisé sans le consentement de EXM

| STANDARD FEATURES ARE NOT LISTED IN THIS HOLE TABLE | | | |
|---|-------|-------|-----------------------------|
| HOLE TABLE - FRONT VIEW (CUSTOM FEATURE ONLY) | | | |
| CUT-OUT | XDIM | YDIM | DESCRIPTION |
| 1 | 1.500 | 1.500 | STANDOFF M6 x 10mm (Inside) |

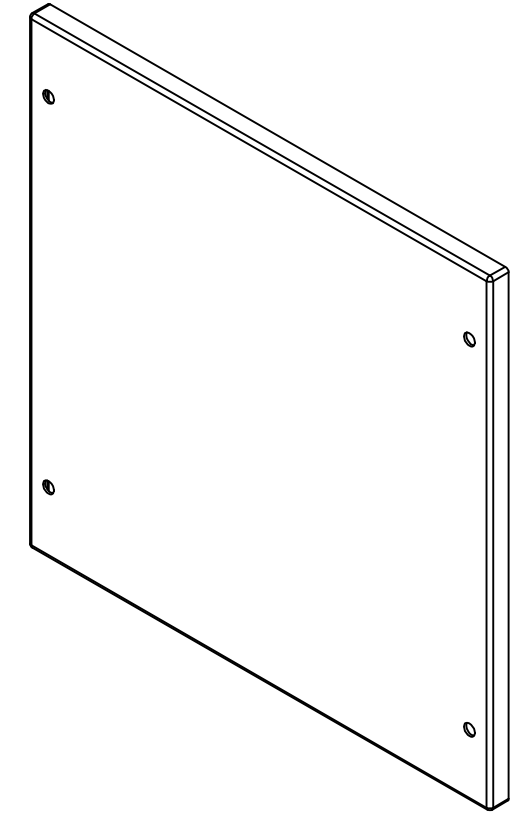


| | | |
|--|-----------------------------|----------|
| | Description | Status |
| | 1300DWPFF 12" x 12" Cover | (NULL) |
| | Part Number Numéro Pièce | Rev. |
| | 1300DWPFFSSP121204C | 0 |
| | | 7 |
| | | 8 |

This drawing is confidential and must not be reproduced or used without the consent of EXM


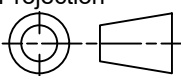
Ce dessin est confidentiel et ne doit pas être reproduit ou utilisé sans le consentement de EXM

| No. | Revisions | Date | By/Par |
|-----|-----------|------|--------|
| | | | |
| | | | |
| | | | |
| | | | |
| | | | |



Isometric View



| | | |
|--|-----------------------|---|
|  Tél: (450) 979-4373 Fax: (450) 979-4626 www.exmweb.com | | Flatness Aplatissement Max 3.0mm |
| Customer Client | | Projection  |
| Drawn By / Dessiné Par: BoxCad: BoxCad | | Date: 06-Feb-26 |
| Material / Matière: 16 Ga Stainless Steel 304 (1.4mm) | | |
| Color / Couleur: Asa-61 Grey | Finish / Fini: Smooth | |
| Description: 1300DWPFSPP 12" x 12" Cover | | Detail Rev. |
| Part Number / Numéro Pièce: 1300DWPFSPP121204C | | Rev. 8 0 |

| QTY | Part Number | Rev | Description |
|------------|----------------------|-----|-------------------------------------|
| 1 | STK-Q-08500 | 4 | Stainless Steel Standoff M6 x 10mm |
| 1 | STK-P-02400S | 0 | Powder Paint (Asa-61 Grey / Smooth) |
| 1 | 1300DWPFSPP121204G | 0 | 1300DWPFSPP 12" x 12" Cover Gasket |
| 1 | 1300DWPFSPP121204C-P | 0 | 1300DWPFSPP 12" x 12" Cover Part |
| Parts List | | | |