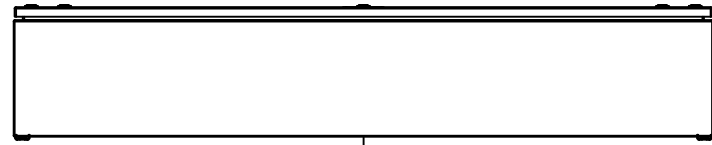
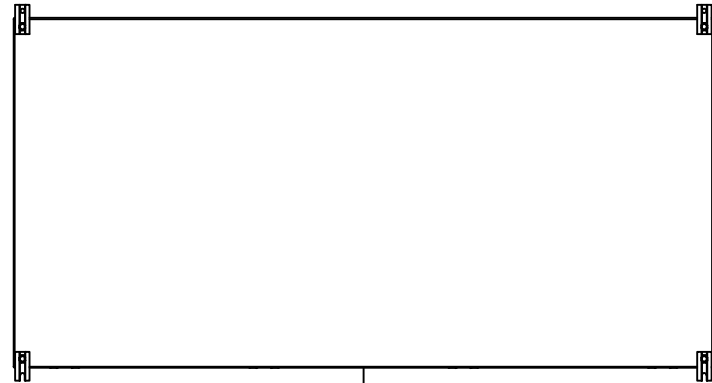


This drawing is confidential and must not be reproduced or used without the consent of EXM

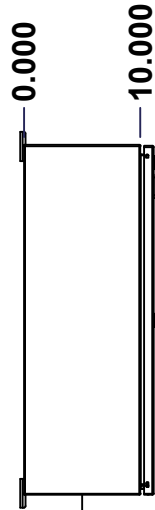
Ce dessin est confidentiel et ne doit pas être reproduit ou utilisé sans le consentement de EXM



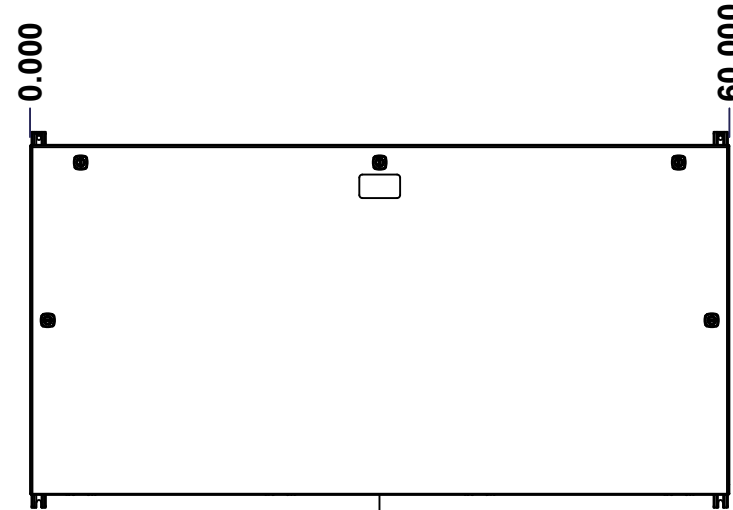
TOP



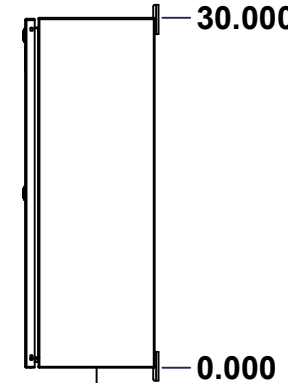
BACK



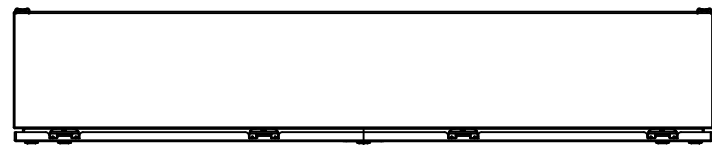
LEFT



FRONT

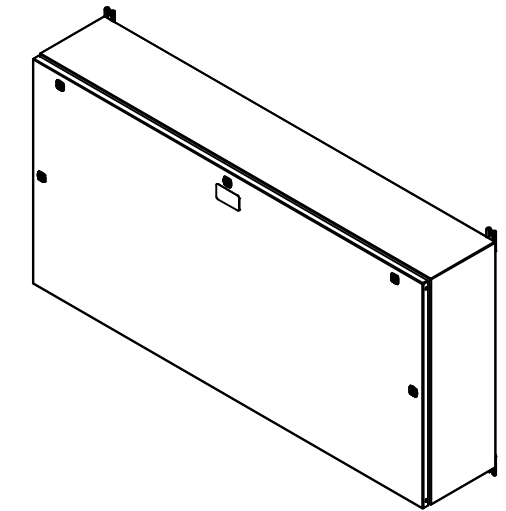


RIGHT



BOTTOM

| No. | Revisions | Date | By/Par |
|-----|-----------|------|--------|
|     |           |      |        |
|     |           |      |        |
|     |           |      |        |
|     |           |      |        |



Isometric View

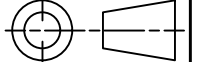


Tél: (450) 979-4373  
 Fax: (450) 979-4626  
[www.exmweb.com](http://www.exmweb.com)

Flatness  
Aplatissement

Max 3.0mm

Projection



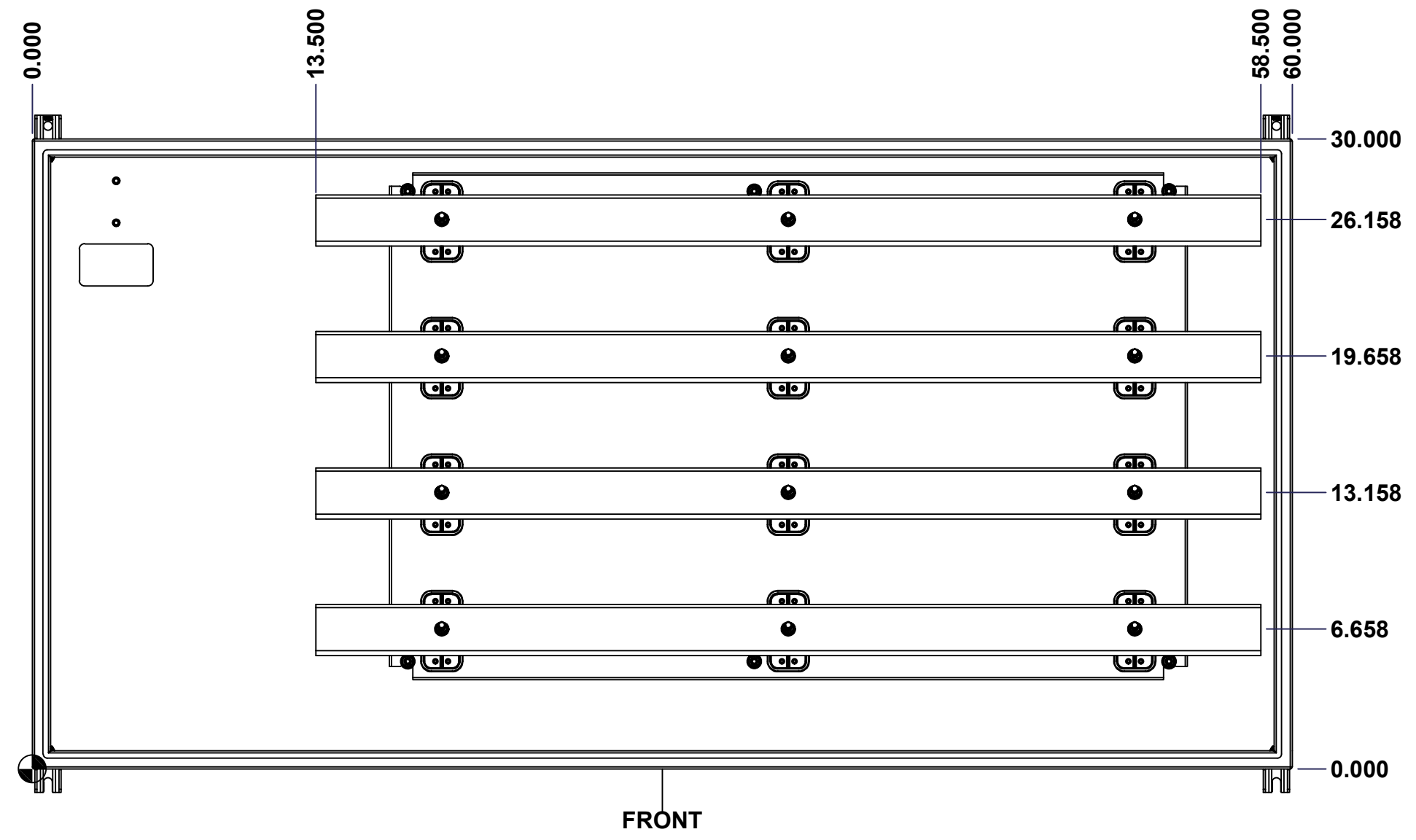
|   |                       |
|---|-----------------------|
| Customer Client   | Date                  |
| Drawn By<br>Dessiné Par BoxCad: BoxCad                        | Date 07-Sep-22        |
| Material<br>Matière 14 Ga Cold Rolled A1008 CS Type B (1.7mm) |                       |
| Color<br>Couleur Asa-61 Grey                                  | Finish<br>Fini Smooth |
| Description<br>1412BT 600A - 4Wires x 60" Assembly            | Detail Rev.           |
| Part Number<br>Numéro Pièce <b>1412BT05604</b>                | Rev. <b>0</b>         |

SEE BILL OF MATERIAL ON LAST PAGE

This drawing is confidential and must not be reproduced or used without the consent of Eurobox

**STANDARD FEATURES ARE NOT LISTED IN THIS HOLE TABLE**

Ce dessin est confidentiel et ne doit pas être reproduit ou utilisé sans le consentement de Eurobox

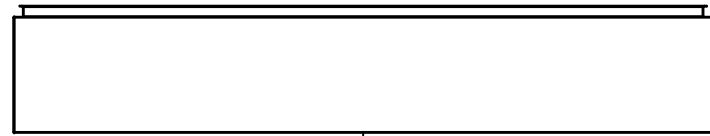


|                             |                                     |        |
|-----------------------------|-------------------------------------|--------|
|                             | Description                         | Status |
|                             | 1412BT 600A - 4Wires x 60" Assembly | (NULL) |
| Part Number<br>Numéro Pièce | Rev.                                | 2      |
| <b>1412BT05604</b>          | <b>0</b>                            | 11     |

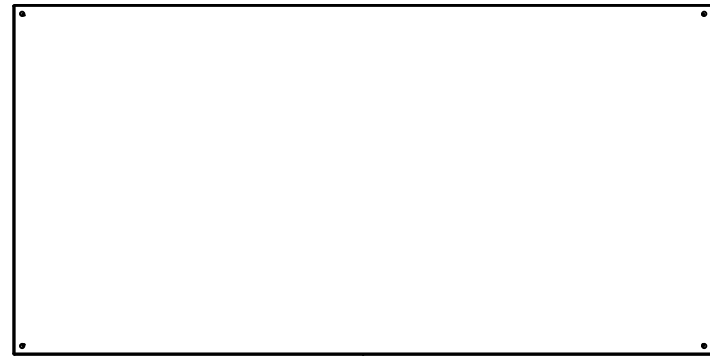


This drawing is confidential and must not be reproduced or used without the consent of EXM

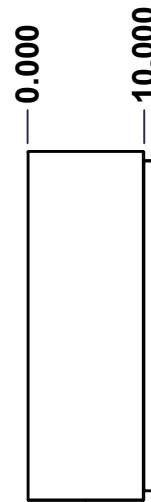
Ce dessin est confidentiel et ne doit pas être reproduit ou utilisé sans le consentement de EXM



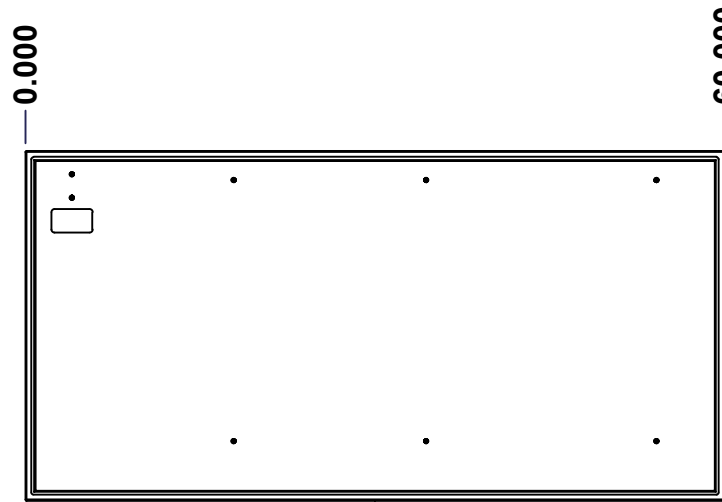
TOP



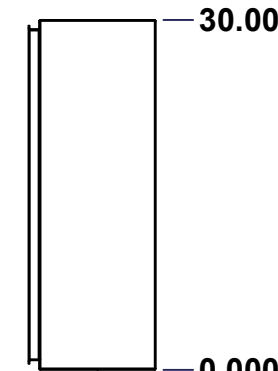
BACK



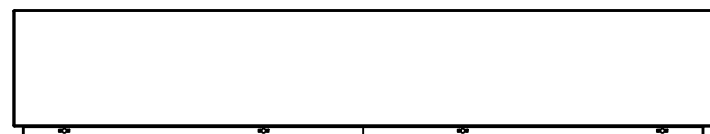
LEFT



FRONT

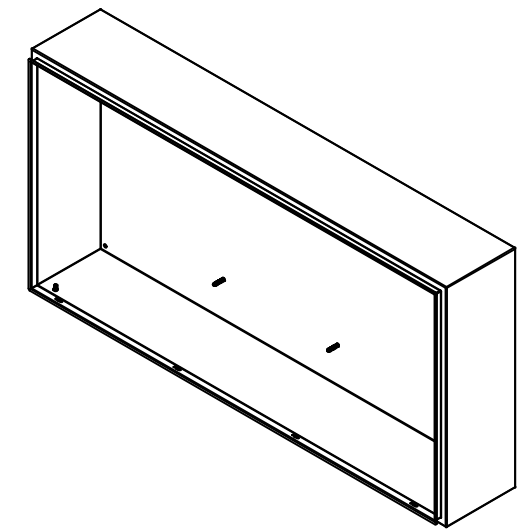


RIGHT



BOTTOM

| No. | Revisions | Date | By/Par |
|-----|-----------|------|--------|
|     |           |      |        |
|     |           |      |        |
|     |           |      |        |
|     |           |      |        |
|     |           |      |        |



Isometric View

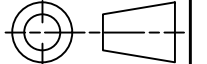


Tél: (450) 979-4373  
 Fax: (450) 979-4626  
[www.exmweb.com](http://www.exmweb.com)

Flatness  
Aplatissement

Max 3.0mm

Projection



|   |                       |
|---|-----------------------|
| Customer Client   | Date                  |
| Drawn By<br>Dessiné Par BoxCad: BoxCad                        | Date 07-Sep-22        |
| Material<br>Matière 14 Ga Cold Rolled A1008 CS Type B (1.7mm) |                       |
| Color<br>Couleur Asa-61 Grey                                  | Finish<br>Fini Smooth |
| Description<br>1412BT 30" x 60" x 10" Body                    | Detail Rev.           |
| Part Number<br>Numéro Pièce <b>1412BT05604B</b>               | Rev. <b>0</b>         |

SEE BILL OF MATERIAL ON LAST PAGE

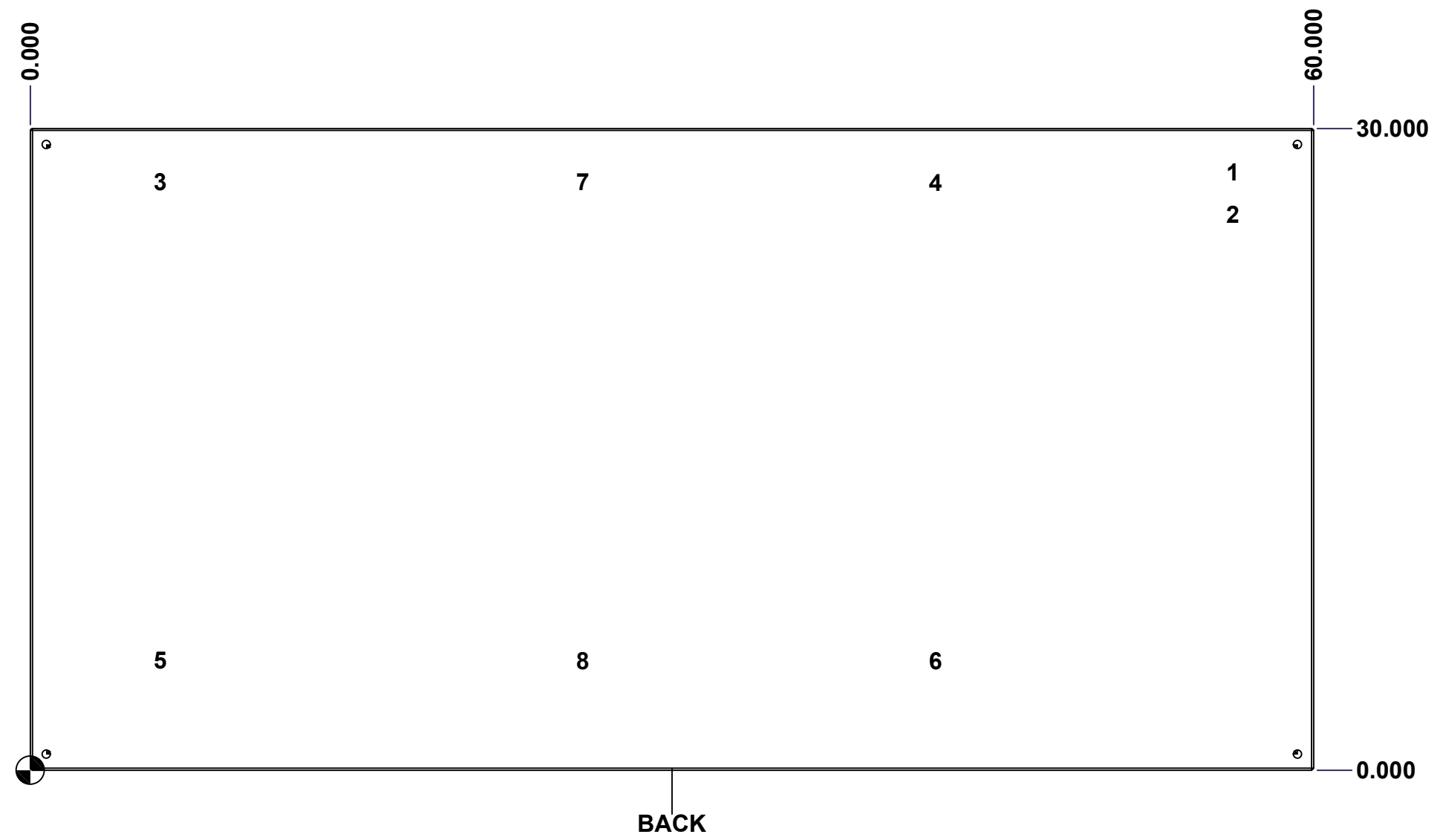
This drawing is confidential and must not be reproduced or used without the consent of Eurobox

Ce dessin est confidentiel et ne doit pas être reproduit ou utilisé sans le consentement de Eurobox

**STANDARD FEATURES ARE NOT LISTED IN THIS HOLE TABLE**

**HOLE TABLE - BACK VIEW (CUSTOM FEATURE ONLY)**

| CUT-OUT | XDIM   | YDIM   | DESCRIPTION                 |
|---------|--------|--------|-----------------------------|
| 1       | 56.000 | 28.000 | GND STUD M8 x 35mm (Inside) |
| 2       | 56.000 | 26.000 | GND STUD M8 x 35mm (Inside) |
| 3       | 5.875  | 27.500 | IP STUD M8 x 35mm (Inside)  |
| 4       | 42.125 | 27.500 | IP STUD M8 x 35mm (Inside)  |
| 5       | 5.875  | 5.125  | IP STUD M8 x 35mm (Inside)  |
| 6       | 42.125 | 5.125  | IP STUD M8 x 35mm (Inside)  |
| 7       | 25.625 | 27.500 | IP STUD M8 x 35mm (Inside)  |
| 8       | 25.625 | 5.125  | IP STUD M8 x 35mm (Inside)  |

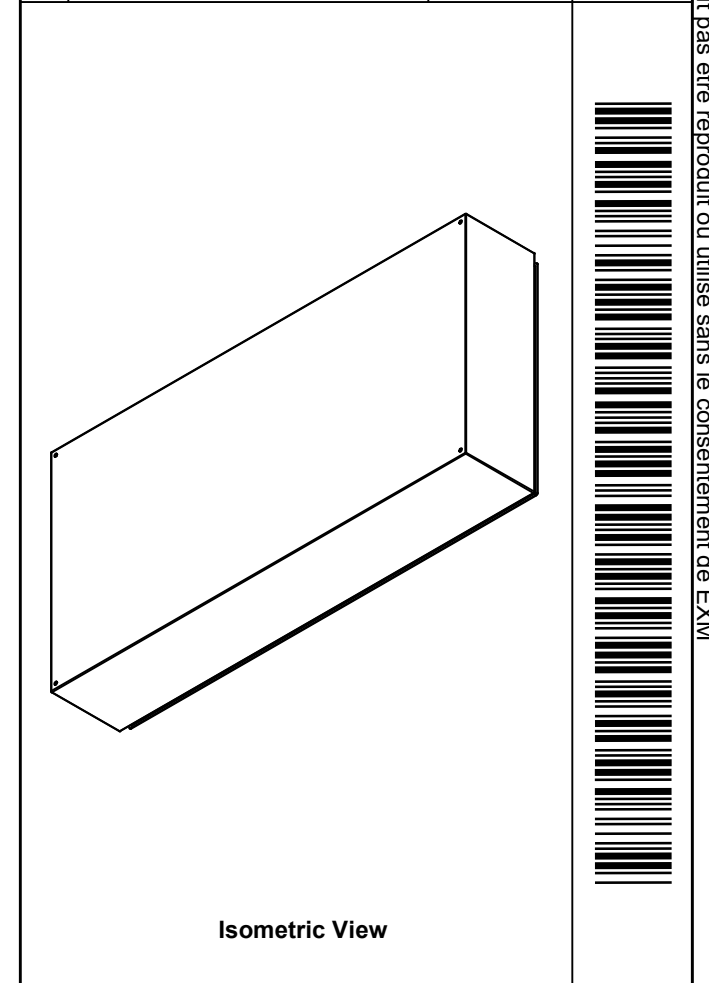



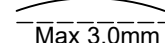
|  |                             |          |         |
|--|-----------------------------|----------|---------|
|  | Description                 | Status   |         |
|  | 1412BT 30" x 60" x 10" Body | (NULL)   |         |
|  | Part Number<br>Numéro Pièce | Rev.     |         |
|  | <b>1412BT05604B</b>         | <b>0</b> | 5<br>11 |

This drawing is confidential and must not be reproduced or used without the consent of EXM

Ce dessin est confidentiel et ne doit pas être reproduit ou utilisé sans le consentement de EXM

| No. | Revisions | Date | By/Par |
|-----|-----------|------|--------|
|     |           |      |        |
|     |           |      |        |
|     |           |      |        |
|     |           |      |        |
|     |           |      |        |

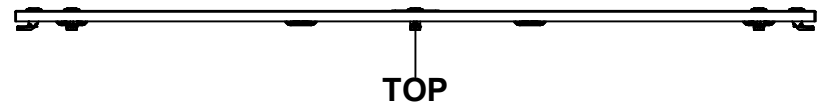


|  |                       |   |
|--|-----------------------|---|
|  Tél: (450) 979-4373<br>Fax: (450) 979-4626<br><a href="http://www.exmweb.com">www.exmweb.com</a> |                       | Flatness<br>Aplatissement<br><br>Max 3.0mm |
| Customer Client  |                       | Date  |
| Drawn By / Dessiné Par: BoxCad: BoxCad   |                       | Date: 07-Sep-22   |
| Material / Matière: 14 Ga Cold Rolled A1008 CS Type B (1.7mm)  |                       |   |
| Color / Couleur: Asa-61 Grey   | Finish / Fini: Smooth |   |
| Description: 1412BT 30" x 60" x 10" Body   |                       | Detail Rev.   |
| Part Number / Numéro Pièce: <b>1412BT05604B</b>  |                       | Rev. 0  |

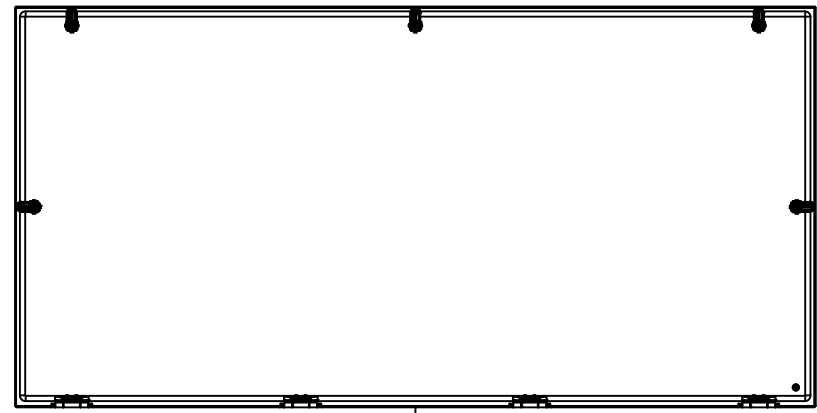
| Qty        | Part Number    | Rev | Description                            |
|------------|----------------|-----|--|
| 1          | STK-P-02400S   | 0   | Powder Paint (Asa-61 Grey / Smooth)    |
| 8          | STK-Q-16005    | 1   | Stud M8 x 35mm (No Paint Cap Required) |
| 1          | STK-Q-16080    | 0   | Ground Stud M6 x 16mm Steel            |
| 1          | STK-S-00100    | 0   | 3.5" x 2" Silver Milar Flexcon Sticker |
| 1          | 1412BT05604B-P | 0   | 1412BT 30" x 60" x 10" Body Part       |
| Parts List |                |     |  |

This drawing is confidential and must not be reproduced or used without the consent of EXM

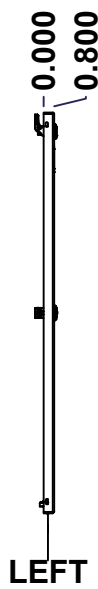
Ce dessin est confidentiel et ne doit pas être reproduit ou utilisé sans le consentement de EXM



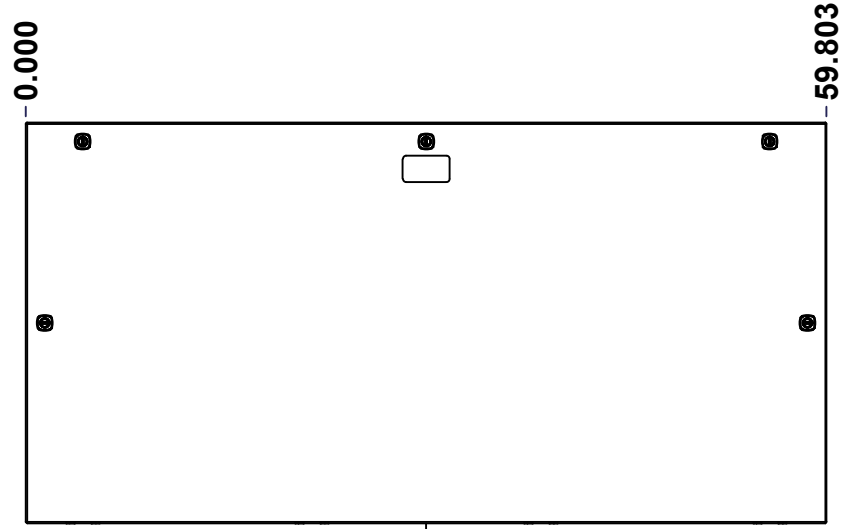
TOP



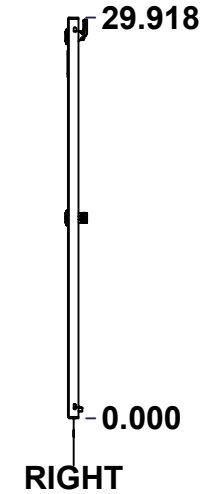
BACK



LEFT



FRONT

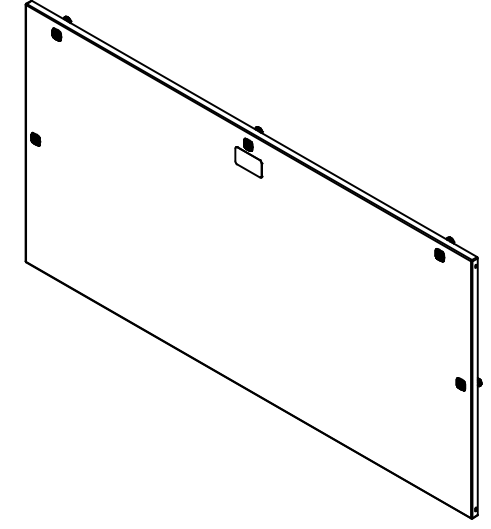


RIGHT



FRONT

| No. | Revisions | Date | By/Par |
|-----|-----------|------|--------|
|     |           |      |        |
|     |           |      |        |
|     |           |      |        |
|     |           |      |        |



Isometric View



Tél: (450) 979-4373  
 Fax: (450) 979-4626  
[www.exmweb.com](http://www.exmweb.com)

Flatness  
 Aplatissement  
 Max 3.0mm  
 Projection

|   |                       |
|---|-----------------------|
| Customer Client   | Date                  |
| Drawn By / Dessiné Par: BoxCad: BoxCad                        | Date: 07-Sep-22       |
| Material / Matière: 14 Ga Cold Rolled A1008 CS Type B (1.7mm) |                       |
| Color / Couleur: Asa-61 Grey                                  | Finish / Fini: Smooth |
| Description: 1412BT 30" x 60" Cover                           | Detail Rev.           |

|   |               |        |
|---|---------------|--------|
| Part Number / Numéro Pièce: <b>1412BT05604C</b> | Rev. <b>0</b> | 7 / 11 |
|---|---------------|--------|

SEE BILL OF MATERIAL ON LAST PAGE

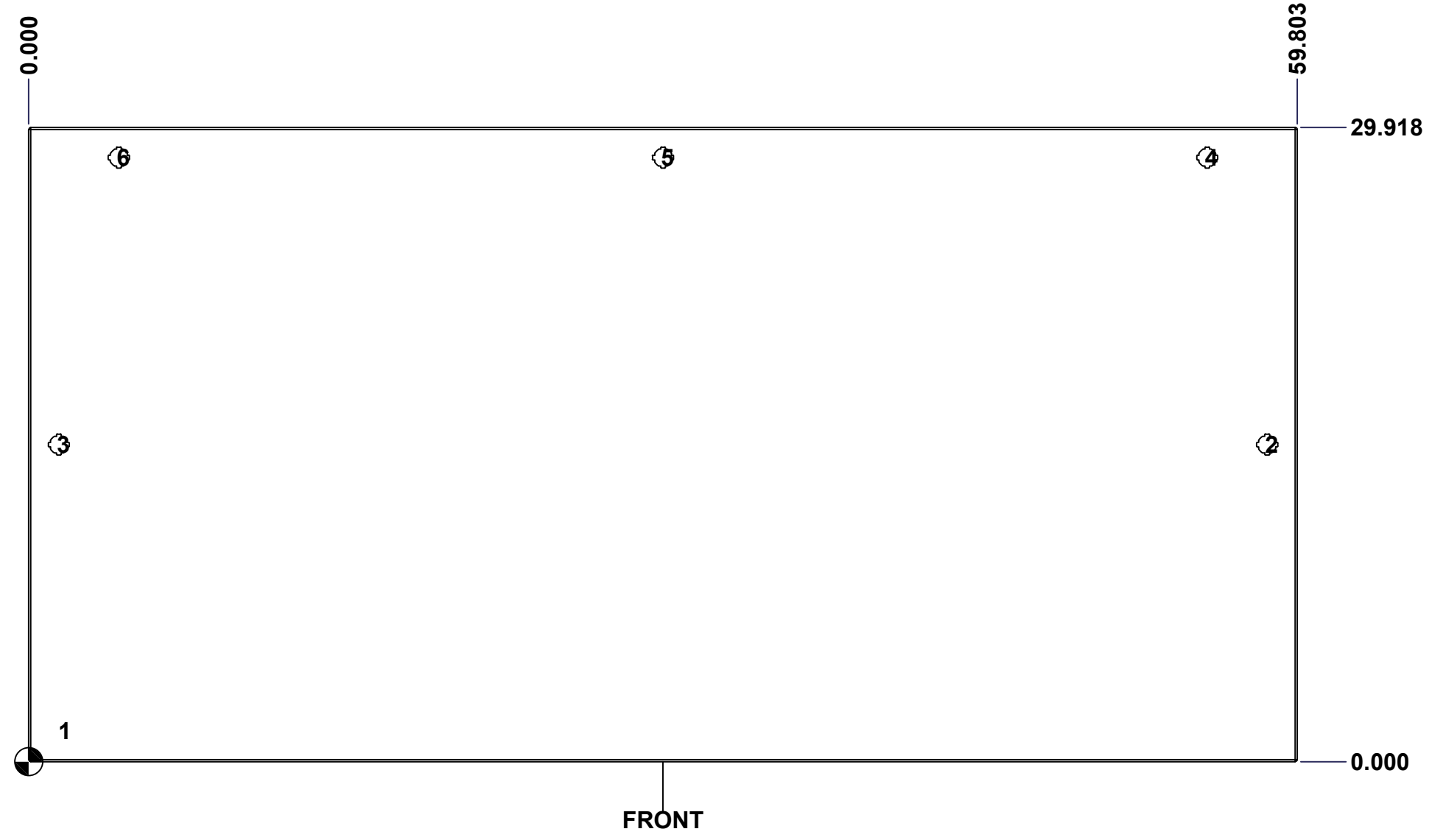
This drawing is confidential and must not be reproduced or used without the consent of Eurobox

Ce dessin est confidentiel et ne doit pas être reproduit ou utilisé sans le consentement de Eurobox

**STANDARD FEATURES ARE NOT LISTED IN THIS HOLE TABLE**

**HOLE TABLE - FRONT VIEW (CUSTOM FEATURE ONLY)**

| CUT-OUT | XDIM   | YDIM   | DESCRIPTION                 |
|---------|--------|--------|-----------------------------|
| 1       | 1.500  | 1.486  | GND STUD M6 x 16mm (Inside) |
| 2       | 58.379 | 14.959 | LOCK 880 SCQ4-SL @ 0.0°     |
| 3       | 1.424  | 14.959 | LOCK 880 SCQ4-SL @ 180.0°   |
| 4       | 55.553 | 28.494 | LOCK 880 SCQ4-SL @ 90.0°    |
| 5       | 29.902 | 28.494 | LOCK 880 SCQ4-SL @ 90.0°    |
| 6       | 4.250  | 28.494 | LOCK 880 SCQ4-SL @ 90.0°    |

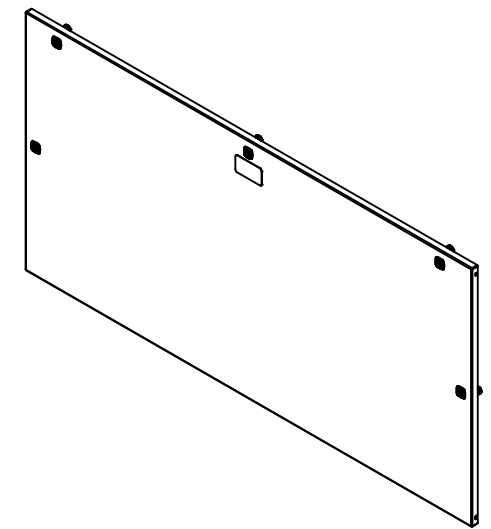


|  |                             |              |
|--|-----------------------------|--------------|
|  | Description                 | Status       |
|  | 1412BT 30" x 60" Cover      | (NULL)       |
|  | Part Number<br>Numéro Pièce | Rev.         |
|  | <b>1412BT05604C</b>         | <b>0</b> / 8 |
|  |                             | 11           |

This drawing is confidential and must not be reproduced or used without the consent of EXM

Ce dessin est confidentiel et ne doit pas être reproduit ou utilisé sans le consentement de EXM

| No. | Revisions | Date | By/Par |
|-----|-----------|------|--------|
|     |           |      |        |
|     |           |      |        |
|     |           |      |        |
|     |           |      |        |
|     |           |      |        |



Isometric View



Tél: (450) 979-4373  
 Fax: (450) 979-4626  
[www.exmweb.com](http://www.exmweb.com)

Flatness  
Aplatissement  
Max 3.0mm  
Projection

|   |                 |
|---|-----------------|
| Customer Client   | Date            |
| Drawn By / Dessiné Par: BoxCad: BoxCad                        | Date: 07-Sep-22 |
| Material / Matière: 14 Ga Cold Rolled A1008 CS Type B (1.7mm) |                 |

|                              |                       |
|------------------------------|-----------------------|
| Color / Couleur: Asa-61 Grey | Finish / Fini: Smooth |
|------------------------------|-----------------------|

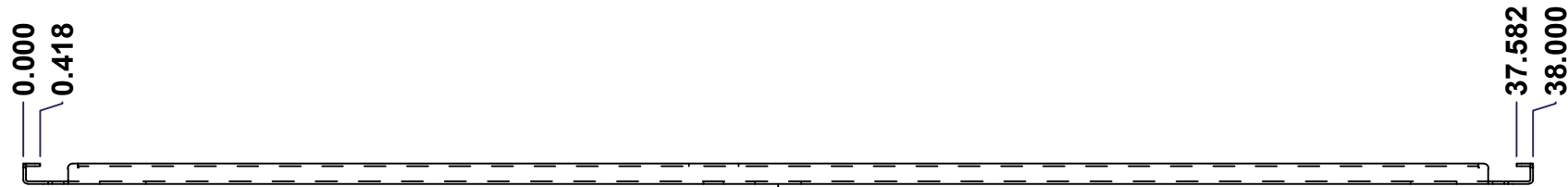
|                                     |             |
|-------------------------------------|-------------|
| Description: 1412BT 30" x 60" Cover | Detail Rev. |
|-------------------------------------|-------------|

|   |        |   |
|---|--------|---|
| Part Number / Numéro Pièce: <b>1412BT05604C</b> | Rev. 0 | 9 |
|---|--------|---|

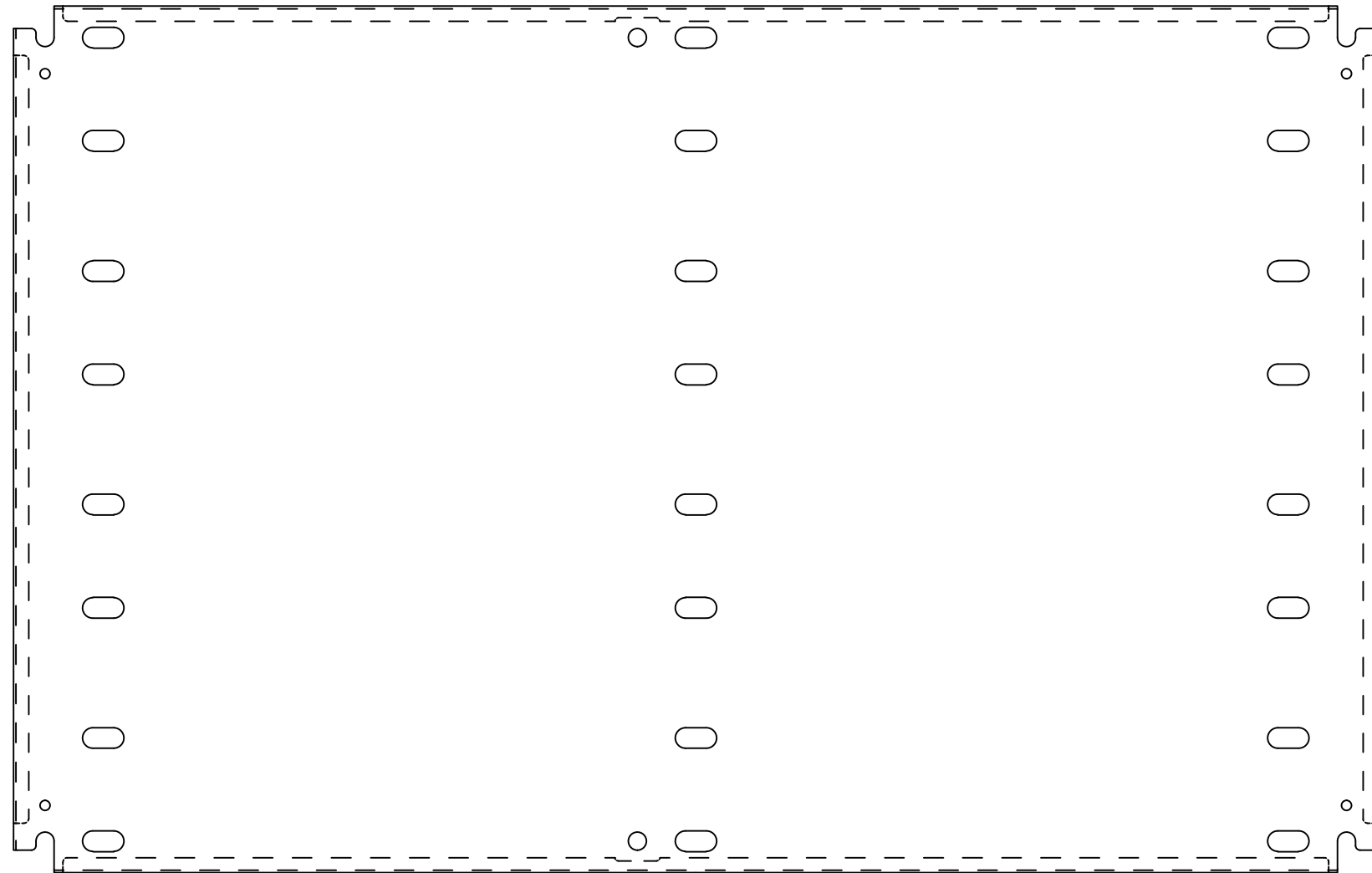
| Qty        | Part Name      | Rev | Description                             |
|------------|----------------|-----|---|
| 5          | STK-K-12500    | 19  | 5412 ES 1/4 Turn Lock                   |
| 1          | 1412BT05604G   | 0   | 1412BT 30" x 60" Cover Gasket           |
| 1          | STK-P-02400S   | 0   | Powder Paint (Asa-61 Grey / Smooth)     |
| 4          | STK-K-09800    | 10  | 5412 ES Hinge with 2 Captive Hinge Pins |
| 1          | STK-Q-16080    | 0   | Ground Stud M6 x 16mm Steel             |
| 1          | STK-S-00100    | 0   | 3.5" x 2" Silver Milar Flexcon Sticker  |
| 1          | 1412BT05604C-P | 0   | 1412BT 30" x 60" Cover Part             |
| Parts List |                |     |   |

This drawing is confidential and must not be reproduced or used without the consent of EXM

Ce dessin est confidentiel et ne doit pas être reproduit ou utilisé sans le consentement de EXM



TOP



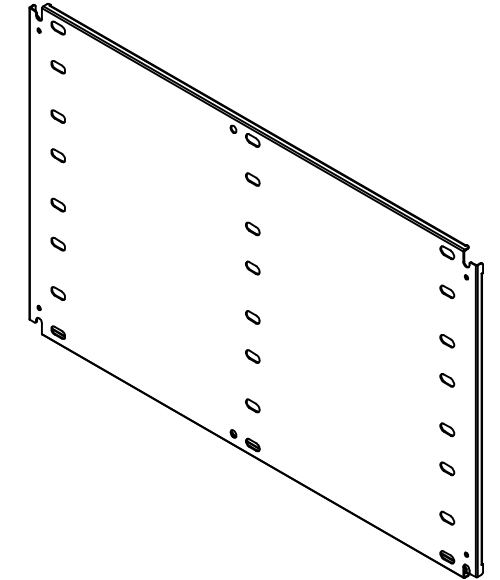
FRONT

24.125  
23.707

0.418  
0.000

RIGHT

| No. | Revisions | Date | By/Par |
|-----|-----------|------|--------|
|     |           |      |        |
|     |           |      |        |
|     |           |      |        |
|     |           |      |        |
|     |           |      |        |



Isometric View

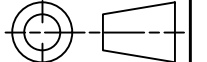


Tél: (450) 979-4373  
Fax: (450) 979-4626  
[www.exmweb.com](http://www.exmweb.com)

Flatness  
Aplatissement

Max 3.0mm

Projection



Customer Client \_\_\_\_\_ Date \_\_\_\_\_

Drawn By / Dessiné Par BoxCad: BoxCad Date 07-Sep-22

Material / Matière 14 Ga Cold Rolled A1008 CS Type B (1.7mm)

Color / Couleur White RAL9003 Finish / Fini Smooth

Description 1412BT 24.125" x 38" Inner Panel Detail Rev. \_\_\_\_\_

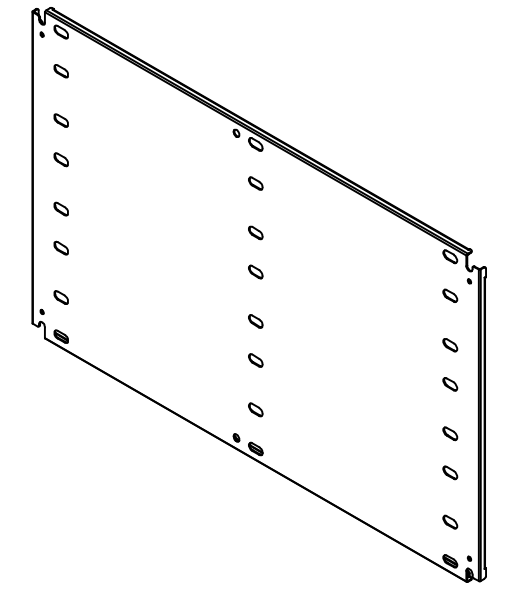
Part Number / Numéro Pièce **1412BT05604IP1** Rev. **0** 10 / 11

SEE BILL OF MATERIAL ON LAST PAGE

This drawing is confidential and must not be reproduced or used without the consent of EXM


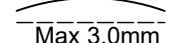
Ce dessin est confidentiel et ne doit pas être reproduit ou utilisé sans le consentement de EXM

| No. | Revisions | Date | By/Par |
|-----|-----------|------|--------|
|     |           |      |        |
|     |           |      |        |
|     |           |      |        |
|     |           |      |        |
|     |           |      |        |



Isometric View



|  |                       |   |
|--|-----------------------|---|
|  Tél: (450) 979-4373<br>Fax: (450) 979-4626<br><a href="http://www.exmweb.com">www.exmweb.com</a> |                       | Flatness<br>Aplatissement<br><br>Max 3.0mm |
| Customer Client  |                       | Date  |
| Drawn By / Dessiné Par: BoxCad: BoxCad   |                       | Date: 07-Sep-22   |
| Material / Matière: 14 Ga Cold Rolled A1008 CS Type B (1.7mm)  |                       |   |
| Color / Couleur: White RAL9003   | Finish / Fini: Smooth |   |
| Description: 1412BT 24.125" x 38" Inner Panel  |                       | Detail Rev.   |
| Part Number / Numéro Pièce: <b>1412BT05604IP1</b>  |                       | Rev. 0 / 11   |

| Qty        | Part Number      | Rev | Description                           |
|------------|------------------|-----|---------------------------------------|
| 1          | STK-P-02401S     | 0   | Powder Paint (White / Smooth)         |
| 1          | 1412BT05604IP1-P | 0   | 1412BT 24.125" x 60" Inner Panel Part |
| Parts List |                  |     |                                       |