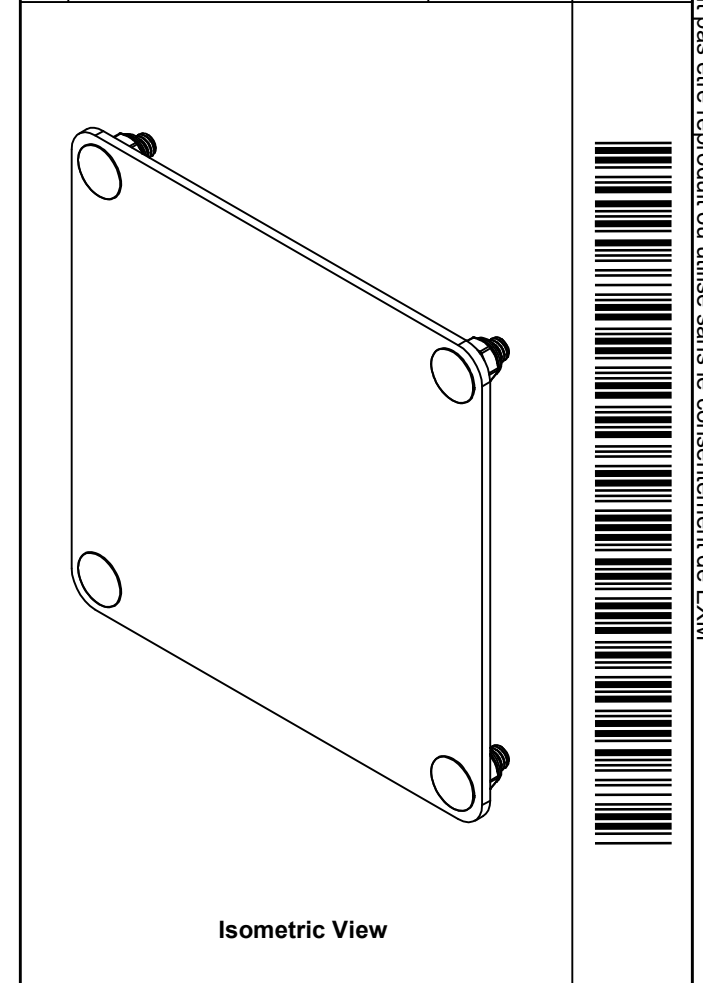
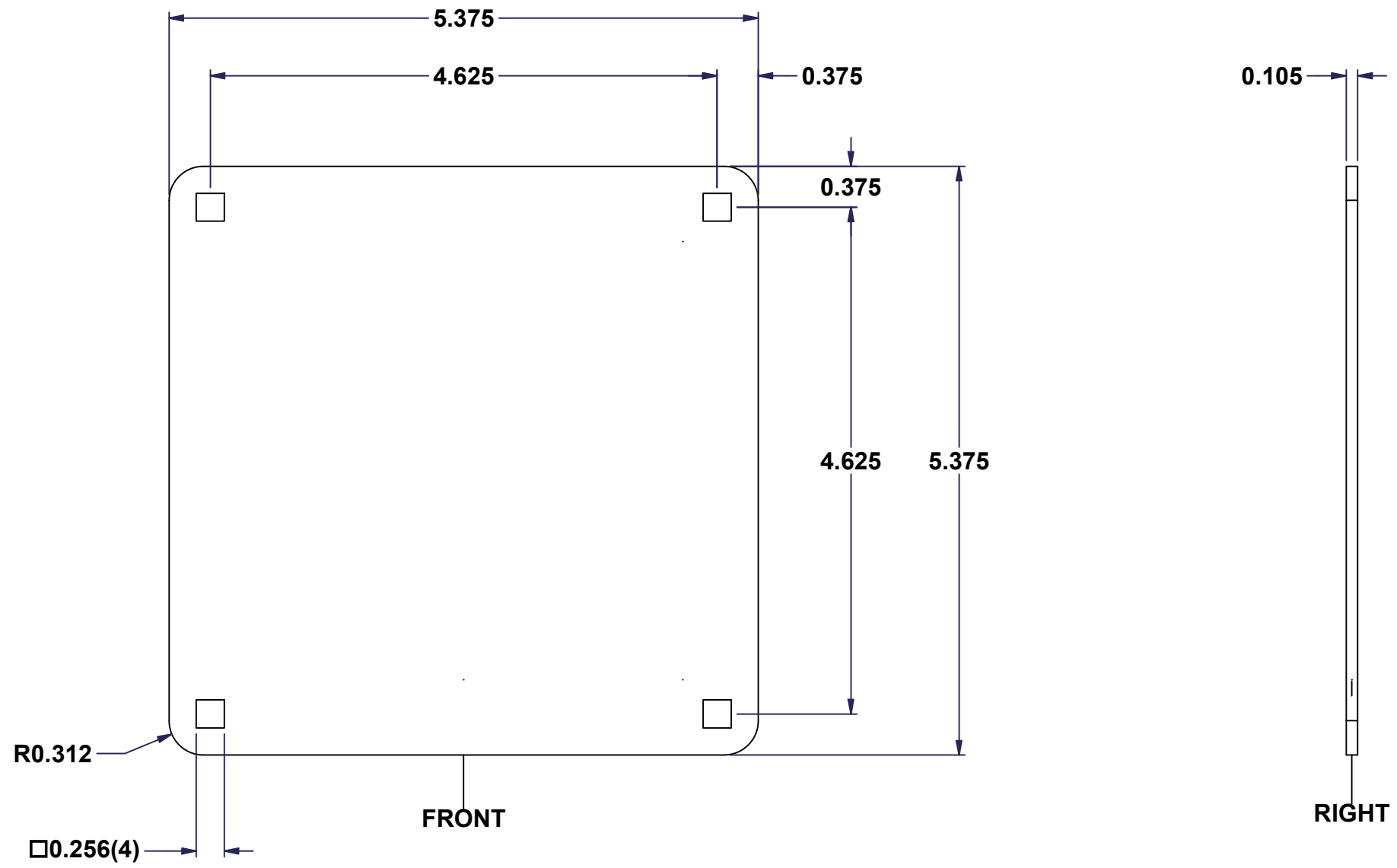


This drawing is confidential and must not be reproduced or used without the consent of EXM

Ce dessin est confidentiel et ne doit pas être reproduit ou utilisé sans le consentement de EXM

| NOTE | |
|------|-----------------------------|
| ITEM | DESCRIPTION |
| 1 | NEMA 4, 12 Enclosure (IP66) |

| No. | Revisions | Date | By/Par |
|-----|-----------|------|--------|
| | | | |
| | | | |
| | | | |
| | | | |
| | | | |


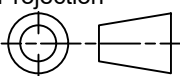


Note:
- Remove all sharp corners and deburr edges

| PACKING | | |
|-----------------------|-----|--|
| ITEM | QTY | DESCRIPTION |
| Cardboard sleeve | 2 | Top and Bottom |
| Plastic strap - Black | 2 | To Squeeze 2 cardboard sleeve together |
| Packaging label | 3 | White label with PN |

| Qty | Part Number | Rev | Description |
|-----|--------------|-----|---|
| 1 | STK-P-02400S | 0 | Powder Paint (Asa-61 Grey / Smooth) |
| 4 | STK-Q-00266 | 0 | M6 x 16mm Stainless Steel 316 Carriage Bolt |
| 1 | 1412CP4070-P | 0 | 1412CP4" x 4" Closing Plate Part |
| 4 | STK-Q-07225 | 0 | M6 Stainless Steel Nylon Insert Lock Nut |

Parts List

| | | |
|--|---|---|
|  Tél: (450) 979-4373 Fax: (450) 979-4626 www.exmweb.com | | Flatness Aplatissement Max 3.0mm Projection  |
| Customer Client | Date | |
| Drawn By Dessiné Par | BoxCad: BoxCad | Date 05-Feb-24 |
| Material Matière | 12 Ga Cold Rolled A1008 CS Type B (2.5mm) | |
| Color Couleur | Asa-61 Grey | Finish Fini Smooth |
| Description | | Detail Rev. |
| 1412CP 4" x 4" x 0.105" Assembly | | |
| Part Number Numéro Pièce | | Rev. 1 |
| 1412CP4070 | | 0 |