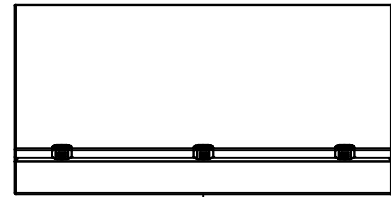
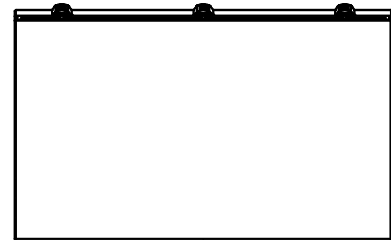


This drawing is confidential and must not be reproduced or used without the consent of EXM

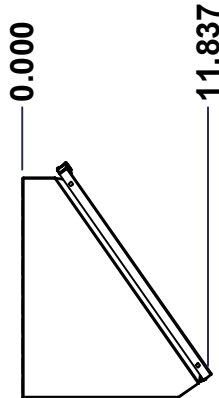
Ce dessin est confidentiel et ne doit pas être reproduit ou utilisé sans le consentement de EXM



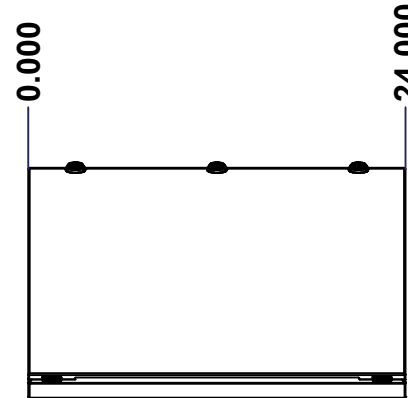
TOP



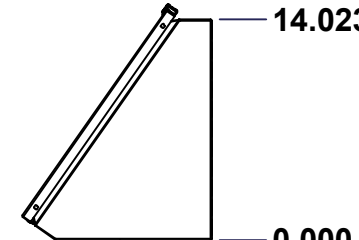
BACK



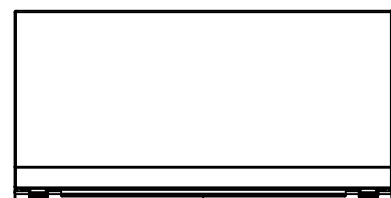
LEFT



FRONT

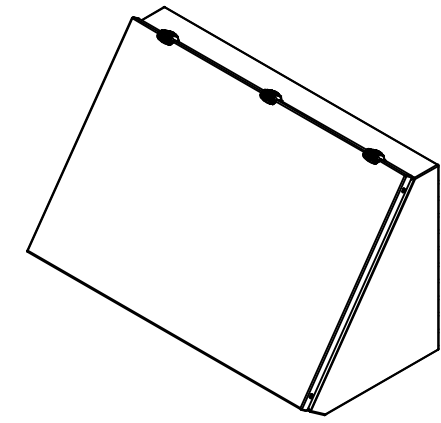


RIGHT



BOTTOM

| No. | Revisions | Date | By/Par |
|-----|-----------|------|--------|
| | | | |
| | | | |
| | | | |
| | | | |



Isometric View



Tél: (450) 979-4373
 Fax: (450) 979-4626
www.exmweb.com

Flatness
Aplatissement
Max 3.0mm
Projection

| | |
|---|-----------------------|
| Customer Client | Date |
| Drawn By / Dessiné Par: BoxCad: BoxCad | Date: 08-Sep-25 |
| Material / Matière: 16 Ga Stainless Steel 304 (1.4mm) | |
| Color / Couleur: Asa-61 Grey | Finish / Fini: Smooth |
| Description: 1412CSSP 16" x 24" x 11.725" Assembly | Detail Rev. |
| Part Number / Numéro Pièce: 1412CSS162411P | Rev. 0 |

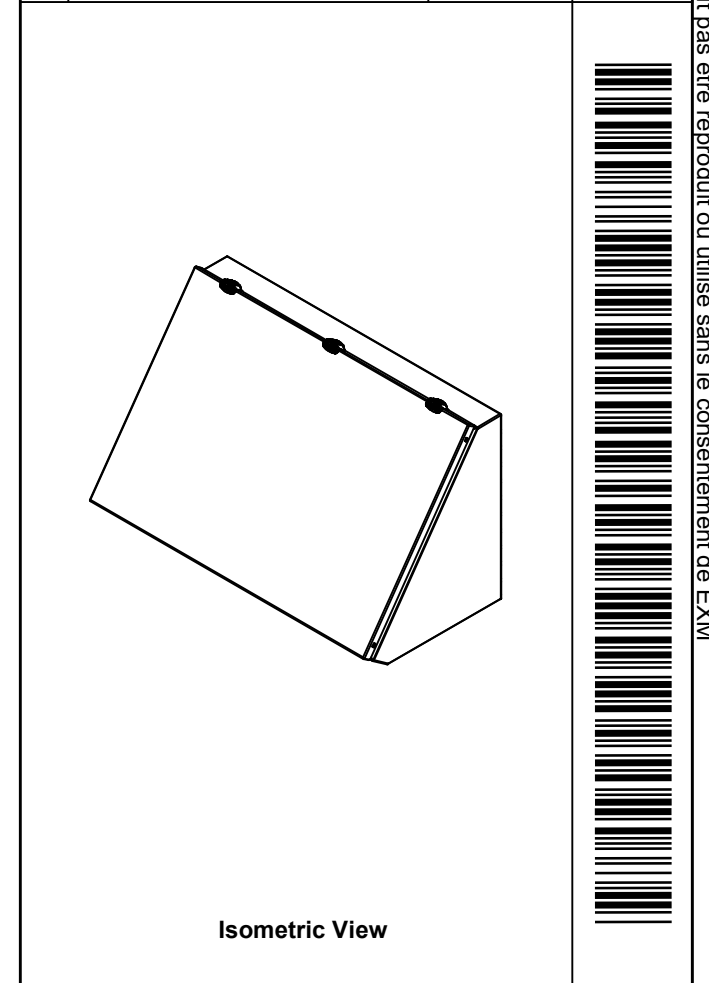
SEE BILL OF MATERIAL ON LAST PAGE

This drawing is confidential and must not be reproduced or used without the consent of EXM

Ce dessin est confidentiel et ne doit pas être reproduit ou utilisé sans le consentement de EXM

| NOTE | |
|------|---|
| ITEM | DESCRIPTION |
| 1 | NEMA 4X Enclosure (IP66) |
| 2 | C/W Standard ground standoffs on box only |
| 3 | W/O Inner panel |
| 4 | W/O Inner panel mounting standoffs |

| No. | Revisions | Date | By/Par |
|-----|-----------|------|--------|
| | | | |
| | | | |
| | | | |
| | | | |
| | | | |
| | | | |




 Tél: (450) 979-4373
 Fax: (450) 979-4626
www.exmweb.com

Flatness
 Aplatissement
 Max 3.0mm
 Projection


| | |
|-------------------------|-----------------------------------|
| Customer Client | Date |
| Drawn By Dessiné Par | Date 08-Sep-25 |
| Material Matière | 16 Ga Stainless Steel 304 (1.4mm) |
| Color Couleur | Asa-61 Grey |
| Finish Fini | Smooth |

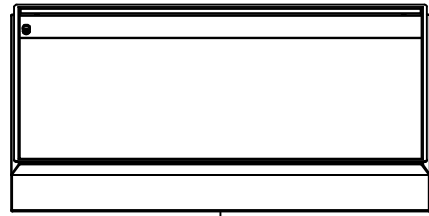
| PACKING | | |
|-----------------------|-----|--|
| ITEM | QTY | DESCRIPTION |
| Cardboard sleeve | 2 | Top and Bottom |
| Cardboard strip | 2 | Between back of enclosure and inner panel |
| Plastic bag | 1 | To protect cover surface and inside gasket |
| Plastic strap - Black | 2 | To Squeeze the 2 cardboard sleeve together |
| Packaging label | 1 | White label with product number |

| | | | |
|------------|-----------------|-----|---|
| 1 | 1412CSS162411PC | 0 | 1412CSSP 16" x 24" Cover |
| 1 | 1412CSS162411PB | 0 | 1412CSSP 16" x 24" x 11.725" Body |
| 2 | 880 GS115 | 1 | Gas Spring 115N/12Kg/26Lbs |
| 2 | STK-A-08126 | 0 | M5 Stainless Steel 316 Nylon Insert Lock Nut with Incorporated Sealing Washer |
| Qty | Part Number | Rev | Description |
| Parts List | | | |

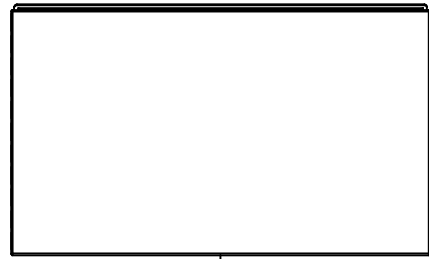
| | |
|---------------------------------------|-------------|
| Description | Detail Rev. |
| 1412CSSP 16" x 24" x 11.725" Assembly | |
| Part Number Numéro Pièce | Rev. |
| 1412CSS162411P | 0 |
| | 2 |
| | 11 |

This drawing is confidential and must not be reproduced or used without the consent of EXM

Ce dessin est confidentiel et ne doit pas être reproduit ou utilisé sans le consentement de EXM



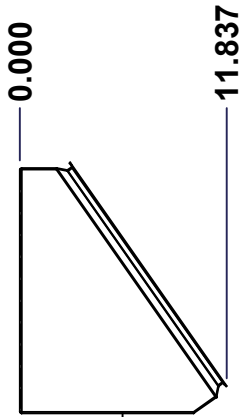
TOP



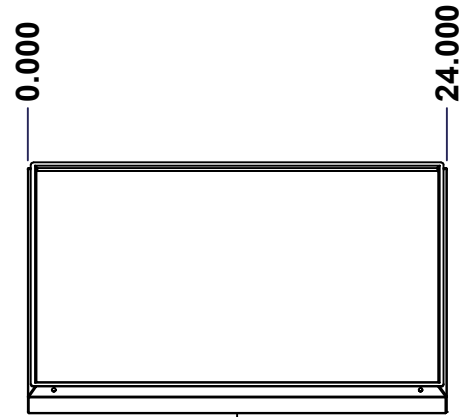
BACK



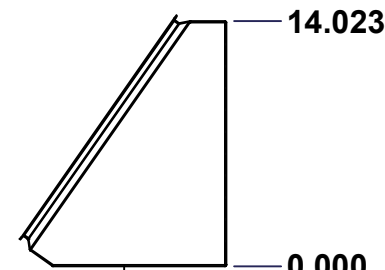
BOTTOM



LEFT

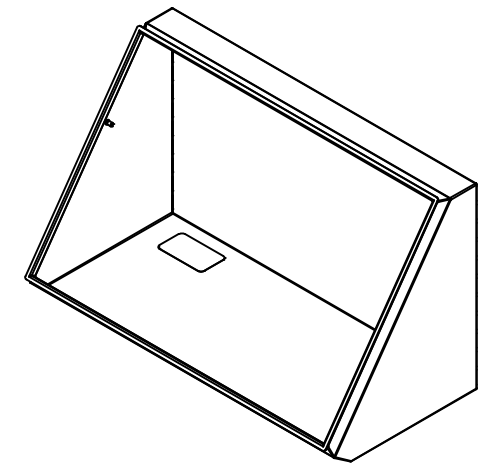


FRONT



RIGHT

| No. | Revisions | Date | By/Par |
|-----|-----------|------|--------|
| | | | |
| | | | |
| | | | |
| | | | |



Isometric View

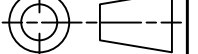


Tél: (450) 979-4373
 Fax: (450) 979-4626
www.exmweb.com

Flatness
Aplatissement

Max 3.0mm

Projection



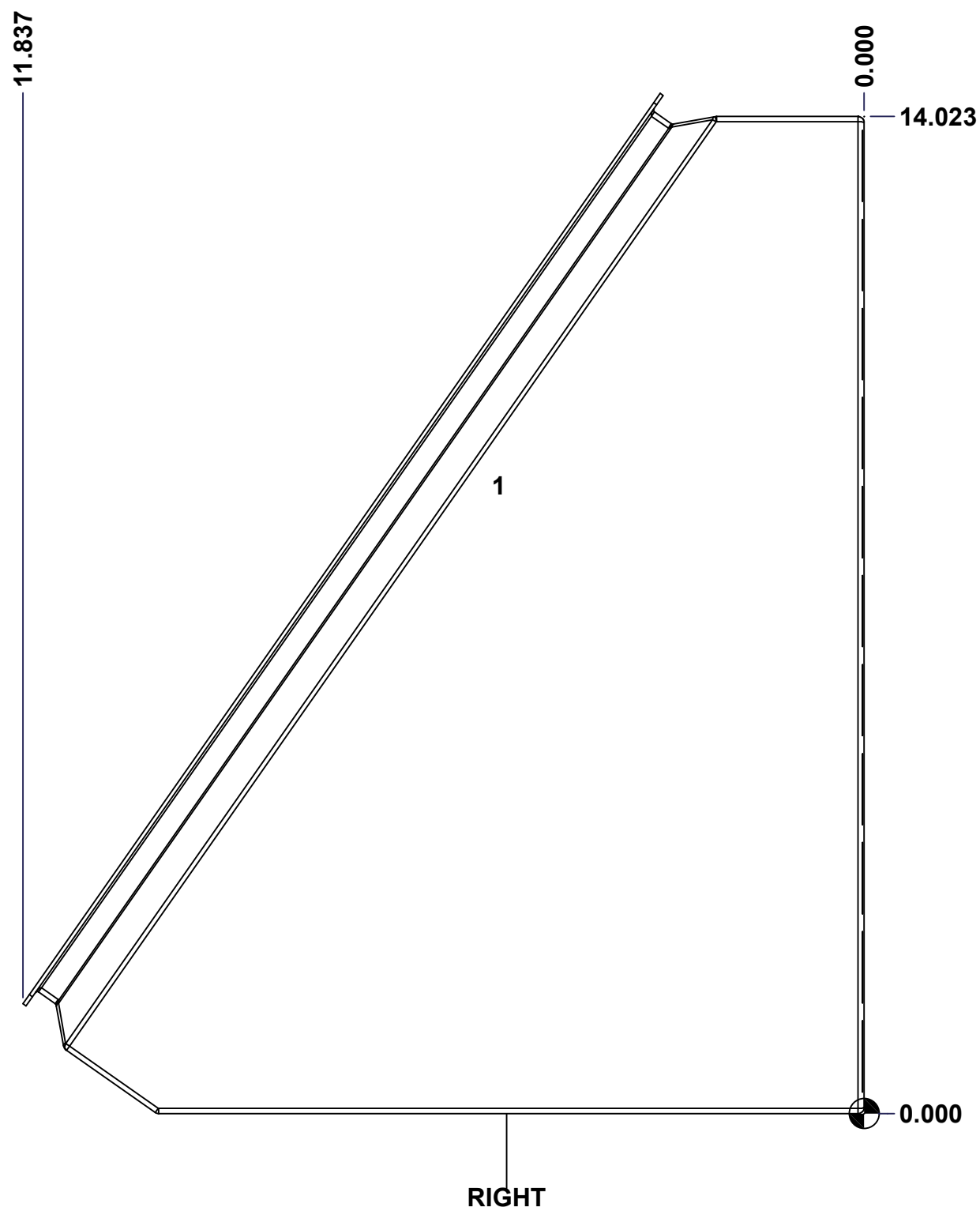
| | |
|---|-----------------------|
| Customer Client | Date |
| Drawn By / Dessiné Par: BoxCad: BoxCad | Date: 08-Sep-25 |
| Material / Matière: 16 Ga Stainless Steel 304 (1.4mm) | |
| Color / Couleur: Asa-61 Grey | Finish / Fini: Smooth |
| Description: 1412CSSP 16" x 24" x 11.725" Body | Detail Rev. |
| Part Number / Numéro Pièce: 1412CSS162411PB | Rev. 0 |

SEE BILL OF MATERIAL ON LAST PAGE

This drawing is confidential and must not be reproduced or used without the consent of EXM

Ce dessin est confidentiel et ne doit pas être reproduit ou utilisé sans le consentement de EXM

| STANDARD FEATURES ARE NOT LISTED IN THIS HOLE TABLE | | | |
|--|-------|-------|--------------------------|
| HOLE TABLE - RIGHT VIEW (CUSTOM FEATURE ONLY) | | | |
| CUT-OUT | XDIM | YDIM | DESCRIPTION |
| 1 | 5.205 | 8.839 | STUDS M6 x 10mm (Inside) |

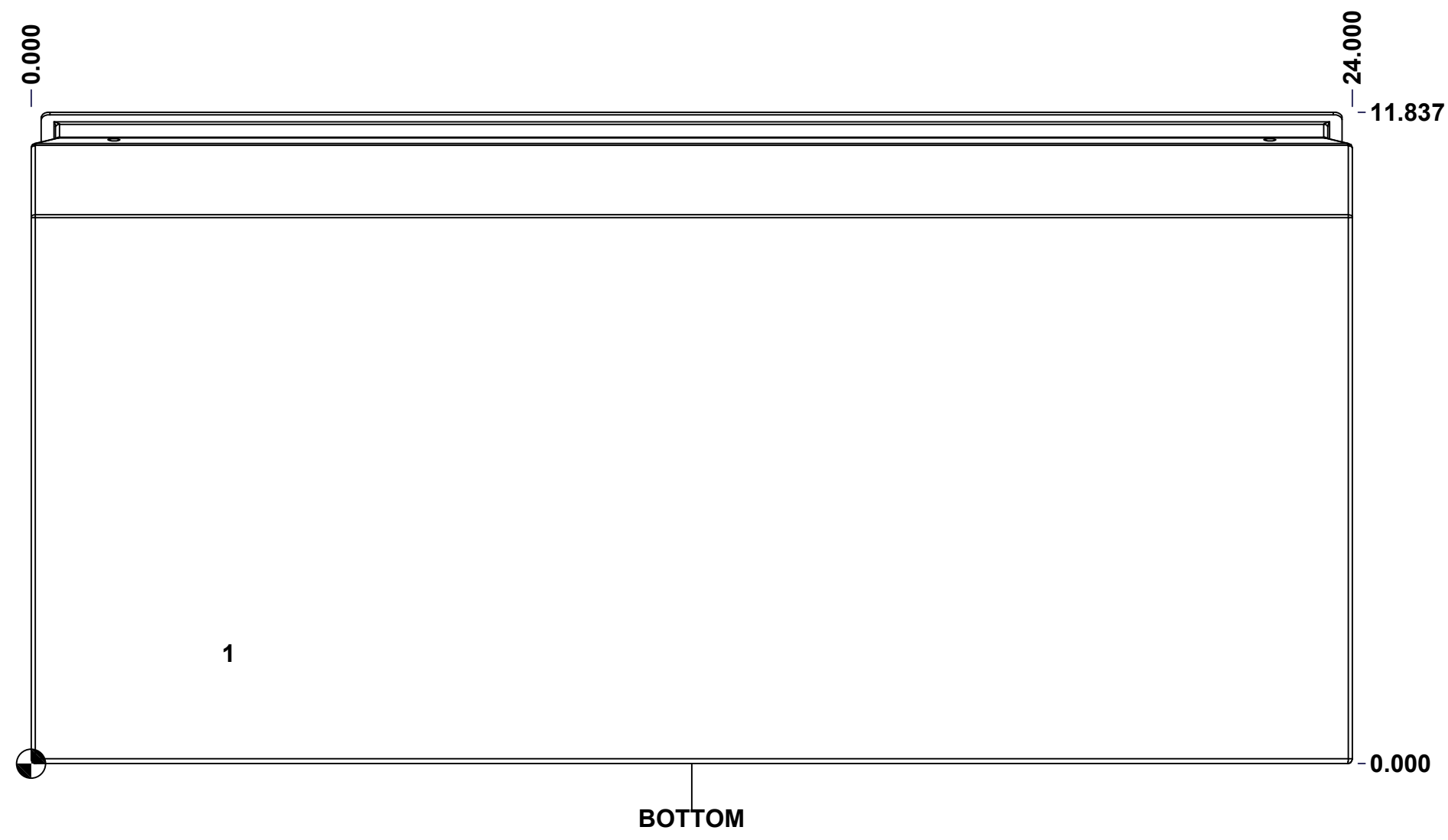


| | | | |
|--|-----------------------------------|----------|---------|
| | Description | Status | |
| | 1412CSSP 16" x 24" x 11.725" Body | (NULL) | |
| | Part Number Numéro Pièce | Rev. | |
| | 1412CSS162411PB | 0 | 4 11 |

This drawing is confidential and must not be reproduced or used without the consent of EXM

Ce dessin est confidentiel et ne doit pas être reproduit ou utilisé sans le consentement de EXM

| STANDARD FEATURES ARE NOT LISTED IN THIS HOLE TABLE | | | |
|--|-------|-------|--------------------|
| HOLE TABLE - BOTTOM VIEW (CUSTOM FEATURE ONLY) | | | |
| CUT-OUT | XDIM | YDIM | DESCRIPTION |
| 1 | 3.500 | 2.000 | LABEL_EXM (Inside) |

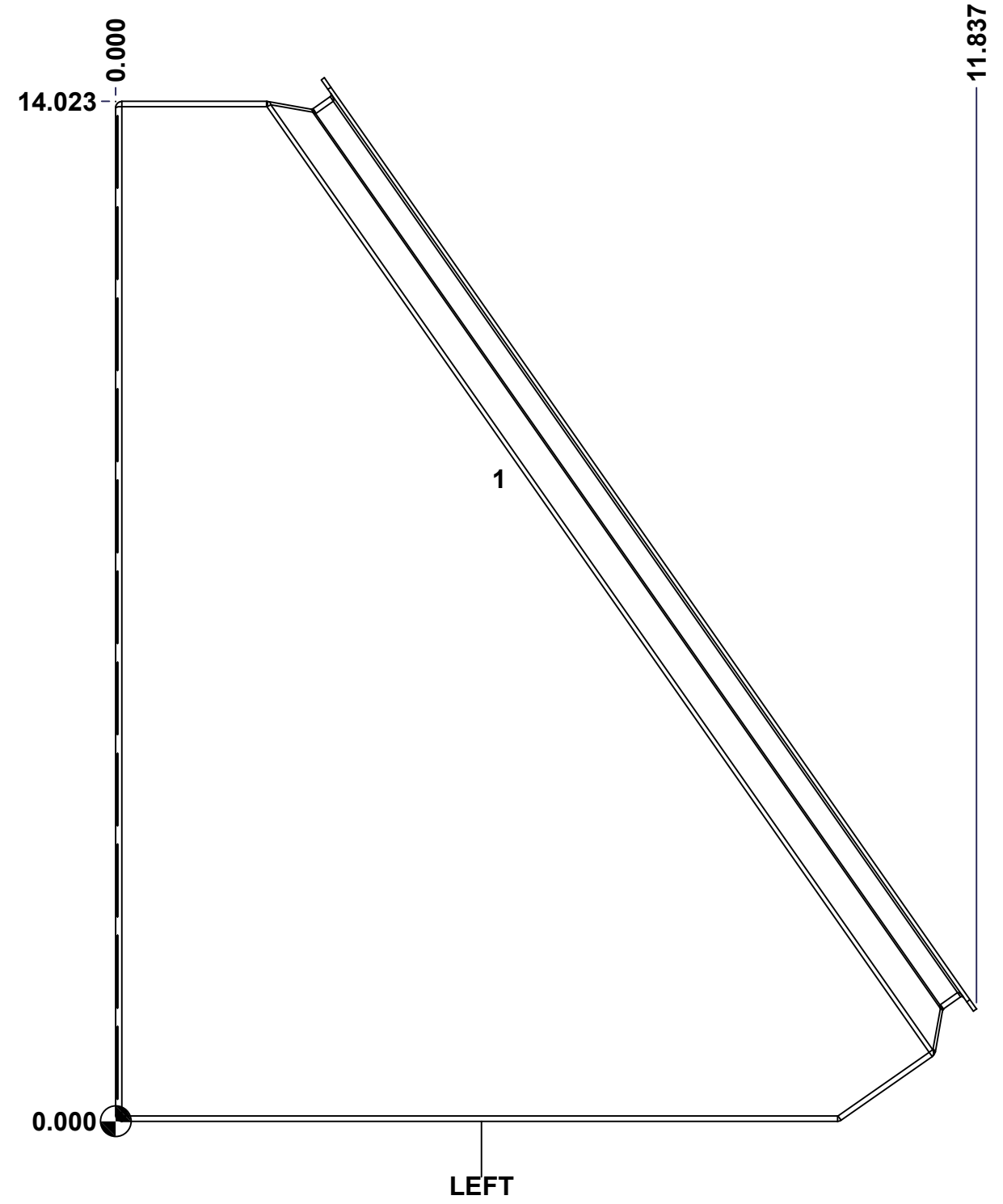


| | | | |
|--|-----------------------------------|----------|----|
| | Description | Status | |
| | 1412CSSP 16" x 24" x 11.725" Body | (NULL) | |
| | Part Number Numéro Pièce | Rev. | 5 |
| | 1412CSS162411PB | 0 | 11 |

This drawing is confidential and must not be reproduced or used without the consent of EXM

Ce dessin est confidentiel et ne doit pas être reproduit ou utilisé sans le consentement de EXM

| STANDARD FEATURES ARE NOT LISTED IN THIS HOLE TABLE | | | |
|--|-------|-------|--------------------------|
| HOLE TABLE - LEFT VIEW (CUSTOM FEATURE ONLY) | | | |
| CUT-OUT | XDIM | YDIM | DESCRIPTION |
| 1 | 5.205 | 8.839 | STUDS M6 x 10mm (Inside) |

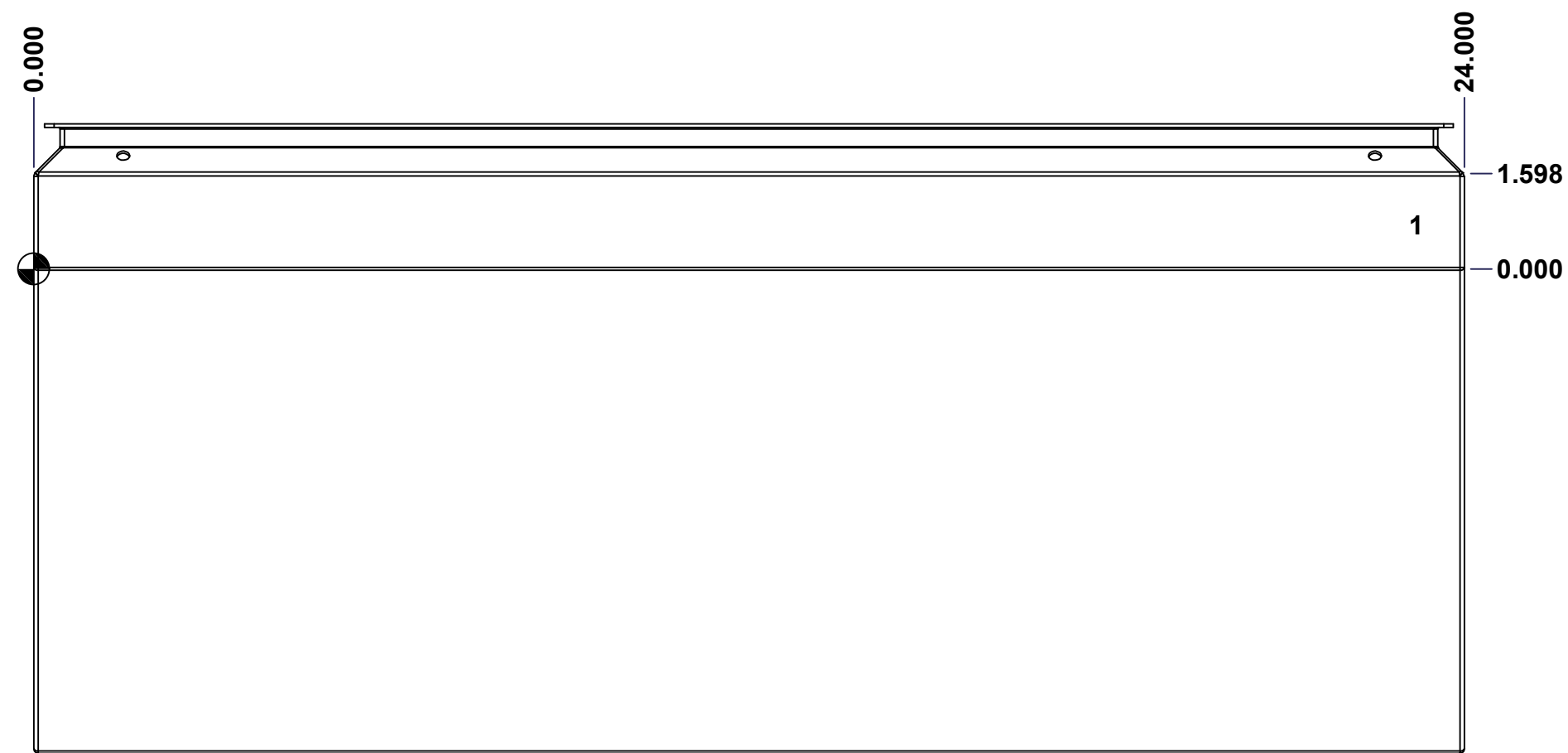


| | | |
|-----------------------------|-----------------------------------|---------------|
| | Description | Status |
| | 1412CSSP 16" x 24" x 11.725" Body | (NULL) |
| Part Number Numéro Pièce | 1412CSS162411PB | Rev. 6 |
| | | 0 / 11 |

This drawing is confidential and must not be reproduced or used without the consent of EXM

Ce dessin est confidentiel et ne doit pas être reproduit ou utilisé sans le consentement de EXM

| STANDARD FEATURES ARE NOT LISTED IN THIS HOLE TABLE | | | |
|--|--------|-------|-----------------------------|
| HOLE TABLE - ANGLE VIEW (CUSTOM FEATURE ONLY) | | | |
| CUT-OUT | XDIM | YDIM | DESCRIPTION |
| 1 | 23.125 | 0.742 | STANDOFF M6 x 10mm (Inside) |



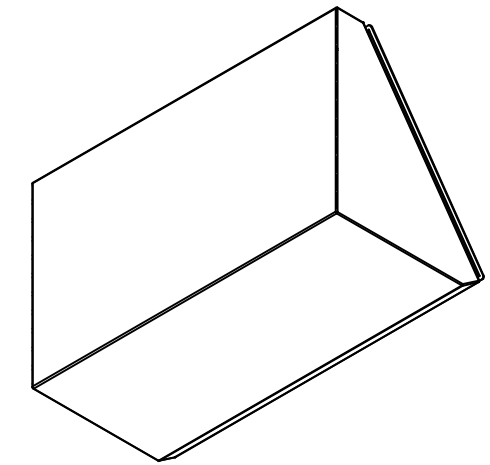
ANGLE

| | | | |
|--|-----------------------------------|----------|----|
| | Description | Status | |
| | 1412CSSP 16" x 24" x 11.725" Body | (NULL) | |
| | Part Number Numéro Pièce | Rev. | 7 |
| | 1412CSS162411PB | 0 | 11 |

This drawing is confidential and must not be reproduced or used without the consent of EXM

Ce dessin est confidentiel et ne doit pas être reproduit ou utilisé sans le consentement de EXM

| No. | Revisions | Date | By/Par |
|-----|-----------|------|--------|
| | | | |
| | | | |
| | | | |
| | | | |
| | | | |



Isometric View

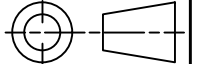


Tél: (450) 979-4373
 Fax: (450) 979-4626
www.exmweb.com

Flatness
Aplatissement

Max 3.0mm

Projection



| | |
|---|-----------------|
| Customer Client | Date |
| Drawn By / Dessiné Par: BoxCad: BoxCad | Date: 08-Sep-25 |
| Material / Matière: 16 Ga Stainless Steel 304 (1.4mm) | |

| | |
|------------------------------|-----------------------|
| Color / Couleur: Asa-61 Grey | Finish / Fini: Smooth |
|------------------------------|-----------------------|

| | |
|--|-------------|
| Description: 1412CSSP 16" x 24" x 11.725" Body | Detail Rev. |
|--|-------------|

| | | |
|--|------------------------|---|
| Part Number / Numéro Pièce: 1412CSS162411PB | Rev. / Révis: 0 | 8 |
|--|------------------------|---|

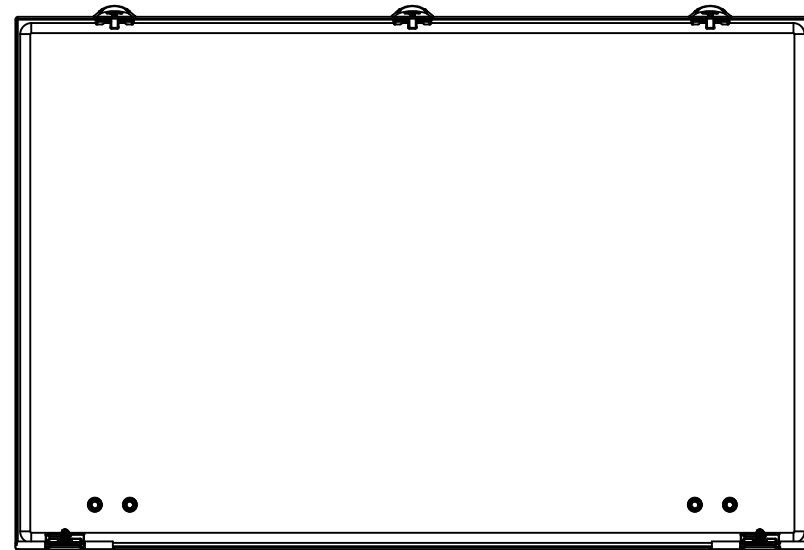
| Qty | Part Number | Rev | Description |
|------------|-------------------|-----|--|
| 2 | STK-Q-16040 | 0 | Stud M6 x 10mm Stainless Steel |
| 1 | STK-Q-08500 | 4 | Stainless Steel Standoff M6 x 10mm |
| 1 | STK-S-00100 | 0 | 3.5" x 2" Silver Milar Flexcon Sticker |
| 1 | STK-P-02400S | 0 | Powder Paint (Asa-61 Grey / Smooth) |
| 1 | 1412CSS162411PB-P | 0 | 1412CSSP 16" x 24" x 11.725" Body Part |
| Parts List | | | |

This drawing is confidential and must not be reproduced or used without the consent of EXM

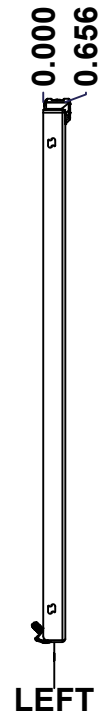
Ce dessin est confidentiel et ne doit pas être reproduit ou utilisé sans le consentement de EXM



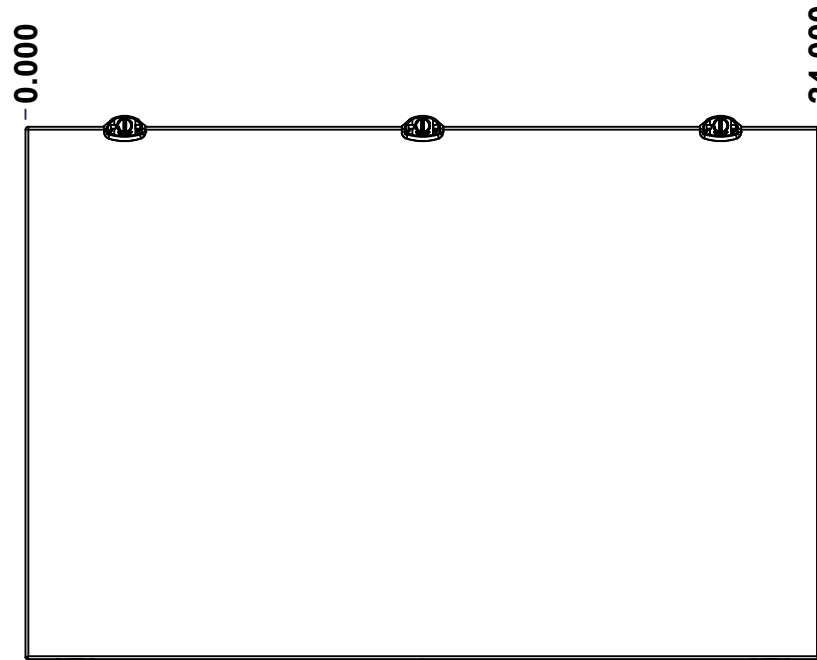
TOP



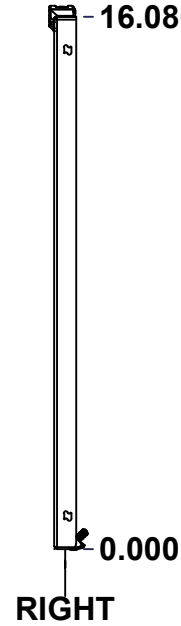
BACK



LEFT



FRONT

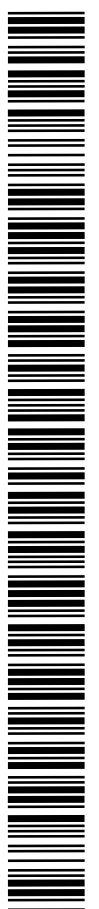
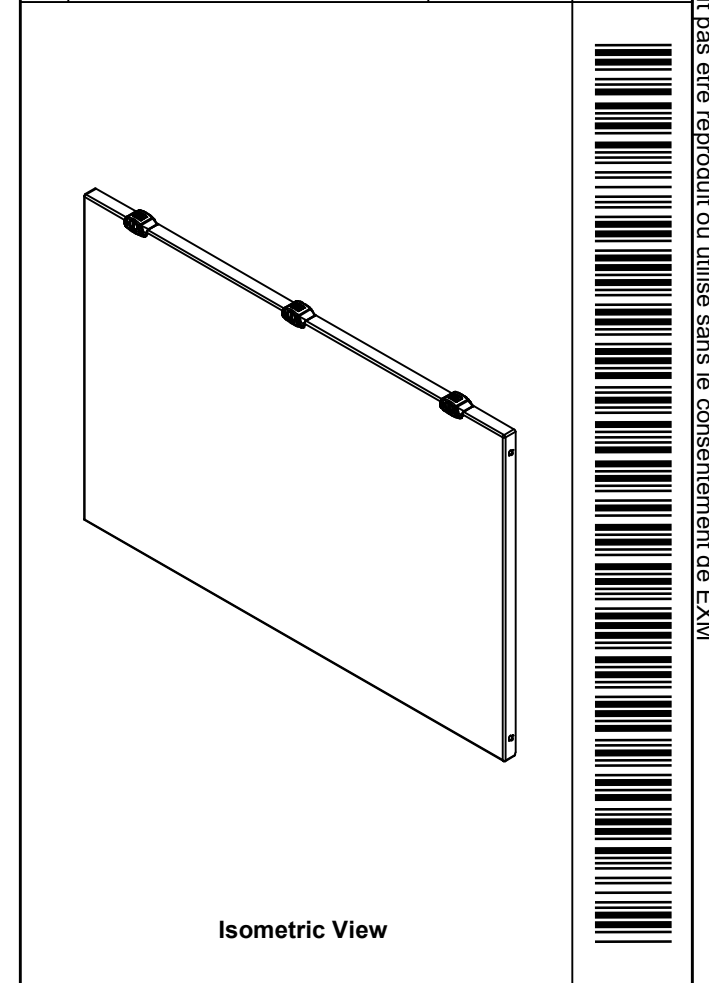



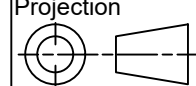
RIGHT



BOTTOM

| No. | Revisions | Date | By/Par |
|-----|-----------|------|--------|
| | | | |
| | | | |
| | | | |
| | | | |



| | | |
|--|--|---|
|  Tél: (450) 979-4373 Fax: (450) 979-4626 www.exmweb.com | | Flatness Aplatissement |
| | | Max 3.0mm |
| Customer Client Drawn By / Dessiné Par: BoxCad: BoxCad Material / Matière: 16 Ga Stainless Steel 304 (1.4mm) | | Projection  |
| Date Date: 08-Sep-25 | | Color / Couleur: Asa-61 Grey Finish / Fini: Smooth |
| Description: 1412CSSP 16" x 24" Cover | | Detail Rev. |
| Part Number / Numéro Pièce: 1412CSS162411PC | | Rev. 9 0 |

SEE BILL OF MATERIAL ON LAST PAGE

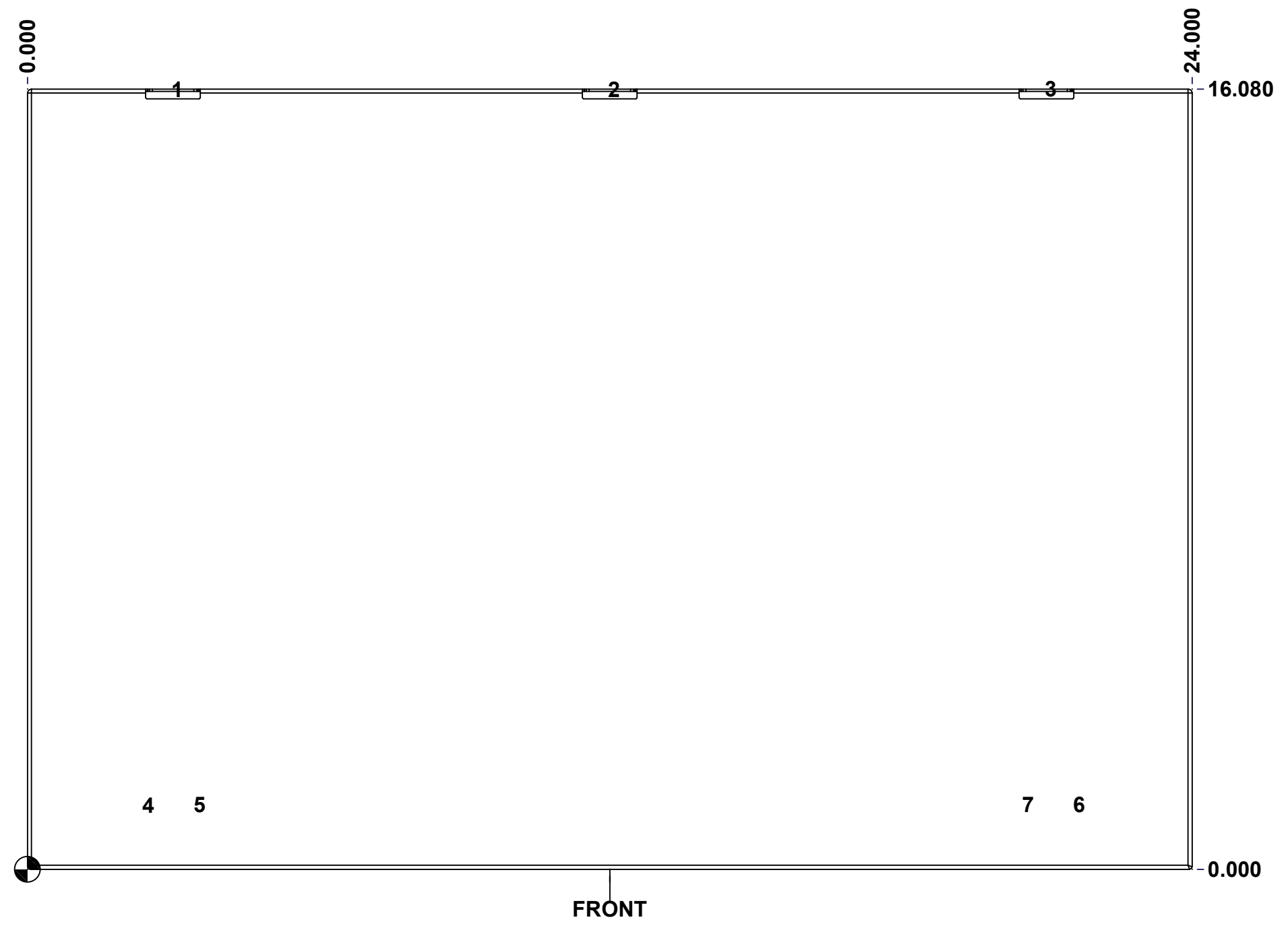
This drawing is confidential and must not be reproduced or used without the consent of EXM

Ce dessin est confidentiel et ne doit pas être reproduit ou utilisé sans le consentement de EXM

STANDARD FEATURES ARE NOT LISTED IN THIS HOLE TABLE

HOLE TABLE - FRONT VIEW (CUSTOM FEATURE ONLY)

| CUT-OUT | XDIM | YDIM | DESCRIPTION |
|---------|--------|--------|-----------------------------|
| 1 | 3.000 | 16.080 | LOCK 880 SCQ3MS @ 90.0° |
| 2 | 12.000 | 16.080 | LOCK 880 SCQ3MS @ 90.0° |
| 3 | 21.000 | 16.080 | LOCK 880 SCQ3MS @ 90.0° |
| 4 | 2.408 | 1.334 | STANDOFF M6 x 10mm (Inside) |
| 5 | 3.463 | 1.334 | STANDOFF M6 x 10mm (Inside) |
| 6 | 21.592 | 1.334 | STANDOFF M6 x 10mm (Inside) |
| 7 | 20.537 | 1.334 | STANDOFF M6 x 10mm (Inside) |

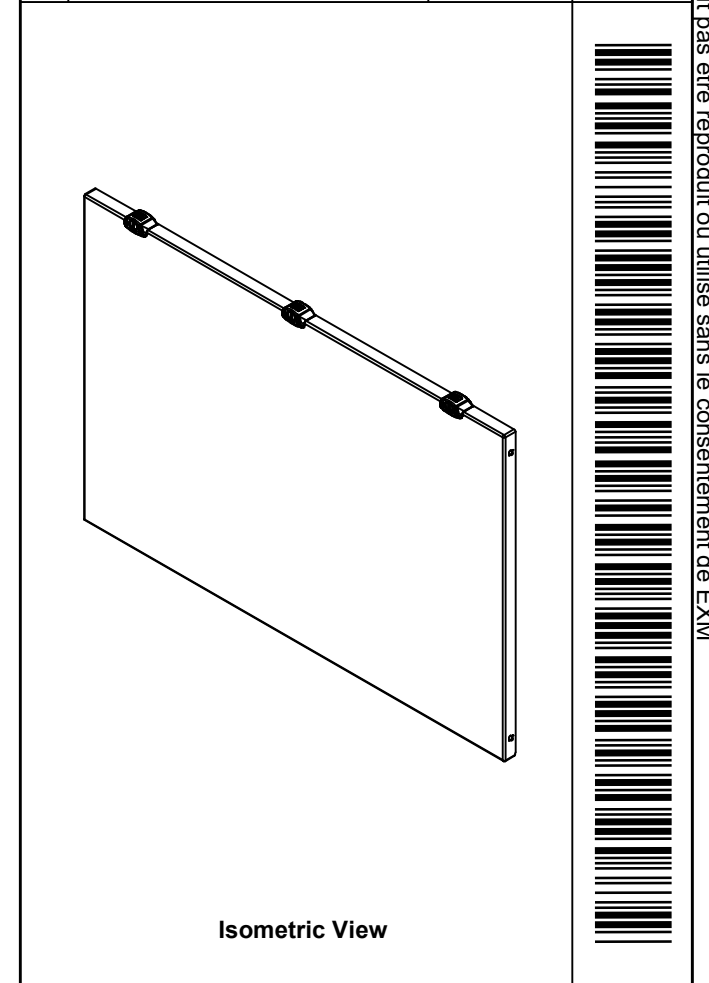



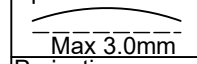
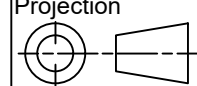
| | | | |
|--|-----------------------------|----------|----------|
| | Description | Status | |
| | 1412CSSP 16" x 24" Cover | (NULL) | |
| | Part Number Numéro Pièce | Rev. | |
| | 1412CSS162411PC | 0 | 10 11 |

This drawing is confidential and must not be reproduced or used without the consent of EXM

Ce dessin est confidentiel et ne doit pas être reproduit ou utilisé sans le consentement de EXM

| No. | Revisions | Date | By/Par |
|-----|-----------|------|--------|
| | | | |
| | | | |
| | | | |
| | | | |
| | | | |



| | | |
|--|-----------------------------------|--|
|  Tél: (450) 979-4373 Fax: (450) 979-4626 www.exmweb.com | | Flatness Aplatissement  Max 3.0mm Projection  |
| Customer Client | Date | |
| Drawn By Dessiné Par | BoxCad: BoxCad | Date 08-Sep-25 |
| Material Matière | 16 Ga Stainless Steel 304 (1.4mm) | |
| Color Couleur | Asa-61 Grey | Finish Fini Smooth |
| Description | | Detail Rev. |
| 1412CSSP 16" x 24" Cover | | |
| Part Number Numéro Pièce | Rev. | 11 |
| 1412CSS162411PC | 0 | 11 |

| Qty | Part Name | Rev | Description |
|------------|-------------------|-----|--|
| 4 | STK-Q-08500 | 4 | Stainless Steel Standoff M6 x 10mm |
| 1 | STK-P-02400S | 0 | Powder Paint (Asa-61 Grey / Smooth) |
| 1 | 1412CSS162411PG | 0 | 1412CSSP 16" x 24" Gasket |
| 1 | 1412CSS162411PC-P | 0 | 1412CSSP 16" x 24" Cover Part |
| 2 | STK-A-33038 | 5 | 5412 ESSCH Hinge Assembly |
| 3 | STK-A-79961 | 11 | 5412 ESSMCH - Stainless Steel External Lock Assy - Slot Lock |
| Parts List | | | |