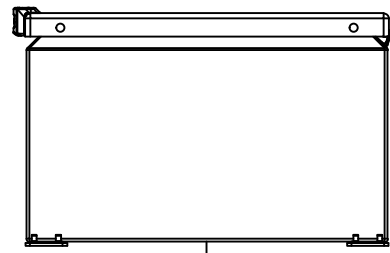
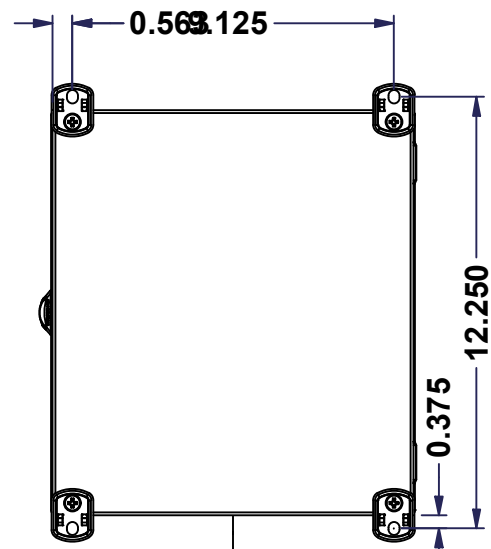


This drawing is confidential and must not be reproduced or used without the consent of EXM

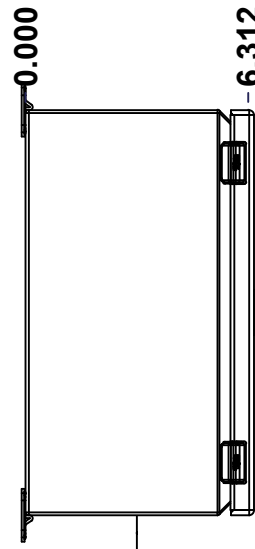
Ce dessin est confidentiel et ne doit pas être reproduit ou utilisé sans le consentement de EXM



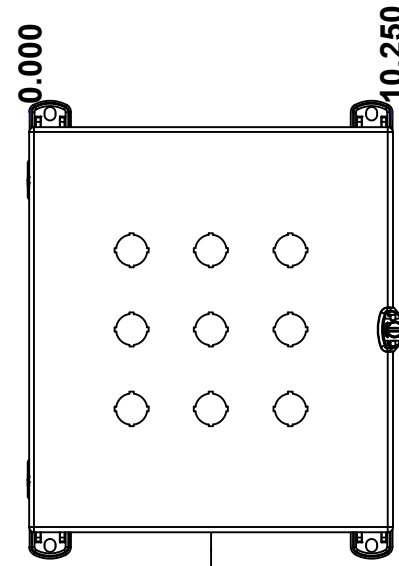
TOP



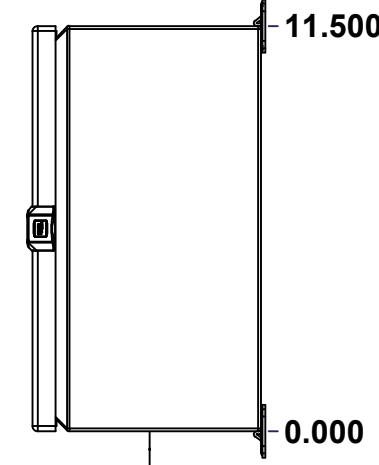
BACK



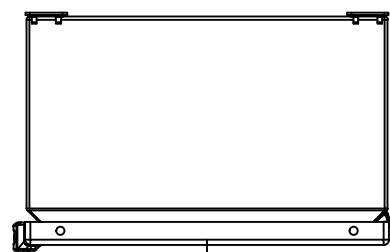
LEFT



FRONT

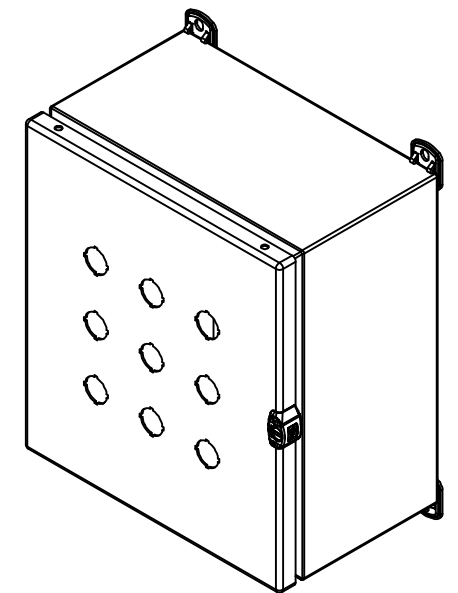


RIGHT



BOTTOM

| No. | Revisions | Date | By/Par |
|-----|-----------|------|--------|
|     |           |      |        |
|     |           |      |        |
|     |           |      |        |
|     |           |      |        |



Isometric View

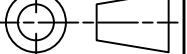


Tél: (450) 979-4373  
 Fax: (450) 979-4626  
[www.exmweb.com](http://www.exmweb.com)

Flatness  
Aplatissement

Max 3.0mm

Projection



|   |                |
|---|----------------|
| Customer<br>Client  | Date           |
| Drawn By<br>Dessiné Par BoxCad: BoxCad                        | Date 11-Jul-25 |
| Material<br>Matière 16 Ga Cold Rolled A1008 CS Type B (1.4mm) |                |

|                              |                       |
|------------------------------|-----------------------|
| Color<br>Couleur Asa-61 Grey | Finish<br>Fini Smooth |
|------------------------------|-----------------------|

|  |             |
|--|-------------|
| Description<br>1412ELMN 11.5" x 10.25" x 6" Assembly | Detail Rev. |
|--|-------------|

|  |        |        |
|--|--------|--------|
| Part Number<br>Numéro Pièce 1412EL111006MN | Rev. 0 | 1<br>9 |
|--|--------|--------|

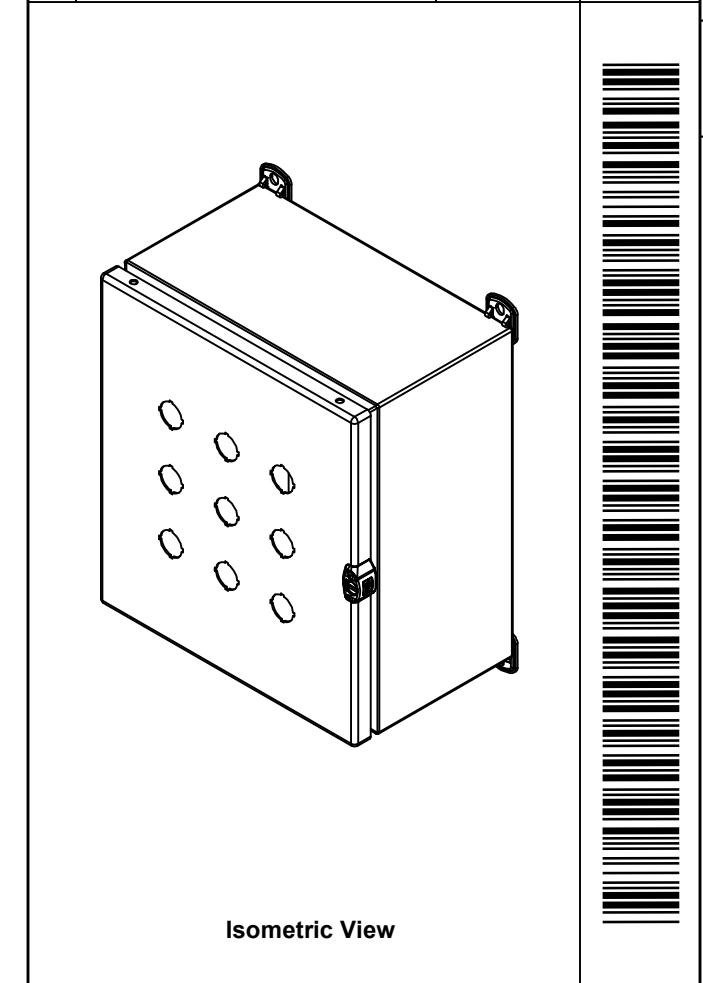
SEE BILL OF MATERIAL ON LAST PAGE


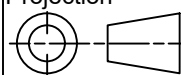
This drawing is confidential and must not be reproduced or used without the consent of EXM

Ce dessin est confidentiel et ne doit pas être reproduit ou utilisé sans le consentement de EXM

| NOTE |  |
|------|--|
| ITEM | DESCRIPTION                                    |
| 1    | NEMA 4, 12 Enclosure (IP66)                    |
| 2    | C/W Standard ground standoffs on box and cover |
| 3    | W/O Standard door stiffener                    |
| 4    | C/W Standard inner panel (Included)            |
| 5    | C/W Standard inner panel mounting standoffs    |
| 6    | C/W 885 ESCHMF1 Mounting Feet (Installed)      |

| No. | Revisions | Date | By/Par |
|-----|-----------|------|--------|
|     |           |      |        |
|     |           |      |        |
|     |           |      |        |
|     |           |      |        |
|     |           |      |        |
|     |           |      |        |



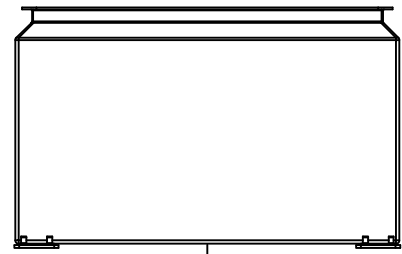
|  |   |
|--|---|
|  Tél: (450) 979-4373<br>Fax: (450) 979-4626<br><a href="http://www.exmweb.com">www.exmweb.com</a> | Flatness<br>Aplatissement<br>Max 3.0mm  |
|  | Projection<br> |
| Customer Client  | Date  |
| Drawn By<br>Dessiné Par BoxCad: BoxCad   | Date 11-Jul-25  |
| Material<br>Matière 16 Ga Cold Rolled A1008 CS Type B (1.4mm)  |   |
| Color<br>Couleur Asa-61 Grey   | Finish<br>Fini Smooth   |
| Description<br>1412ELMN 11.5" x 10.25" x 6" Assembly   |   |
| Part Number<br>Numéro Pièce <b>1412EL111006MN</b>  | Rev. 2<br><b>0</b> 9  |

| PACKING               |     |  |
|-----------------------|-----|--|
| ITEM                  | QTY | DESCRIPTION                                |
| Cardboard sleeve      | 2   | Top and Bottom                             |
| Cardboard strip       | 2   | Between back of enclosure and inner panel  |
| Plastic bag           | 1   | To protect cover surface and inside gasket |
| Plastic strap - Black | 2   | To Squeeze the 2 cardboard sleeve together |
| Packaging label       | 1   | White label with product number            |

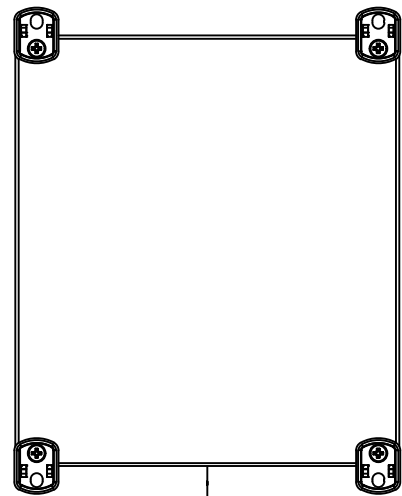
| Qty        | Part Number     | Rev | Description                       |
|------------|-----------------|-----|-----------------------------------|
| 1          | 1412EL111006MNC | 0   | 1412ELMN 11.5" x 10.25" Cover     |
| 1          | 880 SP1008G     | 0   | 880 SP1008G - Inner Panel         |
| 1          | STK-K-02910     | 3   | 5412 ESCH Accessory Kit           |
| 1          | 1412EL111006MNB | 0   | 1412ELMN 11.5" x 10.25" x 6" Body |
| Parts List |                 |     |                                   |

This drawing is confidential and must not be reproduced or used without the consent of EXM

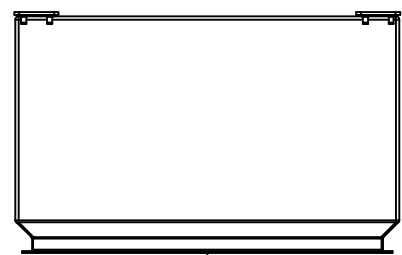
Ce dessin est confidentiel et ne doit pas être reproduit ou utilisé sans le consentement de EXM



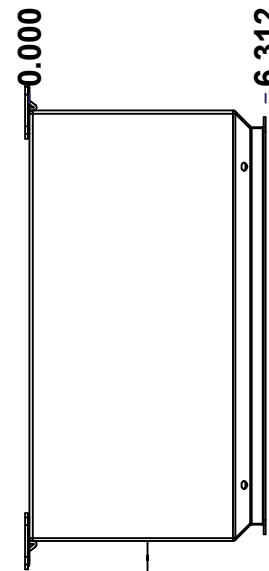
TOP



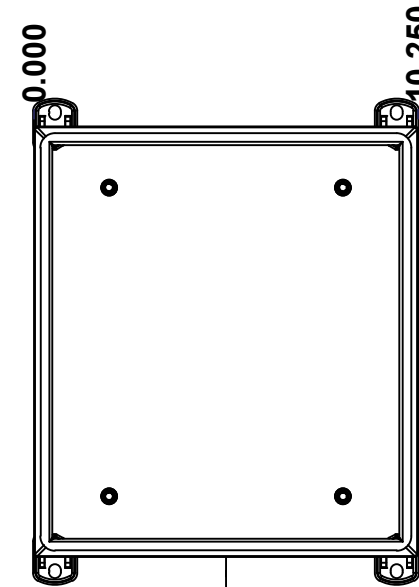
BACK



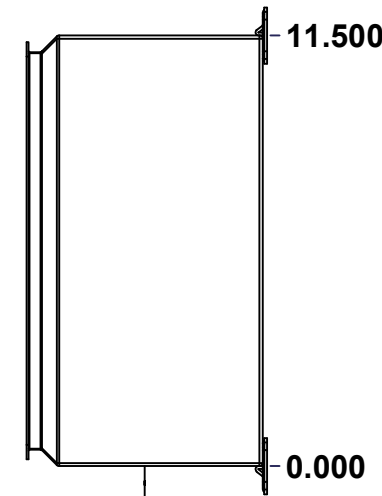
BOTTOM



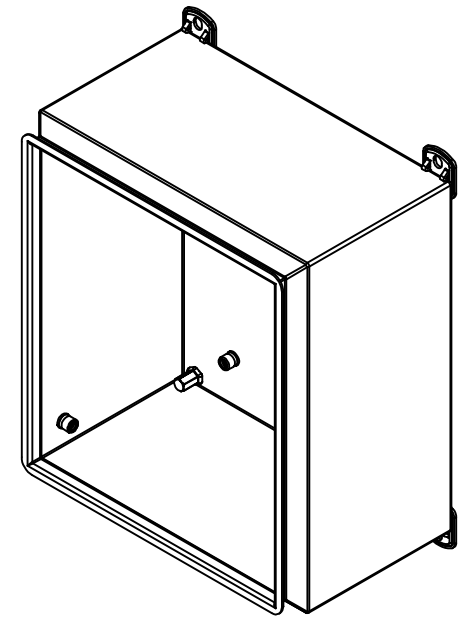
LEFT



FRONT




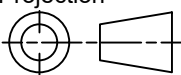
RIGHT



Isometric View



| No. | Revisions | Date | By/Par |
|-----|-----------|------|--------|
|     |           |      |        |
|     |           |      |        |
|     |           |      |        |
|     |           |      |        |

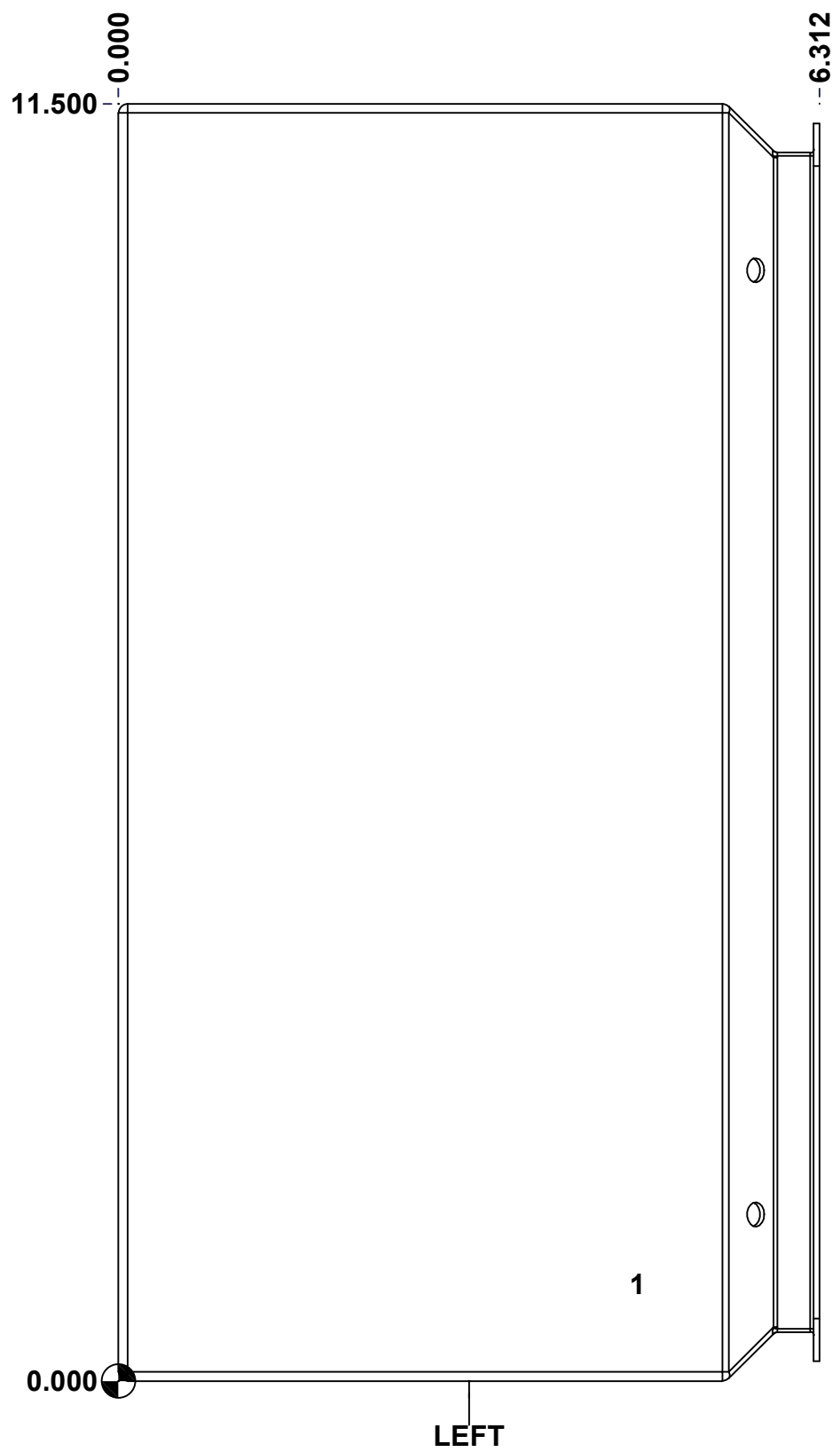
|  |   |   |
|--|---|---|
|  Tél: (450) 979-4373<br>Fax: (450) 979-4626<br><a href="http://www.exmweb.com">www.exmweb.com</a> |   | Flatness<br>Aplatissement<br>Max 3.0mm<br>Projection<br> |
| Customer Client  | Date                                      |   |
| Drawn By<br>Dessiné Par  | BoxCad: BoxCad                            | Date 11-Jul-25  |
| Material<br>Matière  | 16 Ga Cold Rolled A1008 CS Type B (1.4mm) |   |
| Color<br>Couleur   | Asa-61 Grey                               | Finish<br>Fini Smooth   |
| Description  | Detail Rev.                               |   |
| 1412ELMN 11.5" x 10.25" x 6" Body  |   |   |
| Part Number<br>Numéro Pièce  | Rev.                                      | 3   |
| 1412EL111006MNB  | 0   | 9   |

SEE BILL OF MATERIAL ON LAST PAGE

This drawing is confidential and must not be reproduced or used without the consent of EXM

Ce dessin est confidentiel et ne doit pas être reproduit ou utilisé sans le consentement de EXM

| <b>STANDARD FEATURES ARE NOT LISTED IN THIS HOLE TABLE</b> |       |       |                             |
|--|-------|-------|-----------------------------|
| <b>HOLE TABLE - LEFT VIEW (CUSTOM FEATURE ONLY)</b>        |       |       |                             |
| CUT-OUT  | XDIM  | YDIM  | DESCRIPTION                 |
| 1  | 4.625 | 0.875 | STANDOFF M6 x 10mm (Inside) |



|  |                                 |          |
|--|---------------------------------|----------|
|  | Description                     | Status   |
|  | 1412EL 11.5" x 10.25" x 6" Body | (NULL)   |
|  | Part Number<br>Numéro Pièce     | Rev.     |
|  | <b>1412EL111006MNB</b>          | <b>0</b> |
|  |                                 | 4<br>9   |

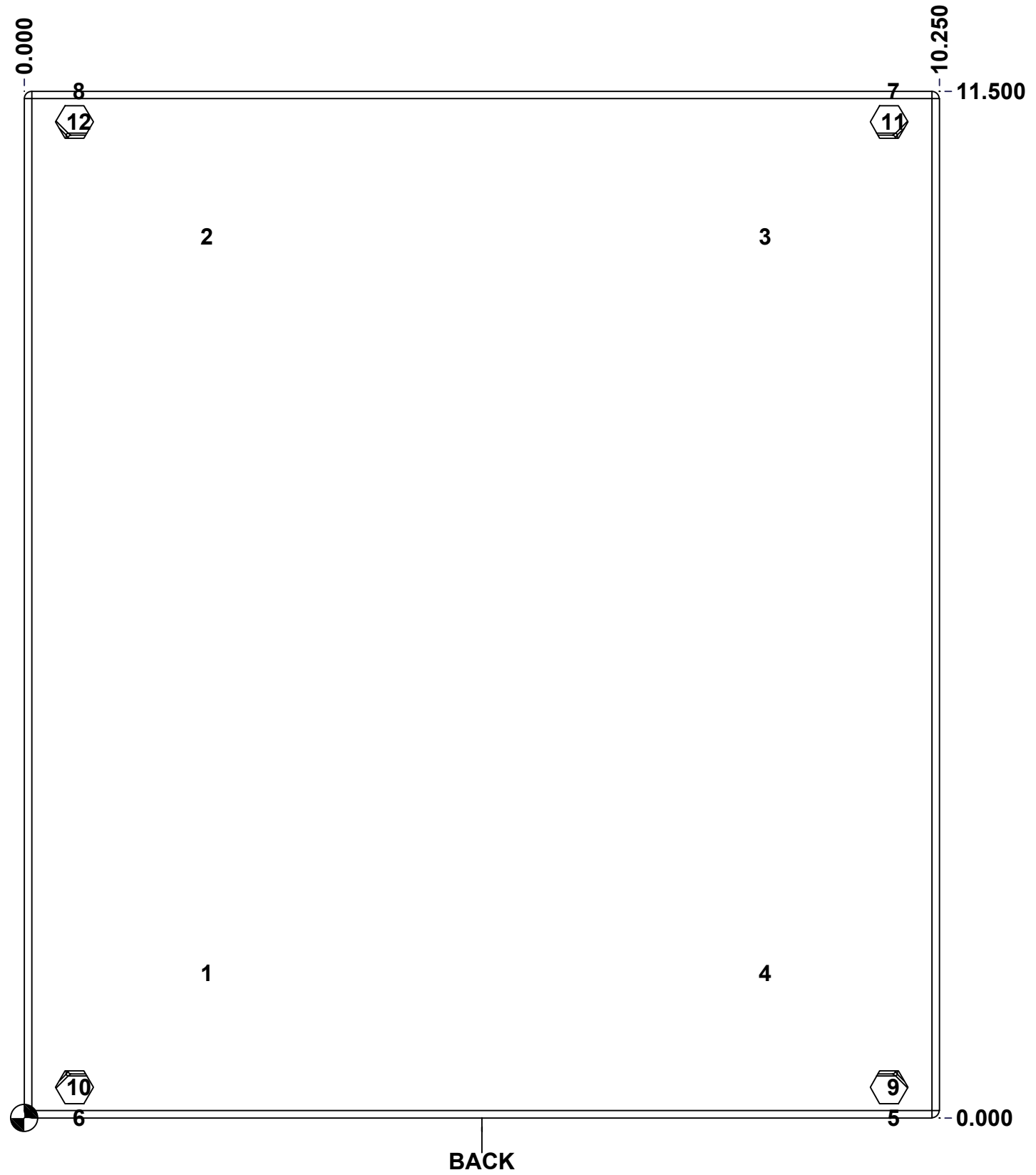
This drawing is confidential and must not be reproduced or used without the consent of EXM

Ce dessin est confidentiel et ne doit pas être reproduit ou utilisé sans le consentement de EXM

**STANDARD FEATURES ARE NOT LISTED IN THIS HOLE TABLE**

**HOLE TABLE - BACK VIEW (CUSTOM FEATURE ONLY)**

| CUT-OUT | XDIM  | YDIM   | DESCRIPTION                    |
|---------|-------|--------|--------------------------------|
| 1       | 2.000 | 1.625  | IP STANDOFF M6 x 10mm (Inside) |
| 2       | 2.000 | 9.875  | IP STANDOFF M6 x 10mm (Inside) |
| 3       | 8.250 | 9.875  | IP STANDOFF M6 x 10mm (Inside) |
| 4       | 8.250 | 1.625  | IP STANDOFF M6 x 10mm (Inside) |
| -----   |       |        |                                |
| 5       | 9.687 | 0.000  | FOOT 885 ESCHMF1               |
| 6       | 0.563 | 0.000  | FOOT 885 ESCHMF1               |
| 7       | 9.687 | 11.500 | FOOT 885 ESCHMF1               |
| 8       | 0.563 | 11.500 | FOOT 885 ESCHMF1               |
| 9       | 9.687 | 0.344  | RIVET NUT M6_FH_CE (Inside)    |
| 10      | 0.563 | 0.344  | RIVET NUT M6_FH_CE (Inside)    |
| 11      | 9.687 | 11.156 | RIVET NUT M6_FH_CE (Inside)    |
| 12      | 0.563 | 11.156 | RIVET NUT M6_FH_CE (Inside)    |

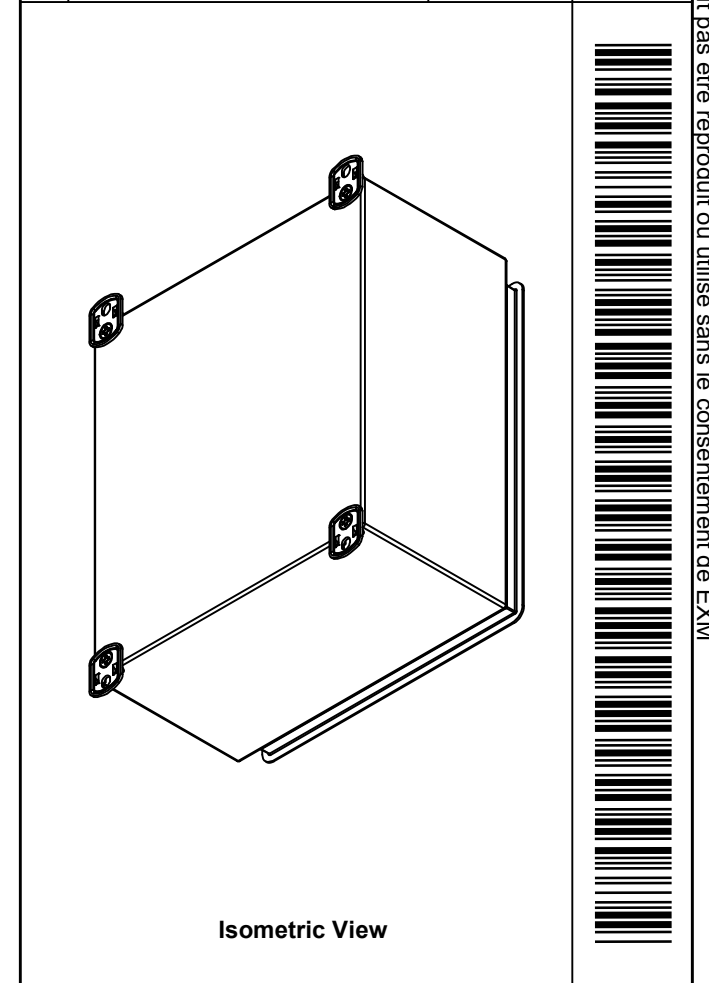



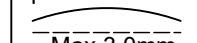
|  |                                 |                  |
|--|---------------------------------|------------------|
|  | Description                     | Status           |
|  | 1412EL 11.5" x 10.25" x 6" Body | (NULL)           |
|  | Part Number<br>Numéro Pièce     | Rev.             |
|  | <b>1412EL111006MNB</b>          | <b>0</b> / 5 / 9 |

This drawing is confidential and must not be reproduced or used without the consent of EXM

Ce dessin est confidentiel et ne doit pas être reproduit ou utilisé sans le consentement de EXM

| No. | Revisions | Date | By/Par |
|-----|-----------|------|--------|
|     |           |      |        |
|     |           |      |        |
|     |           |      |        |
|     |           |      |        |
|     |           |      |        |

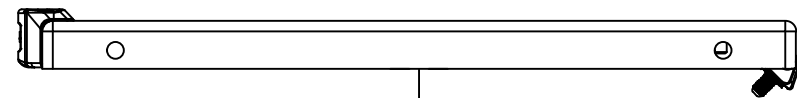


|  |  |   |
|--|--|---|
|  Tél: (450) 979-4373<br>Fax: (450) 979-4626<br><a href="http://www.exmweb.com">www.exmweb.com</a> |  | Flatness<br>Aplatissement<br><br>Max 3.0mm |
| Customer Client  |  | Date  |
| Drawn By / Dessiné Par: BoxCad: BoxCad   |  | Date: 11-Jul-25   |
| Material / Matière: 16 Ga Cold Rolled A1008 CS Type B (1.4mm)  |  |   |
| Color / Couleur: Asa-61 Grey   |  | Finish / Fini: Smooth   |
| Description: 1412ELMN 11.5" x 10.25" x 6" Body   |  | Detail Rev.   |
| Part Number / Numéro Pièce: <b>1412EL111006MNB</b>   |  | Rev. 0 / 6  |

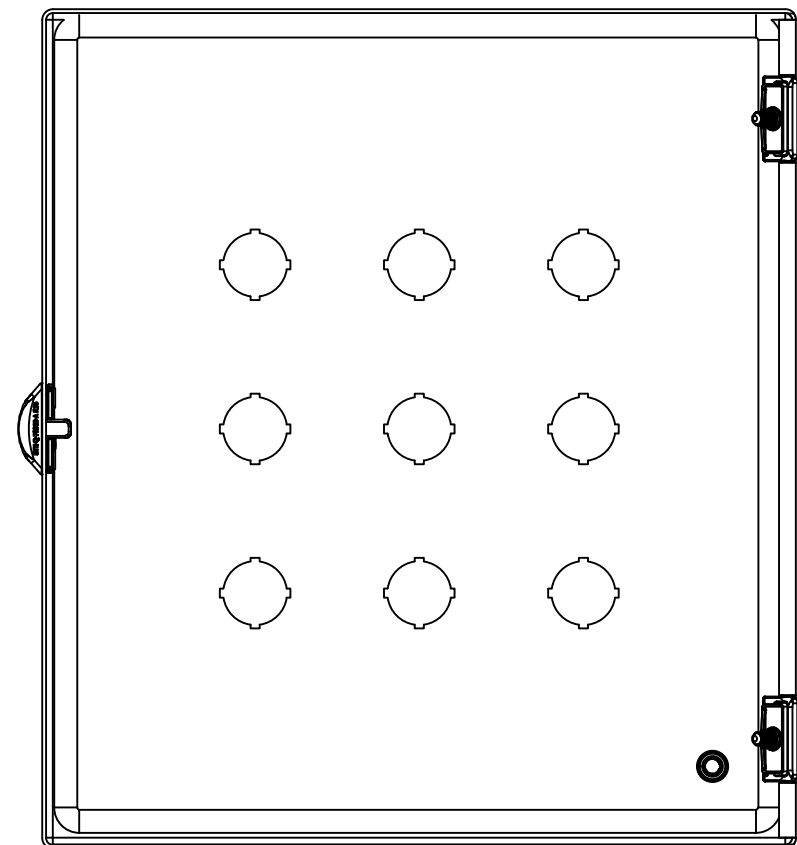
| Qty        | Part Number        | Rev | Description                          |
|------------|--------------------|-----|--------------------------------------|
| 4          | RIVET_NUT_M6_FH_CE | 0   | Rivet Nut M6 (Low Profile Close End) |
| 4          | STK-Q-03071        | 0   | M6 x 16mm Machine Screw              |
| 1          | STK-P-02400S       | 0   | Powder Paint (Asa-61 Grey / Smooth)  |
| 1          | 1412EL111006MNB-P  | 0   | 1412EL 11.5" x 10.25" x 6" Body Part |
| 4          | 885 ESCHMF1        | 2   | 5412 ESCH Stamped Mounting Foot      |
| 5          | STK-Q-08350        | 5   | Standoff M6 x 10mm                   |
| Parts List |                    |     |                                      |

This drawing is confidential and must not be reproduced or used without the consent of EXM

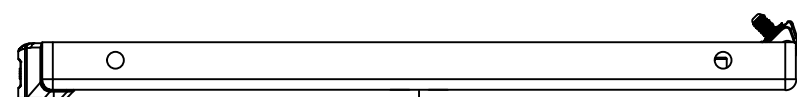
Ce dessin est confidentiel et ne doit pas être reproduit ou utilisé sans le consentement de EXM



TOP



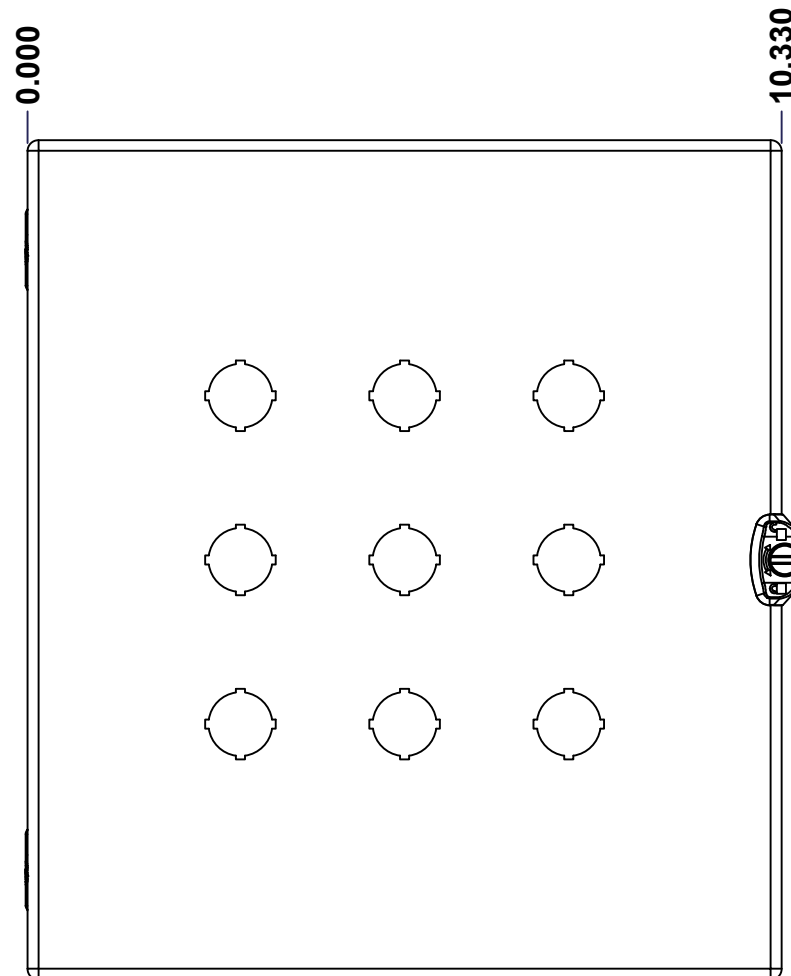
BACK



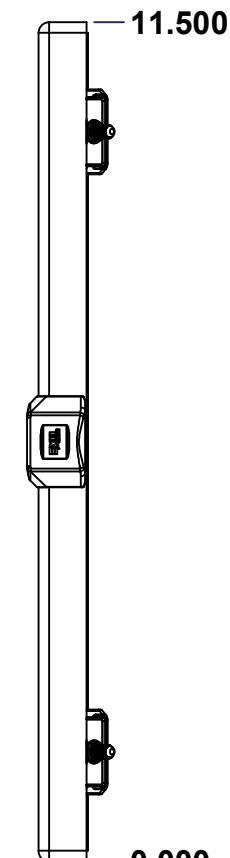
BOTTOM



LEFT

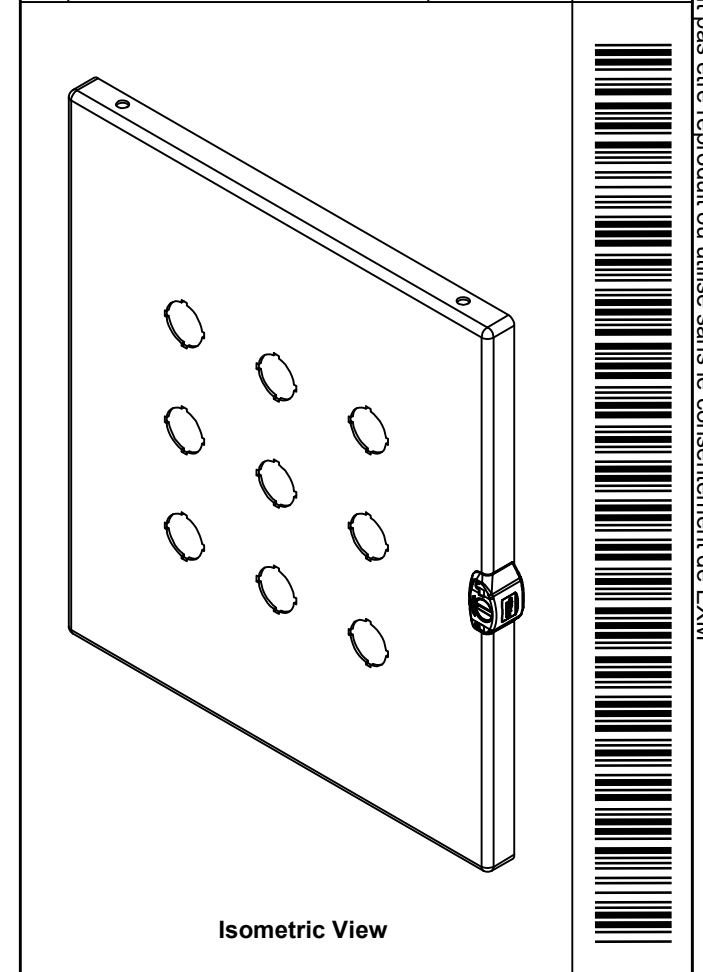


FRONT




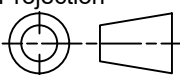
RIGHT

| No. | Revisions | Date | By/Par |
|-----|-----------|------|--------|
|     |           |      |        |
|     |           |      |        |
|     |           |      |        |
|     |           |      |        |



Isometric View



|  |   |   |
|--|---|---|
|  Tél: (450) 979-4373<br>Fax: (450) 979-4626<br><a href="http://www.exmweb.com">www.exmweb.com</a> |   | Flatness<br>Aplatissement<br>Max 3.0mm<br>Projection<br> |
| Customer Client  | Date                                      |   |
| Drawn By<br>Dessiné Par  | BoxCad: BoxCad                            | Date 11-Jul-25  |
| Material<br>Matière  | 16 Ga Cold Rolled A1008 CS Type B (1.4mm) |   |
| Color<br>Couleur   | Asa-61 Grey                               | Finish<br>Fini Smooth   |
| Description<br>1412ELMN 11.5" x 10.25" Cover   |   | Detail Rev.   |
| Part Number<br>Numéro Pièce  | Rev. 0                                    | 7<br>9  |

SEE BILL OF MATERIAL ON LAST PAGE

**1412EL111006MNC**

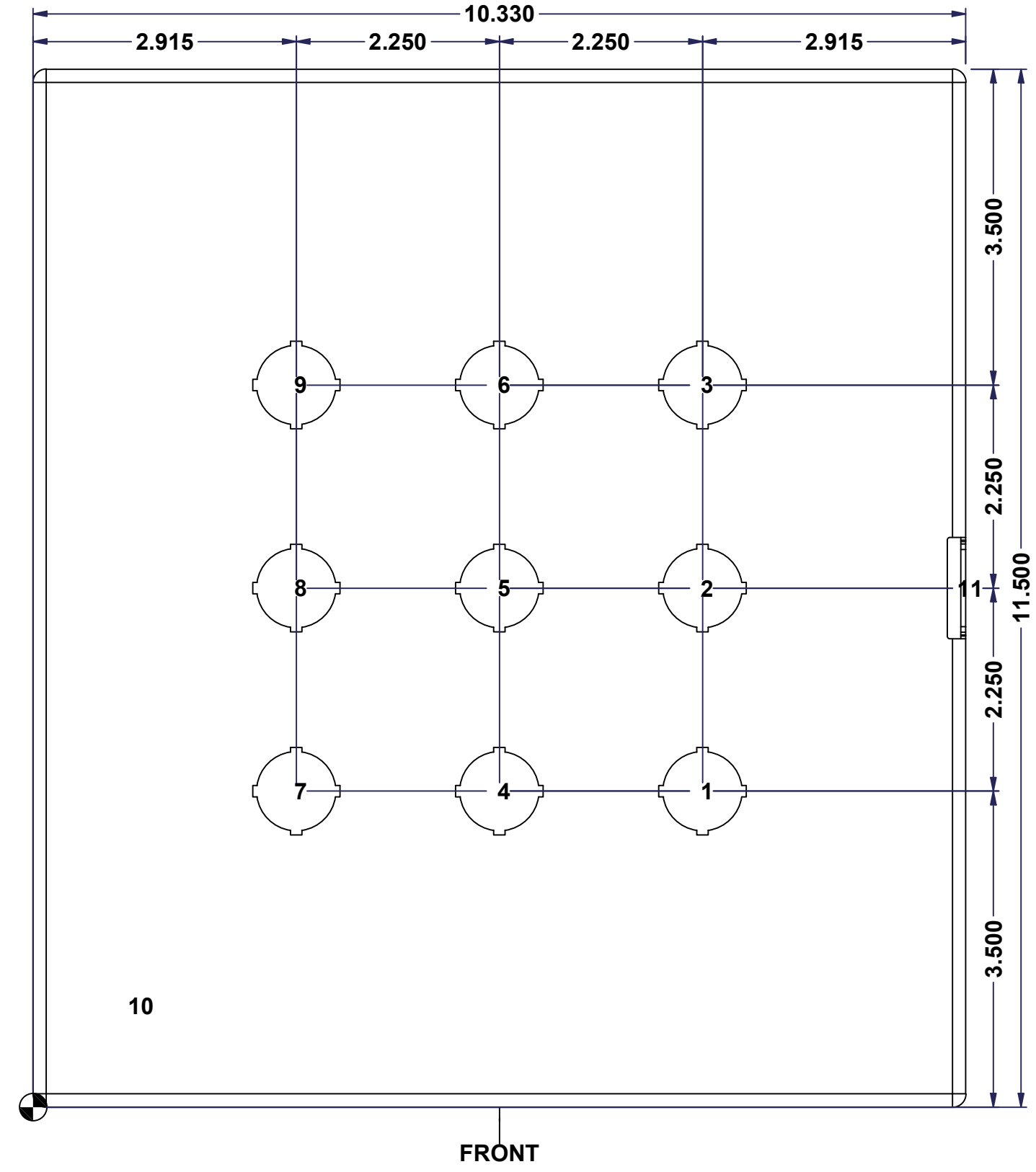
This drawing is confidential and must not be reproduced or used without the consent of EXM

Ce dessin est confidentiel et ne doit pas être reproduit ou utilisé sans le consentement de EXM

**STANDARD FEATURES ARE NOT LISTED IN THIS HOLE TABLE**

**HOLE TABLE - FRONT VIEW (CUSTOM FEATURE ONLY)**

| CUT-OUT | XDIM   | YDIM  | DESCRIPTION                  |
|---------|--------|-------|------------------------------|
| 1       | 7.415  | 3.500 | 22.5 mm Miniature Pushbutton |
| 2       | 7.415  | 5.750 | 22.5 mm Miniature Pushbutton |
| 3       | 7.415  | 8.000 | 22.5 mm Miniature Pushbutton |
| 4       | 5.165  | 3.500 | 22.5 mm Miniature Pushbutton |
| 5       | 5.165  | 5.750 | 22.5 mm Miniature Pushbutton |
| 6       | 5.165  | 8.000 | 22.5 mm Miniature Pushbutton |
| 7       | 2.915  | 3.500 | 22.5 mm Miniature Pushbutton |
| 8       | 2.915  | 5.750 | 22.5 mm Miniature Pushbutton |
| 9       | 2.915  | 8.000 | 22.5 mm Miniature Pushbutton |
| 10      | 1.145  | 1.125 | STANDOFF M6 x 10mm (Inside)  |
| 11      | 10.330 | 5.750 | LOCK 880 SCQ2MS @ 0.0°       |

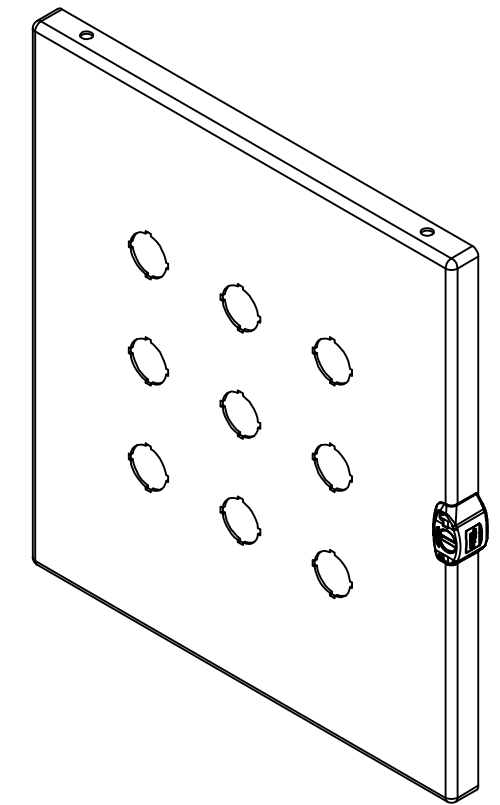


|   |                             |        |
|---|-----------------------------|--------|
|   | Description                 | Status |
|   | 1412EL 11.5" x 10.25" Cover | (NULL) |
| Part Number<br>Numéro Pièce<br><b>1412EL111006MNC</b> | Rev.                        | 8      |
|   | <b>0</b>                    | 9      |

This drawing is confidential and must not be reproduced or used without the consent of EXM


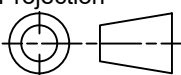
Ce dessin est confidentiel et ne doit pas être reproduit ou utilisé sans le consentement de EXM

| No. | Revisions | Date | By/Par |
|-----|-----------|------|--------|
|     |           |      |        |
|     |           |      |        |
|     |           |      |        |
|     |           |      |        |
|     |           |      |        |



Isometric View

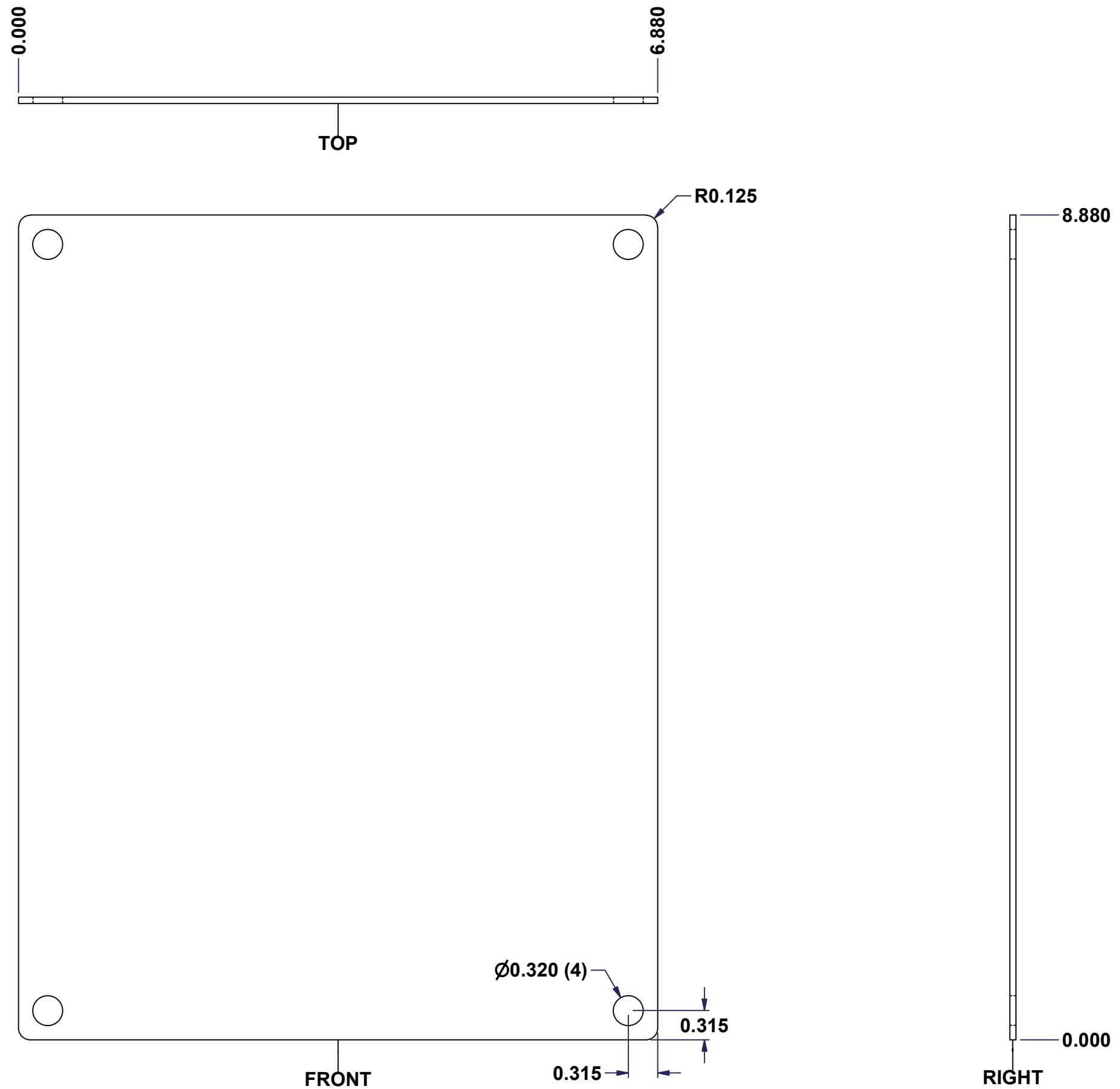


|  |   |   |
|--|---|---|
|  Tél: (450) 979-4373<br>Fax: (450) 979-4626<br><a href="http://www.exmweb.com">www.exmweb.com</a> | Flatness<br>Aplatissement                 | Max 3.0mm   |
|  | Projection                                |  |
| Customer<br>Client   | Date                                      |   |
| Drawn By<br>Dessiné Par  | BoxCad: BoxCad                            | Date 11-Jul-25  |
| Material<br>Matière  | 16 Ga Cold Rolled A1008 CS Type B (1.4mm) |   |
| Color<br>Couleur   | Asa-61 Grey                               | Finish<br>Fini Smooth   |
| Description  | Detail Rev.                               |   |
| 1412ELMN 11.5" x 10.25" Cover  |   |   |
| Part Number<br>Numéro Pièce  | Rev.                                      | 9   |
| <b>1412EL111006MNC</b>   | <b>0</b>                                  | <b>9</b>  |

| 1          | 1412EL111006MNG   | 0   | 1412EL 11.5" x 10.25" Gasket                |
|------------|-------------------|-----|---|
| 1          | STK-A-79960       | 14  | 5412 ESMCH - External Lock Assy - Slot Lock |
| 1          | STK-Q-08350       | 5   | Standoff M6 x 10mm                          |
| 1          | STK-P-02400S      | 0   | Powder Paint (Asa-61 Grey / Smooth)         |
| 1          | 1412EL111006MNC-P | 0   | 1412EL 11.5" x 10.25" Cover Part            |
| 2          | STK-A-33033       | 4   | 5412 ESMCH Hinge                            |
| Qty        | Part Number       | Rev | Description                                 |
| Parts List |                   |     |   |

This drawing is confidential and must not be reproduced or used without the consent of EXM

Ce dessin est confidentiel et ne doit pas être reproduit ou utilisé sans le consentement de EXM



| No. | Revisions | Date | By/Par |
|-----|-----------|------|--------|
|     |           |      |        |
|     |           |      |        |
|     |           |      |        |
|     |           |      |        |
|     |           |      |        |

**Isometric View**

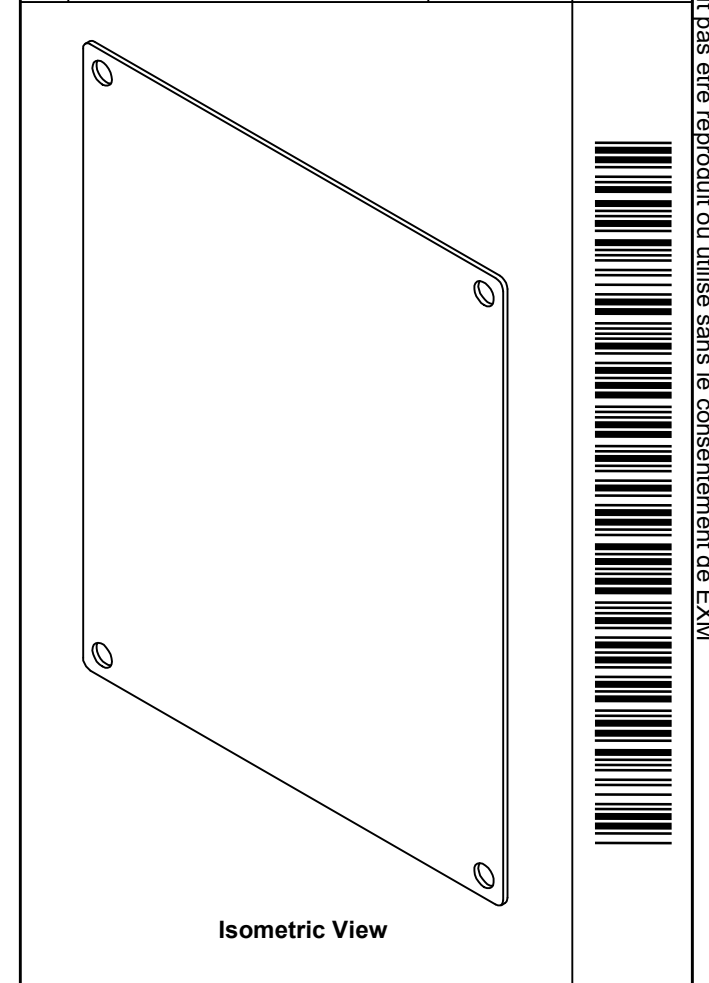
|  |                          |  |
|--|--------------------------|--|
| Tél: (450) 979-4373<br>Fax: (450) 979-4626<br>www.exmweb.com |                          | Flatness<br>Aplatissement<br>Max 3.0mm<br>Projection<br> |
| Customer Client  | Date                     |  |
| Drawn By<br>Dessiné Par                                      | BoxCad                   | Date 23-Jan-07   |
| Material<br>Matière  | 14 Ga Galvanized (1.7mm) |  |
| Color<br>Couleur   | Unpainted                | Finish<br>Fini Galvanized                                |
| Description  | Detail Rev.              |  |
| 880 SP1008G - Inner Panel                                    |                          |  |
| Part Number<br>Numéro Pièce                                  | Rev.                     | 1<br>2   |
| <b>880 SP1008G</b>   |                          | <b>0</b>   |


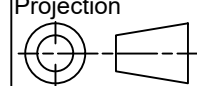
**SEE BILL OF MATERIAL ON LAST PAGE**

This drawing is confidential and must not be reproduced or used without the consent of EXM

Ce dessin est confidentiel et ne doit pas être reproduit ou utilisé sans le consentement de EXM

| No. | Revisions | Date | By/Par |
|-----|-----------|------|--------|
|     |           |      |        |
|     |           |      |        |
|     |           |      |        |
|     |           |      |        |
|     |           |      |        |



|  |                           |   |
|--|---------------------------|---|
|  Tél: (450) 979-4373<br>Fax: (450) 979-4626<br>www.exmweb.com |                           | Flatness<br>Aplatissement<br>Max 3.0mm  |
| Customer Client  |                           | Projection<br> |
| Drawn By / Dessiné Par: BoxCad   |                           | Date: 23-Jan-07   |
| Material / Matière: 14 Ga Galvanized (1.7mm)   |                           |   |
| Color / Couleur: Unpainted   | Finish / Fini: Galvanized |   |
| Description: 880 SP1008G - Inner Panel   |                           | Detail Rev.   |
| Part Number / Numéro Pièce: <b>880 SP1008G</b>   |                           | Rev. 0 / 2  |

| Qty        | Part Number  | Rev. | Description                    |
|------------|--------------|------|--------------------------------|
| 1          | 880SP1008G-P | 0    | 880 SP1008G - Inner Panel Part |
| Parts List |              |      |                                |