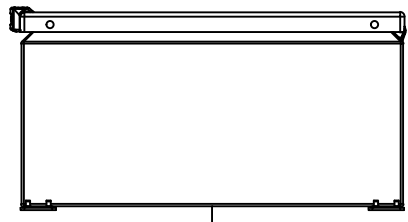
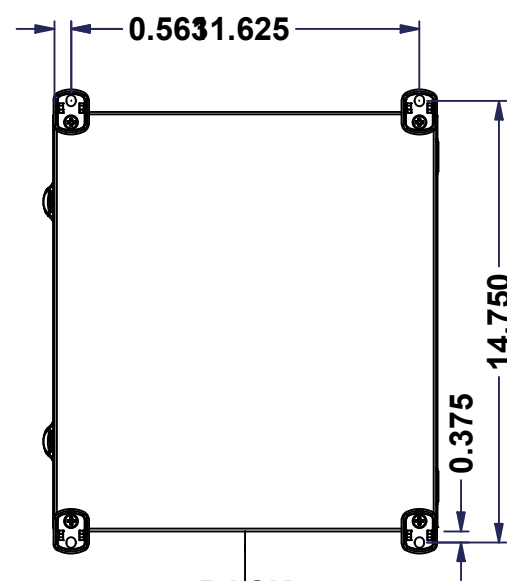


This drawing is confidential and must not be reproduced or used without the consent of EXM

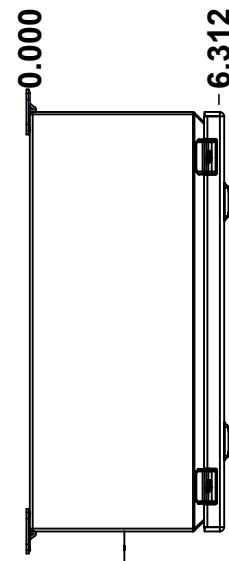
Ce dessin est confidentiel et ne doit pas être reproduit ou utilisé sans le consentement de EXM



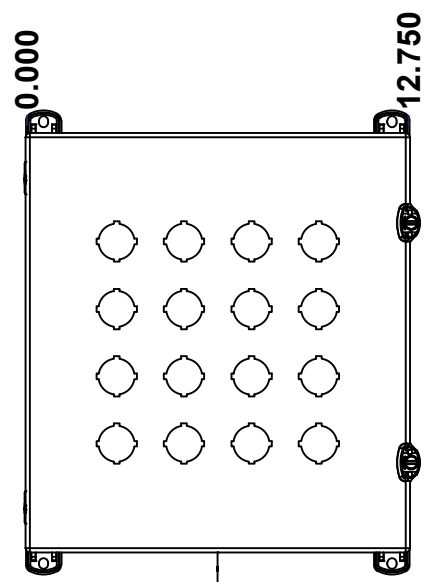
TOP



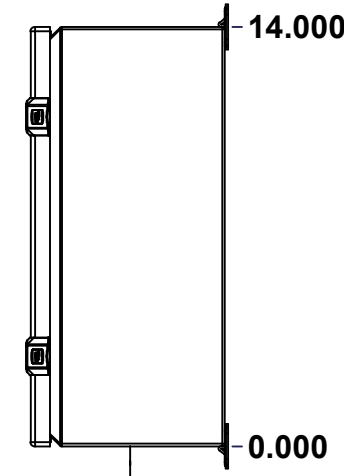
BACK



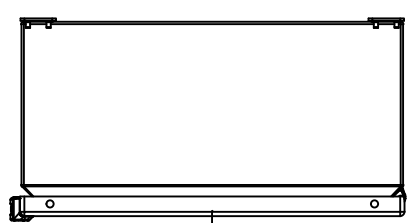
LEFT



FRONT

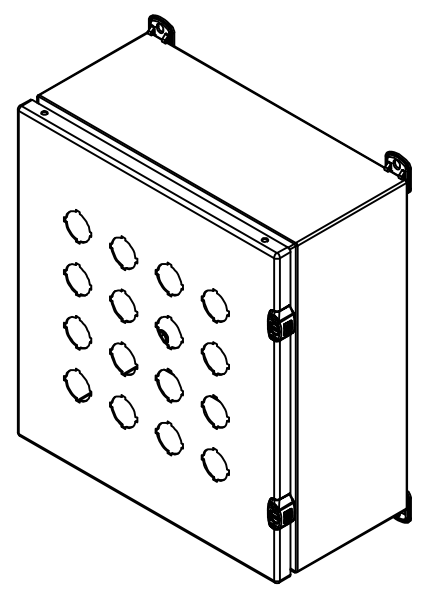


RIGHT




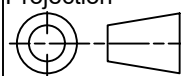
BOTTOM

No.	Revisions	Date	By/Par



Isometric View



 Tél: (450) 979-4373 Fax: (450) 979-4626 www.exmweb.com		Flatness Aplatissement Max 3.0mm Projection 
Customer Client		Date
Drawn By Dessiné Par	BoxCad: BoxCad	Date 11-Jul-25
Material Matière	16 Ga Cold Rolled A1008 CS Type B (1.4mm)	
Color Couleur	Asa-61 Grey	Finish Fini Smooth
Description 1412EL 14" x 12.75" x 6" Assembly		Detail Rev.
Part Number Numéro Pièce	1412EL131206	Rev. 1 0

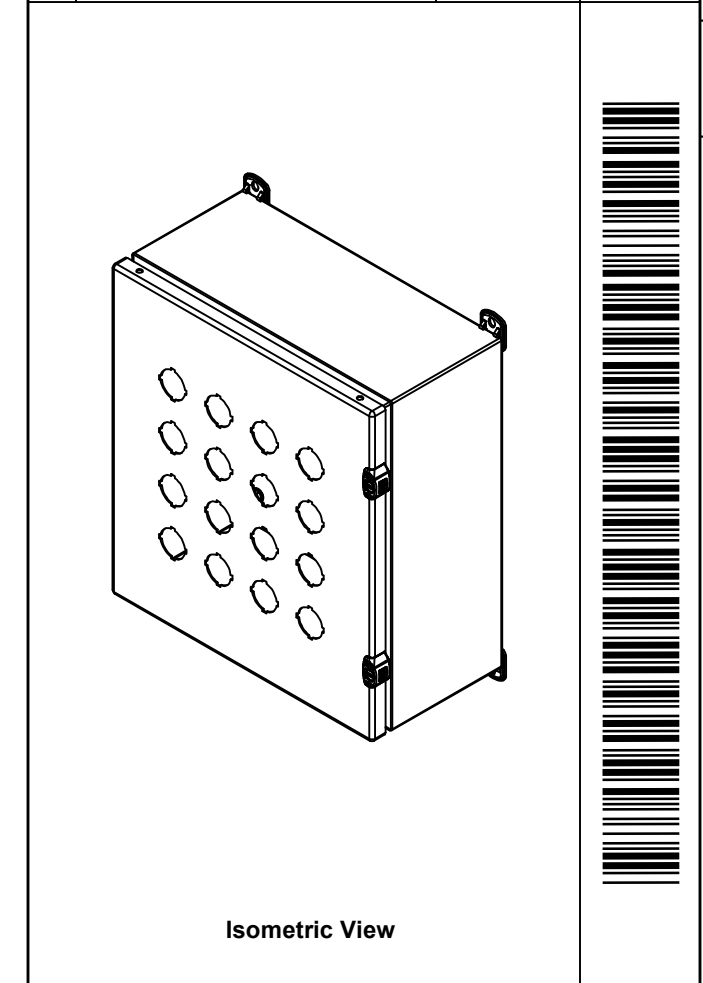
SEE BILL OF MATERIAL ON LAST PAGE


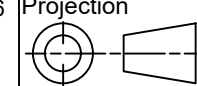
This drawing is confidential and must not be reproduced or used without the consent of EXM

Ce dessin est confidentiel et ne doit pas être reproduit ou utilisé sans le consentement de EXM

NOTE	
ITEM	DESCRIPTION
1	NEMA 4, 12 Enclosure (IP66)
2	C/W Standard ground standoffs on box and cover
3	W/O Standard door stiffener
4	C/W Standard inner panel (Included)
5	C/W Standard inner panel mounting standoffs
6	C/W 885 ESCHMF1 Mounting Feet (Installed)

No.	Revisions	Date	By/Par



 Tél: (450) 979-4373 Fax: (450) 979-4626 www.exmweb.com	Flatness Aplatissement Max 3.0mm
	Projection 
Customer Client	Date
Drawn By Dessiné Par BoxCad: BoxCad	Date 11-Jul-25
Material Matière 16 Ga Cold Rolled A1008 CS Type B (1.4mm)	

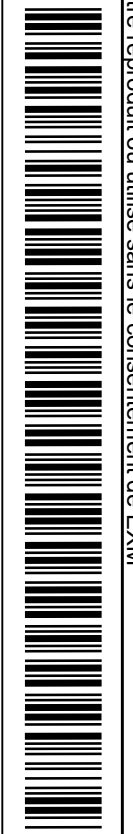
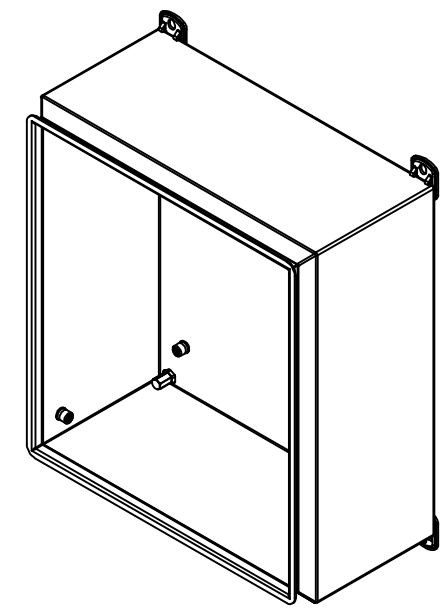
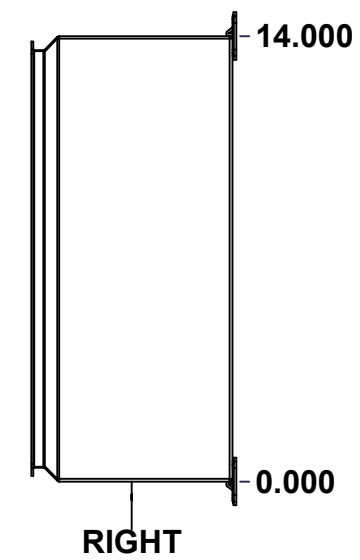
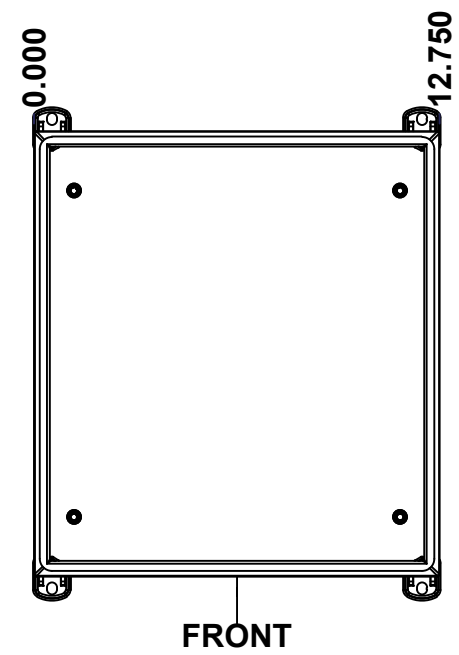
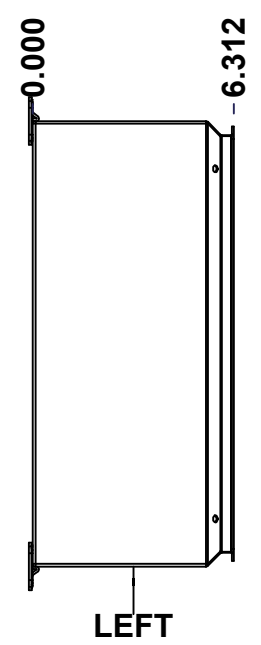
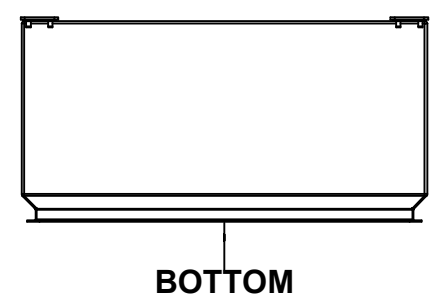
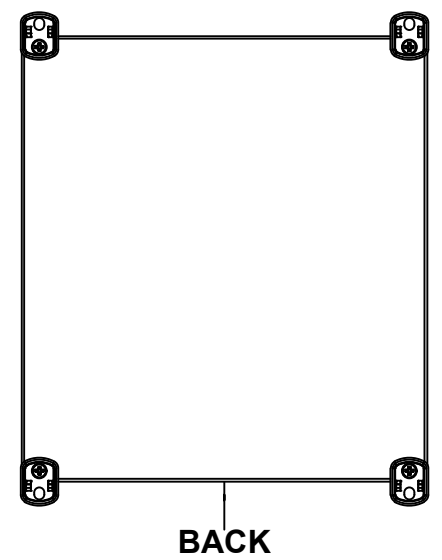
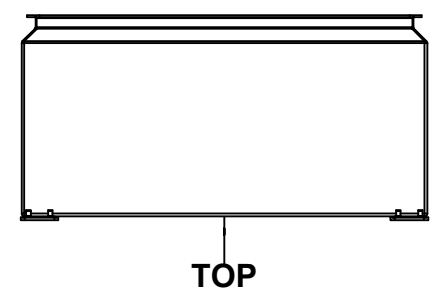
PACKING		
ITEM	QTY	DESCRIPTION
Cardboard sleeve	2	Top and Bottom
Cardboard strip	2	Between back of enclosure and inner panel
Plastic bag	1	To protect cover surface and inside gasket
Plastic strap - Black	2	To Squeeze the 2 cardboard sleeve together
Packaging label	1	White label with product number

Qty	Part Number	Rev	Description
1	1412EL131206C	0	1412EL 14" x 12.75" Cover
1	880 SP1212G	0	880 SP1212G - Inner Panel
1	STK-K-02910	3	5412 ESCH Accessory Kit
1	1412EL131206B	0	1412EL 14" x 12.75" x 6" Body
Parts List			


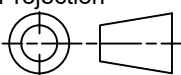
Color Couleur Asa-61 Grey	Finish Fini Smooth
Description 1412EL 14" x 12.75" x 6" Assembly	
Part Number Numéro Pièce	Rev. 2
1412EL131206	0

This drawing is confidential and must not be reproduced or used without the consent of EXM

Ce dessin est confidentiel et ne doit pas être reproduit ou utilisé sans le consentement de EXM



No.	Revisions	Date	By/Par

 Tél: (450) 979-4373 Fax: (450) 979-4626 www.exmweb.com		Flatness Aplatissement Max 3.0mm Projection 
Customer Client	Date	
Drawn By Dessiné Par	BoxCad: BoxCad	Date 11-Jul-25
Material Matière	16 Ga Cold Rolled A1008 CS Type B (1.4mm)	
Color Couleur	Asa-61 Grey	Finish Fini Smooth
Description	Detail Rev.	
1412EL 14" x 12.75" x 6" Body		
Part Number Numéro Pièce	Rev.	3
1412EL131206B	0	9

SEE BILL OF MATERIAL ON LAST PAGE

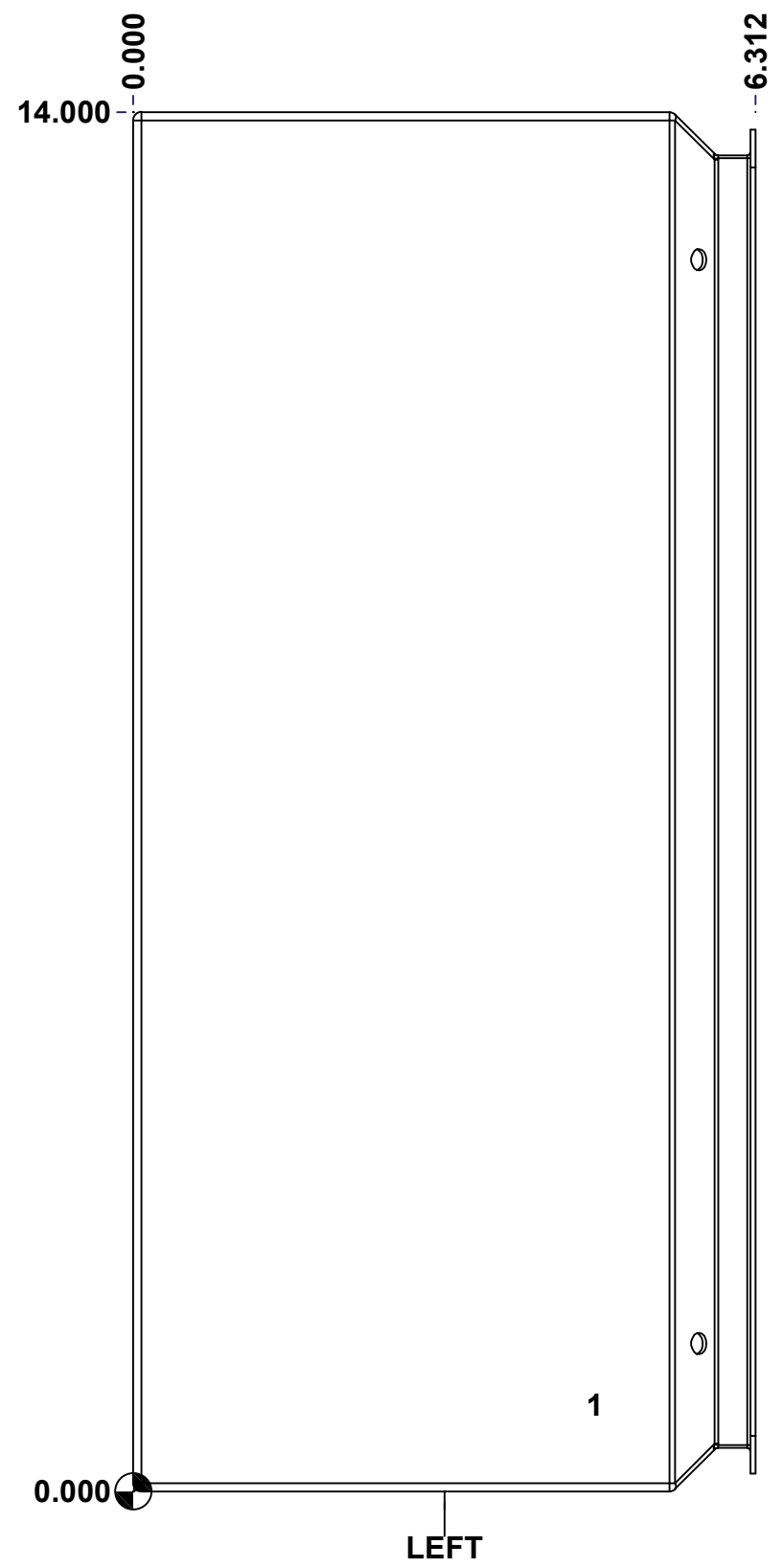
This drawing is confidential and must not be reproduced or used without the consent of EXM

Ce dessin est confidentiel et ne doit pas être reproduit ou utilisé sans le consentement de EXM

STANDARD FEATURES ARE NOT LISTED IN THIS HOLE TABLE

HOLE TABLE - LEFT VIEW (CUSTOM FEATURE ONLY)

CUT-OUT	XDIM	YDIM	DESCRIPTION
1	4.625	0.875	STANDOFF M6 x 10mm (Inside)



	Description		Status
	1412EL 14" x 12.75" x 6" Body		(NULL)
	Part Number Numéro Pièce		Rev.
	1412EL131206B		0 / 4 / 9

This drawing is confidential and must not be reproduced or used without the consent of EXM

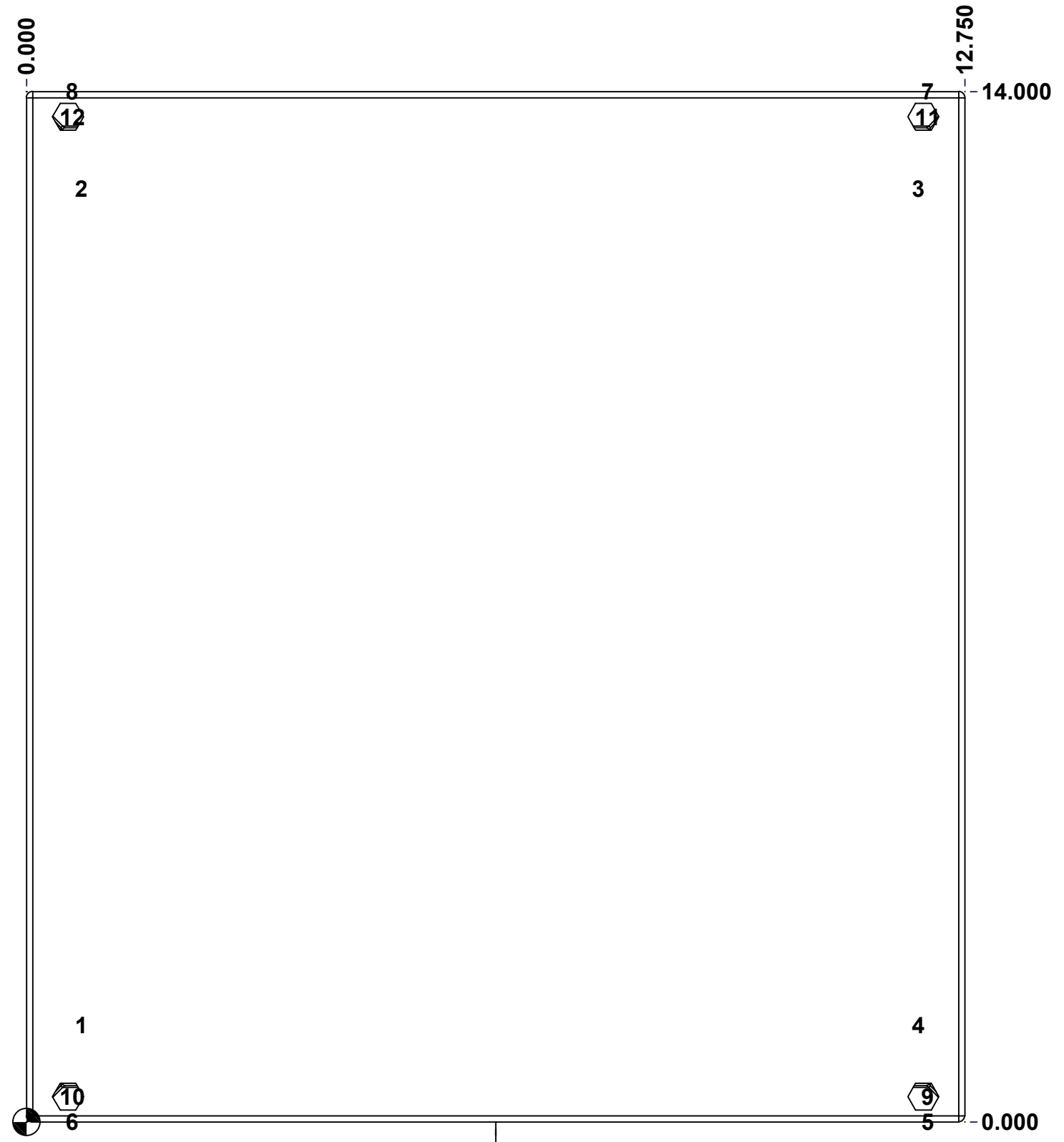
Ce dessin est confidentiel et ne doit pas être reproduit ou utilisé sans le consentement de EXM

STANDARD FEATURES ARE NOT LISTED IN THIS HOLE TABLE

HOLE TABLE - BACK VIEW (CUSTOM FEATURE ONLY)

CUT-OUT	XDIM	YDIM	DESCRIPTION
1	0.690	1.315	IP STANDOFF M6 x 10mm (Inside)
2	0.690	12.685	IP STANDOFF M6 x 10mm (Inside)
3	12.060	12.685	IP STANDOFF M6 x 10mm (Inside)
4	12.060	1.315	IP STANDOFF M6 x 10mm (Inside)

5	12.187	0.000	FOOT 885 ESCHMF1
6	0.563	0.000	FOOT 885 ESCHMF1
7	12.187	14.000	FOOT 885 ESCHMF1
8	0.563	14.000	FOOT 885 ESCHMF1
9	12.187	0.344	RIVET NUT M6_FH_CE (Inside)
10	0.563	0.344	RIVET NUT M6_FH_CE (Inside)
11	12.187	13.656	RIVET NUT M6_FH_CE (Inside)
12	0.563	13.656	RIVET NUT M6_FH_CE (Inside)



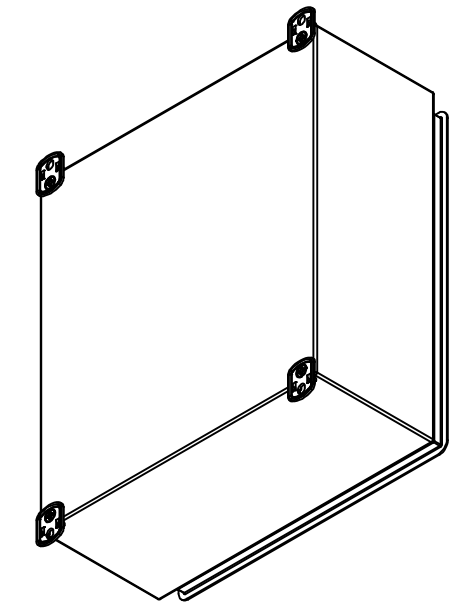
BACK

	Description	Status
	1412EL 14" x 12.75" x 6" Body	(NULL)
	Part Number	Rev.
	1412EL131206B	5
		9

This drawing is confidential and must not be reproduced or used without the consent of EXM


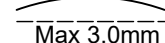
Ce dessin est confidentiel et ne doit pas être reproduit ou utilisé sans le consentement de EXM

No.	Revisions	Date	By/Par



Isometric View



 Tél: (450) 979-4373 Fax: (450) 979-4626 www.exmweb.com		Flatness Aplatissement  Max 3.0mm
Customer Client		Date
Drawn By / Dessiné Par: BoxCad: BoxCad		Date: 11-Jul-25
Material / Matière: 16 Ga Cold Rolled A1008 CS Type B (1.4mm)		
Color / Couleur: Asa-61 Grey		Finish / Fini: Smooth
Description: 1412EL 14" x 12.75" x 6" Body		Detail Rev.
Part Number / Numéro Pièce: 1412EL131206B		Rev. 0 / 6

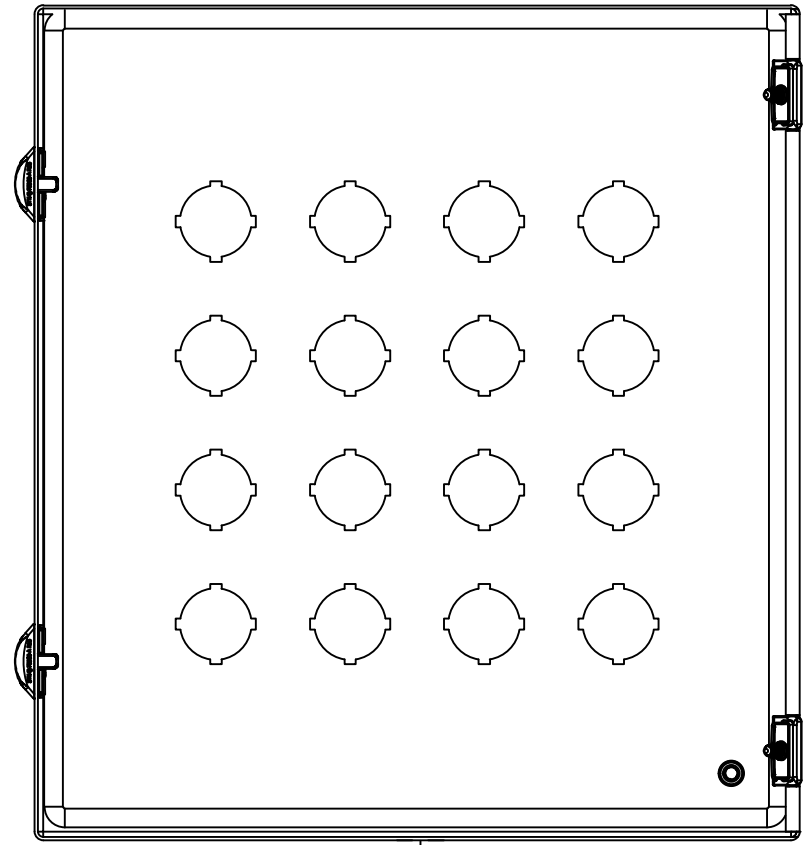
Qty	Part Number	Rev	Description
4	RIVET_NUT_M6_FH_CE	0	Rivet Nut M6 (Low Profile Close End)
4	STK-Q-03071	0	M6 x 16mm Machine Screw
1	STK-P-02400S	0	Powder Paint (Asa-61 Grey / Smooth)
1	1412EL131206B-P	0	1412EL 14" x 12.75" x 6" Body Part
4	885 ESCHMF1	2	5412 ESCH Stamped Mounting Foot
5	STK-Q-08350	5	Standoff M6 x 10mm
Parts List			

This drawing is confidential and must not be reproduced or used without the consent of EXM

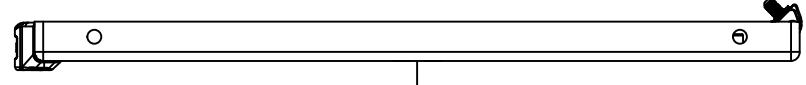
Ce dessin est confidentiel et ne doit pas être reproduit ou utilisé sans le consentement de EXM



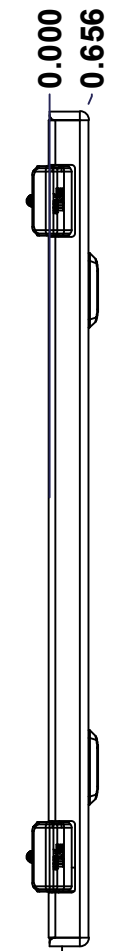
TOP



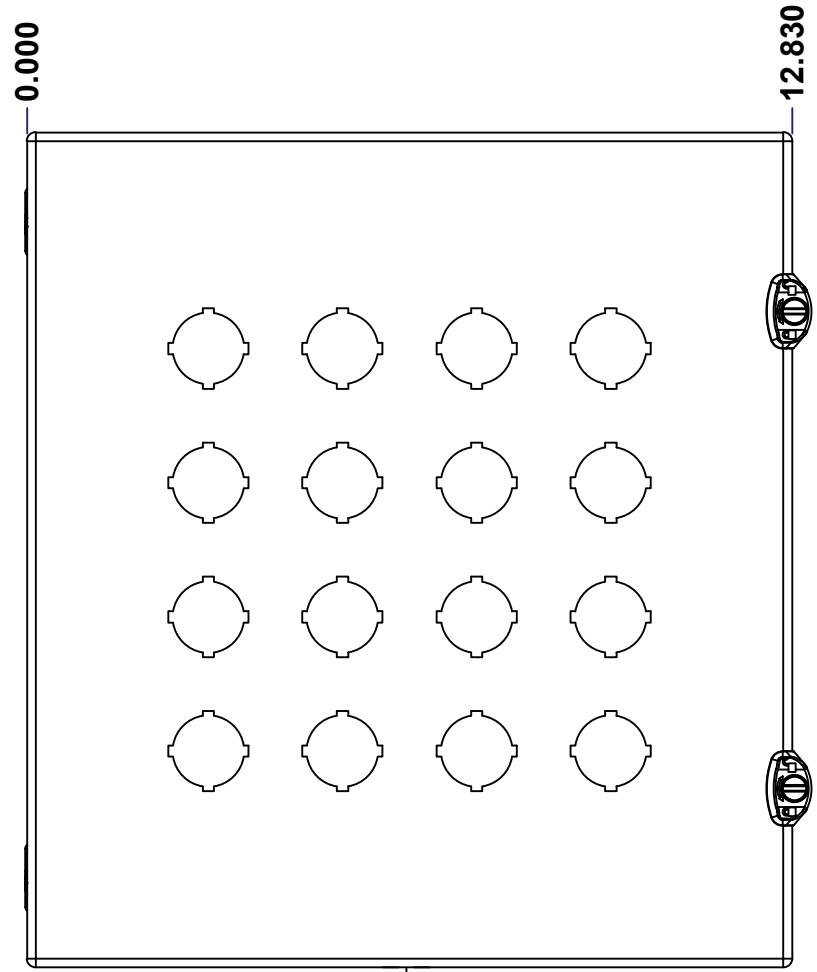
BACK



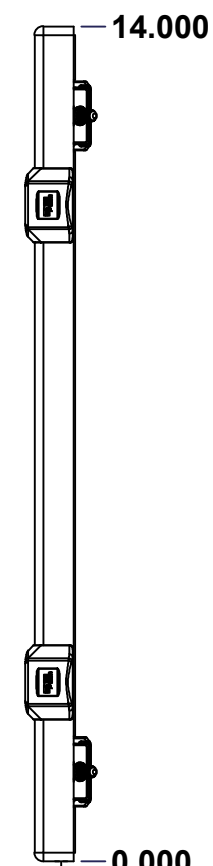
BOTTOM



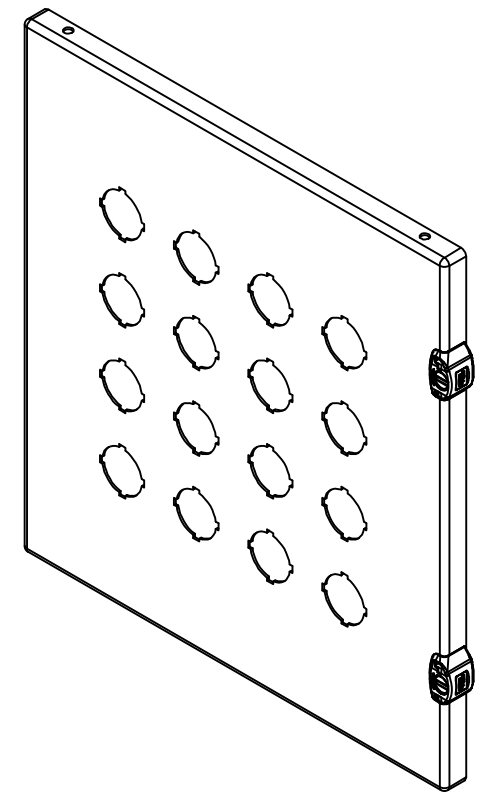
LEFT



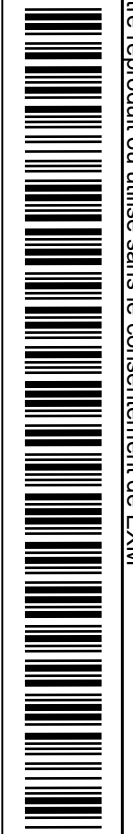
FRONT




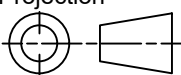
RIGHT



Isometric View



No.	Revisions	Date	By/Par

 Tél: (450) 979-4373 Fax: (450) 979-4626 www.exmweb.com		Flatness Aplatissement Max 3.0mm Projection 
Customer Client	Date	
Drawn By Dessiné Par	BoxCad: BoxCad	Date 11-Jul-25
Material Matière	16 Ga Cold Rolled A1008 CS Type B (1.4mm)	
Color Couleur	Asa-61 Grey	Finish Fini Smooth
Description 1412EL 14" x 12.75" Cover		Detail Rev.
Part Number Numéro Pièce	1412EL131206C	Rev. 7 0

SEE BILL OF MATERIAL ON LAST PAGE

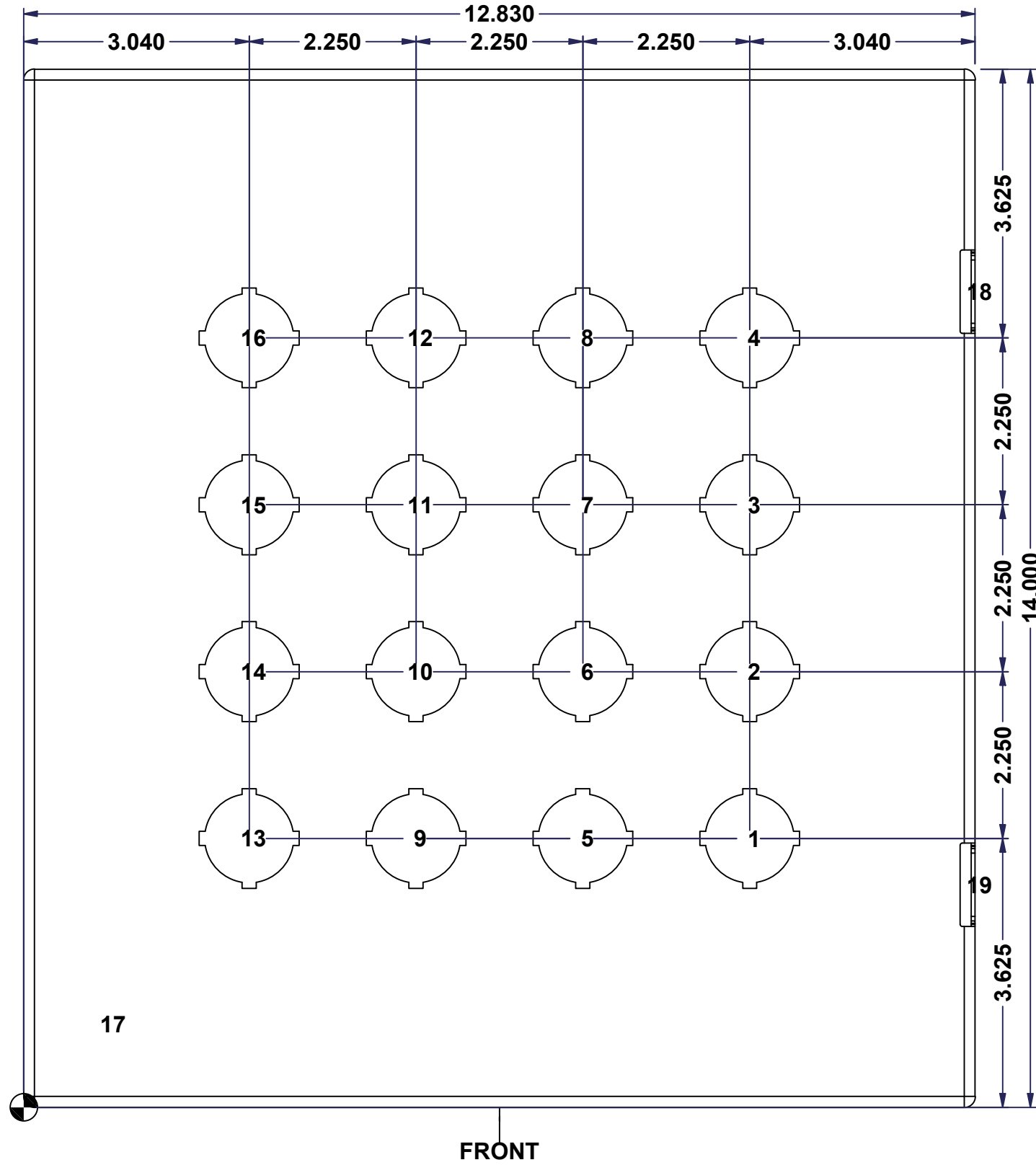
This drawing is confidential and must not be reproduced or used without the consent of EXM

Ce dessin est confidentiel et ne doit pas être reproduit ou utilisé sans le consentement de EXM

STANDARD FEATURES ARE NOT LISTED IN THIS HOLE TABLE

HOLE TABLE - FRONT VIEW (CUSTOM FEATURE ONLY)

CUT-OUT	XDIM	YDIM	DESCRIPTION
1	9.790	3.625	30.5 mm Standard Pushbutton
2	9.790	5.875	30.5 mm Standard Pushbutton
3	9.790	8.125	30.5 mm Standard Pushbutton
4	9.790	10.375	30.5 mm Standard Pushbutton
5	7.540	3.625	30.5 mm Standard Pushbutton
6	7.540	5.875	30.5 mm Standard Pushbutton
7	7.540	8.125	30.5 mm Standard Pushbutton
8	7.540	10.375	30.5 mm Standard Pushbutton
9	5.290	3.625	30.5 mm Standard Pushbutton
10	5.290	5.875	30.5 mm Standard Pushbutton
11	5.290	8.125	30.5 mm Standard Pushbutton
12	5.290	10.375	30.5 mm Standard Pushbutton
13	3.040	3.625	30.5 mm Standard Pushbutton
14	3.040	5.875	30.5 mm Standard Pushbutton
15	3.040	8.125	30.5 mm Standard Pushbutton
16	3.040	10.375	30.5 mm Standard Pushbutton
17	1.145	1.125	STANDOFF M6 x 10mm (Inside)
18	12.830	11.000	LOCK 880 SCQ2MS @ 0.0°
19	12.830	3.000	LOCK 880 SCQ2MS @ 0.0°

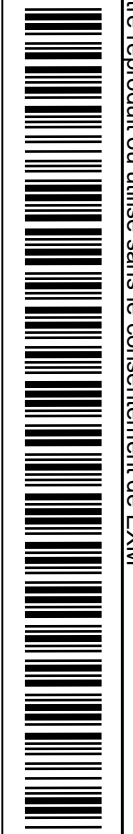
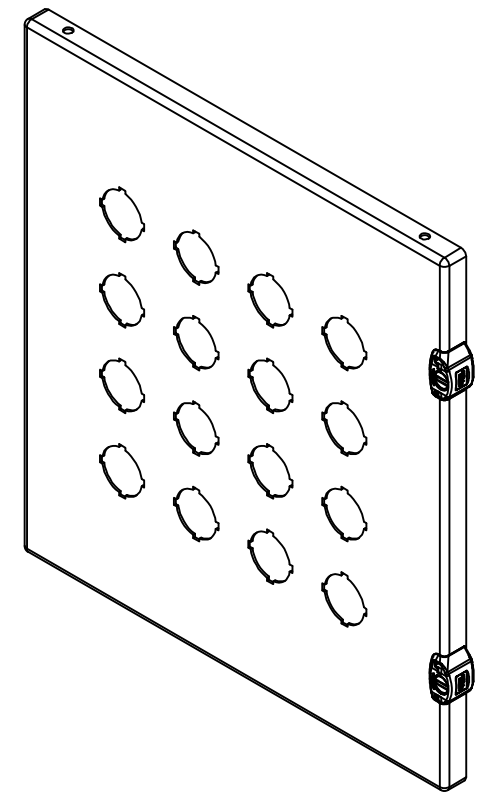


	Description	Status	
	1412EL 14" x 12.75" Cover	(NULL)	
	Part Number	Rev.	8
	Numéro Pièce	0	9
		1412EL131206C	

This drawing is confidential and must not be reproduced or used without the consent of EXM

Ce dessin est confidentiel et ne doit pas être reproduit ou utilisé sans le consentement de EXM

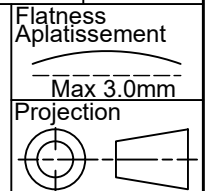
No.	Revisions	Date	By/Par



Isometric View



Tél: (450) 979-4373
 Fax: (450) 979-4626
www.exmweb.com



Customer Client	Date
Drawn By / Dessiné Par: BoxCad: BoxCad	Date: 11-Jul-25
Material / Matière: 16 Ga Cold Rolled A1008 CS Type B (1.4mm)	

Color / Couleur: Asa-61 Grey	Finish / Fini: Smooth
------------------------------	-----------------------

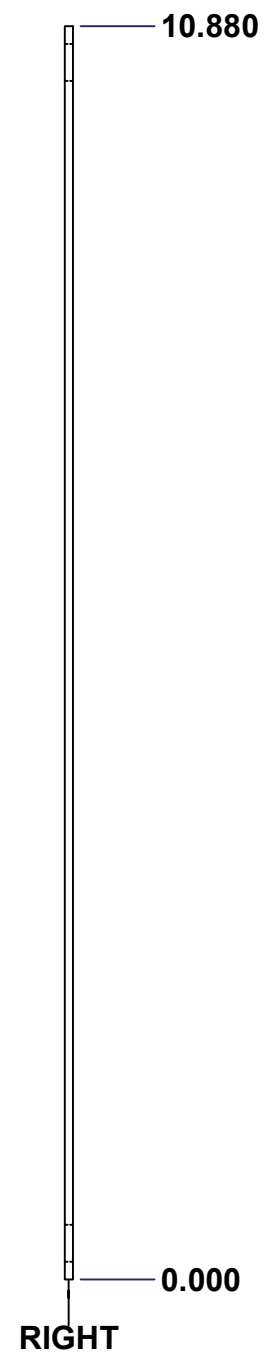
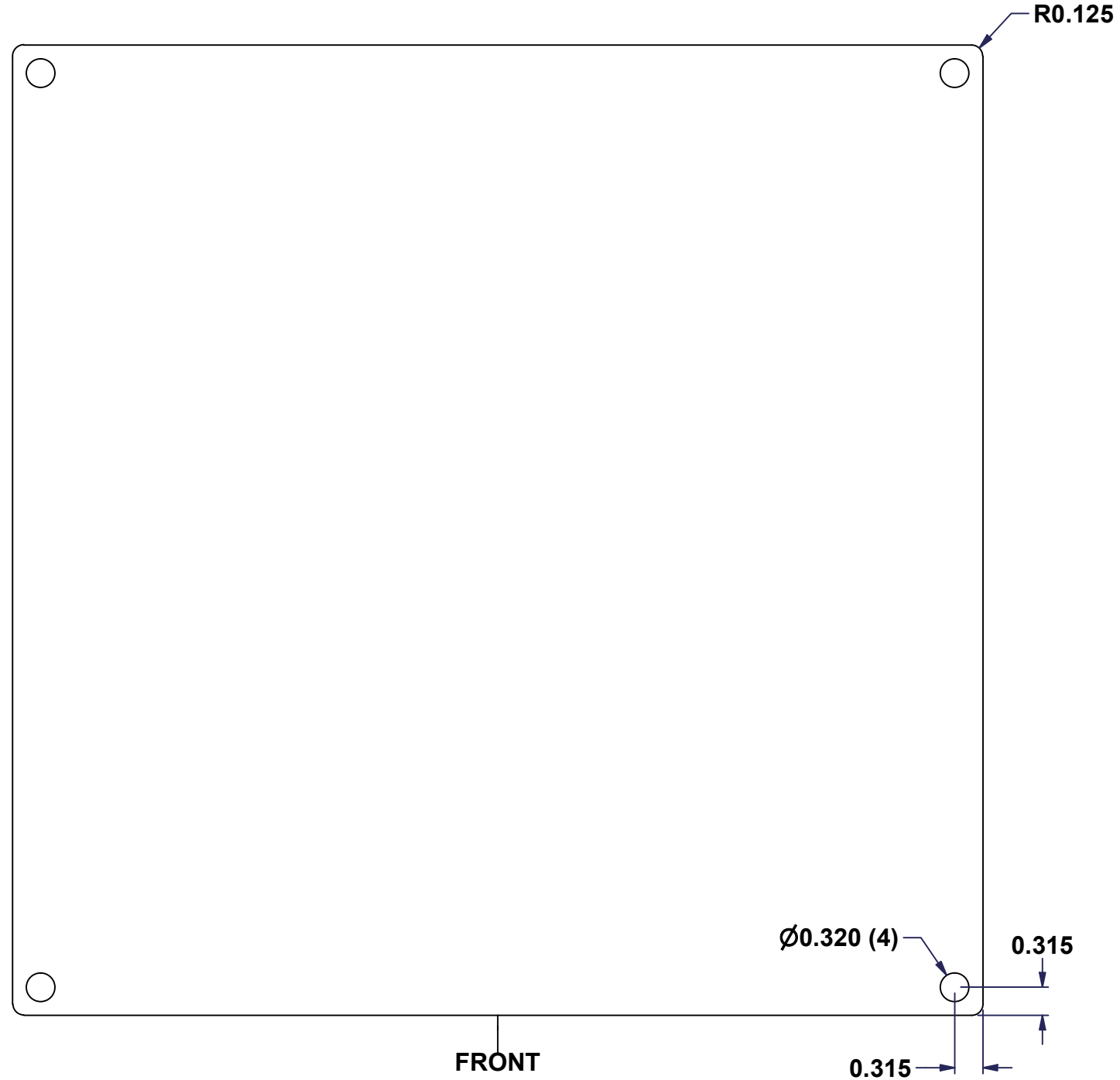
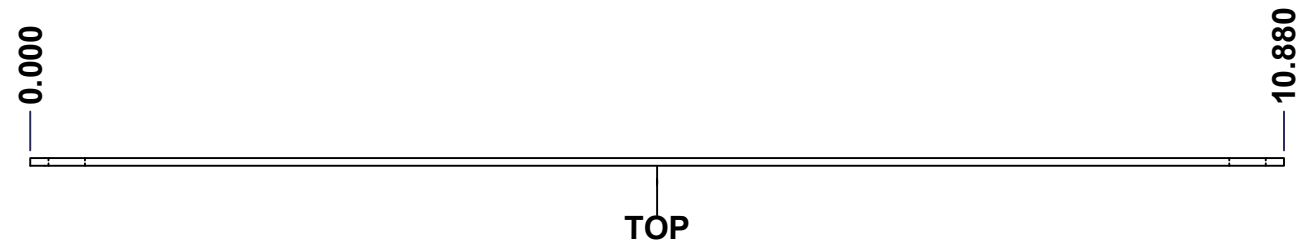
Description: 1412EL 14" x 12.75" Cover	Detail Rev.
--	-------------

Part Number / Numéro Pièce: 1412EL131206C	Rev. 0	9
--	--------	---

Qty	Part Number	Rev	Description
1	1412EL131206G	0	1412EL 14" x 12.75" Gasket
1	STK-Q-08350	5	Standoff M6 x 10mm
1	STK-P-02400S	0	Powder Paint (Asa-61 Grey / Smooth)
1	1412EL131206C-P	0	1412EL 14" x 12.75" Cover Part
2	STK-A-33033	4	5412 ESMCH Hinge
2	STK-A-79960	14	5412 ESMCH - External Lock Assy - Slot Lock
Parts List			

This drawing is confidential and must not be reproduced or used without the consent of EXM

Ce dessin est confidentiel et ne doit pas être reproduit ou utilisé sans le consentement de EXM



No.	Revisions	Date	By/Par

Isometric View

EXM
www.exmweb.com

Tél: (450) 979-4373
Fax: (450) 979-4626

Flatness
Aplatissement
Max 3.0mm

Projection

Customer Client	Date
Drawn By Dessiné Par BoxCad	Date 23-Jan-07
Material Matière 14 Ga Galvanized (1.7mm)	
Color Couleur Unpainted	Finish Fini Galvanized

Description 880 SP1212G - Inner Panel	Detail Rev.
--	-------------

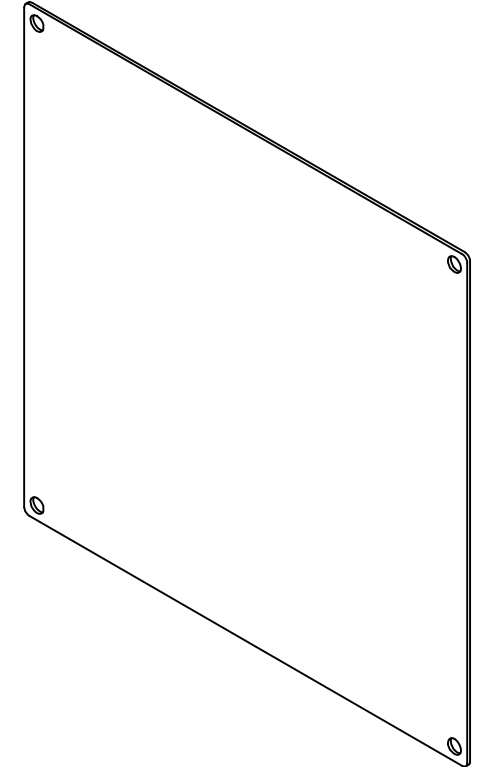
Part Number Numéro Pièce 880 SP1212G	Rev. 0	1 2
--	---------------	--------

SEE BILL OF MATERIAL ON LAST PAGE

This drawing is confidential and must not be reproduced or used without the consent of EXM

Ce dessin est confidentiel et ne doit pas être reproduit ou utilisé sans le consentement de EXM

No.	Revisions	Date	By/Par



Isometric View



Tél: (450) 979-4373
 Fax: (450) 979-4626
 www.exmweb.com

Flatness
Aplatissement
Max 3.0mm
Projection

Customer Client	Date
Drawn By / Dessiné Par: BoxCad	Date: 23-Jan-07
Material / Matière: 14 Ga Galvanized (1.7mm)	
Color / Couleur: Unpainted	Finish / Fini: Galvanized
Description: 880 SP1212G - Inner Panel	Detail Rev.
Part Number / Numéro Pièce: 880 SP1212G	Rev. 0

Qty	Part Number	Rev	Description
1	880 SP1212G-P	0	880 SP1212G - Inner Panel Part
Parts List			