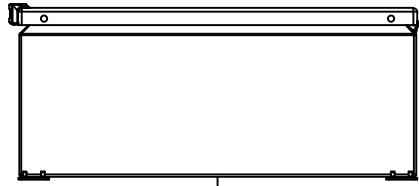
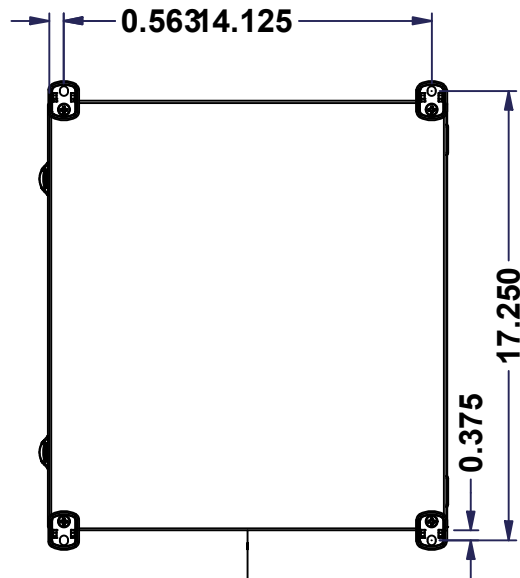


This drawing is confidential and must not be reproduced or used without the consent of EXM

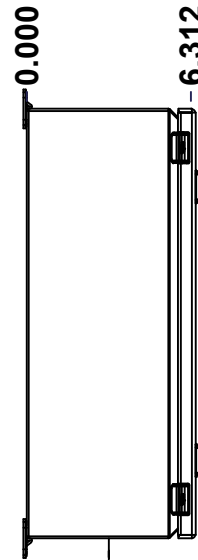
Ce dessin est confidentiel et ne doit pas être reproduit ou utilisé sans le consentement de EXM



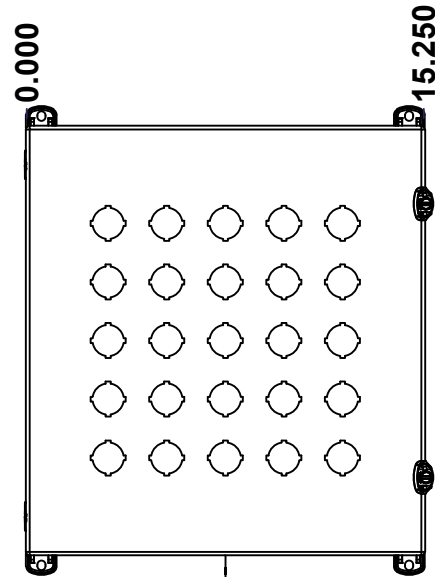
TOP



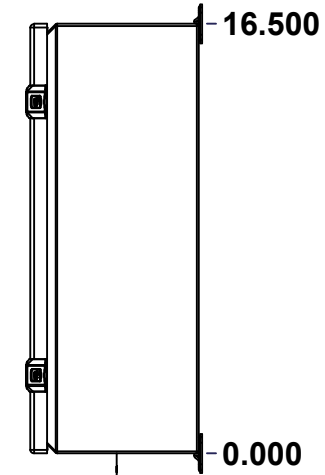
BACK



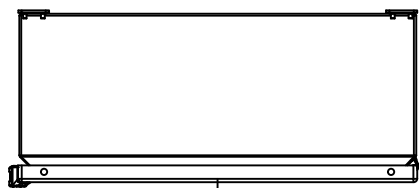
LEFT



FRONT

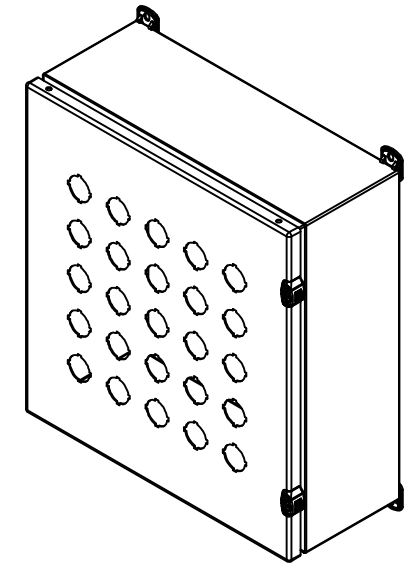


RIGHT



BOTTOM

No.	Revisions	Date	By/Par



Isometric View

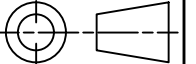


Tél: (450) 979-4373
 Fax: (450) 979-4626
www.exmweb.com

Flatness
Aplatissement

Max 3.0mm

Projection



Customer Client	Date
Drawn By Dessiné Par BoxCad: BoxCad	Date 11-Jul-25
Material Matière 16 Ga Cold Rolled A1008 CS Type B (1.4mm)	

Color Couleur Asa-61 Grey	Finish Fini Smooth
------------------------------	-----------------------

Description 1412EL 16.5" x 15.25" x 6" Assembly	Detail Rev.
--	-------------

Part Number Numéro Pièce 1412EL161506	Rev. 0	1 9
--	--------	--------

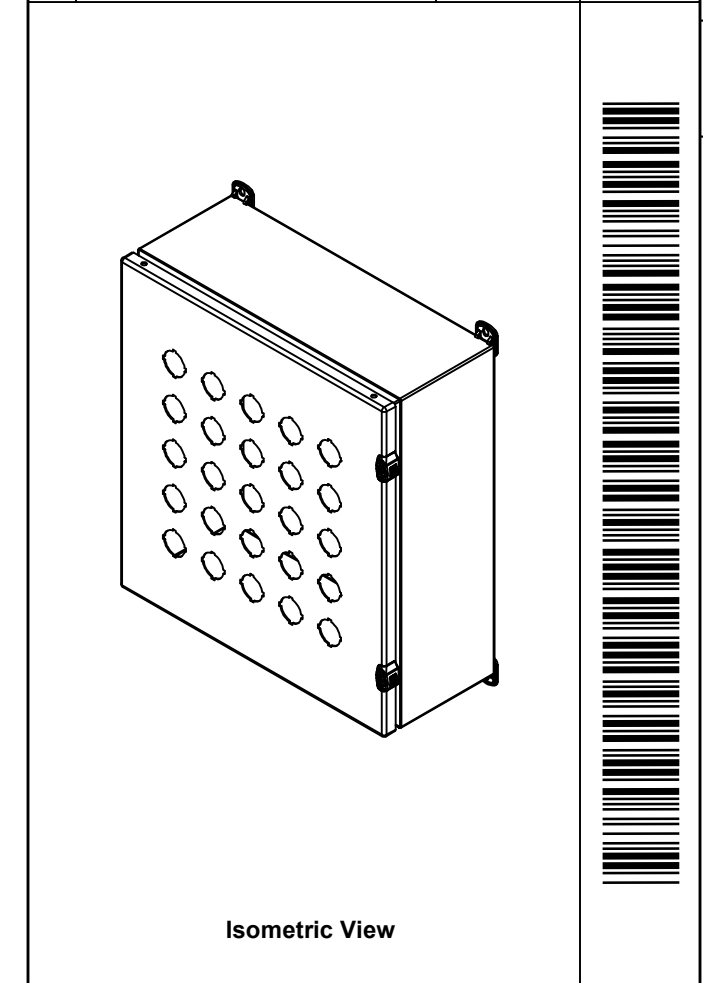
SEE BILL OF MATERIAL ON LAST PAGE


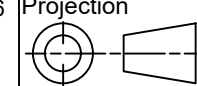
This drawing is confidential and must not be reproduced or used without the consent of EXM

Ce dessin est confidentiel et ne doit pas être reproduit ou utilisé sans le consentement de EXM

NOTE	
ITEM	DESCRIPTION
1	NEMA 4, 12 Enclosure (IP66)
2	C/W Standard ground standoffs on box and cover
3	W/O Standard door stiffener
4	C/W Standard inner panel (Included)
5	C/W Standard inner panel mounting standoffs
6	C/W 885 ESCHMF1 Mounting Feet (Installed)

No.	Revisions	Date	By/Par



 Tél: (450) 979-4373 Fax: (450) 979-4626 www.exmweb.com	Flatness Aplatissement Max 3.0mm
	Projection 
Customer Client	Date
Drawn By Dessiné Par BoxCad: BoxCad	Date 11-Jul-25
Material Matière 16 Ga Cold Rolled A1008 CS Type B (1.4mm)	
Color Couleur Asa-61 Grey	Finish Fini Smooth
Description 1412EL 16.5" x 15.25" x 6" Assembly	
Part Number Numéro Pièce 1412EL161506	Rev. 2 0 / 9

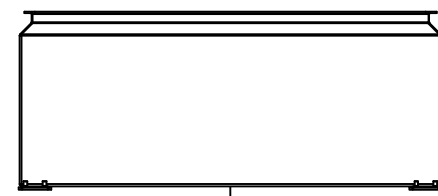
PACKING		
ITEM	QTY	DESCRIPTION
Cardboard sleeve	2	Top and Bottom
Cardboard strip	2	Between back of enclosure and inner panel
Plastic bag	1	To protect cover surface and inside gasket
Plastic strap - Black	2	To Squeeze the 2 cardboard sleeve together
Packaging label	1	White label with product number

Qty	Part Number	Rev	Description
1	1412EL161506C	0	1412EL 16.5" x 15.25" Cover
1	880 SP1614G	0	880 SP1614G - Inner Panel
1	STK-K-02910	3	5412 ESCH Accessory Kit
1	1412EL161506B	0	1412EL 16.5" x 15.25" x 6" Body
Parts List			

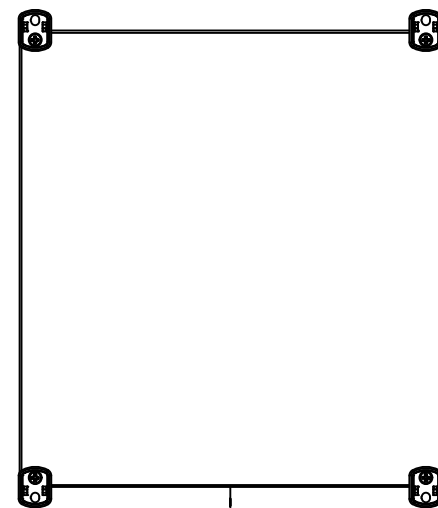
This drawing is confidential and must not be reproduced or used without the consent of EXM

Ce dessin est confidentiel et ne doit pas être reproduit ou utilisé sans le consentement de EXM

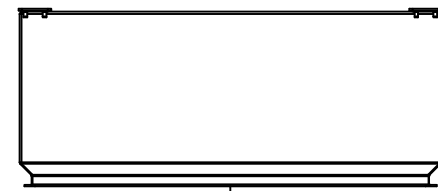
No.	Revisions	Date	By/Par



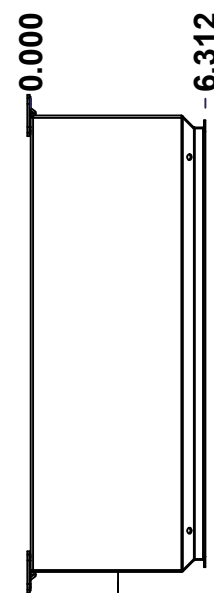
TOP



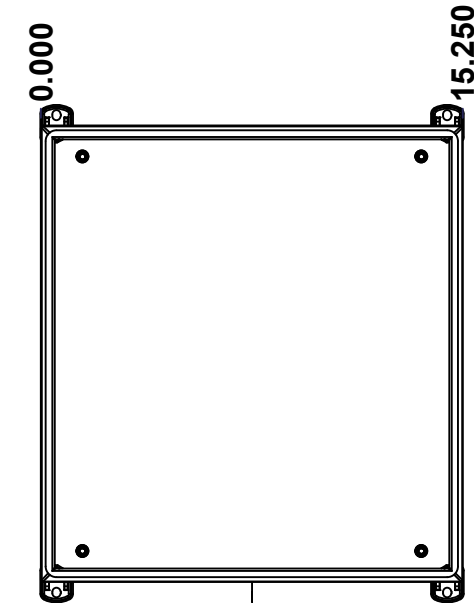
BACK



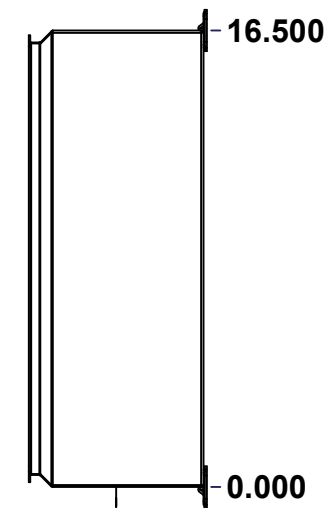
BOTTOM



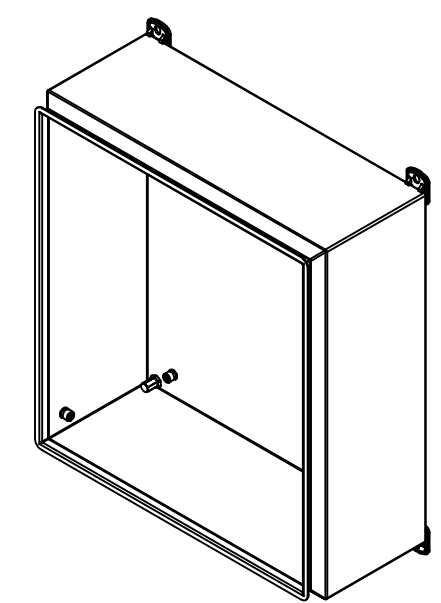
LEFT



FRONT


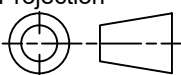


RIGHT



Isometric View



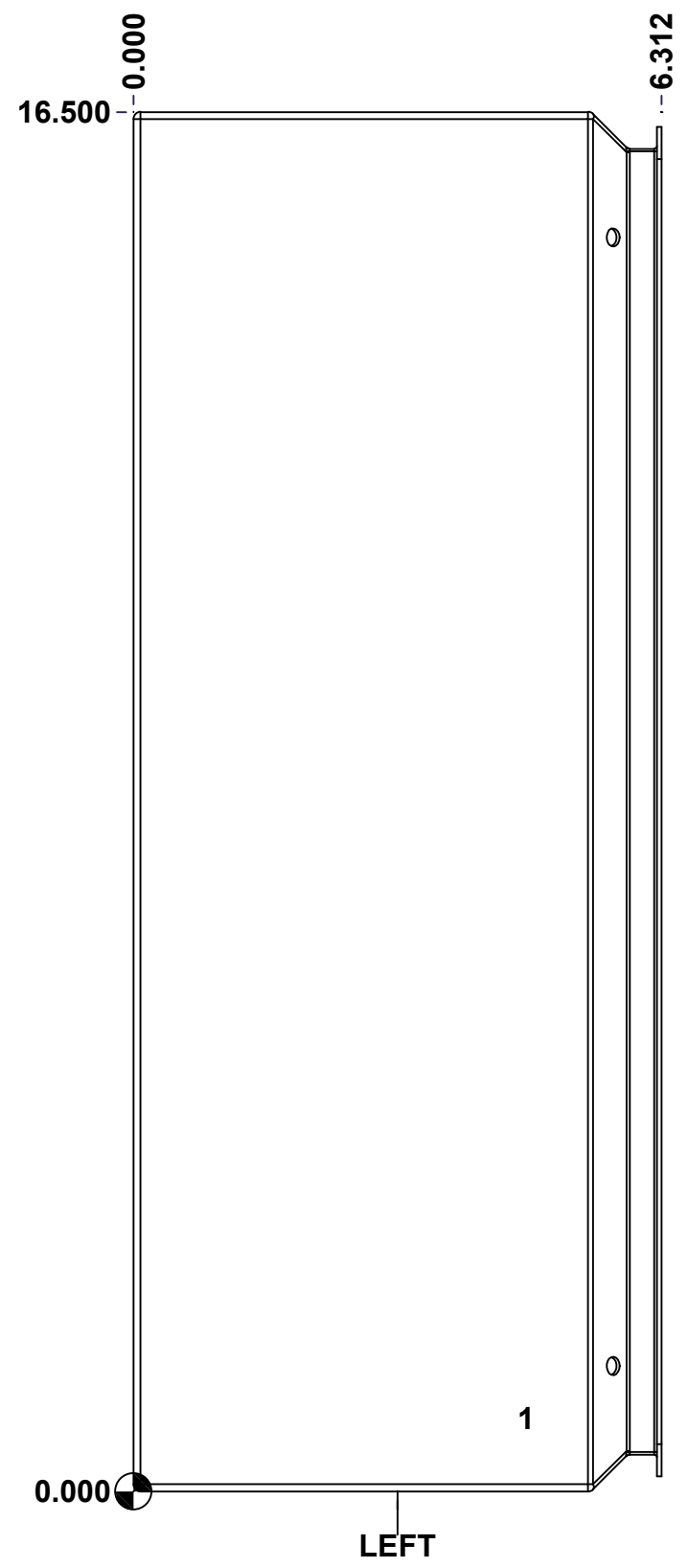
 Tél: (450) 979-4373 Fax: (450) 979-4626 www.exmweb.com		Flatness Aplatissement Max 3.0mm Projection 
Customer Client	Date	
Drawn By Dessiné Par	BoxCad: BoxCad	Date 11-Jul-25
Material Matière	16 Ga Cold Rolled A1008 CS Type B (1.4mm)	
Color Couleur	Asa-61 Grey	Finish Fini Smooth
Description	Detail Rev.	
1412EL 16.5" x 15.25" x 6" Body		
Part Number Numéro Pièce	Rev.	3
1412EL161506B	0	9

SEE BILL OF MATERIAL ON LAST PAGE

This drawing is confidential and must not be reproduced or used without the consent of EXM

Ce dessin est confidentiel et ne doit pas être reproduit ou utilisé sans le consentement de EXM

STANDARD FEATURES ARE NOT LISTED IN THIS HOLE TABLE			
HOLE TABLE - LEFT VIEW (CUSTOM FEATURE ONLY)			
CUT-OUT	XDIM	YDIM	DESCRIPTION
1	4.625	0.875	STANDOFF M6 x 10mm (Inside)



	Description		Status
	1412EL 16.5" x 15.25" x 6" Body		(NULL)
	Part Number Numéro Pièce		Rev.
	1412EL161506B		0 / 4 / 9

This drawing is confidential and must not be reproduced or used without the consent of EXM

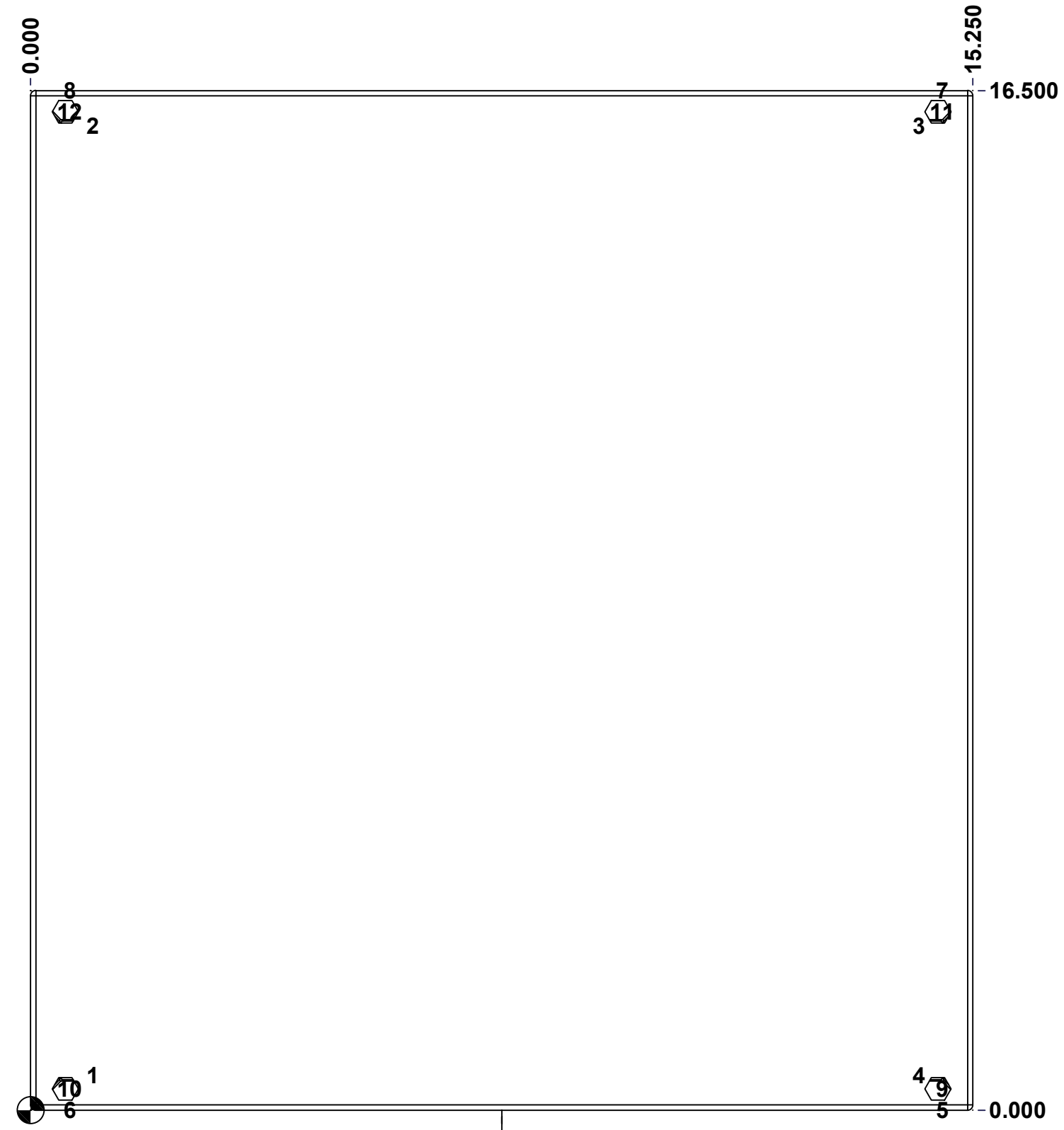
Ce dessin est confidentiel et ne doit pas être reproduit ou utilisé sans le consentement de EXM

STANDARD FEATURES ARE NOT LISTED IN THIS HOLE TABLE

HOLE TABLE - BACK VIEW (CUSTOM FEATURE ONLY)

CUT-OUT	XDIM	YDIM	DESCRIPTION
1	0.940	0.565	IP STANDOFF M6 x 10mm (Inside)
2	0.940	15.935	IP STANDOFF M6 x 10mm (Inside)
3	14.310	15.935	IP STANDOFF M6 x 10mm (Inside)
4	14.310	0.565	IP STANDOFF M6 x 10mm (Inside)

5	14.687	0.000	FOOT 885 ESCHMF1
6	0.563	0.000	FOOT 885 ESCHMF1
7	14.687	16.500	FOOT 885 ESCHMF1
8	0.563	16.500	FOOT 885 ESCHMF1
9	14.687	0.344	RIVET NUT M6_FH_CE (Inside)
10	0.563	0.344	RIVET NUT M6_FH_CE (Inside)
11	14.687	16.156	RIVET NUT M6_FH_CE (Inside)
12	0.563	16.156	RIVET NUT M6_FH_CE (Inside)



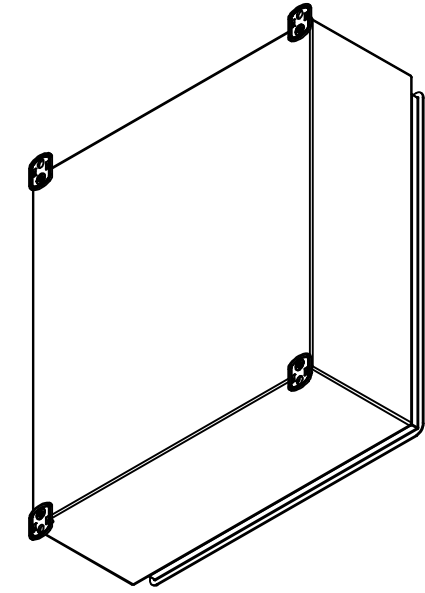
BACK

	Description	Status	
	1412EL 16.5" x 15.25" x 6" Body	(NULL)	
	Part Number Numéro Pièce	Rev.	
	1412EL161506B	0	5 9

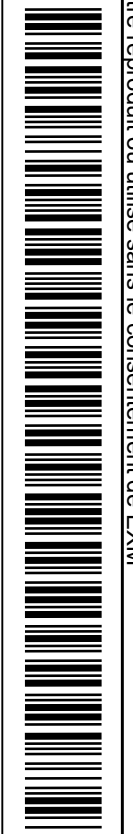
This drawing is confidential and must not be reproduced or used without the consent of EXM


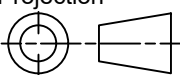
Ce dessin est confidentiel et ne doit pas être reproduit ou utilisé sans le consentement de EXM

No.	Revisions	Date	By/Par



Isometric View

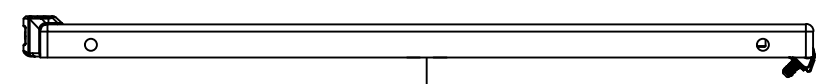


 Tél: (450) 979-4373 Fax: (450) 979-4626 www.exmweb.com	Flatness Aplatissement
	Max 3.0mm
Projection	
Customer Client	Date
Drawn By Dessiné Par BoxCad: BoxCad	Date 11-Jul-25
Material Matière 16 Ga Cold Rolled A1008 CS Type B (1.4mm)	
Color Couleur Asa-61 Grey	Finish Fini Smooth
Description 1412EL 16.5" x 15.25" x 6" Body	Detail Rev.
Part Number Numéro Pièce 1412EL161506B	Rev. 0

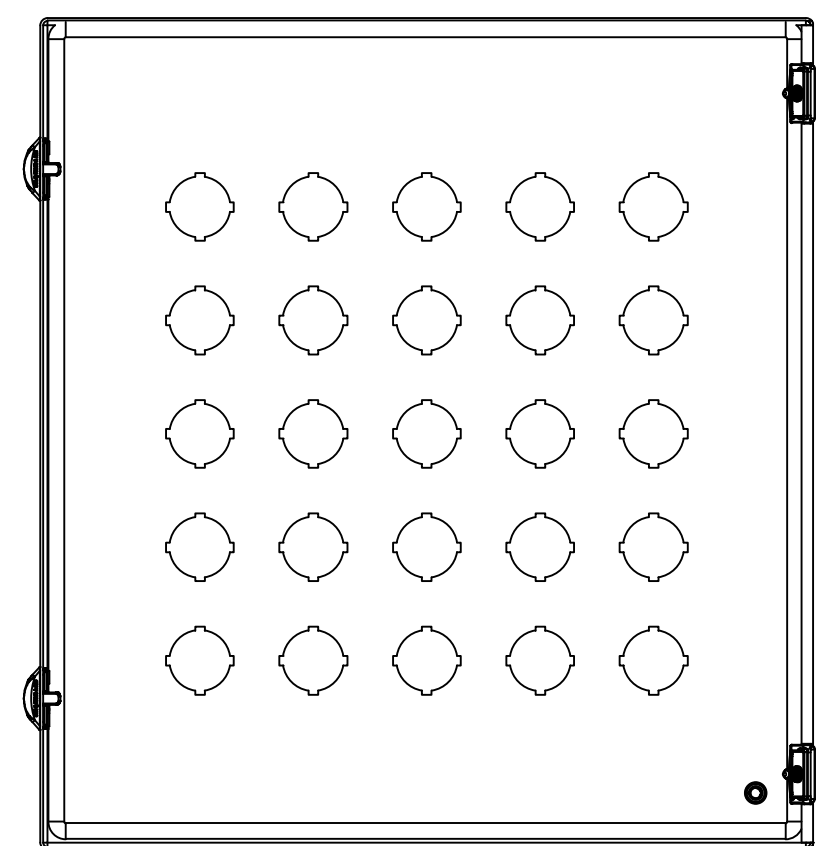
Qty	Part Number	Rev	Description
4	RIVET_NUT_M6_FH_CE	0	Rivet Nut M6 (Low Profile Close End)
4	STK-Q-03071	0	M6 x 16mm Machine Screw
1	STK-P-02400S	0	Powder Paint (Asa-61 Grey / Smooth)
1	1412EL161506B-P	0	1412EL 16.5" x 15.25" x 6" Body Part
4	885 ESCHMF1	2	5412 ESCH Stamped Mounting Foot
5	STK-Q-08350	5	Standoff M6 x 10mm
Parts List			

This drawing is confidential and must not be reproduced or used without the consent of EXM

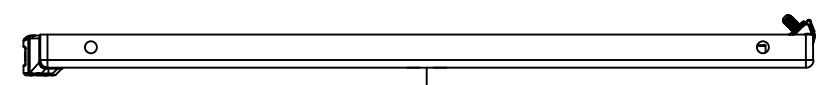
Ce dessin est confidentiel et ne doit pas être reproduit ou utilisé sans le consentement de EXM



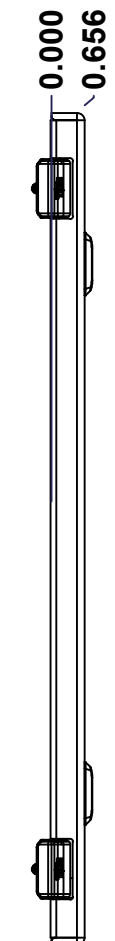
TOP



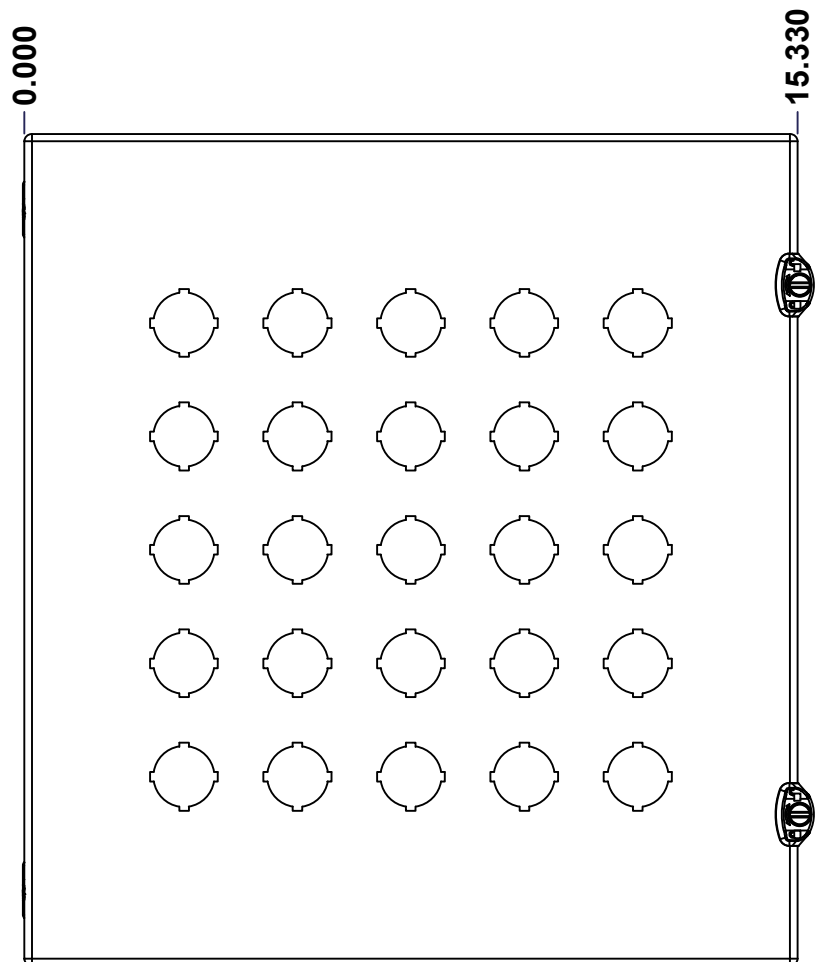
BACK



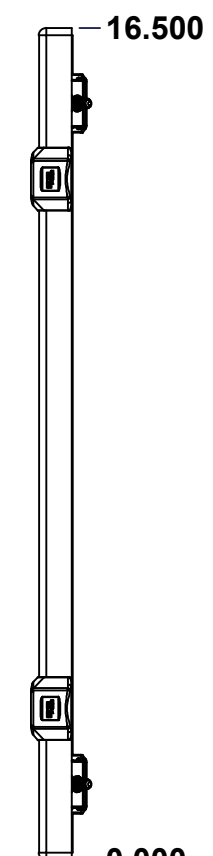
BOTTOM



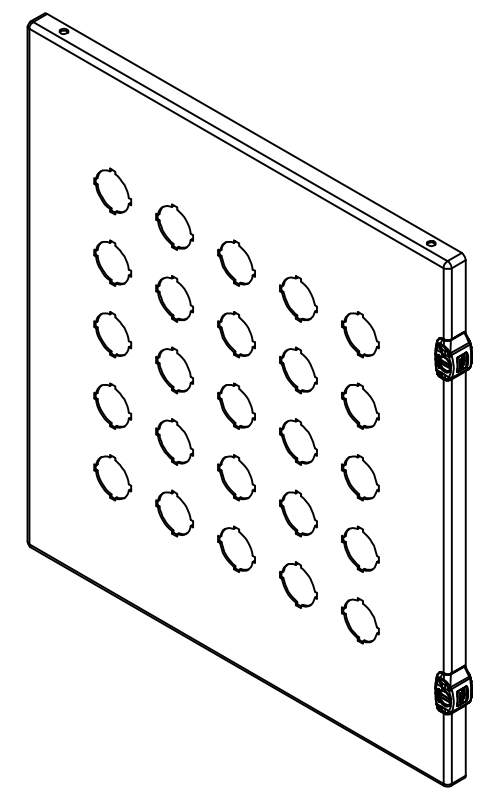
LEFT



FRONT




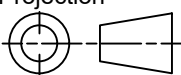
RIGHT



Isometric View



No.	Revisions	Date	By/Par

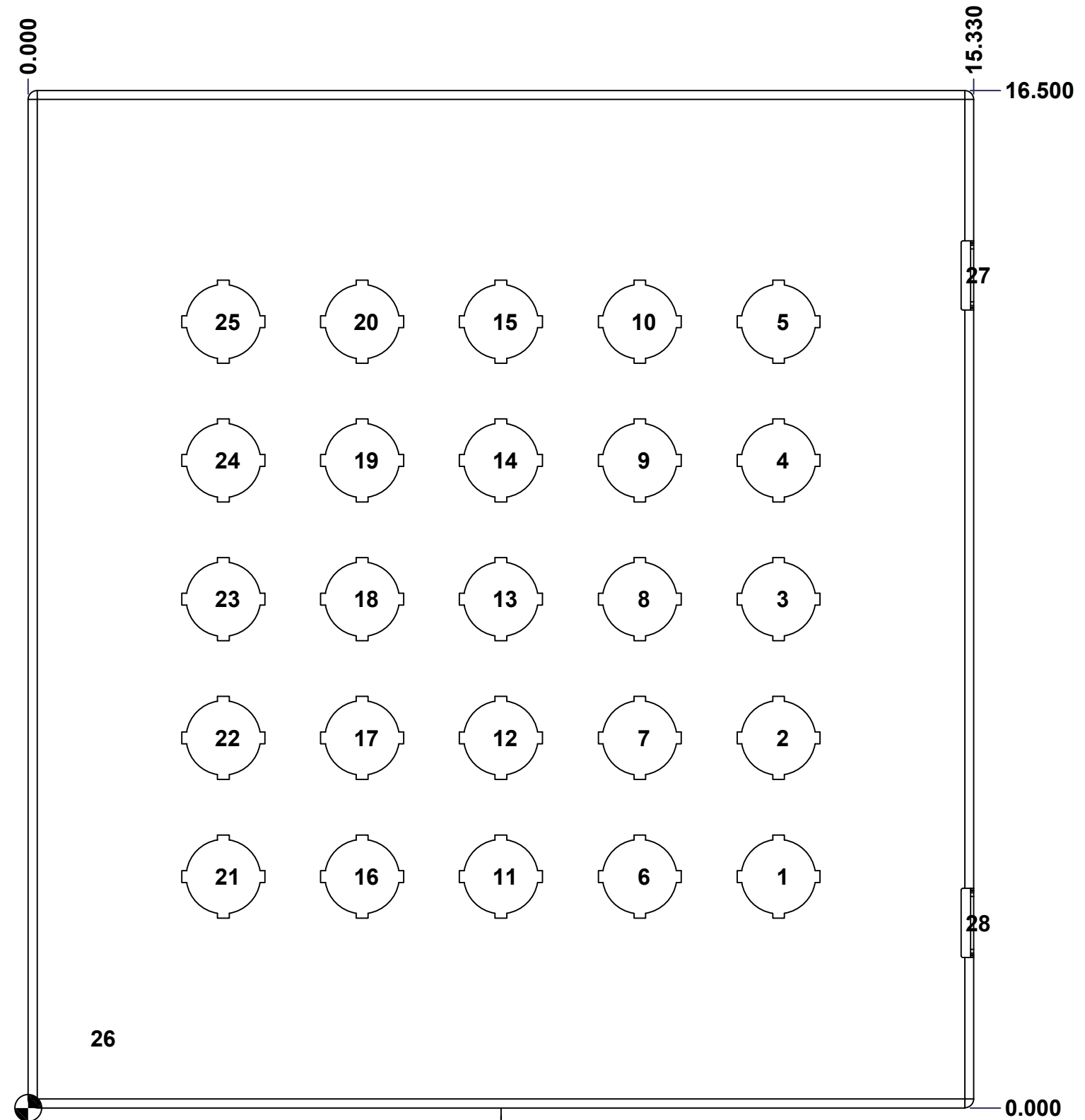
 Tél: (450) 979-4373 Fax: (450) 979-4626 www.exmweb.com		Flatness Aplatissement Max 3.0mm Projection 
Customer Client		Date
Drawn By Dessiné Par	BoxCad: BoxCad	Date 11-Jul-25
Material Matière	16 Ga Cold Rolled A1008 CS Type B (1.4mm)	
Color Couleur	Asa-61 Grey	Finish Fini Smooth
Description	1412EL 16.5" x 15.25" Cover	
Part Number Numéro Pièce	1412EL161506C	Detail Rev. Rev. 7 0 9

SEE BILL OF MATERIAL ON LAST PAGE

This drawing is confidential and must not be reproduced or used without the consent of EXM

Ce dessin est confidentiel et ne doit pas être reproduit ou utilisé sans le consentement de EXM

STANDARD FEATURES ARE NOT LISTED IN THIS HOLE TABLE			
HOLE TABLE - FRONT VIEW (CUSTOM FEATURE ONLY)			
CUT-OUT	XDIM	YDIM	DESCRIPTION
1	12.165	3.750	30.5 mm Standard Pushbutton
2	12.165	6.000	30.5 mm Standard Pushbutton
3	12.165	8.250	30.5 mm Standard Pushbutton
4	12.165	10.500	30.5 mm Standard Pushbutton
5	12.165	12.750	30.5 mm Standard Pushbutton
6	9.915	3.750	30.5 mm Standard Pushbutton
7	9.915	6.000	30.5 mm Standard Pushbutton
8	9.915	8.250	30.5 mm Standard Pushbutton
9	9.915	10.500	30.5 mm Standard Pushbutton
10	9.915	12.750	30.5 mm Standard Pushbutton
11	7.665	3.750	30.5 mm Standard Pushbutton
12	7.665	6.000	30.5 mm Standard Pushbutton
13	7.665	8.250	30.5 mm Standard Pushbutton
14	7.665	10.500	30.5 mm Standard Pushbutton
15	7.665	12.750	30.5 mm Standard Pushbutton
16	5.415	3.750	30.5 mm Standard Pushbutton
17	5.415	6.000	30.5 mm Standard Pushbutton
18	5.415	8.250	30.5 mm Standard Pushbutton
19	5.415	10.500	30.5 mm Standard Pushbutton
20	5.415	12.750	30.5 mm Standard Pushbutton
21	3.165	3.750	30.5 mm Standard Pushbutton
22	3.165	6.000	30.5 mm Standard Pushbutton
23	3.165	8.250	30.5 mm Standard Pushbutton
24	3.165	10.500	30.5 mm Standard Pushbutton
25	3.165	12.750	30.5 mm Standard Pushbutton
26	1.145	1.125	STANDOFF M6 x 10mm (Inside)
27	15.330	13.500	LOCK 880 SCQ2MS @ 0.0°
28	15.330	3.000	LOCK 880 SCQ2MS @ 0.0°



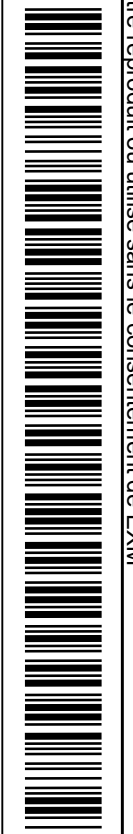
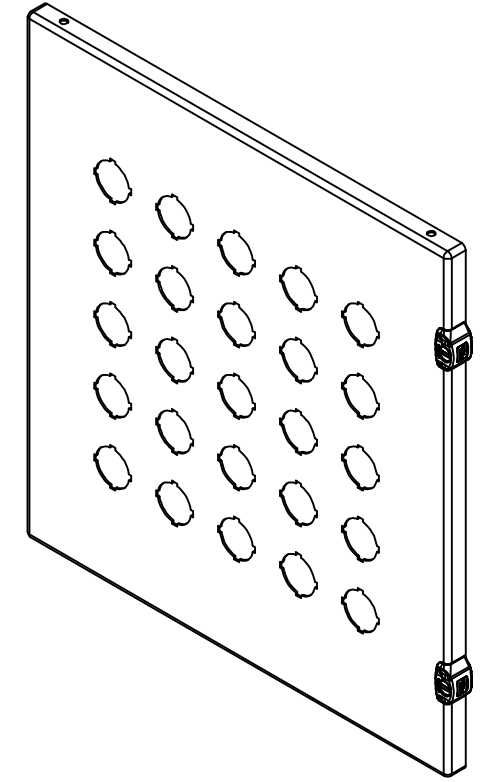
FRONT

	Description	Status
	1412EL 16.5" x 15.25" Cover	(NULL)
	Part Number Numéro Pièce	Rev.
	1412EL161506C	0 / 8
		9

This drawing is confidential and must not be reproduced or used without the consent of EXM

Ce dessin est confidentiel et ne doit pas être reproduit ou utilisé sans le consentement de EXM

No.	Revisions	Date	By/Par



Isometric View



Tél: (450) 979-4373
 Fax: (450) 979-4626
www.exmweb.com

Flatness
Aplatissement
Max 3.0mm
Projection

Customer Client	Date
Drawn By / Dessiné Par: BoxCad: BoxCad	Date: 11-Jul-25
Material / Matière: 16 Ga Cold Rolled A1008 CS Type B (1.4mm)	

Color / Couleur: Asa-61 Grey	Finish / Fini: Smooth
------------------------------	-----------------------

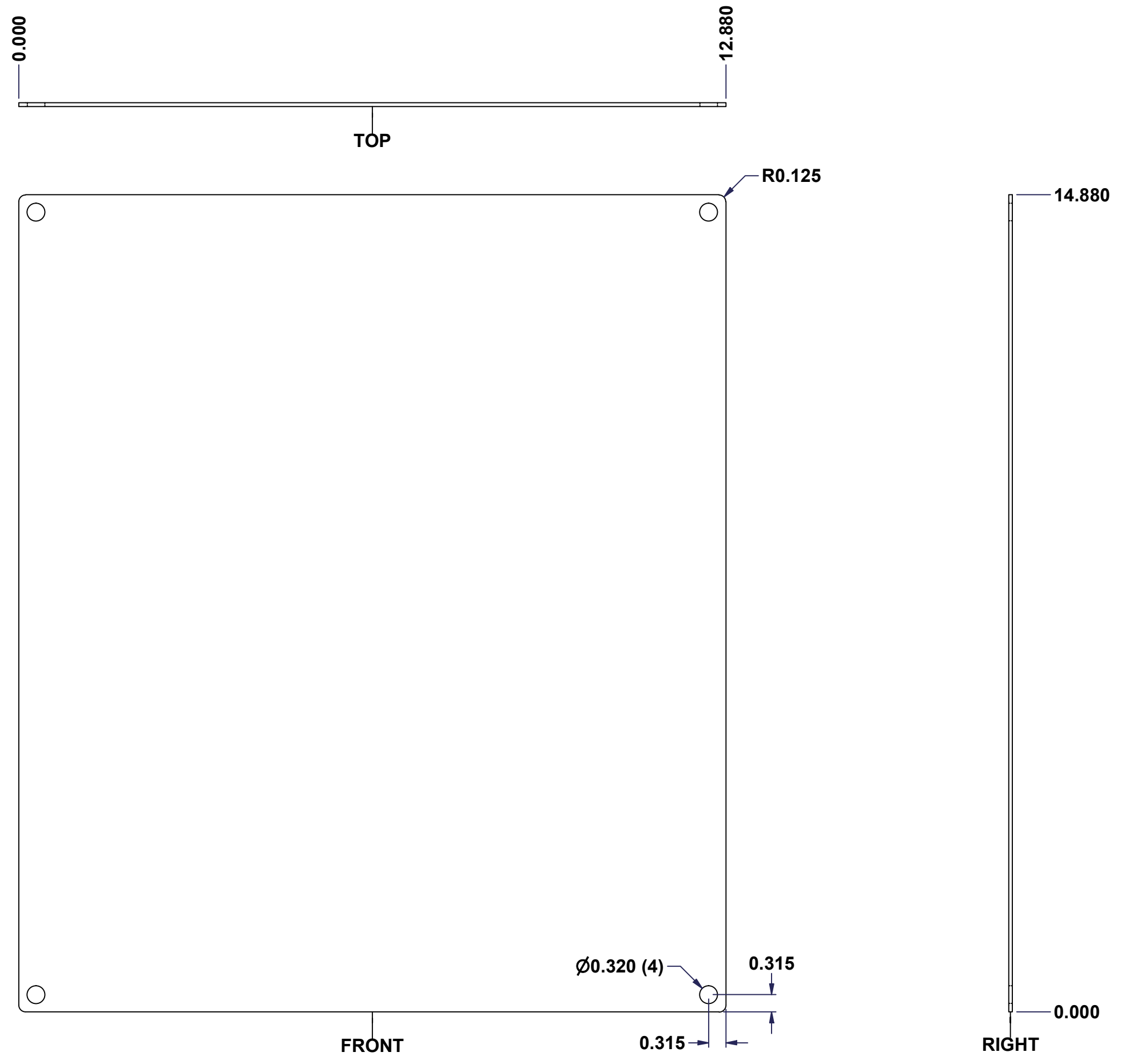
Description: 1412EL 16.5" x 15.25" Cover	Detail Rev.
--	-------------

Part Number / Numéro Pièce: 1412EL161506C	Rev. 0	9
--	--------	---

Qty	Part Number	Rev	Description
1	1412EL161506G	0	1412EL 16.5" x 15.25" Gasket
1	STK-Q-08350	5	Standoff M6 x 10mm
1	STK-P-02400S	0	Powder Paint (Asa-61 Grey / Smooth)
1	1412EL161506C-P	0	1412EL 16.5" x 15.25" Cover Part
2	STK-A-33033	4	5412 ESMCH Hinge
2	STK-A-79960	14	5412 ESMCH - External Lock Assy - Slot Lock
Parts List			


This drawing is confidential and must not be reproduced or used without the consent of EXM


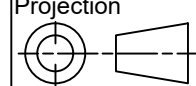
Ce dessin est confidentiel et ne doit pas être reproduit ou utilisé sans le consentement de EXM



No.	Revisions	Date	By/Par

Isometric View



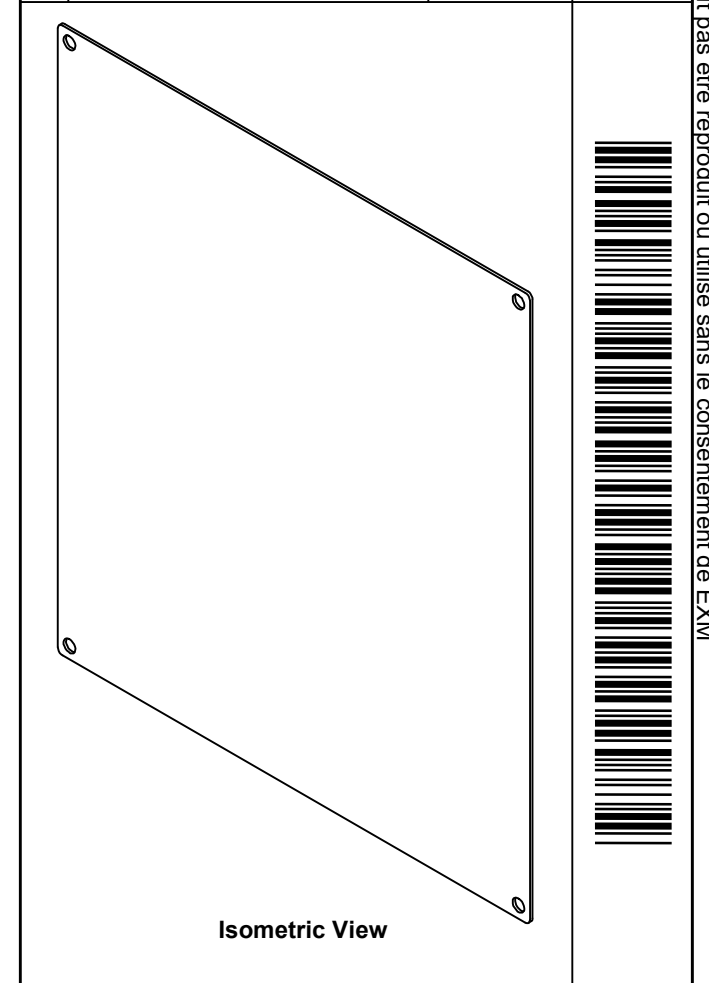
 Tél: (450) 979-4373 Fax: (450) 979-4626 www.exmweb.com		Flatness Aplatissement
		Max 3.0mm
Projection 		
Customer Client	Date	
Drawn By Dessiné Par	BoxCad	Date 23-Jan-07
Material Matière	14 Ga Galvanized (1.7mm)	
Color Couleur	Unpainted	Finish Fini Galvanized
Description	Detail Rev.	
880 SP1614G - Inner Panel		
Part Number Numéro Pièce	Rev.	1
880 SP1614G	0	2


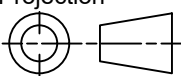
SEE BILL OF MATERIAL ON LAST PAGE

This drawing is confidential and must not be reproduced or used without the consent of EXM

Ce dessin est confidentiel et ne doit pas être reproduit ou utilisé sans le consentement de EXM

No.	Revisions	Date	By/Par



 Tél: (450) 979-4373 Fax: (450) 979-4626 www.exmweb.com		Flatness Aplatissement Max 3.0mm
Customer Client		Projection 
Drawn By / Dessiné Par: BoxCad		Date: 23-Jan-07
Material / Matière: 14 Ga Galvanized (1.7mm)		
Color / Couleur: Unpainted	Finish / Fini: Galvanized	
Description: 880 SP1614G - Inner Panel		Detail Rev.
Part Number / Numéro Pièce: 880 SP1614G		Rev. 0 / 2

Qty	Part Number	Rev	Description
1	880 SP1614G-P	0	880 SP1614G - Inner Panel Part
Parts List			