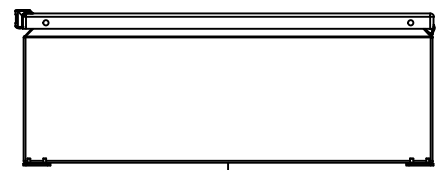
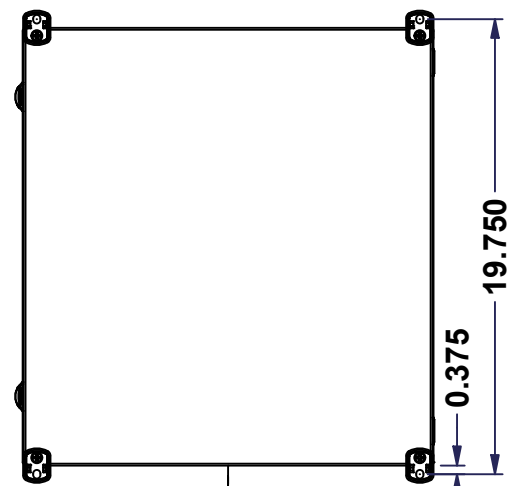


This drawing is confidential and must not be reproduced or used without the consent of EXM

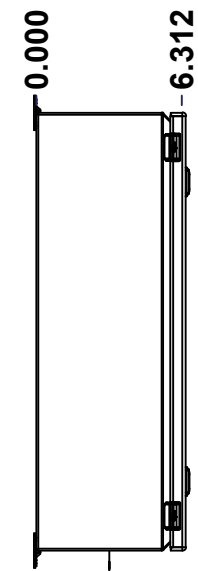
Ce dessin est confidentiel et ne doit pas être reproduit ou utilisé sans le consentement de EXM



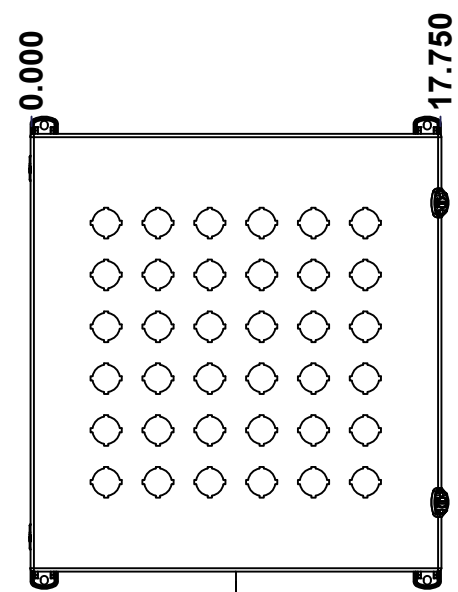
TOP



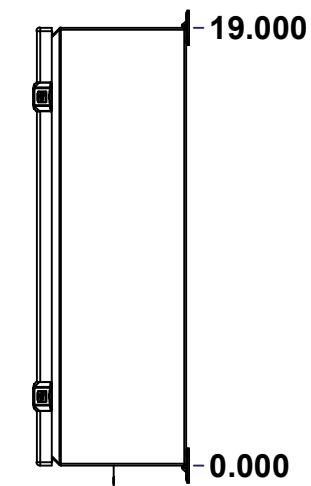
BACK



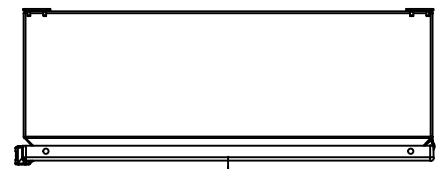
LEFT



FRONT

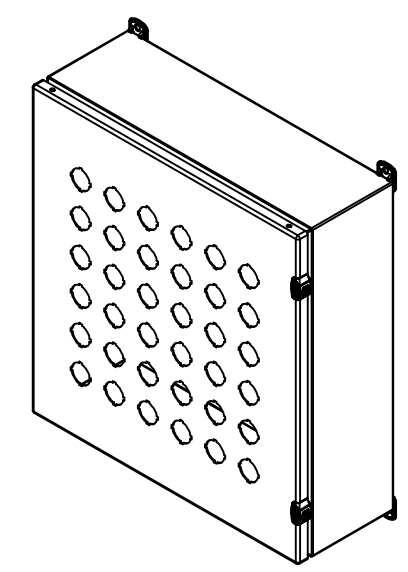


RIGHT



BOTTOM

No.	Revisions	Date	By/Par



Isometric View



Tél: (450) 979-4373
 Fax: (450) 979-4626
www.exmweb.com

Flatness
Aplatissement
Max 3.0mm
Projection

Customer Client
 Drawn By / Dessiné Par: BoxCad: BoxCad
 Date: 11-Jul-25

Material Matière: 16 Ga Cold Rolled A1008 CS Type B (1.4mm)

Color Couleur: Asa-61 Grey
 Finish Fini: Smooth

Description: 1412EL 19" x 17.75" x 6" Assembly
 Detail Rev.

Part Number Numéro Pièce: 1412EL181706
 Rev. 0

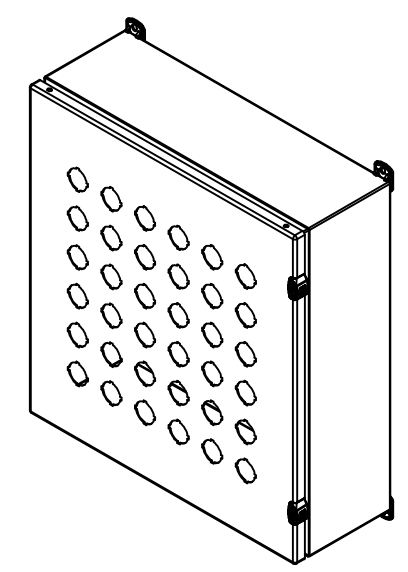
SEE BILL OF MATERIAL ON LAST PAGE

This drawing is confidential and must not be reproduced or used without the consent of EXM

Ce dessin est confidentiel et ne doit pas être reproduit ou utilisé sans le consentement de EXM

NOTE	
ITEM	DESCRIPTION
1	NEMA 4, 12 Enclosure (IP66)
2	C/W Standard ground standoffs on box and cover
3	W/O Standard door stiffener
4	C/W Special inner panel (Sold separately)
5	C/W Standard inner panel mounting standoffs
6	C/W 885 ESCHMF1 Mounting Feet (Installed)

No.	Revisions	Date	By/Par



Isometric View



Tél: (450) 979-4373
 Fax: (450) 979-4626
www.exmweb.com



Customer Client	Date
Drawn By / Dessiné Par: BoxCad: BoxCad	Date: 11-Jul-25
Material / Matière: 16 Ga Cold Rolled A1008 CS Type B (1.4mm)	

Color / Couleur: Asa-61 Grey	Finish / Fini: Smooth
------------------------------	-----------------------

Description: 1412EL 19" x 17.75" x 6" Assembly	Detail Rev.
--	-------------

Part Number / Numéro Pièce: 1412EL181706	Rev. 0	2 / 11
---	--------	--------

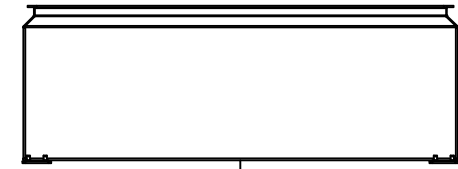
PACKING		
ITEM	QTY	DESCRIPTION
Cardboard sleeve	2	Top and Bottom
Cardboard strip	2	Between back of enclosure and inner panel
Plastic bag	1	To protect cover surface and inside gasket
Plastic strap - Black	2	To Squeeze the 2 cardboard sleeve together
Packaging label	1	White label with product number

Qty	Part Number	Rev	Description
1	1412EL181706C	0	1412EL 19" x 17.75" Cover
1	1412EL181706IP	0	1412EL 19" x 17.75" Inner Panel
1	STK-K-02910	3	5412 ESCH Accessory Kit
1	1412EL181706B	0	1412EL 19" x 17.75" x 6" Body

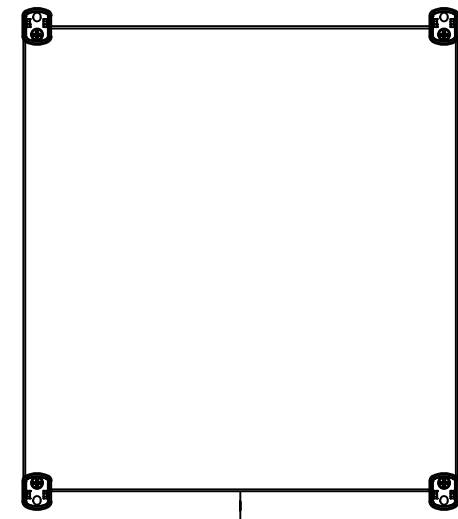
Parts List

This drawing is confidential and must not be reproduced or used without the consent of EXM

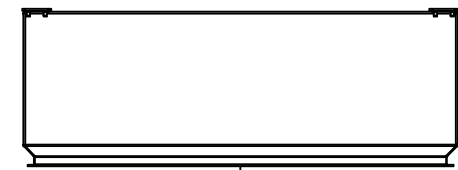
Ce dessin est confidentiel et ne doit pas être reproduit ou utilisé sans le consentement de EXM



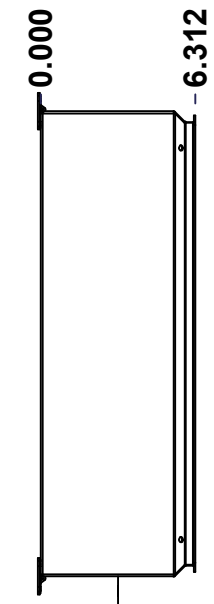
TOP



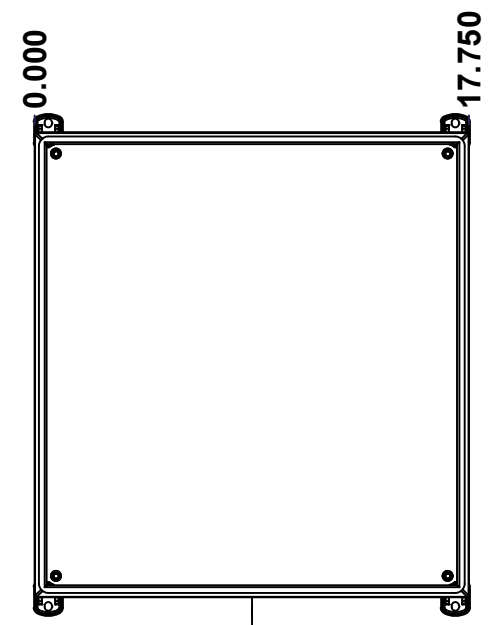
BACK



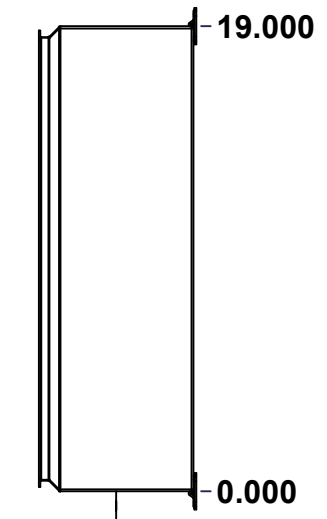
BOTTOM



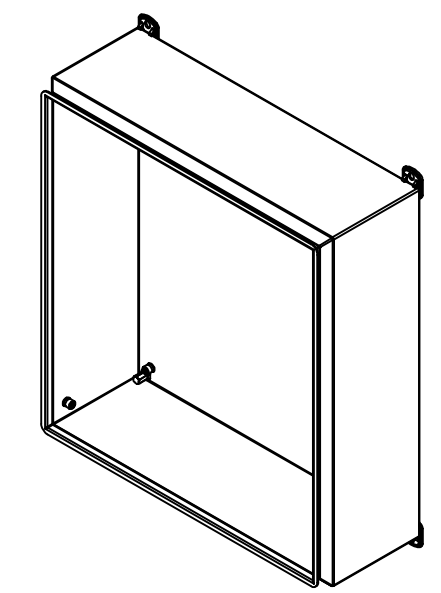
LEFT



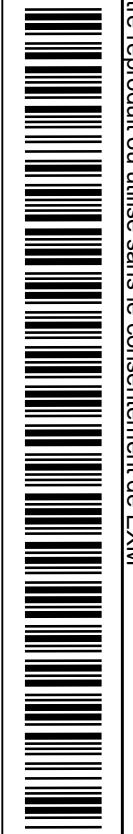
FRONT




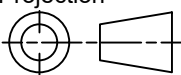
RIGHT



Isometric View



No.	Revisions	Date	By/Par

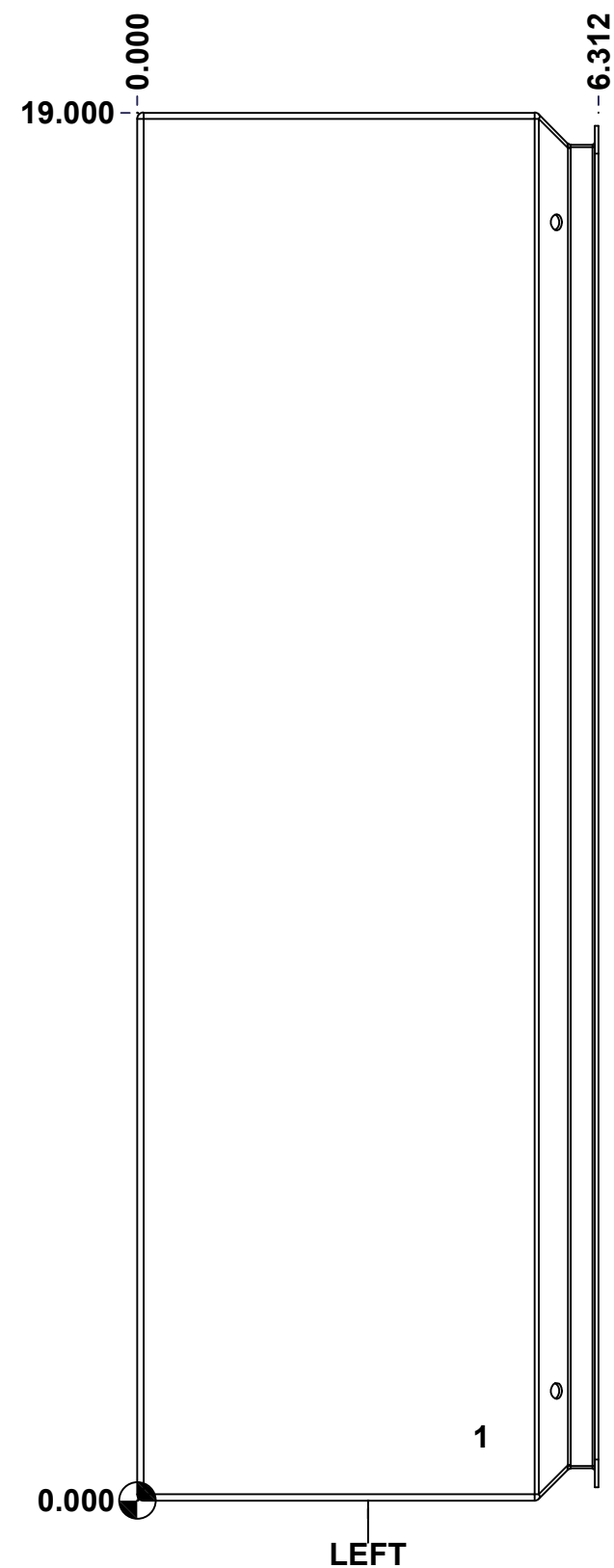
 Tél: (450) 979-4373 Fax: (450) 979-4626 www.exmweb.com		Flatness Aplatissement Max 3.0mm Projection 
Customer Client	Date	
Drawn By Dessiné Par	BoxCad: BoxCad	Date 11-Jul-25
Material Matière	16 Ga Cold Rolled A1008 CS Type B (1.4mm)	
Color Couleur	Asa-61 Grey	Finish Fini Smooth
Description	Detail Rev.	
1412EL 19" x 17.75" x 6" Body		
Part Number Numéro Pièce	Rev.	3
1412EL181706B	0	11

SEE BILL OF MATERIAL ON LAST PAGE

This drawing is confidential and must not be reproduced or used without the consent of EXM

Ce dessin est confidentiel et ne doit pas être reproduit ou utilisé sans le consentement de EXM

STANDARD FEATURES ARE NOT LISTED IN THIS HOLE TABLE			
HOLE TABLE - LEFT VIEW (CUSTOM FEATURE ONLY)			
CUT-OUT	XDIM	YDIM	DESCRIPTION
1	4.625	0.875	STANDOFF M6 x 10mm (Inside)



	Description	Status	
	1412EL 19" x 17.75" x 6" Body	(NULL)	
	Part Number Numéro Pièce	Rev.	4
	1412EL181706B	0	11

This drawing is confidential and must not be reproduced or used without the consent of EXM

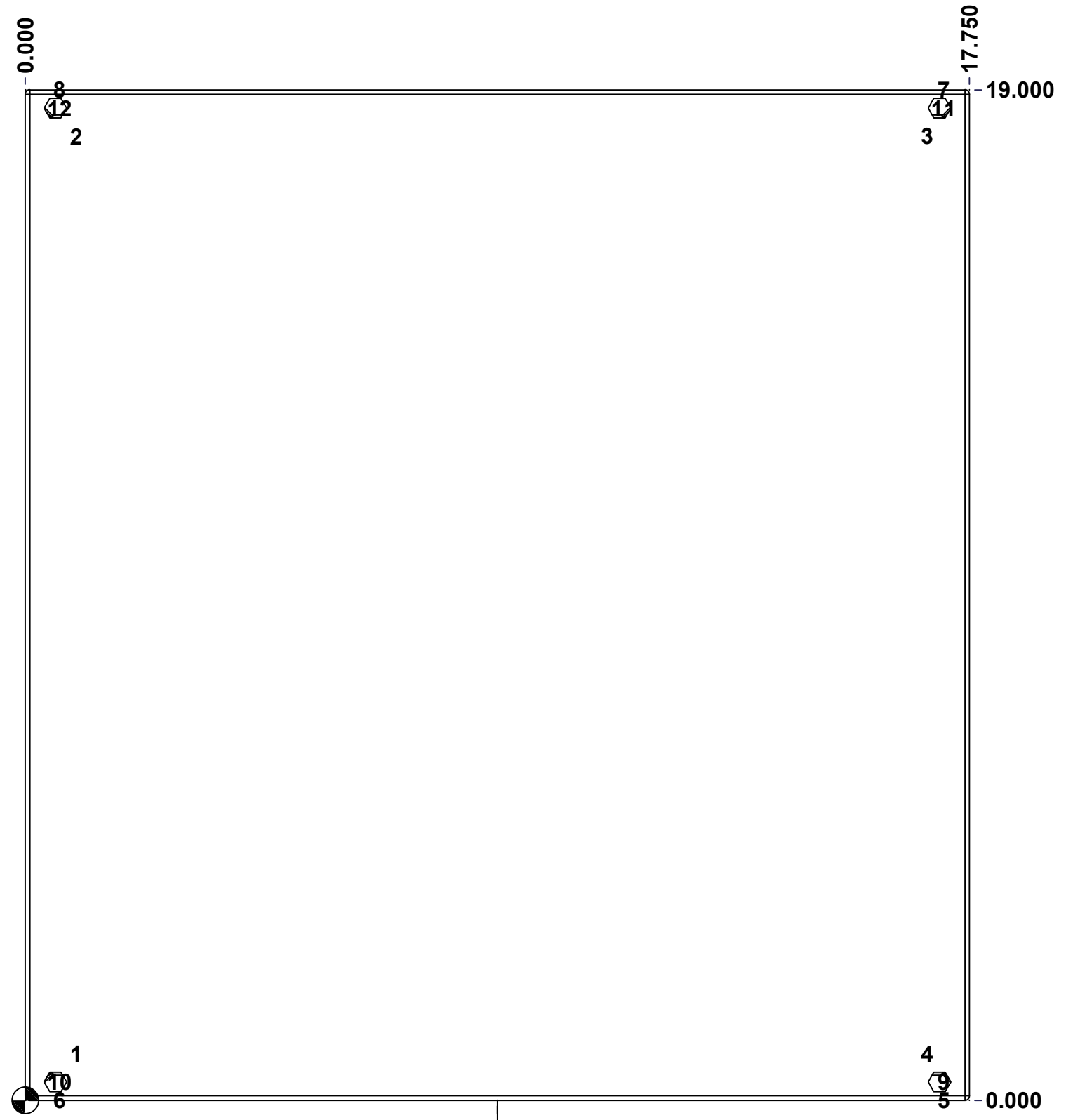
Ce dessin est confidentiel et ne doit pas être reproduit ou utilisé sans le consentement de EXM

STANDARD FEATURES ARE NOT LISTED IN THIS HOLE TABLE

HOLE TABLE - BACK VIEW (CUSTOM FEATURE ONLY)

CUT-OUT	XDIM	YDIM	DESCRIPTION
1	0.875	0.875	IP STANDOFF M6 x 10mm (Inside)
2	0.875	18.125	IP STANDOFF M6 x 10mm (Inside)
3	16.875	18.125	IP STANDOFF M6 x 10mm (Inside)
4	16.875	0.875	IP STANDOFF M6 x 10mm (Inside)

5	17.187	0.000	FOOT 885 ESCHMF1
6	0.563	0.000	FOOT 885 ESCHMF1
7	17.187	19.000	FOOT 885 ESCHMF1
8	0.563	19.000	FOOT 885 ESCHMF1
9	17.187	0.344	RIVET NUT M6_FH_CE (Inside)
10	0.563	0.344	RIVET NUT M6_FH_CE (Inside)
11	17.187	18.656	RIVET NUT M6_FH_CE (Inside)
12	0.563	18.656	RIVET NUT M6_FH_CE (Inside)



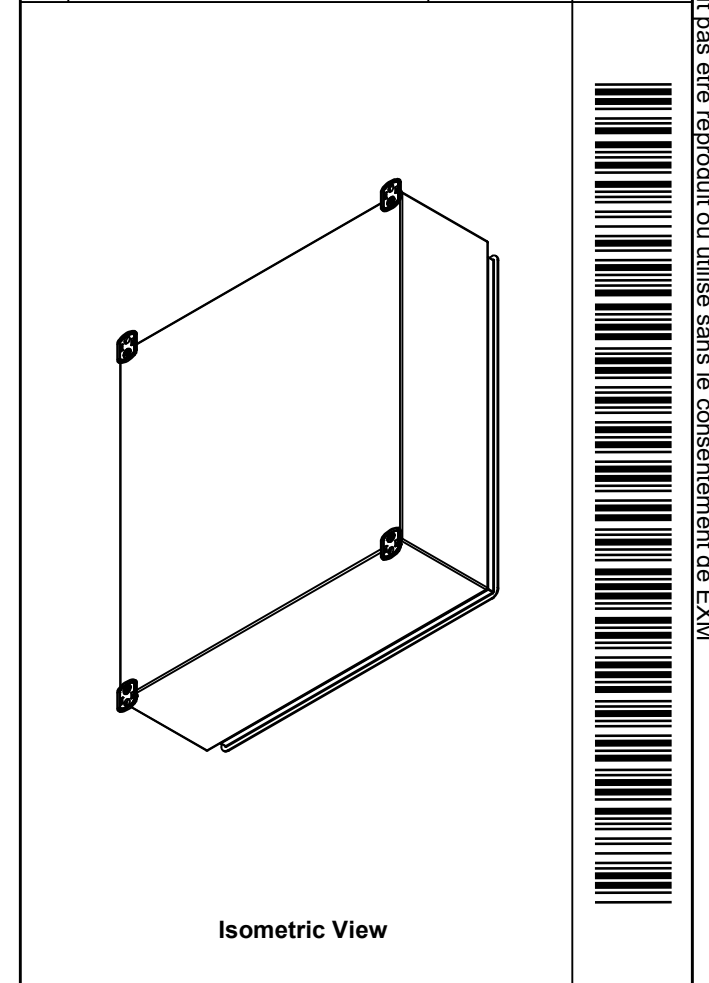
BACK

	Description	Status
	1412EL 19" x 17.75" x 6" Body	(NULL)
	Part Number	Rev.
	1412EL181706B	5
		11

This drawing is confidential and must not be reproduced or used without the consent of EXM

Ce dessin est confidentiel et ne doit pas être reproduit ou utilisé sans le consentement de EXM

No.	Revisions	Date	By/Par



Tél: (450) 979-4373 Fax: (450) 979-4626 www.exmweb.com		Flatness Aplatissement	
		Max 3.0mm	
Customer Client		Date	
Drawn By Dessiné Par BoxCad: BoxCad		Date 11-Jul-25	
Material Matière 16 Ga Cold Rolled A1008 CS Type B (1.4mm)			
Color Couleur Asa-61 Grey		Finish Fini Smooth	
Description 1412EL 19" x 17.75" x 6" Body			Detail Rev.
Part Number Numéro Pièce 1412EL181706B			Rev. 0

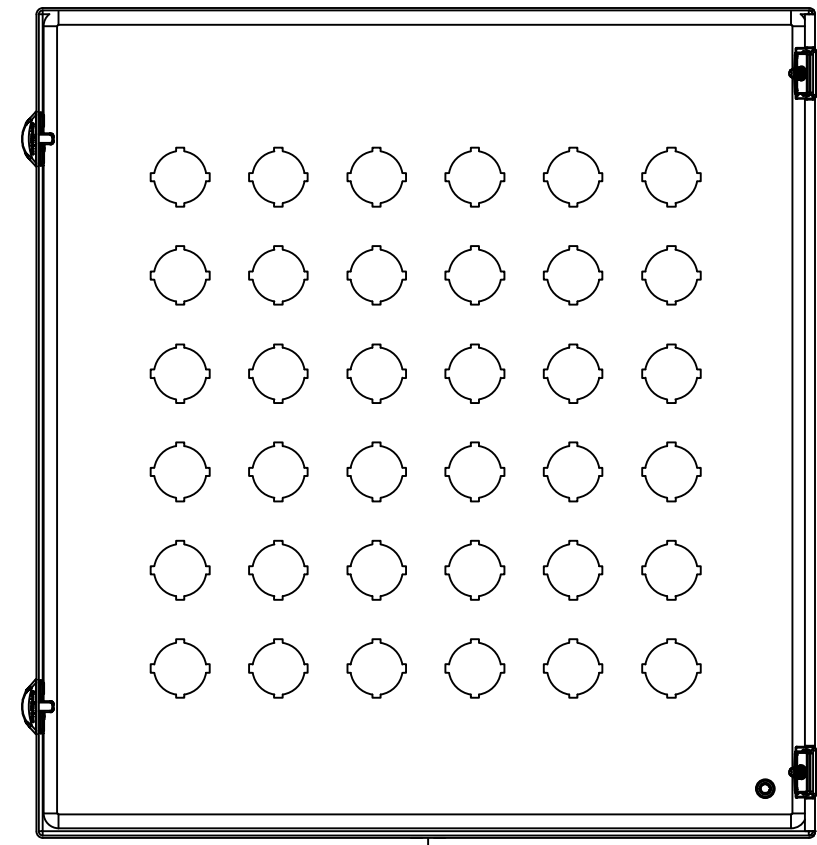
4	STK-Q-03071	0	M6 x 16mm Machine Screw
4	RIVET_NUT_M6_FH_CE	0	Rivet Nut M6 (Low Profile Close End)
4	885 ESCHMF1	2	5412 ESCH Stamped Mounting Foot
1	STK-P-02400S	0	Powder Paint (Asa-61 Grey / Smooth)
1	1412EL181706B-P	0	1412EL 19" x 17.75" x 6" Body Part
5	STK-Q-08350	5	Standoff M6 x 10mm
Qty	Part Number	Rev	Description
Parts List			

This drawing is confidential and must not be reproduced or used without the consent of EXM

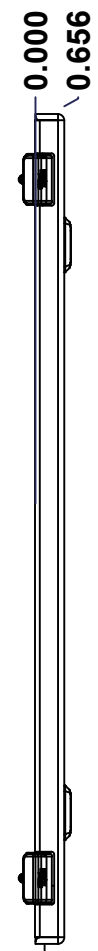
Ce dessin est confidentiel et ne doit pas être reproduit ou utilisé sans le consentement de EXM



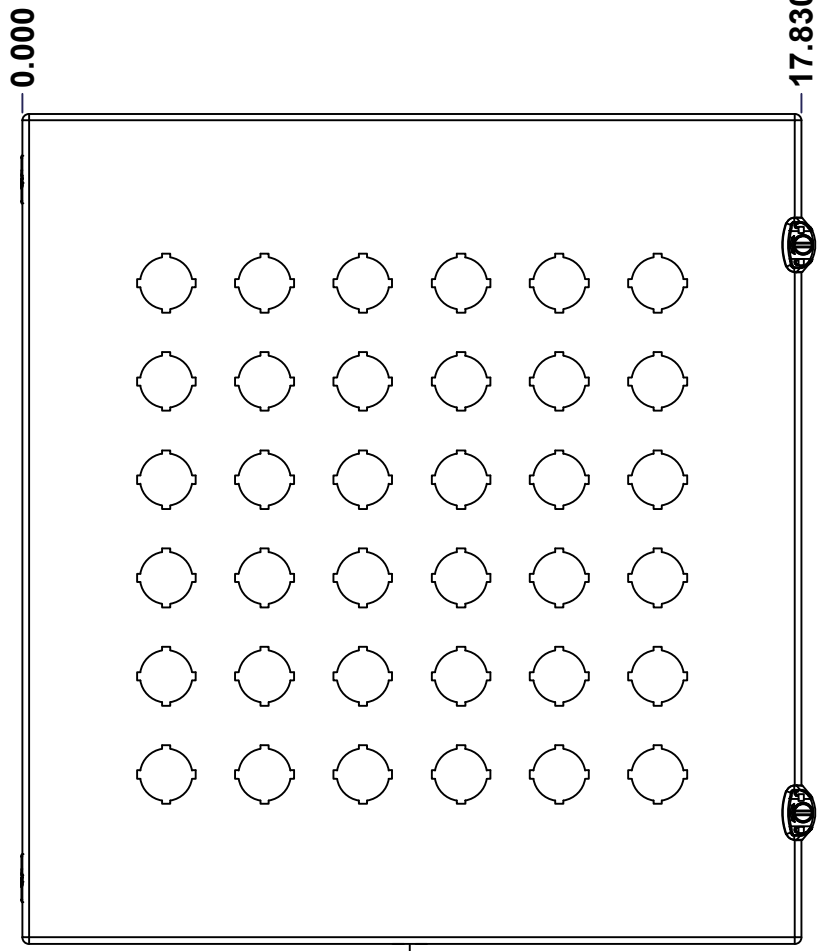
TOP



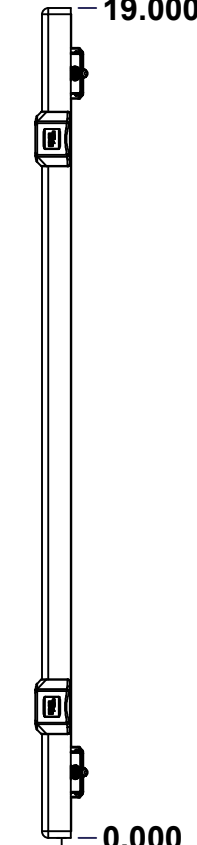
BACK



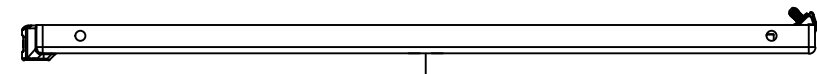
LEFT



FRONT

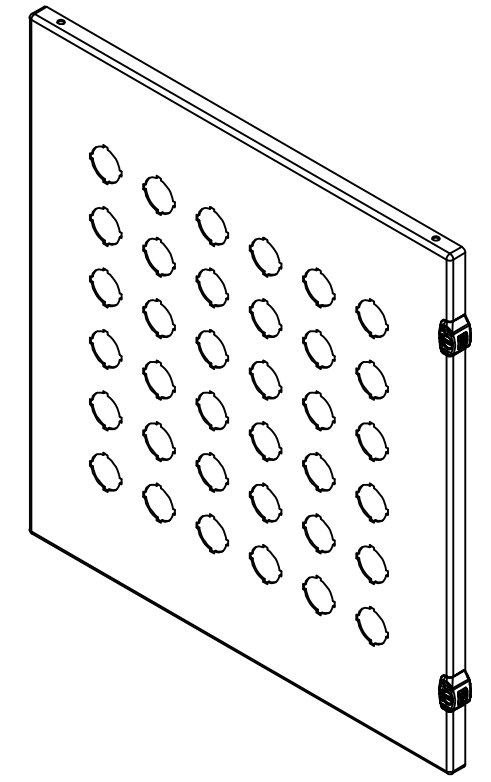


RIGHT




BOTTOM

No.	Revisions	Date	By/Par



Isometric View



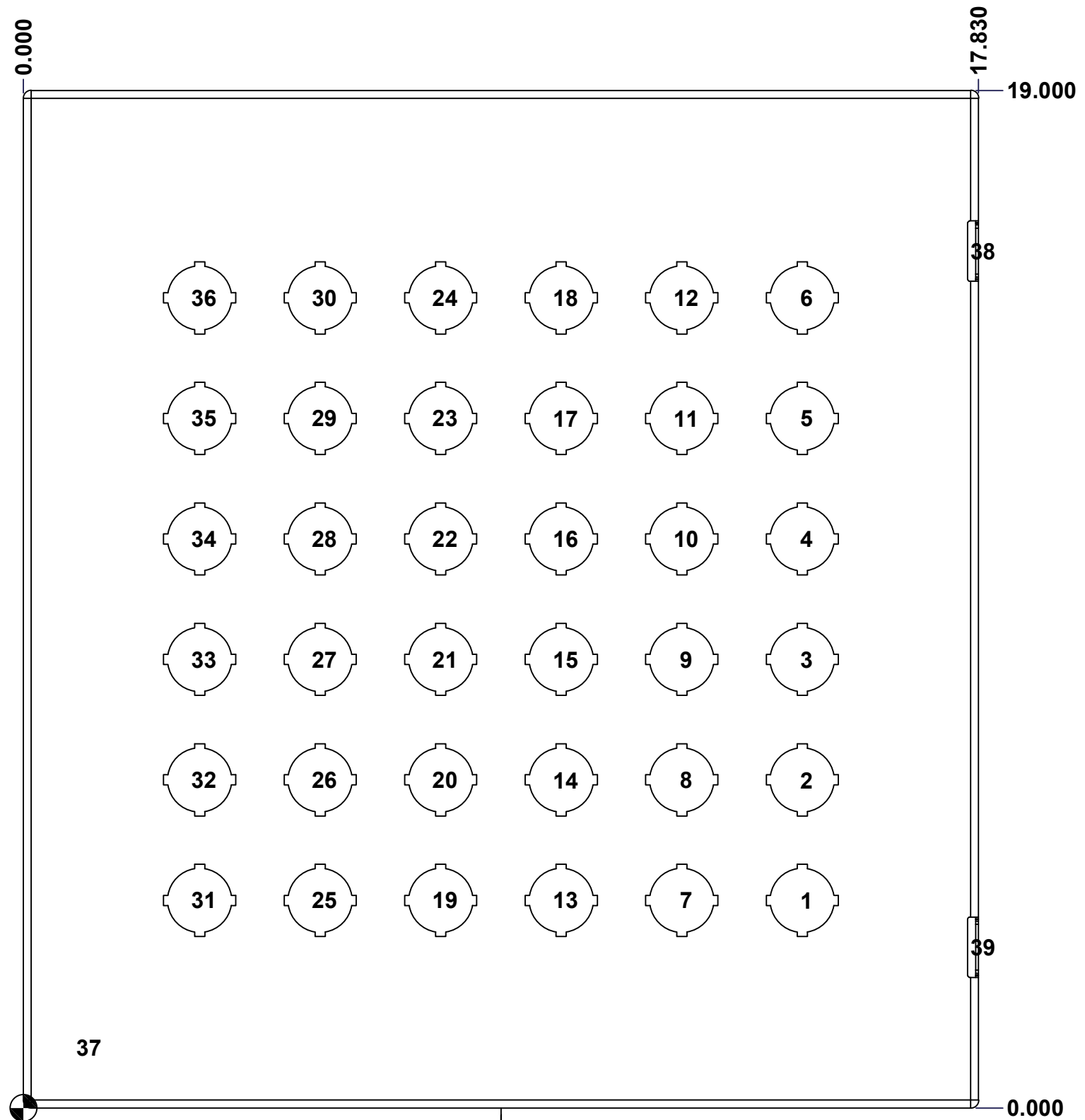
 Tél: (450) 979-4373 Fax: (450) 979-4626 www.exmweb.com		Flatness Aplatissement	
		Max 3.0mm	
Customer Client		Date	
Drawn By Dessiné Par BoxCad: BoxCad		Date 11-Jul-25	
Material Matière 16 Ga Cold Rolled A1008 CS Type B (1.4mm)			
Color Couleur Asa-61 Grey		Finish Fini Smooth	
Description 1412EL 19" x 17.75" Cover			Detail Rev.
Part Number Numéro Pièce 1412EL181706C		Rev. 0	7 / 11

SEE BILL OF MATERIAL ON LAST PAGE

This drawing is confidential and must not be reproduced or used without the consent of EXM

Ce dessin est confidentiel et ne doit pas être reproduit ou utilisé sans le consentement de EXM

STANDARD FEATURES ARE NOT LISTED IN THIS HOLE TABLE			
HOLE TABLE - FRONT VIEW (CUSTOM FEATURE ONLY)			
CUT-OUT	XDIM	YDIM	DESCRIPTION
1	14.540	3.875	30.5 mm Standard Pushbutton
2	14.540	6.125	30.5 mm Standard Pushbutton
3	14.540	8.375	30.5 mm Standard Pushbutton
4	14.540	10.625	30.5 mm Standard Pushbutton
5	14.540	12.875	30.5 mm Standard Pushbutton
6	14.540	15.125	30.5 mm Standard Pushbutton
7	12.290	3.875	30.5 mm Standard Pushbutton
8	12.290	6.125	30.5 mm Standard Pushbutton
9	12.290	8.375	30.5 mm Standard Pushbutton
10	12.290	10.625	30.5 mm Standard Pushbutton
11	12.290	12.875	30.5 mm Standard Pushbutton
12	12.290	15.125	30.5 mm Standard Pushbutton
13	10.040	3.875	30.5 mm Standard Pushbutton
14	10.040	6.125	30.5 mm Standard Pushbutton
15	10.040	8.375	30.5 mm Standard Pushbutton
16	10.040	10.625	30.5 mm Standard Pushbutton
17	10.040	12.875	30.5 mm Standard Pushbutton
18	10.040	15.125	30.5 mm Standard Pushbutton
19	7.790	3.875	30.5 mm Standard Pushbutton
20	7.790	6.125	30.5 mm Standard Pushbutton
21	7.790	8.375	30.5 mm Standard Pushbutton
22	7.790	10.625	30.5 mm Standard Pushbutton
23	7.790	12.875	30.5 mm Standard Pushbutton
24	7.790	15.125	30.5 mm Standard Pushbutton
25	5.540	3.875	30.5 mm Standard Pushbutton
26	5.540	6.125	30.5 mm Standard Pushbutton
27	5.540	8.375	30.5 mm Standard Pushbutton
28	5.540	10.625	30.5 mm Standard Pushbutton
29	5.540	12.875	30.5 mm Standard Pushbutton
30	5.540	15.125	30.5 mm Standard Pushbutton
31	3.290	3.875	30.5 mm Standard Pushbutton
32	3.290	6.125	30.5 mm Standard Pushbutton
33	3.290	8.375	30.5 mm Standard Pushbutton
34	3.290	10.625	30.5 mm Standard Pushbutton
35	3.290	12.875	30.5 mm Standard Pushbutton
36	3.290	15.125	30.5 mm Standard Pushbutton
37	1.145	1.125	STANDOFF M6 x 10mm (Inside)
38	17.830	16.000	LOCK 880 SCQ2MS @ 0.0°
39	17.830	3.000	LOCK 880 SCQ2MS @ 0.0°



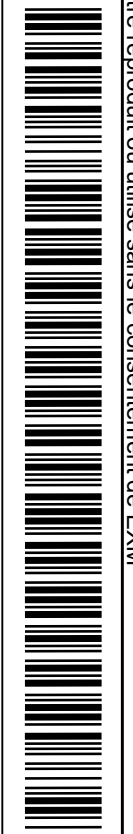
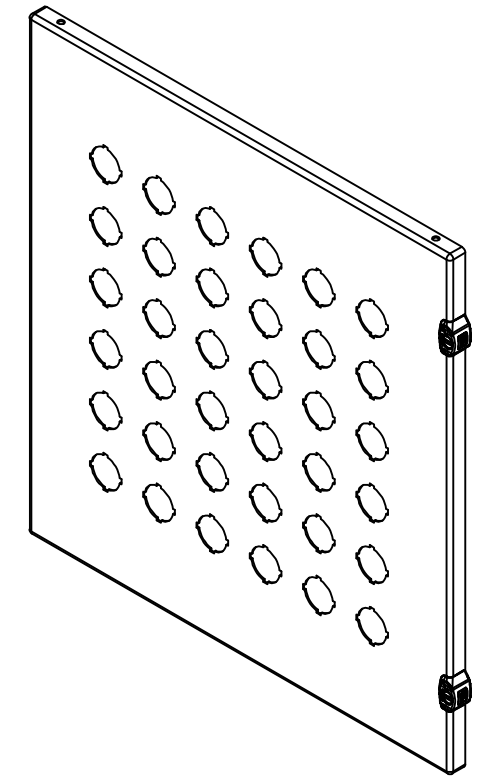
FRONT

	Description 1412EL 19" x 17.75" Cover	Status (NULL)
	Part Number Numéro Pièce 1412EL181706C	Rev. 8 0

This drawing is confidential and must not be reproduced or used without the consent of EXM

Ce dessin est confidentiel et ne doit pas être reproduit ou utilisé sans le consentement de EXM

No.	Revisions	Date	By/Par



Isometric View



Tél: (450) 979-4373
 Fax: (450) 979-4626
www.exmweb.com

Flatness
Aplatissement
Max 3.0mm
Projection

Customer Client	Date
Drawn By / Dessiné Par: BoxCad: BoxCad	Date: 11-Jul-25
Material / Matière: 16 Ga Cold Rolled A1008 CS Type B (1.4mm)	

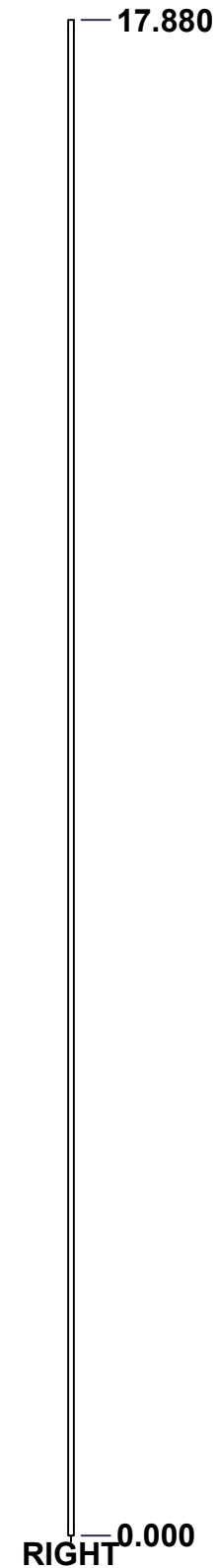
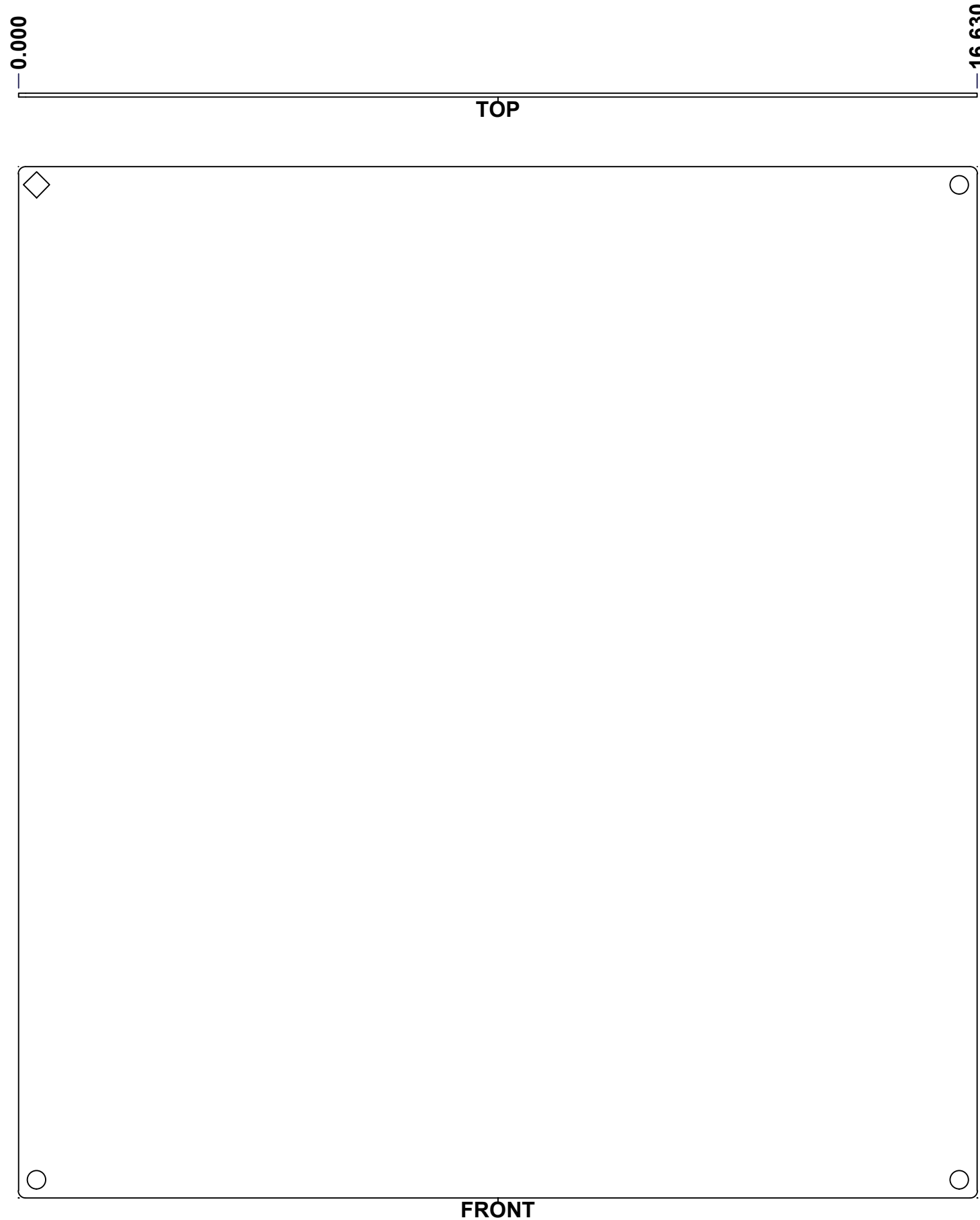
Color / Couleur: Asa-61 Grey	Finish / Fini: Smooth
Description: 1412EL 19" x 17.75" Cover	Detail Rev.

Part Number / Numéro Pièce: 1412EL181706C	Rev. 0	9
--	--------	---

Qty	Part Number	Rev	Description
1	1412EL181706G	0	1412EL 19" x 17.75" Gasket
1	STK-Q-08350	5	Standoff M6 x 10mm
1	STK-P-02400S	0	Powder Paint (Asa-61 Grey / Smooth)
1	1412EL181706C-P	0	1412EL 19" x 17.75" Cover Part
2	STK-A-33033	4	5412 ESMCH Hinge
2	STK-A-79960	14	5412 ESMCH - External Lock Assy - Slot Lock
Parts List			

This drawing is confidential and must not be reproduced or used without the consent of EXM

Ce dessin est confidentiel et ne doit pas être reproduit ou utilisé sans le consentement de EXM



No.	Revisions	Date	By/Par

Isometric View

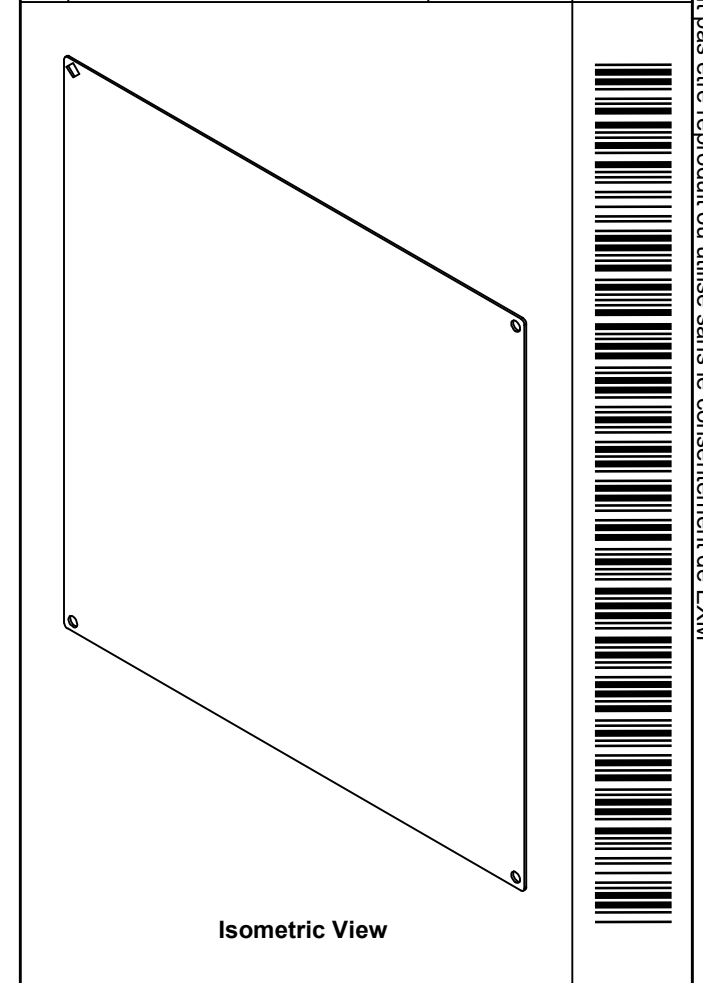
Tél: (450) 979-4373 Fax: (450) 979-4626 www.exmweb.com		Flatness Aplatissement	
		Max 3.0mm	
Customer Client		Date	
Drawn By Dessiné Par BoxCad: BoxCad		Date 11-Jul-25	
Material Matière 14 Ga Galvanized (1.7mm)			
Color Couleur Unpainted		Finish Fini Unpainted	
Description 1412EL 19" x 17.75" Inner Panel			Detail Rev.
Part Number Numéro Pièce 1412EL181706IP		Rev. 0	10 11


SEE BILL OF MATERIAL ON LAST PAGE

This drawing is confidential and must not be reproduced or used without the consent of EXM

Ce dessin est confidentiel et ne doit pas être reproduit ou utilisé sans le consentement de EXM

No.	Revisions	Date	By/Par



 Tél: (450) 979-4373 Fax: (450) 979-4626 www.exmweb.com		Flatness Aplatissement Max 3.0mm
Customer Client		Date
Drawn By / Dessiné Par: BoxCad: BoxCad		Date: 11-Jul-25
Material / Matière: 14 Ga Galvanized (1.7mm)		
Color / Couleur: Unpainted	Finish / Fini: Unpainted	
Description: 1412EL 19" x 17.75" Inner Panel		Detail Rev.
Part Number / Numéro Pièce: 1412EL181706IP		Rev. 0 / 11

Qty	Part Number	Rev	Description
1	1412EL181706IP-P	0	1412EL 19" x 17.75" Inner Panel Part
Parts List			