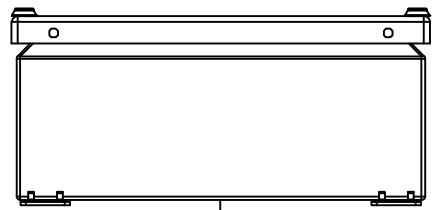
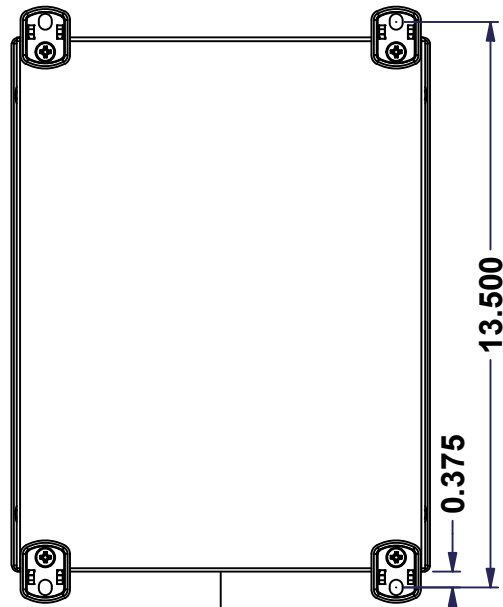


This drawing is confidential and must not be reproduced or used without the consent of EXM

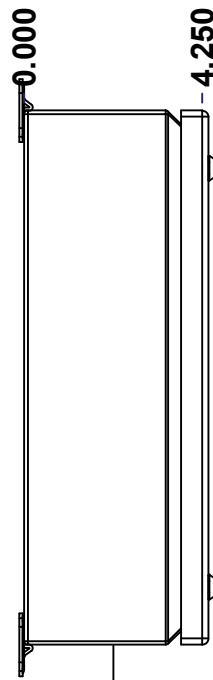
Ce dessin est confidentiel et ne doit pas être reproduit ou utilisé sans le consentement de EXM



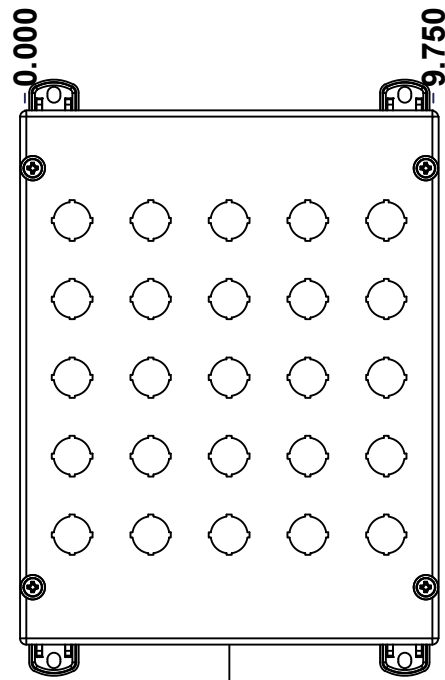
TOP



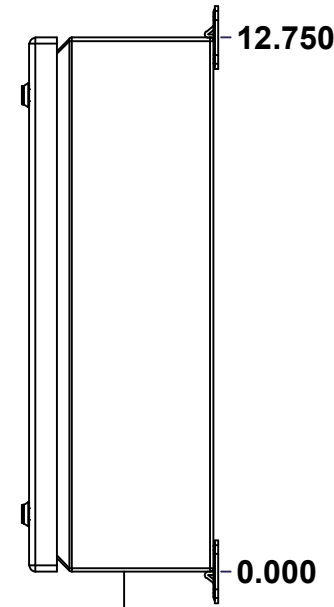
BACK



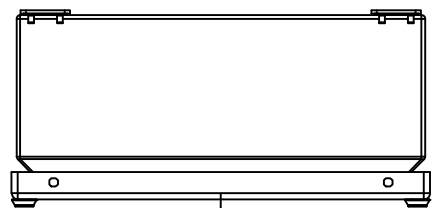
LEFT



FRONT

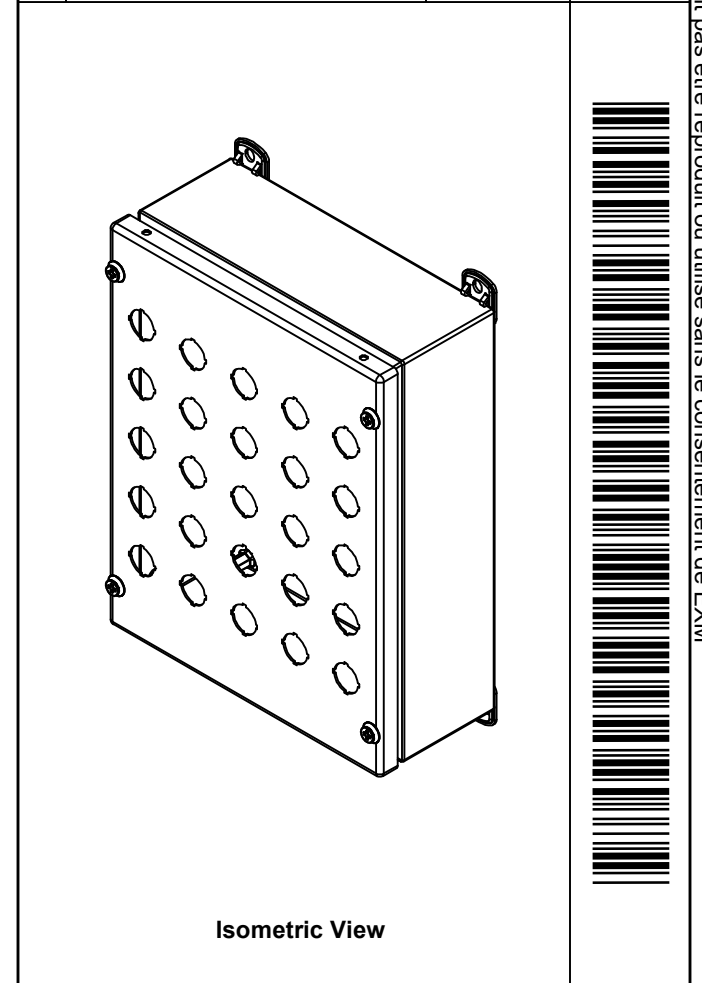



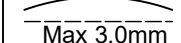
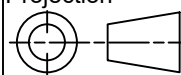
RIGHT



BOTTOM

No.	Revisions	Date	By/Par



 Tél: (450) 979-4373 Fax: (450) 979-4626 www.exmweb.com		Flatness Aplatissement  Max 3.0mm Projection 
Customer Client	Date	
Drawn By Dessiné Par	BoxCad: BoxCad	Date 04-Sep-25
Material Matière	16 Ga Cold Rolled A1008 CS Type B (1.4mm)	
Color Couleur	Asa-61 Grey	Finish Fini Textured
Description 1412MN 12.75" x 9.75" x 4.25" Assembly		Detail Rev.
Part Number Numéro Pièce	1412MN120904	Rev. 1 0

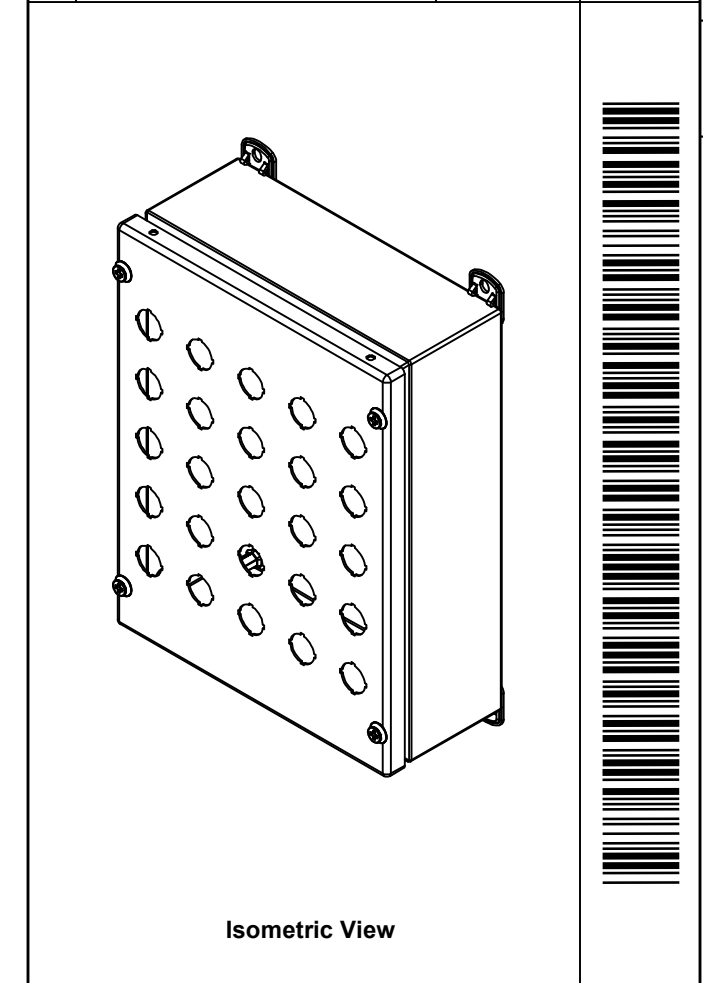
SEE BILL OF MATERIAL ON LAST PAGE


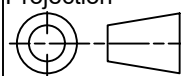
This drawing is confidential and must not be reproduced or used without the consent of EXM

Ce dessin est confidentiel et ne doit pas être reproduit ou utilisé sans le consentement de EXM

NOTE	
ITEM	DESCRIPTION
1	NEMA 4, 12 Enclosure (IP66)
2	C/W Standard ground standoffs on box and cover
3	W/O Standard door stiffener
4	W/O Inner panel
5	W/O Inner panel mounting standoffs
6	C/W 885 ESCHMF1 Mounting Feet (Installed)

No.	Revisions	Date	By/Par



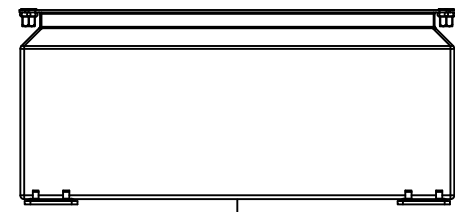
 Tél: (450) 979-4373 Fax: (450) 979-4626 www.exmweb.com	Flatness Aplatissement Max 3.0mm
	Projection 
Customer Client	Date
Drawn By Dessiné Par BoxCad: BoxCad	Date 04-Sep-25
Material Matière 16 Ga Cold Rolled A1008 CS Type B (1.4mm)	
Color Couleur Asa-61 Grey	Finish Fini Textured
Description 1412MN 12.75" x 9.75" x 4.25" Assembly	Detail Rev.
Part Number Numéro Pièce 1412MN120904	Rev. 2 0 / 9

PACKING		
ITEM	QTY	DESCRIPTION
Cardboard sleeve	2	Top and Bottom
Cardboard strip	2	Between back of enclosure and inner panel
Plastic bag	1	To protect cover surface and inside gasket
Plastic strap - Black	2	To Squeeze the 2 cardboard sleeve together
Packaging label	1	White label with product number

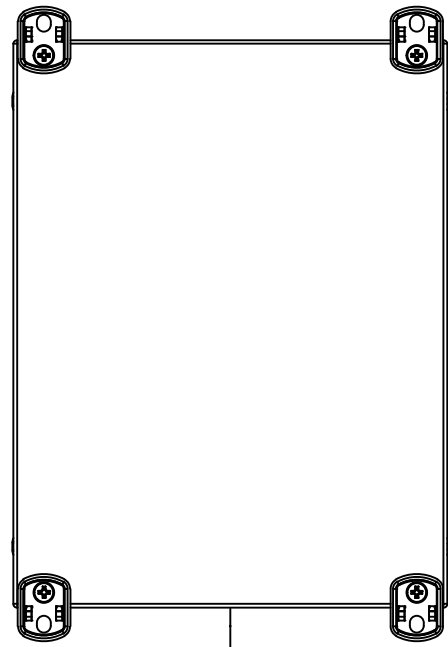
Qty	Part Number	Rev	Description
1	STK-K-02920	3	5412 ESSC Accessory Kit
1	1412MN120904C	0	1412MN 12.75" x 9.75" Cover
1	1412MN120904B	0	1412MN 12.75" x 9.75" x 4.25" Body
Parts List			

This drawing is confidential and must not be reproduced or used without the consent of EXM

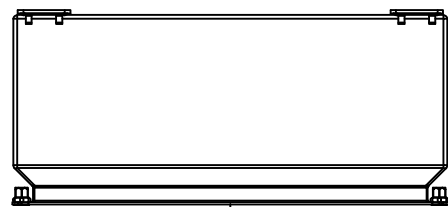
Ce dessin est confidentiel et ne doit pas être reproduit ou utilisé sans le consentement de EXM



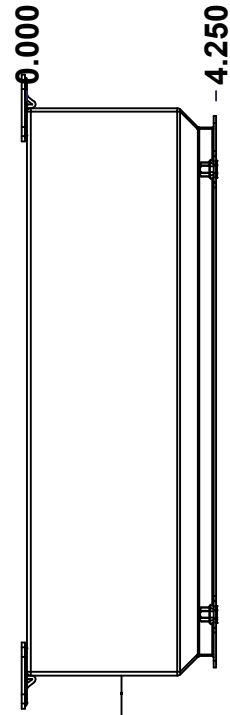
TOP



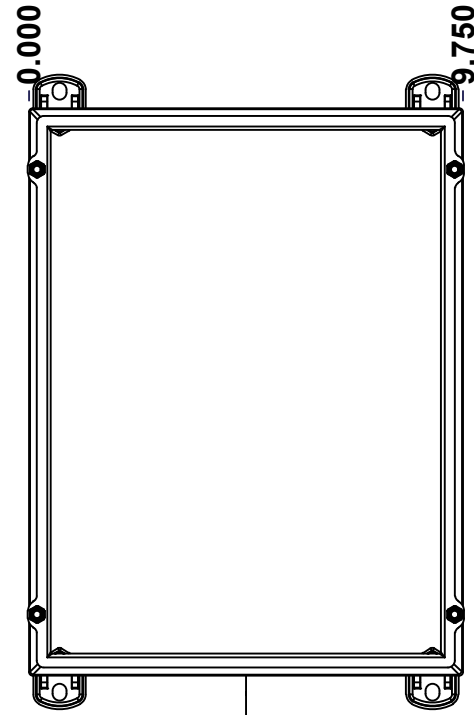
BACK



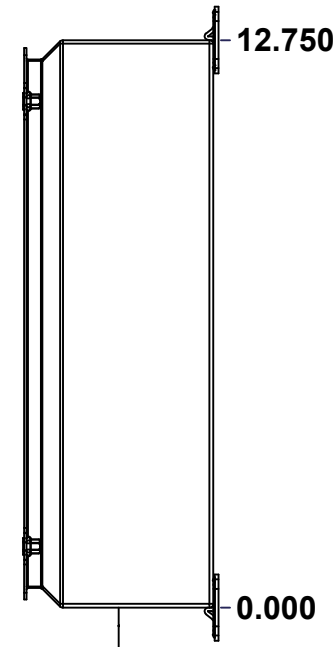
BOTTOM



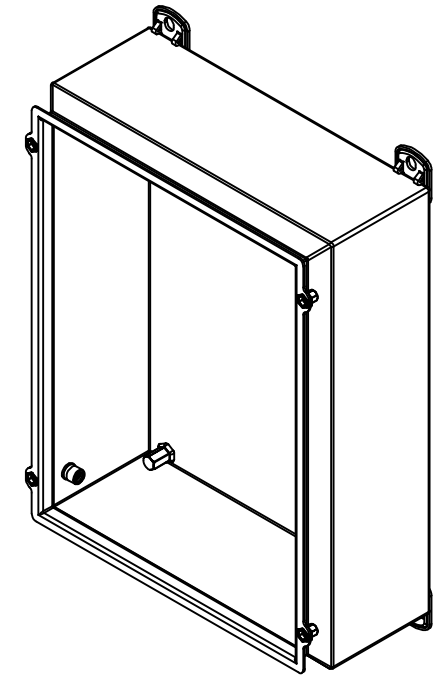
LEFT



FRONT




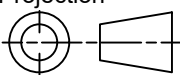
RIGHT



Isometric View



No.	Revisions	Date	By/Par

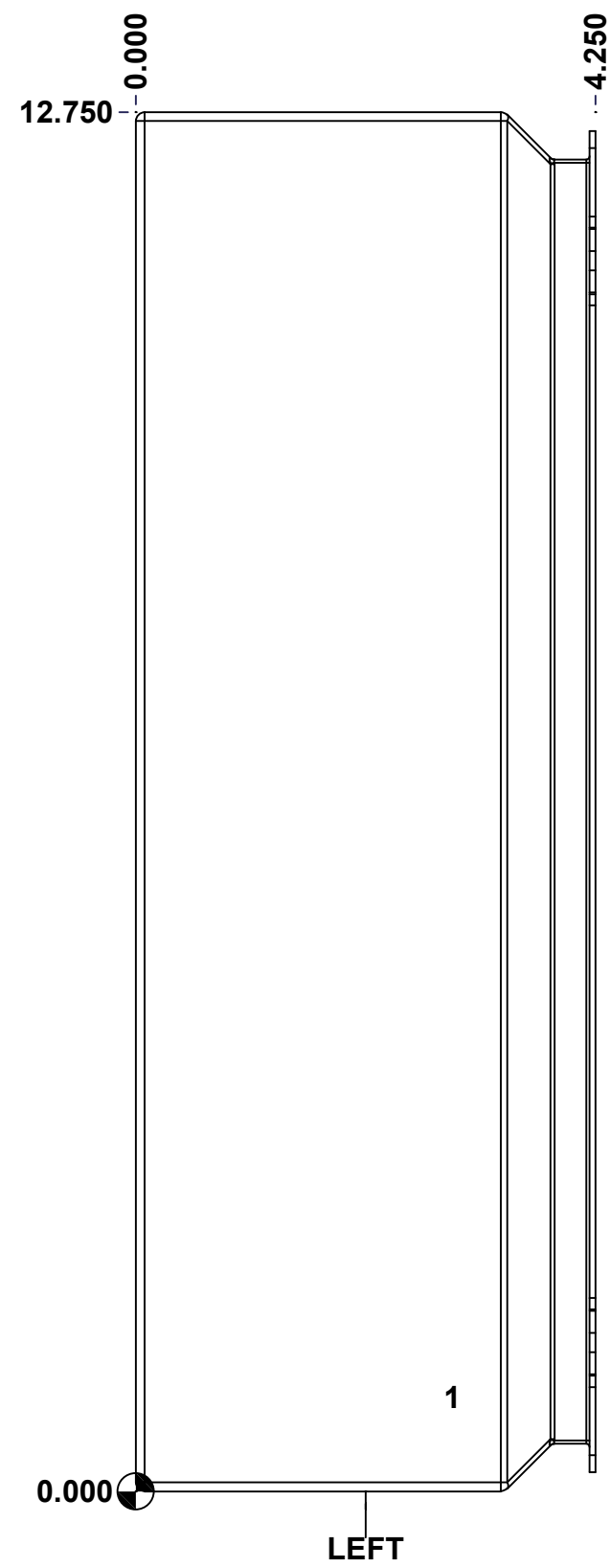
 Tél: (450) 979-4373 Fax: (450) 979-4626 www.exmweb.com		Flatness Aplatissement Max 3.0mm Projection 
Customer Client	Date	
Drawn By Dessiné Par	BoxCad: BoxCad	Date 04-Sep-25
Material Matière	16 Ga Cold Rolled A1008 CS Type B (1.4mm)	
Color Couleur	Asa-61 Grey	Finish Fini Textured
Description	Detail Rev.	
1412MN 12.75" x 9.75" x 4.25" Body		
Part Number Numéro Pièce	Rev.	3
1412MN120904B	0	9

SEE BILL OF MATERIAL ON LAST PAGE

This drawing is confidential and must not be reproduced or used without the consent of EXM

Ce dessin est confidentiel et ne doit pas être reproduit ou utilisé sans le consentement de EXM

STANDARD FEATURES ARE NOT LISTED IN THIS HOLE TABLE			
HOLE TABLE - LEFT VIEW (CUSTOM FEATURE ONLY)			
CUT-OUT	XDIM	YDIM	DESCRIPTION
1	2.875	0.875	STANDOFF M6 x 10mm (Inside)



	Description	Status	
	1412MN 12.75" x 9.75" x 4.25" Body	(NULL)	
	Part Number Numéro Pièce	Rev.	4
	1412MN120904B	0	9

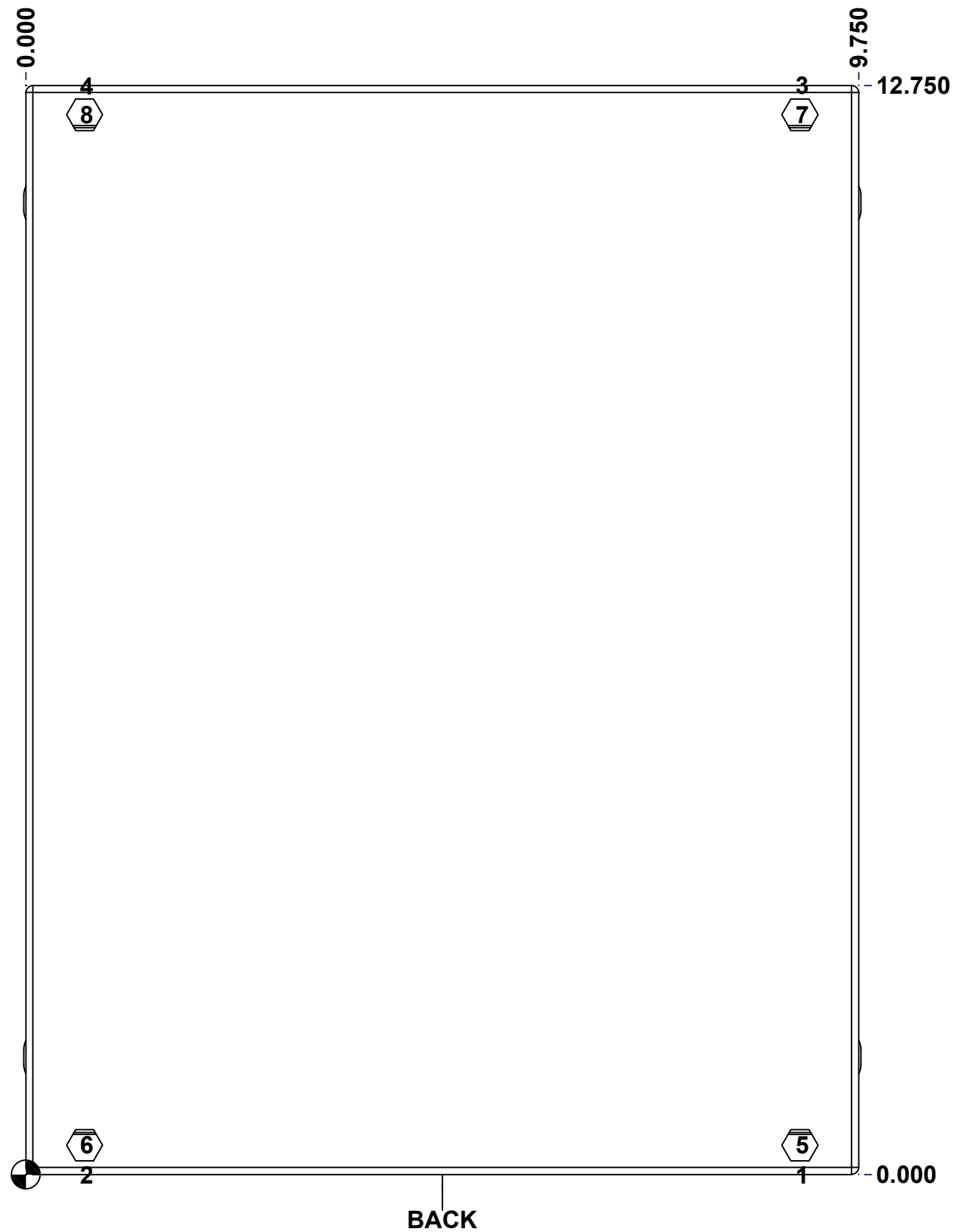
This drawing is confidential and must not be reproduced or used without the consent of EXM

Ce dessin est confidentiel et ne doit pas être reproduit ou utilisé sans le consentement de EXM

STANDARD FEATURES ARE NOT LISTED IN THIS HOLE TABLE

HOLE TABLE - BACK VIEW (CUSTOM FEATURE ONLY)

CUT-OUT	XDIM	YDIM	DESCRIPTION
1	9.062	0.000	FOOT 885 ESCHMF1
2	0.688	0.000	FOOT 885 ESCHMF1
3	9.062	12.750	FOOT 885 ESCHMF1
4	0.688	12.750	FOOT 885 ESCHMF1
5	9.062	0.344	RIVET NUT M6_FH_CE (Inside)
6	0.688	0.344	RIVET NUT M6_FH_CE (Inside)
7	9.062	12.406	RIVET NUT M6_FH_CE (Inside)
8	0.688	12.406	RIVET NUT M6_FH_CE (Inside)

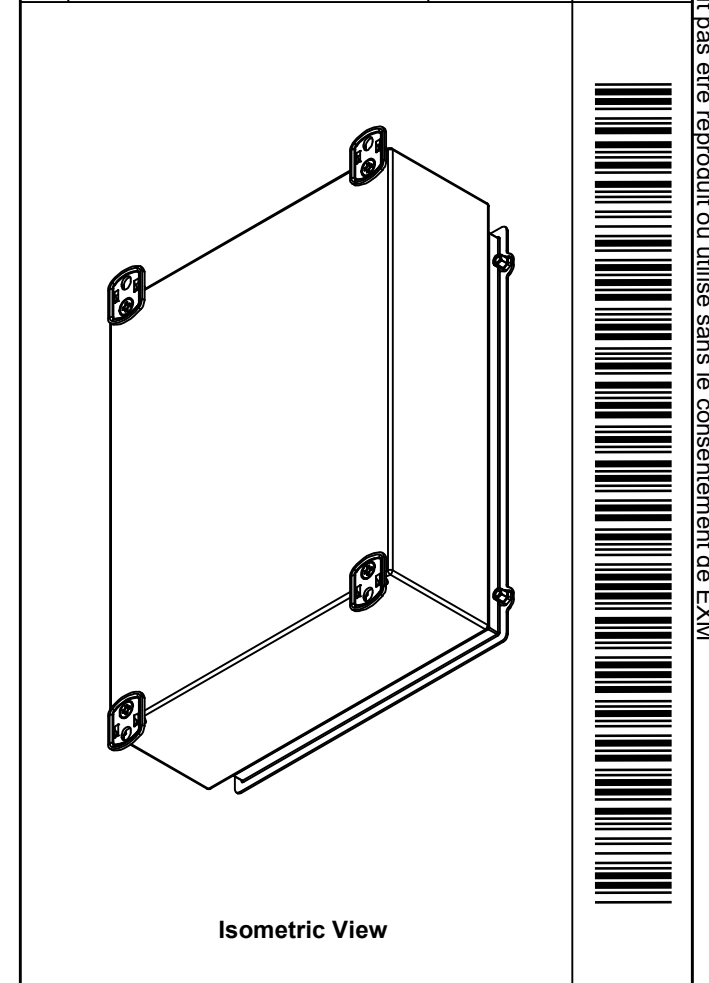



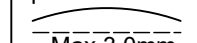
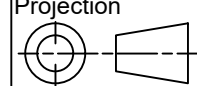
	Description	Status	
	1412MN 12.75" x 9.75" x 4.25" Body	(NULL)	
	Part Number	Rev.	5
	Numéro Pièce	0	9
1412MN120904B			

This drawing is confidential and must not be reproduced or used without the consent of EXM

Ce dessin est confidentiel et ne doit pas être reproduit ou utilisé sans le consentement de EXM

No.	Revisions	Date	By/Par

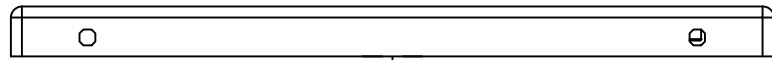


 Tél: (450) 979-4373 Fax: (450) 979-4626 www.exmweb.com		Flatness Aplatissement  Max 3.0mm Projection 
Customer Client	Date	
Drawn By Dessiné Par	BoxCad: BoxCad	Date 04-Sep-25
Material Matière	16 Ga Cold Rolled A1008 CS Type B (1.4mm)	
Color Couleur	Asa-61 Grey	Finish Fini Textured
Description		Detail Rev.
1412MN 12.75" x 9.75" x 4.25" Body		
Part Number Numéro Pièce	Rev.	6
1412MN120904B	0	9

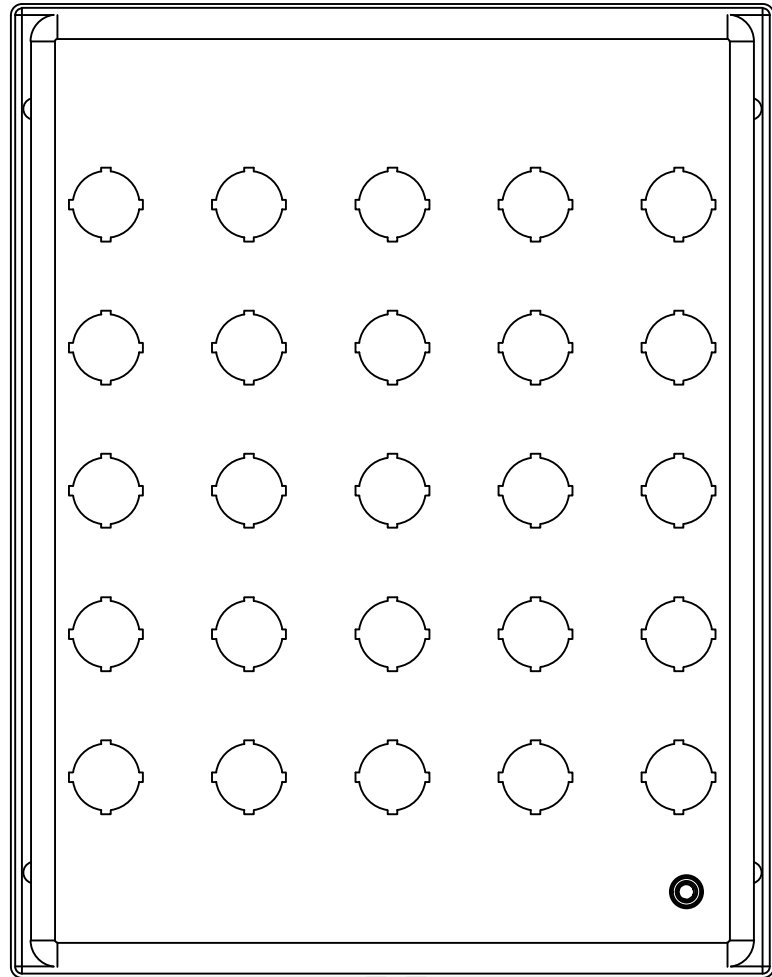
Qty	Part Number	Rev	Description
4	STK-Q-03071	0	M6 x 16mm Machine Screw
4	RIVET_NUT_M6_FH_CE	0	Rivet Nut M6 (Low Profile Close End)
4	885 ESCHMF1	2	5412 ESCH Stamped Mounting Foot
1	STK-P-02400R	0	Powder Paint (Asa-61 Grey / Rough Textured)
1	1412MN120904B-P	0	1412MN 12.75" x 9.75" x 4.25" Body Part
1	STK-Q-08350	5	Standoff M6 x 10mm
4	RIVET_NUT_M5_FH_OE	0	Rivet Nut M5 (Low Profile Open End)
Parts List			

This drawing is confidential and must not be reproduced or used without the consent of EXM

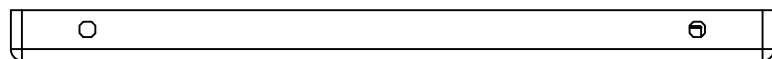
Ce dessin est confidentiel et ne doit pas être reproduit ou utilisé sans le consentement de EXM



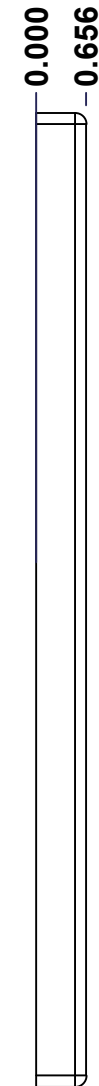
TOP



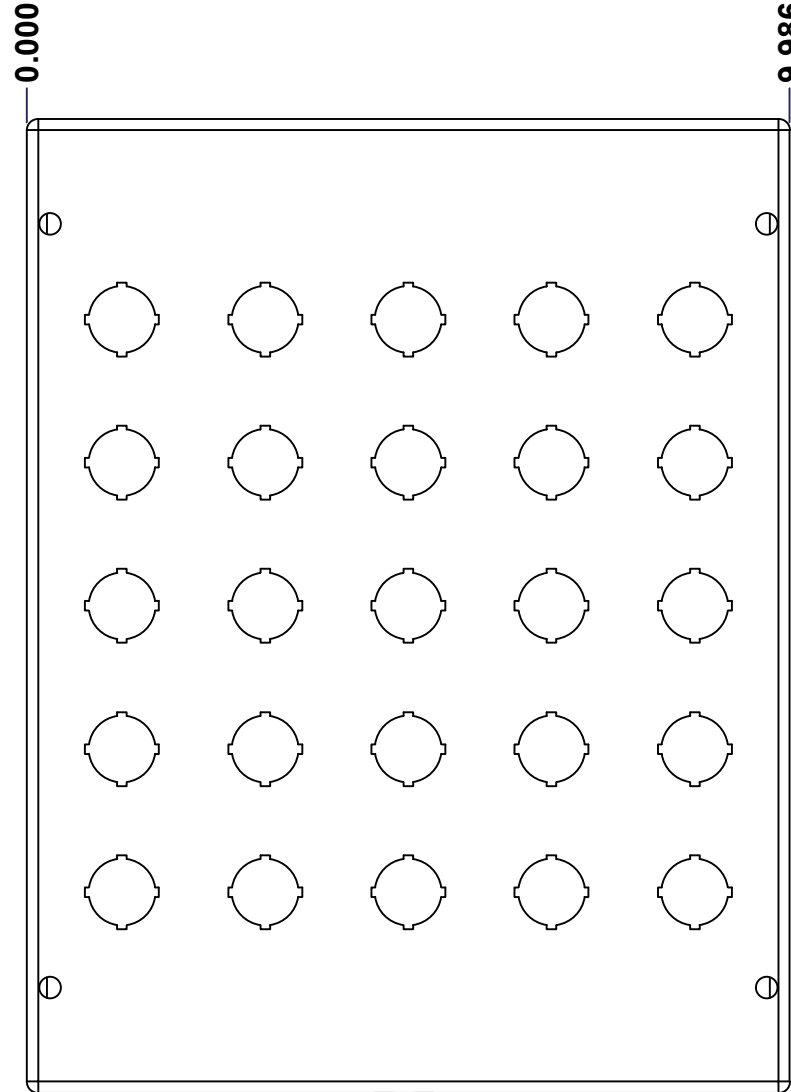
BACK



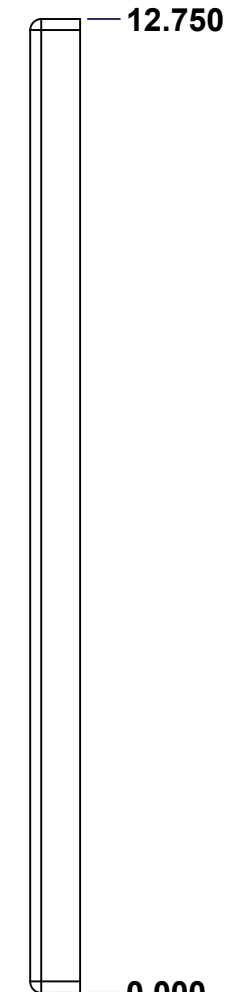
BOTTOM



LEFT

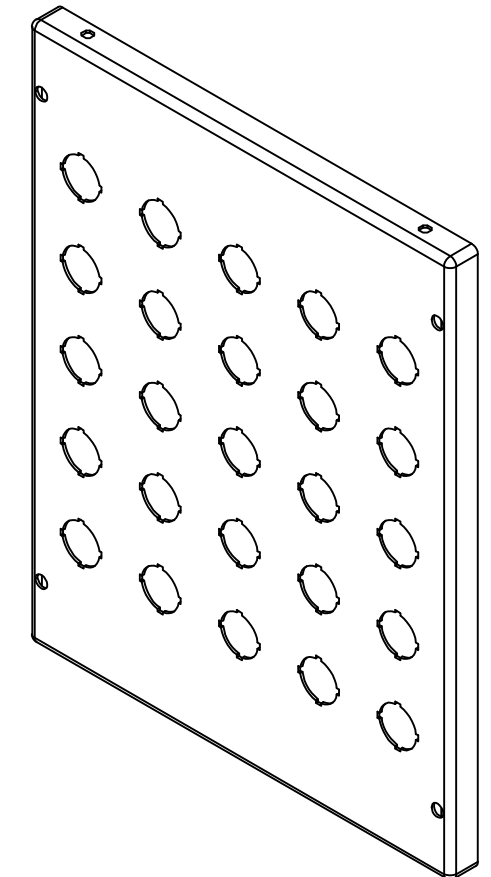


FRONT




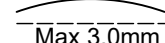

RIGHT

No.	Revisions	Date	By/Par



Isometric View



 Tél: (450) 979-4373 Fax: (450) 979-4626 www.exmweb.com		Flatness Aplatissement  Max 3.0mm Projection 
Customer Client	Date	
Drawn By Dessiné Par	BoxCad: BoxCad	Date 04-Sep-25
Material Matière	16 Ga Cold Rolled A1008 CS Type B (1.4mm)	
Color Couleur	Asa-61 Grey	Finish Fini Textured
Description		Detail Rev.
1412MN 12.75" x 9.75" Cover		
Part Number Numéro Pièce	Rev.	7
1412MN120904C	0	9

SEE BILL OF MATERIAL ON LAST PAGE

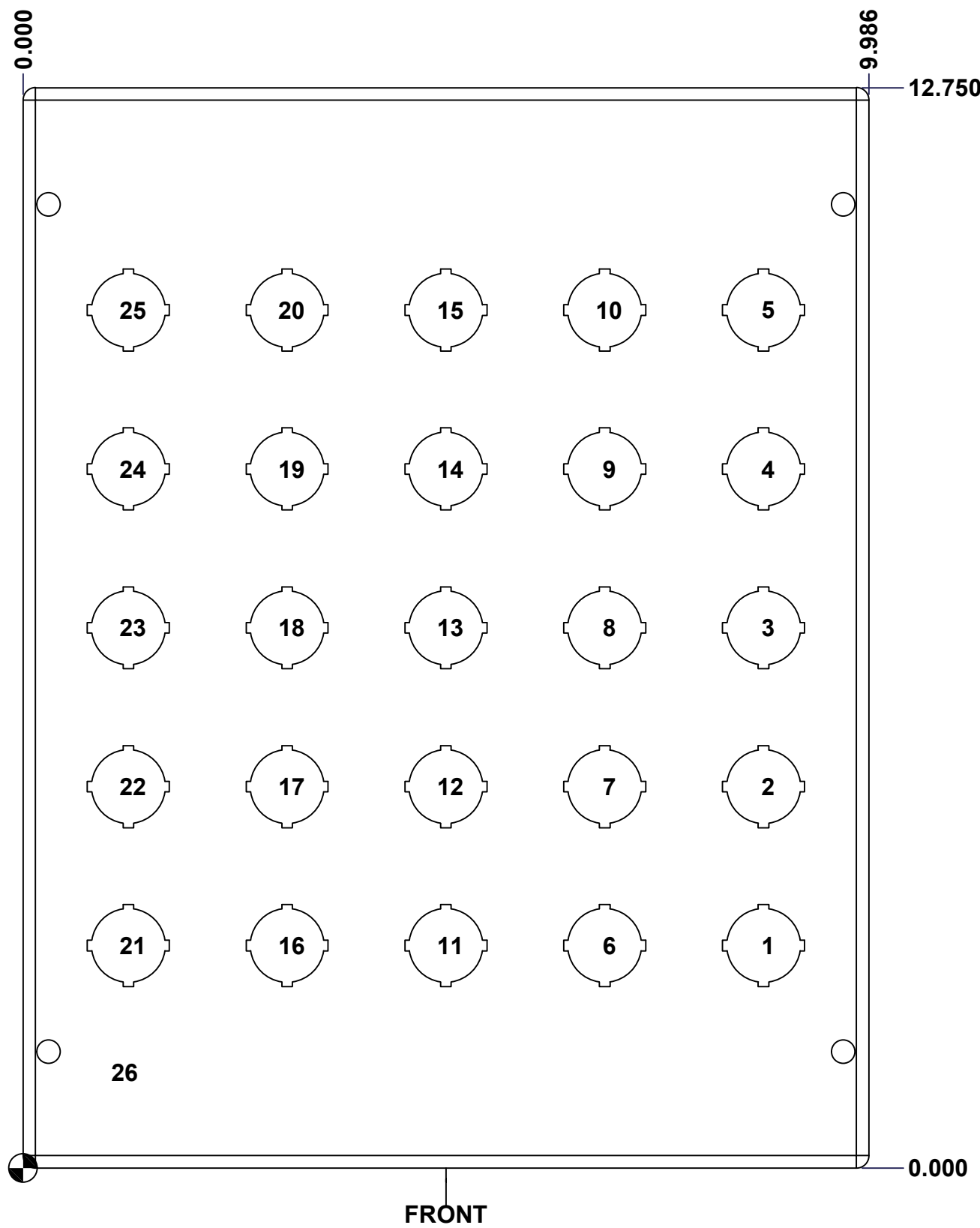
This drawing is confidential and must not be reproduced or used without the consent of EXM

Ce dessin est confidentiel et ne doit pas être reproduit ou utilisé sans le consentement de EXM

STANDARD FEATURES ARE NOT LISTED IN THIS HOLE TABLE

HOLE TABLE - FRONT VIEW (CUSTOM FEATURE ONLY)

CUT-OUT	XDIM	YDIM	DESCRIPTION
1	8.743	2.625	22.5 mm Miniature Pushbutton
2	8.743	4.500	22.5 mm Miniature Pushbutton
3	8.743	6.375	22.5 mm Miniature Pushbutton
4	8.743	8.250	22.5 mm Miniature Pushbutton
5	8.743	10.125	22.5 mm Miniature Pushbutton
6	6.868	2.625	22.5 mm Miniature Pushbutton
7	6.868	4.500	22.5 mm Miniature Pushbutton
8	6.868	6.375	22.5 mm Miniature Pushbutton
9	6.868	8.250	22.5 mm Miniature Pushbutton
10	6.868	10.125	22.5 mm Miniature Pushbutton
11	4.993	2.625	22.5 mm Miniature Pushbutton
12	4.993	4.500	22.5 mm Miniature Pushbutton
13	4.993	6.375	22.5 mm Miniature Pushbutton
14	4.993	8.250	22.5 mm Miniature Pushbutton
15	4.993	10.125	22.5 mm Miniature Pushbutton
16	3.118	2.625	22.5 mm Miniature Pushbutton
17	3.118	4.500	22.5 mm Miniature Pushbutton
18	3.118	6.375	22.5 mm Miniature Pushbutton
19	3.118	8.250	22.5 mm Miniature Pushbutton
20	3.118	10.125	22.5 mm Miniature Pushbutton
21	1.243	2.625	22.5 mm Miniature Pushbutton
22	1.243	4.500	22.5 mm Miniature Pushbutton
23	1.243	6.375	22.5 mm Miniature Pushbutton
24	1.243	8.250	22.5 mm Miniature Pushbutton
25	1.243	10.125	22.5 mm Miniature Pushbutton
26	1.145	1.125	STANDOFF M6 x 10mm (Inside)

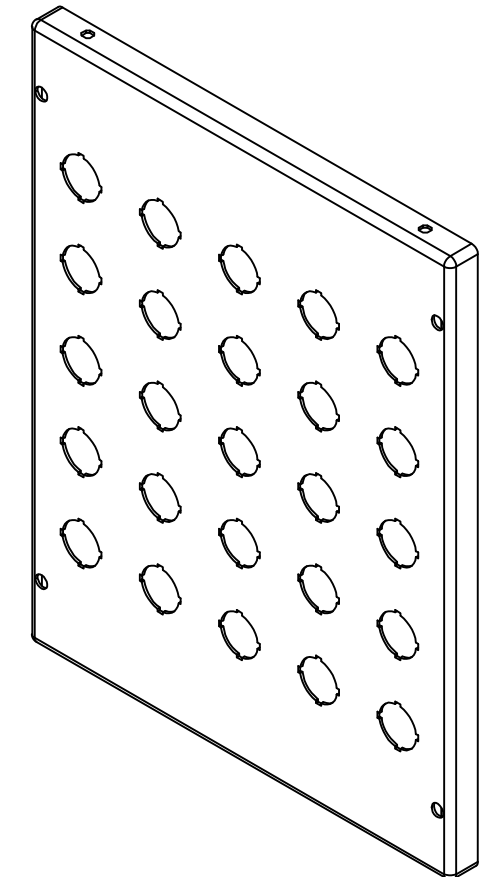


	Description 1412MN 12.75" x 9.75" Cover	Status (NULL)
	Part Number Numéro Pièce 1412MN120904C	Rev. 8 0 / 9

This drawing is confidential and must not be reproduced or used without the consent of EXM


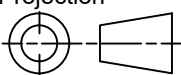
Ce dessin est confidentiel et ne doit pas être reproduit ou utilisé sans le consentement de EXM

No.	Revisions	Date	By/Par



Isometric View



 Tél: (450) 979-4373 Fax: (450) 979-4626 www.exmweb.com		Flatness Aplatissement Max 3.0mm Projection 
Customer Client	Date	
Drawn By Dessiné Par	BoxCad: BoxCad	Date 04-Sep-25
Material Matière	16 Ga Cold Rolled A1008 CS Type B (1.4mm)	
Color Couleur	Asa-61 Grey	Finish Fini Textured
Description		Detail Rev.
1412MN 12.75" x 9.75" Cover		
Part Number Numéro Pièce	Rev.	9
1412MN120904C	0	9

Qty	Part Number	Rev	Description
1	STK-Q-08350	5	Standoff M6 x 10mm
1	STK-P-02400R	0	Powder Paint (Asa-61 Grey / Rough Textured)
1	1412MN120904G	0	1412MN 12.75" x 9.75" Gasket
1	1412MN120904C-P	0	1412MN 12.75" x 9.75" Cover Part
Parts List			