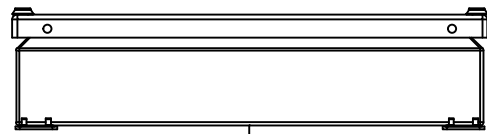
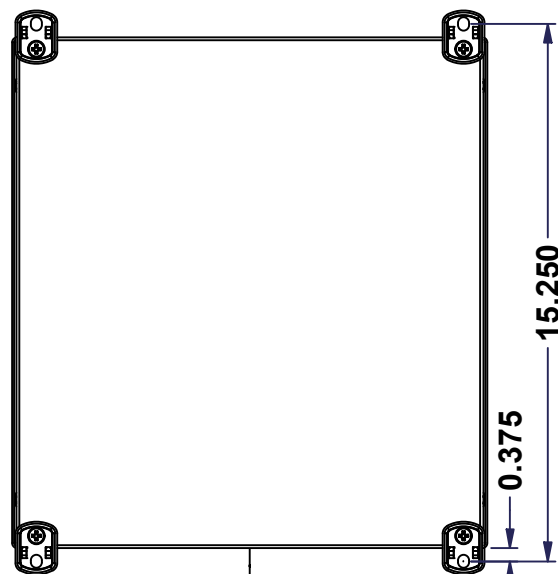


This drawing is confidential and must not be reproduced or used without the consent of EXM

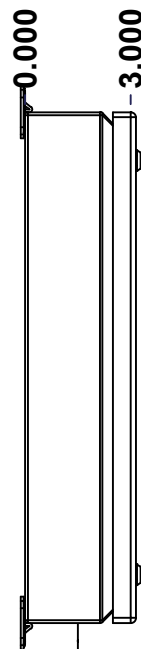
Ce dessin est confidentiel et ne doit pas être reproduit ou utilisé sans le consentement de EXM



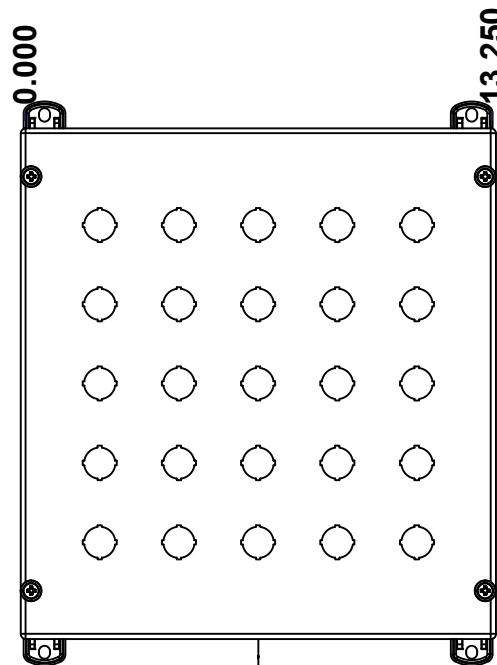
TOP



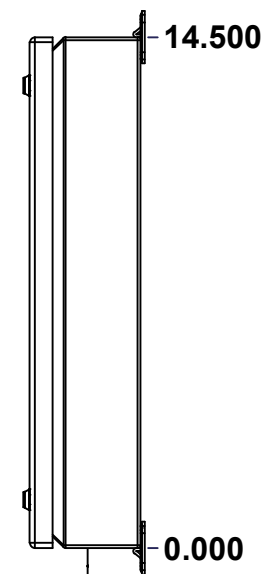
BACK



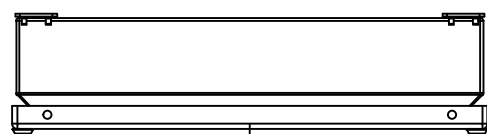
LEFT



FRONT

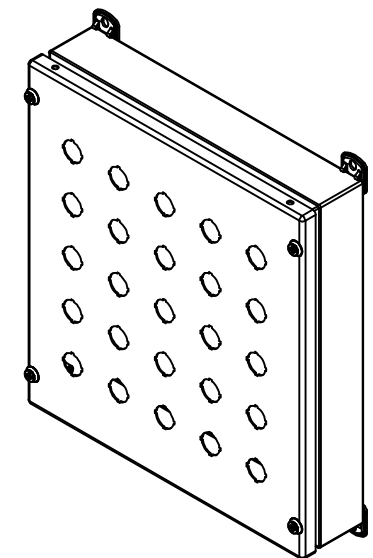


RIGHT



BOTTOM

No.	Revisions	Date	By/Par



Isometric View

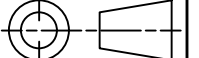


Tél: (450) 979-4373
 Fax: (450) 979-4626
www.exmweb.com

Flatness
Aplatissement

Max 3.0mm

Projection



Customer Client	Date
Drawn By Dessiné Par BoxCad: BoxCad	Date 18-Dec-23

Material
Matière 16 Ga Cold Rolled A1008 CS Type B (1.4mm)

Color
Couleur Asa-61 Grey

Finish
Fini Smooth

Description
1412SDMN 14.5" x 13.25" x 3" Assembly

Detail Rev.

Part Number Numéro Pièce	Rev.	1
1412SD141303MN	0	9

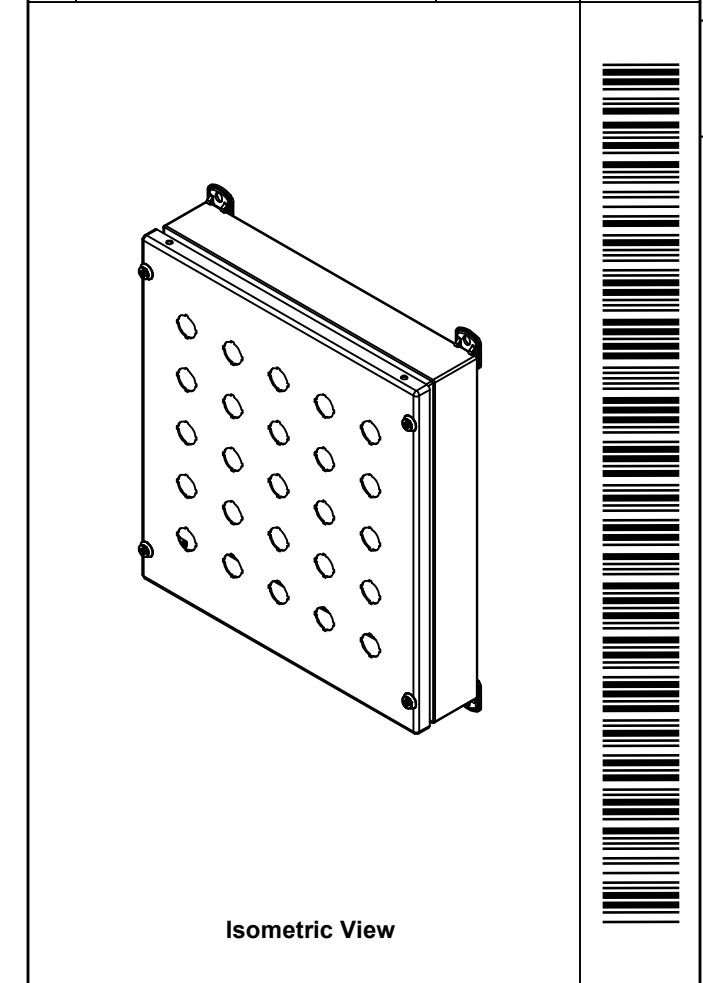
SEE BILL OF MATERIAL ON LAST PAGE


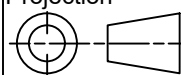
This drawing is confidential and must not be reproduced or used without the consent of EXM

Ce dessin est confidentiel et ne doit pas être reproduit ou utilisé sans le consentement de EXM

NOTE	
ITEM	DESCRIPTION
1	NEMA 4, 12 Enclosure (IP66)
2	C/W Standard ground standoffs on box and cover
3	W/O Standard door stiffener
4	W/O Inner panel
5	W/O Inner panel mounting standoffs
6	C/W 885 ESCHMF1 Mounting Feet (Installed)

No.	Revisions	Date	By/Par



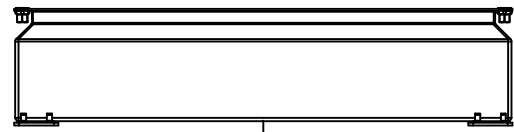
 Tél: (450) 979-4373 Fax: (450) 979-4626 www.exmweb.com	Flatness Aplatissement Max 3.0mm
	Projection 
Customer Client	Date
Drawn By Dessiné Par BoxCad: BoxCad	Date 18-Dec-23
Material Matière 16 Ga Cold Rolled A1008 CS Type B (1.4mm)	
Color Couleur Asa-61 Grey	Finish Fini Smooth
Description 1412SDMN 14.5" x 13.25" x 3" Assembly	Detail Rev.
Part Number Numéro Pièce 1412SD141303MN	Rev. 0

PACKING		
ITEM	QTY	DESCRIPTION
Cardboard sleeve	2	Top and Bottom
Cardboard strip	2	Between back of enclosure and inner panel
Plastic bag	1	To protect cover surface and inside gasket
Plastic strap - Black	2	To Squeeze the 2 cardboard sleeve together
Packaging label	1	White label with product number

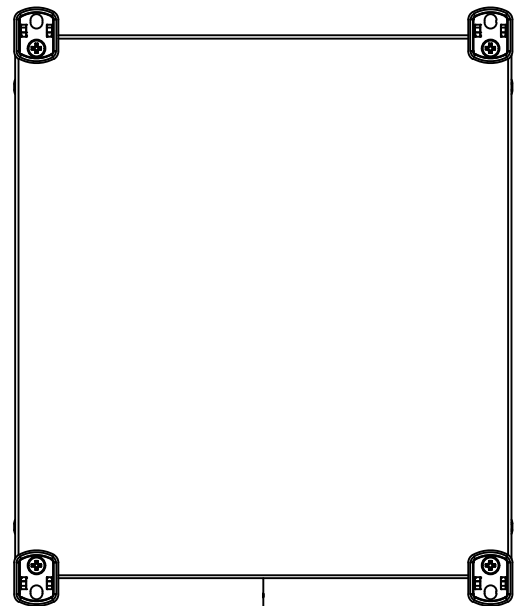
Qty	Part Number	Rev	Description
1	STK-K-02920	3	5412 ESSC Accessory Kit
1	1412SD141303MNC	0	1412SDMN 14.5" x 13.25" Cover
1	1412SD141303MNB	0	1412SDMN 14.5" x 13.25" x 3" Body
Parts List			

This drawing is confidential and must not be reproduced or used without the consent of EXM

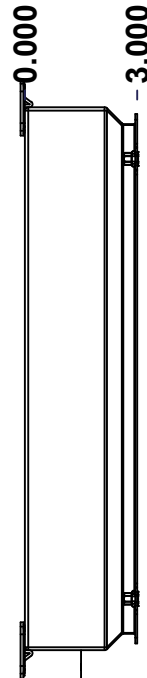
Ce dessin est confidentiel et ne doit pas être reproduit ou utilisé sans le consentement de EXM



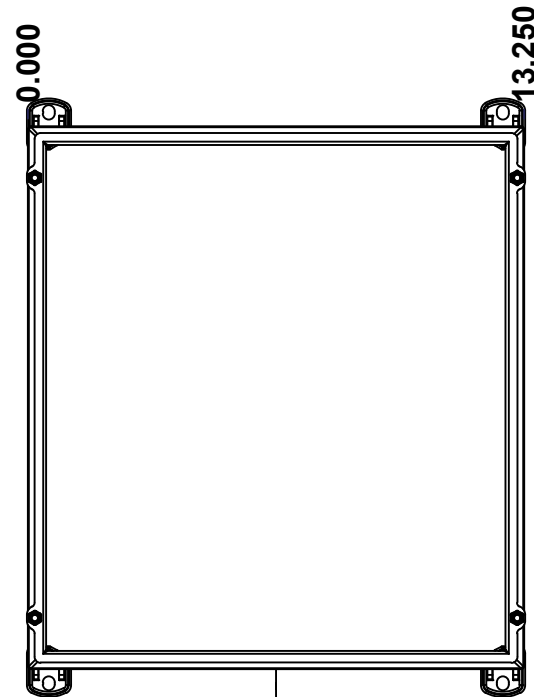
TOP



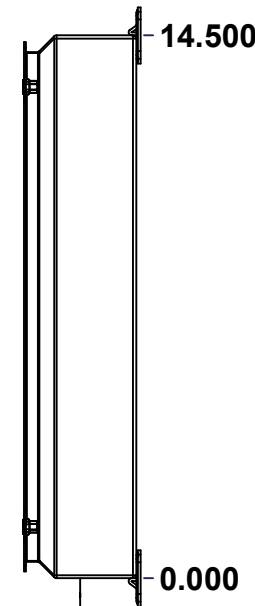
BACK



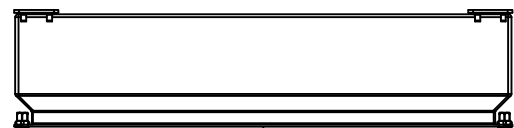
LEFT



FRONT

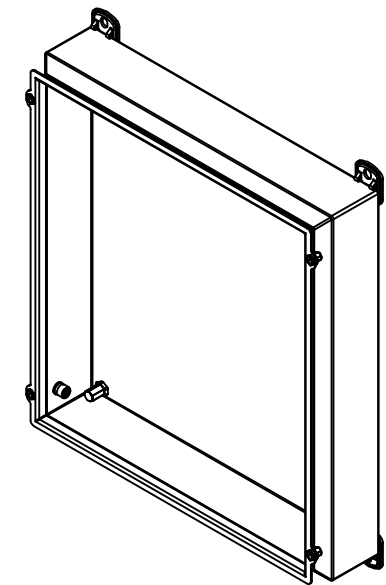


RIGHT



BOTTOM

No.	Revisions	Date	By/Par



Isometric View



Tél: (450) 979-4373
 Fax: (450) 979-4626
www.exmweb.com

Flatness
Aplatissement

Max 3.0mm

Projection



Customer Client	Date
Drawn By / Dessiné Par: BoxCad: BoxCad	Date: 18-Dec-23
Material / Matière: 16 Ga Cold Rolled A1008 CS Type B (1.4mm)	
Color / Couleur: Asa-61 Grey	Finish / Fini: Smooth
Description: 1412SDMN 14.5" x 13.25" x 3" Body	Detail Rev.
Part Number / Numéro Pièce: 1412SD141303MNB	Rev. 3
	0

SEE BILL OF MATERIAL ON LAST PAGE

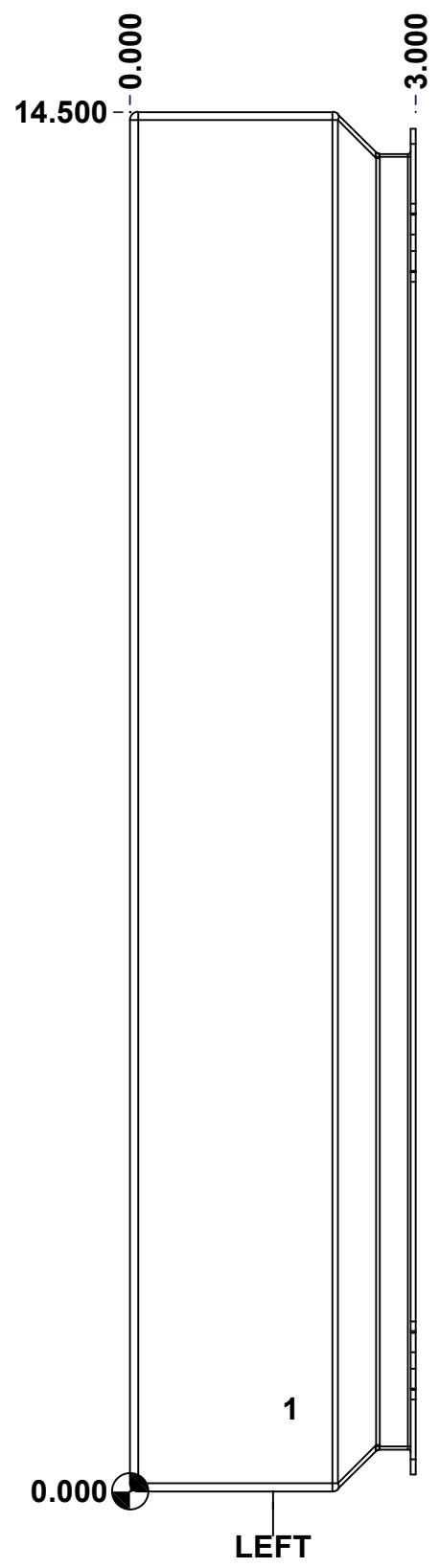
1412SD141303MNB

Rev. 3
0

This drawing is confidential and must not be reproduced or used without the consent of EXM

Ce dessin est confidentiel et ne doit pas être reproduit ou utilisé sans le consentement de EXM

STANDARD FEATURES ARE NOT LISTED IN THIS HOLE TABLE			
HOLE TABLE - LEFT VIEW (CUSTOM FEATURE ONLY)			
CUT-OUT	XDIM	YDIM	DESCRIPTION
1	1.625	0.875	STANDOFF M6 x 10mm (Inside)



	Description	Status	
	1412SDMN 14.5" x 13.25" x 3" Body	(NULL)	
	Part Number Numéro Pièce	Rev.	
	1412SD141303MNB	0	4 9

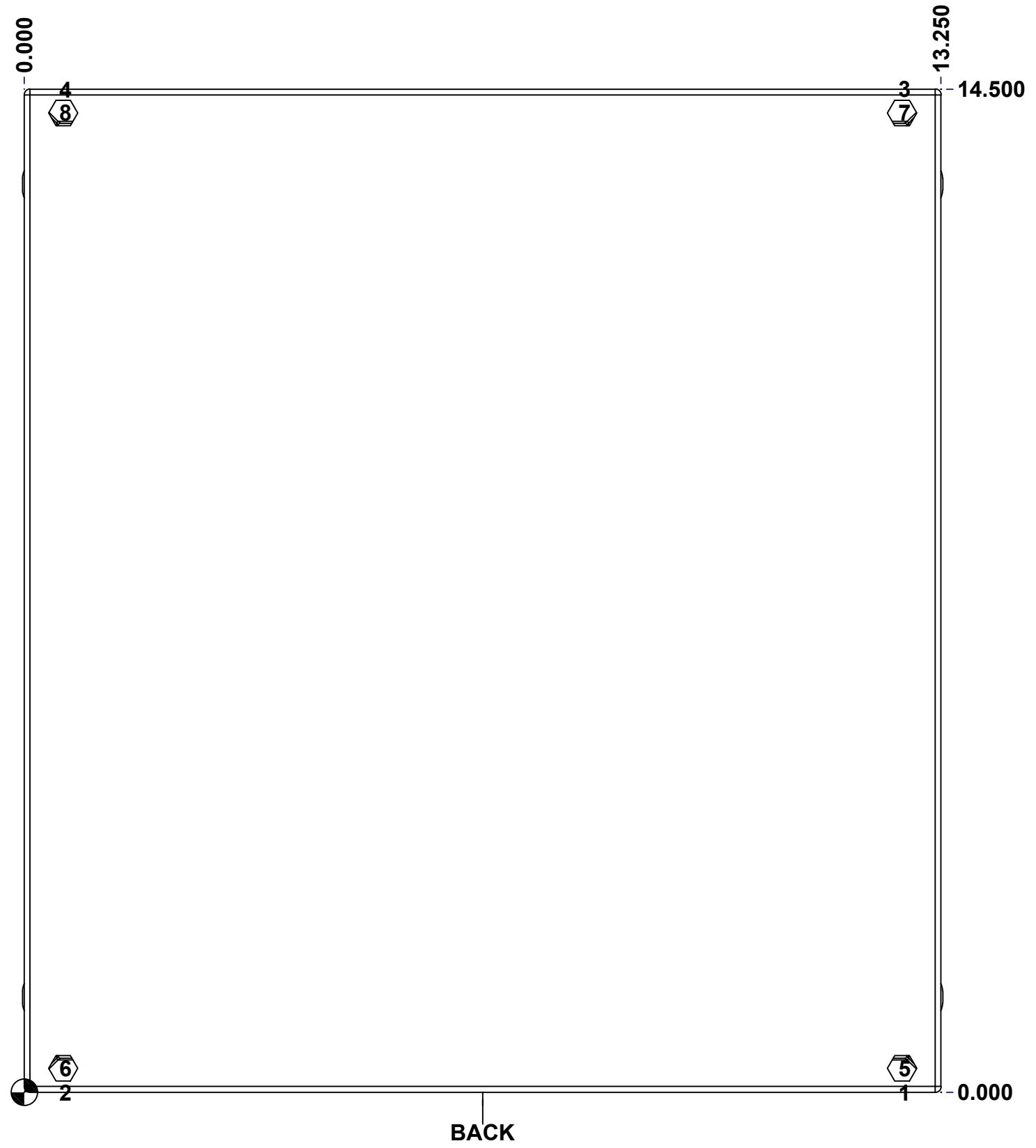
This drawing is confidential and must not be reproduced or used without the consent of EXM

Ce dessin est confidentiel et ne doit pas être reproduit ou utilisé sans le consentement de EXM

STANDARD FEATURES ARE NOT LISTED IN THIS HOLE TABLE

HOLE TABLE - BACK VIEW (CUSTOM FEATURE ONLY)

CUT-OUT	XDIM	YDIM	DESCRIPTION
1	12.687	0.000	FOOT 885 ESCHMF1
2	0.563	0.000	FOOT 885 ESCHMF1
3	12.687	14.500	FOOT 885 ESCHMF1
4	0.563	14.500	FOOT 885 ESCHMF1
5	12.687	0.344	RIVET NUT M6_FH_CE (Inside)
6	0.563	0.344	RIVET NUT M6_FH_CE (Inside)
7	12.687	14.156	RIVET NUT M6_FH_CE (Inside)
8	0.563	14.156	RIVET NUT M6_FH_CE (Inside)

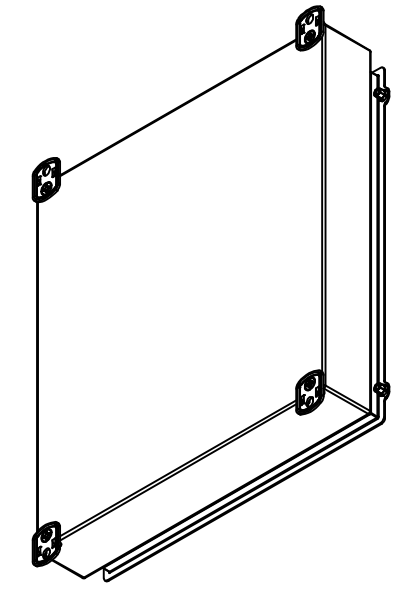


	Description	Status
	1412SDMN 14.5" x 13.25" x 3" Body	(NULL)
	Part Number	Rev.
	Numéro Pièce	5
	1412SD141303MNB	0
		9

This drawing is confidential and must not be reproduced or used without the consent of EXM


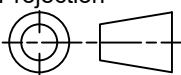
Ce dessin est confidentiel et ne doit pas être reproduit ou utilisé sans le consentement de EXM

No.	Revisions	Date	By/Par



Isometric View

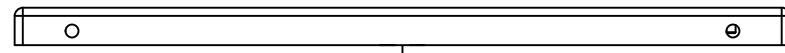


 Tél: (450) 979-4373 Fax: (450) 979-4626 www.exmweb.com		Flatness Aplatissement Max 3.0mm Projection 
Customer Client	Date	
Drawn By / Dessiné Par: BoxCad: BoxCad	Date: 18-Dec-23	
Material / Matière: 16 Ga Cold Rolled A1008 CS Type B (1.4mm)	Color / Couleur: Asa-61 Grey	
Description: 1412SDMN 14.5" x 13.25" x 3" Body		Finish / Fini: Smooth
Part Number / Numéro Pièce: 1412SD141303MNB	Rev.:	6
		9

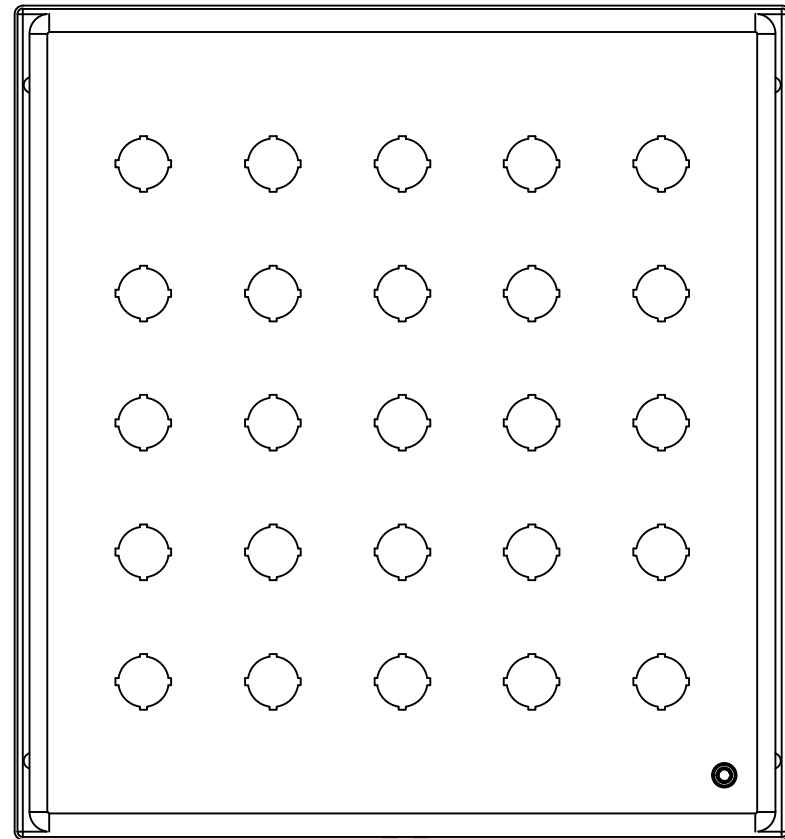
Qty	Part Number	Rev	Description
4	STK-Q-03071	0	M6 x 16mm Machine Screw
4	RIVET_NUT_M6_FH_CE	0	Rivet Nut M6 (Low Profile Close End)
4	885 ESCHMF1	2	5412 ESCH Stamped Mounting Foot
1	STK-P-02400S	0	Powder Paint (Asa-61 Grey / Smooth)
1	1412SD141303MNB-P	0	1412SDMN 14.5" x 13.25" x 3" Body Part
1	STK-Q-08350	5	Standoff M6 x 10mm
4	RIVET_NUT_M5_FH_OE	0	Rivet Nut M5 (Low Profile Open End)
Parts List			

This drawing is confidential and must not be reproduced or used without the consent of EXM

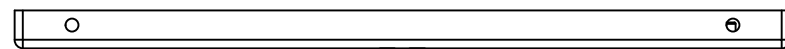
Ce dessin est confidentiel et ne doit pas être reproduit ou utilisé sans le consentement de EXM



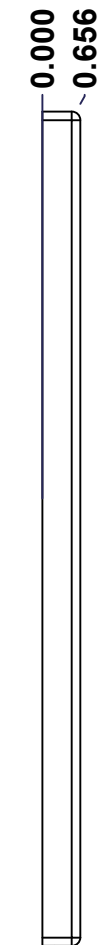
TOP



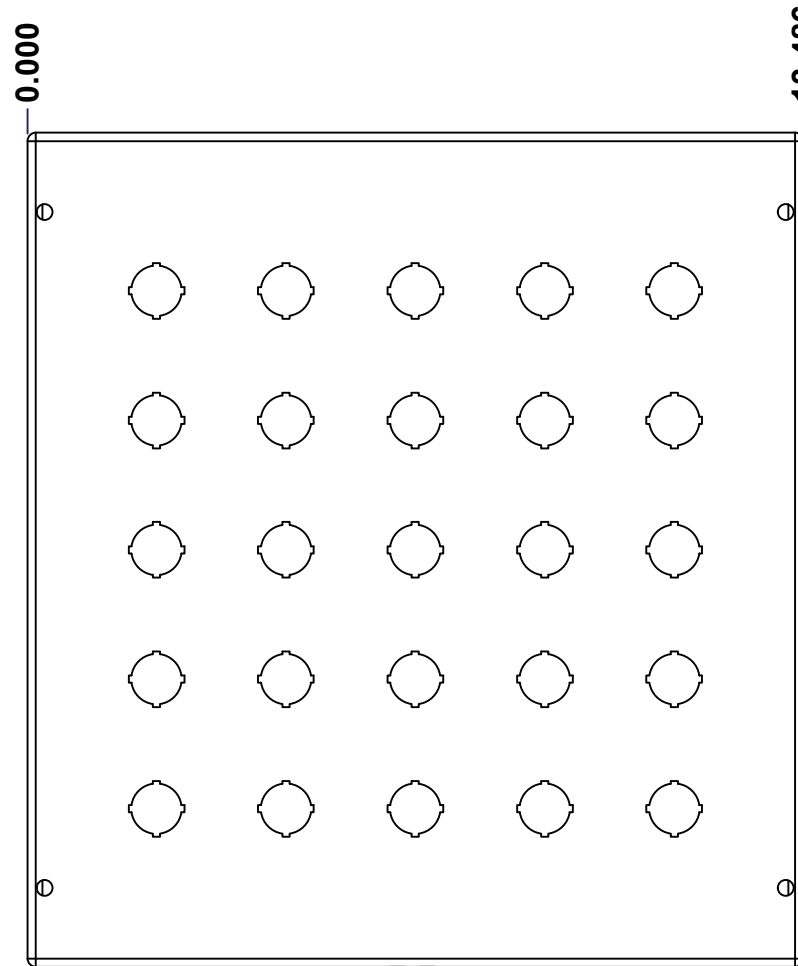
BACK



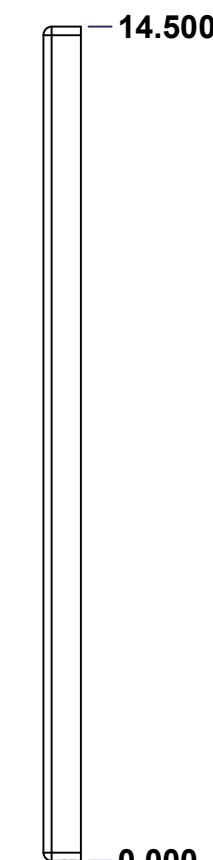
BOTTOM



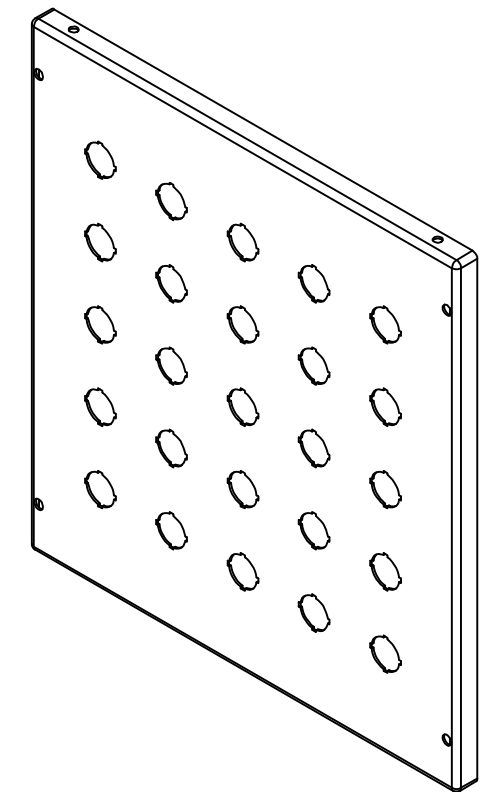
LEFT



FRONT




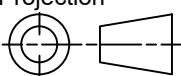
RIGHT



Isometric View



No.	Revisions	Date	By/Par

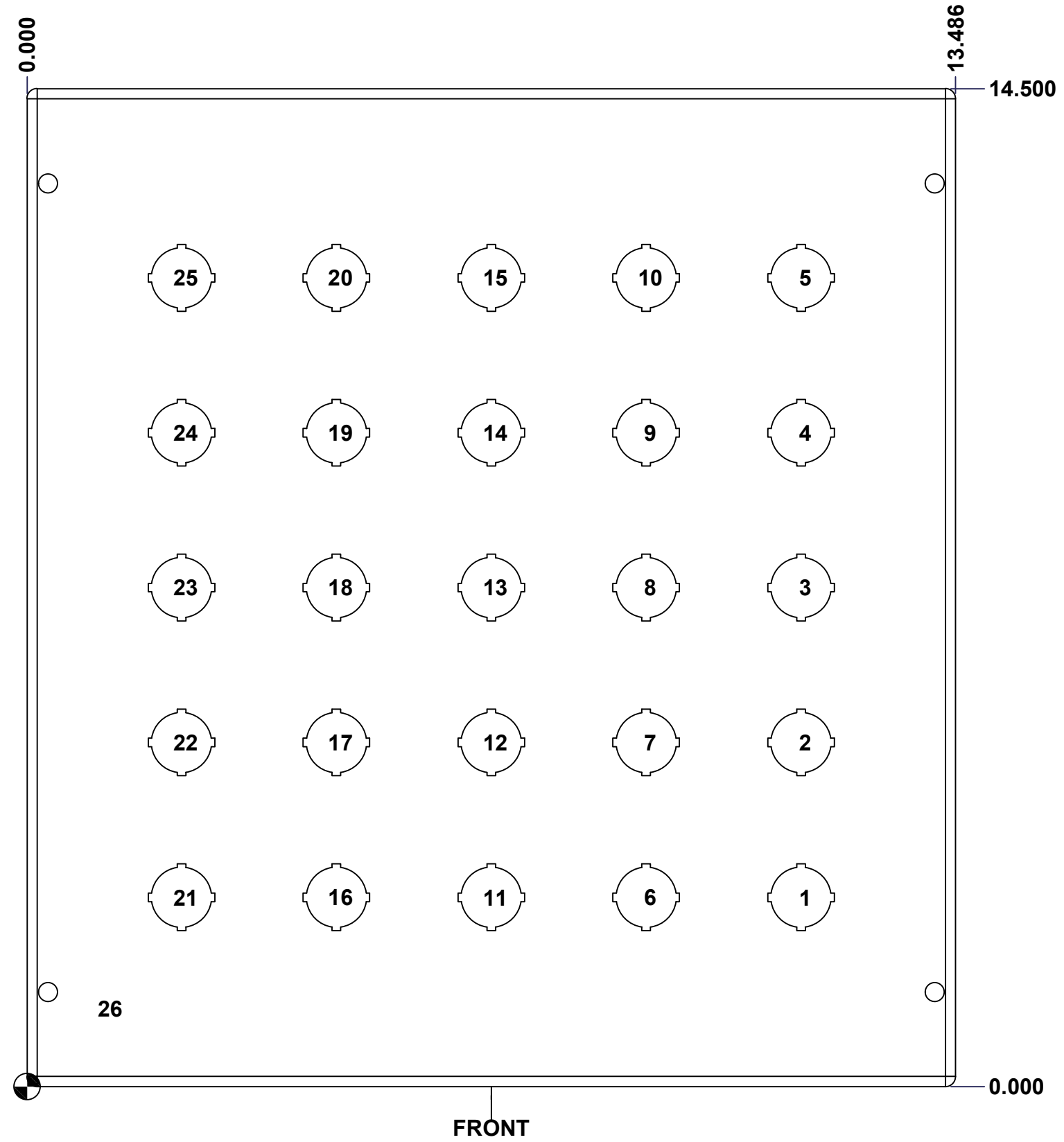
 Tél: (450) 979-4373 Fax: (450) 979-4626 www.exmweb.com		Flatness Aplatissement Max 3.0mm Projection 
Customer Client	Date	
Drawn By Dessiné Par	BoxCad: BoxCad	Date 18-Dec-23
Material Matière	16 Ga Cold Rolled A1008 CS Type B (1.4mm)	
Color Couleur	Asa-61 Grey	Finish Fini Smooth
Description 1412SDMN 14.5" x 13.25" Cover		Detail Rev.
Part Number Numéro Pièce	1412SD141303MNC	Rev. 7 0

SEE BILL OF MATERIAL ON LAST PAGE

This drawing is confidential and must not be reproduced or used without the consent of EXM

Ce dessin est confidentiel et ne doit pas être reproduit ou utilisé sans le consentement de EXM

STANDARD FEATURES ARE NOT LISTED IN THIS HOLE TABLE			
HOLE TABLE - FRONT VIEW (CUSTOM FEATURE ONLY)			
CUT-OUT	XDIM	YDIM	DESCRIPTION
1	11.243	2.750	22.5 mm Miniature Pushbutton
2	11.243	5.000	22.5 mm Miniature Pushbutton
3	11.243	7.250	22.5 mm Miniature Pushbutton
4	11.243	9.500	22.5 mm Miniature Pushbutton
5	11.243	11.750	22.5 mm Miniature Pushbutton
6	8.993	2.750	22.5 mm Miniature Pushbutton
7	8.993	5.000	22.5 mm Miniature Pushbutton
8	8.993	7.250	22.5 mm Miniature Pushbutton
9	8.993	9.500	22.5 mm Miniature Pushbutton
10	8.993	11.750	22.5 mm Miniature Pushbutton
11	6.743	2.750	22.5 mm Miniature Pushbutton
12	6.743	5.000	22.5 mm Miniature Pushbutton
13	6.743	7.250	22.5 mm Miniature Pushbutton
14	6.743	9.500	22.5 mm Miniature Pushbutton
15	6.743	11.750	22.5 mm Miniature Pushbutton
16	4.493	2.750	22.5 mm Miniature Pushbutton
17	4.493	5.000	22.5 mm Miniature Pushbutton
18	4.493	7.250	22.5 mm Miniature Pushbutton
19	4.493	9.500	22.5 mm Miniature Pushbutton
20	4.493	11.750	22.5 mm Miniature Pushbutton
21	2.243	2.750	22.5 mm Miniature Pushbutton
22	2.243	5.000	22.5 mm Miniature Pushbutton
23	2.243	7.250	22.5 mm Miniature Pushbutton
24	2.243	9.500	22.5 mm Miniature Pushbutton
25	2.243	11.750	22.5 mm Miniature Pushbutton
26	1.145	1.125	STANDOFF M6 x 10mm (Inside)

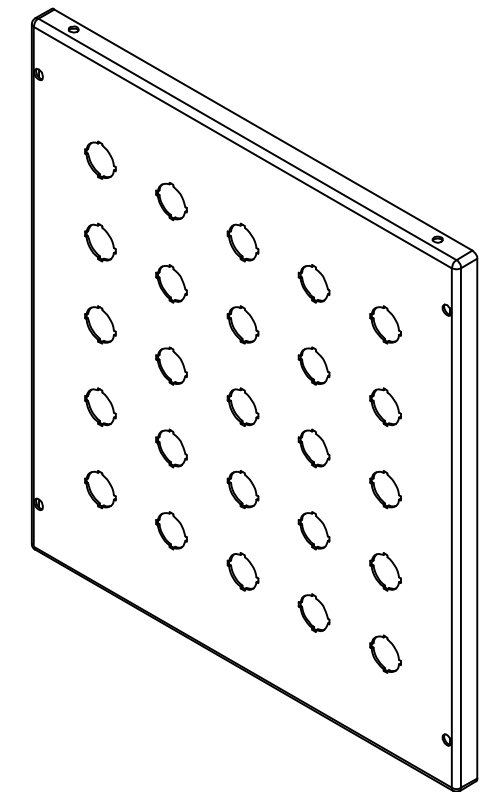


	Description 1412SDMN 14.5" x 13.25" Cover	Status (NULL)
	Part Number Numéro Pièce 1412SD141303MNC	Rev. 8 0 / 9

This drawing is confidential and must not be reproduced or used without the consent of EXM


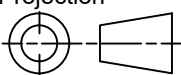
Ce dessin est confidentiel et ne doit pas être reproduit ou utilisé sans le consentement de EXM

No.	Revisions	Date	By/Par



Isometric View



 Tél: (450) 979-4373 Fax: (450) 979-4626 www.exmweb.com		Flatness Aplatissement Max 3.0mm Projection 
Customer Client	Date	
Drawn By / Dessiné Par: BoxCad: BoxCad	Date: 18-Dec-23	
Material / Matière: 16 Ga Cold Rolled A1008 CS Type B (1.4mm)		
Color / Couleur: Asa-61 Grey	Finish / Fini: Smooth	
Description: 1412SDMN 14.5" x 13.25" Cover		Detail Rev.
Part Number / Numéro Pièce: 1412SD141303MNC		Rev. 0 / 9

Qty	Part Number	Rev	Description
1	STK-Q-08350	5	Standoff M6 x 10mm
1	STK-P-02400S	0	Powder Paint (Asa-61 Grey / Smooth)
1	1412SD141303MNG	0	1412SD 14.5" x 13.25" Gasket
1	1412SD141303MNC-P	0	1412SDMN 14.5" x 13.25" Cover Part
Parts List			