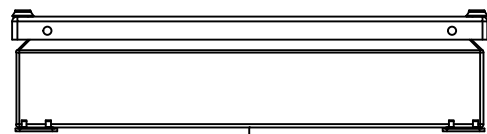
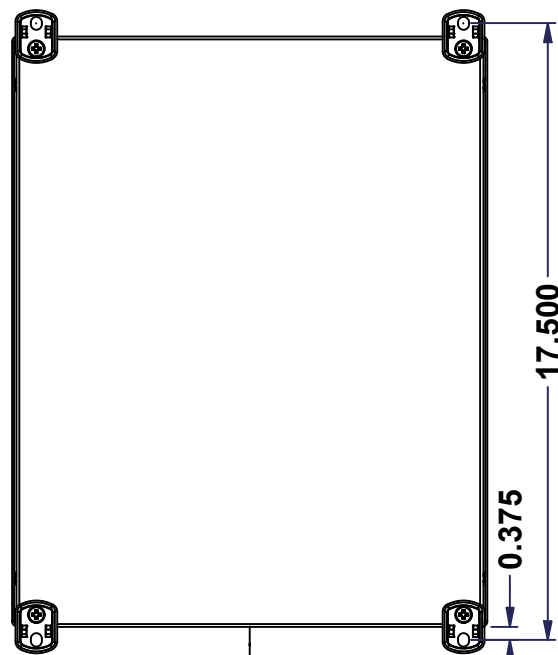


This drawing is confidential and must not be reproduced or used without the consent of EXM

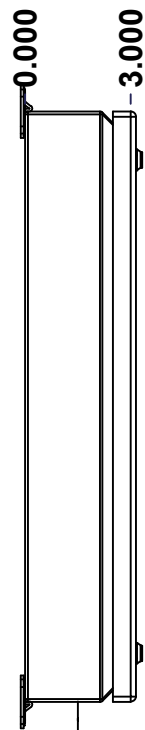
Ce dessin est confidentiel et ne doit pas être reproduit ou utilisé sans le consentement de EXM



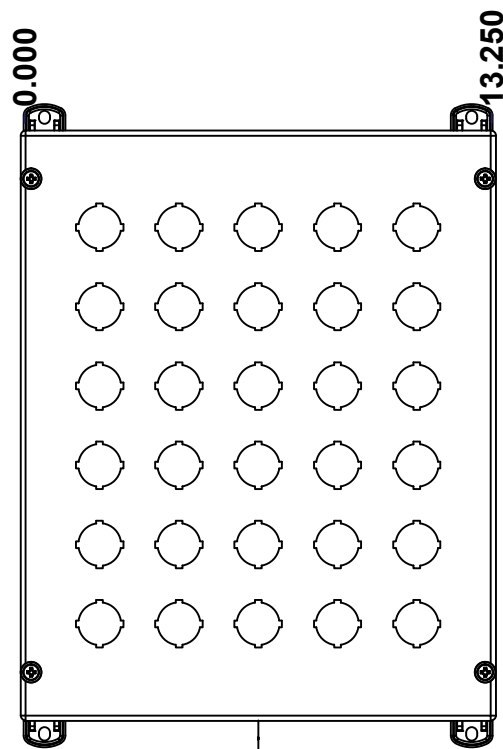
TOP



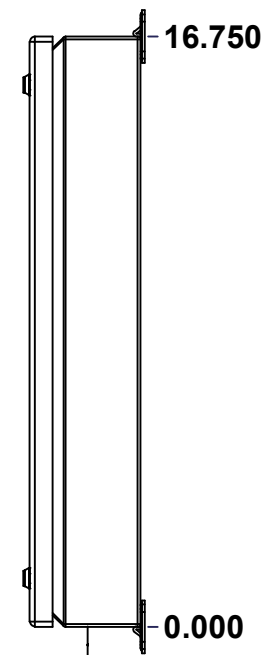
BACK



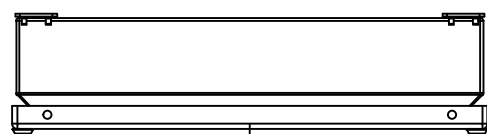
LEFT



FRONT

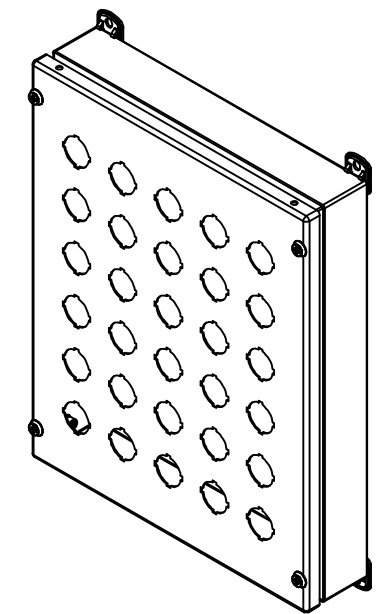


RIGHT



BOTTOM

No.	Revisions	Date	By/Par



Isometric View



Tél: (450) 979-4373
 Fax: (450) 979-4626
www.exmweb.com

Flatness
Aplatissement
Max 3.0mm
Projection

Customer Client	Date
Drawn By Dessiné Par BoxCad: BoxCad	Date 21-Jul-25
Material Matière 16 Ga Cold Rolled A1008 CS Type B (1.4mm)	
Color Couleur Asa-61 Grey	Finish Fini Smooth
Description 1412SD 16.75" x 13.25" x 3" Assembly	Detail Rev.
Part Number Numéro Pièce 1412SD161303	Rev. 0

SEE BILL OF MATERIAL ON LAST PAGE

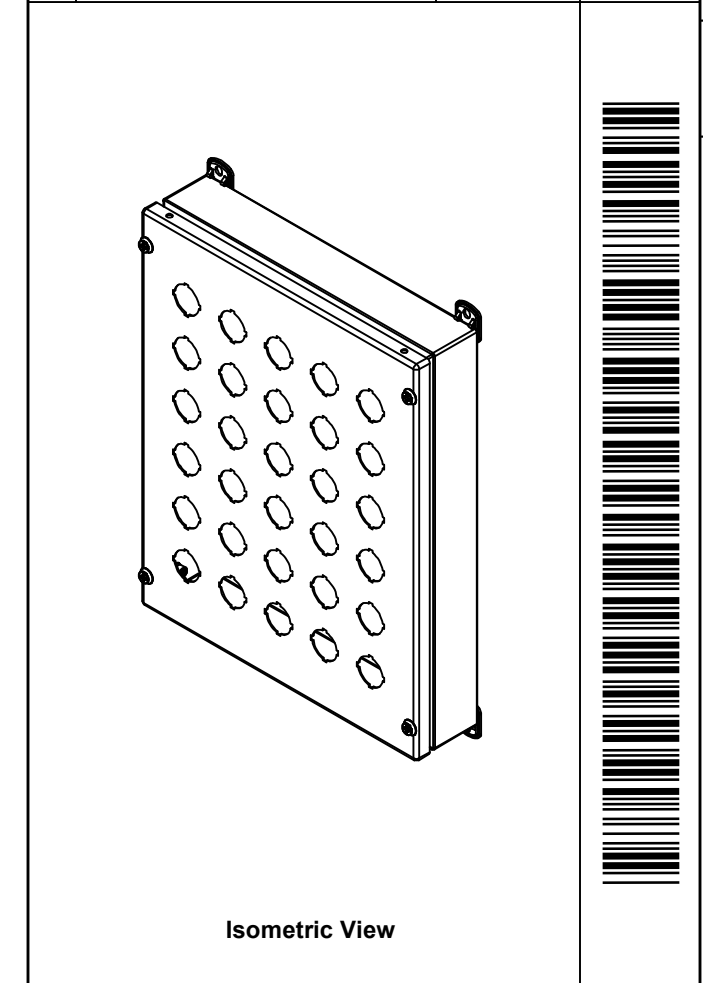
1
9


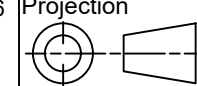
This drawing is confidential and must not be reproduced or used without the consent of EXM

Ce dessin est confidentiel et ne doit pas être reproduit ou utilisé sans le consentement de EXM

NOTE	
ITEM	DESCRIPTION
1	NEMA 4, 12 Enclosure (IP66)
2	C/W Standard ground standoffs on box and cover
3	W/O Standard door stiffener
4	W/O Inner panel
5	W/O Inner panel mounting standoffs
6	C/W 885 ESCHMF1 Mounting Feet (Installed)

No.	Revisions	Date	By/Par



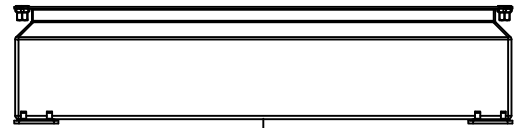
 Tél: (450) 979-4373 Fax: (450) 979-4626 www.exmweb.com	Flatness Aplatissement Max 3.0mm
	Projection 
Customer Client	Date
Drawn By Dessiné Par BoxCad: BoxCad	Date 21-Jul-25
Material Matière 16 Ga Cold Rolled A1008 CS Type B (1.4mm)	
Color Couleur Asa-61 Grey	Finish Fini Smooth
Description 1412SD 16.75" x 13.25" x 3" Assembly	
Part Number Numéro Pièce 1412SD161303	Rev. 2 0 / 9

PACKING		
ITEM	QTY	DESCRIPTION
Cardboard sleeve	2	Top and Bottom
Cardboard strip	2	Between back of enclosure and inner panel
Plastic bag	1	To protect cover surface and inside gasket
Plastic strap - Black	2	To Squeeze the 2 cardboard sleeve together
Packaging label	1	White label with product number

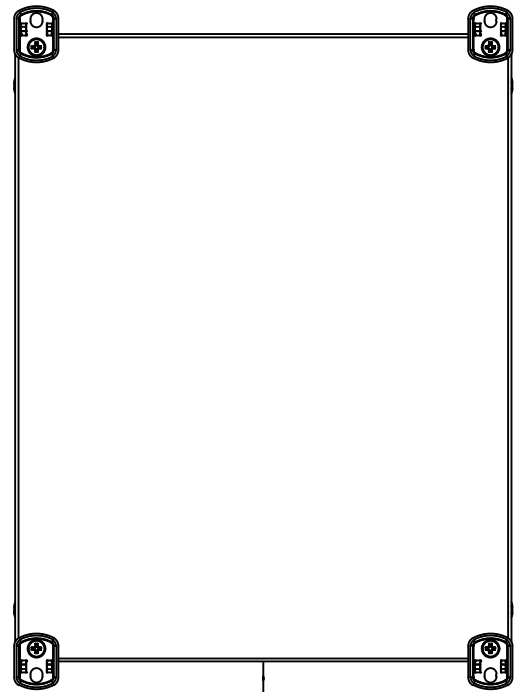
Qty	Part Number	Rev	Description
1	STK-K-02920	3	5412 ESSC Accessory Kit
1	1412SD161303C	0	1412SD 16.75" x 13.25" Cover
1	1412SD161303B	0	1412SD 16.75" x 13.25" x 3" Body
Parts List			

This drawing is confidential and must not be reproduced or used without the consent of EXM

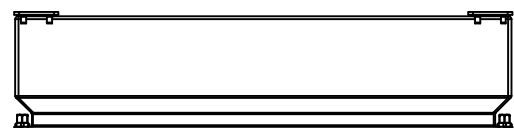
Ce dessin est confidentiel et ne doit pas être reproduit ou utilisé sans le consentement de EXM



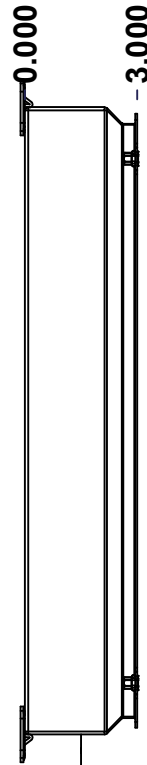
TOP



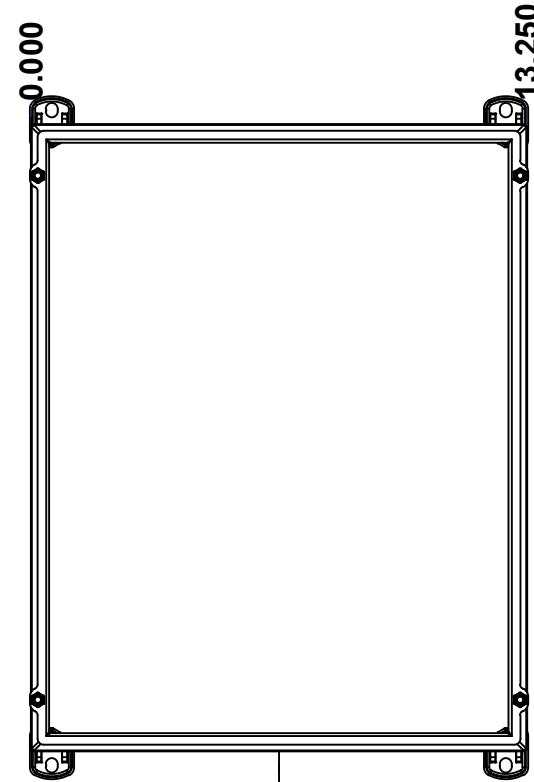
BACK



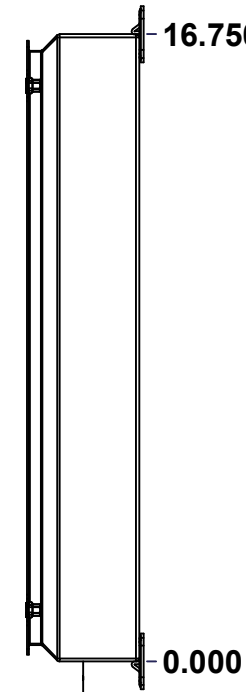
BOTTOM



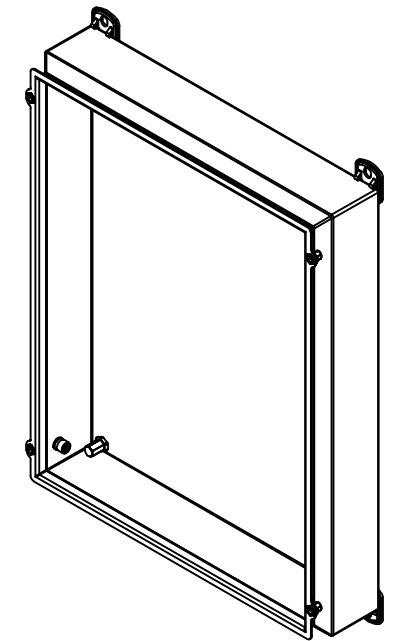
LEFT



FRONT




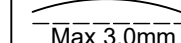
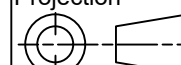
RIGHT



Isometric View



No.	Revisions	Date	By/Par

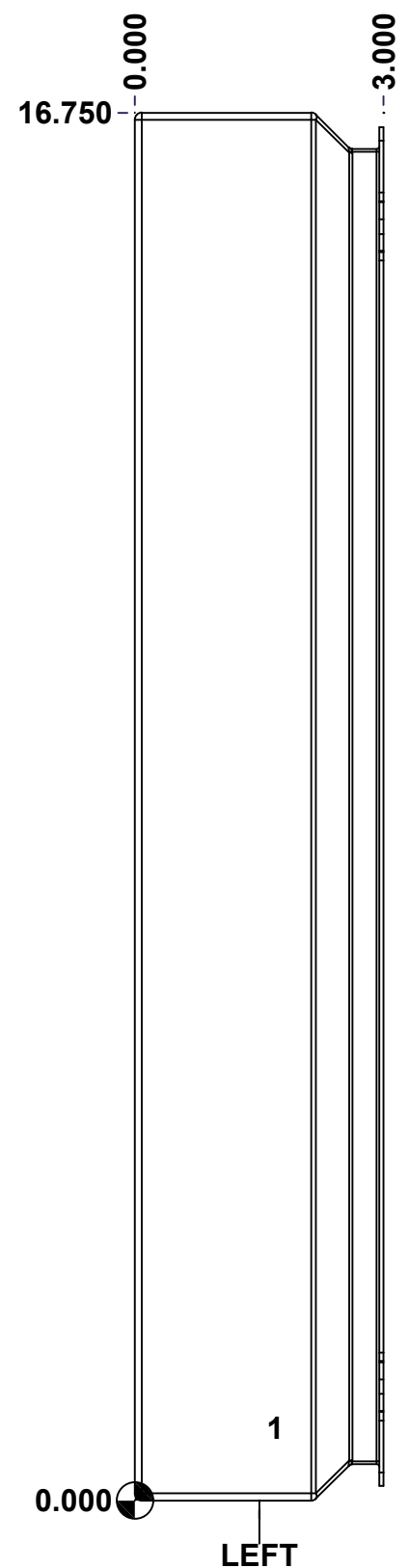
 Tél: (450) 979-4373 Fax: (450) 979-4626 www.exmweb.com		Flatness Aplatissement  Max 3.0mm Projection 
Customer Client	Date	
Drawn By Dessiné Par	BoxCad: BoxCad	Date 21-Jul-25
Material Matière	16 Ga Cold Rolled A1008 CS Type B (1.4mm)	
Color Couleur	Asa-61 Grey	Finish Fini Smooth
Description	Detail Rev.	
1412SD 16.75" x 13.25" x 3" Body		
Part Number Numéro Pièce	Rev.	3
1412SD161303B	0	9

SEE BILL OF MATERIAL ON LAST PAGE

This drawing is confidential and must not be reproduced or used without the consent of EXM

Ce dessin est confidentiel et ne doit pas être reproduit ou utilisé sans le consentement de EXM

STANDARD FEATURES ARE NOT LISTED IN THIS HOLE TABLE			
HOLE TABLE - LEFT VIEW (CUSTOM FEATURE ONLY)			
CUT-OUT	XDIM	YDIM	DESCRIPTION
1	1.625	0.875	STANDOFF M6 x 10mm (Inside)



	Description	Status	
	1412SD 16.75" x 13.25" x 3" Body	(NULL)	
	Part Number Numéro Pièce	Rev.	
	1412SD161303B	0	4 9

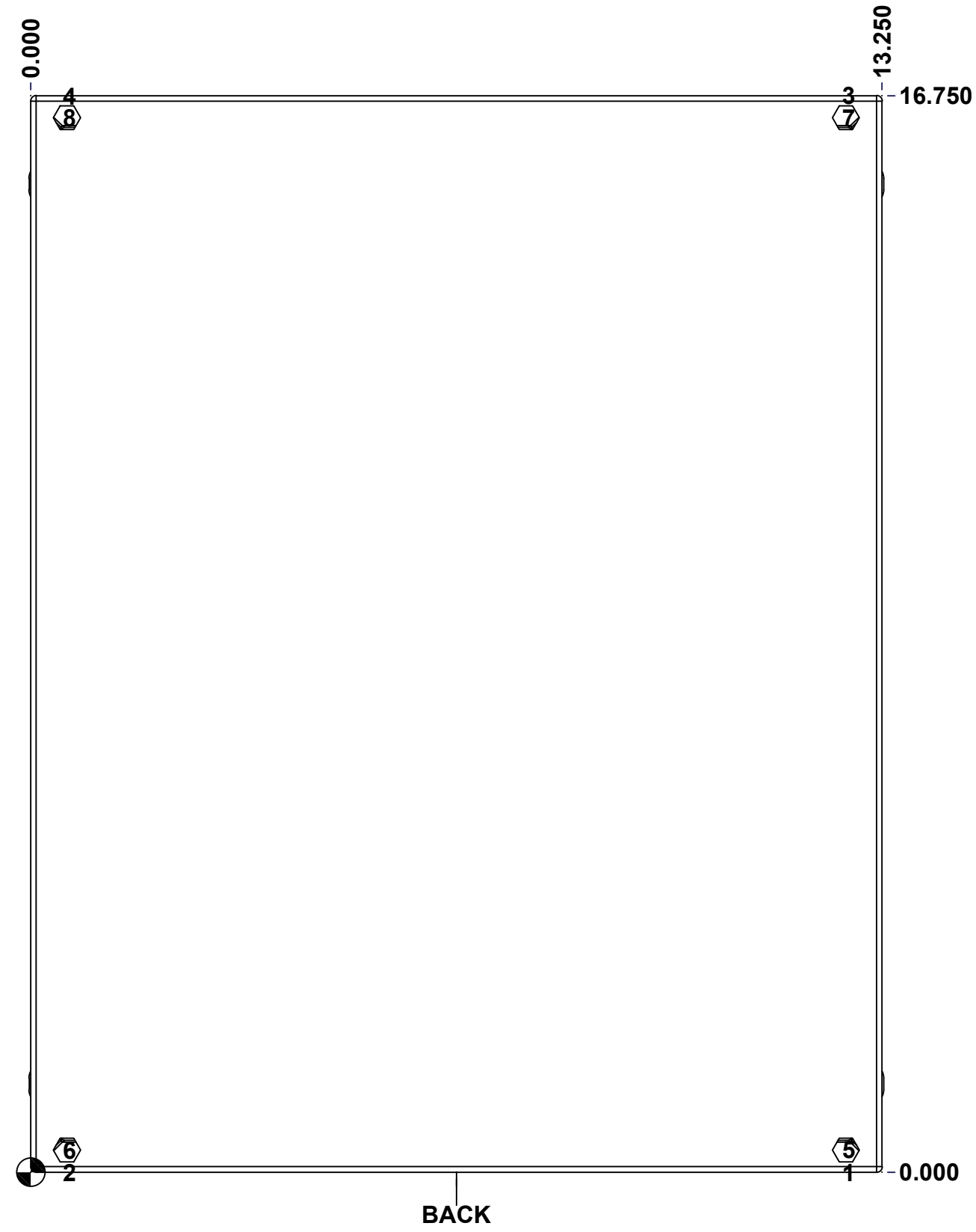
This drawing is confidential and must not be reproduced or used without the consent of EXM

Ce dessin est confidentiel et ne doit pas être reproduit ou utilisé sans le consentement de EXM

STANDARD FEATURES ARE NOT LISTED IN THIS HOLE TABLE

HOLE TABLE - BACK VIEW (CUSTOM FEATURE ONLY)

CUT-OUT	XDIM	YDIM	DESCRIPTION
1	12.687	0.000	FOOT 885 ESCHMF1
2	0.563	0.000	FOOT 885 ESCHMF1
3	12.687	16.750	FOOT 885 ESCHMF1
4	0.563	16.750	FOOT 885 ESCHMF1
5	12.687	0.344	RIVET NUT M6_FH_CE (Inside)
6	0.563	0.344	RIVET NUT M6_FH_CE (Inside)
7	12.687	16.406	RIVET NUT M6_FH_CE (Inside)
8	0.563	16.406	RIVET NUT M6_FH_CE (Inside)

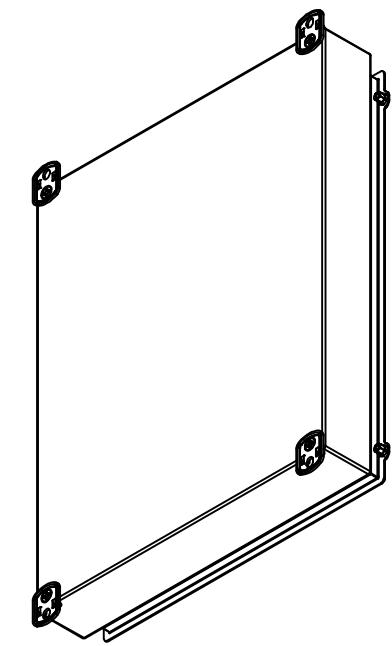


	Description	Status	
	1412SD 16.75" x 13.25" x 3" Body	(NULL)	
	Part Number	Rev.	5
	Numéro Pièce	0	9
		1412SD161303B	

This drawing is confidential and must not be reproduced or used without the consent of EXM


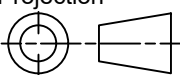
Ce dessin est confidentiel et ne doit pas être reproduit ou utilisé sans le consentement de EXM

No.	Revisions	Date	By/Par



Isometric View

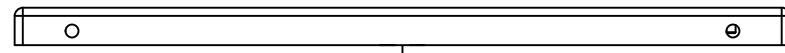


 Tél: (450) 979-4373 Fax: (450) 979-4626 www.exmweb.com		Flatness Aplatissement Max 3.0mm Projection 
Customer Client	Date	
Drawn By Dessiné Par	BoxCad: BoxCad	Date 21-Jul-25
Material Matière	16 Ga Cold Rolled A1008 CS Type B (1.4mm)	
Color Couleur	Asa-61 Grey	Finish Fini Smooth
Description		Detail Rev.
1412SD 16.75" x 13.25" x 3" Body		
Part Number Numéro Pièce	Rev.	6
1412SD161303B	0	9

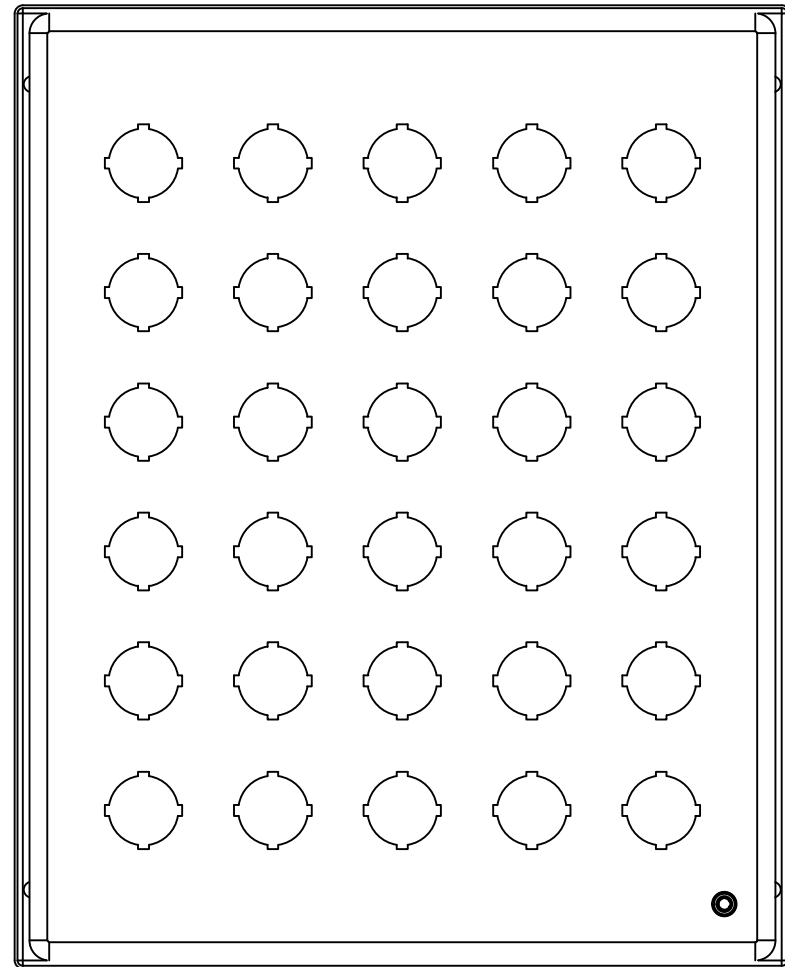
Qty	Part Number	Rev	Description
4	STK-Q-03071	0	M6 x 16mm Machine Screw
4	RIVET_NUT_M6_FH_CE	0	Rivet Nut M6 (Low Profile Close End)
4	885 ESCHMF1	2	5412 ESCH Stamped Mounting Foot
1	STK-P-02400S	0	Powder Paint (Asa-61 Grey / Smooth)
1	1412SD161303B-P	0	1412SD 16.75" x 13.25" x 3" Body Part
1	STK-Q-08350	5	Standoff M6 x 10mm
4	RIVET_NUT_M5_FH_OE	0	Rivet Nut M5 (Low Profile Open End)
Parts List			

This drawing is confidential and must not be reproduced or used without the consent of EXM

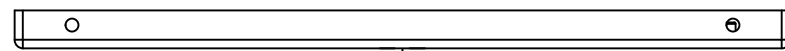
Ce dessin est confidentiel et ne doit pas être reproduit ou utilisé sans le consentement de EXM



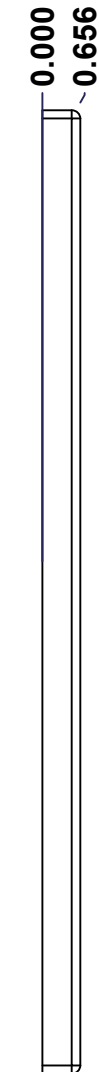
TOP



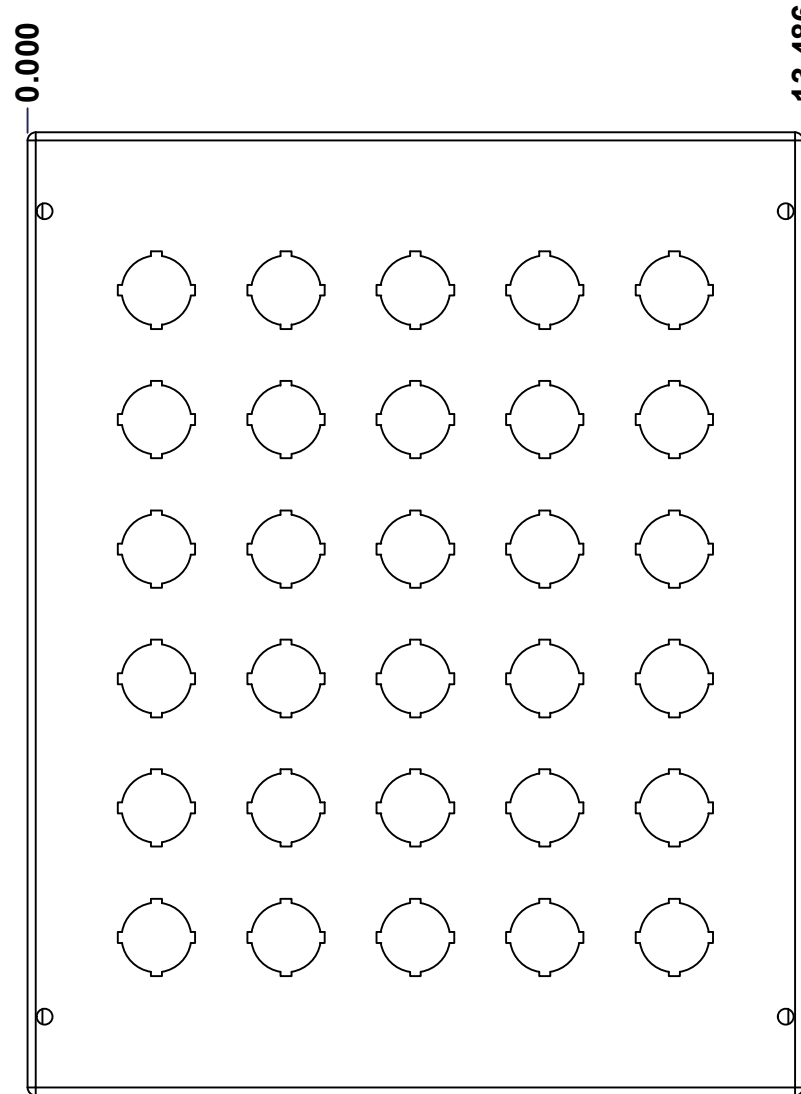
BACK



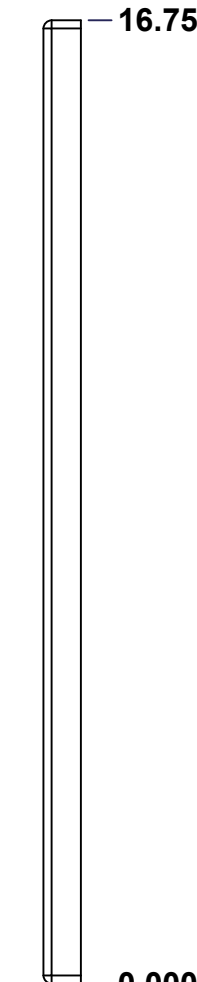
BOTTOM



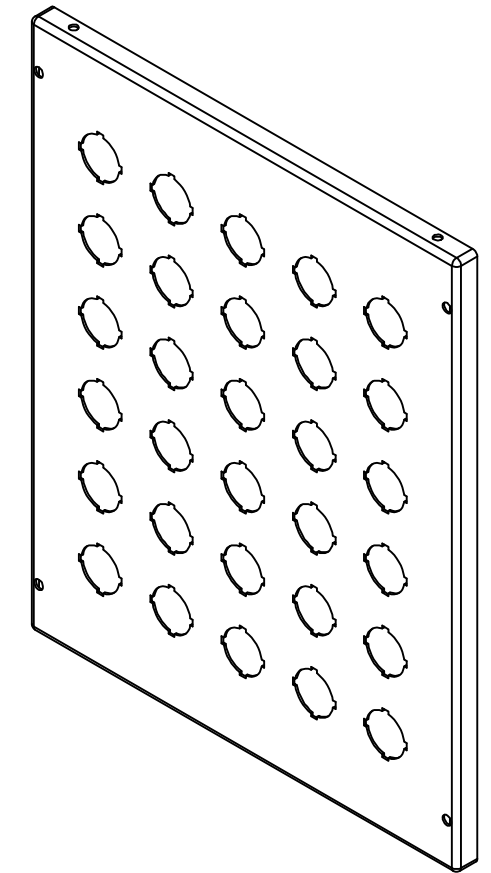
LEFT



FRONT




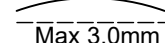
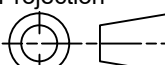
RIGHT



Isometric View



No.	Revisions	Date	By/Par

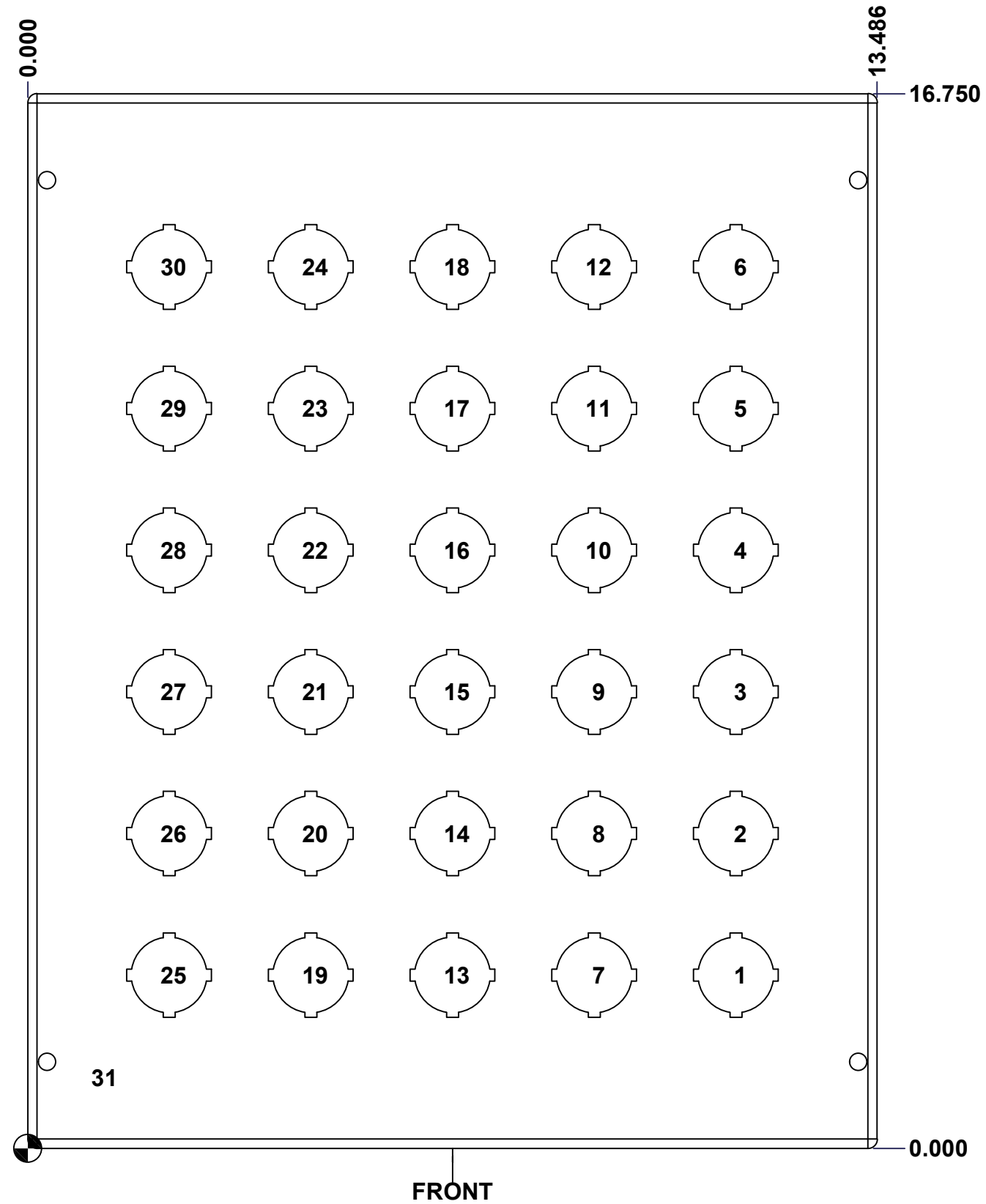
 Tél: (450) 979-4373 Fax: (450) 979-4626 www.exmweb.com		Flatness Aplatissement  Max 3.0mm Projection 
Customer Client	Date	
Drawn By Dessiné Par	BoxCad: BoxCad	Date 21-Jul-25
Material Matière	16 Ga Cold Rolled A1008 CS Type B (1.4mm)	
Color Couleur	Asa-61 Grey	Finish Fini Smooth
Description	Detail Rev.	
1412SD 16.75" x 13.25" Cover		
Part Number Numéro Pièce	Rev.	7
1412SD161303C	0	9

SEE BILL OF MATERIAL ON LAST PAGE

This drawing is confidential and must not be reproduced or used without the consent of EXM

Ce dessin est confidentiel et ne doit pas être reproduit ou utilisé sans le consentement de EXM

STANDARD FEATURES ARE NOT LISTED IN THIS HOLE TABLE			
HOLE TABLE - FRONT VIEW (CUSTOM FEATURE ONLY)			
CUT-OUT	XDIM	YDIM	DESCRIPTION
1	11.243	2.750	30.5 mm Standard Pushbutton
2	11.243	5.000	30.5 mm Standard Pushbutton
3	11.243	7.250	30.5 mm Standard Pushbutton
4	11.243	9.500	30.5 mm Standard Pushbutton
5	11.243	11.750	30.5 mm Standard Pushbutton
6	11.243	14.000	30.5 mm Standard Pushbutton
7	8.993	2.750	30.5 mm Standard Pushbutton
8	8.993	5.000	30.5 mm Standard Pushbutton
9	8.993	7.250	30.5 mm Standard Pushbutton
10	8.993	9.500	30.5 mm Standard Pushbutton
11	8.993	11.750	30.5 mm Standard Pushbutton
12	8.993	14.000	30.5 mm Standard Pushbutton
13	6.743	2.750	30.5 mm Standard Pushbutton
14	6.743	5.000	30.5 mm Standard Pushbutton
15	6.743	7.250	30.5 mm Standard Pushbutton
16	6.743	9.500	30.5 mm Standard Pushbutton
17	6.743	11.750	30.5 mm Standard Pushbutton
18	6.743	14.000	30.5 mm Standard Pushbutton
19	4.493	2.750	30.5 mm Standard Pushbutton
20	4.493	5.000	30.5 mm Standard Pushbutton
21	4.493	7.250	30.5 mm Standard Pushbutton
22	4.493	9.500	30.5 mm Standard Pushbutton
23	4.493	11.750	30.5 mm Standard Pushbutton
24	4.493	14.000	30.5 mm Standard Pushbutton
25	2.243	2.750	30.5 mm Standard Pushbutton
26	2.243	5.000	30.5 mm Standard Pushbutton
27	2.243	7.250	30.5 mm Standard Pushbutton
28	2.243	9.500	30.5 mm Standard Pushbutton
29	2.243	11.750	30.5 mm Standard Pushbutton
30	2.243	14.000	30.5 mm Standard Pushbutton
31	1.145	1.125	STANDOFF M6 x 10mm (Inside)

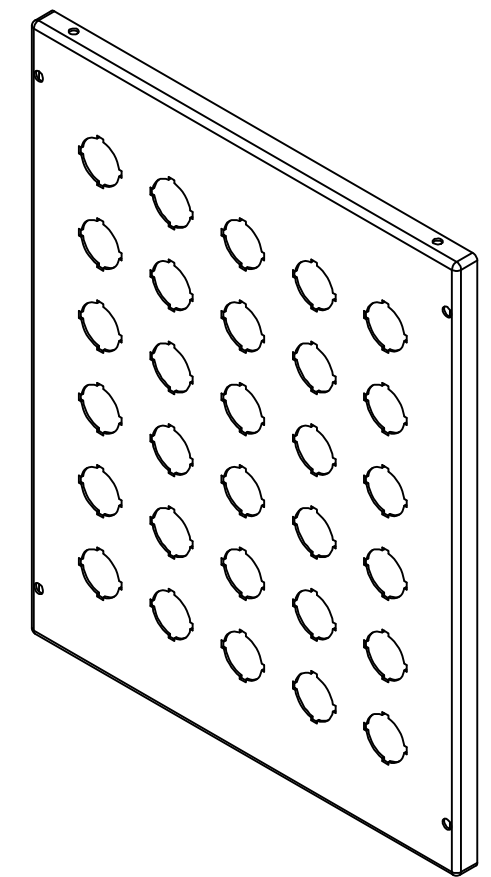


	Description 1412SD 16.75" x 13.25" Cover	Status (NULL)
	Part Number Numéro Pièce 1412SD161303C	Rev. 8 0

This drawing is confidential and must not be reproduced or used without the consent of EXM


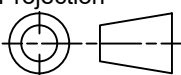
Ce dessin est confidentiel et ne doit pas être reproduit ou utilisé sans le consentement de EXM

No.	Revisions	Date	By/Par



Isometric View



 Tél: (450) 979-4373 Fax: (450) 979-4626 www.exmweb.com	Flatness Aplatissement	Max 3.0mm
	Projection	
Customer Client	Date	
Drawn By Dessiné Par	BoxCad: BoxCad	Date 21-Jul-25
Material Matière	16 Ga Cold Rolled A1008 CS Type B (1.4mm)	
Color Couleur	Asa-61 Grey	Finish Fini Smooth
Description	Detail Rev.	
1412SD 16.75" x 13.25" Cover		
Part Number Numéro Pièce	Rev.	9
1412SD161303C	0	9

Qty	Part Number	Rev	Description
1	STK-Q-08350	5	Standoff M6 x 10mm
1	STK-P-02400S	0	Powder Paint (Asa-61 Grey / Smooth)
1	1412SD161303G	0	1412SD 16.75" x 13.25" Gasket
1	1412SD161303C-P	0	1412SD 16.75" x 13.25" Cover Part
Parts List			