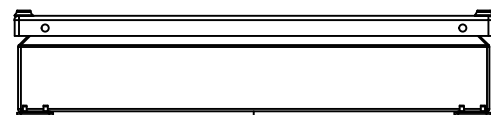
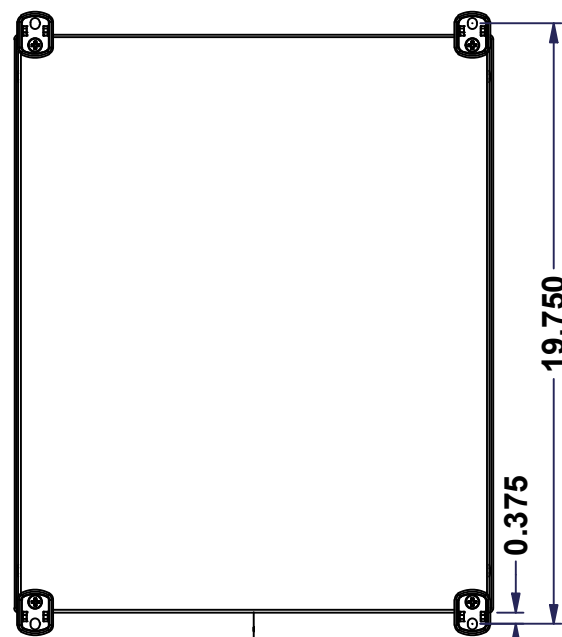


This drawing is confidential and must not be reproduced or used without the consent of EXM

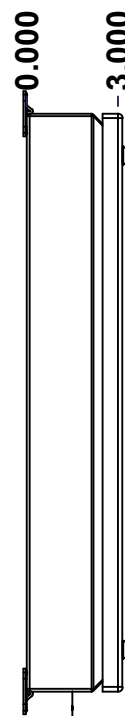
Ce dessin est confidentiel et ne doit pas être reproduit ou utilisé sans le consentement de EXM



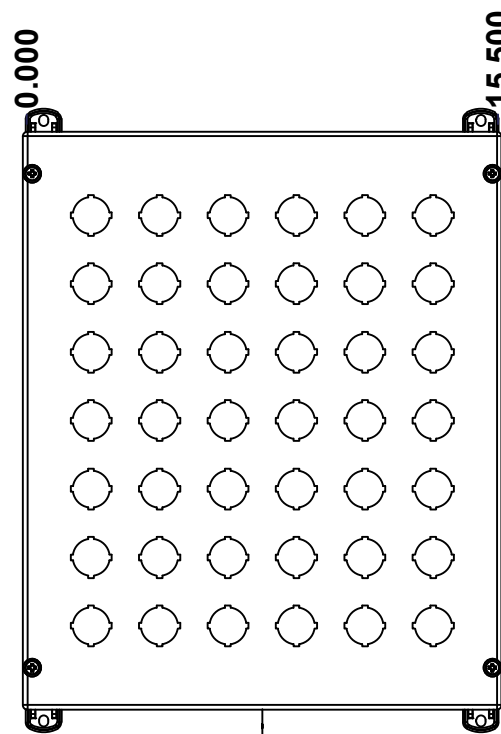
TOP



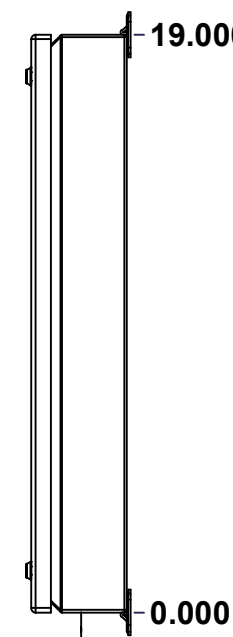
BACK



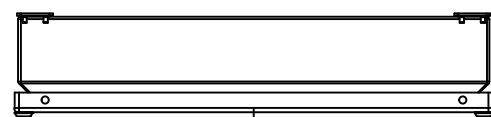
LEFT



FRONT

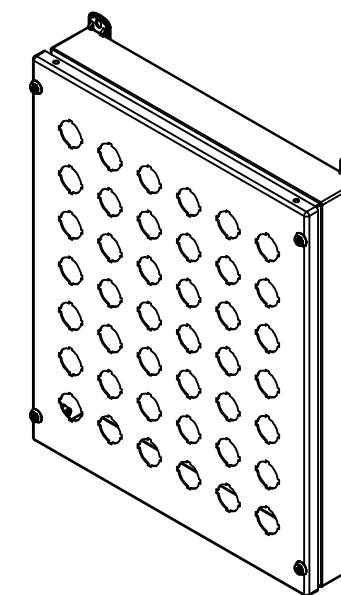


RIGHT



BOTTOM

No.	Revisions	Date	By/Par



Isometric View



Tél: (450) 979-4373
 Fax: (450) 979-4626
www.exmweb.com

Flatness
Aplatissement
Max 3.0mm
Projection

Customer Client
 Drawn By / Dessiné Par: BoxCad: BoxCad
 Date: 21-Jul-25

Material / Matière: 16 Ga Cold Rolled A1008 CS Type B (1.4mm)

Color / Couleur: Asa-61 Grey
 Finish / Fini: Smooth

Description: 1412SD 19" x 15.5" x 3" Assembly
 Detail Rev.

Part Number / Numéro Pièce: 1412SD181503
 Rev. 0

SEE BILL OF MATERIAL ON LAST PAGE

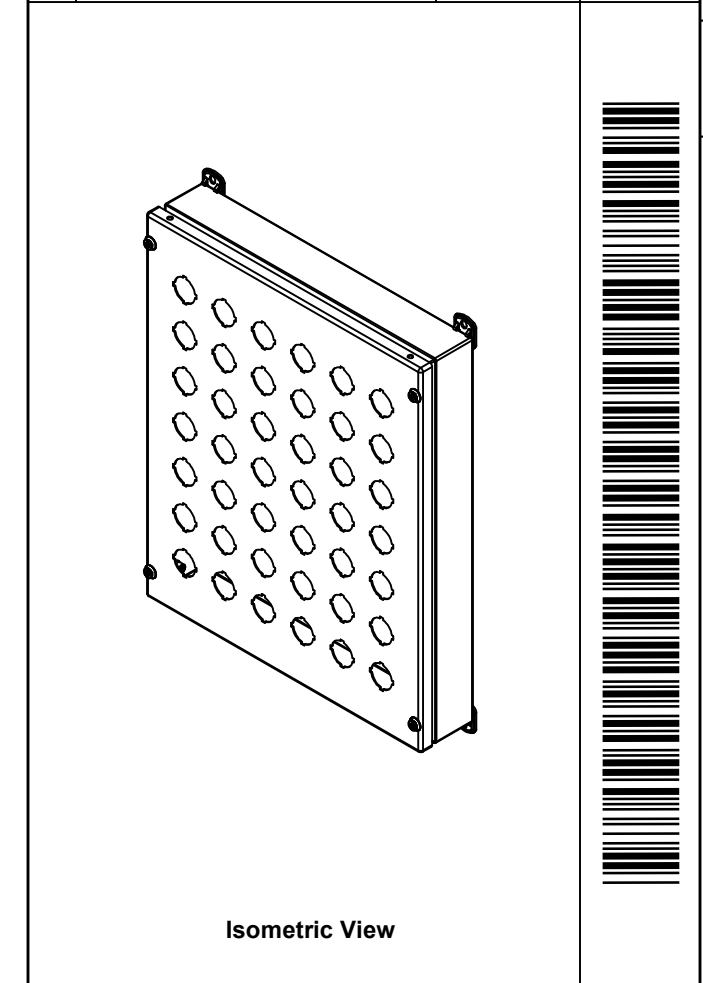
1
9


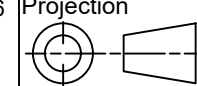
This drawing is confidential and must not be reproduced or used without the consent of EXM

Ce dessin est confidentiel et ne doit pas être reproduit ou utilisé sans le consentement de EXM

NOTE	
ITEM	DESCRIPTION
1	NEMA 4, 12 Enclosure (IP66)
2	C/W Standard ground standoffs on box and cover
3	W/O Standard door stiffener
4	W/O Inner panel
5	W/O Inner panel mounting standoffs
6	C/W 885 ESCHMF1 Mounting Feet (Installed)

No.	Revisions	Date	By/Par



 Tél: (450) 979-4373 Fax: (450) 979-4626 www.exmweb.com	Flatness Aplatissement Max 3.0mm
	Projection 
Customer Client	Date
Drawn By Dessiné Par BoxCad: BoxCad	Date 21-Jul-25
Material Matière 16 Ga Cold Rolled A1008 CS Type B (1.4mm)	
Color Couleur Asa-61 Grey	Finish Fini Smooth

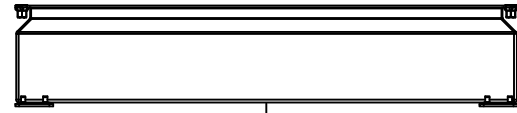
PACKING		
ITEM	QTY	DESCRIPTION
Cardboard sleeve	2	Top and Bottom
Cardboard strip	2	Between back of enclosure and inner panel
Plastic bag	1	To protect cover surface and inside gasket
Plastic strap - Black	2	To Squeeze the 2 cardboard sleeve together
Packaging label	1	White label with product number

Qty	Part Number	Rev	Description
1	STK-K-02920	3	5412 ESSC Accessory Kit
1	1412SD181503C	0	1412SD 19" x 15.5" Cover
1	1412SD181503B	0	1412SD 19" x 15.5" x 3" Body
Parts List			

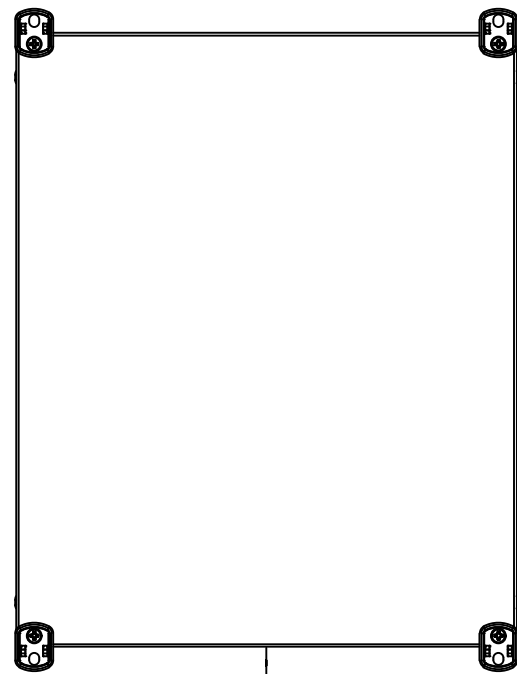
Description	Detail Rev.
1412SD 19" x 15.5" x 3" Assembly	
Part Number Numéro Pièce	Rev.
1412SD181503	0 / 2
	9

This drawing is confidential and must not be reproduced or used without the consent of EXM

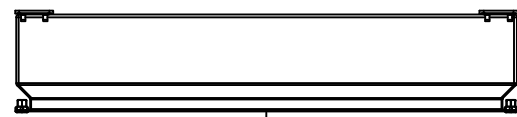
Ce dessin est confidentiel et ne doit pas être reproduit ou utilisé sans le consentement de EXM



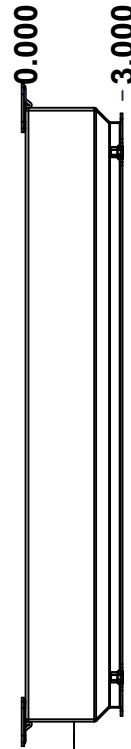
TOP



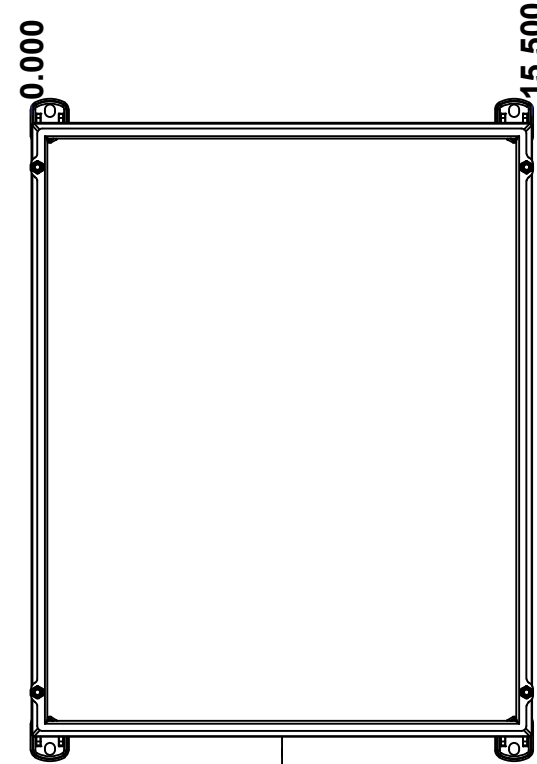
BACK



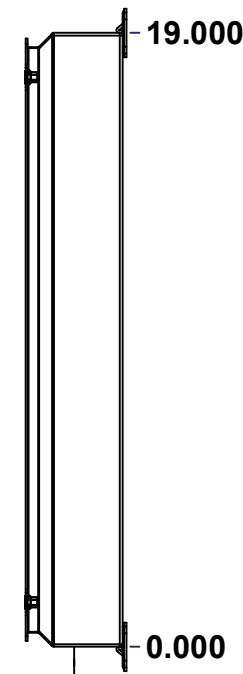
BOTTOM



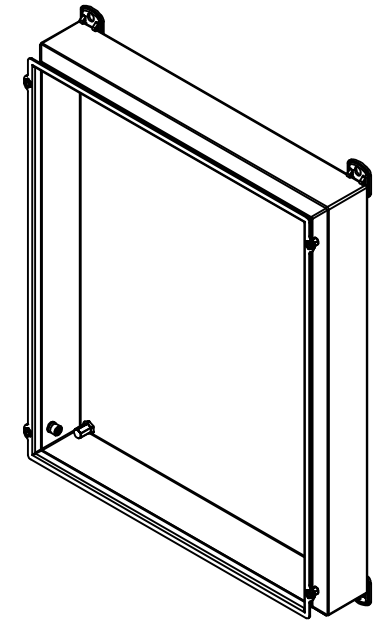
LEFT



FRONT




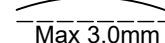
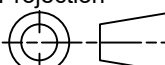
RIGHT



Isometric View



No.	Revisions	Date	By/Par

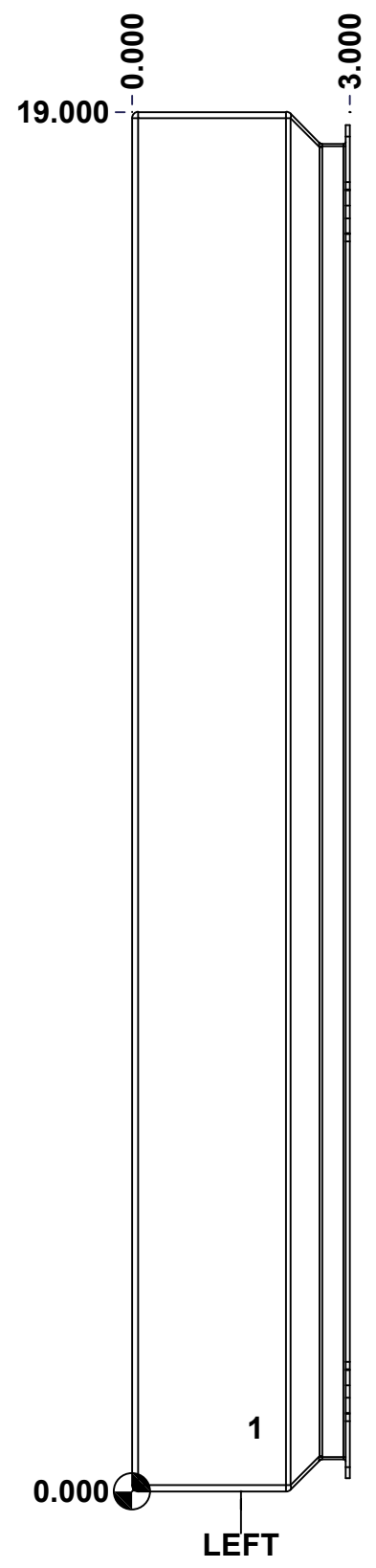
 Tél: (450) 979-4373 Fax: (450) 979-4626 www.exmweb.com		Flatness Aplatissement  Max 3.0mm Projection 
Customer Client	Date	
Drawn By Dessiné Par	BoxCad: BoxCad	Date 21-Jul-25
Material Matière	16 Ga Cold Rolled A1008 CS Type B (1.4mm)	
Color Couleur	Asa-61 Grey	Finish Fini Smooth
Description 1412SD 19" x 15.5" x 3" Body		Detail Rev.
Part Number Numéro Pièce	1412SD181503B	Rev. 3 0

SEE BILL OF MATERIAL ON LAST PAGE

This drawing is confidential and must not be reproduced or used without the consent of EXM

Ce dessin est confidentiel et ne doit pas être reproduit ou utilisé sans le consentement de EXM

STANDARD FEATURES ARE NOT LISTED IN THIS HOLE TABLE			
HOLE TABLE - LEFT VIEW (CUSTOM FEATURE ONLY)			
CUT-OUT	XDIM	YDIM	DESCRIPTION
1	1.625	0.875	STANDOFF M6 x 10mm (Inside)



	Description	Status	
	1412SD 19" x 15.5" x 3" Body	(NULL)	
	Part Number Numéro Pièce	Rev.	
	1412SD181503B	0	4 9

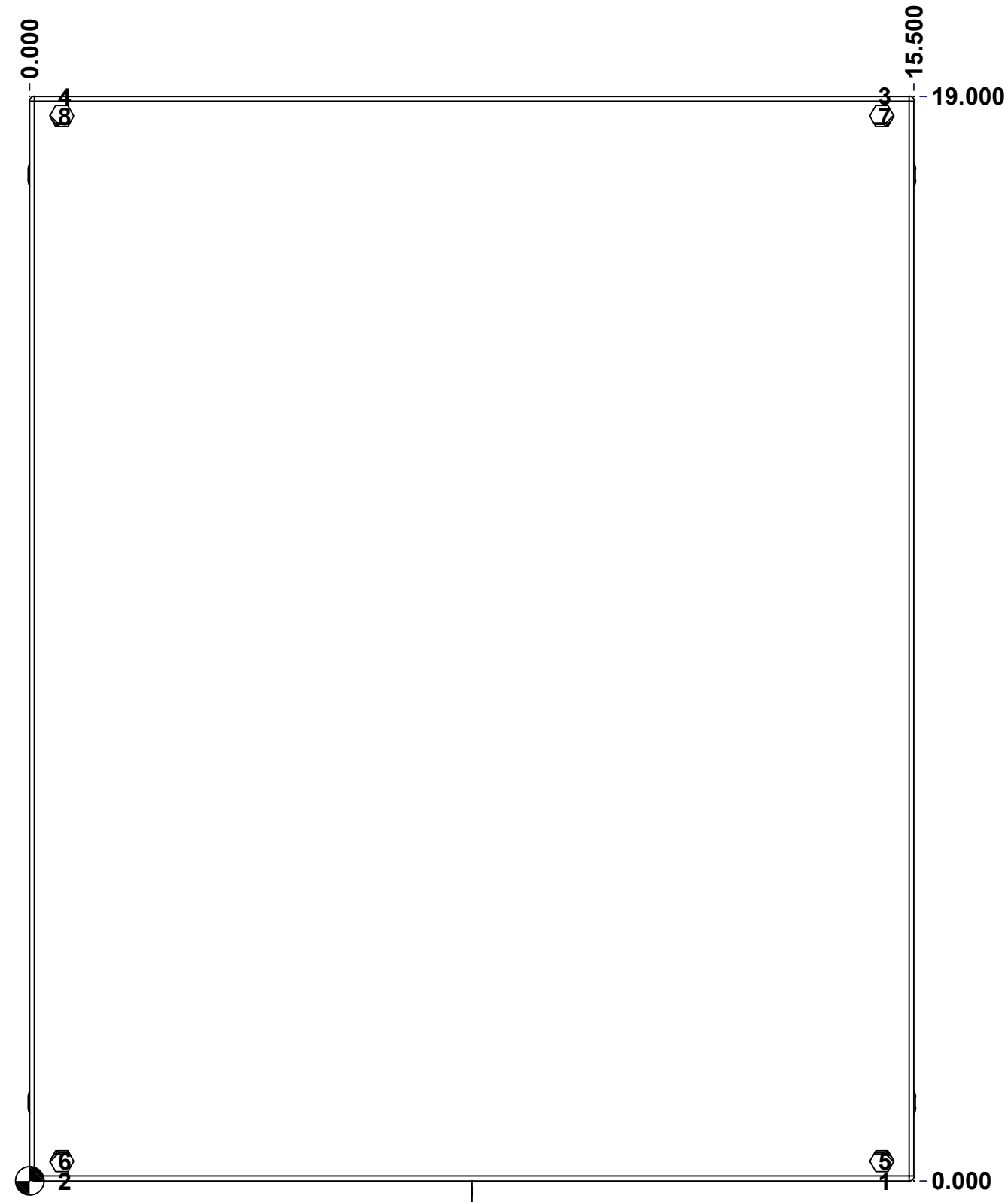
This drawing is confidential and must not be reproduced or used without the consent of EXM

Ce dessin est confidentiel et ne doit pas être reproduit ou utilisé sans le consentement de EXM

STANDARD FEATURES ARE NOT LISTED IN THIS HOLE TABLE

HOLE TABLE - BACK VIEW (CUSTOM FEATURE ONLY)

CUT-OUT	XDIM	YDIM	DESCRIPTION
1	14.937	0.000	FOOT 885 ESCHMF1
2	0.563	0.000	FOOT 885 ESCHMF1
3	14.937	19.000	FOOT 885 ESCHMF1
4	0.563	19.000	FOOT 885 ESCHMF1
5	14.937	0.344	RIVET NUT M6_FH_CE (Inside)
6	0.563	0.344	RIVET NUT M6_FH_CE (Inside)
7	14.937	18.656	RIVET NUT M6_FH_CE (Inside)
8	0.563	18.656	RIVET NUT M6_FH_CE (Inside)



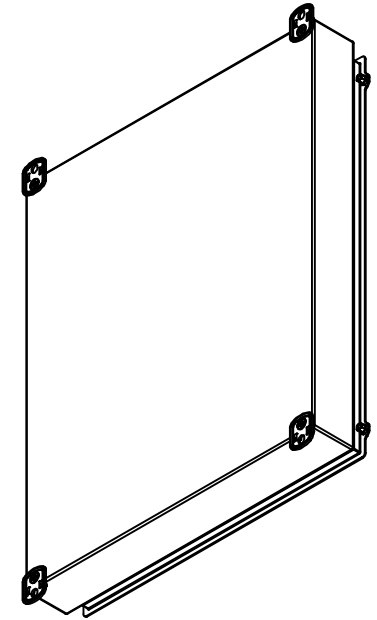
BACK

	Description	Status	
	1412SD 19" x 15.5" x 3" Body	(NULL)	
	Part Number	Rev.	5
	Numéro Pièce	0	9
		1412SD181503B	

This drawing is confidential and must not be reproduced or used without the consent of EXM

Ce dessin est confidentiel et ne doit pas être reproduit ou utilisé sans le consentement de EXM

No.	Revisions	Date	By/Par



Isometric View

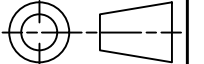


Tél: (450) 979-4373
 Fax: (450) 979-4626
www.exmweb.com

Flatness
Aplatissement

Max 3.0mm

Projection



Customer Client	Date
Drawn By / Dessiné Par: BoxCad: BoxCad	Date: 21-Jul-25
Material / Matière: 16 Ga Cold Rolled A1008 CS Type B (1.4mm)	

Color / Couleur: Asa-61 Grey	Finish / Fini: Smooth
------------------------------	-----------------------

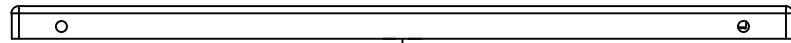
Description: 1412SD 19" x 15.5" x 3" Body	Detail Rev.
---	-------------

Part Number / Numéro Pièce: 1412SD181503B	Rev. 0	6/9
--	--------	-----

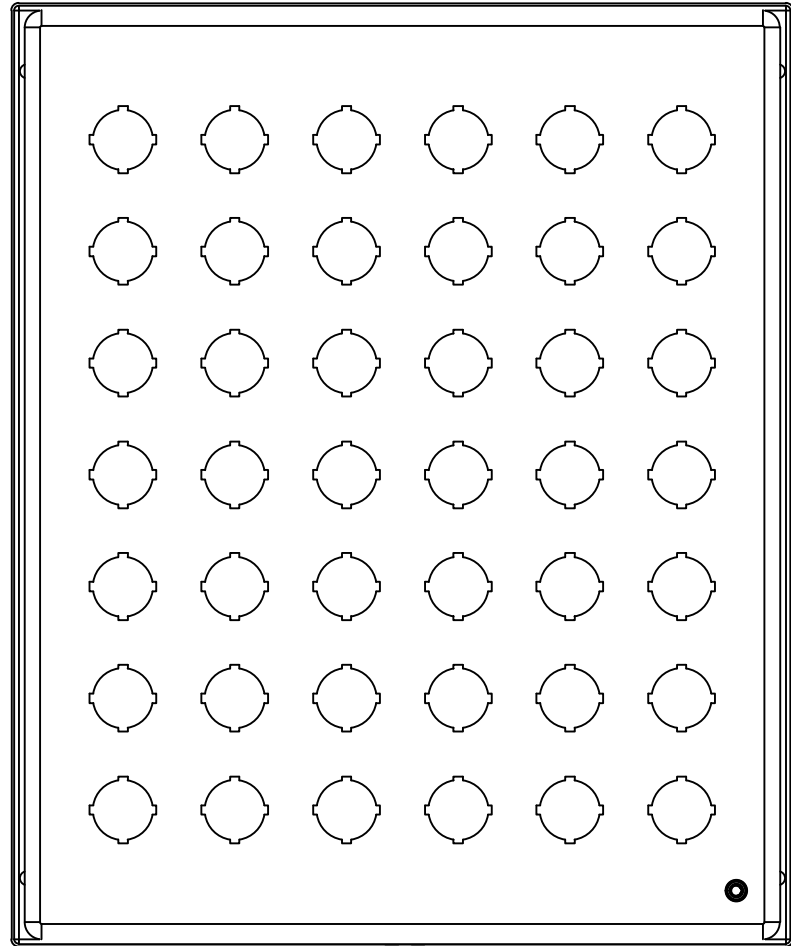
Qty	Part Number	Rev	Description
4	STK-Q-03071	0	M6 x 16mm Machine Screw
4	RIVET_NUT_M6_FH_CE	0	Rivet Nut M6 (Low Profile Close End)
4	885 ESCHMF1	2	5412 ESCH Stamped Mounting Foot
1	STK-P-02400S	0	Powder Paint (Asa-61 Grey / Smooth)
1	1412SD181503B-P	0	1412SD 19" x 15.5" x 3" Body Part
1	STK-Q-08350	5	Standoff M6 x 10mm
4	RIVET_NUT_M5_FH_OE	0	Rivet Nut M5 (Low Profile Open End)
Parts List			

This drawing is confidential and must not be reproduced or used without the consent of EXM

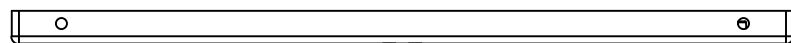
Ce dessin est confidentiel et ne doit pas être reproduit ou utilisé sans le consentement de EXM



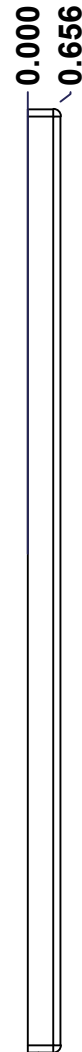
TOP



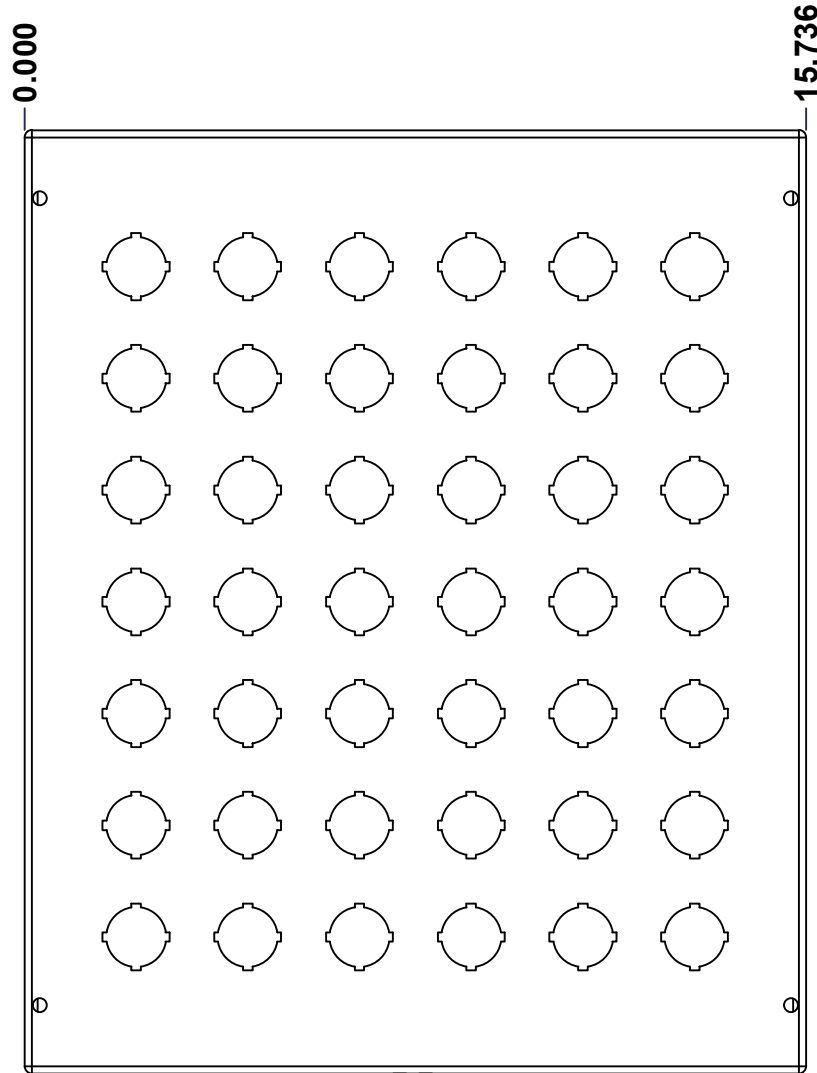
BACK



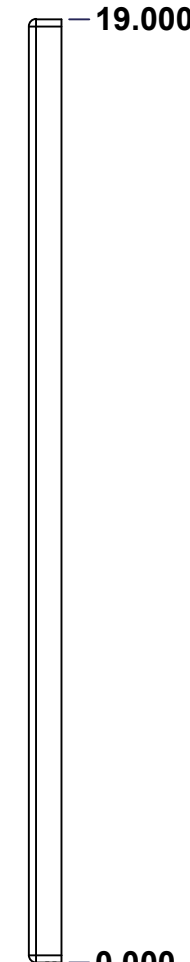
BOTTOM



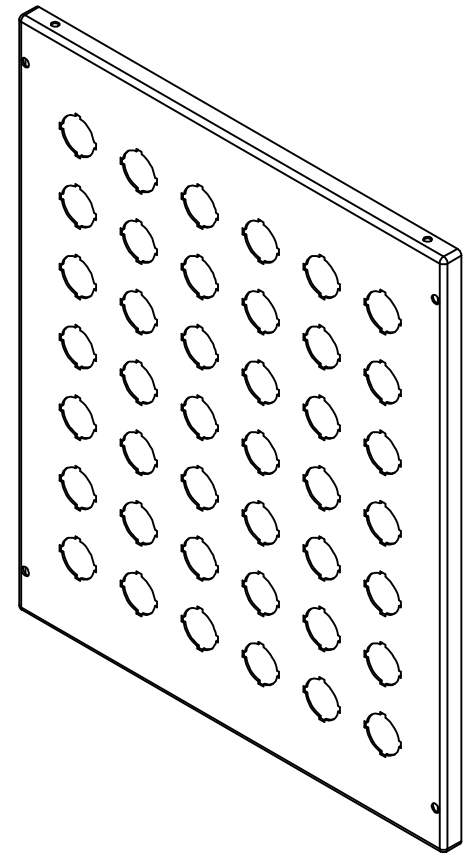
LEFT



FRONT




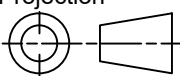
RIGHT



Isometric View



No.	Revisions	Date	By/Par

 Tél: (450) 979-4373 Fax: (450) 979-4626 www.exmweb.com		Flatness Aplatissement Max 3.0mm Projection 
Customer Client	Date	
Drawn By Dessiné Par	BoxCad: BoxCad	Date 21-Jul-25
Material Matière	16 Ga Cold Rolled A1008 CS Type B (1.4mm)	
Color Couleur	Asa-61 Grey	Finish Fini Smooth
Description	Detail Rev.	
1412SD 19" x 15.5" Cover		
Part Number Numéro Pièce	Rev.	7
1412SD181503C	0	9

SEE BILL OF MATERIAL ON LAST PAGE

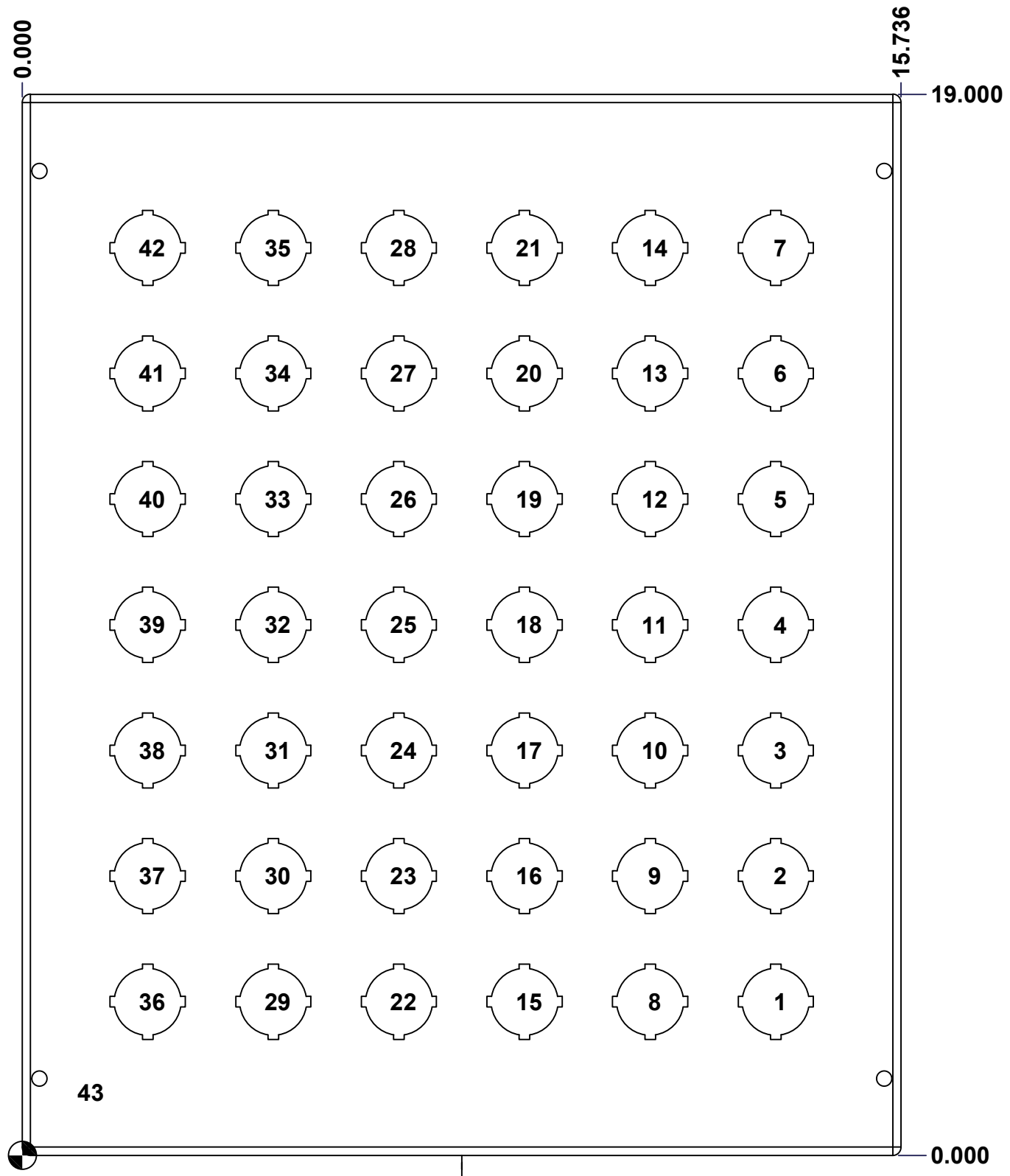
This drawing is confidential and must not be reproduced or used without the consent of EXM

Ce dessin est confidentiel et ne doit pas être reproduit ou utilisé sans le consentement de EXM

STANDARD FEATURES ARE NOT LISTED IN THIS HOLE TABLE

HOLE TABLE - FRONT VIEW (CUSTOM FEATURE ONLY)

CUT-OUT	XDIM	YDIM	DESCRIPTION
1	13.493	2.750	30.5 mm Standard Pushbutton
2	13.493	5.000	30.5 mm Standard Pushbutton
3	13.493	7.250	30.5 mm Standard Pushbutton
4	13.493	9.500	30.5 mm Standard Pushbutton
5	13.493	11.750	30.5 mm Standard Pushbutton
6	13.493	14.000	30.5 mm Standard Pushbutton
7	13.493	16.250	30.5 mm Standard Pushbutton
8	11.243	2.750	30.5 mm Standard Pushbutton
9	11.243	5.000	30.5 mm Standard Pushbutton
10	11.243	7.250	30.5 mm Standard Pushbutton
11	11.243	9.500	30.5 mm Standard Pushbutton
12	11.243	11.750	30.5 mm Standard Pushbutton
13	11.243	14.000	30.5 mm Standard Pushbutton
14	11.243	16.250	30.5 mm Standard Pushbutton
15	8.993	2.750	30.5 mm Standard Pushbutton
16	8.993	5.000	30.5 mm Standard Pushbutton
17	8.993	7.250	30.5 mm Standard Pushbutton
18	8.993	9.500	30.5 mm Standard Pushbutton
19	8.993	11.750	30.5 mm Standard Pushbutton
20	8.993	14.000	30.5 mm Standard Pushbutton
21	8.993	16.250	30.5 mm Standard Pushbutton
22	6.743	2.750	30.5 mm Standard Pushbutton
23	6.743	5.000	30.5 mm Standard Pushbutton
24	6.743	7.250	30.5 mm Standard Pushbutton
25	6.743	9.500	30.5 mm Standard Pushbutton
26	6.743	11.750	30.5 mm Standard Pushbutton
27	6.743	14.000	30.5 mm Standard Pushbutton
28	6.743	16.250	30.5 mm Standard Pushbutton
29	4.493	2.750	30.5 mm Standard Pushbutton
30	4.493	5.000	30.5 mm Standard Pushbutton
31	4.493	7.250	30.5 mm Standard Pushbutton
32	4.493	9.500	30.5 mm Standard Pushbutton
33	4.493	11.750	30.5 mm Standard Pushbutton
34	4.493	14.000	30.5 mm Standard Pushbutton
35	4.493	16.250	30.5 mm Standard Pushbutton
36	2.243	2.750	30.5 mm Standard Pushbutton
37	2.243	5.000	30.5 mm Standard Pushbutton
38	2.243	7.250	30.5 mm Standard Pushbutton
39	2.243	9.500	30.5 mm Standard Pushbutton
40	2.243	11.750	30.5 mm Standard Pushbutton
41	2.243	14.000	30.5 mm Standard Pushbutton
42	2.243	16.250	30.5 mm Standard Pushbutton
43	1.145	1.125	STANDOFF M6 x 10mm (Inside)



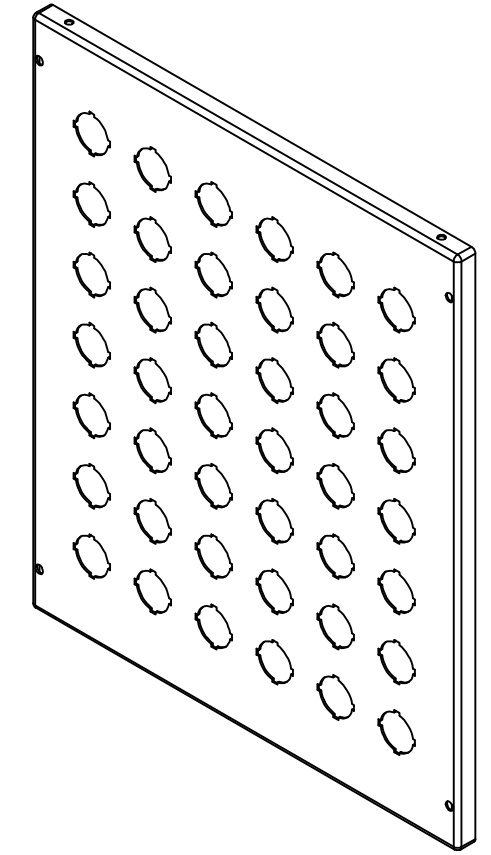
FRONT

	Description 1412SD 19" x 15.5" Cover	Status (NULL)
	Part Number Numéro Pièce 1412SD181503C	Rev. 8 0 / 9

This drawing is confidential and must not be reproduced or used without the consent of EXM


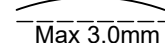
Ce dessin est confidentiel et ne doit pas être reproduit ou utilisé sans le consentement de EXM

No.	Revisions	Date	By/Par



Isometric View



 Tél: (450) 979-4373 Fax: (450) 979-4626 www.exmweb.com		Flatness Aplatissement  Max 3.0mm
Customer Client		Date
Drawn By Dessiné Par BoxCad: BoxCad		Date 21-Jul-25
Material Matière 16 Ga Cold Rolled A1008 CS Type B (1.4mm)		
Color Couleur Asa-61 Grey	Finish Fini Smooth	
Description 1412SD 19" x 15.5" Cover		Detail Rev.
Part Number Numéro Pièce 1412SD181503C		Rev. 9 0

Qty	Part Number	Rev	Description
1	STK-Q-08350	5	Standoff M6 x 10mm
1	STK-P-02400S	0	Powder Paint (Asa-61 Grey / Smooth)
1	1412SD181503G	0	1412SD 19" x 15.5" Gasket
1	1412SD181503C-P	0	1412SD 19" x 15.5" Cover Part
Parts List			