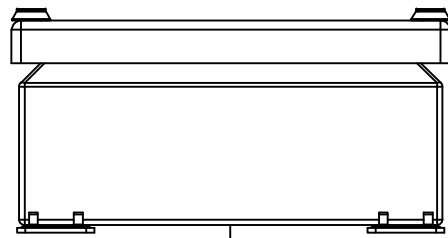
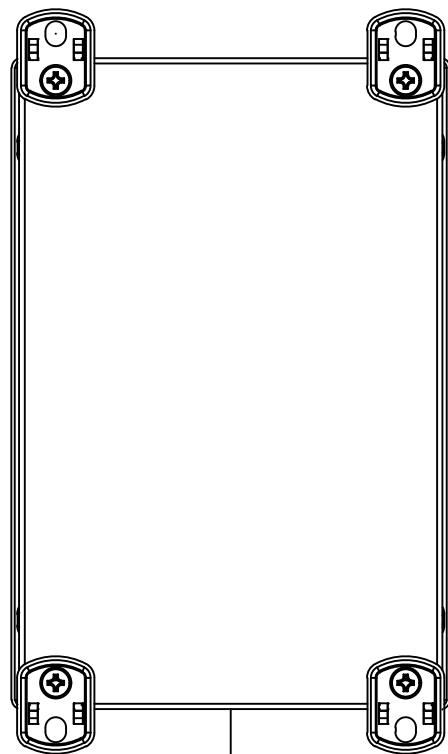


This drawing is confidential and must not be reproduced or used without the consent of EXM

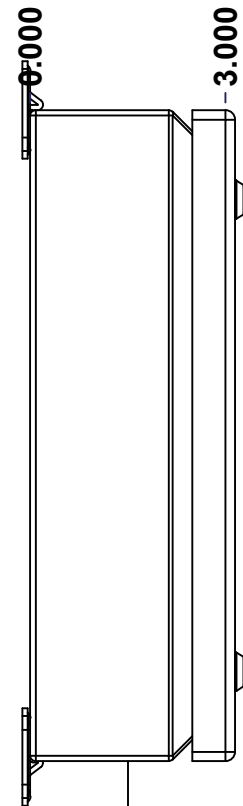
Ce dessin est confidentiel et ne doit pas être reproduit ou utilisé sans le consentement de EXM



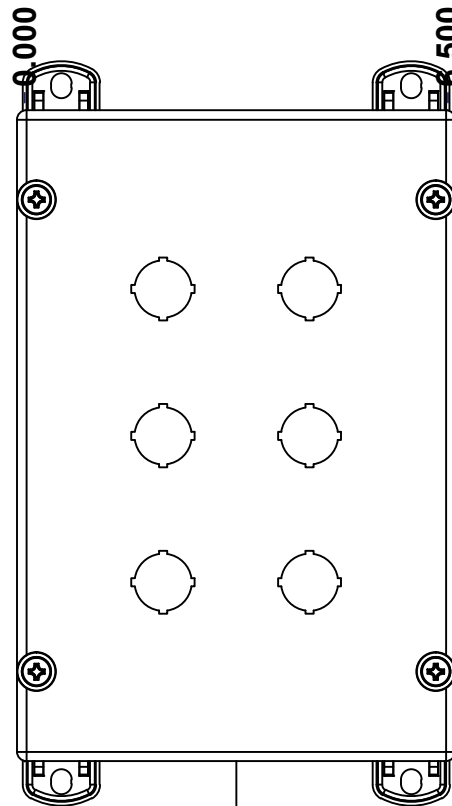
TOP



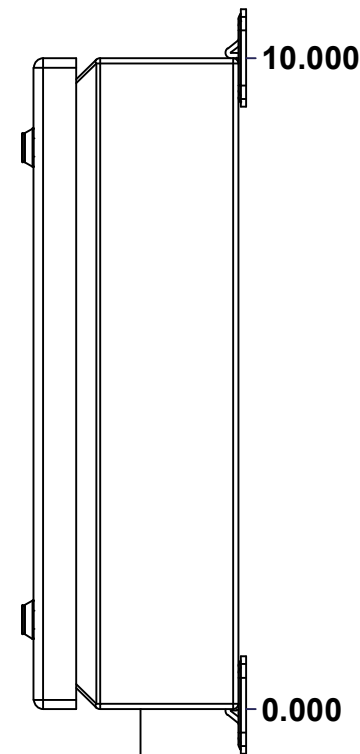
BACK



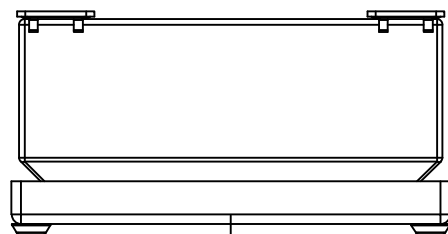
LEFT



FRONT

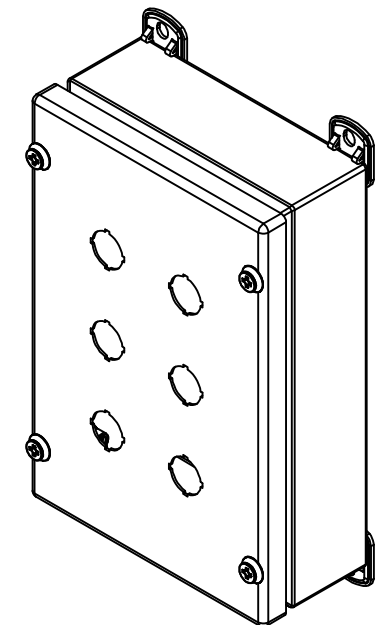


RIGHT



BOTTOM

No.	Revisions	Date	By/Par



Isometric View



Tél: (450) 979-4373
 Fax: (450) 979-4626
www.exmweb.com

Flatness
Aplatissement
Max 3.0mm
Projection

Customer Client	Date
Drawn By Dessiné Par BoxCad: BoxCad	Date 01-Feb-24
Material Matière 16 Ga Stainless Steel 304 (1.4mm)	
Color Couleur Unpainted	Finish Fini Brushed
Description 1412SDSSMN 10" x 6.5" x 3" Assembly	Detail Rev.
Part Number Numéro Pièce 1412SDSS090603MN	Rev. 1 0

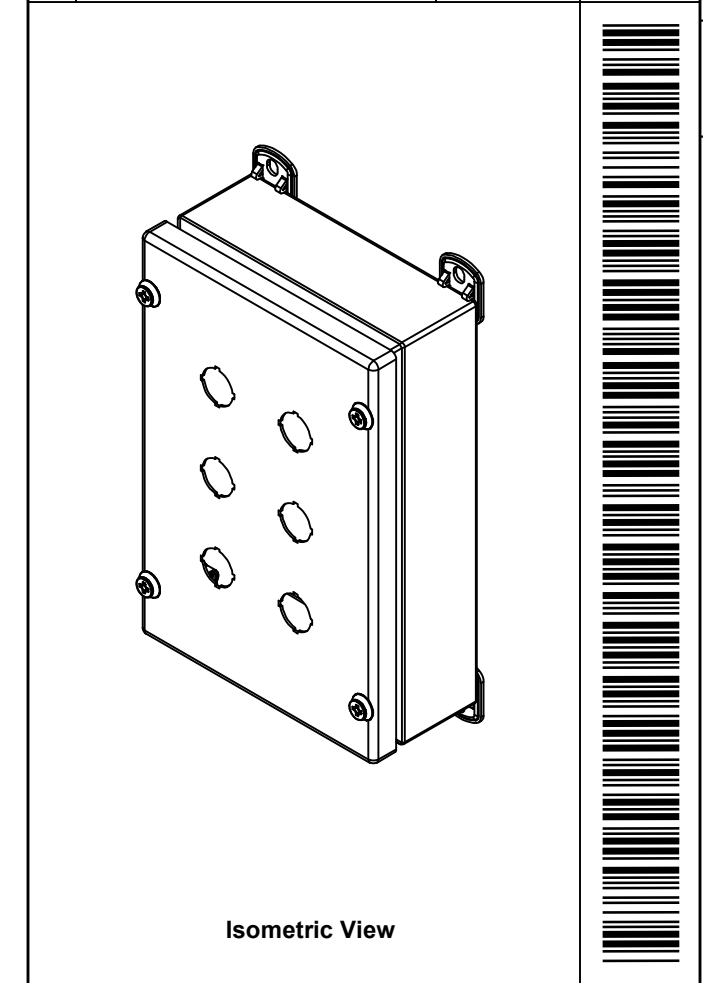
SEE BILL OF MATERIAL ON LAST PAGE


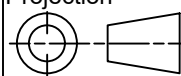
This drawing is confidential and must not be reproduced or used without the consent of EXM

Ce dessin est confidentiel et ne doit pas être reproduit ou utilisé sans le consentement de EXM

NOTE	
ITEM	DESCRIPTION
1	NEMA 4X Enclosure (IP66)
2	C/W Standard ground standoffs on box and cover
3	W/O Standard door stiffener
4	W/O Inner panel
5	W/O Inner panel mounting standoffs
6	C/W 885 ESCHMF2 Mounting Feet (Installed)

No.	Revisions	Date	By/Par



 Tél: (450) 979-4373 Fax: (450) 979-4626 www.exmweb.com	Flatness Aplatissement Max 3.0mm
	Projection 
Customer Client	Date
Drawn By Dessiné Par BoxCad: BoxCad	Date 01-Feb-24
Material Matière	16 Ga Stainless Steel 304 (1.4mm)
Color Couleur	Unpainted Finish Fini Brushed
Description	Detail Rev.
1412SDSSMN 10" x 6.5" x 3" Assembly	
Part Number Numéro Pièce	Rev. 2
1412SDSS090603MN	0 9

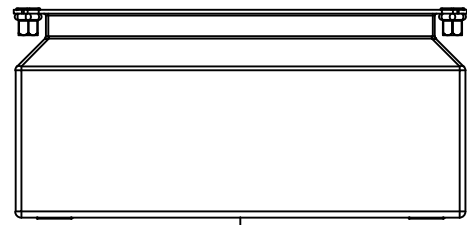
PACKING		
ITEM	QTY	DESCRIPTION
Cardboard sleeve	2	Top and Bottom
Cardboard strip	2	Between back of enclosure and inner panel
Plastic bag	1	To protect cover surface and inside gasket
Plastic strap - Black	2	To Squeeze the 2 cardboard sleeve together
Packaging label	1	White label with product number

Qty	Part Number	Rev	Description
1	1412SDSS090603MNC	0	1412SDSSMN 10" x 6.5" Cover
1	STK-K-02925	3	5412 ESSSC Accessory Kit
1	885 ESSCHMFQ	0	5412 ESSCH Mounting Feet Accessory Kit
1	1412SDSS090603MNB	0	1412SDSSMN 10" x 6.5" x 3" Body

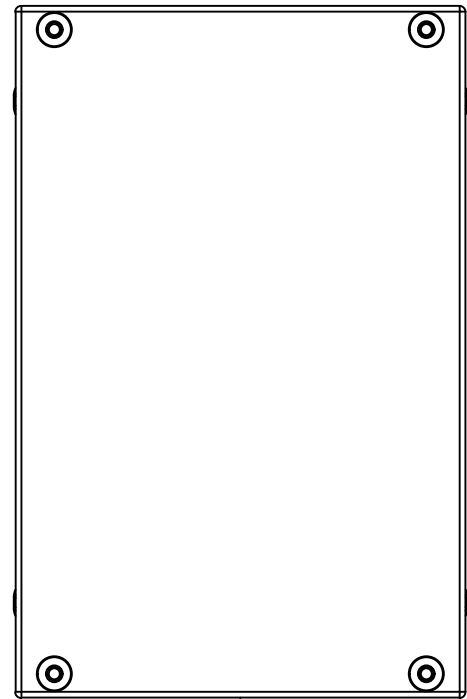
Parts List

This drawing is confidential and must not be reproduced or used without the consent of EXM

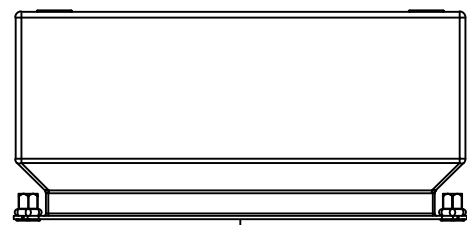
Ce dessin est confidentiel et ne doit pas être reproduit ou utilisé sans le consentement de EXM



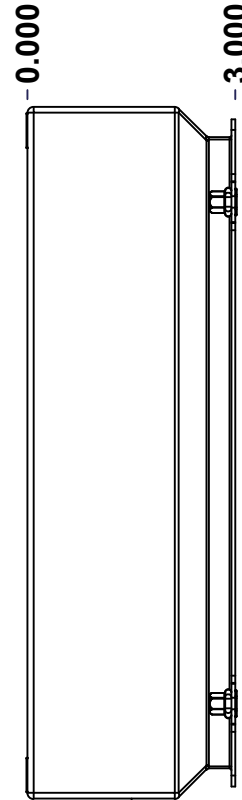
TOP



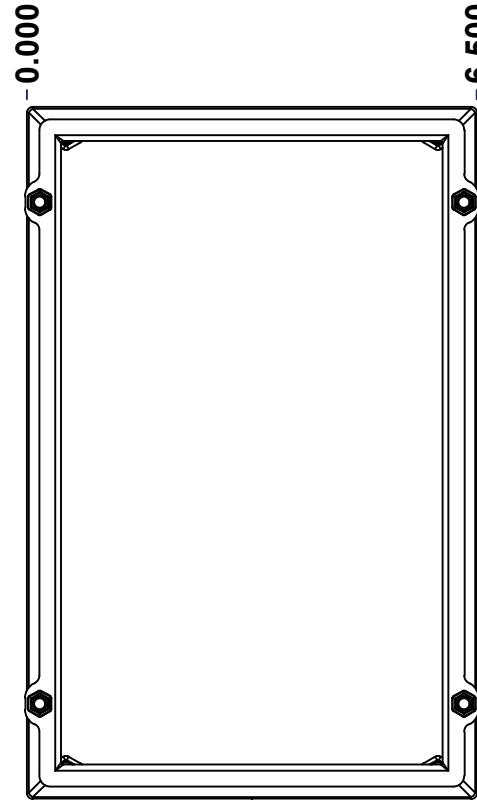
BACK



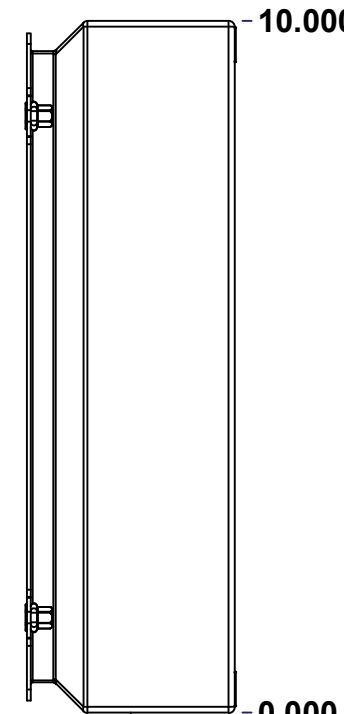
BOTTOM



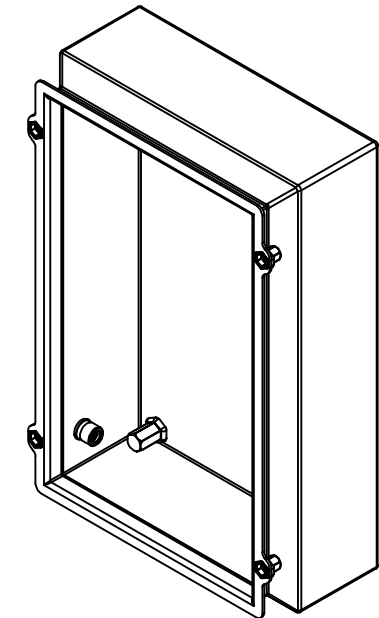
LEFT



FRONT




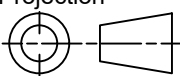
RIGHT



Isometric View



No.	Revisions	Date	By/Par

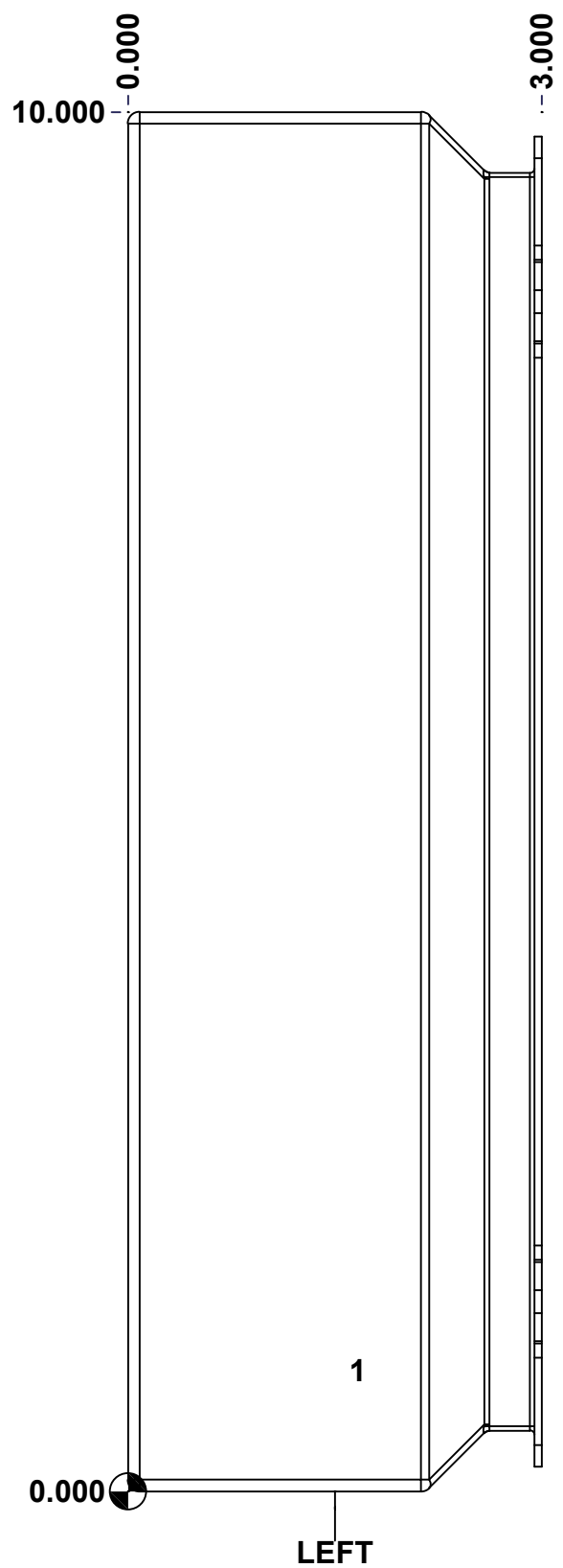
 Tél: (450) 979-4373 Fax: (450) 979-4626 www.exmweb.com		Flatness Aplatissement Max 3.0mm Projection 
Customer Client	Date	
Drawn By Dessiné Par	BoxCad: BoxCad	Date 01-Feb-24
Material Matière	16 Ga Stainless Steel 304 (1.4mm)	
Color Couleur	Unpainted	Finish Fini Brushed
Description	Detail Rev.	
1412SDSSMN 10" x 6.5" x 3" Body		
Part Number Numéro Pièce	Rev.	3
1412SDSS090603MNB	0	9

SEE BILL OF MATERIAL ON LAST PAGE

This drawing is confidential and must not be reproduced or used without the consent of EXM

Ce dessin est confidentiel et ne doit pas être reproduit ou utilisé sans le consentement de EXM

STANDARD FEATURES ARE NOT LISTED IN THIS HOLE TABLE			
HOLE TABLE - LEFT VIEW (CUSTOM FEATURE ONLY)			
CUT-OUT	XDIM	YDIM	DESCRIPTION
1	1.625	0.875	STANDOFF M6 x 10mm (Inside)



	Description	Status	
	1412SDSSMN 10" x 6.5" x 3" Body	(NULL)	
	Part Number Numéro Pièce	Rev.	
	1412SDSS090603MNB	0	4/9

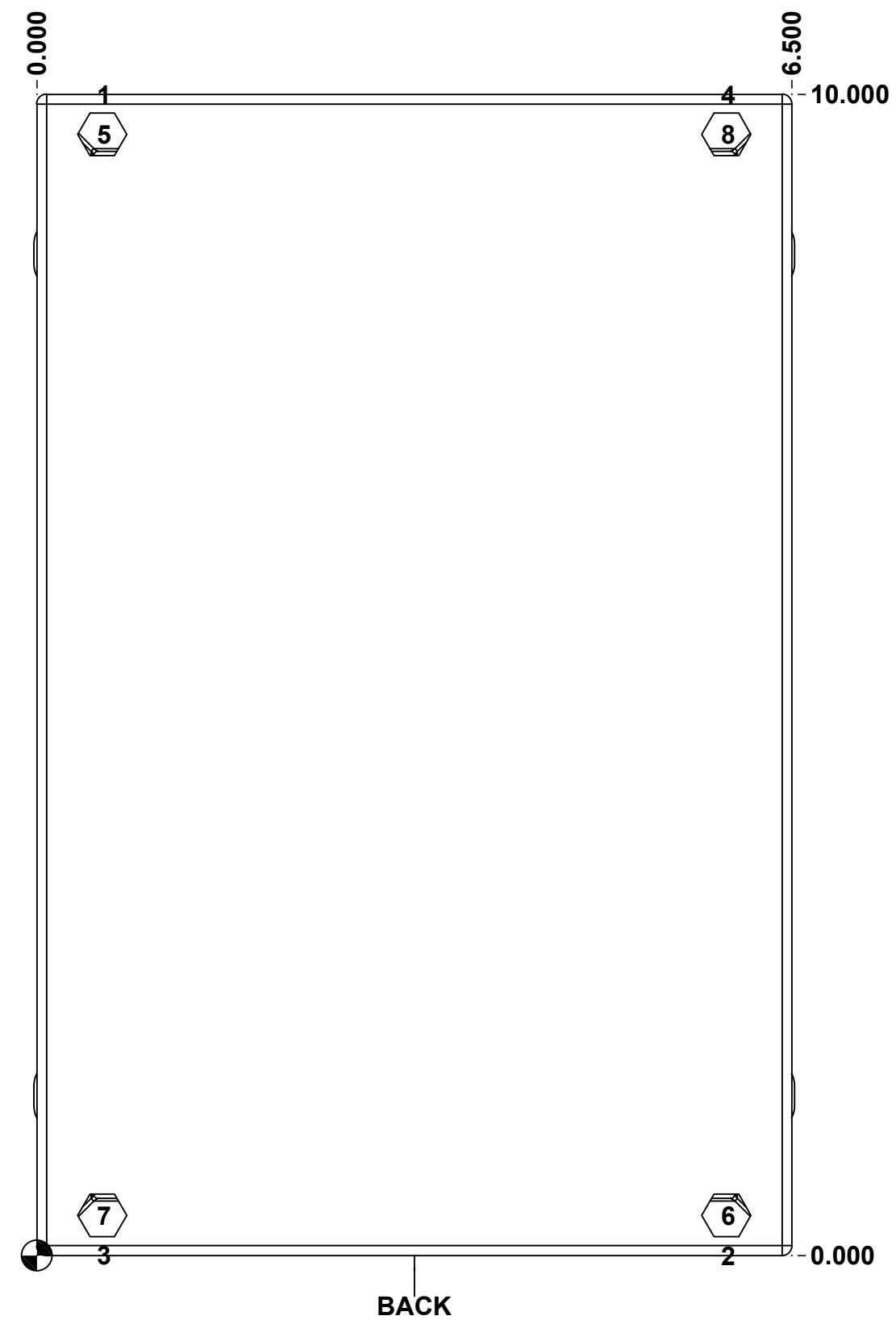
This drawing is confidential and must not be reproduced or used without the consent of EXM

Ce dessin est confidentiel et ne doit pas être reproduit ou utilisé sans le consentement de EXM

STANDARD FEATURES ARE NOT LISTED IN THIS HOLE TABLE

HOLE TABLE - BACK VIEW (CUSTOM FEATURE ONLY)

CUT-OUT	XDIM	YDIM	DESCRIPTION
1	0.563	10.000	FOOT 885 ESCHMF2
2	5.937	0.000	FOOT 885 ESCHMF2
3	0.563	0.000	FOOT 885 ESCHMF2
4	5.937	10.000	FOOT 885 ESCHMF2
5	0.563	9.656	RIVET NUT M6_FH_CE (Inside)
6	5.937	0.344	RIVET NUT M6_FH_CE (Inside)
7	0.563	0.344	RIVET NUT M6_FH_CE (Inside)
8	5.937	9.656	RIVET NUT M6_FH_CE (Inside)

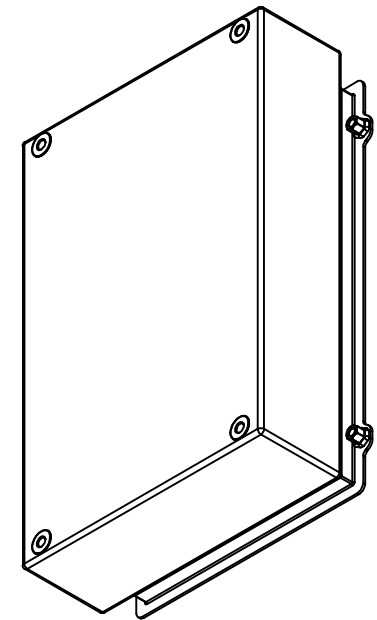


	Description	Status	
	1412SDSSMN 10" x 6.5" x 3" Body	(NULL)	
	Part Number Numéro Pièce	Rev.	
	1412SDSS090603MNB	0	5 9

This drawing is confidential and must not be reproduced or used without the consent of EXM


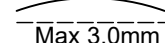
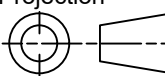
Ce dessin est confidentiel et ne doit pas être reproduit ou utilisé sans le consentement de EXM

No.	Revisions	Date	By/Par



Isometric View

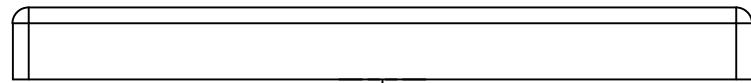


 Tél: (450) 979-4373 Fax: (450) 979-4626 www.exmweb.com		Flatness Aplatissement  Max 3.0mm
Customer Client		Projection 
Drawn By Dessiné Par BoxCad: BoxCad		Date 01-Feb-24
Material Matière 16 Ga Stainless Steel 304 (1.4mm)		
Color Couleur Unpainted		Finish Fini Brushed
Description 1412SDSSMN 10" x 6.5" x 3" Body		Detail Rev.
Part Number Numéro Pièce 1412SDSS090603MNB		Rev. 0
Qty Part Number Rev Description		6 9

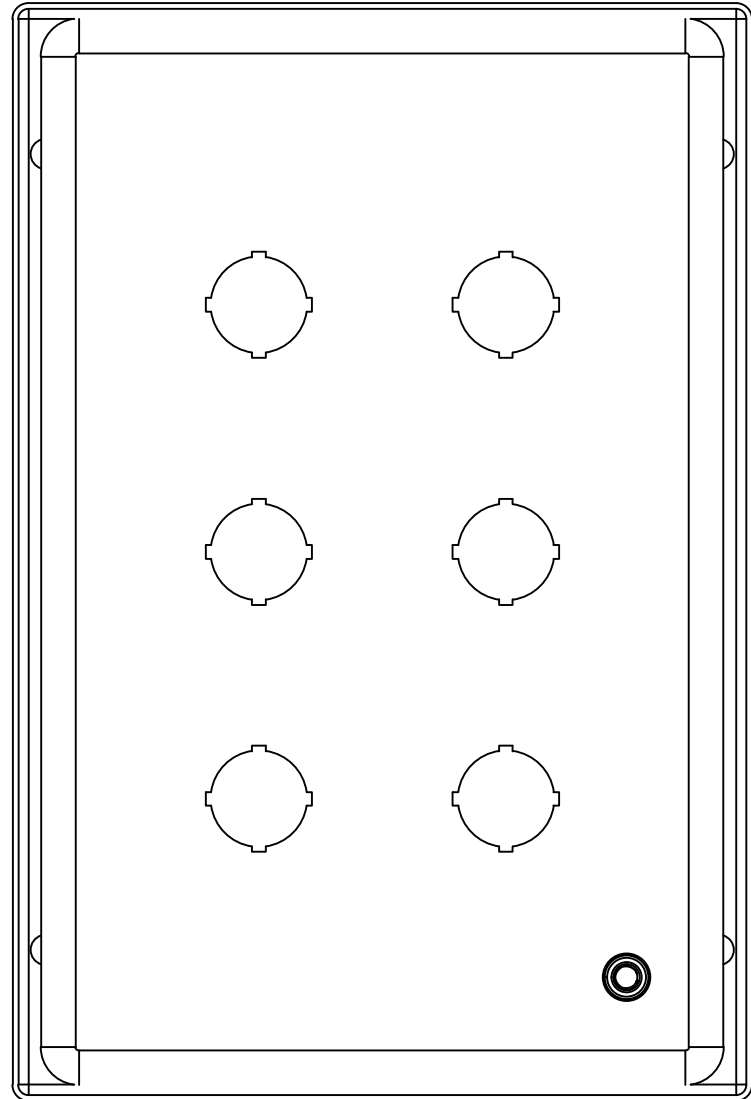
1	STK-Q-08500	4	Stainless Steel Standoff M6 x 10mm
1	1412SDSS090603MNB-P	0	1412SDSSMN 10" x 6.5" x 3" Body Part
4	RIVET_NUT_SS_M6_FH_CE	0	Stainless Steel Rivet Nut M6 (Low Profile Close End)
4	RIVET_NUT_SS_M5_FH_OE	0	Stainless Steel Rivet Nut M5 (Low Profile Open End)
Qty	Part Number	Rev	Description
Parts List			

This drawing is confidential and must not be reproduced or used without the consent of EXM

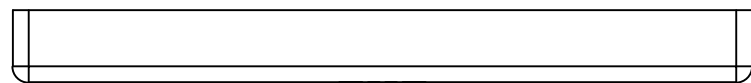
Ce dessin est confidentiel et ne doit pas être reproduit ou utilisé sans le consentement de EXM



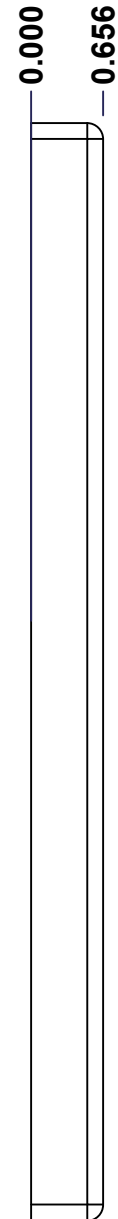
TOP



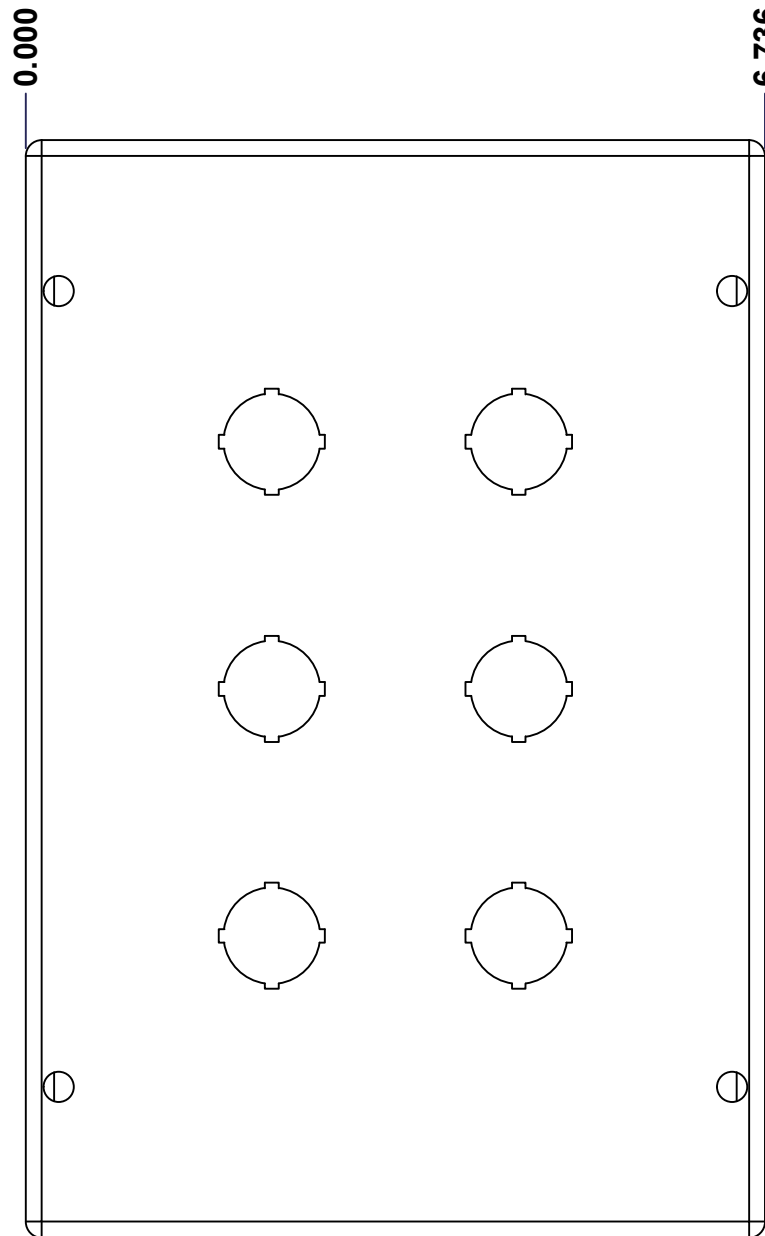
BACK



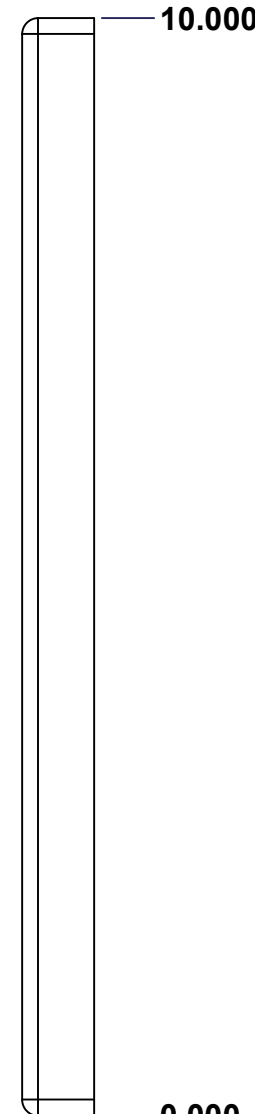
BOTTOM



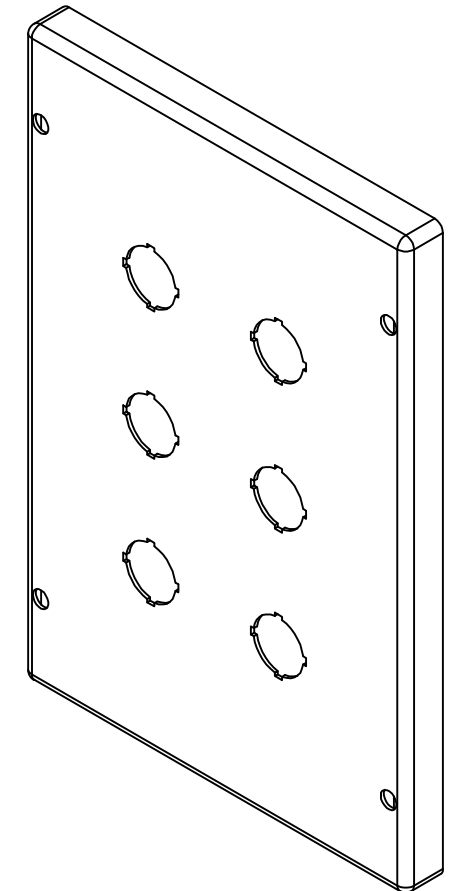
LEFT



FRONT




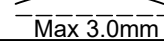
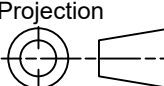
RIGHT



Isometric View



No.	Revisions	Date	By/Par

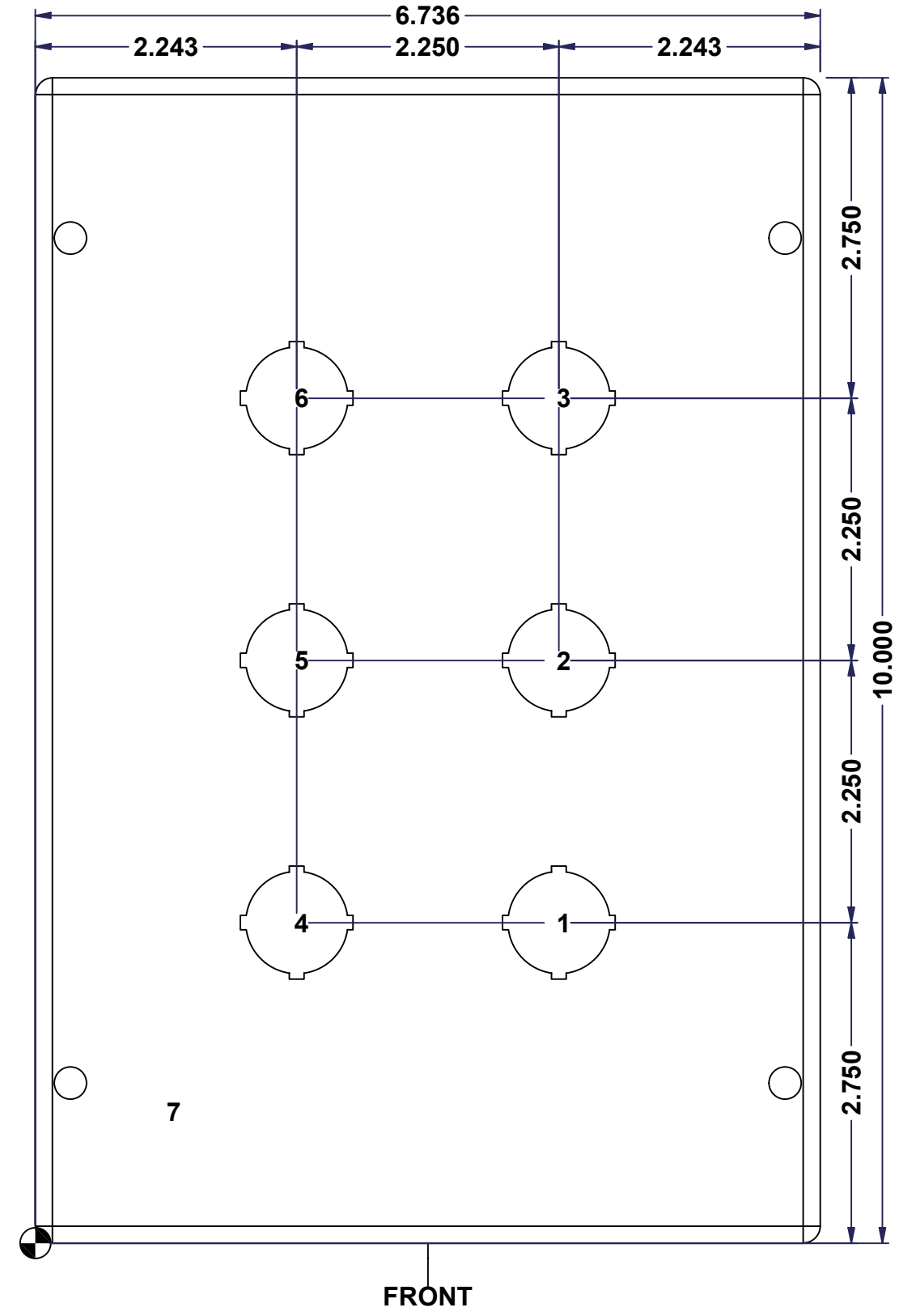
 Tél: (450) 979-4373 Fax: (450) 979-4626 www.exmweb.com		Flatness Aplatissement  Max 3.0mm	
		Projection 	
Customer Client		Date	
Drawn By Dessiné Par BoxCad: BoxCad		Date 01-Feb-24	
Material Matière 16 Ga Stainless Steel 304 (1.4mm)			
Color Couleur Unpainted		Finish Fini Brushed	
Description 1412SDSSMN 10" x 6.5" Cover			Detail Rev.
Part Number Numéro Pièce 1412SDSS090603MNC		Rev. 0	7 9

SEE BILL OF MATERIAL ON LAST PAGE

This drawing is confidential and must not be reproduced or used without the consent of EXM

Ce dessin est confidentiel et ne doit pas être reproduit ou utilisé sans le consentement de EXM

STANDARD FEATURES ARE NOT LISTED IN THIS HOLE TABLE			
HOLE TABLE - FRONT VIEW (CUSTOM FEATURE ONLY)			
CUT-OUT	XDIM	YDIM	DESCRIPTION
1	4.493	2.750	22.5 mm Miniature Pushbutton
2	4.493	5.000	22.5 mm Miniature Pushbutton
3	4.493	7.250	22.5 mm Miniature Pushbutton
4	2.243	2.750	22.5 mm Miniature Pushbutton
5	2.243	5.000	22.5 mm Miniature Pushbutton
6	2.243	7.250	22.5 mm Miniature Pushbutton
7	1.145	1.125	STANDOFF M6 x 10mm (Inside)

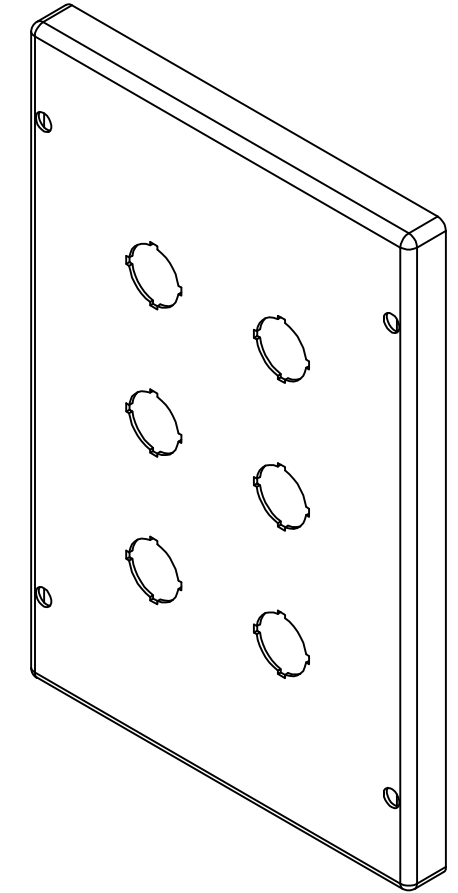


	Description	Status
	1412SDSSMN 10" x 6.5" Cover	(NULL)
	Part Number	Rev.
	1412SDSS090603MNC	8
		9

This drawing is confidential and must not be reproduced or used without the consent of EXM


Ce dessin est confidentiel et ne doit pas être reproduit ou utilisé sans le consentement de EXM

No.	Revisions	Date	By/Par



Isometric View



 Tél: (450) 979-4373 Fax: (450) 979-4626 www.exmweb.com		Flatness Aplatissement Max 3.0mm
Customer Client		Date
Drawn By / Dessiné Par: BoxCad: BoxCad		Date: 01-Feb-24
Material / Matière: 16 Ga Stainless Steel 304 (1.4mm)		
Color / Couleur: Unpainted	Finish / Fini: Brushed	
Description: 1412SDSSMN 10" x 6.5" Cover		Detail Rev.
Part Number / Numéro Pièce: 1412SDSS090603MNC		Rev. 0

Qty	Part Number	Rev	Description
1	STK-Q-08500	4	Stainless Steel Standoff M6 x 10mm
1	1412SDSS090603MNG	0	1412SDSS 10" x 6.5" Gasket
1	1412SDSS090603MNC-P	0	1412SDSSMN 10" x 6.5" Cover Part
Parts List			