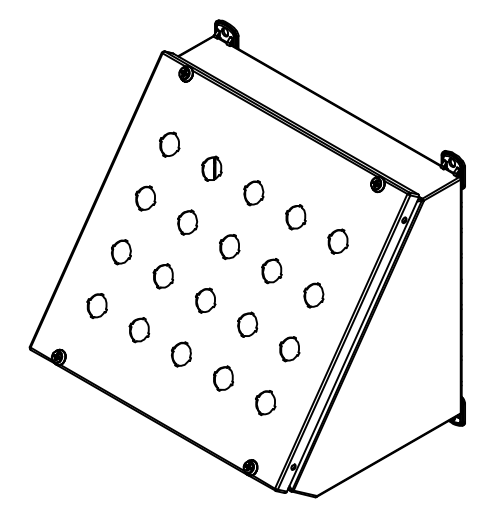
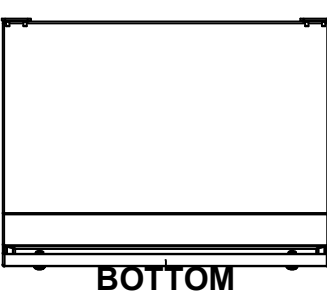
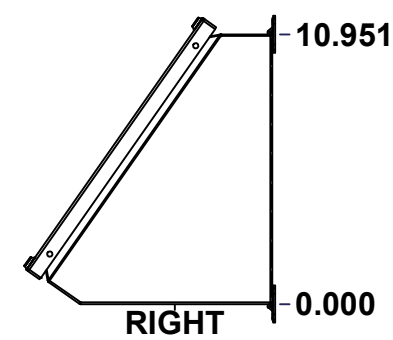
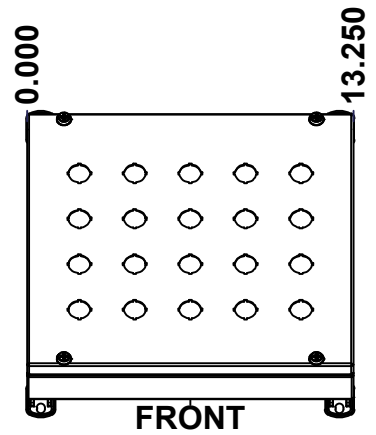
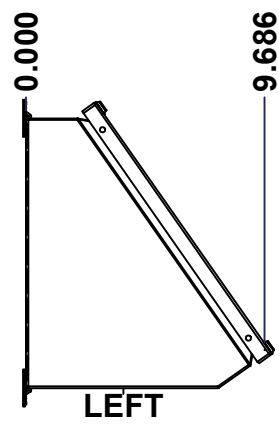
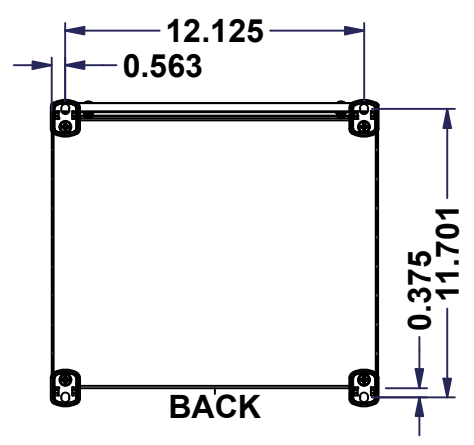
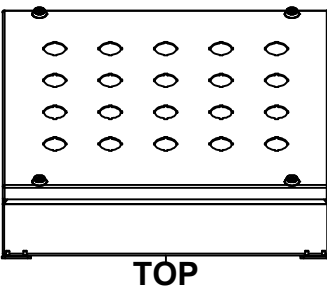


This drawing is confidential and must not be reproduced or used without the consent of EXM

Ce dessin est confidentiel et ne doit pas être reproduit ou utilisé sans le consentement de EXM



No.	Revisions	Date	By/Par

Tél: (450) 979-4373 Fax: (450) 979-4626 www.exmweb.com		Flatness Aplatissement Max 3.0mm Projection
Customer Client		Date
Drawn By Dessiné Par	BoxCad: BoxCad	Date 24-May-23
Material Matière	16 Ga Cold Rolled A1008 CS Type B (1.4mm)	
Color Couleur	Asa-61 Grey	Finish Fini Smooth
Description	1412SFMN 12.25" x 13.25" x 9.546" Assembly	
Part Number Numéro Pièce	1412SF111309MN	Detail Rev. Rev. 1 0

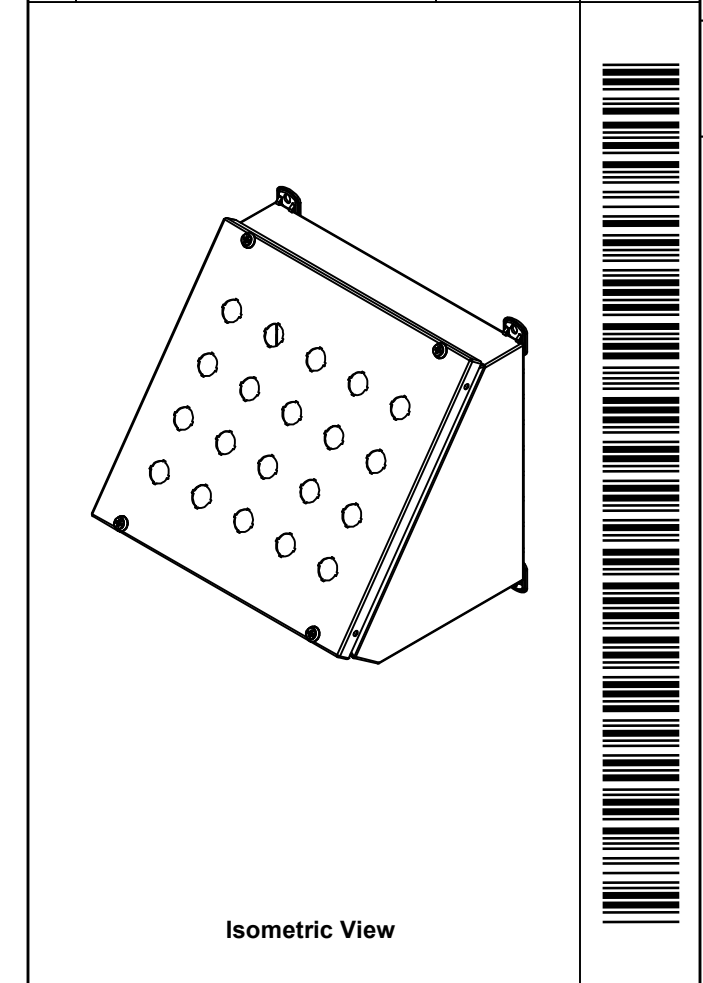
SEE BILL OF MATERIAL ON LAST PAGE


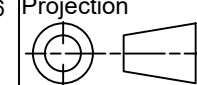
This drawing is confidential and must not be reproduced or used without the consent of EXM

Ce dessin est confidentiel et ne doit pas être reproduit ou utilisé sans le consentement de EXM

NOTE	
ITEM	DESCRIPTION
1	NEMA 4, 12 Enclosure (IP66)
2	C/W Standard ground standoffs on box and cover
3	W/O Standard door stiffener
4	W/O Inner panel
5	W/O Inner panel mounting standoffs
6	C/W 885 ESCHMF1 Mounting Feet (Installed)

No.	Revisions	Date	By/Par



 Tél: (450) 979-4373 Fax: (450) 979-4626 www.exmweb.com		Flatness Aplatissement Max 3.0mm Projection 
Customer Client	Date	
Drawn By Dessiné Par	BoxCad: BoxCad	Date 24-May-23
Material Matière	16 Ga Cold Rolled A1008 CS Type B (1.4mm)	
Color Couleur	Asa-61 Grey	Finish Fini Smooth
Description 1412SFMN 12.25" x 13.25" x 9.546" Assembly		Detail Rev.
Part Number Numéro Pièce	1412SF111309MN	Rev. 2 0 / 9

PACKING		
ITEM	QTY	DESCRIPTION
Cardboard sleeve	2	Top and Bottom
Cardboard strip	2	Between back of enclosure and inner panel
Plastic bag	1	To protect cover surface and inside gasket
Plastic strap - Black	2	To Squeeze the 2 cardboard sleeve together
Packaging label	1	White label with product number

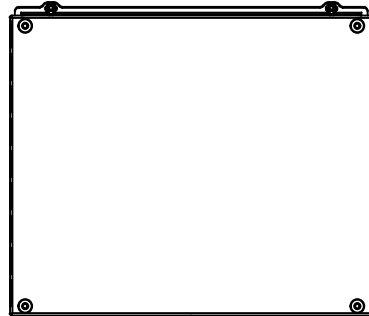
Qty	Part Number	Rev	Description
1	885 ESSCHMFQ	0	5412 ESSCH Mounting Feet Accessory Kit
1	STK-K-02920	3	5412 ESSC Accessory Kit
1	1412SF111309MNC	0	1412SFMN 12.25" x 13.25" Cover
1	1412SF111309MNB	0	1412SFMN 12.25" x 13.25" x 9.546" Body
Parts List			

This drawing is confidential and must not be reproduced or used without the consent of EXM

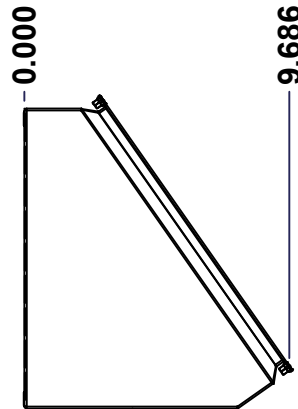
Ce dessin est confidentiel et ne doit pas être reproduit ou utilisé sans le consentement de EXM



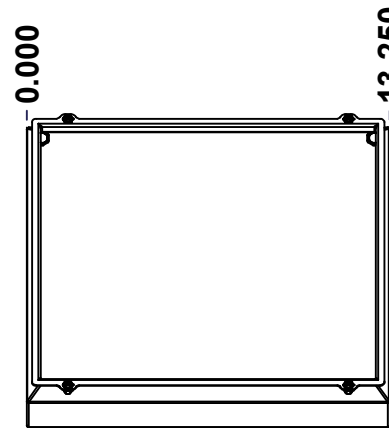
TOP



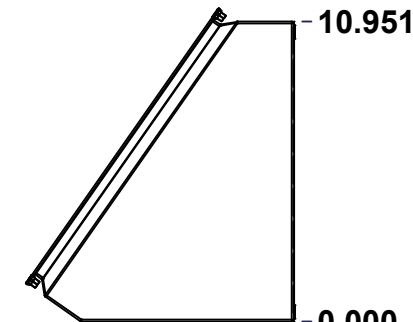
BACK



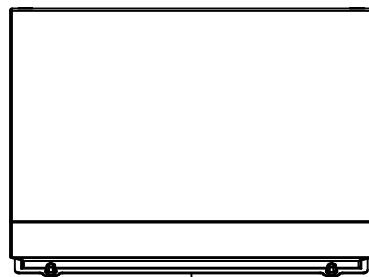
LEFT



FRONT

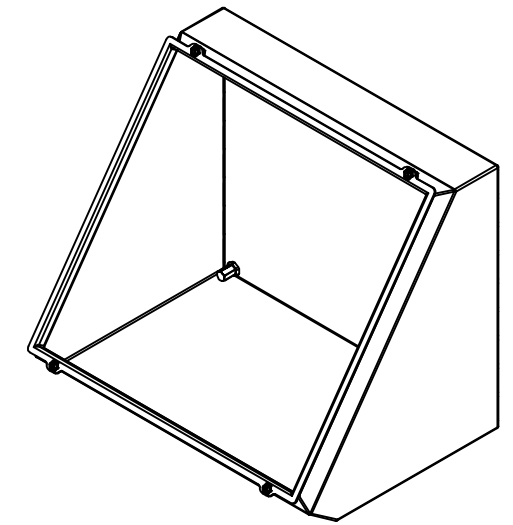


RIGHT



BOTTOM

No.	Revisions	Date	By/Par



Isometric View



Tél: (450) 979-4373
 Fax: (450) 979-4626
www.exmweb.com

Flatness
Aplatissement

Max 3.0mm

Projection



Customer Client	Date
Drawn By / Dessiné Par: BoxCad: BoxCad	Date: 24-May-23
Material / Matière: 16 Ga Cold Rolled A1008 CS Type B (1.4mm)	
Color / Couleur: Asa-61 Grey	Finish / Fini: Smooth
Description: 1412SFMN 12.25" x 13.25" x 9.546" Body	Detail Rev.
Part Number / Numéro Pièce: 1412SF111309MNB	Rev. 0
	3 / 9

SEE BILL OF MATERIAL ON LAST PAGE

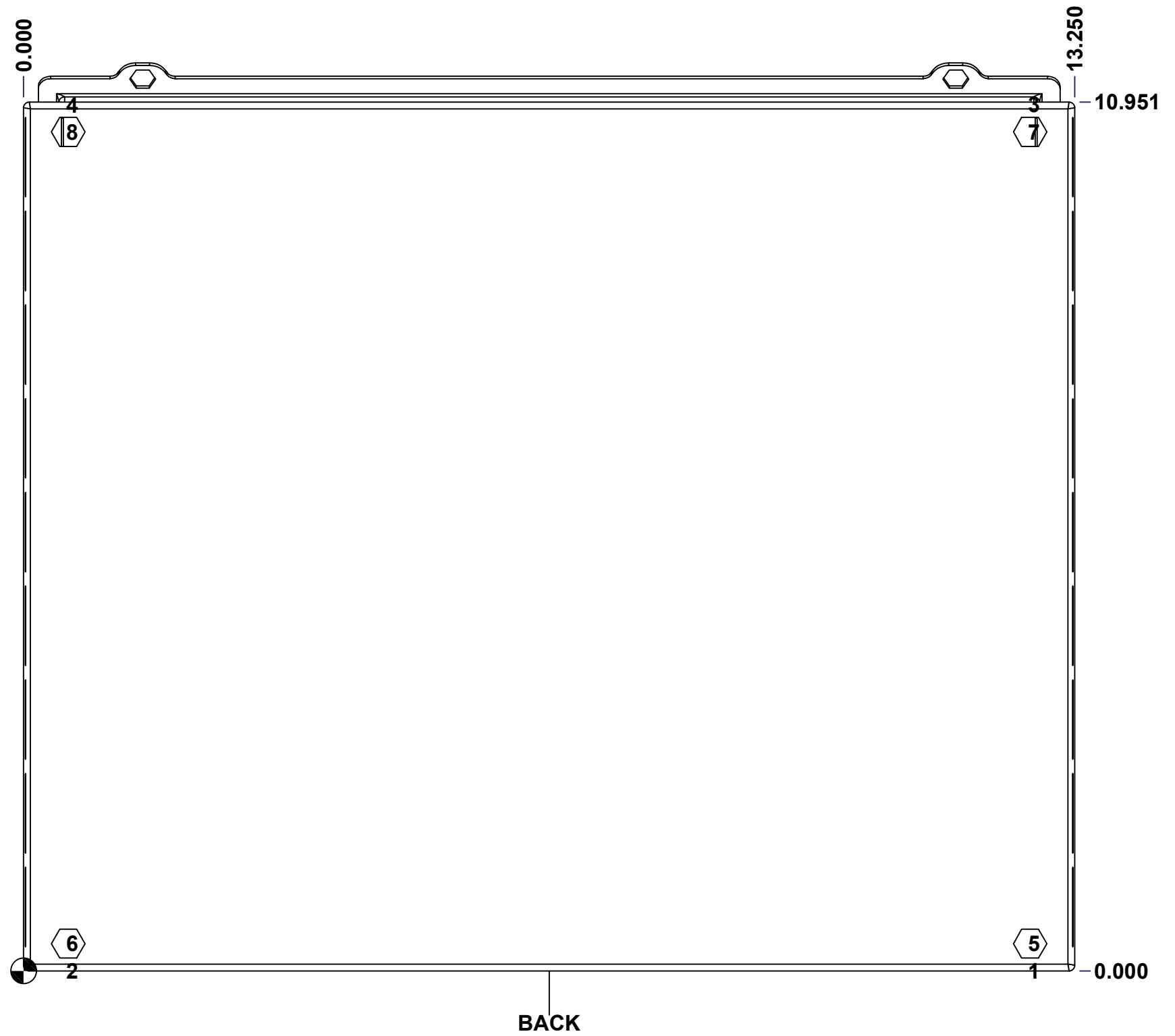
This drawing is confidential and must not be reproduced or used without the consent of EXM

Ce dessin est confidentiel et ne doit pas être reproduit ou utilisé sans le consentement de EXM

STANDARD FEATURES ARE NOT LISTED IN THIS HOLE TABLE

HOLE TABLE - BACK VIEW (CUSTOM FEATURE ONLY)

CUT-OUT	XDIM	YDIM	DESCRIPTION
1	12.687	0.000	FOOT 885 ESCHMF1
2	0.563	0.000	FOOT 885 ESCHMF1
3	12.687	10.919	FOOT 885 ESCHMF1
4	0.563	10.919	FOOT 885 ESCHMF1
5	12.687	0.344	RIVET NUT M6_FH_CE (Inside)
6	0.563	0.344	RIVET NUT M6_FH_CE (Inside)
7	12.687	10.575	RIVET NUT M6_FH_CE (Inside)
8	0.563	10.575	RIVET NUT M6_FH_CE (Inside)

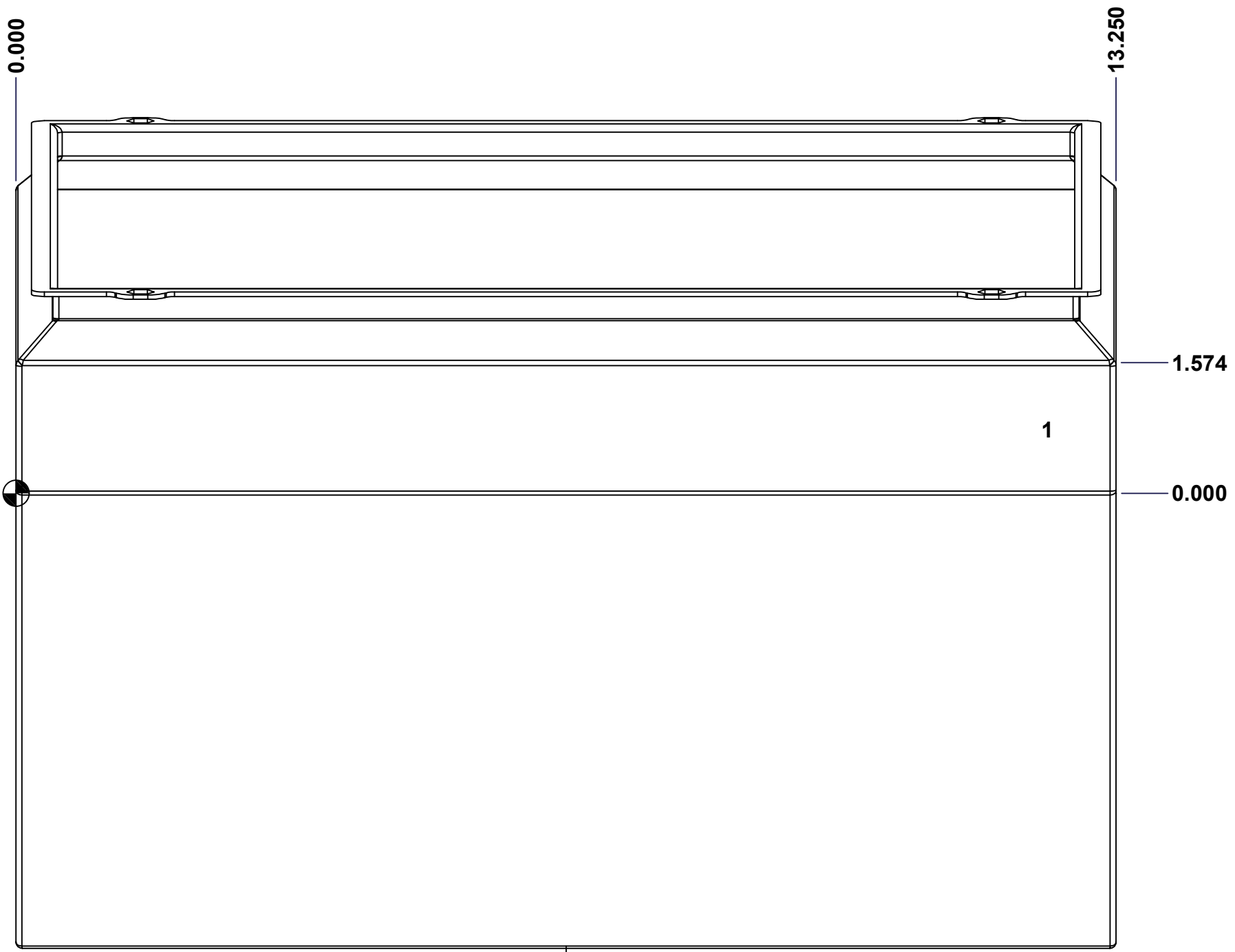


	Description	Status	
	1412SF 12.25" x 13.25" x 9.546" Body	(NULL)	
	Part Number	Rev.	4
	Numéro Pièce	0	9
1412SF111309MNB			

This drawing is confidential and must not be reproduced or used without the consent of EXM

Ce dessin est confidentiel et ne doit pas être reproduit ou utilisé sans le consentement de EXM

STANDARD FEATURES ARE NOT LISTED IN THIS HOLE TABLE			
HOLE TABLE - ANGLE VIEW (CUSTOM FEATURE ONLY)			
CUT-OUT	XDIM	YDIM	DESCRIPTION
1	12.375	0.742	STANDOFF M6 x 10mm (Inside)



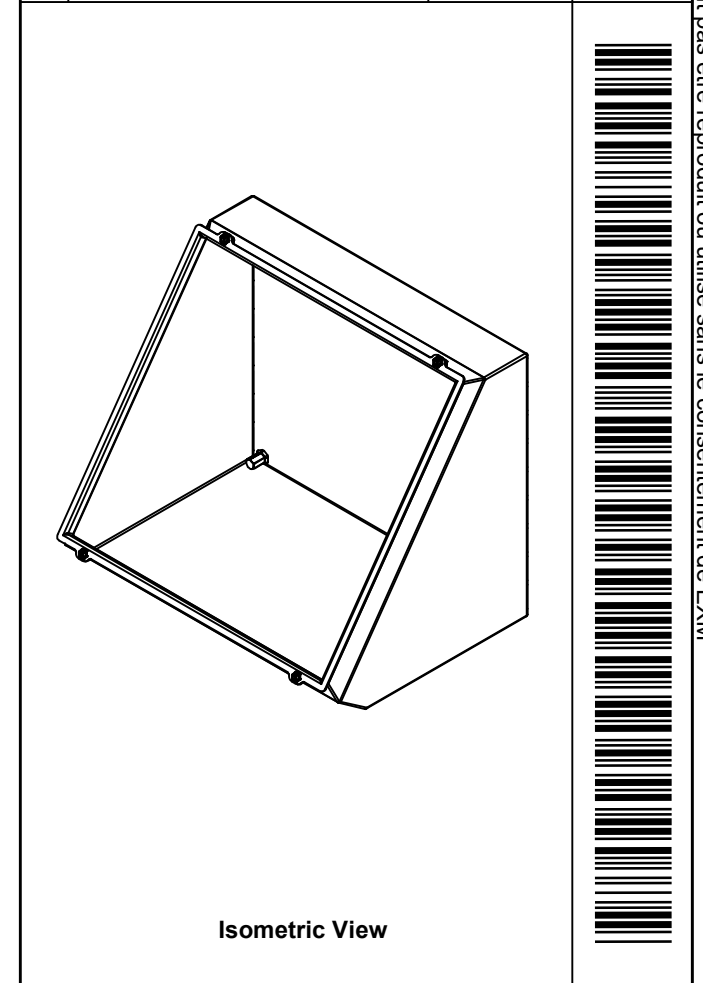
ANGLE

	Description		Status
	1412SF 12.25" x 13.25" x 9.546" Body		(NULL)
	Part Number Numéro Pièce		Rev.
	1412SF111309MNB		0 / 5 / 9

This drawing is confidential and must not be reproduced or used without the consent of EXM

Ce dessin est confidentiel et ne doit pas être reproduit ou utilisé sans le consentement de EXM

No.	Revisions	Date	By/Par

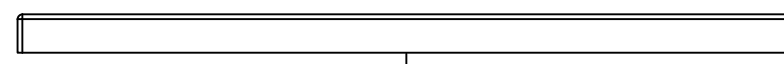


Tél: (450) 979-4373 Fax: (450) 979-4626 www.exmweb.com		Flatness Aplatissement	
		Max 3.0mm	
Customer Client		Date	
Drawn By Dessiné Par		Date 24-May-23	
Material Matière		16 Ga Cold Rolled A1008 CS Type B (1.4mm)	
Color Couleur		Asa-61 Grey	Finish Fini
Description		Detail Rev.	
Part Number Numéro Pièce		Rev.	6
1412SF111309MNB		0	9

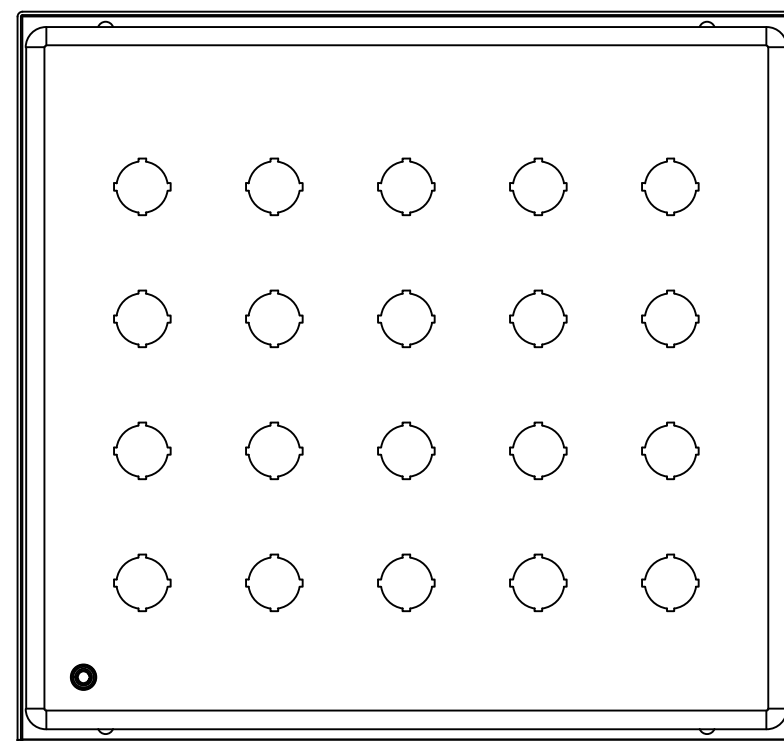
Qty	Part Number	Rev	Description
4	RIVET_NUT_M6_FH_CE	0	Rivet Nut M6 (Low Profile Close End)
1	STK-Q-08350	5	Standoff M6 x 10mm
1	STK-P-02400S	0	Powder Paint (Asa-61 Grey / Smooth)
1	1412SF111309MNB-P	0	1412SF 12.25" x 13.25" x 9.546" Body Part
4	RIVET_NUT_M5_FH_OE	0	Rivet Nut M5 (Low Profile Open End)
Parts List			

This drawing is confidential and must not be reproduced or used without the consent of EXM

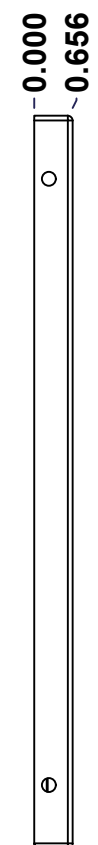
Ce dessin est confidentiel et ne doit pas être reproduit ou utilisé sans le consentement de EXM



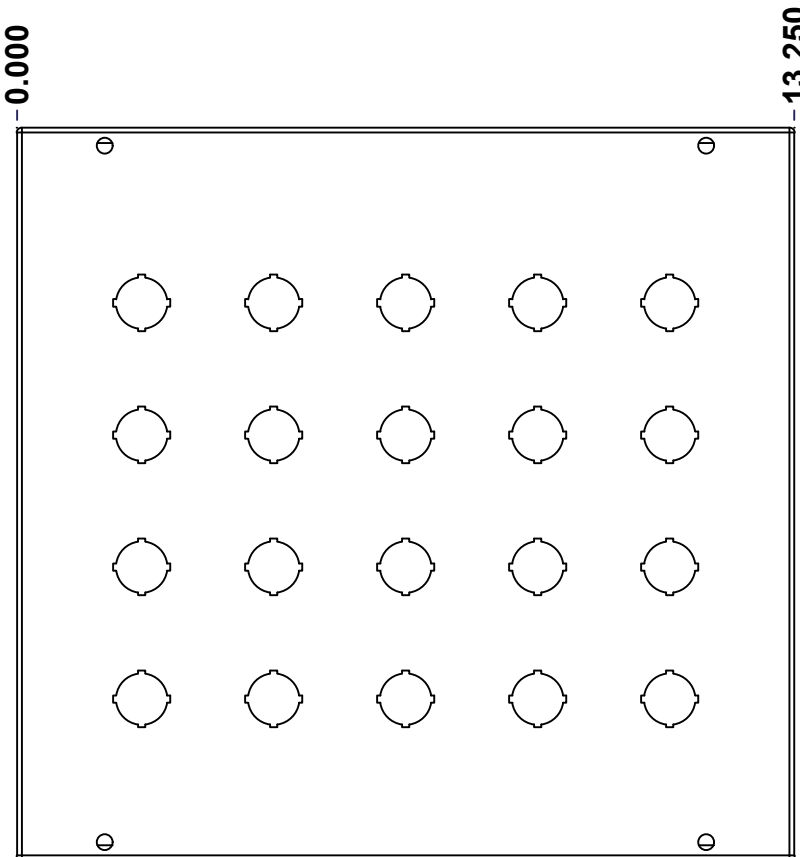
TOP



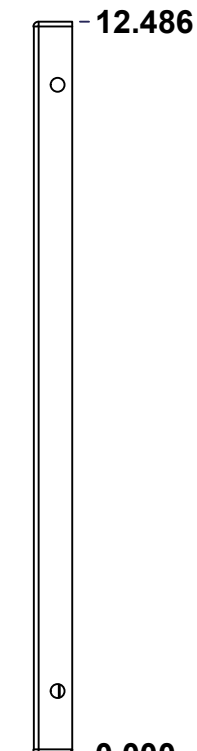
BACK



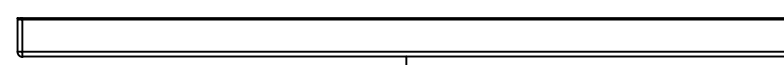
LEFT



FRONT

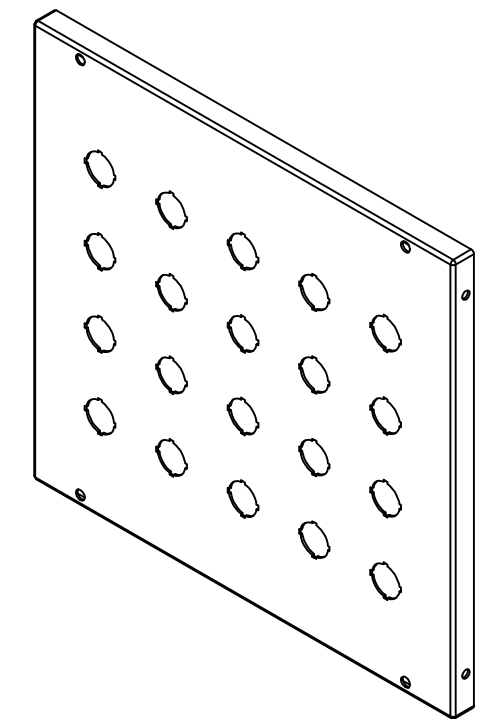


RIGHT



BOTTOM

No.	Revisions	Date	By/Par



Isometric View



Tél: (450) 979-4373
 Fax: (450) 979-4626
www.exmweb.com

Flatness
Aplatissement
Max 3.0mm
Projection

Customer Client	Date
Drawn By / Dessiné Par: BoxCad: BoxCad	Date: 24-May-23
Material / Matière: 16 Ga Cold Rolled A1008 CS Type B (1.4mm)	

Color / Couleur: Asa-61 Grey	Finish / Fini: Smooth
------------------------------	-----------------------

Description: 1412SFMN 12.25" x 13.25" Cover	Detail Rev.
---	-------------

Part Number / Numéro Pièce: 1412SF111309MNC	Rev. 0	7/9
---	--------	-----

SEE BILL OF MATERIAL ON LAST PAGE

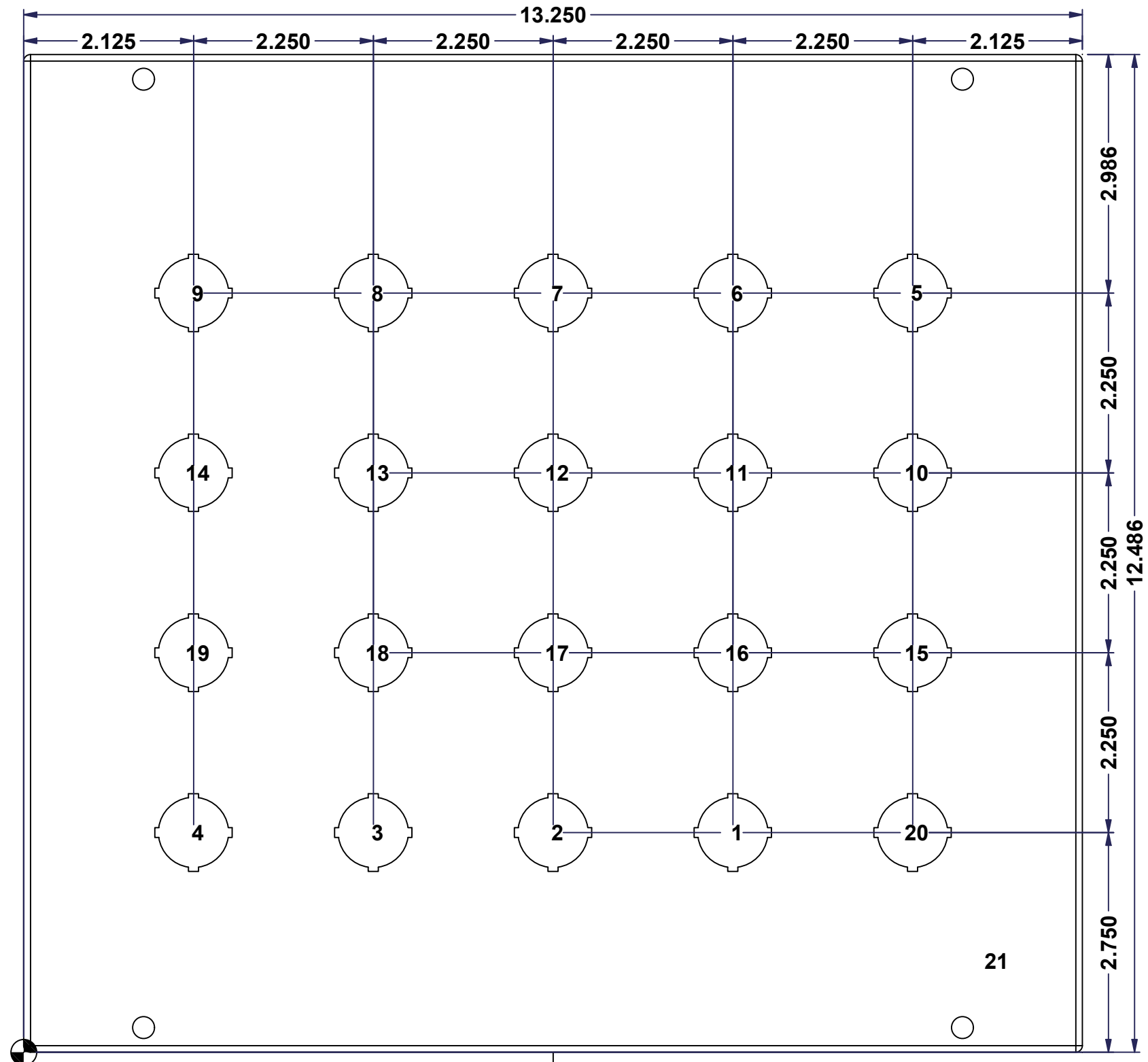
This drawing is confidential and must not be reproduced or used without the consent of EXM

Ce dessin est confidentiel et ne doit pas être reproduit ou utilisé sans le consentement de EXM

STANDARD FEATURES ARE NOT LISTED IN THIS HOLE TABLE

HOLE TABLE - FRONT VIEW (CUSTOM FEATURE ONLY)

CUT-OUT	XDIM	YDIM	DESCRIPTION
1	8.875	2.750	22.5 mm Miniature Pushbutton
2	6.625	2.750	22.5 mm Miniature Pushbutton
3	4.375	2.750	22.5 mm Miniature Pushbutton
4	2.125	2.750	22.5 mm Miniature Pushbutton
5	11.125	9.500	22.5 mm Miniature Pushbutton
6	8.875	9.500	22.5 mm Miniature Pushbutton
7	6.625	9.500	22.5 mm Miniature Pushbutton
8	4.375	9.500	22.5 mm Miniature Pushbutton
9	2.125	9.500	22.5 mm Miniature Pushbutton
10	11.125	7.250	22.5 mm Miniature Pushbutton
11	8.875	7.250	22.5 mm Miniature Pushbutton
12	6.625	7.250	22.5 mm Miniature Pushbutton
13	4.375	7.250	22.5 mm Miniature Pushbutton
14	2.125	7.250	22.5 mm Miniature Pushbutton
15	11.125	5.000	22.5 mm Miniature Pushbutton
16	8.875	5.000	22.5 mm Miniature Pushbutton
17	6.625	5.000	22.5 mm Miniature Pushbutton
18	4.375	5.000	22.5 mm Miniature Pushbutton
19	2.125	5.000	22.5 mm Miniature Pushbutton
20	11.125	2.750	22.5 mm Miniature Pushbutton
21	12.125	1.145	STANDOFF M6 x 10mm (Inside)



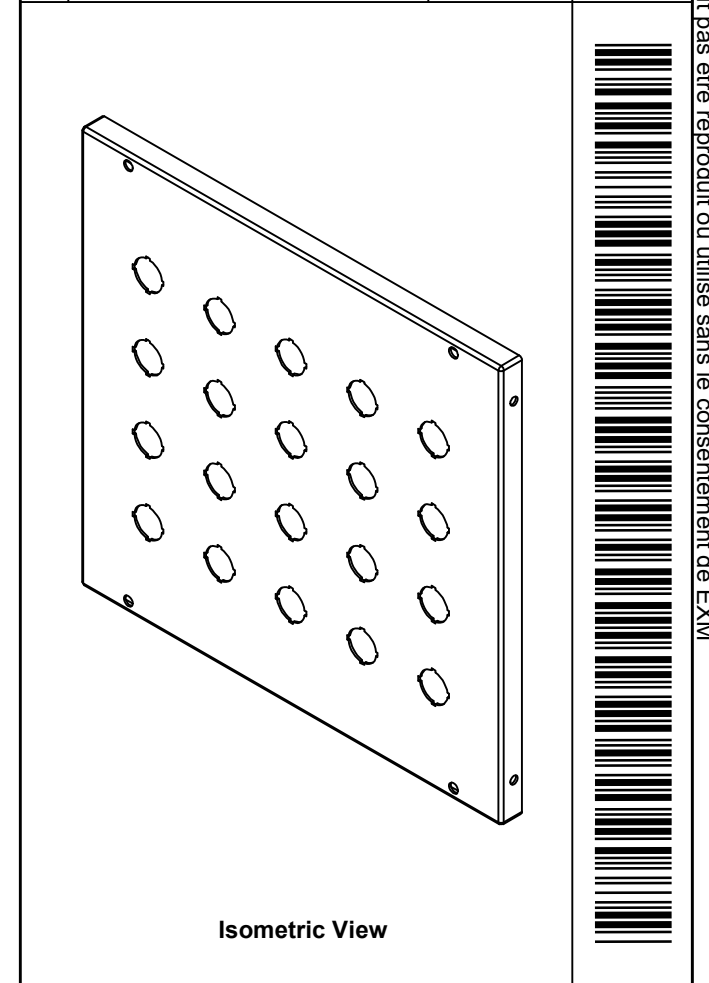
FRONT

	Description	Status
	1412SF 12.25" x 13.25" Cover	(NULL)
	Part Number Numéro Pièce	Rev.
	1412SF111309MNC	0
		8
		9


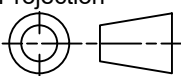
This drawing is confidential and must not be reproduced or used without the consent of EXM

Ce dessin est confidentiel et ne doit pas être reproduit ou utilisé sans le consentement de EXM

No.	Revisions	Date	By/Par



Isometric View

 Tél: (450) 979-4373 Fax: (450) 979-4626 www.exmweb.com		Flatness Aplatissement Max 3.0mm Projection 
Customer Client	Date	
Drawn By Dessiné Par	BoxCad: BoxCad	Date 24-May-23
Material Matière	16 Ga Cold Rolled A1008 CS Type B (1.4mm)	
Color Couleur	Asa-61 Grey	Finish Fini Smooth
Description		Detail Rev.
1412SFMN 12.25" x 13.25" Cover		
Part Number Numéro Pièce	Rev.	9
1412SF111309MNC	0	9

Qty	Part Name	Rev	Description
1	STK-Q-08350	5	Standoff M6 x 10mm
1	1412SF111309MNG	0	1412SF 12.25" x 13.25" Gasket
1	1412SF111309MNC-P	0	1412SF 12.25" x 13.25" Cover Part
1	STK-P-02400S	0	Powder Paint (Asa-61 Grey / Smooth)
Parts List			