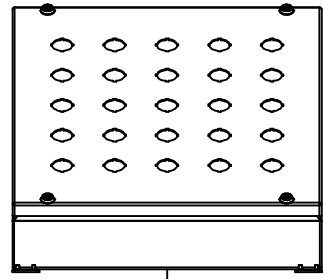
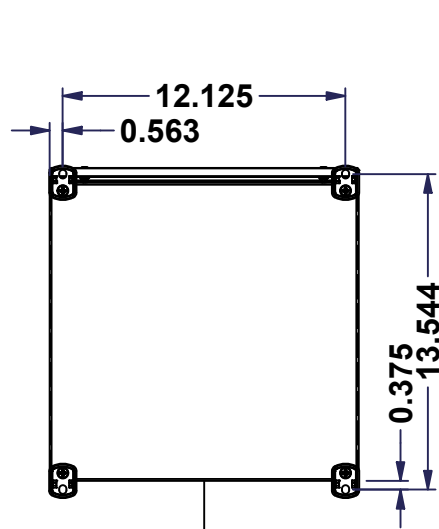


This drawing is confidential and must not be reproduced or used without the consent of EXM

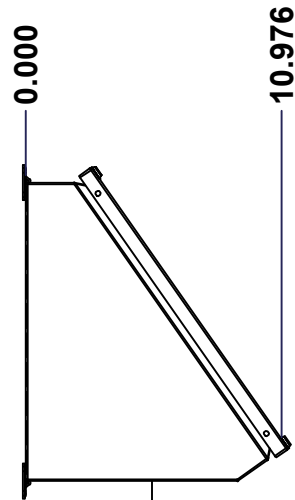
Ce dessin est confidentiel et ne doit pas être reproduit ou utilisé sans le consentement de EXM



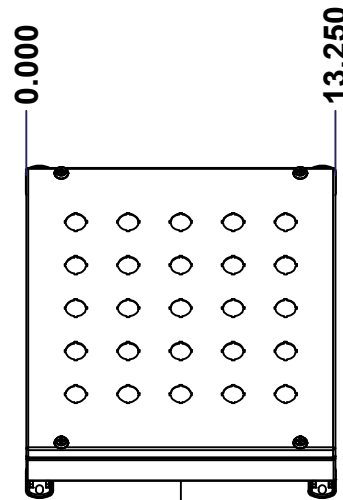
TOP



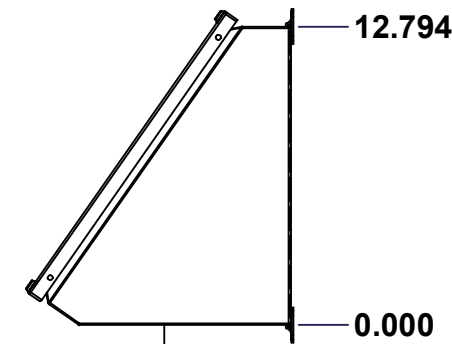
BACK



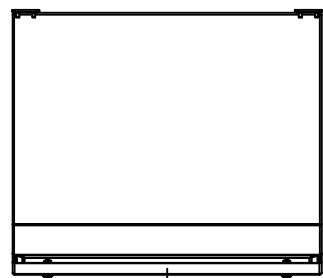
LEFT



FRONT

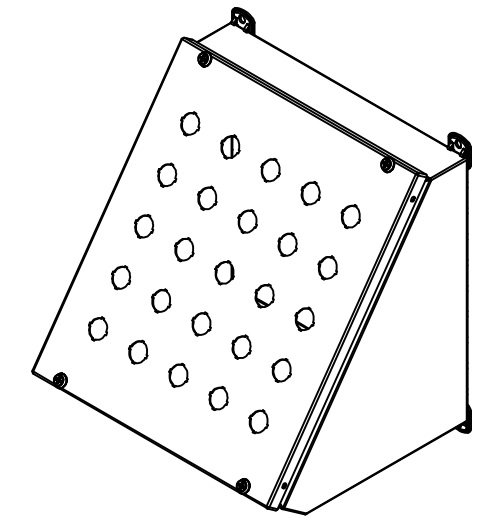


RIGHT



BOTTOM

No.	Revisions	Date	By/Par



Isometric View



Tél: (450) 979-4373
 Fax: (450) 979-4626
www.exmweb.com

Flatness
Aplatissement

Max 3.0mm

Projection



Customer Client	Date
Drawn By Dessiné Par BoxCad: BoxCad	Date 05-Sep-25
Material Matière 16 Ga Cold Rolled A1008 CS Type B (1.4mm)	
Color Couleur Asa-61 Grey	Finish Fini Smooth
Description 1412SFMN 14.5" x 13.25" x 10.837" Assembly	Detail Rev.
Part Number Numéro Pièce 1412SF141310MN	Rev. 0

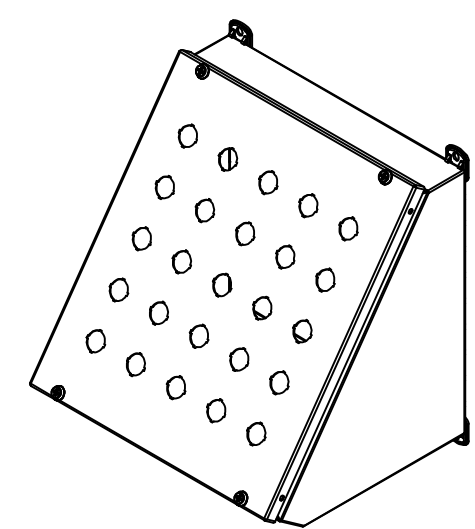
SEE BILL OF MATERIAL ON LAST PAGE

This drawing is confidential and must not be reproduced or used without the consent of EXM

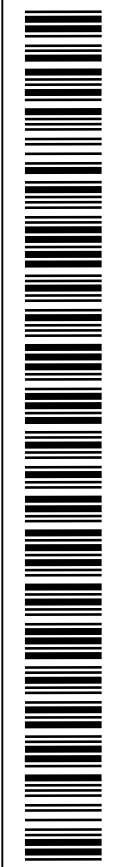
Ce dessin est confidentiel et ne doit pas être reproduit ou utilisé sans le consentement de EXM

NOTE	
ITEM	DESCRIPTION
1	NEMA 4, 12 Enclosure (IP66)
2	C/W Standard ground standoffs on box and cover
3	W/O Standard door stiffener
4	W/O Inner panel
5	W/O Inner panel mounting standoffs
6	C/W 885 ESCHMF1 Mounting Feet (Installed)

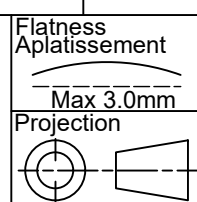
No.	Revisions	Date	By/Par



Isometric View



Tél: (450) 979-4373
 Fax: (450) 979-4626
www.exmweb.com



Customer Client	Date
Drawn By / Dessiné Par: BoxCad: BoxCad	Date: 05-Sep-25
Material / Matière: 16 Ga Cold Rolled A1008 CS Type B (1.4mm)	

Color / Couleur: Asa-61 Grey	Finish / Fini: Smooth
------------------------------	-----------------------

Description: 1412SFMN 14.5" x 13.25" x 10.837" Assembly	Detail Rev.
---	-------------

Part Number / Numéro Pièce: 1412SF141310MN	Rev. 0	2/9
---	--------	-----

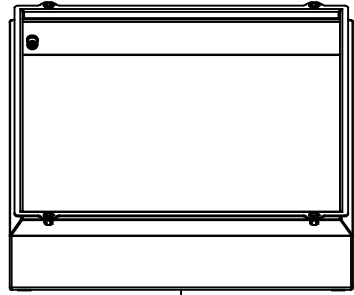
PACKING		
ITEM	QTY	DESCRIPTION
Cardboard sleeve	2	Top and Bottom
Cardboard strip	2	Between back of enclosure and inner panel
Plastic bag	1	To protect cover surface and inside gasket
Plastic strap - Black	2	To Squeeze the 2 cardboard sleeve together
Packaging label	1	White label with product number

Qty	Part Number	Rev	Description
1	885 ESSCHMFQ	0	5412 ESSCH Mounting Feet Accessory Kit
1	STK-K-02920	3	5412 ESSC Accessory Kit
1	1412SF141310MNC	0	1412SFMN 14.5" x 13.25" Cover
1	1412SF141310MNB	0	1412SFMN 14.5" x 13.25" x 10.837" Body

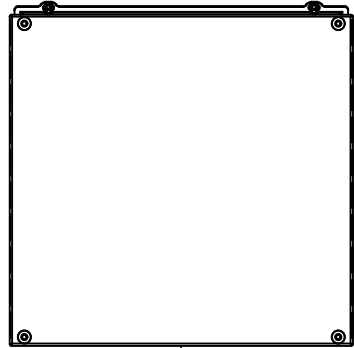
Parts List

This drawing is confidential and must not be reproduced or used without the consent of EXM

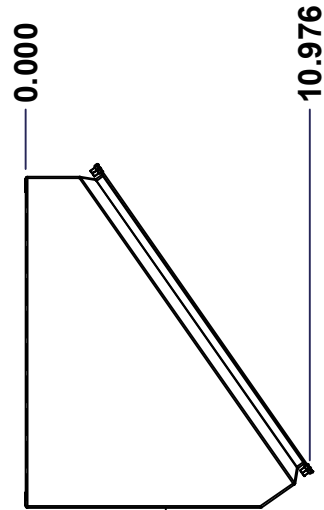
Ce dessin est confidentiel et ne doit pas être reproduit ou utilisé sans le consentement de EXM



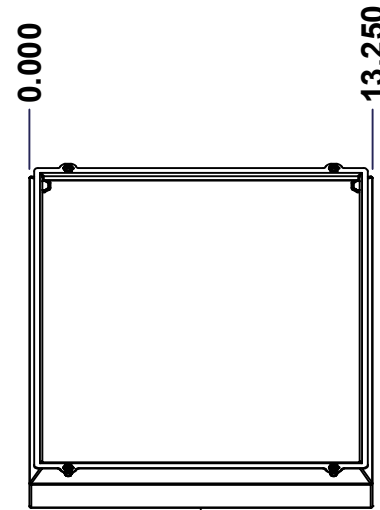
TOP



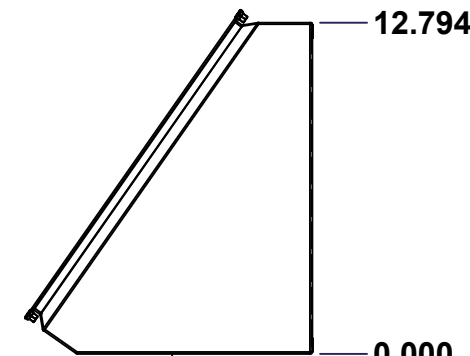
BACK



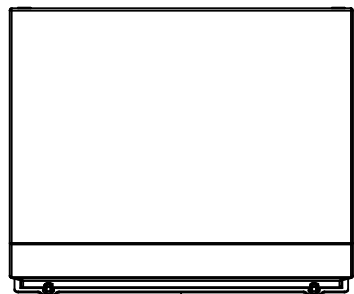
LEFT



FRONT

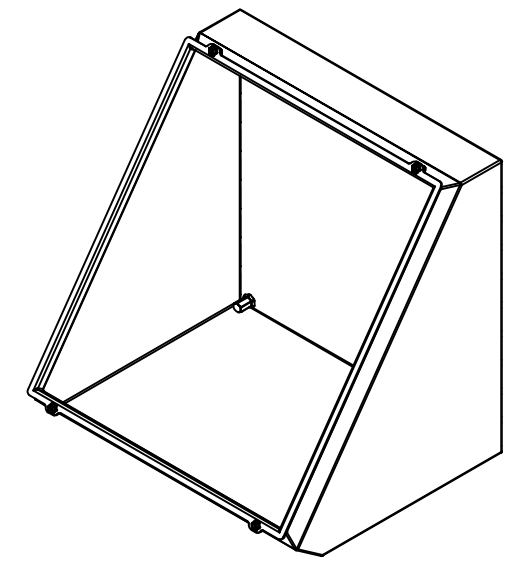


RIGHT



BOTTOM

No.	Revisions	Date	By/Par



Isometric View



Tél: (450) 979-4373
 Fax: (450) 979-4626
www.exmweb.com

Flatness
Aplatissement

Max 3.0mm

Projection



Customer Client	Date
Drawn By / Dessiné Par: BoxCad: BoxCad	Date: 05-Sep-25
Material / Matière: 16 Ga Cold Rolled A1008 CS Type B (1.4mm)	
Color / Couleur: Asa-61 Grey	Finish / Fini: Smooth
Description: 1412SFMN 14.5" x 13.25" x 10.837" Body	Detail Rev.
Part Number / Numéro Pièce: 1412SF141310MNB	Rev. 3
SEE BILL OF MATERIAL ON LAST PAGE	0

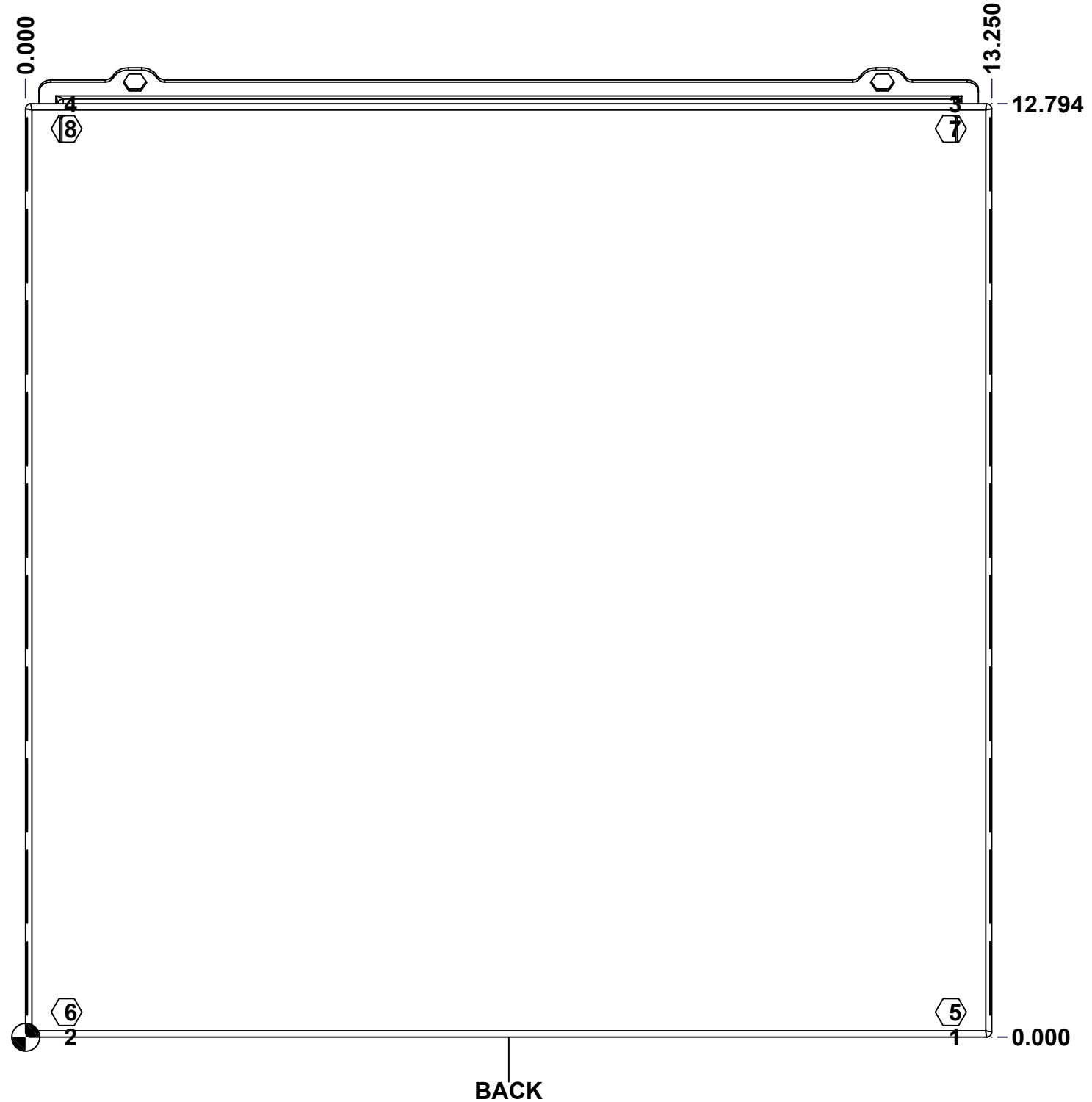
This drawing is confidential and must not be reproduced or used without the consent of EXM

Ce dessin est confidentiel et ne doit pas être reproduit ou utilisé sans le consentement de EXM

STANDARD FEATURES ARE NOT LISTED IN THIS HOLE TABLE

HOLE TABLE - BACK VIEW (CUSTOM FEATURE ONLY)

CUT-OUT	XDIM	YDIM	DESCRIPTION
1	12.687	0.000	FOOT 885 ESCHMF1
2	0.563	0.000	FOOT 885 ESCHMF1
3	12.687	12.794	FOOT 885 ESCHMF1
4	0.563	12.794	FOOT 885 ESCHMF1
5	12.687	0.344	RIVET NUT M6_FH_CE (Inside)
6	0.563	0.344	RIVET NUT M6_FH_CE (Inside)
7	12.687	12.450	RIVET NUT M6_FH_CE (Inside)
8	0.563	12.450	RIVET NUT M6_FH_CE (Inside)

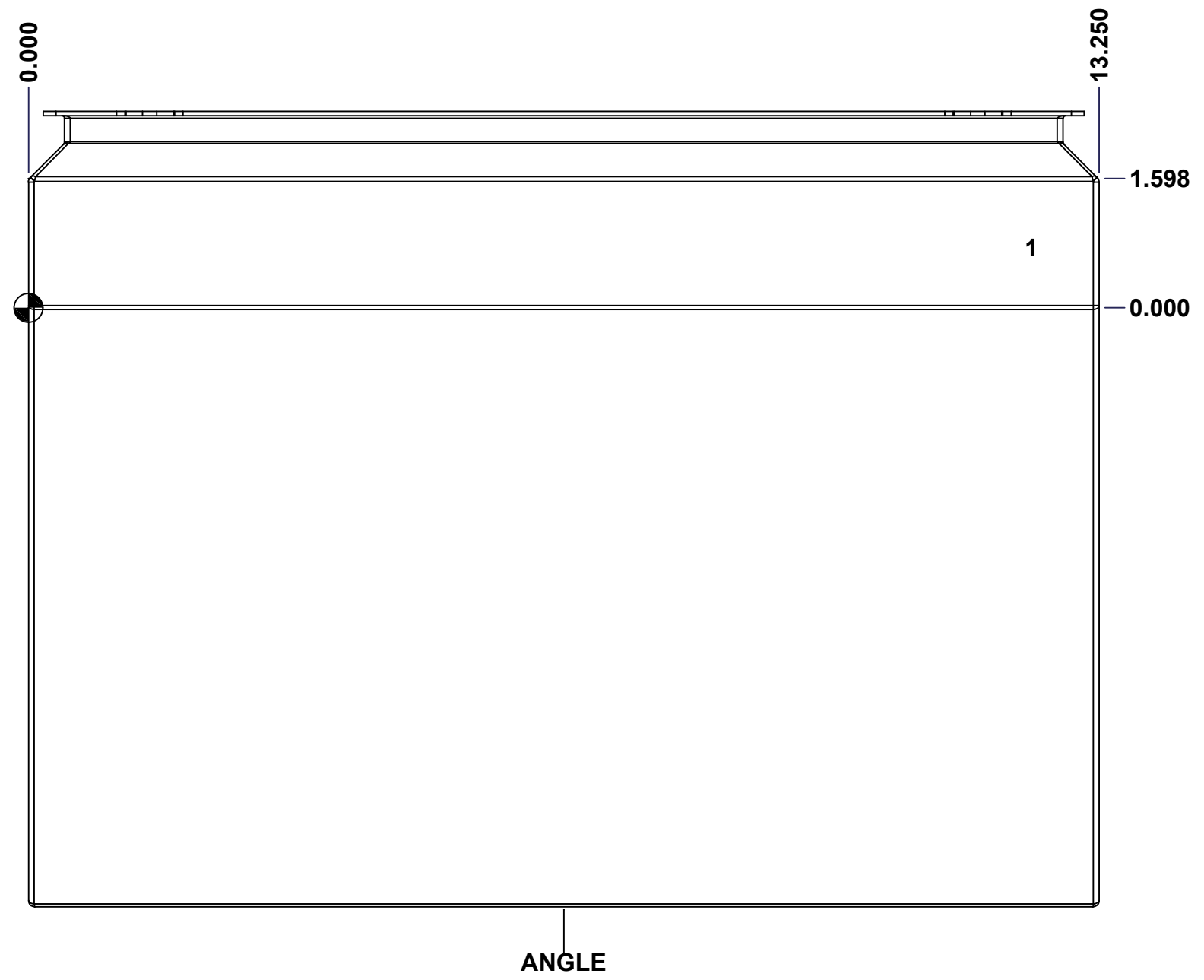


	Description 1412SFMN 14.5" x 13.25" x 10.837" Body	Status (NULL)
	Part Number Numéro Pièce 1412SF141310MNB	Rev. 4 0 / 9

This drawing is confidential and must not be reproduced or used without the consent of EXM

Ce dessin est confidentiel et ne doit pas être reproduit ou utilisé sans le consentement de EXM

STANDARD FEATURES ARE NOT LISTED IN THIS HOLE TABLE			
HOLE TABLE - ANGLE VIEW (CUSTOM FEATURE ONLY)			
CUT-OUT	XDIM	YDIM	DESCRIPTION
1	12.375	0.742	STANDOFF M6 x 10mm (Inside)

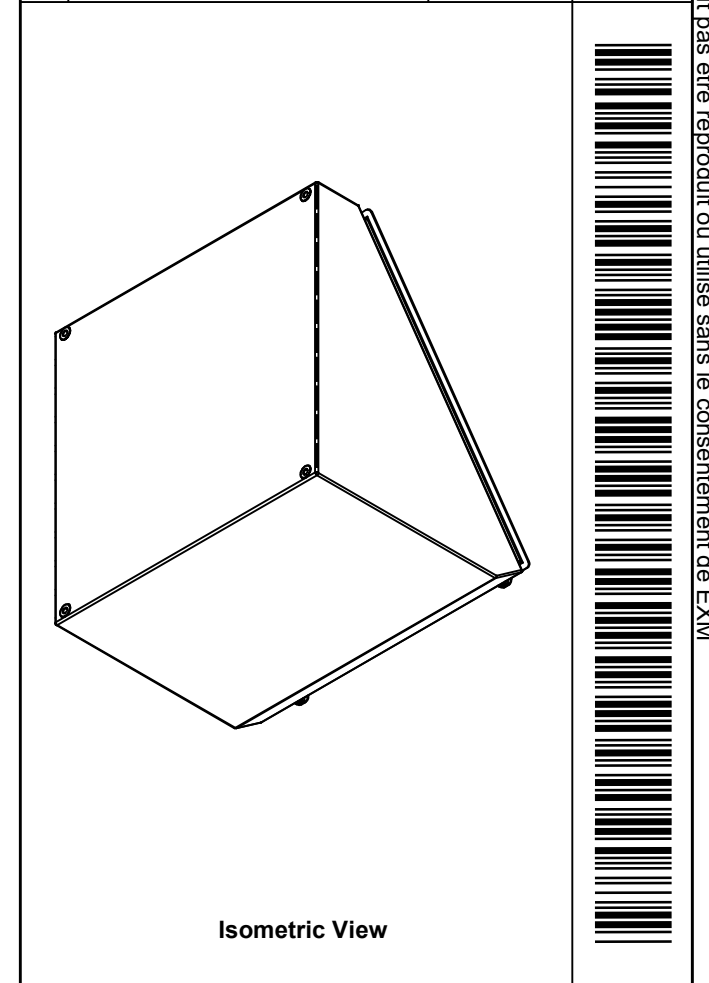



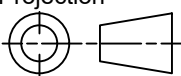
	Description	Status	
	1412SFMN 14.5" x 13.25" x 10.837" Body	(NULL)	
	Part Number Numéro Pièce	Rev.	
	1412SF141310MNB	0	5 9

This drawing is confidential and must not be reproduced or used without the consent of EXM

Ce dessin est confidentiel et ne doit pas être reproduit ou utilisé sans le consentement de EXM

No.	Revisions	Date	By/Par

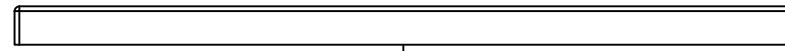


 Tél: (450) 979-4373 Fax: (450) 979-4626 www.exmweb.com		Flatness Aplatissement Max 3.0mm Projection 
Customer Client	Date	
Drawn By Dessiné Par	BoxCad: BoxCad	Date 05-Sep-25
Material Matière	16 Ga Cold Rolled A1008 CS Type B (1.4mm)	
Color Couleur	Asa-61 Grey	Finish Fini Smooth
Description		Detail Rev.
1412SFMN 14.5" x 13.25" x 10.837" Body		
Part Number Numéro Pièce	Rev.	6
1412SF141310MNB	0	9

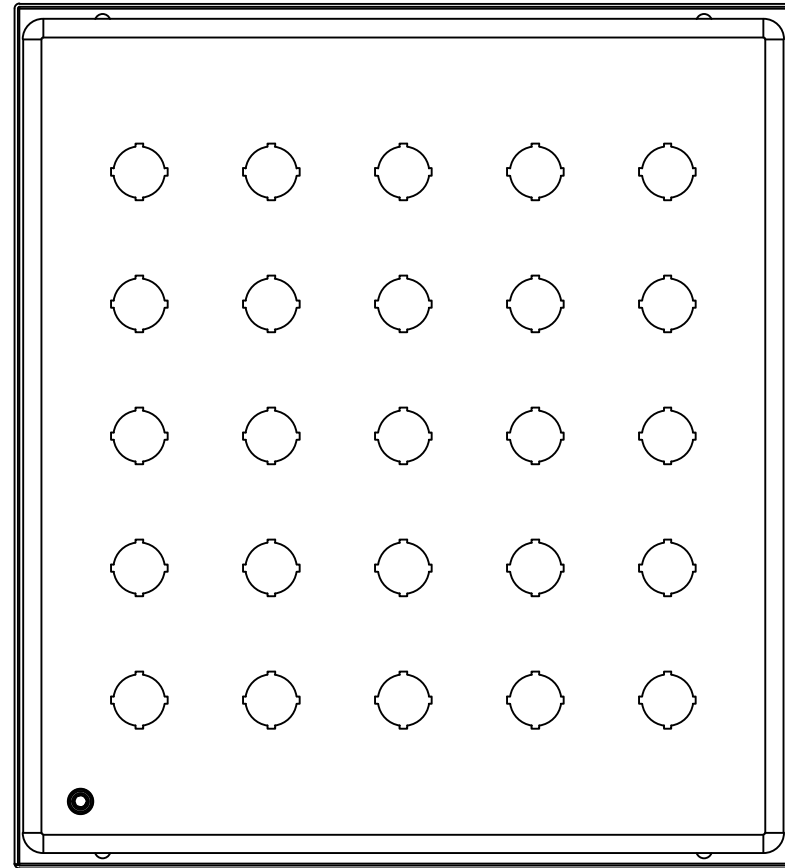
Qty	Part Number	Rev	Description
4	RIVET_NUT_M6_FH_CE	0	Rivet Nut M6 (Low Profile Close End)
1	STK-Q-08350	5	Standoff M6 x 10mm
1	STK-P-02400S	0	Powder Paint (Asa-61 Grey / Smooth)
4	RIVET_NUT_M5_FH_OE	0	Rivet Nut M5 (Low Profile Open End)
1	1412SF141310MNB-P	0	1412SFMN 14.5" x 13.25" x 10.837" Body Part
Parts List			

This drawing is confidential and must not be reproduced or used without the consent of EXM

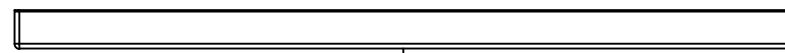
Ce dessin est confidentiel et ne doit pas être reproduit ou utilisé sans le consentement de EXM



TOP

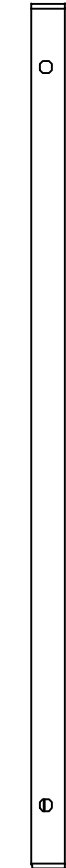


BACK



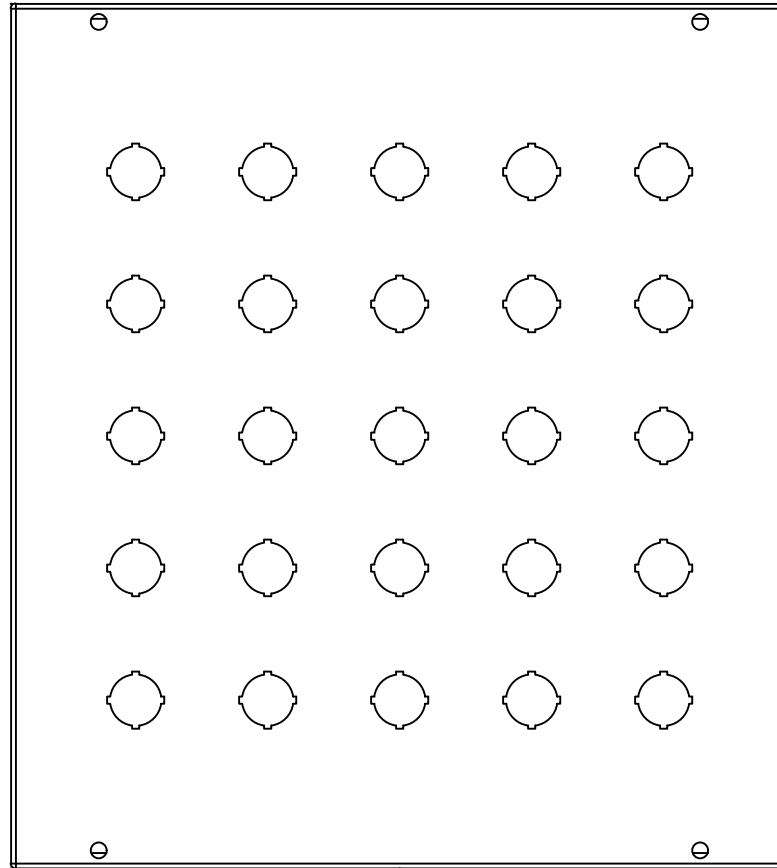
BOTTOM

0.000
0.656



LEFT

0.000
13.250



FRONT

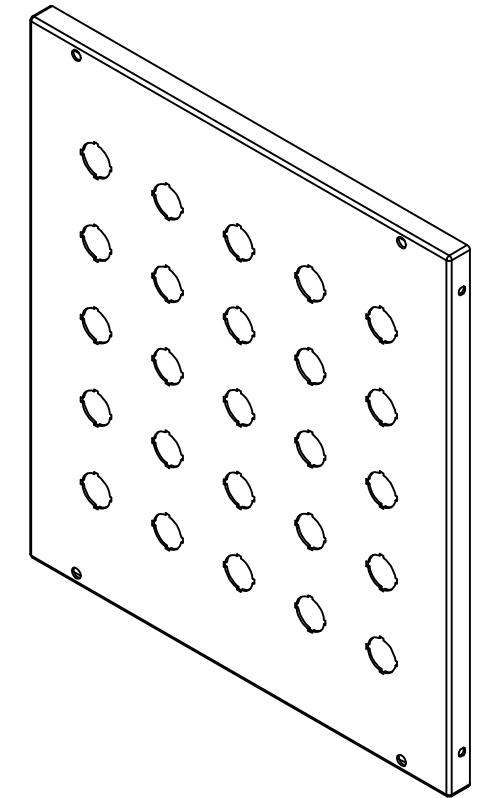
14.736



RIGHT

0.000

No.	Revisions	Date	By/Par



Isometric View

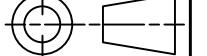


Tél: (450) 979-4373
Fax: (450) 979-4626
www.exmweb.com

Flatness
Aplatissement

Max 3.0mm

Projection



Customer Client	Date
Drawn By / Dessiné Par: BoxCad: BoxCad	Date: 05-Sep-25
Material / Matière: 16 Ga Cold Rolled A1008 CS Type B (1.4mm)	

Color / Couleur: Asa-61 Grey	Finish / Fini: Smooth
------------------------------	-----------------------

Description: 1412SFMN 14.5" x 13.25" Cover	Detail Rev.
--	-------------

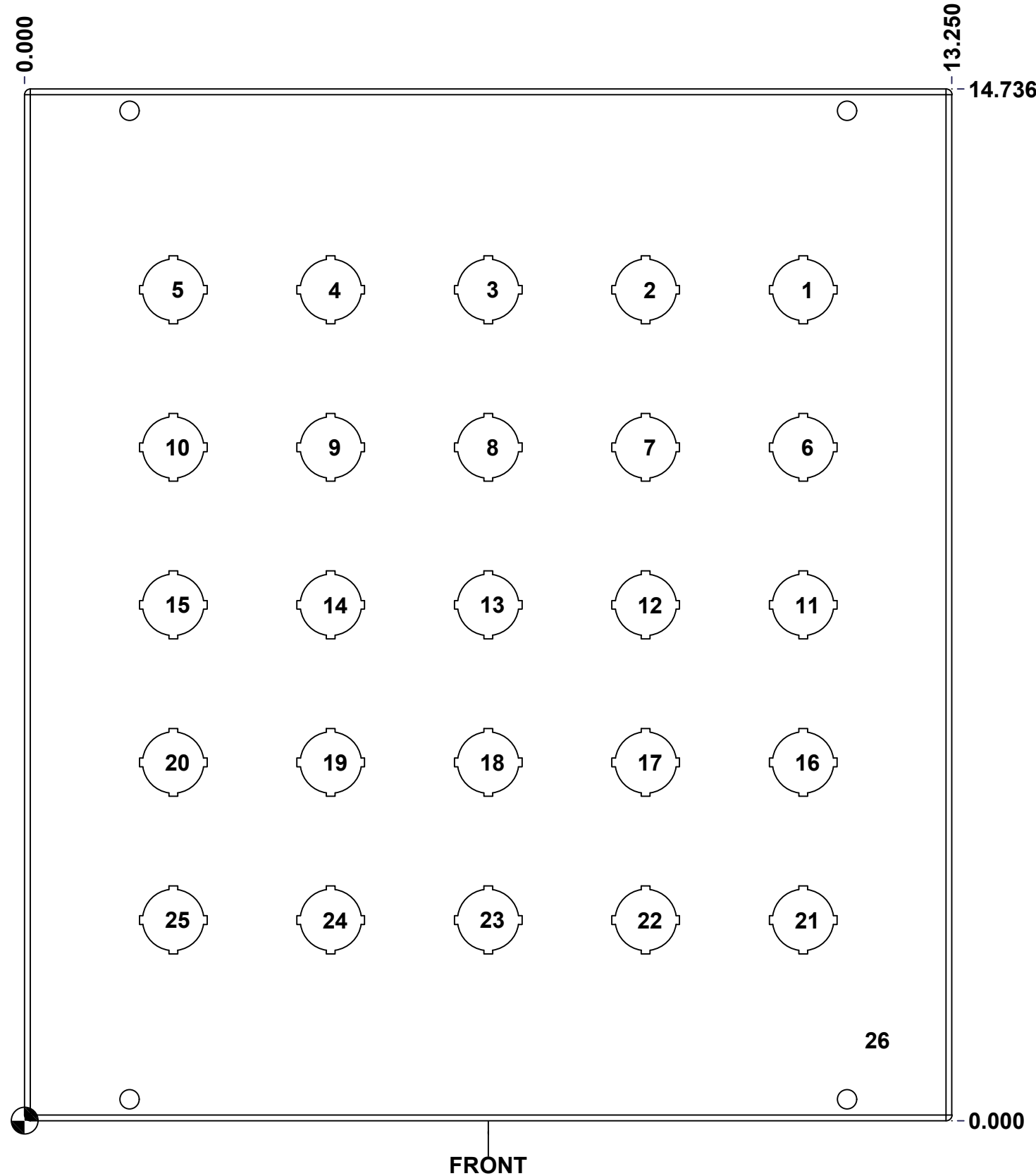
Part Number / Numéro Pièce: 1412SF141310MNC	Rev. 0	7	9
---	--------	---	---

SEE BILL OF MATERIAL ON LAST PAGE

This drawing is confidential and must not be reproduced or used without the consent of EXM

Ce dessin est confidentiel et ne doit pas être reproduit ou utilisé sans le consentement de EXM

STANDARD FEATURES ARE NOT LISTED IN THIS HOLE TABLE			
HOLE TABLE - FRONT VIEW (CUSTOM FEATURE ONLY)			
CUT-OUT	XDIM	YDIM	DESCRIPTION
1	11.125	11.868	22.5 mm Miniature Pushbutton
2	8.875	11.868	22.5 mm Miniature Pushbutton
3	6.625	11.868	22.5 mm Miniature Pushbutton
4	4.375	11.868	22.5 mm Miniature Pushbutton
5	2.125	11.868	22.5 mm Miniature Pushbutton
6	11.125	9.618	22.5 mm Miniature Pushbutton
7	8.875	9.618	22.5 mm Miniature Pushbutton
8	6.625	9.618	22.5 mm Miniature Pushbutton
9	4.375	9.618	22.5 mm Miniature Pushbutton
10	2.125	9.618	22.5 mm Miniature Pushbutton
11	11.125	7.368	22.5 mm Miniature Pushbutton
12	8.875	7.368	22.5 mm Miniature Pushbutton
13	6.625	7.368	22.5 mm Miniature Pushbutton
14	4.375	7.368	22.5 mm Miniature Pushbutton
15	2.125	7.368	22.5 mm Miniature Pushbutton
16	11.125	5.118	22.5 mm Miniature Pushbutton
17	8.875	5.118	22.5 mm Miniature Pushbutton
18	6.625	5.118	22.5 mm Miniature Pushbutton
19	4.375	5.118	22.5 mm Miniature Pushbutton
20	2.125	5.118	22.5 mm Miniature Pushbutton
21	11.125	2.868	22.5 mm Miniature Pushbutton
22	8.875	2.868	22.5 mm Miniature Pushbutton
23	6.625	2.868	22.5 mm Miniature Pushbutton
24	4.375	2.868	22.5 mm Miniature Pushbutton
25	2.125	2.868	22.5 mm Miniature Pushbutton
26	12.125	1.145	STANDOFF M6 x 10mm (Inside)



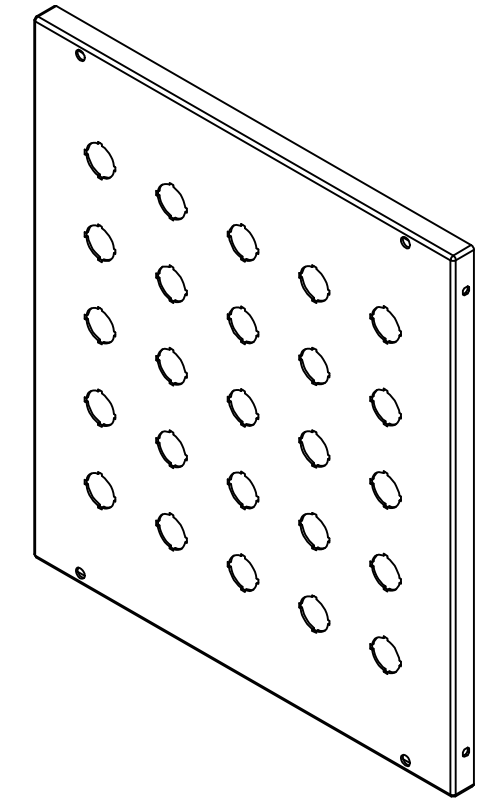
FRONT

	Description	Status
	1412SFMN 14.5" x 13.25" Cover	(NULL)
	Part Number	Rev.
	1412SF141310MNC	8
		9

This drawing is confidential and must not be reproduced or used without the consent of EXM


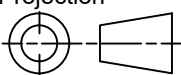
Ce dessin est confidentiel et ne doit pas être reproduit ou utilisé sans le consentement de EXM

No.	Revisions	Date	By/Par



Isometric View



 Tél: (450) 979-4373 Fax: (450) 979-4626 www.exmweb.com		Flatness Aplatissement Max 3.0mm
Customer Client		Projection 
Drawn By / Dessiné Par: BoxCad: BoxCad		Date: 05-Sep-25
Material / Matière: 16 Ga Cold Rolled A1008 CS Type B (1.4mm)		
Color / Couleur: Asa-61 Grey	Finish / Fini: Smooth	
Description: 1412SFMN 14.5" x 13.25" Cover		Detail Rev.
Part Number / Numéro Pièce: 1412SF141310MNC		Rev. 9 0

Qty	Part Name	Rev	Description
1	STK-Q-08350	5	Standoff M6 x 10mm
1	1412SF141310MNG	0	1412SF 14.5" x 13.25" Gasket
1	1412SF141310MNC-P	0	1412SFMN 14.5" x 13.25" Cover Part
1	STK-P-02400S	0	Powder Paint (Asa-61 Grey / Smooth)
Parts List			