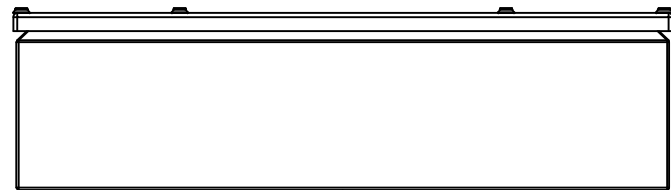
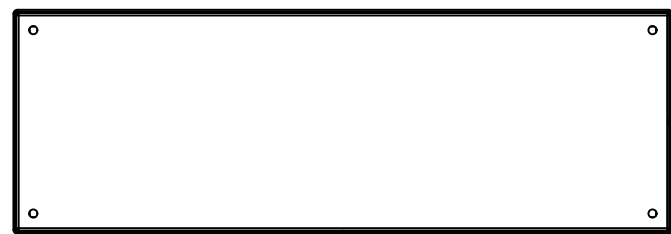


This drawing is confidential and must not be reproduced or used without the consent of EXM

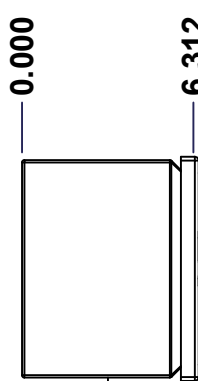
Ce dessin est confidentiel et ne doit pas être reproduit ou utilisé sans le consentement de EXM



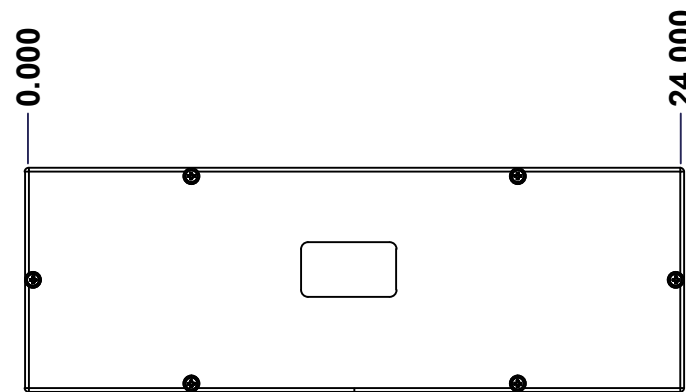
TOP



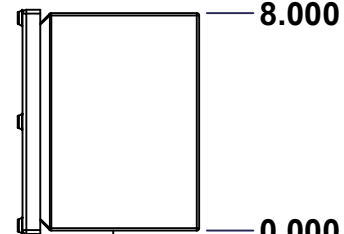
BACK



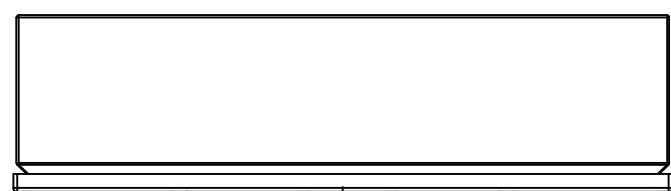
LEFT



FRONT



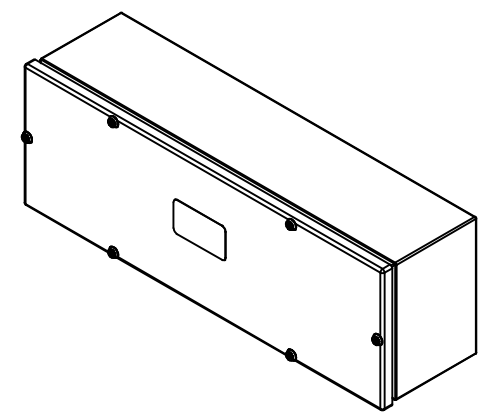
RIGHT



BOTTOM

**GRAIN DIRECTION:
TOP/BOTTOM: HORIZONTAL
LEFT/RIGHT/BACK/FRONT: VERTICAL**

| No. | Revisions | Date | By/Par |
|-----|-----------|------|--------|
| | | | |
| | | | |
| | | | |
| | | | |



Isometric View



Tél: (450) 979-4373
Fax: (450) 979-4626
www.exmweb.com

Flatness
Aplatissement
Max 3.0mm
Projection

Customer Client
Date
Drawn By Dessiné Par BoxCad: BoxCad
Date 15-Dec-25

Material Matière 16 Ga Stainless Steel 304 (1.4mm)

Color Couleur Unpainted
Finish Fini Brushed

Description 1412TSS 8" x 24" x 6.312" Assembly
Detail Rev.

Part Number Numéro Pièce 1412TSS2203
Rev. 0
1
12

SEE BILL OF MATERIAL ON LAST PAGE

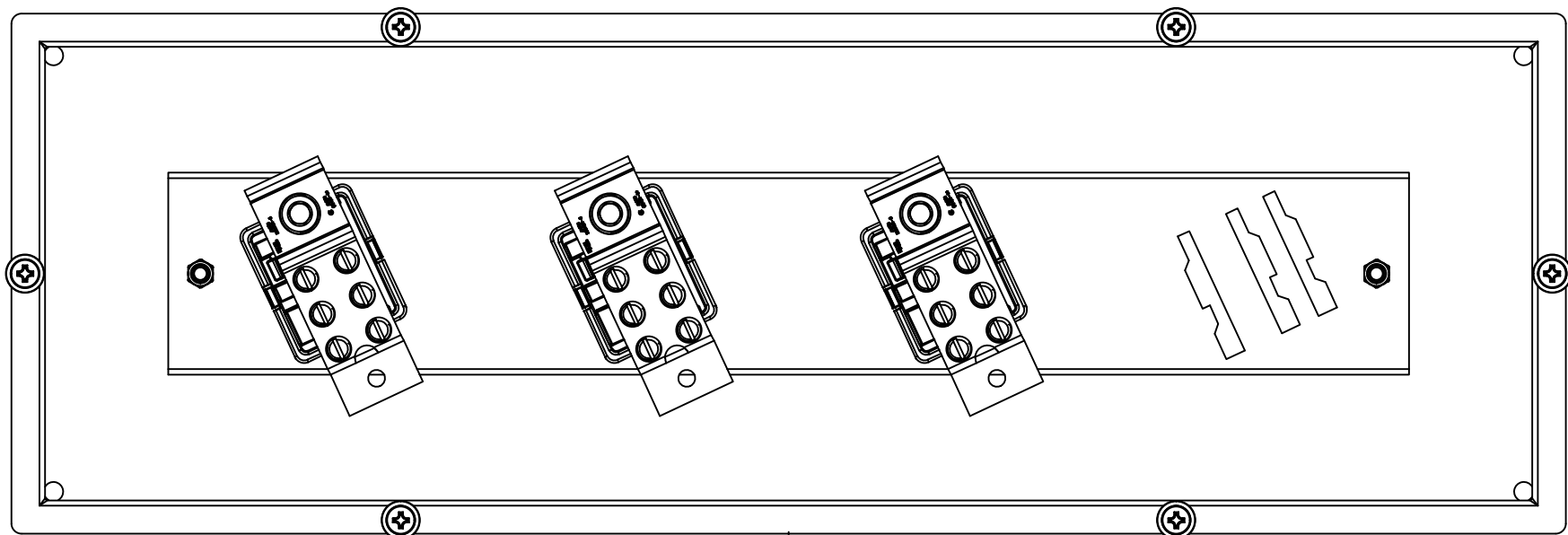
This drawing is confidential and must not be reproduced or used without the consent of EXM

Ce dessin est confidentiel et ne doit pas être reproduit ou utilisé sans le consentement de EXM

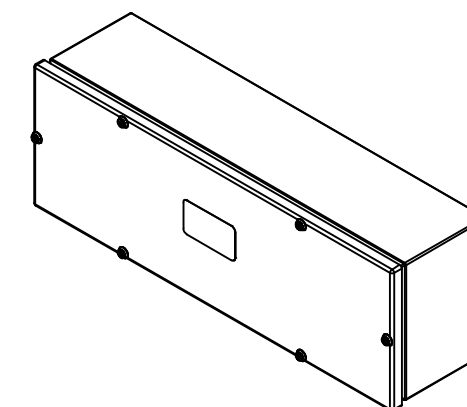
NOTE

| ITEM | DESCRIPTION |
|------|--|
| 1 | NEMA 4X Enclosure (IP66) |
| 2 | C/W Standard ground studs on box and cover |
| 3 | W/O Standard door stiffener |
| 4 | C/W Special inner panel (Sold separately) |
| 5 | C/W Standard inner panel mounting studs |

| No. | Revisions | Date | By/Par |
|-----|-----------|------|--------|
| | | | |
| | | | |
| | | | |
| | | | |
| | | | |



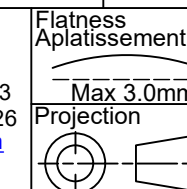
FRONT



Isometric View



Tél: (450) 979-4373
 Fax: (450) 979-4626
www.exmweb.com



| | |
|---|-----------------|
| Customer Client | Date |
| Drawn By / Dessiné Par: BoxCad: BoxCad | Date: 15-Dec-25 |
| Material / Matière: 16 Ga Stainless Steel 304 (1.4mm) | |

| | |
|----------------------------|------------------------|
| Color / Couleur: Unpainted | Finish / Fini: Brushed |
|----------------------------|------------------------|

| | |
|---|-------------|
| Description: 1412TSS 8" x 24" x 6.312" Assembly | Detail Rev. |
|---|-------------|

| | | |
|--|---------------|---|
| Part Number / Numéro Pièce: 1412TSS2203 | Rev. 0 | 2 |
|--|---------------|---|

PACKING

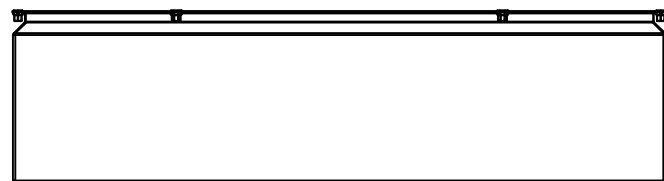
| ITEM | QTY | DESCRIPTION |
|-----------------------|-----|--|
| Cardboard sleeve | 2 | Top and Bottom |
| Cardboard strip | 2 | Between back of enclosure and inner panel |
| Plastic bag | 1 | To protect cover surface and inside gasket |
| Cardboard corner | 4 | To reinforced for the plastic strap tightening |
| Plastic strap - Black | 2 | To Squeeze the 2 cardboard sleeve together |
| Packaging label | 3 | White label with PN |
| Plastic strap- Green | 2 | To secure the enclosure to the wood pallet |
| Wood Pallet | 1 | 2" deeper and 3" larger than enclosure size |

| | | | |
|---|---------------|---|--|
| 1 | 1412TSS2203C | 0 | 1412TSS 8" x 24" Cover |
| 1 | STK-K-02925 | 3 | 5412 ESSSC Accessory Kit |
| 1 | 1412TSS2203IP | 0 | 1412TSS 8" x 24" Inner Panel |
| 1 | 1412TSS2203B | 0 | 1412TSS 8" x 24" x 6" Body |
| 3 | 881 BRC225 | 0 | Aluminum Lug with Insulator (300MCM-6) |
| 2 | STK-Q-07220 | 1 | M6 Nylon Insert Lock Nut |

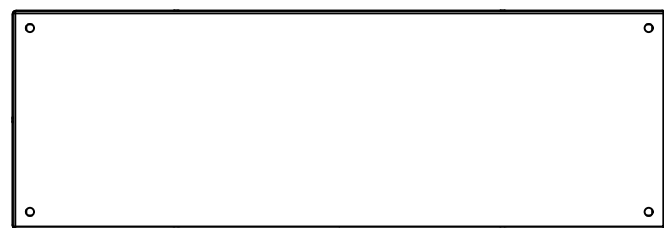
| Qty | Part Number | Rev | Description |
|------------|-------------|-----|-------------|
| Parts List | | | |

This drawing is confidential and must not be reproduced or used without the consent of EXM

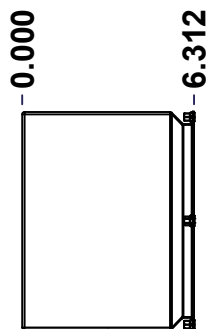
Ce dessin est confidentiel et ne doit pas être reproduit ou utilisé sans le consentement de EXM



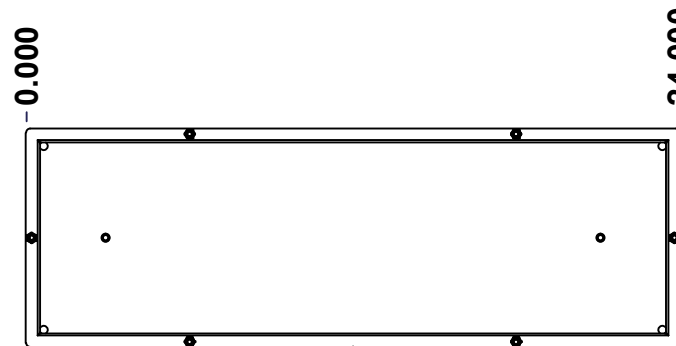
TOP



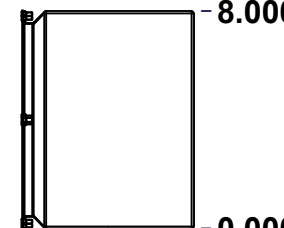
BACK



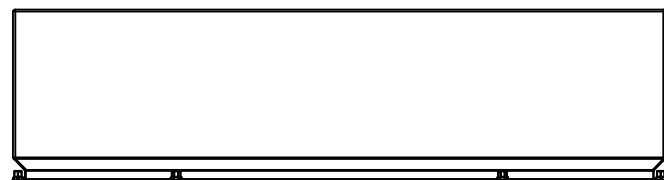
LEFT



FRONT

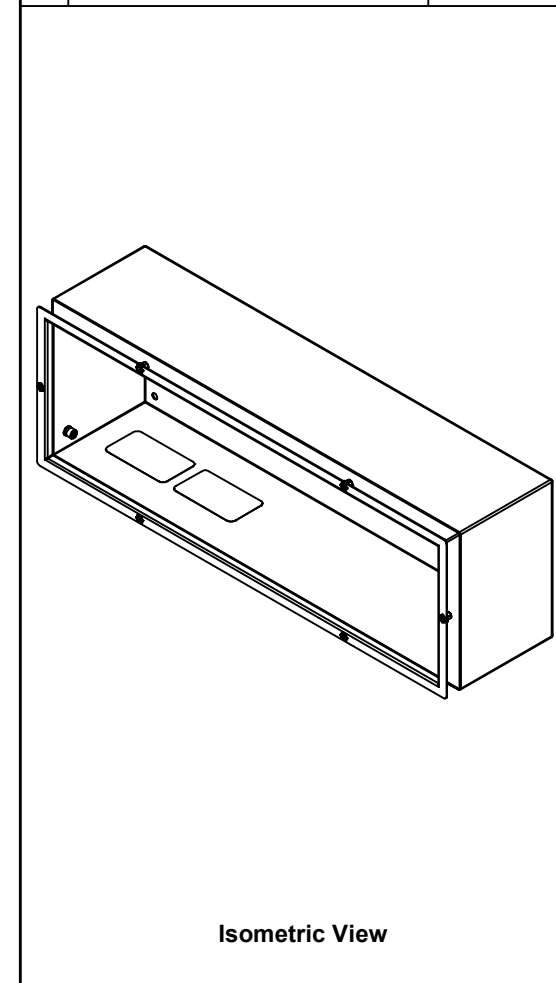


RIGHT




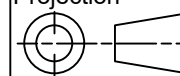
BOTTOM

| No. | Revisions | Date | By/Par |
|-----|-----------|------|--------|
| | | | |
| | | | |
| | | | |
| | | | |
| | | | |



Isometric View



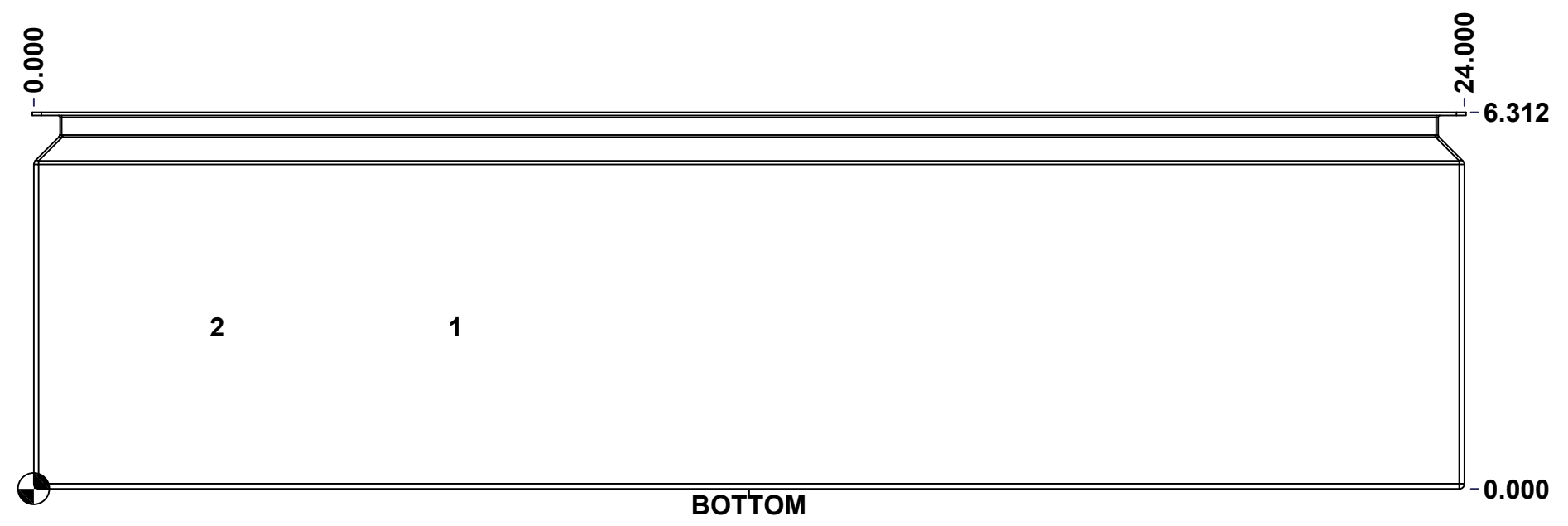
| | | |
|--|-----------------------------------|---------------------------|
|  Tél: (450) 979-4373 Fax: (450) 979-4626 www.exmweb.com | | Flatness Aplatissement |
| | | Max 3.0mm |
| Projection  | | Date |
| Customer Client | BoxCad: BoxCad | Date |
| Drawn By Dessiné Par | 16 Ga Stainless Steel 304 (1.4mm) | 15-Dec-25 |
| Material Matière | Color Couleur | Finish Fini |
| | Unpainted | Brushed |
| Description | Detail Rev. | |
| 1412TSS 8" x 24" x 6" Body | | |
| Part Number Numéro Pièce | Rev. | 3 |
| 1412TSS2203B | 0 | 12 |

SEE BILL OF MATERIAL ON LAST PAGE

This drawing is confidential and must not be reproduced or used without the consent of EXM

Ce dessin est confidentiel et ne doit pas être reproduit ou utilisé sans le consentement de EXM

| STANDARD FEATURES ARE NOT LISTED IN THIS HOLE TABLE | | | |
|--|-------|-------|--------------------|
| HOLE TABLE - BOTTOM VIEW (CUSTOM FEATURE ONLY) | | | |
| CUT-OUT | XDIM | YDIM | DESCRIPTION |
| 1 | 7.000 | 2.700 | LABEL_EXM (Inside) |
| 2 | 3.000 | 2.700 | LABEL_EXM (Inside) |

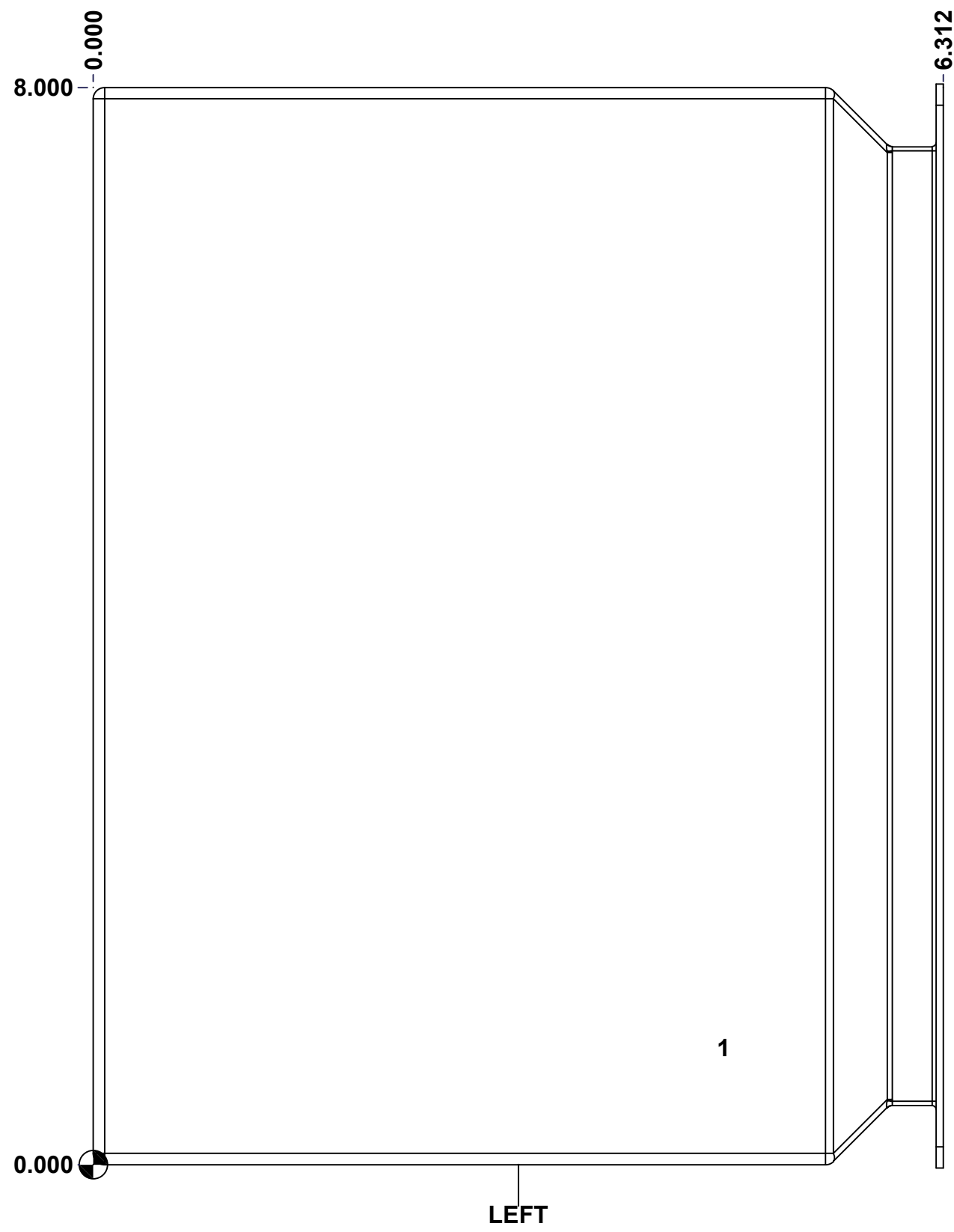


| | | | |
|--|-----------------------------|----------|----|
| | Description | Status | |
| | 1412TSS 8" x 24" x 6" Body | (NULL) | |
| | Part Number Numéro Pièce | Rev. | 4 |
| | 1412TSS2203B | 0 | 12 |

This drawing is confidential and must not be reproduced or used without the consent of EXM

Ce dessin est confidentiel et ne doit pas être reproduit ou utilisé sans le consentement de EXM

| STANDARD FEATURES ARE NOT LISTED IN THIS HOLE TABLE | | | |
|--|-------|-------|-----------------------------|
| HOLE TABLE - LEFT VIEW (CUSTOM FEATURE ONLY) | | | |
| CUT-OUT | XDIM | YDIM | DESCRIPTION |
| 1 | 4.625 | 0.875 | STANDOFF M6 x 10mm (Inside) |

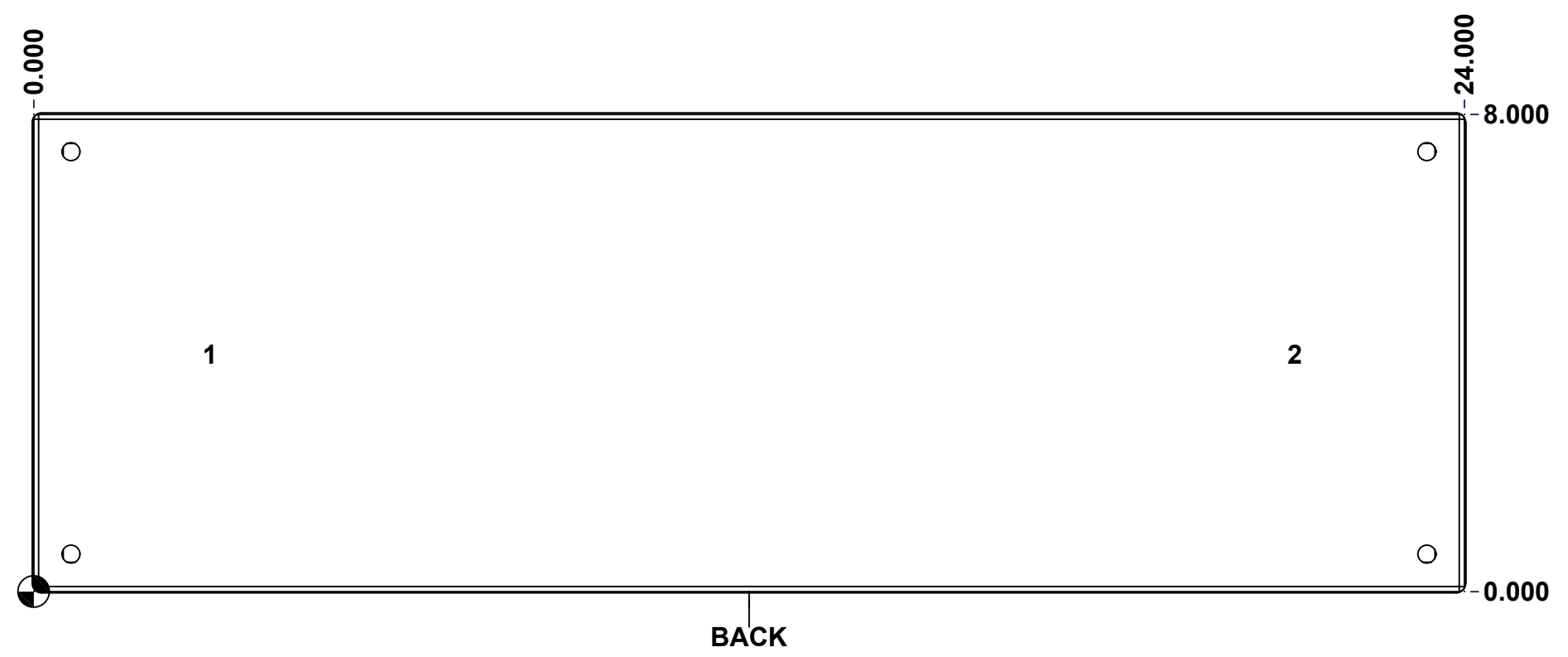


| | | |
|--|-----------------------------|----------|
| | Description | Status |
| | 1412TSS 8" x 24" x 6" Body | (NULL) |
| | Part Number Numéro Pièce | Rev. |
| | 1412TSS2203B | 0 |
| | | 5 |
| | | 12 |

This drawing is confidential and must not be reproduced or used without the consent of EXM

Ce dessin est confidentiel et ne doit pas être reproduit ou utilisé sans le consentement de EXM

| STANDARD FEATURES ARE NOT LISTED IN THIS HOLE TABLE | | | |
|---|--------|-------|----------------------------|
| HOLE TABLE - BACK VIEW (CUSTOM FEATURE ONLY) | | | |
| CUT-OUT | XDIM | YDIM | DESCRIPTION |
| 1 | 2.900 | 4.000 | IP STUD M6 x 18mm (Inside) |
| 2 | 21.100 | 4.000 | IP STUD M6 x 18mm (Inside) |

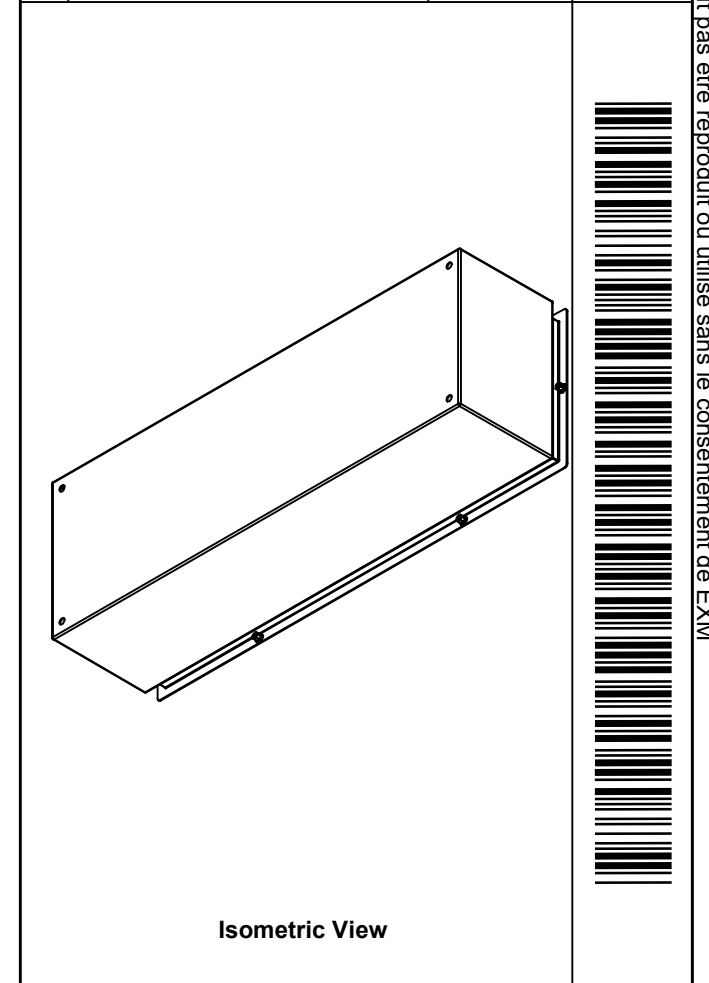



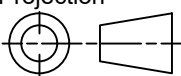
| | | |
|--|-----------------------------|----------|
| | Description | Status |
| | 1412TSS 8" x 24" x 6" Body | (NULL) |
| | Part Number Numéro Pièce | Rev. |
| | 1412TSS2203B | 0 |
| | | 6 |
| | | 12 |

This drawing is confidential and must not be reproduced or used without the consent of EXM

Ce dessin est confidentiel et ne doit pas être reproduit ou utilisé sans le consentement de EXM

| No. | Revisions | Date | By/Par |
|-----|-----------|------|--------|
| | | | |
| | | | |
| | | | |
| | | | |
| | | | |

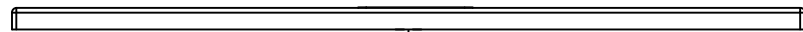


| | | |
|--|-----------------------------------|---|
|  Tél: (450) 979-4373 Fax: (450) 979-4626 www.exmweb.com | | Flatness Aplatissement Max 3.0mm Projection  |
| Customer Client | Date | |
| Drawn By Dessiné Par | BoxCad: BoxCad | Date 15-Dec-25 |
| Material Matière | 16 Ga Stainless Steel 304 (1.4mm) | |
| Color Couleur | Unpainted | Finish Fini Brushed |
| Description | | Detail Rev. |
| 1412TSS 8" x 24" x 6" Body | | |
| Part Number Numéro Pièce | Rev. | 7 |
| 1412TSS2203B | 0 | 12 |

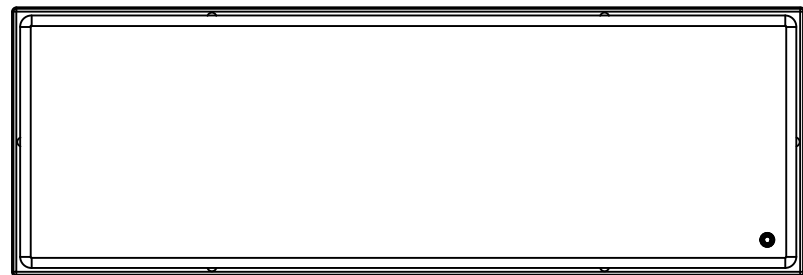
| 1 | STK-Q-08500 | 4 | Stainless Steel Standoff M6 x 10mm |
|------------|-----------------------|-----|---|
| 2 | STK-Q-16070 | 1 | Stud M6 x 18mm Stainless Steel |
| 1 | 1412TSS2203B-P | 0 | 1412TSS 8" x 24" x 6" Body Part |
| 2 | STK-S-00100 | 0 | 3.5" x 2" Silver Milar Flexcon Sticker |
| 6 | RIVET_NUT_SS_M5_FH_OE | 0 | Stainless Steel Rivet Nut M5 (Low Profile Open End) |
| Qty | Part Number | Rev | Description |
| Parts List | | | |

This drawing is confidential and must not be reproduced or used without the consent of EXM

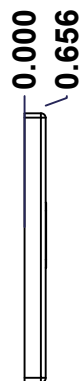
Ce dessin est confidentiel et ne doit pas être reproduit ou utilisé sans le consentement de EXM



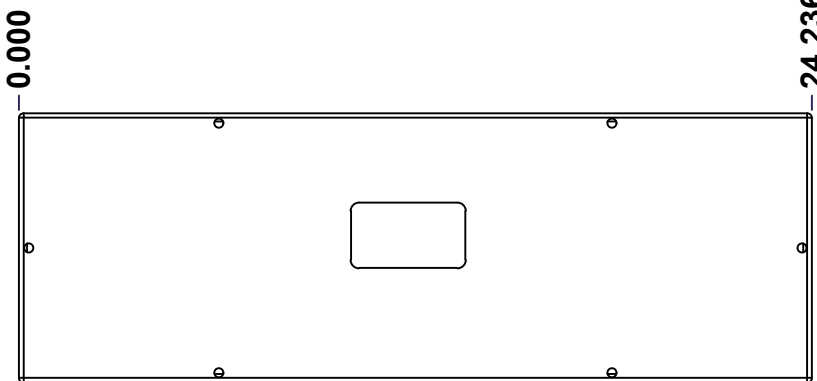
TOP



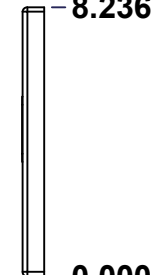
BACK



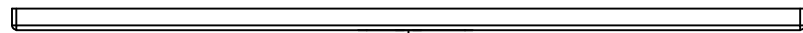
LEFT



FRONT

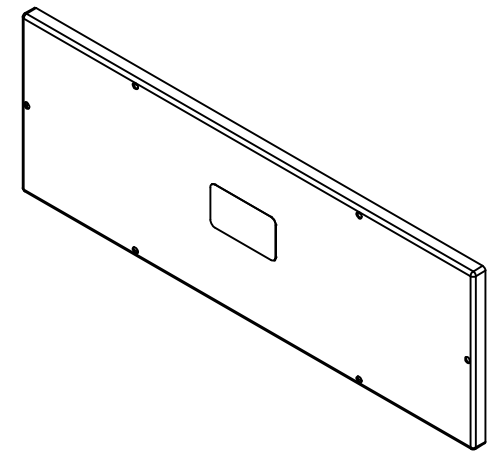


RIGHT



BOTTOM

| No. | Revisions | Date | By/Par |
|-----|-----------|------|--------|
| | | | |
| | | | |
| | | | |
| | | | |



Isometric View

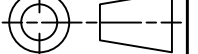


Tél: (450) 979-4373
 Fax: (450) 979-4626
www.exmweb.com

Flatness
Aplatissement

Max 3.0mm

Projection



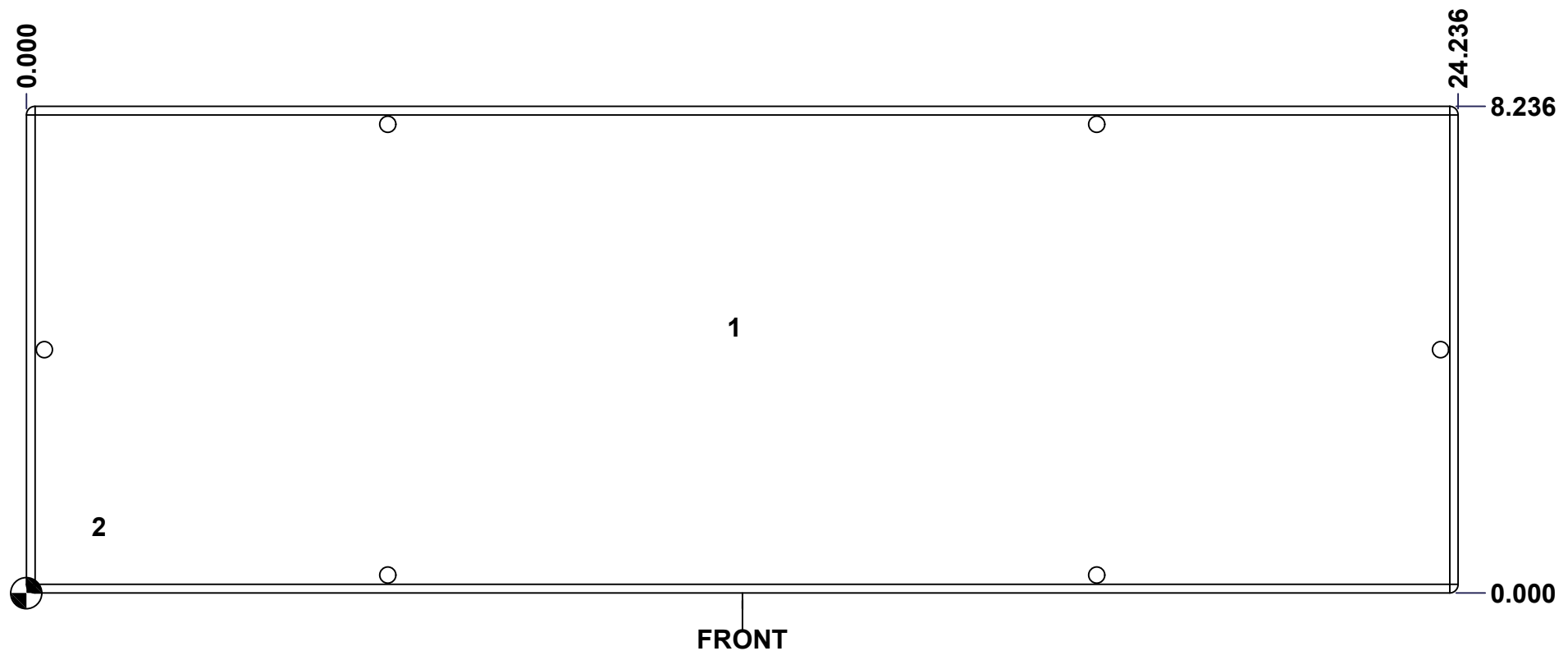
| | |
|---|------------------------|
| Customer Client | Date |
| Drawn By / Dessiné Par: BoxCad: BoxCad | Date: 15-Dec-25 |
| Material / Matière: 16 Ga Stainless Steel 304 (1.4mm) | |
| Color / Couleur: Unpainted | Finish / Fini: Brushed |
| Description: 1412TSS 8" x 24" Cover | Detail Rev. |
| Part Number / Numéro Pièce: 1412TSS2203C | Rev. 0 |

SEE BILL OF MATERIAL ON LAST PAGE

This drawing is confidential and must not be reproduced or used without the consent of EXM

Ce dessin est confidentiel et ne doit pas être reproduit ou utilisé sans le consentement de EXM

| STANDARD FEATURES ARE NOT LISTED IN THIS HOLE TABLE | | | |
|---|--------|-------|-----------------------------|
| HOLE TABLE - FRONT VIEW (CUSTOM FEATURE ONLY) | | | |
| CUT-OUT | XDIM | YDIM | DESCRIPTION |
| 1 | 11.900 | 4.500 | LABEL_EXM (Outside) |
| 2 | 1.145 | 1.125 | STANDOFF M6 x 10mm (Inside) |

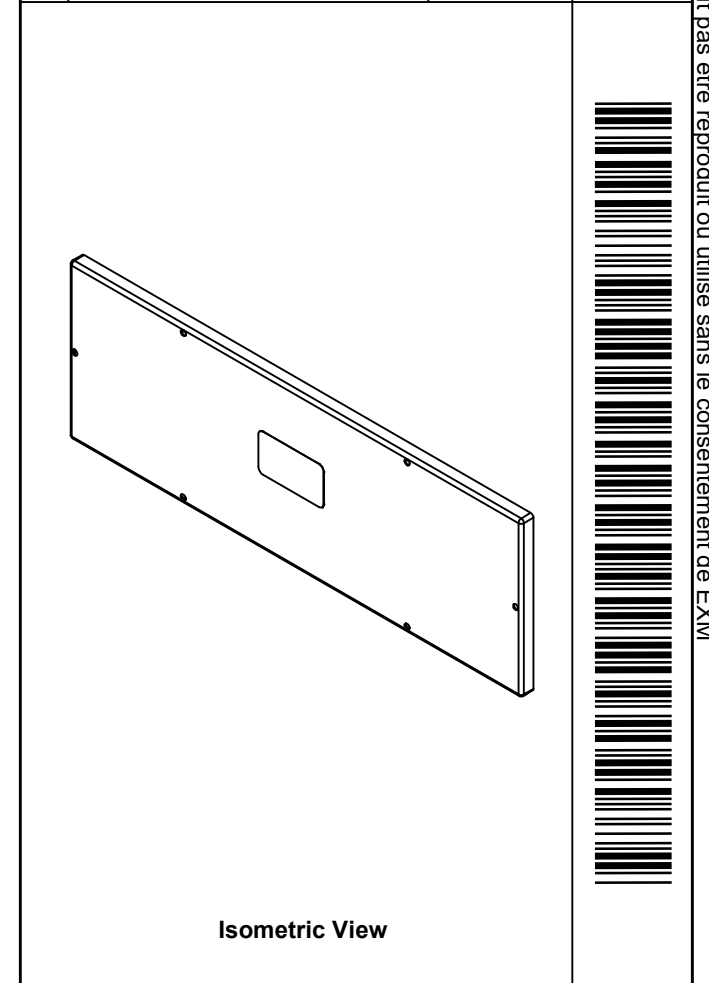



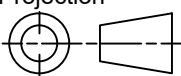
| | | |
|--|-----------------------------|--------------|
| | Description | Status |
| | 1412TSS 8" x 24" Cover | (NULL) |
| | Part Number Numéro Pièce | Rev. |
| | 1412TSS2203C | 0 / 9 |
| | | 12 |

This drawing is confidential and must not be reproduced or used without the consent of EXM

Ce dessin est confidentiel et ne doit pas être reproduit ou utilisé sans le consentement de EXM

| No. | Revisions | Date | By/Par |
|-----|-----------|------|--------|
| | | | |
| | | | |
| | | | |
| | | | |
| | | | |

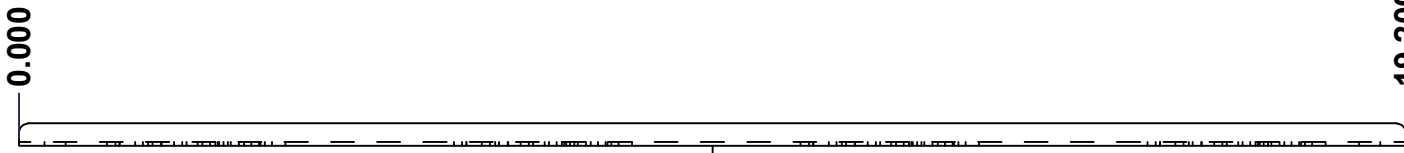


| | | |
|--|-----------------------------------|---|
|  Tél: (450) 979-4373 Fax: (450) 979-4626 www.exmweb.com | | Flatness Aplatissement Max 3.0mm Projection  |
| Customer Client | Date | |
| Drawn By Dessiné Par | BoxCad: BoxCad | Date 15-Dec-25 |
| Material Matière | 16 Ga Stainless Steel 304 (1.4mm) | |
| Color Couleur | Unpainted | Finish Fini Brushed |
| Description | Detail Rev. | |
| 1412TSS 8" x 24" Cover | | |
| Part Number Numéro Pièce | Rev. | 10 |
| 1412TSS2203C | 0 | 12 |

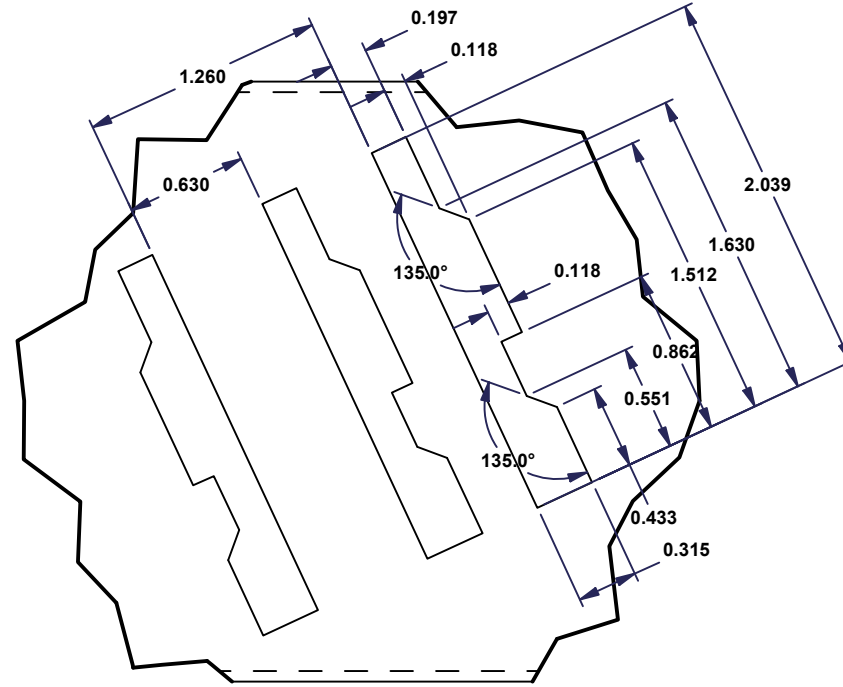
| Qty | Part Number | Rev | Description |
|------------|----------------|-----|--|
| 1 | STK-Q-08500 | 4 | Stainless Steel Standoff M6 x 10mm |
| 1 | STK-S-00100 | 0 | 3.5" x 2" Silver Milar Flexcon Sticker |
| 1 | 1412TSS2203G | 0 | 1412TSS 8" x 24" Gasket |
| 1 | 1412TSS2203C-P | 0 | 1412TSS 8" x 24" Cover Part |
| Parts List | | | |

This drawing is confidential and must not be reproduced or used without the consent of EXM

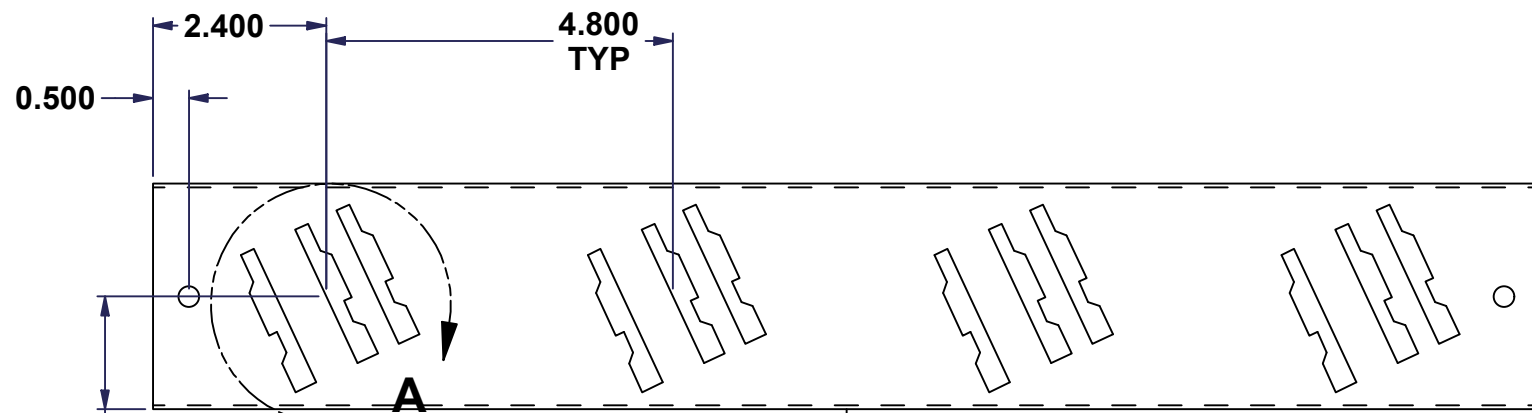
Ce dessin est confidentiel et ne doit pas être reproduit ou utilisé sans le consentement de EXM



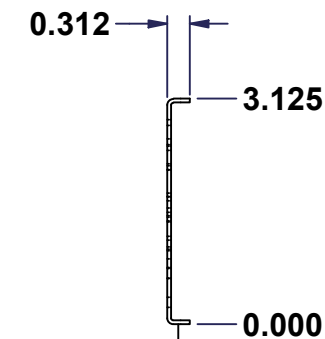
TOP



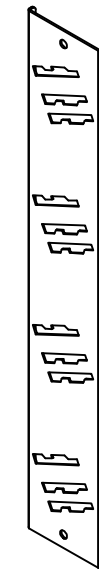
DETAIL A



FRONT




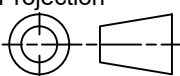
RIGHT



Isometric View



| No. | Revisions | Date | By/Par |
|-----|-----------|------|--------|
| | | | |
| | | | |
| | | | |
| | | | |

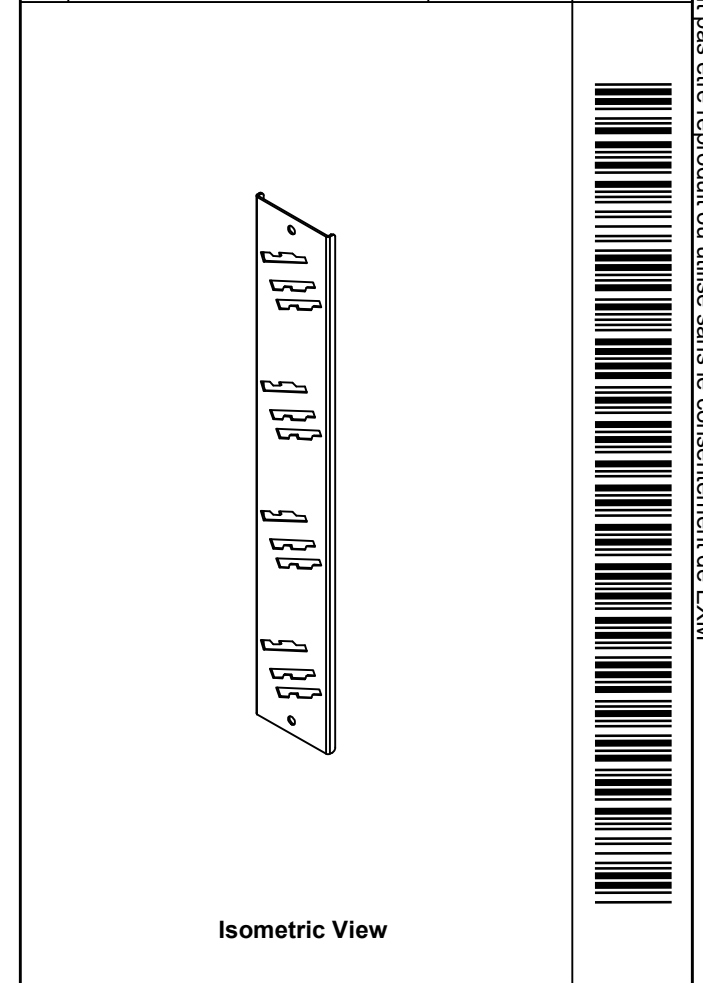
| | | |
|--|--------------------------|---|
|  Tél: (450) 979-4373 Fax: (450) 979-4626 www.exmweb.com | | Flatness Aplatissement Max 3.0mm Projection  |
| Customer Client | Date | |
| Drawn By Dessiné Par | BoxCad: BoxCad | Date 15-Dec-25 |
| Material Matière | 16 Ga Galvanized (1.4mm) | |
| Color Couleur | Unpainted | Finish Fini Unpainted |
| Description | Detail Rev. | |
| 1412TSS 8" x 24" Inner Panel | | |
| Part Number Numéro Pièce | Rev. | 11 |
| 1412TSS2203IP | 0 | 12 |


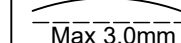
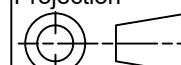
SEE BILL OF MATERIAL ON LAST PAGE

This drawing is confidential and must not be reproduced or used without the consent of EXM

Ce dessin est confidentiel et ne doit pas être reproduit ou utilisé sans le consentement de EXM

| No. | Revisions | Date | By/Par |
|-----|-----------|------|--------|
| | | | |
| | | | |
| | | | |
| | | | |
| | | | |



| | | |
|--|--------------------------|--|
|  Tél: (450) 979-4373 Fax: (450) 979-4626 www.exmweb.com | | Flatness Aplatissement  Max 3.0mm |
| Customer Client | | Projection  |
| Drawn By Dessiné Par BoxCad: BoxCad | | Date 15-Dec-25 |
| Material Matière 16 Ga Galvanized (1.4mm) | | |
| Color Couleur Unpainted | Finish Fini Unpainted | |
| Description 1412TSS 8" x 24" Inner Panel | | Detail Rev. |
| Part Number Numéro Pièce 1412TSS2203IP | Rev. 0 | 12 12 |

| Qty | Part Number | Rev | Description |
|------------|-----------------|-----|-----------------------------------|
| 1 | 1412TSS2203IP-P | 0 | 1412TSS 8" x 24" Inner Panel Part |
| Parts List | | | |