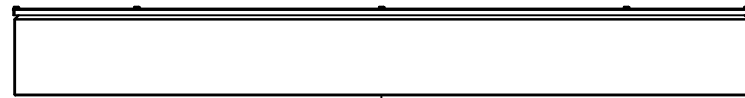
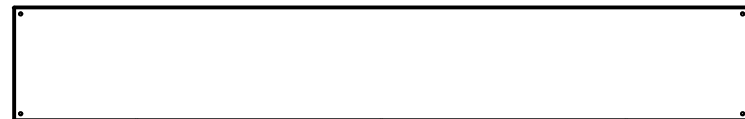


This drawing is confidential and must not be reproduced or used without the consent of EXM

Ce dessin est confidentiel et ne doit pas être reproduit ou utilisé sans le consentement de EXM



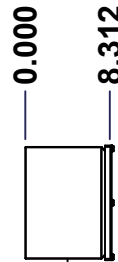
TOP



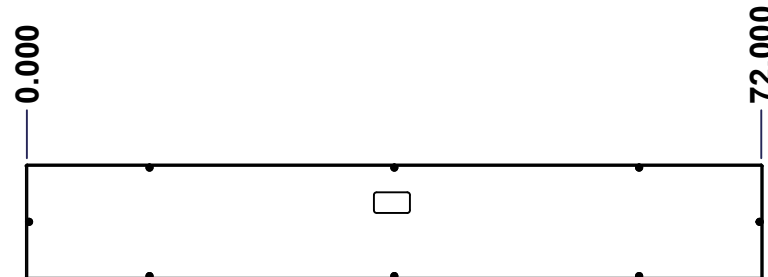
BACK



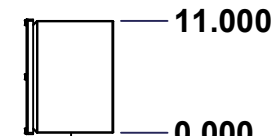
BOTTOM



LEFT

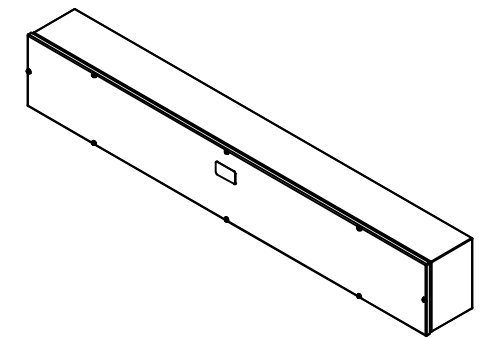


FRONT



RIGHT

| No. | Revisions | Date | By/Par |
|-----|-----------|------|--------|
|     |           |      |        |
|     |           |      |        |
|     |           |      |        |
|     |           |      |        |


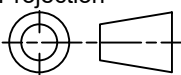


Isometric View



**GRAIN DIRECTION:  
TOP/BOTTOM: HORIZONTAL  
LEFT/RIGHT/BACK/FRONT: VERTICAL**

SEE BILL OF MATERIAL ON LAST PAGE

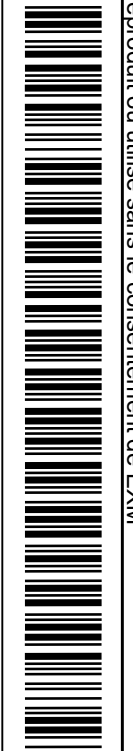
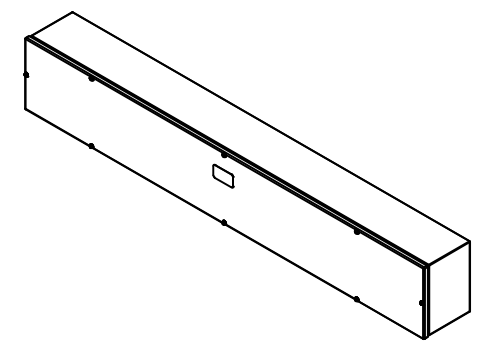
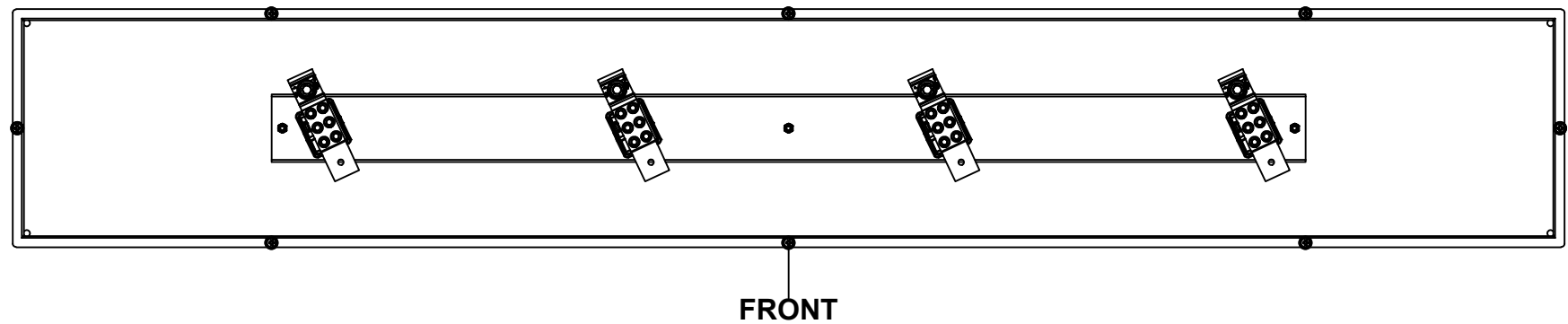
|  |                                   |   |
|--|-----------------------------------|---|
|  Tél: (450) 979-4373<br>Fax: (450) 979-4626<br><a href="http://www.exmweb.com">www.exmweb.com</a> |                                   | Flatness<br>Aplatissement<br>Max 3.0mm<br>Projection<br> |
| Customer Client  | Date                              |   |
| Drawn By<br>Dessiné Par  | BoxCad: BoxCad                    | Date 16-Dec-25  |
| Material<br>Matière  | 16 Ga Stainless Steel 304 (1.4mm) |   |
| Color<br>Couleur   | Unpainted                         | Finish<br>Fini Brushed  |
| Description  | Detail Rev.                       |   |
| 1412TSS 11" x 72" x 8.312" Assembly  |                                   |   |
| Part Number<br>Numéro Pièce  | Rev. 0                            | 1 / 12  |
| 1412TSS6404  |                                   |   |

This drawing is confidential and must not be reproduced or used without the consent of EXM

Ce dessin est confidentiel et ne doit pas être reproduit ou utilisé sans le consentement de EXM

| NOTE |  |
|------|--|
| ITEM | DESCRIPTION                                |
| 1    | NEMA 4X Enclosure (IP66)                   |
| 2    | C/W Standard ground studs on box and cover |
| 3    | W/O Standard door stiffener                |
| 4    | C/W Special inner panel (Sold separately)  |
| 5    | C/W Standard inner panel mounting studs    |

| No. | Revisions | Date | By/Par |
|-----|-----------|------|--------|
|     |           |      |        |
|     |           |      |        |
|     |           |      |        |
|     |           |      |        |
|     |           |      |        |



Isometric View



Tél: (450) 979-4373  
 Fax: (450) 979-4626  
[www.exmweb.com](http://www.exmweb.com)

Flatness  
Aplatissement  
Max 3.0mm  
Projection

Customer Client  
 Drawn By Dessiné Par BoxCad: BoxCad  
 Date 16-Dec-25  
 Material Matière 16 Ga Stainless Steel 304 (1.4mm)

Color Couleur Unpainted  
 Finish Fini Brushed

Description 1412TSS 11" x 72" x 8.312" Assembly  
 Detail Rev.

Part Number Numéro Pièce **1412TSS6404**  
 Rev. **0**

| PACKING               |     |  |
|-----------------------|-----|--|
| ITEM                  | QTY | DESCRIPTION                                    |
| Cardboard sleeve      | 2   | Top and Bottom                                 |
| Cardboard strip       | 2   | Between back of enclosure and inner panel      |
| Plastic bag           | 1   | To protect cover surface and inside gasket     |
| Cardboard corner      | 4   | To reinforced for the plastic strap tightening |
| Plastic strap - Black | 2   | To Squeeze the 2 cardboard sleeve together     |
| Packaging label       | 3   | White label with PN                            |
| Plastic strap- Green  | 2   | To secure the enclosure to the wood pallet     |
| Wood Pallet           | 1   | 2" deeper and 3" larger than enclosure size    |

| Qty | Part Number   | Rev | Description                          |
|-----|---------------|-----|--------------------------------------|
| 1   | 1412TSS6404C  | 0   | 1412TSS 11" x 72" Cover              |
| 1   | STK-K-02925   | 3   | 5412 ESSSC Accessory Kit             |
| 1   | 1412TSS6404IP | 0   | 1412TSS 11" x 72" Inner Panel        |
| 1   | 1412TSS6404B  | 0   | 1412TSS 11" x 72" x 8" Body          |
| 4   | 881 BRC400    | 6   | Accessory kit for 1100T (lug 400AMP) |
| 3   | STK-Q-07220   | 1   | M6 Nylon Insert Lock Nut             |

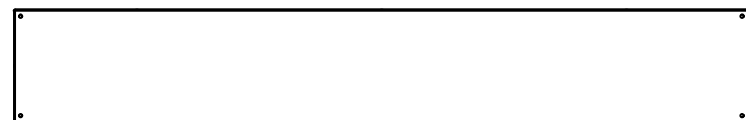
Parts List

This drawing is confidential and must not be reproduced or used without the consent of EXM

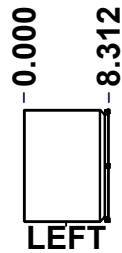
Ce dessin est confidentiel et ne doit pas être reproduit ou utilisé sans le consentement de EXM



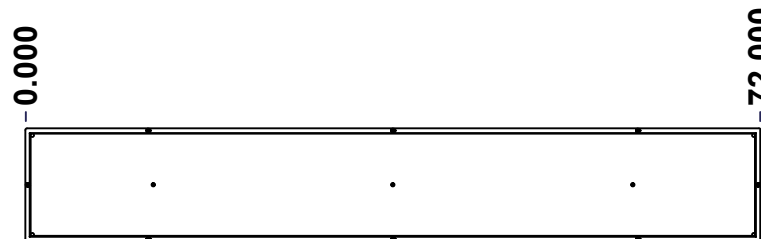
TOP



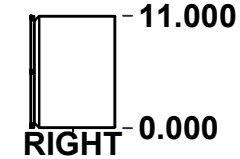
BACK



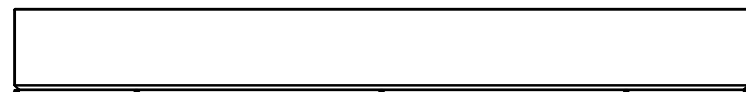
LEFT



FRONT

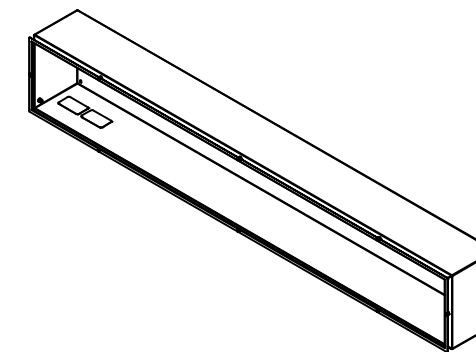


RIGHT



BOTTOM

| No. | Revisions | Date | By/Par |
|-----|-----------|------|--------|
|     |           |      |        |
|     |           |      |        |
|     |           |      |        |
|     |           |      |        |
|     |           |      |        |



Isometric View



Tél: (450) 979-4373  
 Fax: (450) 979-4626  
[www.exmweb.com](http://www.exmweb.com)

Flatness  
Aplatissement

Max 3.0mm

Projection



|   |                 |
|---|-----------------|
| Customer Client                                       | Date            |
| Drawn By / Dessiné Par: BoxCad: BoxCad                | Date: 16-Dec-25 |
| Material / Matière: 16 Ga Stainless Steel 304 (1.4mm) |                 |

|                            |                        |
|----------------------------|------------------------|
| Color / Couleur: Unpainted | Finish / Fini: Brushed |
|----------------------------|------------------------|

|  |             |
|--|-------------|
| Description: 1412TSS 11" x 72" x 8" Body | Detail Rev. |
|--|-------------|

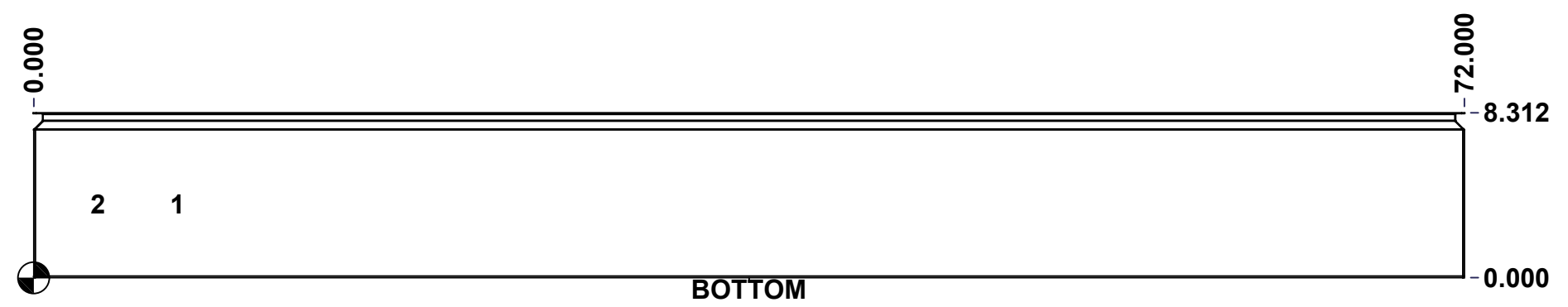
|  |        |   |    |
|--|--------|---|----|
| Part Number / Numéro Pièce: 1412TSS6404B | Rev. 0 | 3 | 12 |
|--|--------|---|----|

SEE BILL OF MATERIAL ON LAST PAGE

This drawing is confidential and must not be reproduced or used without the consent of EXM

Ce dessin est confidentiel et ne doit pas être reproduit ou utilisé sans le consentement de EXM

| <b>STANDARD FEATURES ARE NOT LISTED IN THIS HOLE TABLE</b> |       |       |                    |
|--|-------|-------|--------------------|
| <b>HOLE TABLE - BOTTOM VIEW (CUSTOM FEATURE ONLY)</b>      |       |       |                    |
| CUT-OUT  | XDIM  | YDIM  | DESCRIPTION        |
| 1  | 7.000 | 3.700 | LABEL_EXM (Inside) |
| 2  | 3.000 | 3.700 | LABEL_EXM (Inside) |

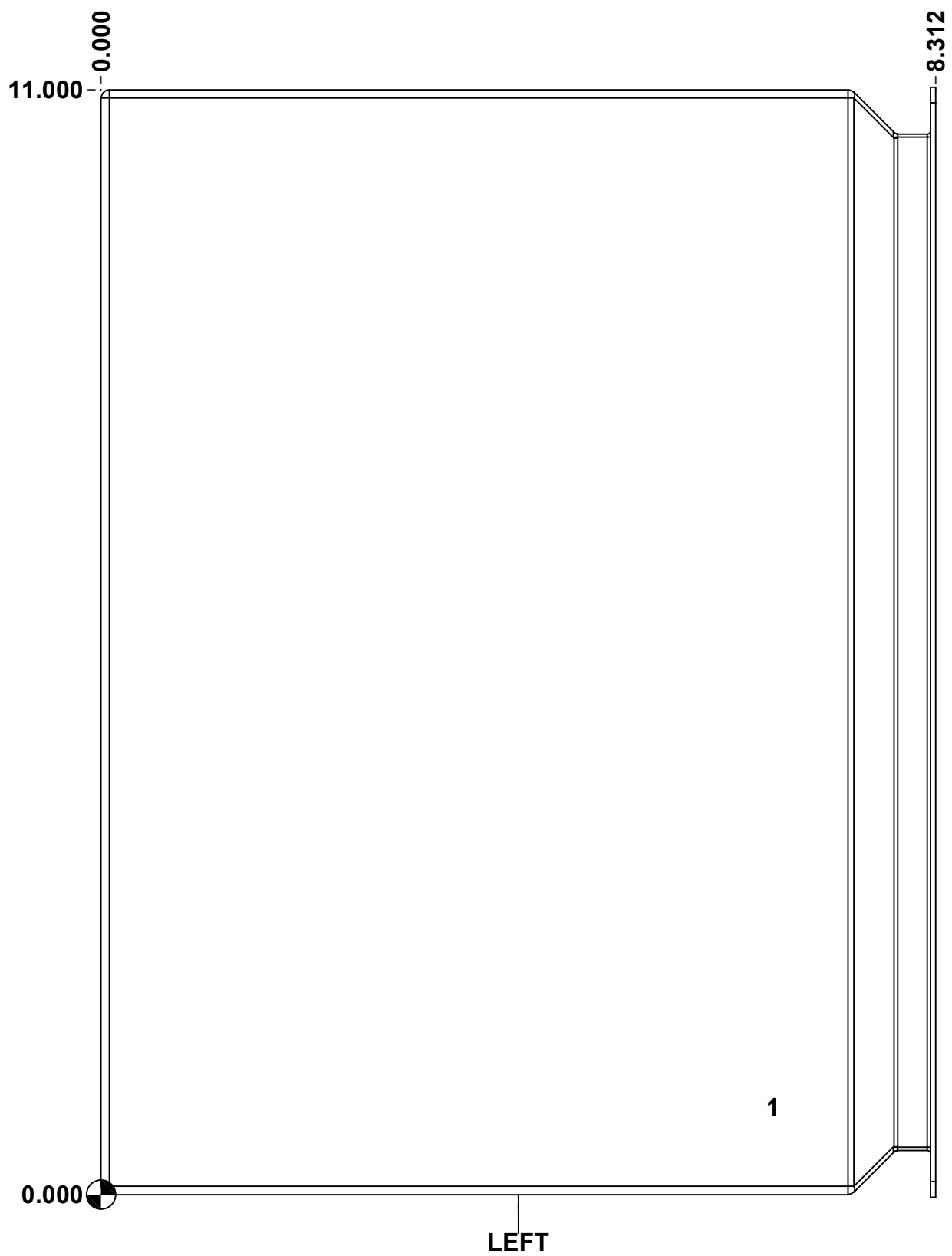


|  |                             |          |    |
|--|-----------------------------|----------|----|
|  | Description                 | Status   |    |
|  | 1412TSS 11" x 72" x 8" Body | (NULL)   |    |
|  | Part Number<br>Numéro Pièce | Rev.     |    |
|  | <b>1412TSS6404B</b>         | <b>0</b> | 4  |
|  |                             |          | 12 |

This drawing is confidential and must not be reproduced or used without the consent of EXM

Ce dessin est confidentiel et ne doit pas être reproduit ou utilisé sans le consentement de EXM

| <b>STANDARD FEATURES ARE NOT LISTED IN THIS HOLE TABLE</b> |       |       |                             |
|--|-------|-------|-----------------------------|
| <b>HOLE TABLE - LEFT VIEW (CUSTOM FEATURE ONLY)</b>        |       |       |                             |
| CUT-OUT  | XDIM  | YDIM  | DESCRIPTION                 |
| 1  | 6.625 | 0.875 | STANDOFF M6 x 10mm (Inside) |

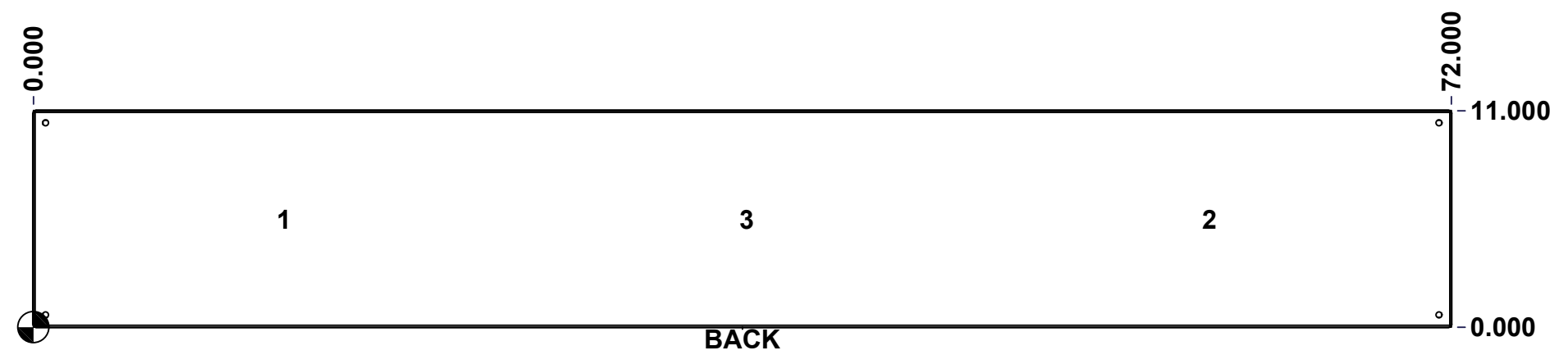


|                             |                             |          |    |
|-----------------------------|-----------------------------|----------|----|
|                             | Description                 | Status   |    |
|                             | 1412TSS 11" x 72" x 8" Body | (NULL)   |    |
| Part Number<br>Numéro Pièce | <b>1412TSS6404B</b>         | Rev.     | 5  |
|                             |                             | <b>0</b> | 12 |

This drawing is confidential and must not be reproduced or used without the consent of EXM

Ce dessin est confidentiel et ne doit pas être reproduit ou utilisé sans le consentement de EXM

| STANDARD FEATURES ARE NOT LISTED IN THIS HOLE TABLE |        |       |                            |
|---|--------|-------|----------------------------|
| HOLE TABLE - BACK VIEW (CUSTOM FEATURE ONLY)        |        |       |                            |
| CUT-OUT   | XDIM   | YDIM  | DESCRIPTION                |
| 1   | 12.500 | 5.500 | IP STUD M6 x 18mm (Inside) |
| 2   | 59.500 | 5.500 | IP STUD M6 x 18mm (Inside) |
| 3   | 36.000 | 5.500 | IP STUD M6 x 18mm (Inside) |

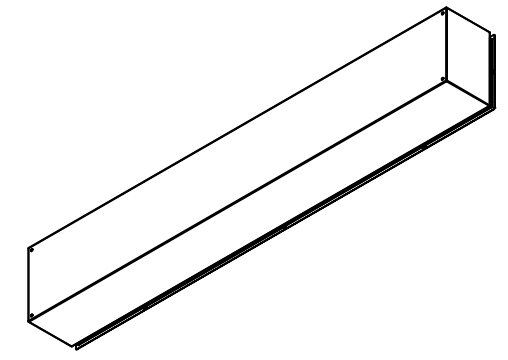


|  |                             |          |         |
|--|-----------------------------|----------|---------|
|  | Description                 | Status   |         |
|  | 1412TSS 11" x 72" x 8" Body | (NULL)   |         |
|  | Part Number<br>Numéro Pièce | Rev.     |         |
|  | <b>1412TSS6404B</b>         | <b>0</b> | 6<br>12 |


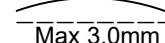
This drawing is confidential and must not be reproduced or used without the consent of EXM

Ce dessin est confidentiel et ne doit pas être reproduit ou utilisé sans le consentement de EXM

| No. | Revisions | Date | By/Par |
|-----|-----------|------|--------|
|     |           |      |        |
|     |           |      |        |
|     |           |      |        |
|     |           |      |        |
|     |           |      |        |



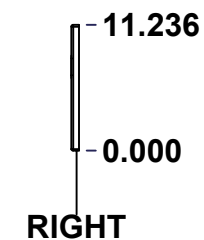
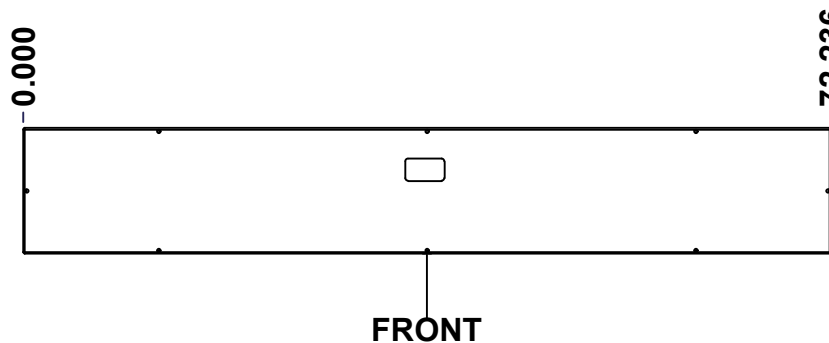
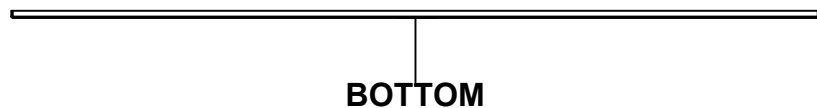
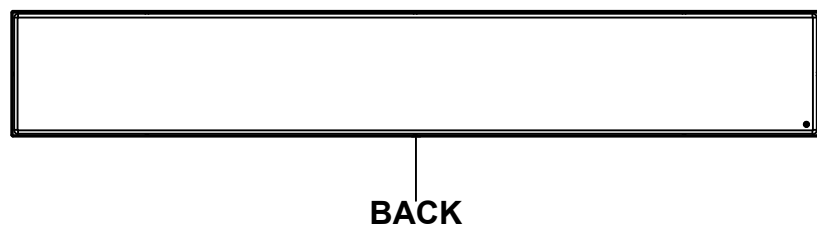
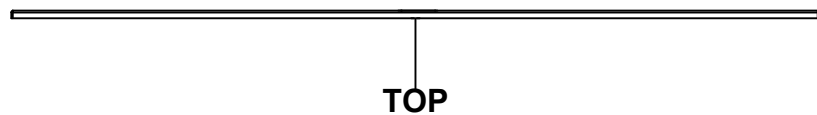
Isometric View

|  |  |   |
|--|--|---|
|  Tél: (450) 979-4373<br>Fax: (450) 979-4626<br><a href="http://www.exmweb.com">www.exmweb.com</a> |  | Flatness<br>Aplatissement<br><br>Max 3.0mm |
| Customer Client  |  | Date  |
| Drawn By<br>Dessiné Par BoxCad: BoxCad   |  | Date 16-Dec-25  |
| Material<br>Matière 16 Ga Stainless Steel 304 (1.4mm)  |  |   |
| Color<br>Couleur Unpainted   |  | Finish<br>Fini Brushed  |
| Description<br>1412TSS 11" x 72" x 8" Body   |  | Detail Rev.   |
| Part Number<br>Numéro Pièce<br><b>1412TSS6404B</b>   |  | Rev. 7<br><b>0</b>  |

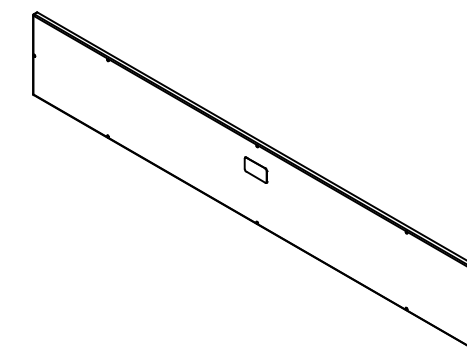
| Qty        | Part Number           | Rev | Description   |
|------------|-----------------------|-----|---|
| 1          | STK-Q-08500           | 4   | Stainless Steel Standoff M6 x 10mm                  |
| 3          | STK-Q-16070           | 1   | Stud M6 x 18mm Stainless Steel                      |
| 1          | 1412TSS6404B-P        | 0   | 1412TSS 11" x 72" x 8" Body Part                    |
| 2          | STK-S-00100           | 0   | 3.5" x 2" Silver Milar Flexcon Sticker              |
| 8          | RIVET_NUT_SS_M5_FH_OE | 0   | Stainless Steel Rivet Nut M5 (Low Profile Open End) |
| Parts List |                       |     |   |

This drawing is confidential and must not be reproduced or used without the consent of EXM

Ce dessin est confidentiel et ne doit pas être reproduit ou utilisé sans le consentement de EXM



| No. | Revisions | Date | By/Par |
|-----|-----------|------|--------|
|     |           |      |        |
|     |           |      |        |
|     |           |      |        |
|     |           |      |        |



Isometric View



Tél: (450) 979-4373  
 Fax: (450) 979-4626  
[www.exmweb.com](http://www.exmweb.com)

Flatness  
Aplatissement  
Max 3.0mm  
Projection

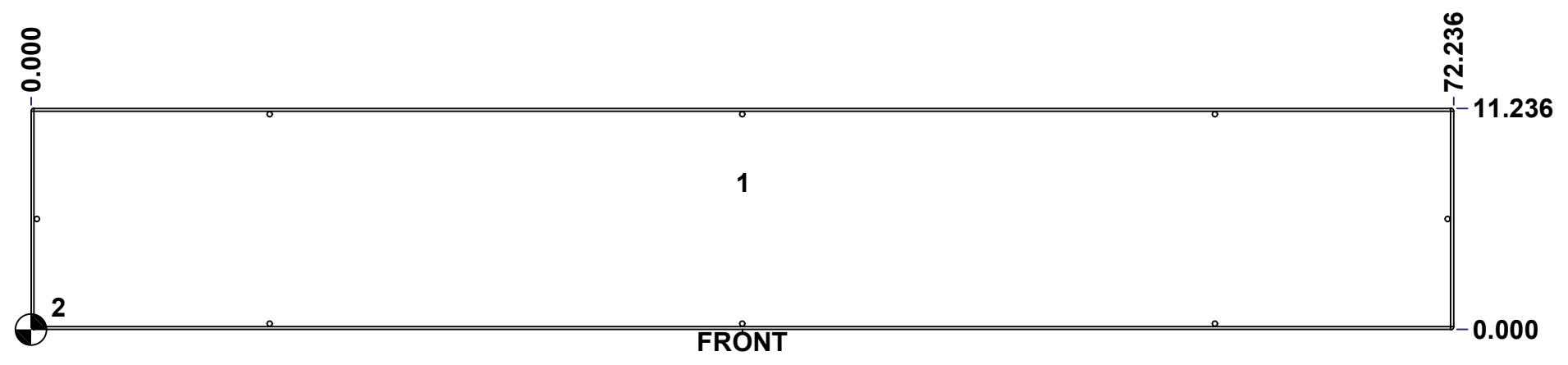
|   |                        |
|---|------------------------|
| Customer Client                                       | Date                   |
| Drawn By / Dessiné Par: BoxCad: BoxCad                | Date: 16-Dec-25        |
| Material / Matière: 16 Ga Stainless Steel 304 (1.4mm) |                        |
| Color / Couleur: Unpainted                            | Finish / Fini: Brushed |
| Description: 1412TSS 11" x 72" Cover                  | Detail Rev.            |
| Part Number / Numéro Pièce: 1412TSS6404C              | Rev. 0                 |

SEE BILL OF MATERIAL ON LAST PAGE

This drawing is confidential and must not be reproduced or used without the consent of EXM

Ce dessin est confidentiel et ne doit pas être reproduit ou utilisé sans le consentement de EXM

| STANDARD FEATURES ARE NOT LISTED IN THIS HOLE TABLE |        |       |                             |
|---|--------|-------|-----------------------------|
| HOLE TABLE - FRONT VIEW (CUSTOM FEATURE ONLY)       |        |       |                             |
| CUT-OUT   | XDIM   | YDIM  | DESCRIPTION                 |
| 1   | 35.900 | 7.500 | LABEL_EXM (Outside)         |
| 2   | 1.145  | 1.125 | STANDOFF M6 x 10mm (Inside) |

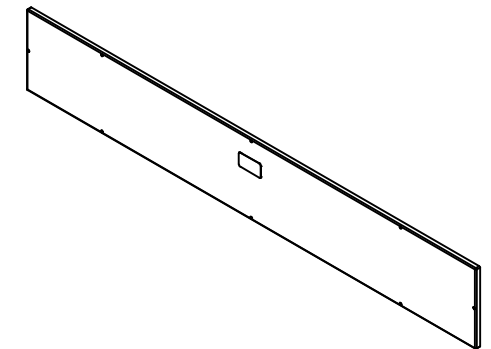


|  |                             |          |    |
|--|-----------------------------|----------|----|
|  | Description                 | Status   |    |
|  | 1412TSS 11" x 72" Cover     | (NULL)   |    |
|  | Part Number<br>Numéro Pièce | Rev.     | 9  |
|  | <b>1412TSS6404C</b>         | <b>0</b> | 12 |

This drawing is confidential and must not be reproduced or used without the consent of EXM


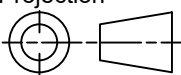
Ce dessin est confidentiel et ne doit pas être reproduit ou utilisé sans le consentement de EXM

| No. | Revisions | Date | By/Par |
|-----|-----------|------|--------|
|     |           |      |        |
|     |           |      |        |
|     |           |      |        |
|     |           |      |        |
|     |           |      |        |



Isometric View



|  |                        |   |
|--|------------------------|---|
|  Tél: (450) 979-4373<br>Fax: (450) 979-4626<br><a href="http://www.exmweb.com">www.exmweb.com</a> |                        | Flatness<br>Aplatissement<br>Max 3.0mm  |
| Customer<br>Client   |                        | Projection<br> |
| Drawn By<br>Dessiné Par BoxCad: BoxCad   |                        | Date 16-Dec-25  |
| Material<br>Matière 16 Ga Stainless Steel 304 (1.4mm)  |                        |   |
| Color<br>Couleur Unpainted   | Finish<br>Fini Brushed |   |
| Description<br>1412TSS 11" x 72" Cover   |                        | Detail Rev.   |
| Part Number<br>Numéro Pièce<br><b>1412TSS6404C</b>   |                        | Rev. 10<br><b>0</b> 12  |

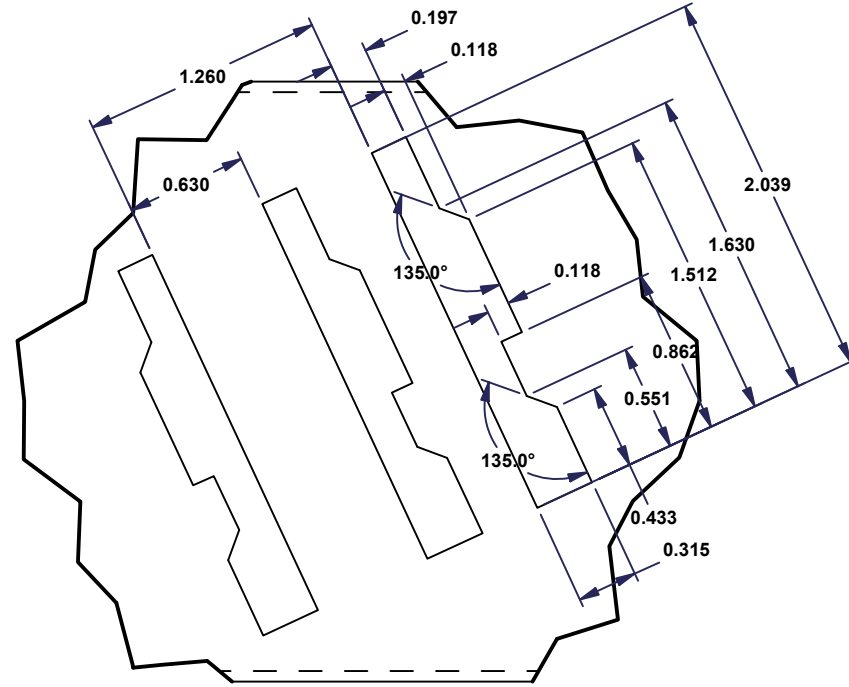
| Qty        | Part Number    | Rev | Description                            |
|------------|----------------|-----|--|
| 1          | STK-Q-08500    | 4   | Stainless Steel Standoff M6 x 10mm     |
| 1          | STK-S-00100    | 0   | 3.5" x 2" Silver Milar Flexcon Sticker |
| 1          | 1412TSS6404G   | 0   | 1412TSS 11" x 72" Gasket               |
| 1          | 1412TSS6404C-P | 0   | 1412TSS 11" x 72" Cover Part           |
| Parts List |                |     |  |

This drawing is confidential and must not be reproduced or used without the consent of EXM

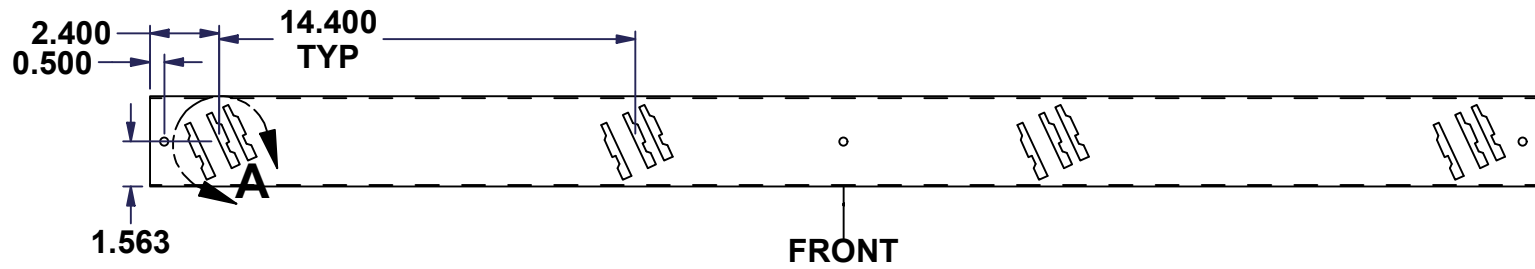
Ce dessin est confidentiel et ne doit pas être reproduit ou utilisé sans le consentement de EXM



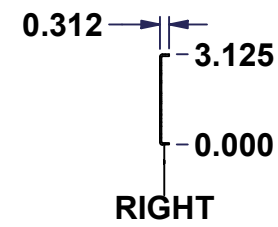
TOP



DETAIL A



FRONT



RIGHT



Isometric View



| No. | Revisions | Date | By/Par |
|-----|-----------|------|--------|
|     |           |      |        |
|     |           |      |        |
|     |           |      |        |
|     |           |      |        |

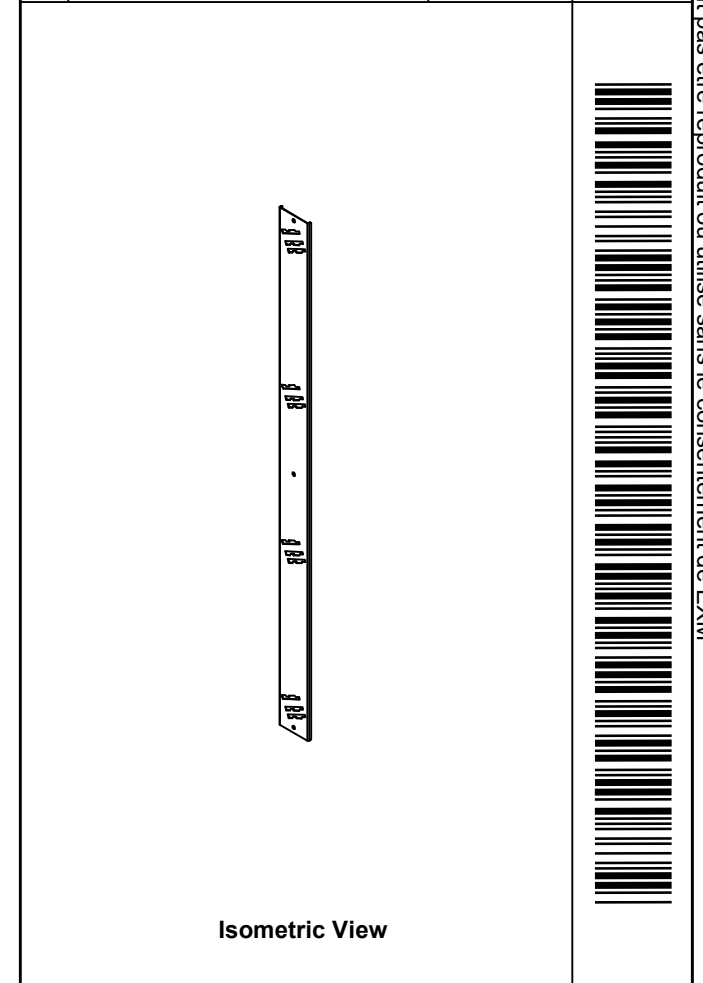
|  |                          |  |
|--|--------------------------|--|
| Tél: (450) 979-4373<br>Fax: (450) 979-4626<br><a href="http://www.exmweb.com">www.exmweb.com</a> |                          | Flatness<br>Aplatissement<br>Max 3.0mm<br>Projection<br> |
| Customer Client  | Date                     |  |
| Drawn By<br>Dessiné Par  | BoxCad: BoxCad           | Date 16-Dec-25   |
| Material<br>Matière  | 16 Ga Galvanized (1.4mm) |  |
| Color<br>Couleur   | Unpainted                | Finish<br>Fini Unpainted                                 |
| Description  | Detail Rev.              |  |
| 1412TSS 11" x 72" Inner Panel  |                          |  |
| Part Number<br>Numéro Pièce  | Rev.                     | 11   |
| 1412TSS6404IP  | 0                        | 12   |


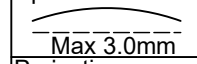
SEE BILL OF MATERIAL ON LAST PAGE

This drawing is confidential and must not be reproduced or used without the consent of EXM

Ce dessin est confidentiel et ne doit pas être reproduit ou utilisé sans le consentement de EXM

| No. | Revisions | Date | By/Par |
|-----|-----------|------|--------|
|     |           |      |        |
|     |           |      |        |
|     |           |      |        |
|     |           |      |        |
|     |           |      |        |



|  |                          |   |
|--|--------------------------|---|
|  Tél: (450) 979-4373<br>Fax: (450) 979-4626<br><a href="http://www.exmweb.com">www.exmweb.com</a> |                          | Flatness<br>Aplatissement<br><br>Max 3.0mm |
| Customer Client  |                          | Date  |
| Drawn By<br>Dessiné Par BoxCad: BoxCad   |                          | Date 16-Dec-25  |
| Material<br>Matière 16 Ga Galvanized (1.4mm)   |                          |   |
| Color<br>Couleur Unpainted   | Finish<br>Fini Unpainted |   |
| Description<br>1412TSS 11" x 72" Inner Panel   |                          | Detail Rev.   |
| Part Number<br>Numéro Pièce<br><b>1412TSS6404IP</b>  |                          | Rev. 12<br><b>0</b>   |

| Qty        | Part Number     | Rev | Description                        |
|------------|-----------------|-----|------------------------------------|
| 1          | 1412TSS6404IP-P | 0   | 1412TSS 11" x 72" Inner Panel Part |
| Parts List |                 |     |                                    |