

This drawing is confidential and must not be reproduced or used without the consent of EXM

Ce dessin est confidentiel et ne doit pas être reproduit ou utilisé sans le consentement de EXM



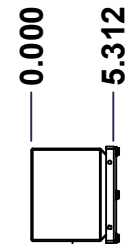
TOP



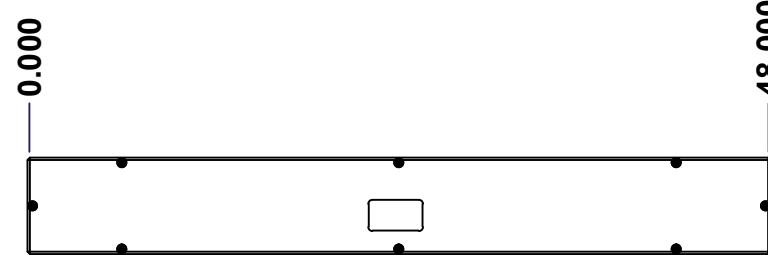
BACK



BOTTOM



LEFT

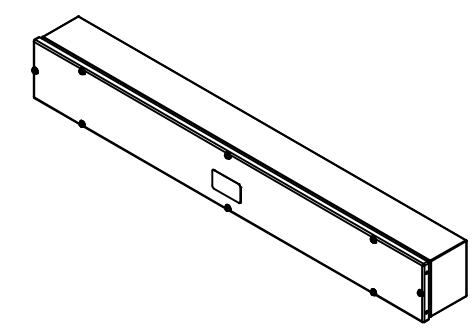


FRONT



RIGHT

| No. | Revisions | Date | By/Par |
|-----|-----------|------|--------|
|     |           |      |        |
|     |           |      |        |
|     |           |      |        |
|     |           |      |        |



Isometric View



Tél: (450) 979-4373  
 Fax: (450) 979-4626  
[www.exmweb.com](http://www.exmweb.com)

Flatness  
 Aplatissement  
 Max 3.0mm  
 Projection

|   |                       |
|---|-----------------------|
| Customer Client                                       | Date                  |
| Drawn By<br>Dessiné Par BoxCad: BoxCad                | Date 23-Dec-25        |
| Material<br>Matière 16 Ga Stainless Steel 304 (1.4mm) |                       |
| Color<br>Couleur Asa-61 Grey                          | Finish<br>Fini Smooth |
| Description<br>1412TSS 6" x 48" x 5.312" Assembly     | Detail Rev.           |
| Part Number<br>Numéro Pièce <b>1412TSSP4104</b>       | Rev. <b>0</b>         |

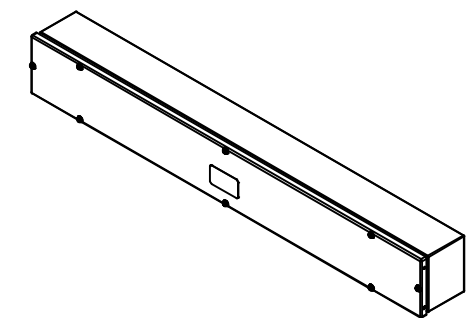
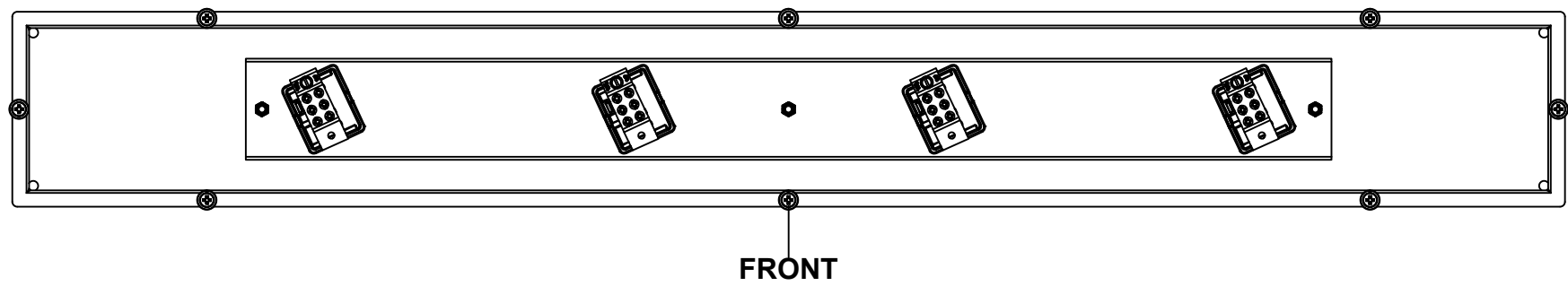
SEE BILL OF MATERIAL ON LAST PAGE

This drawing is confidential and must not be reproduced or used without the consent of EXM

Ce dessin est confidentiel et ne doit pas être reproduit ou utilisé sans le consentement de EXM

| NOTE |  |
|------|--|
| ITEM | DESCRIPTION                                |
| 1    | NEMA 4X Enclosure (IP66)                   |
| 2    | C/W Standard ground studs on box and cover |
| 3    | W/O Standard door stiffener                |
| 4    | C/W Special inner panel (Sold separately)  |
| 5    | C/W Standard inner panel mounting studs    |

| No. | Revisions | Date | By/Par |
|-----|-----------|------|--------|
|     |           |      |        |
|     |           |      |        |
|     |           |      |        |
|     |           |      |        |
|     |           |      |        |
|     |           |      |        |



| PACKING               |     |  |
|-----------------------|-----|--|
| ITEM                  | QTY | DESCRIPTION                                    |
| Cardboard sleeve      | 2   | Top and Bottom                                 |
| Cardboard strip       | 2   | Between back of enclosure and inner panel      |
| Plastic bag           | 1   | To protect cover surface and inside gasket     |
| Cardboard corner      | 4   | To reinforced for the plastic strap tightening |
| Plastic strap - Black | 2   | To Squeeze the 2 cardboard sleeve together     |
| Packaging label       | 3   | White label with PN                            |
| Plastic strap- Green  | 2   | To secure the enclosure to the wood pallet     |
| Wood Pallet           | 1   | 2" deeper and 3" larger than enclosure size    |

|            |                |     |                              |
|------------|----------------|-----|------------------------------|
| 1          | 1412TSSP4104C  | 0   | 1412TSS 6" x 48" Cover       |
| 1          | STK-K-02925    | 3   | 5412 ESSSC Accessory Kit     |
| 1          | 1412TSSP4104IP | 0   | 1412TSS 6" x 48" Inner Panel |
| 1          | 1412TSSP4104B  | 0   | 1412TSS 6" x 48" x 5" Body   |
| 4          | 881 BRC125     | 0   | Aluminum Lug with Insulator  |
| 3          | STK-Q-07220    | 1   | M6 Nylon Insert Lock Nut     |
| Qty        | Part Number    | Rev | Description                  |
| Parts List |                |     |                              |

Tél: (450) 979-4373  
Fax: (450) 979-4626  
[www.exmweb.com](http://www.exmweb.com)

Flatness  
Aplatissement  
Max 3.0mm

Projection

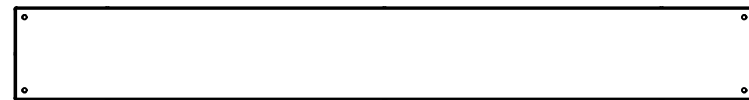
|   |                       |
|---|-----------------------|
| Customer Client                                       | Date                  |
| Drawn By<br>Dessiné Par BoxCad: BoxCad                | Date 23-Dec-25        |
| Material<br>Matière 16 Ga Stainless Steel 304 (1.4mm) |                       |
| Color<br>Couleur Asa-61 Grey                          | Finish<br>Fini Smooth |
| Description<br>1412TSS 6" x 48" x 5.312" Assembly     | Detail Rev.           |
| Part Number<br>Numéro Pièce <b>1412TSSP4104</b>       | Rev. <b>0</b> / 2     |

This drawing is confidential and must not be reproduced or used without the consent of EXM

Ce dessin est confidentiel et ne doit pas être reproduit ou utilisé sans le consentement de EXM



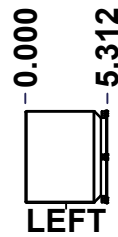
TOP



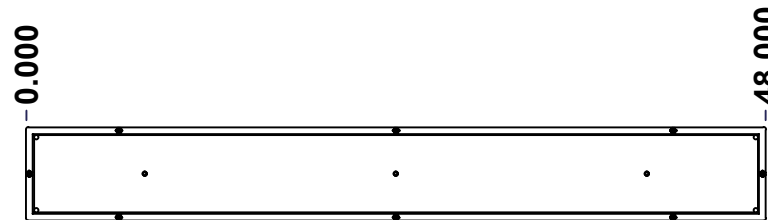
BACK



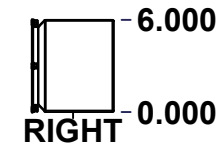
BOTTOM



LEFT

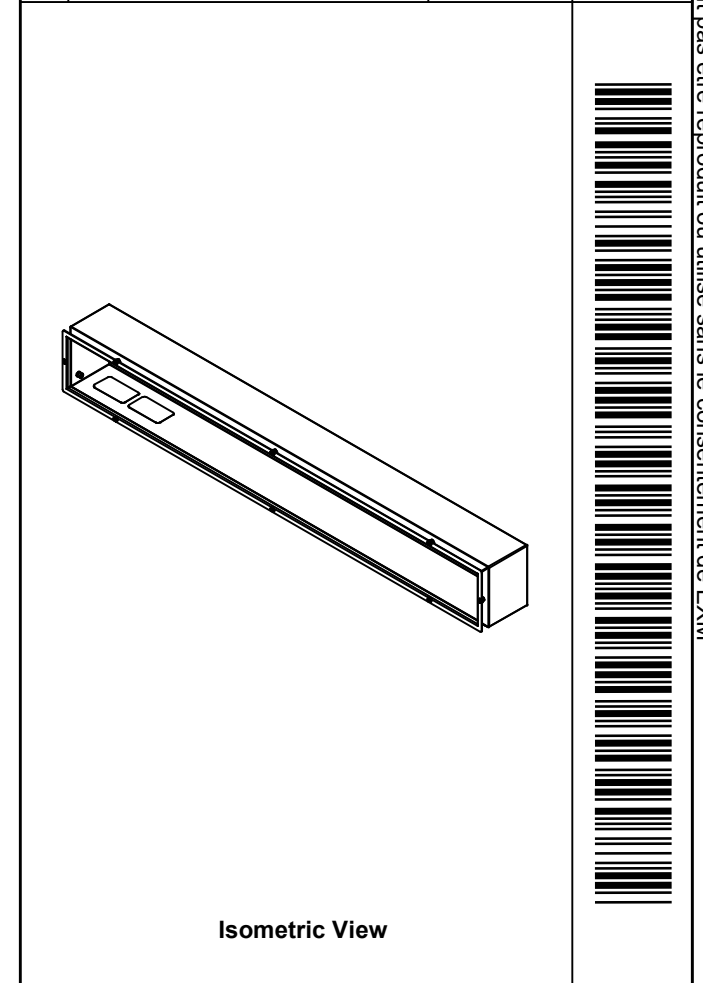


FRONT




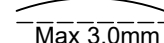
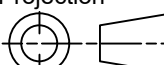
RIGHT

| No. | Revisions | Date | By/Par |
|-----|-----------|------|--------|
|     |           |      |        |
|     |           |      |        |
|     |           |      |        |
|     |           |      |        |
|     |           |      |        |



Isometric View

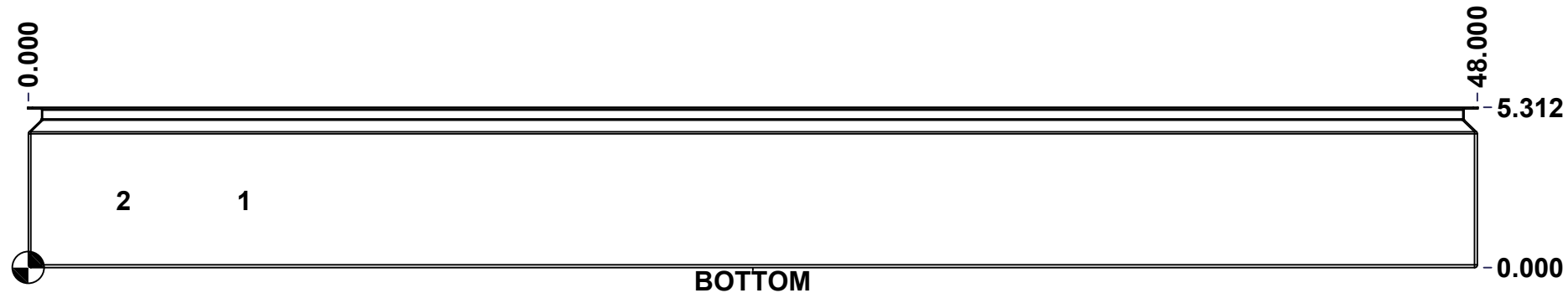


|  |                                   |   |
|--|-----------------------------------|---|
|  Tél: (450) 979-4373<br>Fax: (450) 979-4626<br><a href="http://www.exmweb.com">www.exmweb.com</a> |                                   | Flatness<br>Aplatissement<br><br>Max 3.0mm |
| Projection<br>  |                                   | Date<br>23-Dec-25   |
| Customer Client  | Date                              |   |
| Drawn By<br>Dessiné Par  | BoxCad: BoxCad                    | Date 23-Dec-25  |
| Material<br>Matière  | 16 Ga Stainless Steel 304 (1.4mm) |   |
| Color<br>Couleur   | Asa-61 Grey                       | Finish<br>Fini Smooth   |
| Description<br>1412TSS 6" x 48" x 5" Body  |                                   | Detail Rev.   |
| Part Number<br>Numéro Pièce  | 1412TSSP4104B                     | Rev. 3  |
| SEE BILL OF MATERIAL ON LAST PAGE  |                                   | 0   |

This drawing is confidential and must not be reproduced or used without the consent of EXM

Ce dessin est confidentiel et ne doit pas être reproduit ou utilisé sans le consentement de EXM

| <b>STANDARD FEATURES ARE NOT LISTED IN THIS HOLE TABLE</b> |       |       |                    |
|--|-------|-------|--------------------|
| <b>HOLE TABLE - BOTTOM VIEW (CUSTOM FEATURE ONLY)</b>      |       |       |                    |
| CUT-OUT  | XDIM  | YDIM  | DESCRIPTION        |
| 1  | 7.000 | 2.200 | LABEL_EXM (Inside) |
| 2  | 3.000 | 2.200 | LABEL_EXM (Inside) |

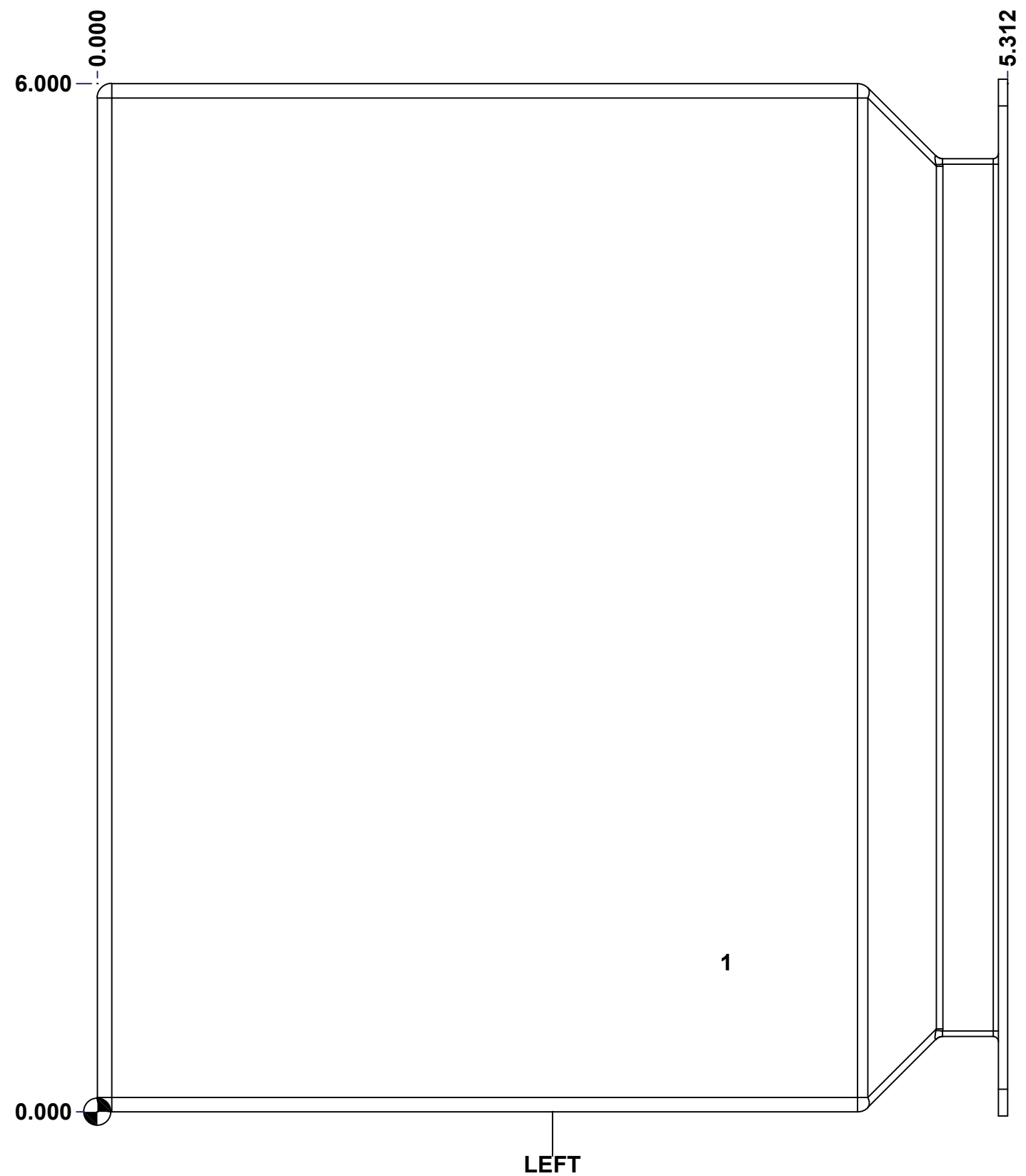


|  |                             |          |         |
|--|-----------------------------|----------|---------|
|  | Description                 | Status   |         |
|  | 1412TSS 6" x 48" x 5" Body  | (NULL)   |         |
|  | Part Number<br>Numéro Pièce | Rev.     |         |
|  | <b>1412TSSP4104B</b>        | <b>0</b> | 4<br>12 |

This drawing is confidential and must not be reproduced or used without the consent of EXM

Ce dessin est confidentiel et ne doit pas être reproduit ou utilisé sans le consentement de EXM

| <b>STANDARD FEATURES ARE NOT LISTED IN THIS HOLE TABLE</b> |       |       |                             |
|--|-------|-------|-----------------------------|
| <b>HOLE TABLE - LEFT VIEW (CUSTOM FEATURE ONLY)</b>        |       |       |                             |
| CUT-OUT  | XDIM  | YDIM  | DESCRIPTION                 |
| 1  | 3.625 | 0.875 | STANDOFF M6 x 10mm (Inside) |

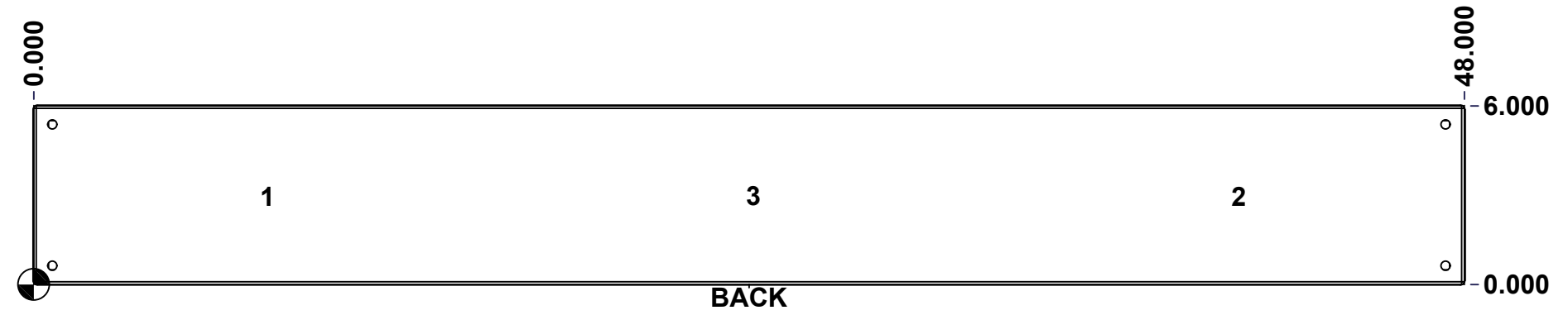


|                             |                            |        |
|-----------------------------|----------------------------|--------|
|                             | Description                | Status |
|                             | 1412TSS 6" x 48" x 5" Body | (NULL) |
| Part Number<br>Numéro Pièce | 1412TSSP4104B              | Rev. 5 |
|                             |                            | 0      |
|                             |                            | 12     |

This drawing is confidential and must not be reproduced or used without the consent of EXM

Ce dessin est confidentiel et ne doit pas être reproduit ou utilisé sans le consentement de EXM

| STANDARD FEATURES ARE NOT LISTED IN THIS HOLE TABLE |        |       |                            |
|---|--------|-------|----------------------------|
| HOLE TABLE - BACK VIEW (CUSTOM FEATURE ONLY)        |        |       |                            |
| CUT-OUT   | XDIM   | YDIM  | DESCRIPTION                |
| 1   | 7.700  | 3.000 | IP STUD M6 x 18mm (Inside) |
| 2   | 40.300 | 3.000 | IP STUD M6 x 18mm (Inside) |
| 3   | 24.000 | 3.000 | IP STUD M6 x 18mm (Inside) |

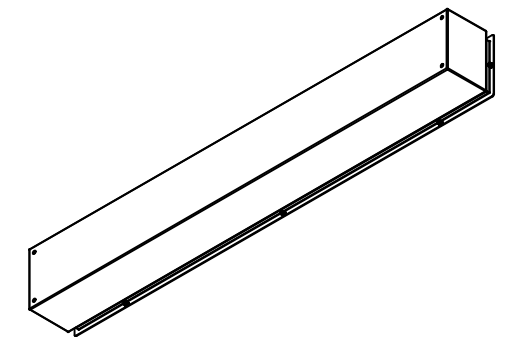


|  |                             |          |
|--|-----------------------------|----------|
|  | Description                 | Status   |
|  | 1412TSS 6" x 48" x 5" Body  | (NULL)   |
|  | Part Number<br>Numéro Pièce | Rev.     |
|  | <b>1412TSSP4104B</b>        | <b>0</b> |
|  |                             | 6        |
|  |                             | 12       |

This drawing is confidential and must not be reproduced or used without the consent of EXM


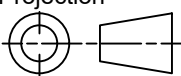
Ce dessin est confidentiel et ne doit pas être reproduit ou utilisé sans le consentement de EXM

| No. | Revisions | Date | By/Par |
|-----|-----------|------|--------|
|     |           |      |        |
|     |           |      |        |
|     |           |      |        |
|     |           |      |        |
|     |           |      |        |



Isometric View



|  |                                   |   |
|--|-----------------------------------|---|
|  Tél: (450) 979-4373<br>Fax: (450) 979-4626<br><a href="http://www.exmweb.com">www.exmweb.com</a> | Flatness<br>Aplatissement         | Max 3.0mm   |
|  | Projection                        |  |
| Customer<br>Client   | Date                              |   |
| Drawn By<br>Dessiné Par  | BoxCad: BoxCad                    | Date 23-Dec-25  |
| Material<br>Matière  | 16 Ga Stainless Steel 304 (1.4mm) |   |
| Color<br>Couleur   | Asa-61 Grey                       | Finish<br>Fini Smooth   |
| Description  | Detail Rev.                       |   |
| 1412TSS 6" x 48" x 5" Body   |                                   |   |
| Part Number<br>Numéro Pièce  | Rev. 0                            | 7 / 12  |
| <b>1412TSSP4104B</b>   |                                   |   |

| Qty        | Part Number           | Rev | Description   |
|------------|-----------------------|-----|---|
| 1          | STK-Q-08500           | 4   | Stainless Steel Standoff M6 x 10mm                  |
| 2          | STK-S-00100           | 0   | 3.5" x 2" Silver Milar Flexcon Sticker              |
| 3          | STK-Q-16070           | 1   | Stud M6 x 18mm Stainless Steel                      |
| 1          | 1412TSSP4104B-P       | 0   | 1412TSS 6" x 48" x 5" Body Part                     |
| 1          | STK-P-02400S          | 0   | Powder Paint (Asa-61 Grey / Smooth)                 |
| 8          | RIVET_NUT_SS_M5_FH_OE | 0   | Stainless Steel Rivet Nut M5 (Low Profile Open End) |
| Parts List |                       |     |   |

This drawing is confidential and must not be reproduced or used without the consent of EXM

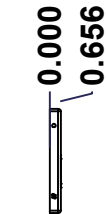
Ce dessin est confidentiel et ne doit pas être reproduit ou utilisé sans le consentement de EXM



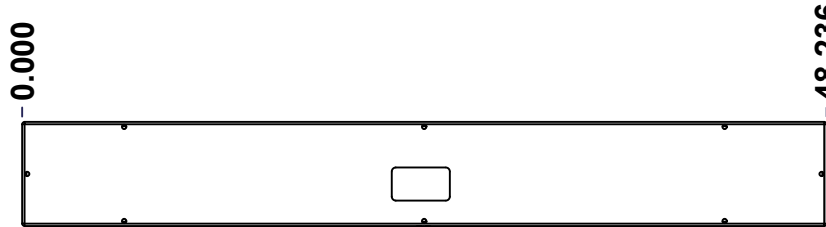
TOP



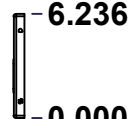
BACK



LEFT



FRONT

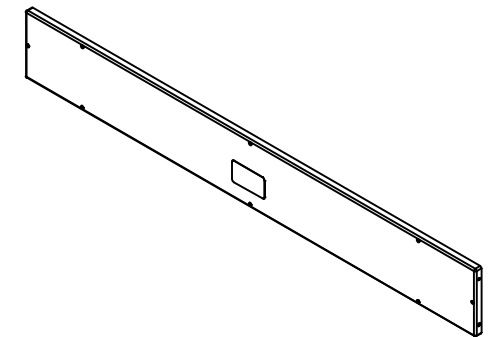


RIGHT



BOTTOM

| No. | Revisions | Date | By/Par |
|-----|-----------|------|--------|
|     |           |      |        |
|     |           |      |        |
|     |           |      |        |
|     |           |      |        |



Isometric View

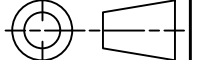


Tél: (450) 979-4373  
 Fax: (450) 979-4626  
[www.exmweb.com](http://www.exmweb.com)

Flatness  
Aplatissement

Max 3.0mm

Projection



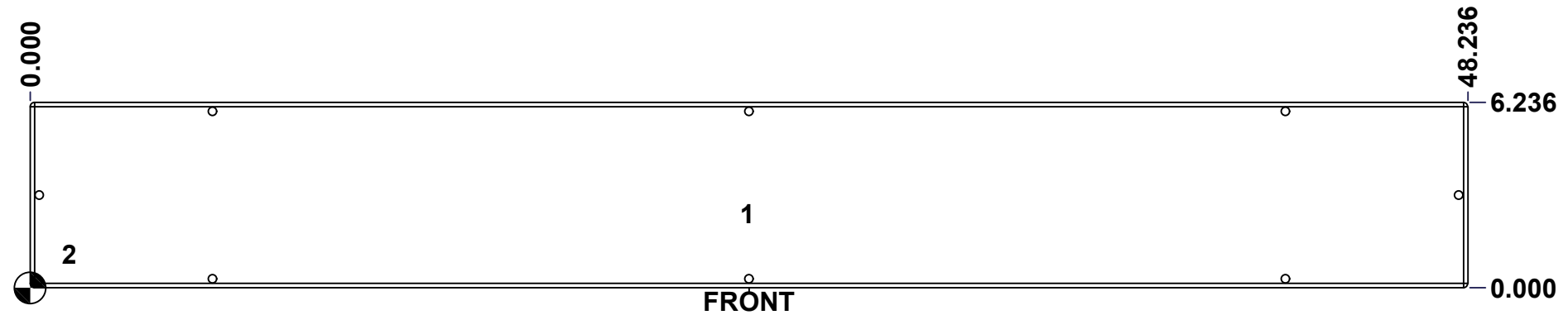
|   |                       |
|---|-----------------------|
| Customer Client                                       | Date                  |
| Drawn By<br>Dessiné Par BoxCad: BoxCad                | Date 23-Dec-25        |
| Material<br>Matière 16 Ga Stainless Steel 304 (1.4mm) |                       |
| Color<br>Couleur Asa-61 Grey                          | Finish<br>Fini Smooth |
| Description<br>1412TSS 6" x 48" Cover                 | Detail Rev.           |
| Part Number<br>Numéro Pièce <b>1412TSSP4104C</b>      | Rev. <b>0</b>         |

SEE BILL OF MATERIAL ON LAST PAGE

This drawing is confidential and must not be reproduced or used without the consent of EXM

Ce dessin est confidentiel et ne doit pas être reproduit ou utilisé sans le consentement de EXM

| STANDARD FEATURES ARE NOT LISTED IN THIS HOLE TABLE |        |       |                             |
|---|--------|-------|-----------------------------|
| HOLE TABLE - FRONT VIEW (CUSTOM FEATURE ONLY)       |        |       |                             |
| CUT-OUT   | XDIM   | YDIM  | DESCRIPTION                 |
| 1   | 23.900 | 2.500 | LABEL_EXM (Outside)         |
| 2   | 1.145  | 1.125 | STANDOFF M6 x 10mm (Inside) |

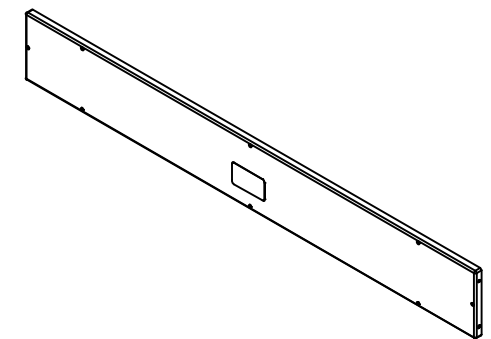


|  |                             |          |         |
|--|-----------------------------|----------|---------|
|  | Description                 | Status   |         |
|  | 1412TSS 6" x 48" Cover      | (NULL)   |         |
|  | Part Number<br>Numéro Pièce | Rev.     |         |
|  | <b>1412TSSP4104C</b>        | <b>0</b> | 9<br>12 |

This drawing is confidential and must not be reproduced or used without the consent of EXM


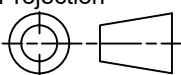
Ce dessin est confidentiel et ne doit pas être reproduit ou utilisé sans le consentement de EXM

| No. | Revisions | Date | By/Par |
|-----|-----------|------|--------|
|     |           |      |        |
|     |           |      |        |
|     |           |      |        |
|     |           |      |        |
|     |           |      |        |



Isometric View

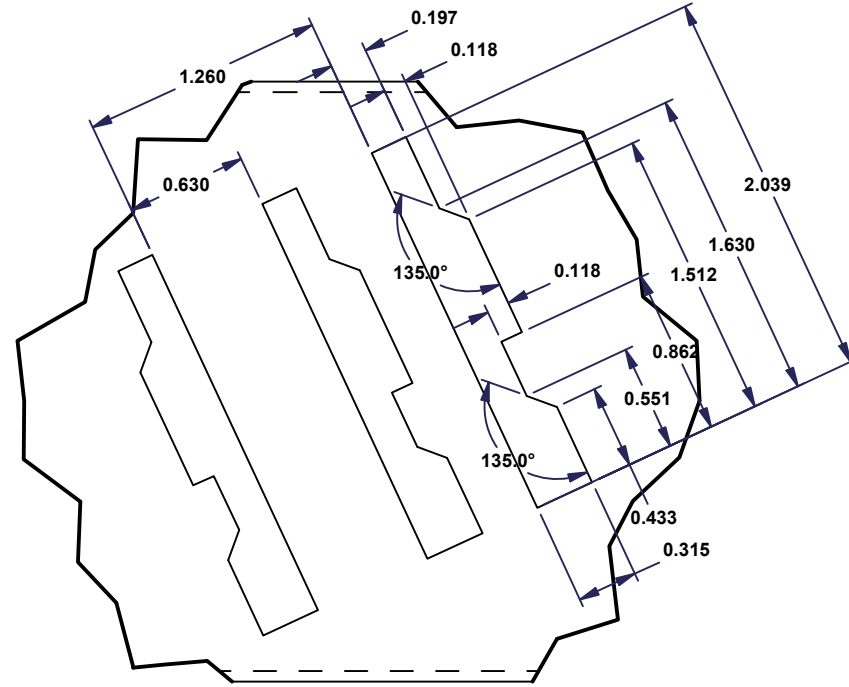
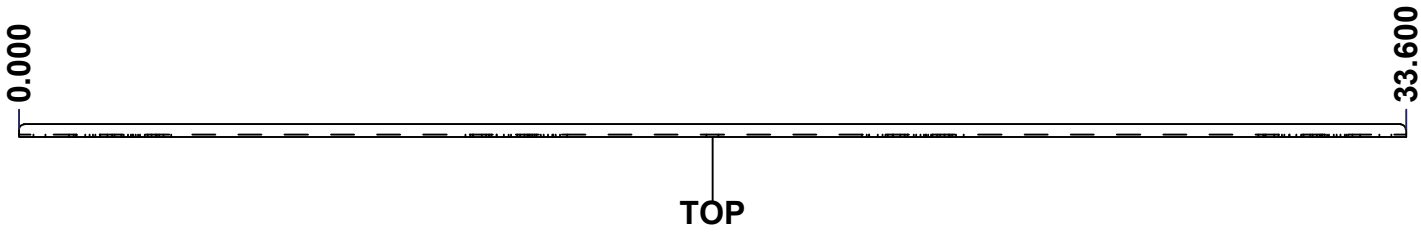


|  |                                   |   |
|--|-----------------------------------|---|
|  Tél: (450) 979-4373<br>Fax: (450) 979-4626<br><a href="http://www.exmweb.com">www.exmweb.com</a> | Flatness<br>Aplatissement         | Max 3.0mm   |
|  | Projection                        |  |
| Customer<br>Client   | Date                              |   |
| Drawn By<br>Dessiné Par  | BoxCad: BoxCad                    | Date 23-Dec-25  |
| Material<br>Matière  | 16 Ga Stainless Steel 304 (1.4mm) |   |
| Color<br>Couleur   | Asa-61 Grey                       | Finish<br>Fini Smooth   |
| Description  | Detail Rev.                       |   |
| 1412TSS 6" x 48" Cover   |                                   |   |
| Part Number<br>Numéro Pièce  | Rev.                              | 10  |
| <b>1412TSSP4104C</b>   | <b>0</b>                          | 12  |

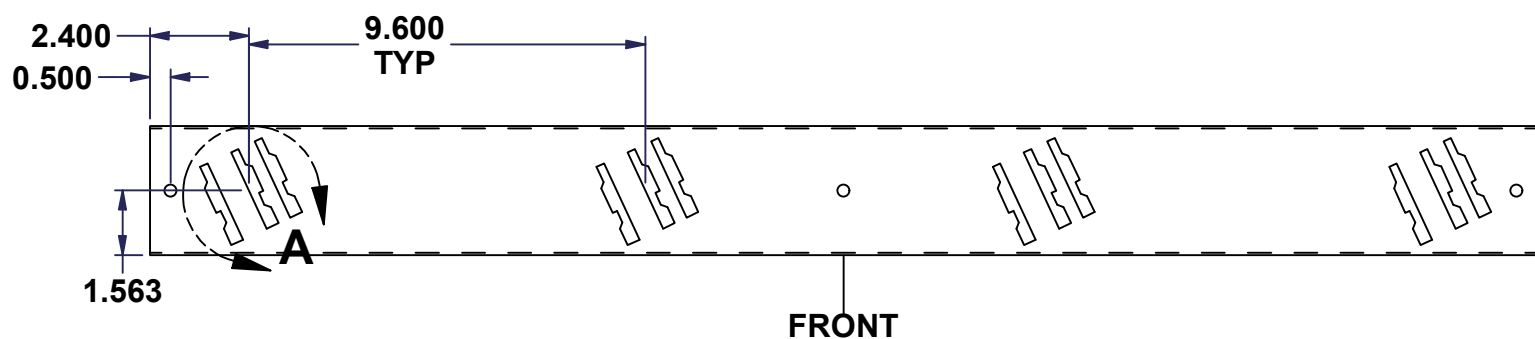
| Qty        | Part Number     | Rev | Description                            |
|------------|-----------------|-----|--|
| 1          | STK-S-00100     | 0   | 3.5" x 2" Silver Milar Flexcon Sticker |
| 1          | STK-P-02400S    | 0   | Powder Paint (Asa-61 Grey / Smooth)    |
| 1          | 1412TSSP4104G   | 0   | 1412TSS 6" x 48" Gasket                |
| 1          | STK-Q-08500     | 4   | Stainless Steel Standoff M6 x 10mm     |
| 1          | 1412TSSP4104C-P | 0   | 1412TSS 6" x 48" Cover Part            |
| Parts List |                 |     |  |

This drawing is confidential and must not be reproduced or used without the consent of EXM

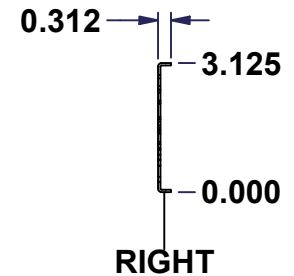
Ce dessin est confidentiel et ne doit pas être reproduit ou utilisé sans le consentement de EXM



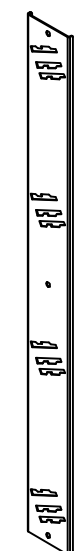
**DETAIL A**



**FRONT**



**RIGHT**



**Isometric View**



| No. | Revisions | Date | By/Par |
|-----|-----------|------|--------|
|     |           |      |        |
|     |           |      |        |
|     |           |      |        |
|     |           |      |        |

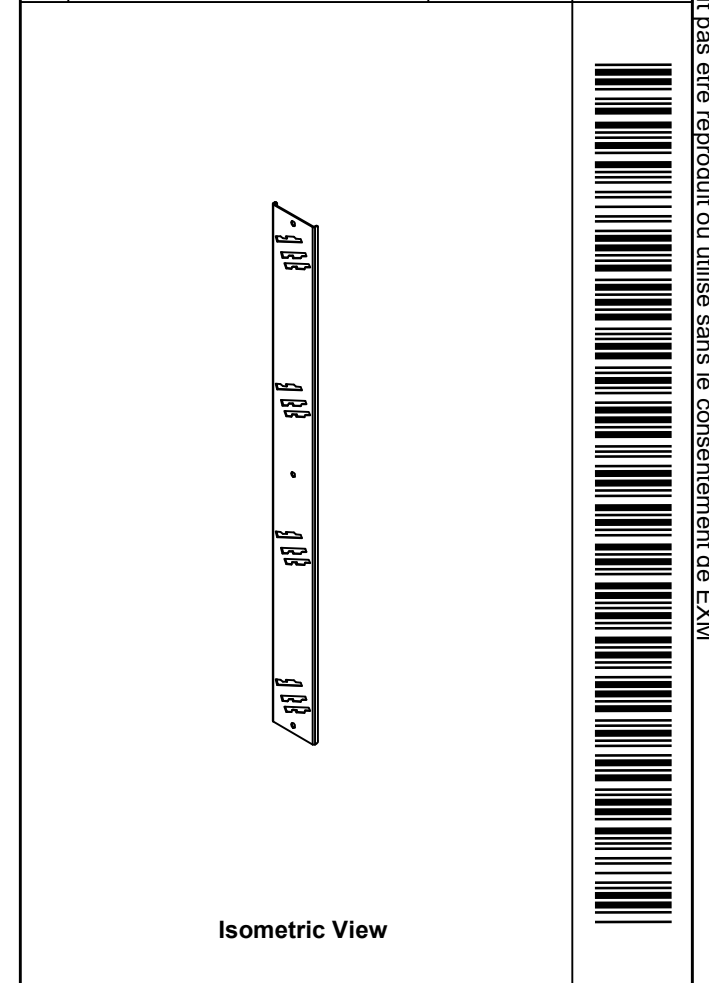
|  |                          |  |
|--|--------------------------|--|
| Tél: (450) 979-4373<br>Fax: (450) 979-4626<br><a href="http://www.exmweb.com">www.exmweb.com</a> |                          | Flatness<br>Aplatissement<br>Max 3.0mm<br>Projection<br> |
| Customer<br>Client   | Date                     |  |
| Drawn By<br>Dessiné Par  | BoxCad: BoxCad           | Date 23-Dec-25   |
| Material<br>Matière  | 16 Ga Galvanized (1.4mm) |  |
| Color<br>Couleur   | Unpainted                | Finish<br>Fini Unpainted                                 |
| Description  | Detail Rev.              |  |
| 1412TSS 6" x 48" Inner Panel   |                          |  |
| Part Number<br>Numéro Pièce  | Rev.                     | 11   |
| 1412TSSP4104IP   | 0                        | 12   |


**SEE BILL OF MATERIAL ON LAST PAGE**

This drawing is confidential and must not be reproduced or used without the consent of EXM

Ce dessin est confidentiel et ne doit pas être reproduit ou utilisé sans le consentement de EXM

| No. | Revisions | Date | By/Par |
|-----|-----------|------|--------|
|     |           |      |        |
|     |           |      |        |
|     |           |      |        |
|     |           |      |        |
|     |           |      |        |



|  |                          |  |
|--|--------------------------|--|
|  Tél: (450) 979-4373<br>Fax: (450) 979-4626<br><a href="http://www.exmweb.com">www.exmweb.com</a> |                          | Flatness<br>Aplatissement<br>Max 3.0mm |
| Customer Client  |                          | Date                                   |
| Drawn By<br>Dessiné Par BoxCad: BoxCad   |                          | Date 23-Dec-25                         |
| Material<br>Matière 16 Ga Galvanized (1.4mm)   |                          |  |
| Color<br>Couleur Unpainted   | Finish<br>Fini Unpainted |  |
| Description<br>1412TSS 6" x 48" Inner Panel  |                          | Detail Rev.                            |
| Part Number<br>Numéro Pièce <b>1412TSSP4104IP</b>  |                          | Rev. <b>0</b>                          |

| Qty        | Part Number      | Rev | Description                       |
|------------|------------------|-----|-----------------------------------|
| 1          | 1412TSSP4104IP-P | 0   | 1412TSS 6" x 48" Inner Panel Part |
| Parts List |                  |     |                                   |