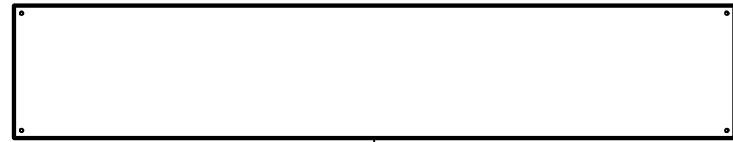


This drawing is confidential and must not be reproduced or used without the consent of EXM

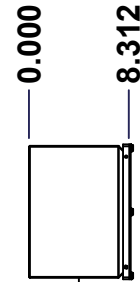
Ce dessin est confidentiel et ne doit pas être reproduit ou utilisé sans le consentement de EXM



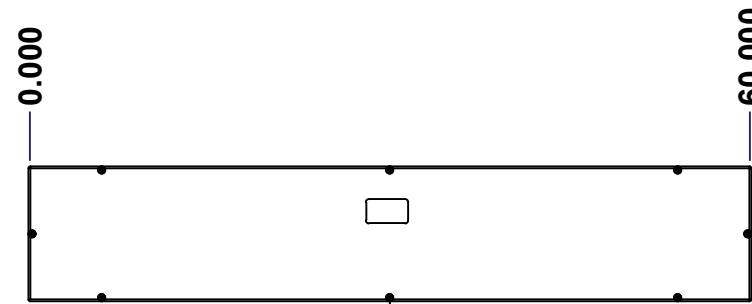
TOP



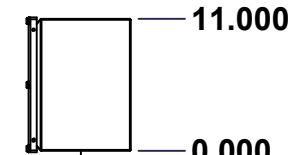
BACK



LEFT



FRONT

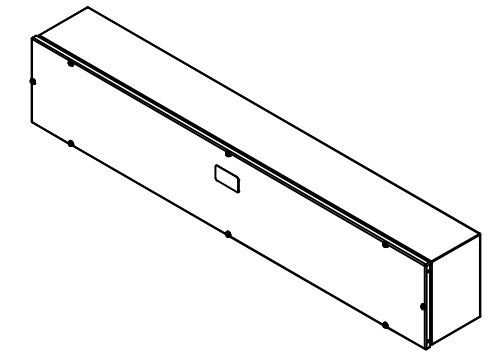


RIGHT



BOTTOM

| No. | Revisions | Date | By/Par |
|-----|-----------|------|--------|
| | | | |
| | | | |
| | | | |
| | | | |



Isometric View

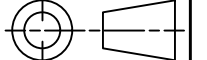


Tél: (450) 979-4373
 Fax: (450) 979-4626
www.exmweb.com

Flatness
Aplatissement

Max 3.0mm

Projection



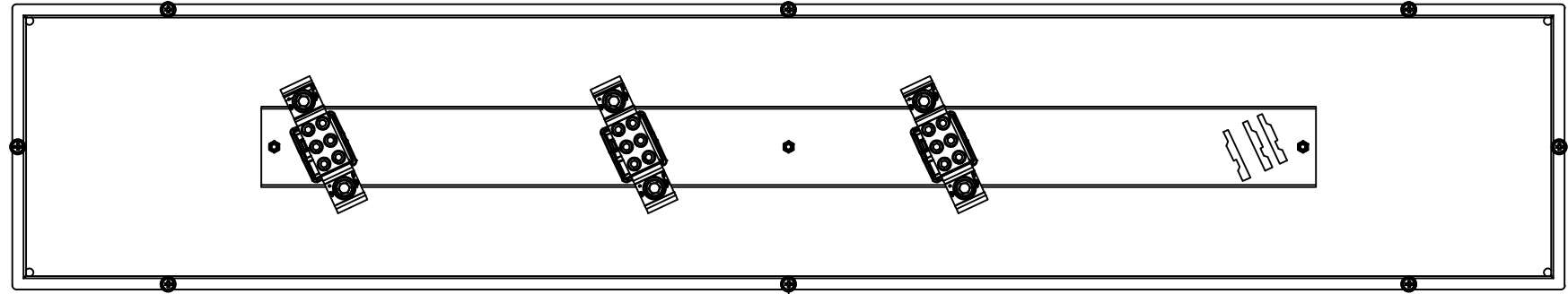
| | |
|---|-----------------------|
| Customer Client | Date |
| Drawn By Dessiné Par BoxCad: BoxCad | Date 23-Dec-25 |
| Material Matière 16 Ga Stainless Steel 304 (1.4mm) | |
| Color Couleur Asa-61 Grey | Finish Fini Smooth |
| Description 1412TSS 11" x 60" x 8.312" Assembly | Detail Rev. |
| Part Number Numéro Pièce 1412TSSP5603 | Rev. 0 |

SEE BILL OF MATERIAL ON LAST PAGE

This drawing is confidential and must not be reproduced or used without the consent of EXM

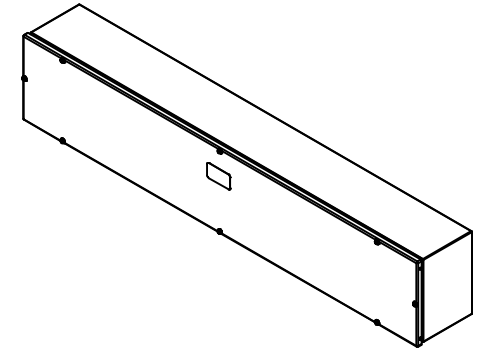
Ce dessin est confidentiel et ne doit pas être reproduit ou utilisé sans le consentement de EXM

| NOTE | |
|------|--|
| ITEM | DESCRIPTION |
| 1 | NEMA 4X Enclosure (IP66) |
| 2 | C/W Standard ground studs on box and cover |
| 3 | W/O Standard door stiffener |
| 4 | C/W Special inner panel (Sold separately) |
| 5 | C/W Standard inner panel mounting studs |



FRONT

| No. | Revisions | Date | By/Par |
|-----|-----------|------|--------|
| | | | |
| | | | |
| | | | |
| | | | |
| | | | |



Isometric View



| PACKING | | |
|-----------------------|-----|--|
| ITEM | QTY | DESCRIPTION |
| Cardboard sleeve | 2 | Top and Bottom |
| Cardboard strip | 2 | Between back of enclosure and inner panel |
| Plastic bag | 1 | To protect cover surface and inside gasket |
| Cardboard corner | 4 | To reinforced for the plastic strap tightening |
| Plastic strap - Black | 2 | To Squeeze the 2 cardboard sleeve together |
| Packaging label | 3 | White label with PN |
| Plastic strap- Green | 2 | To secure the enclosure to the wood pallet |
| Wood Pallet | 1 | 2" deeper and 3" larger than enclosure size |

| Qty | Part Number | Rev | Description |
|-----|----------------|-----|--|
| 1 | 1412TSSP5603C | 0 | 1412TSS 11" x 60" Cover |
| 1 | STK-K-02925 | 3 | 5412 ESSSC Accessory Kit |
| 1 | 1412TSSP5603IP | 0 | 1412TSS 11" x 60" Inner Panel |
| 1 | 1412TSSP5603B | 0 | 1412TSS 11" x 60" x 8" Body |
| 3 | 881 BRC600 | 7 | Aluminum Lug with Insulator (250MCM-2) |
| 3 | STK-Q-07220 | 1 | M6 Nylon Insert Lock Nut |

Parts List

Tél: (450) 979-4373
Fax: (450) 979-4626
www.exmweb.com

Flatness
Aplatissement
Max 3.0mm

Projection

| | |
|---|-----------------------|
| Customer Client | Date |
| Drawn By Dessiné Par BoxCad: BoxCad | Date 23-Dec-25 |
| Material Matière 16 Ga Stainless Steel 304 (1.4mm) | |
| Color Couleur Asa-61 Grey | Finish Fini Smooth |
| Description 1412TSS 11" x 60" x 8.312" Assembly | |
| Part Number Numéro Pièce 1412TSSP5603 | Rev. 0 / 2 |

This drawing is confidential and must not be reproduced or used without the consent of EXM

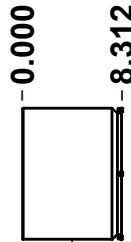
Ce dessin est confidentiel et ne doit pas être reproduit ou utilisé sans le consentement de EXM



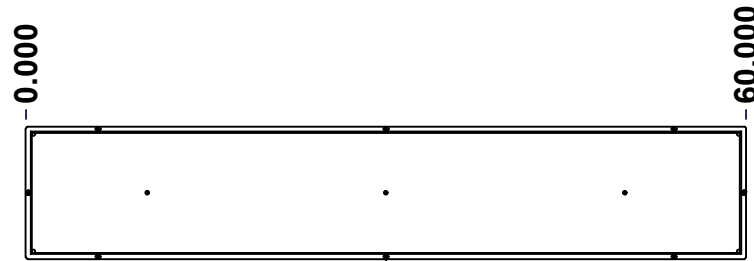
TOP



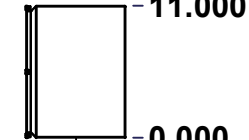
BACK



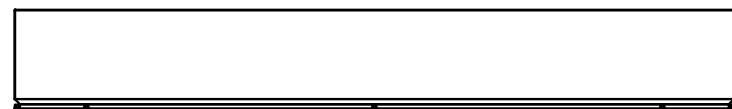
LEFT



FRONT

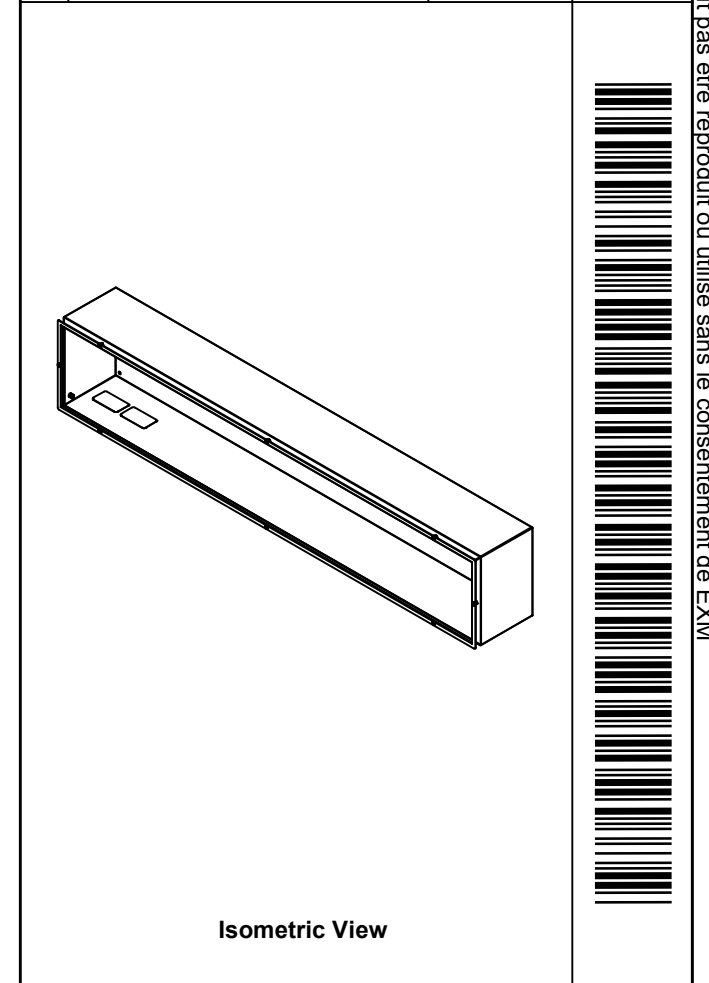



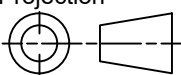
RIGHT



BOTTOM

| No. | Revisions | Date | By/Par |
|-----|-----------|------|--------|
| | | | |
| | | | |
| | | | |
| | | | |
| | | | |



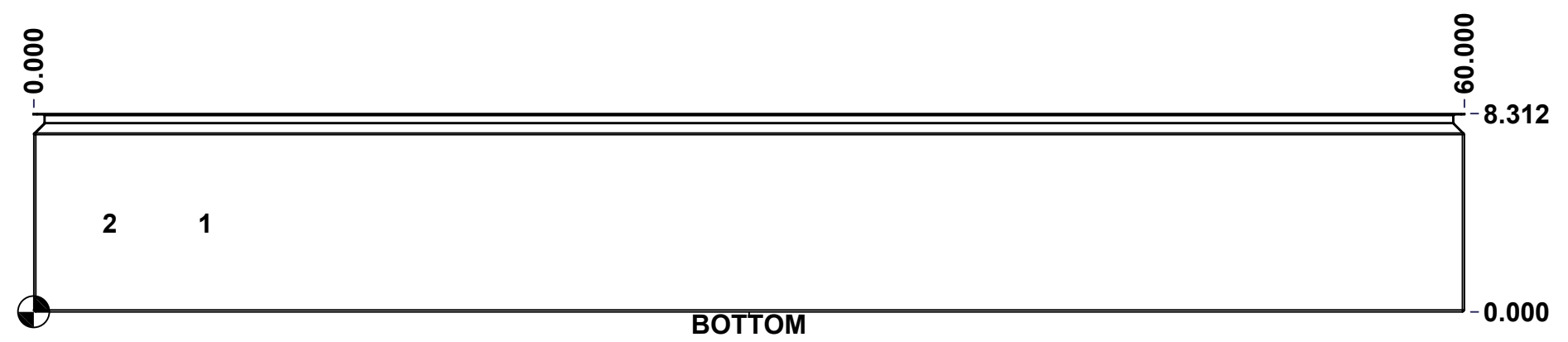
| | | |
|--|-----------------------------------|---|
|  Tél: (450) 979-4373 Fax: (450) 979-4626 www.exmweb.com | | Flatness Aplatissement Max 3.0mm Projection  |
| Customer Client | Date | |
| Drawn By Dessiné Par | BoxCad: BoxCad | Date 23-Dec-25 |
| Material Matière | 16 Ga Stainless Steel 304 (1.4mm) | |
| Color Couleur | Asa-61 Grey | Finish Fini Smooth |
| Description | Detail Rev. | |
| 1412TSS 11" x 60" x 8" Body | | |
| Part Number Numéro Pièce | Rev. | 3 |
| 1412TSSP5603B | 0 | 12 |

SEE BILL OF MATERIAL ON LAST PAGE

This drawing is confidential and must not be reproduced or used without the consent of EXM

Ce dessin est confidentiel et ne doit pas être reproduit ou utilisé sans le consentement de EXM

| STANDARD FEATURES ARE NOT LISTED IN THIS HOLE TABLE | | | |
|--|-------|-------|--------------------|
| HOLE TABLE - BOTTOM VIEW (CUSTOM FEATURE ONLY) | | | |
| CUT-OUT | XDIM | YDIM | DESCRIPTION |
| 1 | 7.000 | 3.700 | LABEL_EXM (Inside) |
| 2 | 3.000 | 3.700 | LABEL_EXM (Inside) |

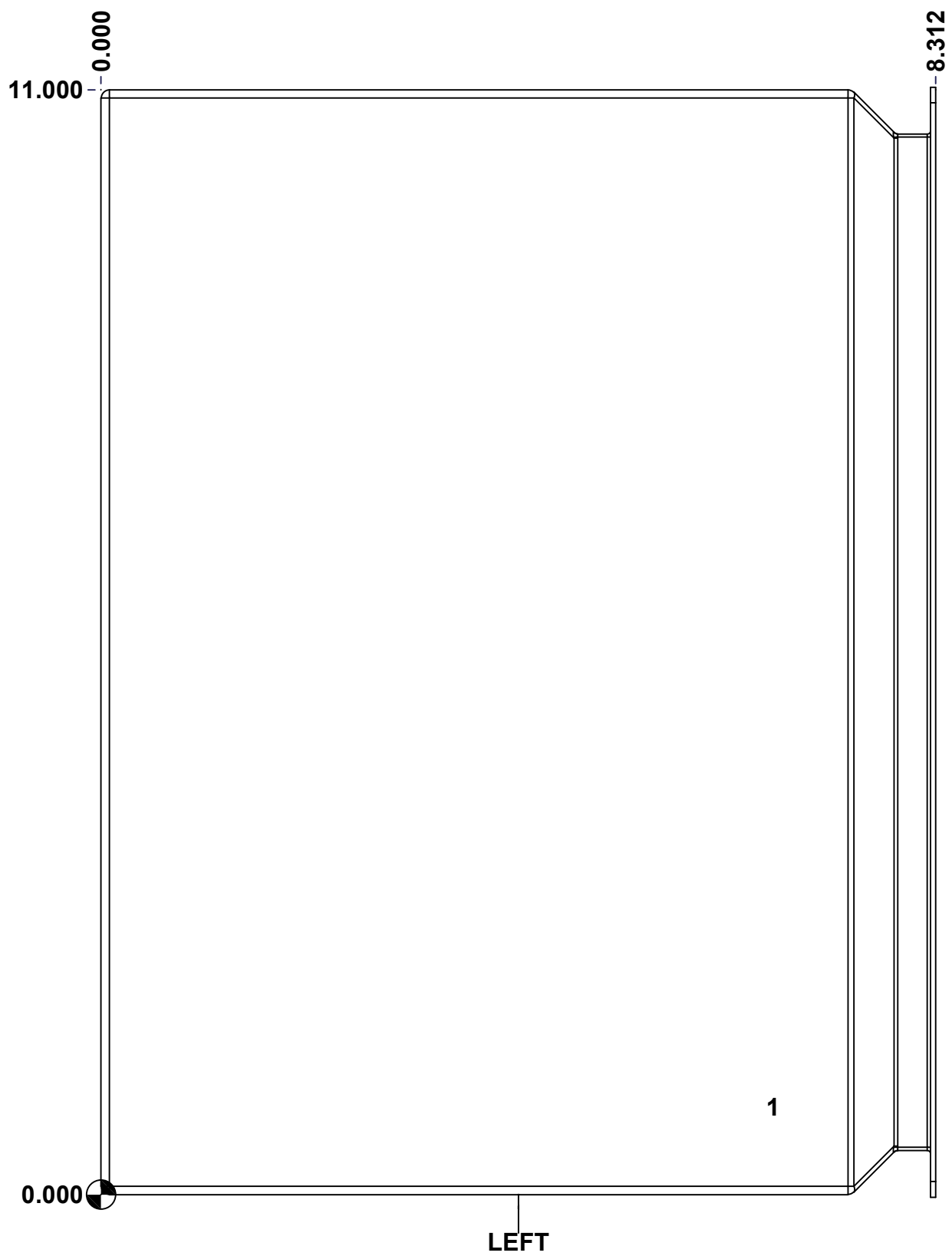


| | | | |
|--|-----------------------------|----------|---------|
| | Description | Status | |
| | 1412TSS 11" x 60" x 8" Body | (NULL) | |
| | Part Number Numéro Pièce | Rev. | |
| | 1412TSSP5603B | 0 | 4 12 |

This drawing is confidential and must not be reproduced or used without the consent of EXM

Ce dessin est confidentiel et ne doit pas être reproduit ou utilisé sans le consentement de EXM

| STANDARD FEATURES ARE NOT LISTED IN THIS HOLE TABLE | | | |
|--|-------|-------|-----------------------------|
| HOLE TABLE - LEFT VIEW (CUSTOM FEATURE ONLY) | | | |
| CUT-OUT | XDIM | YDIM | DESCRIPTION |
| 1 | 6.625 | 0.875 | STANDOFF M6 x 10mm (Inside) |

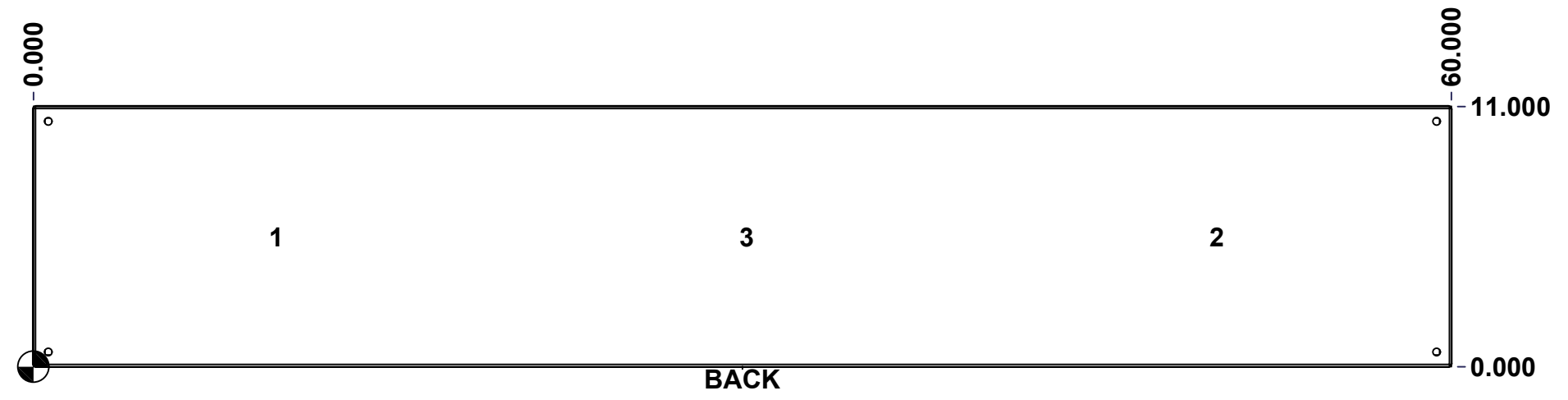


| | | |
|-----------------------------|-----------------------------|--------|
| | Description | Status |
| | 1412TSS 11" x 60" x 8" Body | (NULL) |
| Part Number Numéro Pièce | 1412TSSP5603B | Rev. |
| | | 5 |
| | | 12 |

This drawing is confidential and must not be reproduced or used without the consent of EXM

Ce dessin est confidentiel et ne doit pas être reproduit ou utilisé sans le consentement de EXM

| STANDARD FEATURES ARE NOT LISTED IN THIS HOLE TABLE | | | |
|---|--------|-------|----------------------------|
| HOLE TABLE - BACK VIEW (CUSTOM FEATURE ONLY) | | | |
| CUT-OUT | XDIM | YDIM | DESCRIPTION |
| 1 | 10.100 | 5.500 | IP STUD M6 x 18mm (Inside) |
| 2 | 49.900 | 5.500 | IP STUD M6 x 18mm (Inside) |
| 3 | 30.000 | 5.500 | IP STUD M6 x 18mm (Inside) |

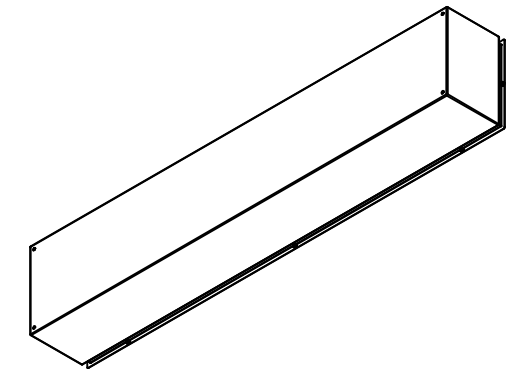


| | | | |
|--|-----------------------------|----------|----|
| | Description | Status | |
| | 1412TSS 11" x 60" x 8" Body | (NULL) | |
| | Part Number Numéro Pièce | Rev. | 6 |
| | 1412TSSP5603B | 0 | 12 |

This drawing is confidential and must not be reproduced or used without the consent of EXM

Ce dessin est confidentiel et ne doit pas être reproduit ou utilisé sans le consentement de EXM

| No. | Revisions | Date | By/Par |
|-----|-----------|------|--------|
| | | | |
| | | | |
| | | | |
| | | | |
| | | | |



Isometric View

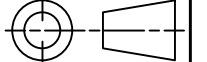


Tél: (450) 979-4373
 Fax: (450) 979-4626
www.exmweb.com

Flatness
Aplatissement

Max 3.0mm

Projection



| | |
|--|-----------------|
| Customer Client | Date |
| Drawn By / Dessiné Par: BoxCad: BoxCad | Date: 23-Dec-25 |

Material / Matière: 16 Ga Stainless Steel 304 (1.4mm)

Color / Couleur: Asa-61 Grey Finish / Fini: Smooth

Description: 1412TSS 11" x 60" x 8" Body Detail Rev.

Part Number / Numéro Pièce: **1412TSSP5603B** Rev. 0 7/12

| 1 | STK-Q-08500 | 4 | Stainless Steel Standoff M6 x 10mm |
|------------|-----------------------|-----|---|
| 2 | STK-S-00100 | 0 | 3.5" x 2" Silver Milar Flexcon Sticker |
| 3 | STK-Q-16070 | 1 | Stud M6 x 18mm Stainless Steel |
| 1 | 1412TSSP5603B-P | 0 | 1412TSS 11" x 60" x 8" Body Part |
| 1 | STK-P-02400S | 0 | Powder Paint (Asa-61 Grey / Smooth) |
| 8 | RIVET_NUT_SS_M5_FH_OE | 0 | Stainless Steel Rivet Nut M5 (Low Profile Open End) |
| Qty | Part Number | Rev | Description |
| Parts List | | | |

This drawing is confidential and must not be reproduced or used without the consent of EXM

Ce dessin est confidentiel et ne doit pas être reproduit ou utilisé sans le consentement de EXM



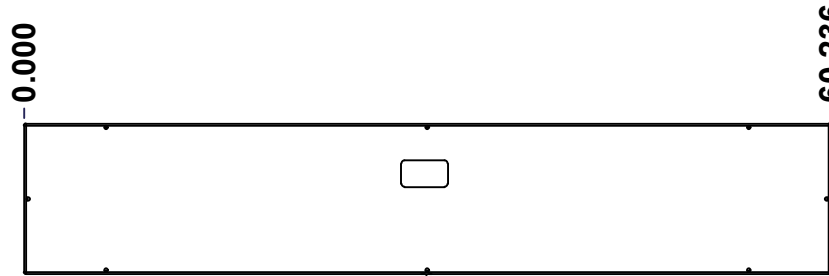
TOP



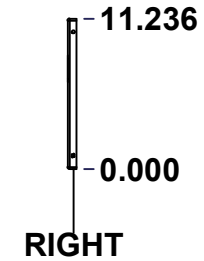
BACK



LEFT



FRONT

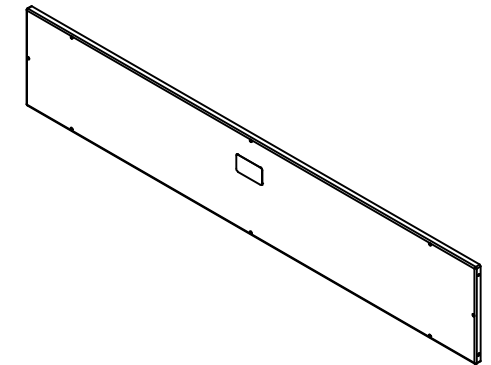


RIGHT



BOTTOM

| No. | Revisions | Date | By/Par |
|-----|-----------|------|--------|
| | | | |
| | | | |
| | | | |
| | | | |



Isometric View

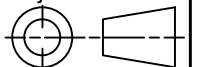


Tél: (450) 979-4373
 Fax: (450) 979-4626
www.exmweb.com

Flatness
Aplatissement

Max 3.0mm

Projection



| | |
|---|-----------------------|
| Customer Client | Date |
| Drawn By / Dessiné Par: BoxCad: BoxCad | Date: 23-Dec-25 |
| Material / Matière: 16 Ga Stainless Steel 304 (1.4mm) | |
| Color / Couleur: Asa-61 Grey | Finish / Fini: Smooth |

| | |
|--------------------------------------|-------------|
| Description: 1412TSS 11" x 60" Cover | Detail Rev. |
|--------------------------------------|-------------|

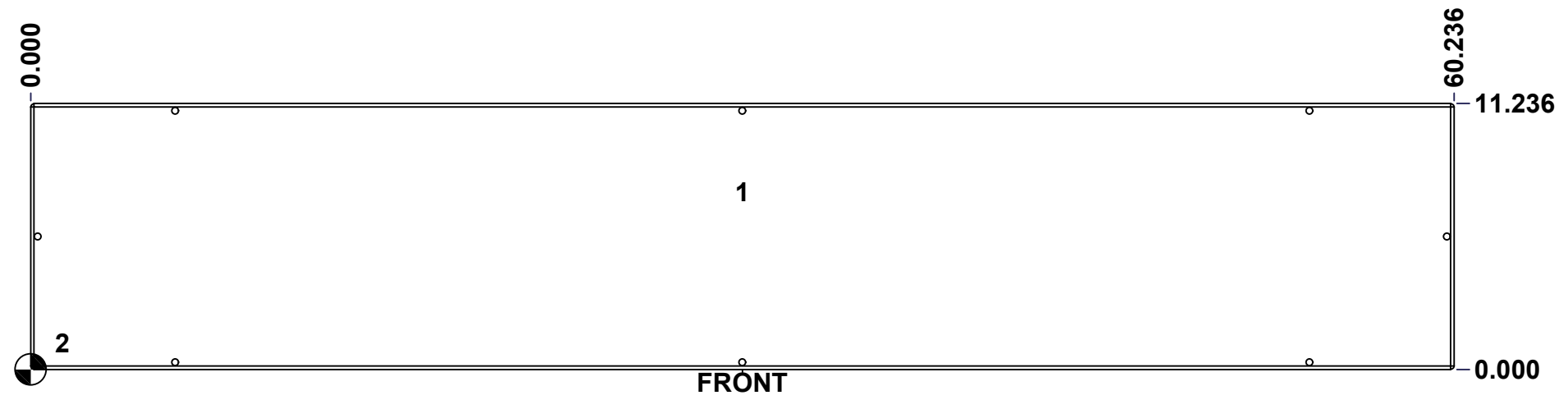
| | | | |
|---|--------|---|----|
| Part Number / Numéro Pièce: 1412TSSP5603C | Rev. 0 | 8 | 12 |
|---|--------|---|----|

SEE BILL OF MATERIAL ON LAST PAGE

This drawing is confidential and must not be reproduced or used without the consent of EXM

Ce dessin est confidentiel et ne doit pas être reproduit ou utilisé sans le consentement de EXM

| STANDARD FEATURES ARE NOT LISTED IN THIS HOLE TABLE | | | |
|---|--------|-------|-----------------------------|
| HOLE TABLE - FRONT VIEW (CUSTOM FEATURE ONLY) | | | |
| CUT-OUT | XDIM | YDIM | DESCRIPTION |
| 1 | 29.900 | 7.500 | LABEL_EXM (Outside) |
| 2 | 1.145 | 1.125 | STANDOFF M6 x 10mm (Inside) |

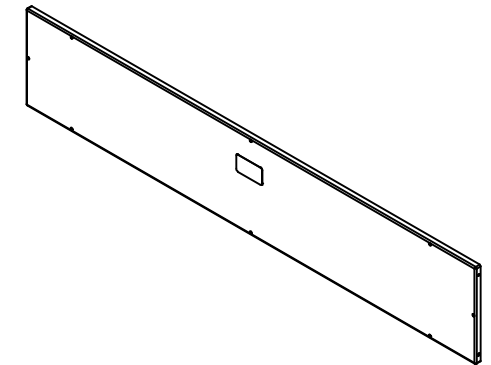


| | | |
|--|-----------------------------|----------|
| | Description | Status |
| | 1412TSS 11" x 60" Cover | (NULL) |
| | Part Number Numéro Pièce | Rev. |
| | 1412TSSP5603C | 0 |
| | | 9 |
| | | 12 |

This drawing is confidential and must not be reproduced or used without the consent of EXM


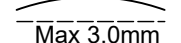
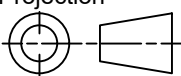
Ce dessin est confidentiel et ne doit pas être reproduit ou utilisé sans le consentement de EXM

| No. | Revisions | Date | By/Par |
|-----|-----------|------|--------|
| | | | |
| | | | |
| | | | |
| | | | |
| | | | |



Isometric View



| | | |
|--|-----------------------|---|
|  Tél: (450) 979-4373 Fax: (450) 979-4626 www.exmweb.com | | Flatness Aplatissement  Max 3.0mm |
| Projection  | | Date 23-Dec-25 |
| Customer Client | Date | |
| Drawn By / Dessiné Par: BoxCad: BoxCad | Date: 23-Dec-25 | |
| Material / Matière: 16 Ga Stainless Steel 304 (1.4mm) | Date | |
| Color / Couleur: Asa-61 Grey | Finish / Fini: Smooth | Date |
| Description: 1412TSS 11" x 60" Cover | | Detail Rev. |
| Part Number / Numéro Pièce: 1412TSSP5603C | | Rev. 0 |

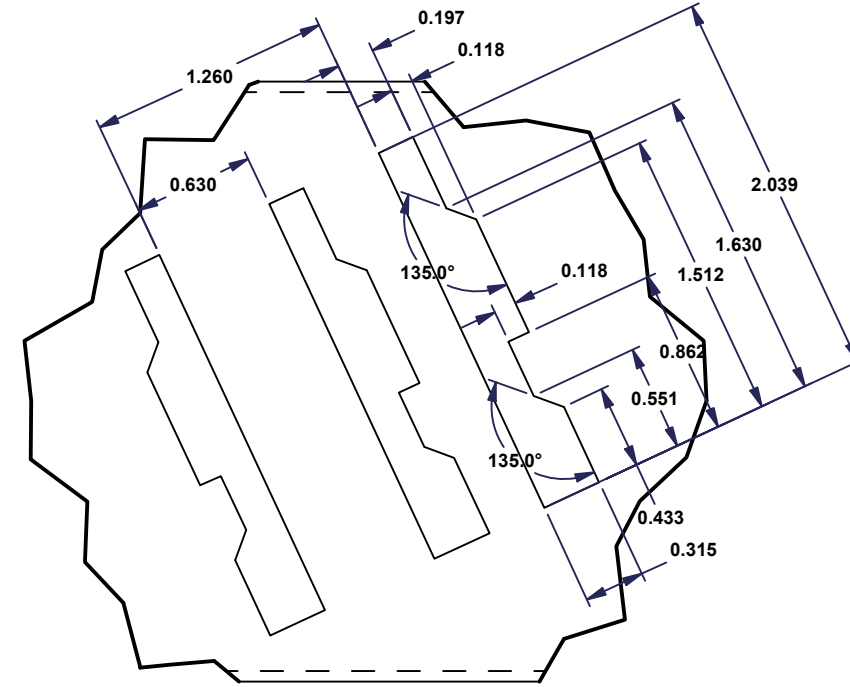
| Qty | Part Number | Rev | Description |
|------------|-----------------|-----|--|
| 1 | STK-S-00100 | 0 | 3.5" x 2" Silver Milar Flexcon Sticker |
| 1 | STK-P-02400S | 0 | Powder Paint (Asa-61 Grey / Smooth) |
| 1 | 1412TSSP5603G | 0 | 1412TSS 11" x 60" Gasket |
| 1 | STK-Q-08500 | 4 | Stainless Steel Standoff M6 x 10mm |
| 1 | 1412TSSP5603C-P | 0 | 1412TSS 11" x 60" Cover Part |
| Parts List | | | |

This drawing is confidential and must not be reproduced or used without the consent of EXM

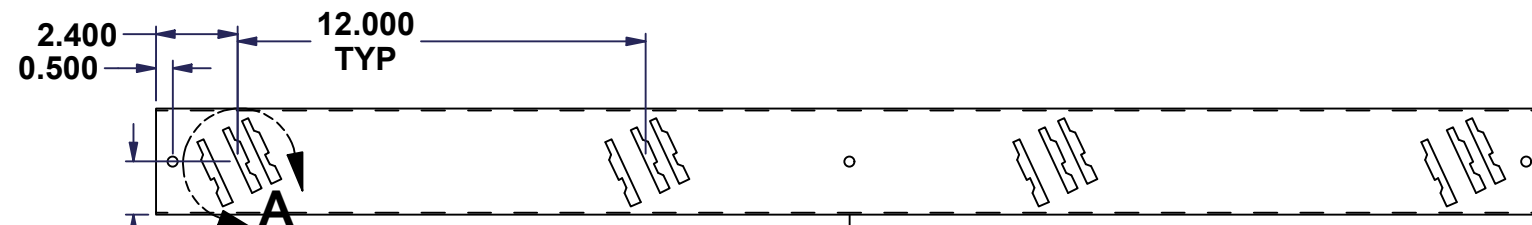
Ce dessin est confidentiel et ne doit pas être reproduit ou utilisé sans le consentement de EXM



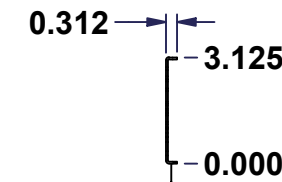
TOP



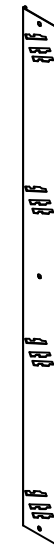
DETAIL A



FRONT



RIGHT



Isometric View



| No. | Revisions | Date | By/Par |
|-----|-----------|------|--------|
| | | | |
| | | | |
| | | | |
| | | | |

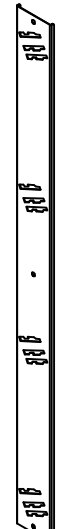
| | | |
|--|--------------------------|--|
| Tél: (450) 979-4373 Fax: (450) 979-4626 www.exmweb.com | | Flatness Aplatissement Max 3.0mm Projection |
| Customer Client | Date | |
| Drawn By Dessiné Par | BoxCad: BoxCad | Date 23-Dec-25 |
| Material Matière | 16 Ga Galvanized (1.4mm) | |
| Color Couleur | Unpainted | Finish Fini Unpainted |
| Description | Detail Rev. | |
| 1412TSS 11" x 60" Inner Panel | | |
| Part Number Numéro Pièce | Rev. | 11 |
| 1412TSSP5603IP | 0 | 12 |

SEE BILL OF MATERIAL ON LAST PAGE


This drawing is confidential and must not be reproduced or used without the consent of EXM


Ce dessin est confidentiel et ne doit pas être reproduit ou utilisé sans le consentement de EXM

| No. | Revisions | Date | By/Par |
|-----|-----------|------|--------|
| | | | |
| | | | |
| | | | |
| | | | |
| | | | |



Isometric View



| | | |
|--|--------------------------|--|
|  Tél: (450) 979-4373 Fax: (450) 979-4626 www.exmweb.com | | Flatness Aplatissement Max 3.0mm |
| Customer Client | | Date |
| Drawn By Dessiné Par BoxCad: BoxCad | | Date 23-Dec-25 |
| Material Matière 16 Ga Galvanized (1.4mm) | | |
| Color Couleur Unpainted | Finish Fini Unpainted | |
| Description 1412TSS 11" x 60" Inner Panel | | Detail Rev. |
| Part Number Numéro Pièce 1412TSSP5603IP | | Rev. 0 |

| Qty | Part Number | Rev | Description |
|------------|------------------|-----|------------------------------------|
| 1 | 1412TSSP5603IP-P | 0 | 1412TSS 11" x 60" Inner Panel Part |
| Parts List | | | |