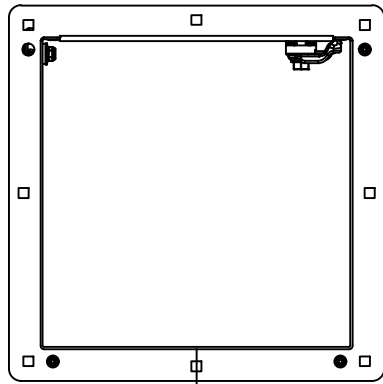
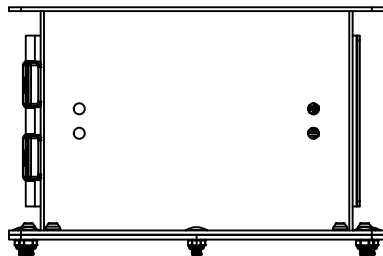


This drawing is confidential and must not be reproduced or used without the consent of EXM

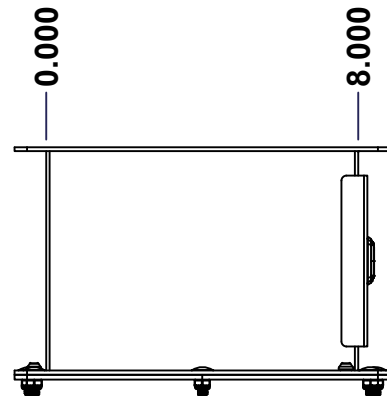
Ce dessin est confidentiel et ne doit pas être reproduit ou utilisé sans le consentement de EXM



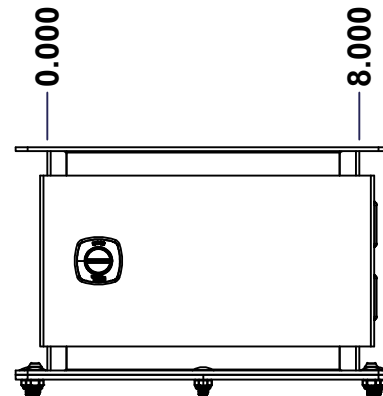
TOP



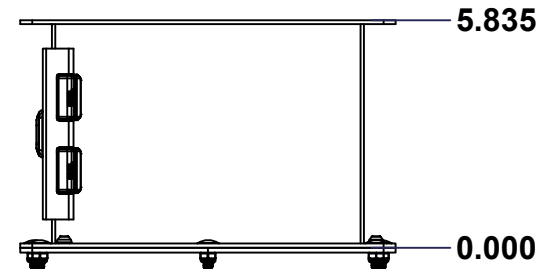
BACK



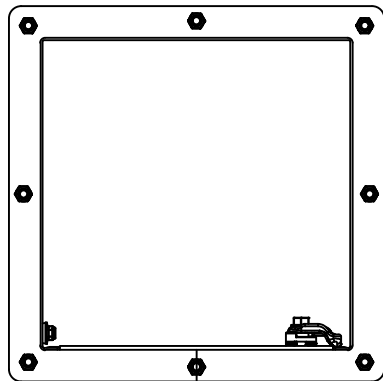
LEFT



FRONT

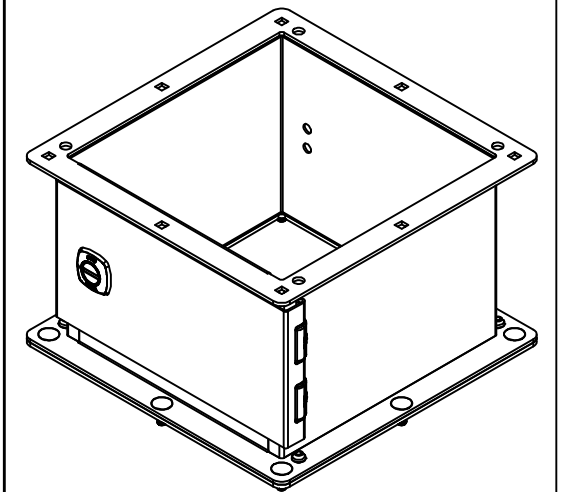


RIGHT



BOTTOM

| No. | Revisions | Date | By/Par |
|-----|-----------|------|--------|
|     |           |      |        |
|     |           |      |        |
|     |           |      |        |
|     |           |      |        |


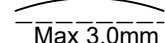
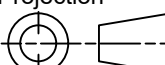


Isometric View



**GRAIN DIRECTION:  
TOP/BOTTOM: HORIZONTAL  
LEFT/RIGHT/BACK/FRONT: VERTICAL**

SEE BILL OF MATERIAL ON LAST PAGE

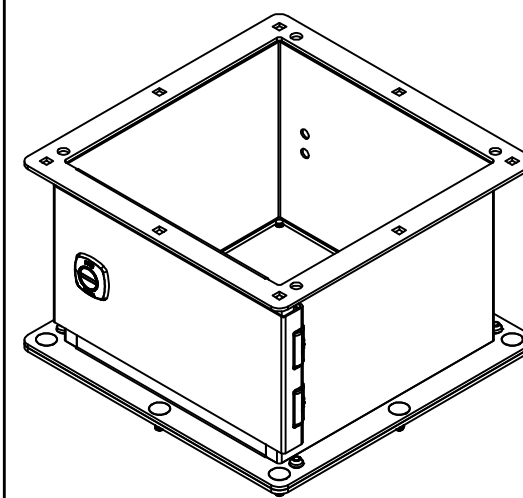
|  |                                   |  |
|--|-----------------------------------|--|
|  Tél: (450) 979-4373<br>Fax: (450) 979-4626<br><a href="http://www.exmweb.com">www.exmweb.com</a> |                                   | Flatness<br>Aplatissement<br><br>Max 3.0mm<br>Projection<br> |
| Customer Client  | Date                              |  |
| Drawn By<br>Dessiné Par  | BoxCad: BoxCad                    | Date 18-Jul-25   |
| Material<br>Matière  | 16 Ga Stainless Steel 304 (1.4mm) |  |
| Color<br>Couleur   | Unpainted                         | Finish<br>Fini Brushed   |
| Description  | Detail Rev.                       |  |
| 1412XSS 6" x 8" x 8" Assembly  |                                   |  |
| Part Number<br>Numéro Pièce  | Rev.                              | 1  |
| 1412XSS8006  | 0                                 | 8  |

This drawing is confidential and must not be reproduced or used without the consent of EXM

Ce dessin est confidentiel et ne doit pas être reproduit ou utilisé sans le consentement de EXM

| NOTE |                          |
|------|--------------------------|
| ITEM | DESCRIPTION              |
| 1    | NEMA 4X Enclosure (IP66) |

| No. | Revisions | Date | By/Par |
|-----|-----------|------|--------|
|     |           |      |        |
|     |           |      |        |
|     |           |      |        |
|     |           |      |        |



Isometric View



Tél: (450) 979-4373  
 Fax: (450) 979-4626  
[www.exmweb.com](http://www.exmweb.com)



|  |                 |
|--|-----------------|
| Customer Client                        | Date            |
| Drawn By / Dessiné Par: BoxCad: BoxCad | Date: 18-Jul-25 |

Material / Matière: 16 Ga Stainless Steel 304 (1.4mm)

|                            |                        |
|----------------------------|------------------------|
| Color / Couleur: Unpainted | Finish / Fini: Brushed |
|----------------------------|------------------------|

|  |             |
|--|-------------|
| Description: 1412XSS 6" x 8" x 8" Assembly | Detail Rev. |
|--|-------------|

|  |               |       |
|--|---------------|-------|
| Part Number / Numéro Pièce: <b>1412XSS8006</b> | Rev. <b>0</b> | 2 / 8 |
|--|---------------|-------|

| Qty | Part Number  | Rev | Description   |
|-----|--------------|-----|---|
| 8   | STK-Q-00266  | 0   | M6 x 16mm Stainless Steel 316 Carriage Bolt                                   |
| 1   | STK-G-01630  | 1   | 1412 Pull Through Wireway Gasket  |
| 1   | 1412XSS8006C | 0   | 1412XSS 6" x 8" Cover   |
| 1   | 1412XSS8006B | 0   | 1412XSS 6" x 8" x 8" Body   |
| 2   | STK-A-08126  | 0   | M5 Stainless Steel 316 Nylon Insert Lock Nut with Incorporated Sealing Washer |
| 8   | STK-Q-07225  | 0   | M6 Stainless Steel Nylon Insert Lock Nut                                      |

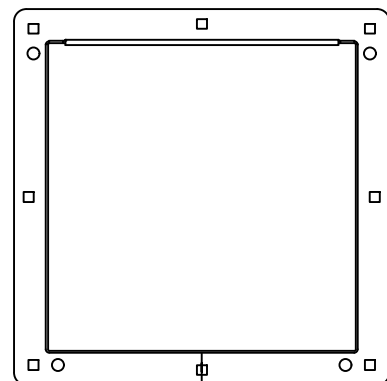
Parts List

| PACKING               |     |  |
|-----------------------|-----|--|
| ITEM                  | QTY | DESCRIPTION                            |
| Cardboard sleeve      | 2   | Top and Bottom                         |
| Plastic strap - Black | 2   | To Squeeze 2 cardboard sleeve together |
| Packaging label       | 3   | White label with PN                    |

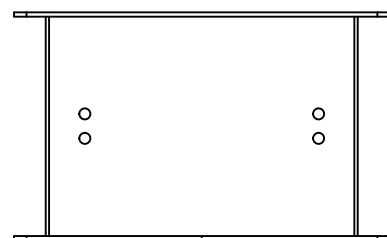


This drawing is confidential and must not be reproduced or used without the consent of EXM

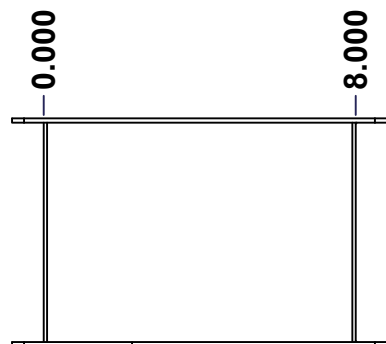
Ce dessin est confidentiel et ne doit pas être reproduit ou utilisé sans le consentement de EXM



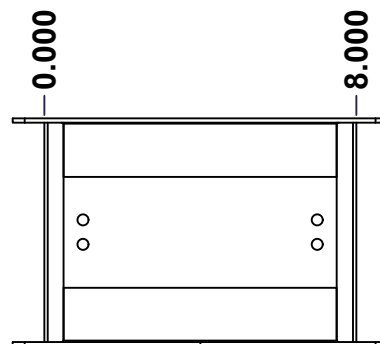
TOP



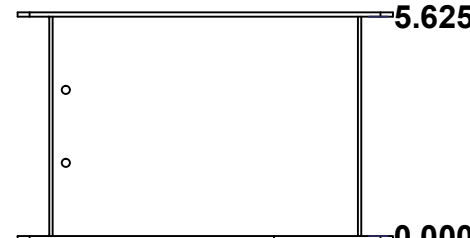
BACK



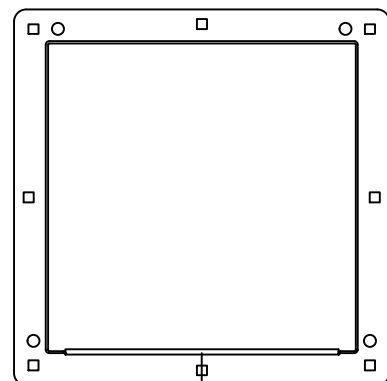
LEFT



FRONT

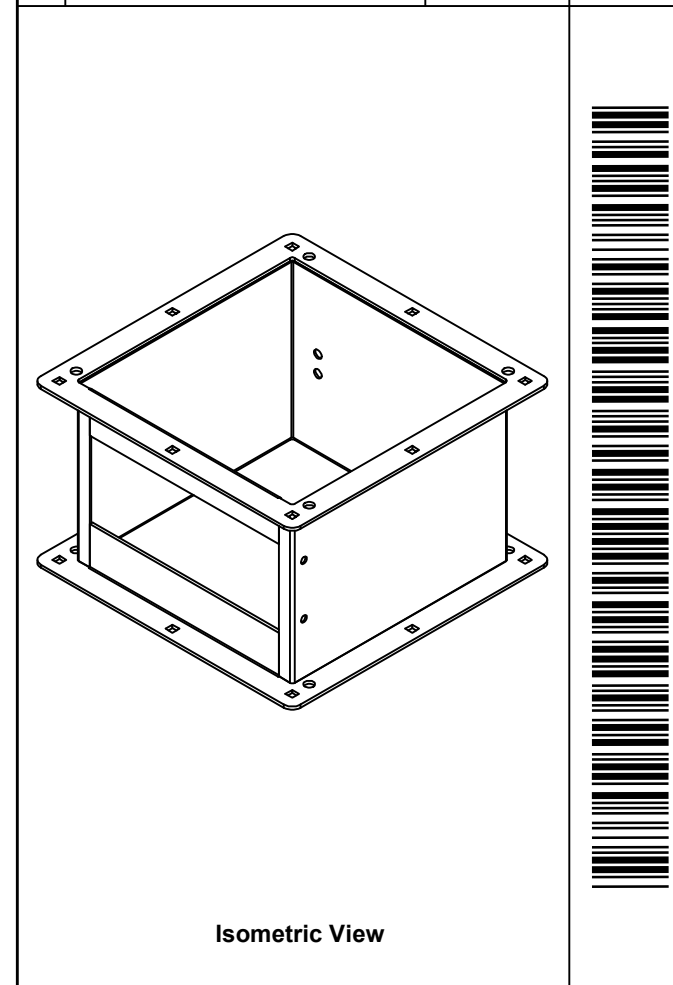


RIGHT


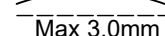
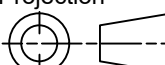


BOTTOM

| No. | Revisions | Date | By/Par |
|-----|-----------|------|--------|
|     |           |      |        |
|     |           |      |        |
|     |           |      |        |
|     |           |      |        |



Isometric View

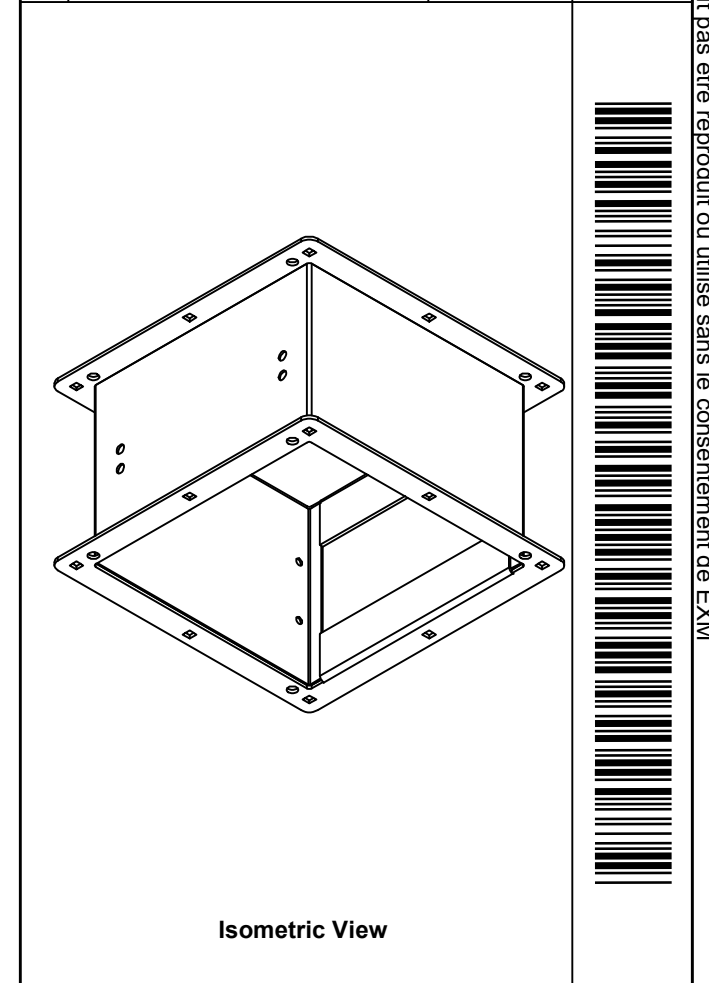
|  |                                   |  |
|--|-----------------------------------|--|
|  Tél: (450) 979-4373<br>Fax: (450) 979-4626<br><a href="http://www.exmweb.com">www.exmweb.com</a> |                                   | Flatness<br>Aplatissement<br><br>Max 3.0mm<br>Projection<br> |
| Customer Client  | Date                              |  |
| Drawn By<br>Dessiné Par  | BoxCad: BoxCad                    | Date 18-Jul-25   |
| Material<br>Matière  | 16 Ga Stainless Steel 304 (1.4mm) |  |
| Color<br>Couleur   | Unpainted                         | Finish<br>Fini Brushed   |
| Description  | Detail Rev.                       |  |
| 1412XSS 6" x 8" x 8" Body  |                                   |  |
| Part Number<br>Numéro Pièce  | Rev.                              | 4  |
| 1412XSS8006B   | 0                                 | 8  |


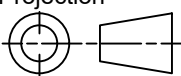
SEE BILL OF MATERIAL ON LAST PAGE

This drawing is confidential and must not be reproduced or used without the consent of EXM

Ce dessin est confidentiel et ne doit pas être reproduit ou utilisé sans le consentement de EXM

| No. | Revisions | Date | By/Par |
|-----|-----------|------|--------|
|     |           |      |        |
|     |           |      |        |
|     |           |      |        |
|     |           |      |        |
|     |           |      |        |

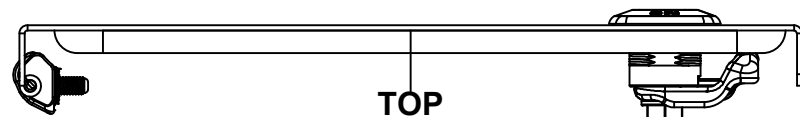


|  |                        |   |
|--|------------------------|---|
|  Tél: (450) 979-4373<br>Fax: (450) 979-4626<br><a href="http://www.exmweb.com">www.exmweb.com</a> |                        | Flatness<br>Aplatissement<br>Max 3.0mm  |
| Customer Client  |                        | Projection<br> |
| Drawn By / Dessiné Par: BoxCad: BoxCad   |                        | Date: 18-Jul-25   |
| Material / Matière: 16 Ga Stainless Steel 304 (1.4mm)  |                        |   |
| Color / Couleur: Unpainted   | Finish / Fini: Brushed |   |
| Description: 1412XSS 6" x 8" x 8" Body   |                        | Detail Rev.   |
| Part Number / Numéro Pièce: <b>1412XSS8006B</b>  |                        | Rev. 5<br><b>0</b> / 8  |

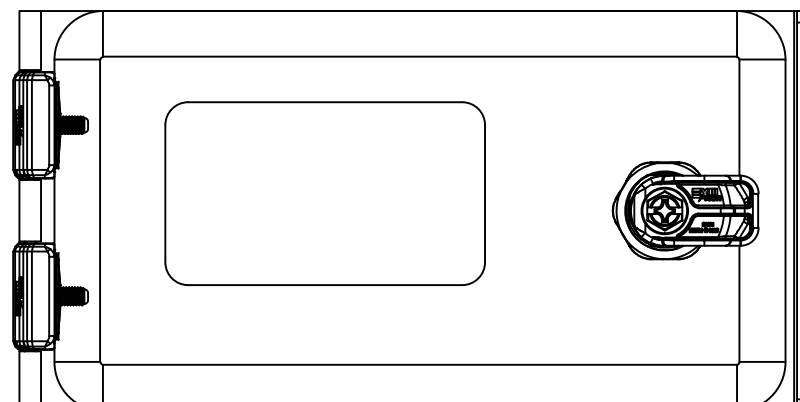
| Qty        | Part Number     | Rev | Description                    |
|------------|-----------------|-----|--------------------------------|
| 2          | 1412XSS8006BC-P | 0   | 1412XSS8" x 8" Connector Part  |
| 1          | 1412XSS8006B-P  | 0   | 1412XSS 6" x 8" x 8" Body Part |
| Parts List |                 |     |                                |

This drawing is confidential and must not be reproduced or used without the consent of EXM

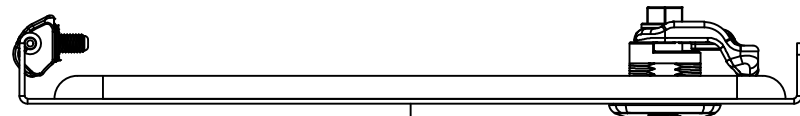
Ce dessin est confidentiel et ne doit pas être reproduit ou utilisé sans le consentement de EXM



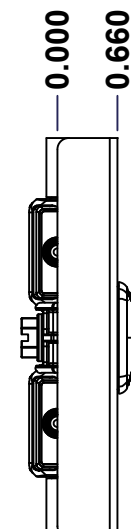
TOP



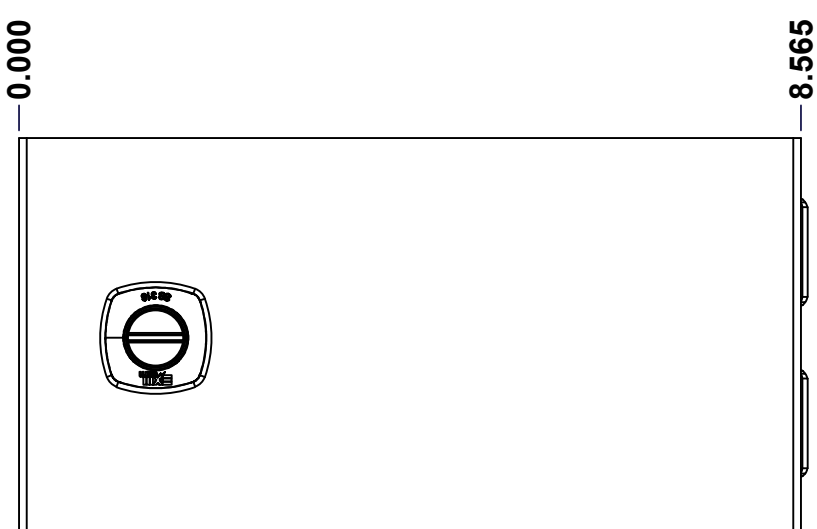
BACK



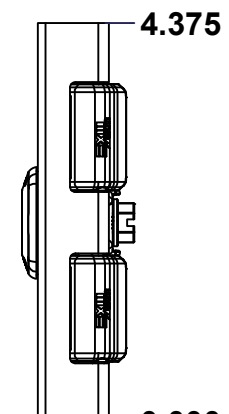
BOTTOM



LEFT

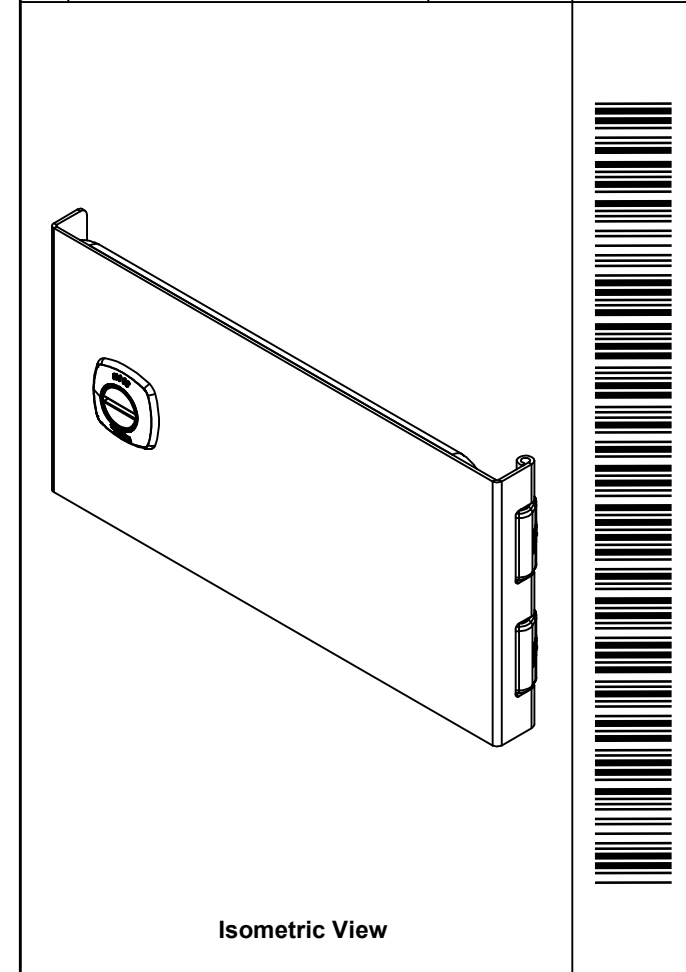


FRONT


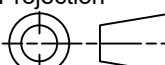


RIGHT

| No. | Revisions | Date | By/Par |
|-----|-----------|------|--------|
|     |           |      |        |
|     |           |      |        |
|     |           |      |        |
|     |           |      |        |



Isometric View

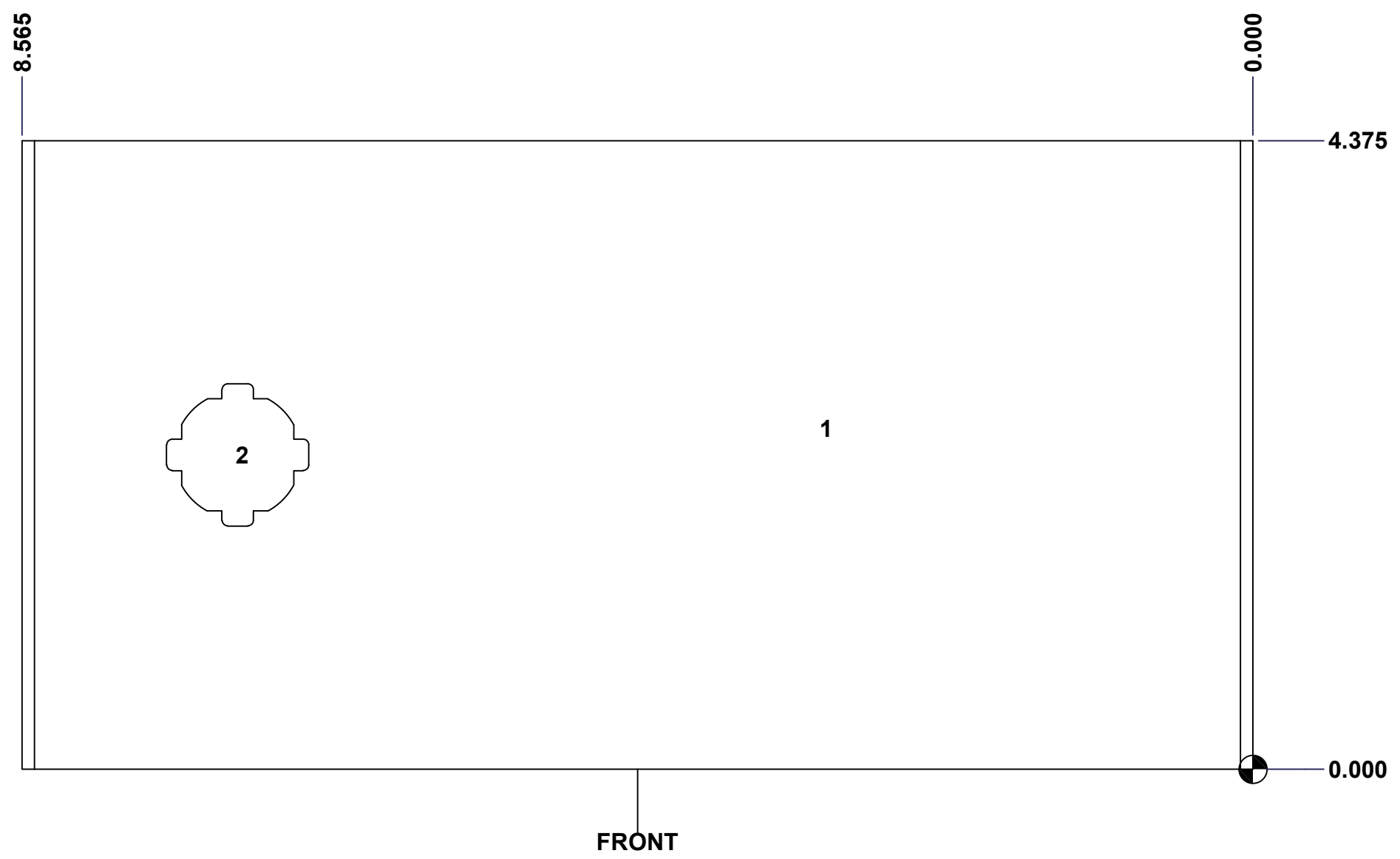
|  |                                   |   |
|--|-----------------------------------|---|
|  Tél: (450) 979-4373<br>Fax: (450) 979-4626<br><a href="http://www.exmweb.com">www.exmweb.com</a> |                                   | Flatness<br>Aplatissement<br>Max 3.0mm<br>Projection<br> |
| Customer Client  | Date                              |   |
| Drawn By<br>Dessiné Par  | BoxCad: BoxCad                    | Date 18-Jul-25  |
| Material<br>Matière  | 16 Ga Stainless Steel 304 (1.4mm) |   |
| Color<br>Couleur   | Unpainted                         | Finish<br>Fini Brushed  |
| Description  | Detail Rev.                       |   |
| 1412XSS 6" x 8" Cover  |                                   |   |
| Part Number<br>Numéro Pièce  | Rev.                              | 6   |
| 1412XSS8006C   | 0                                 | 8   |

SEE BILL OF MATERIAL ON LAST PAGE

This drawing is confidential and must not be reproduced or used without the consent of EXM

Ce dessin est confidentiel et ne doit pas être reproduit ou utilisé sans le consentement de EXM

| <b>STANDARD FEATURES ARE NOT LISTED IN THIS HOLE TABLE</b> |       |       |                               |
|--|-------|-------|-------------------------------|
| <b>HOLE TABLE - FRONT VIEW (CUSTOM FEATURE ONLY)</b>       |       |       |                               |
| CUT-OUT  | XDIM  | YDIM  | DESCRIPTION                   |
| 1  | 3.000 | 2.375 | LABEL_EXM                     |
| 2  | 7.065 | 2.188 | LOCK 880 SCQ4CH-SLSS @ 180.0° |

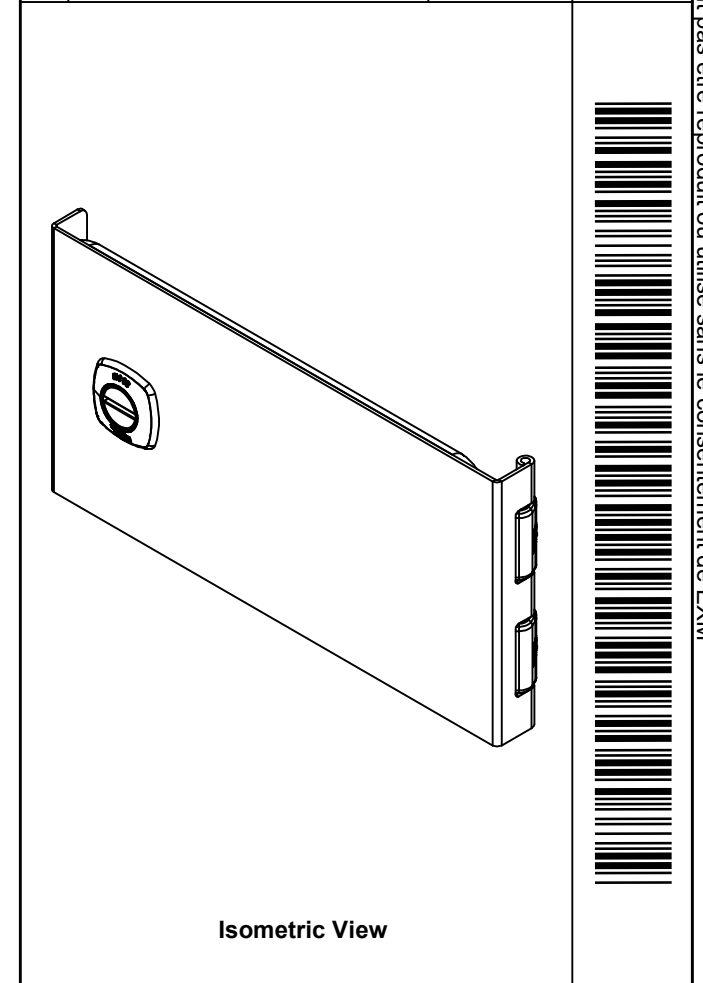



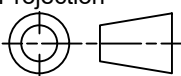
|  |                             |          |   |
|--|-----------------------------|----------|---|
|  | Description                 | Status   |   |
|  | 1412XSS 6" x 8" x 8" Cover  | (NULL)   |   |
|  | Part Number<br>Numéro Pièce | Rev.     | 7 |
|  | <b>1412XSS8006C</b>         | <b>0</b> | 8 |

This drawing is confidential and must not be reproduced or used without the consent of EXM

Ce dessin est confidentiel et ne doit pas être reproduit ou utilisé sans le consentement de EXM

| No. | Revisions | Date | By/Par |
|-----|-----------|------|--------|
|     |           |      |        |
|     |           |      |        |
|     |           |      |        |
|     |           |      |        |
|     |           |      |        |



|  |                                   |   |
|--|-----------------------------------|---|
|  Tél: (450) 979-4373<br>Fax: (450) 979-4626<br><a href="http://www.exmweb.com">www.exmweb.com</a> |                                   | Flatness<br>Aplatissement<br>Max 3.0mm<br>Projection<br> |
| Customer Client  | Date                              |   |
| Drawn By<br>Dessiné Par  | BoxCad: BoxCad                    | Date 18-Jul-25  |
| Material<br>Matière  | 16 Ga Stainless Steel 304 (1.4mm) |   |
| Color<br>Couleur   | Unpainted                         | Finish<br>Fini<br>Brushed   |
| Description  |                                   | Detail Rev.   |
| 1412XSS 6" x 8" Cover  |                                   |   |
| Part Number<br>Numéro Pièce  | Rev.                              | 8   |
| <b>1412XSS8006C</b>  | <b>0</b>                          | <b>8</b>  |

| Qty        | Part Number     | Rev | Description                            |
|------------|-----------------|-----|--|
| 1          | STK-S-00100     | 0   | 3.5" x 2" Silver Milar Flexcon Sticker |
| 1          | 880 SCQ4CH-SLSS | 0   | 5412 CHSS 1/4 Turn Lock                |
| 1          | 1412XSS8006G    | 0   | 1412XSS 6" x 8" Cover Gasket Part      |
| 1          | 1412XSS8006C-P  | 0   | 1412XSS 6" x 8" x 8" Cover Part        |
| 2          | STK-A-33033     | 4   | 5412 ESMCH Hinge                       |
| Parts List |                 |     |  |