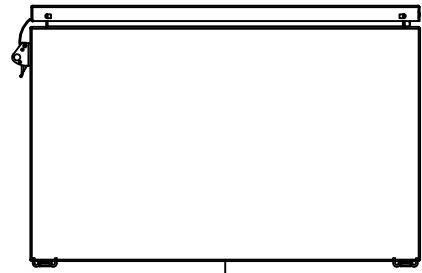
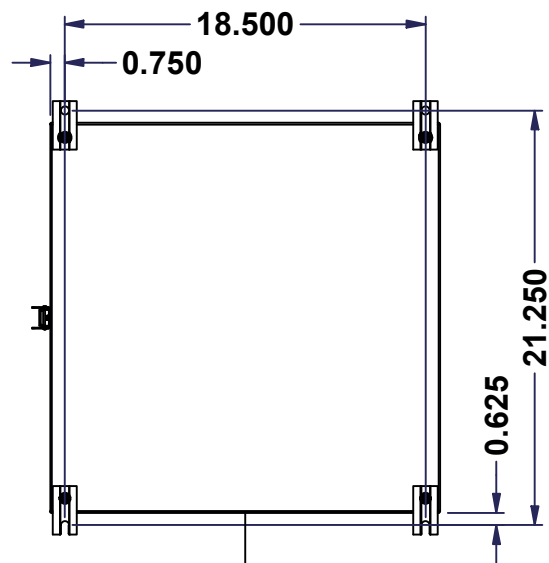


This drawing is confidential and must not be reproduced or used without the consent of EXM

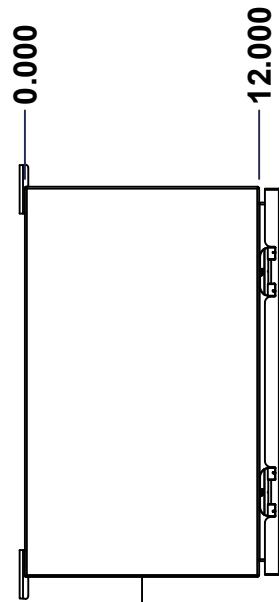
Ce dessin est confidentiel et ne doit pas être reproduit ou utilisé sans le consentement de EXM



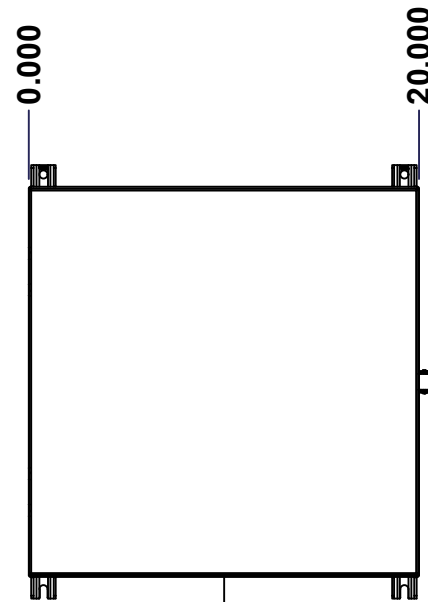
TOP



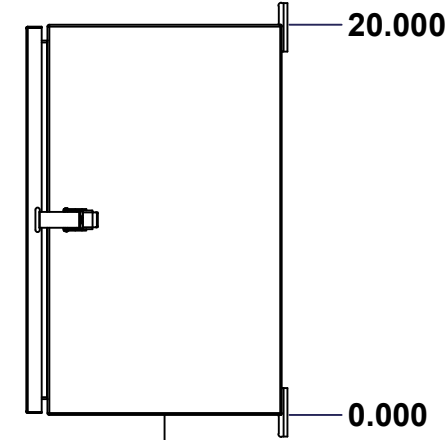
BACK



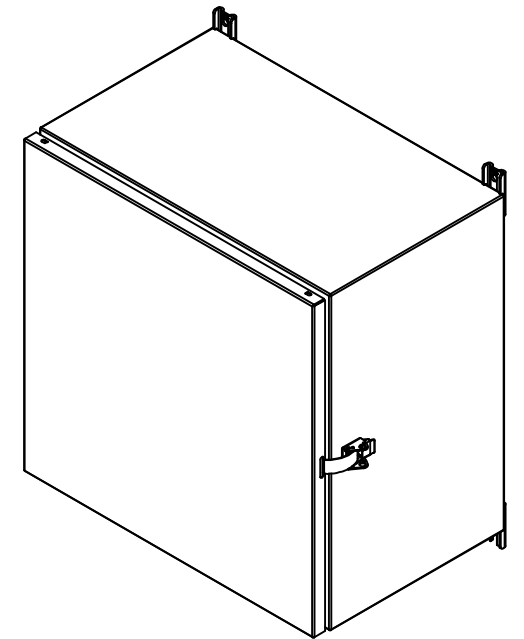
LEFT



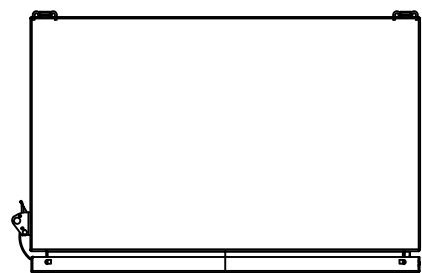
FRONT



RIGHT


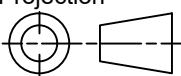


Isometric View



BOTTOM

| No. | Revisions | Date | By/Par |
|-----|-----------|------|--------|
|     |           |      |        |
|     |           |      |        |
|     |           |      |        |
|     |           |      |        |

|  |   |   |
|--|---|---|
|  Tél: (450) 979-4373<br>Fax: (450) 979-4626<br><a href="http://www.exmweb.com">www.exmweb.com</a> |   | Flatness<br>Aplatissement<br>Max 3.0mm<br>Projection<br> |
| Customer Client  | Date                                      |   |
| Drawn By<br>Dessiné Par  | BoxCad: BoxCad                            | Date 11-Dec-24  |
| Material<br>Matière  | 16 Ga Cold Rolled A1008 CS Type B (1.4mm) |   |
| Color<br>Couleur   | Asa-61 Grey                               | Finish<br>Fini Smooth   |
| Description  | Detail Rev.                               |   |
| 5300ES 20" x 20" x 12" Assembly  |   |   |
| Part Number<br>Numéro Pièce  | Rev. 0                                    | 1 / 16  |

SEE BILL OF MATERIAL ON LAST PAGE

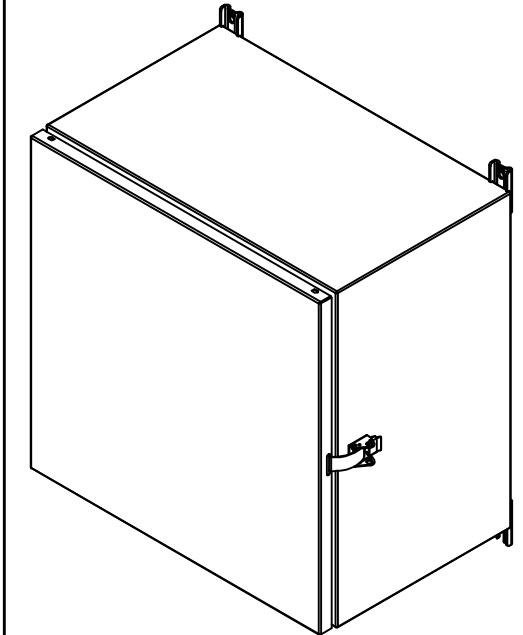
**5300ES202012TH**

This drawing is confidential and must not be reproduced or used without the consent of EXM

Ce dessin est confidentiel et ne doit pas être reproduit ou utilisé sans le consentement de EXM

| NOTE |   |
|------|---|
| ITEM | DESCRIPTION                                     |
| 1    | NEMA 3, 3R Enclosure (IP64)                     |
| 2    | C/W Standard ground studs on box and cover      |
| 3    | C/W Standard door stiffener                     |
| 4    | C/W Standard inner panel (Included)             |
| 5    | C/W Standard inner panel mounting studs         |
| 6    | C/W 885 ESMF3_OPEN Sold separately (Installed)  |
| 7    | C/W 885 ESMF3_CLOSE Sold separately (Installed) |
| 8    | C/W R5 Insulation (Installed aluminum visible)  |

| No. | Revisions | Date | By/Par |
|-----|-----------|------|--------|
|     |           |      |        |
|     |           |      |        |
|     |           |      |        |
|     |           |      |        |
|     |           |      |        |
|     |           |      |        |



Isometric View

**EXM**  
www.exm.com

Tél: (450) 979-4373  
Fax: (450) 979-4626  
[www.exmweb.com](http://www.exmweb.com)

Flatness  
Aplatissement  
Max 3.0mm

Projection

|   |                |
|---|----------------|
| Customer Client   | Date           |
| Drawn By<br>Dessiné Par BoxCad: BoxCad                        | Date 11-Dec-24 |
| Material<br>Matière 16 Ga Cold Rolled A1008 CS Type B (1.4mm) |                |

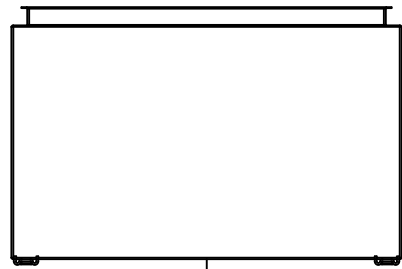
|   |                       |
|---|-----------------------|
| Color<br>Couleur Asa-61 Grey                      | Finish<br>Fini Smooth |
| Description<br>5300ES 20" x 20" x 12" Assembly    | Detail Rev.           |
| Part Number<br>Numéro Pièce <b>5300ES202012TH</b> | Rev. <b>0</b>         |

| PACKING               |     |  |
|-----------------------|-----|--|
| ITEM                  | QTY | DESCRIPTION                                |
| Cardboard sleeve      | 2   | Top and Bottom                             |
| Cardboard strip       | 2   | Between back of enclosure and inner panel  |
| Plastic bag           | 1   | To protect cover surface and inside gasket |
| Plastic strap - Black | 2   | To Squeeze the 2 cardboard sleeve together |
| Packaging label       | 1   | White label with product number            |

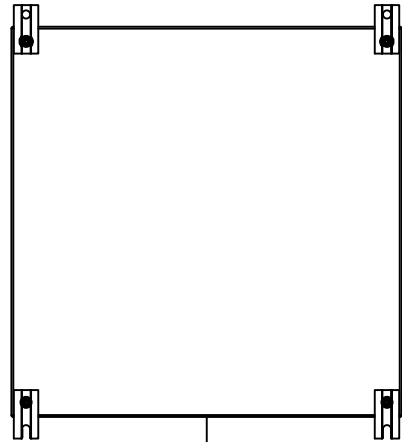
| Qty        | Part Number     | Rev | Description                                |
|------------|-----------------|-----|--|
| 4          | STK-Q-00600     | 2   | M12 to M8 Adaptor                          |
| 1          | 881 SP2020G     | 0   | 881 SP - Inner Panel                       |
| 1          | STK-K-03000     | 1   | 5100 ES Accessory Kit                      |
| 1          | STK-K-11910     | 3   | Stainless Steel Draw Pull Latch (Long)     |
| 1          | 5300ES202012THC | 0   | 5300ES 20" x 20" Cover                     |
| 1          | 5300ES202012THB | 0   | 5300ES 20" x 20" x 12" Body                |
| 2          | STK-Q-04050-08  | 0   | M6 x 8mm Hexagon Socket Head Machine Screw |
| Parts List |                 |     |  |

This drawing is confidential and must not be reproduced or used without the consent of EXM

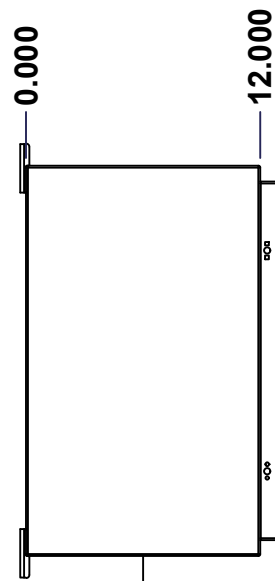
Ce dessin est confidentiel et ne doit pas être reproduit ou utilisé sans le consentement de EXM



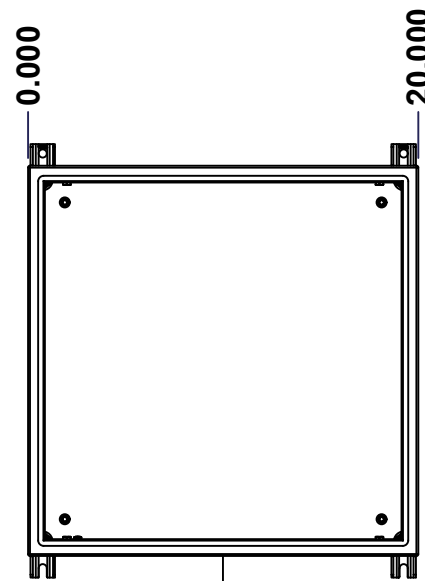
TOP



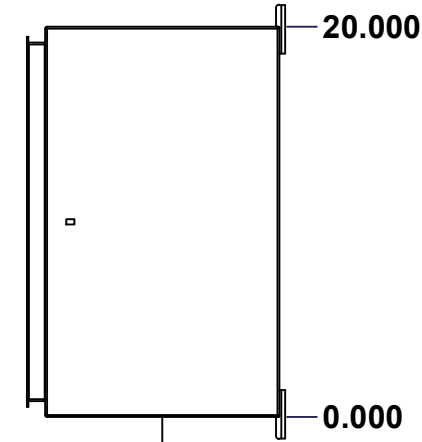
BACK



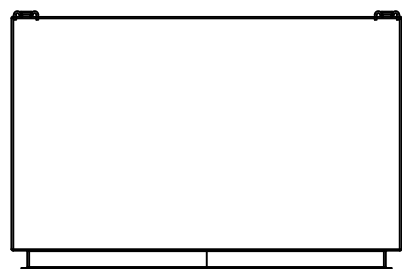
LEFT



FRONT

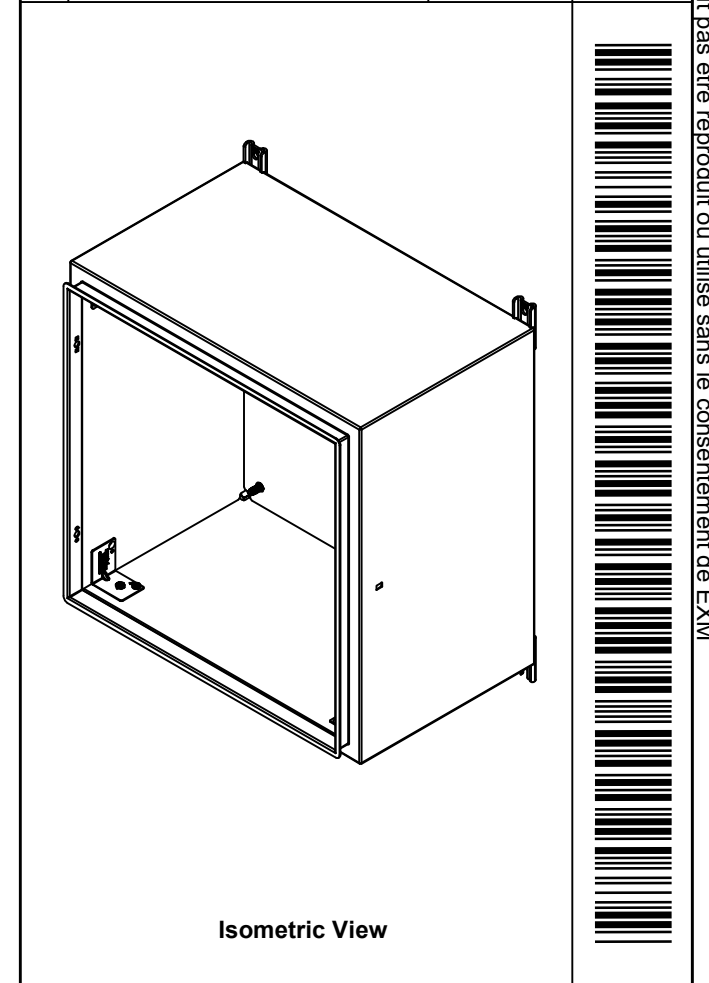



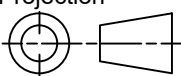
RIGHT



BOTTOM

| No. | Revisions | Date | By/Par |
|-----|-----------|------|--------|
|     |           |      |        |
|     |           |      |        |
|     |           |      |        |
|     |           |      |        |



|  |   |   |
|--|---|---|
|  Tél: (450) 979-4373<br>Fax: (450) 979-4626<br><a href="http://www.exmweb.com">www.exmweb.com</a> |   | Flatness<br>Aplatissement<br>Max 3.0mm<br>Projection<br> |
| Customer Client  | Date                                      |   |
| Drawn By<br>Dessiné Par  | BoxCad: BoxCad                            | Date 11-Dec-24  |
| Material<br>Matière  | 16 Ga Cold Rolled A1008 CS Type B (1.4mm) |   |
| Color<br>Couleur   | Asa-61 Grey                               | Finish<br>Fini Smooth   |
| Description  | Detail Rev.                               |   |
| 5300ES 20" x 20" x 12" Body  |   |   |
| Part Number<br>Numéro Pièce  | Rev. 0                                    | 3 / 16  |

SEE BILL OF MATERIAL ON LAST PAGE

**5300ES202012THB**

This drawing is confidential and must not be reproduced or used without the consent of EXM

Ce dessin est confidentiel et ne doit pas être reproduit ou utilisé sans le consentement de EXM

| <b>STANDARD FEATURES ARE NOT LISTED IN THIS HOLE TABLE</b> |        |        |                                |
|--|--------|--------|--------------------------------|
| <b>HOLE TABLE - TOP VIEW (CUSTOM FEATURE ONLY)</b>         |        |        |                                |
| CUT-OUT  | XDIM   | YDIM   | DESCRIPTION                    |
| 1  | 2.000  | 10.500 | INSUL. STUD M6 x 18mm (Inside) |
| 2  | 18.000 | 10.500 | INSUL. STUD M6 x 18mm (Inside) |

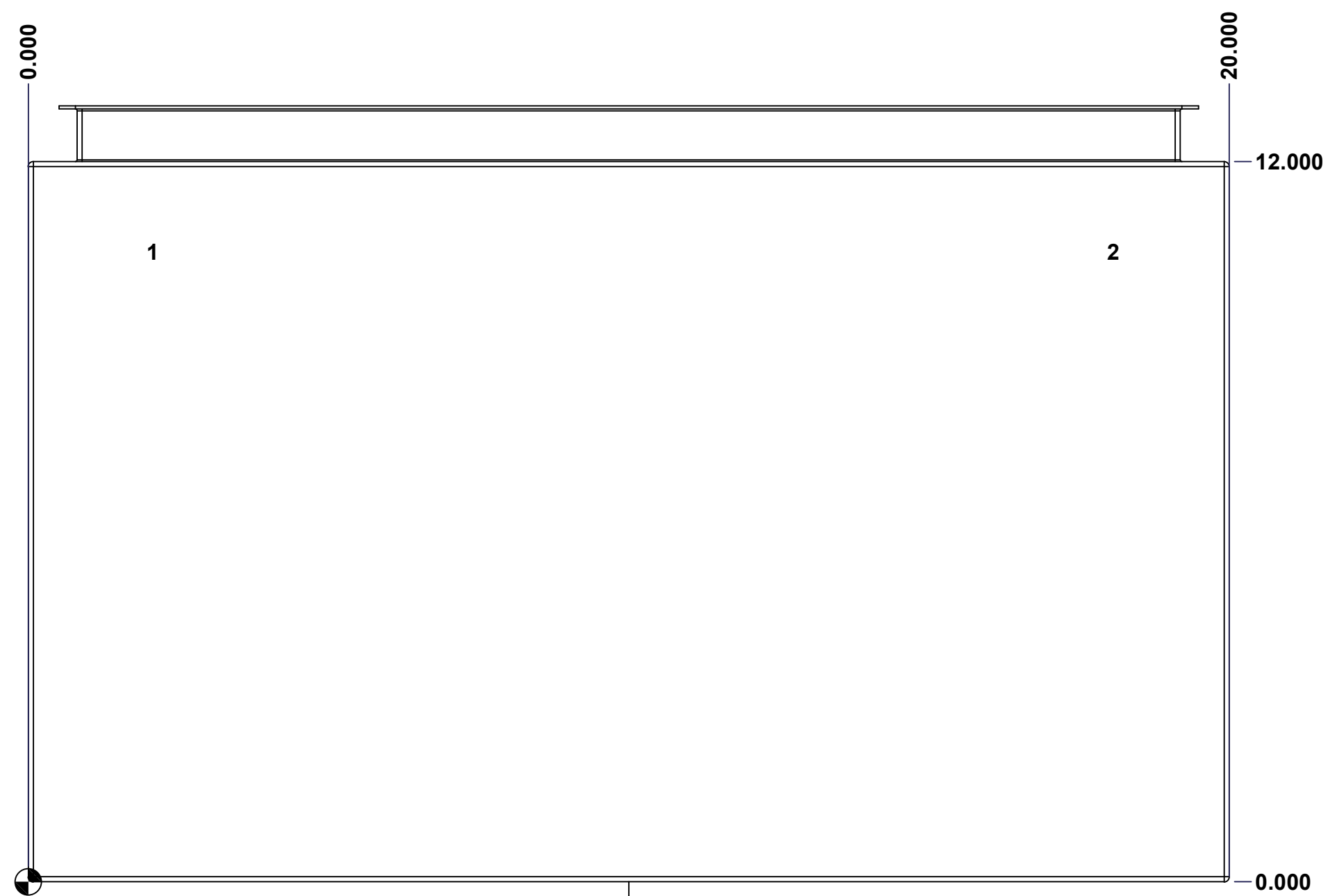


|  |                             |          |
|--|-----------------------------|----------|
|  | Description                 | Status   |
|  | 5300ES 20" x 20" x 12" Body | (NULL)   |
|  | Part Number<br>Numéro Pièce | Rev.     |
|  | <b>5300ES202012THB</b>      | <b>0</b> |
|  |                             | 4        |
|  |                             | 16       |

This drawing is confidential and must not be reproduced or used without the consent of EXM

Ce dessin est confidentiel et ne doit pas être reproduit ou utilisé sans le consentement de EXM

| <b>STANDARD FEATURES ARE NOT LISTED IN THIS HOLE TABLE</b> |        |        |                                |
|--|--------|--------|--------------------------------|
| <b>HOLE TABLE - BOTTOM VIEW (CUSTOM FEATURE ONLY)</b>      |        |        |                                |
| CUT-OUT  | XDIM   | YDIM   | DESCRIPTION                    |
| 1  | 2.000  | 10.500 | INSUL. STUD M6 x 18mm (Inside) |
| 2  | 18.000 | 10.500 | INSUL. STUD M6 x 18mm (Inside) |



**BOTTOM**

|  |                             |          |    |
|--|-----------------------------|----------|----|
|  | Description                 | Status   |    |
|  | 5300ES 20" x 20" x 12" Body | (NULL)   |    |
|  | Part Number<br>Numéro Pièce | Rev.     | 5  |
|  | <b>5300ES202012THB</b>      | <b>0</b> | 16 |

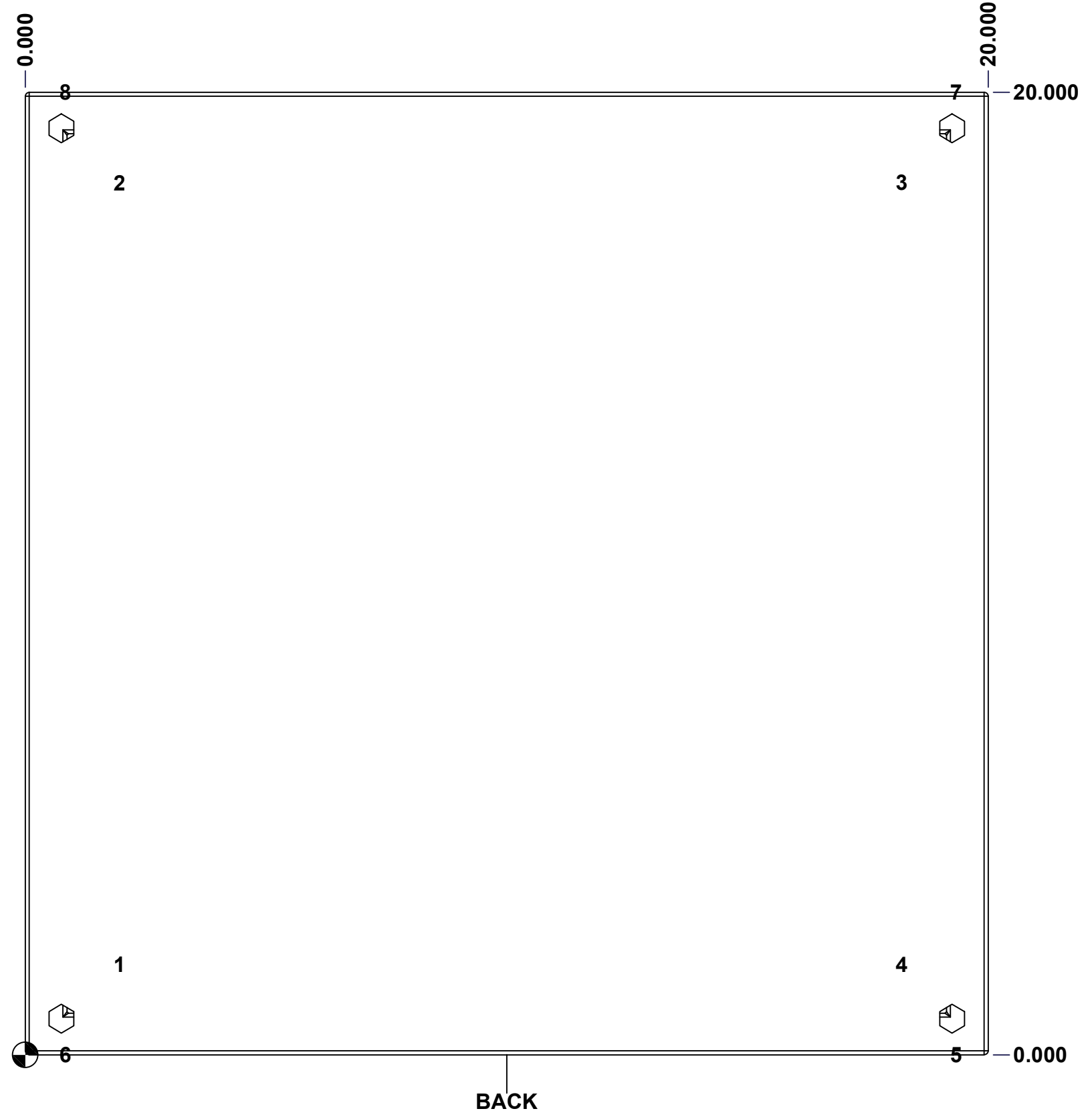
This drawing is confidential and must not be reproduced or used without the consent of EXM

Ce dessin est confidentiel et ne doit pas être reproduit ou utilisé sans le consentement de EXM

**STANDARD FEATURES ARE NOT LISTED IN THIS HOLE TABLE**

**HOLE TABLE - BACK VIEW (CUSTOM FEATURE ONLY)**

| CUT-OUT | XDIM   | YDIM   | DESCRIPTION                |
|---------|--------|--------|----------------------------|
| 1       | 1.875  | 1.875  | IP STUD M8 x 35mm (Inside) |
| 2       | 1.875  | 18.125 | IP STUD M8 x 35mm (Inside) |
| 3       | 18.125 | 18.125 | IP STUD M8 x 35mm (Inside) |
| 4       | 18.125 | 1.875  | IP STUD M8 x 35mm (Inside) |
| -----   |        |        |                            |
| 5       | 19.250 | 0.000  | FOOT 885 ESMF3_OPEN        |
| 6       | 0.750  | 0.000  | FOOT 885 ESMF3_OPEN        |
| 7       | 19.250 | 20.000 | FOOT 885 ESMF3_CLOSE       |
| 8       | 0.750  | 20.000 | FOOT 885 ESMF3_CLOSE       |

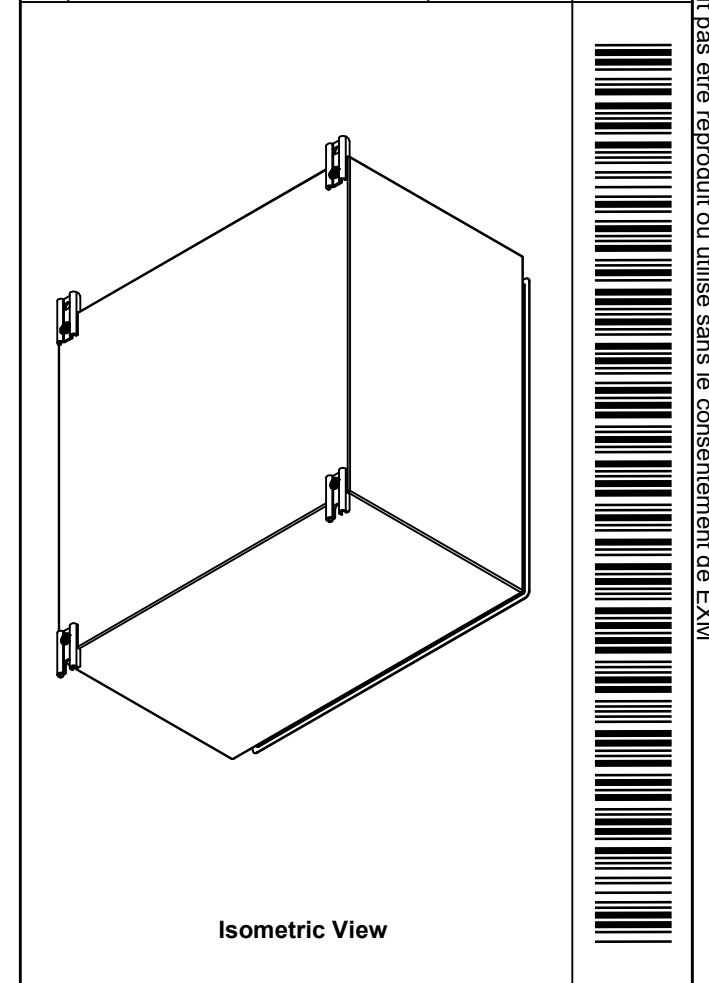


|   |                             |        |
|---|-----------------------------|--------|
|   | Description                 | Status |
|   | 5300ES 20" x 20" x 12" Body | (NULL) |
| Part Number<br>Numéro Pièce<br><b>5300ES202012THB</b> | Rev.                        | 6      |
|   | <b>0</b>                    | 16     |

This drawing is confidential and must not be reproduced or used without the consent of EXM

Ce dessin est confidentiel et ne doit pas être reproduit ou utilisé sans le consentement de EXM

| No. | Revisions | Date | By/Par |
|-----|-----------|------|--------|
|     |           |      |        |
|     |           |      |        |
|     |           |      |        |
|     |           |      |        |
|     |           |      |        |

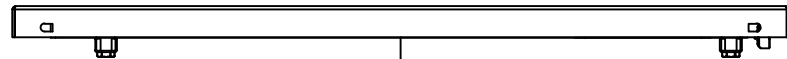


| 1          | 885 ESMF3           | 0   | 885 ESMF3 Mounting Foot Kit            |
|------------|---------------------|-----|--|
| 4          | RIVET_NUT_M10_FH_CE | 0   | Rivet Nut M10 (Low Profile Close End)  |
| 1          | STK-K-70554         | 3   | 5412 ESTH Accessory Kit                |
| 1          | 5300ES202012THI-RS  | 0   | 5300ES 20" x 20" Right Insulation      |
| 1          | 5300ES202012THI-LS  | 0   | 5300ES 20" x 20" Left Insulation       |
| 1          | 5300ES202012THI-BT  | 0   | 5300ES 20" x 20"Bottom Insulation      |
| 1          | 5300ES202012THI-TP  | 0   | 5300ES 20" x 20"Top Insulation         |
| 1          | 5300ES202012THI-B   | 0   | 5300ES 20" x 20" Back Insulation       |
| 4          | STK-Q-16055         | 1   | M6 x 18mm Stud (No Paint Cap Required) |
| 1          | STK-P-02400S        | 0   | Powder Paint (Asa-61 Grey / Smooth)    |
| 4          | STK-Q-16005         | 0   | Stud M8 x 35mm Steel                   |
| 1          | 5300ES202012THB-P   | 0   | 5300ES 20" x 20" x 12" Body Part       |
| Qty        | Part Number         | Rev | Description                            |
| Parts List |                     |     |  |

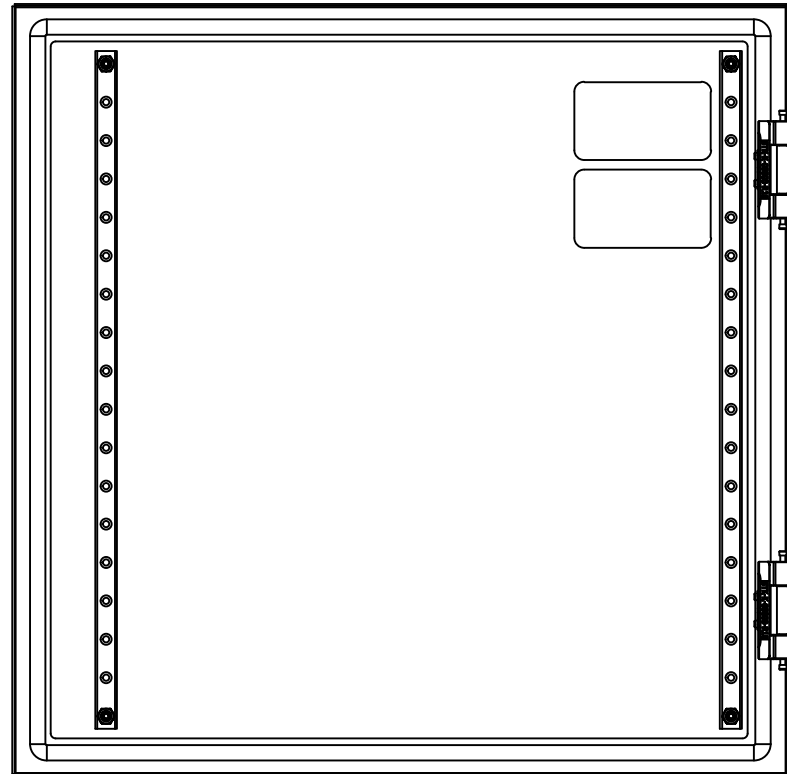
|  |  |
|--|--|
|  | Flatness<br>Aplatissement<br>Max 3.0mm     |
|  | Projection<br>                             |
| Tél: (450) 979-4373<br>Fax: (450) 979-4626<br><a href="http://www.exmweb.com">www.exmweb.com</a> | Customer<br>Client                         |
| Drawn By<br>Dessiné Par BoxCad: BoxCad   | Date<br>11-Dec-24                          |
| Material<br>Matière 16 Ga Cold Rolled A1008 CS Type B (1.4mm)                                    | Color<br>Couleur Asa-61 Grey               |
| Finish<br>Fini Smooth  | Description<br>5300ES 20" x 20" x 12" Body |
| Part Number<br>Numéro Pièce<br><b>5300ES202012THB</b>  | Detail Rev.<br>Rev. 7<br><b>0</b>          |

This drawing is confidential and must not be reproduced or used without the consent of EXM

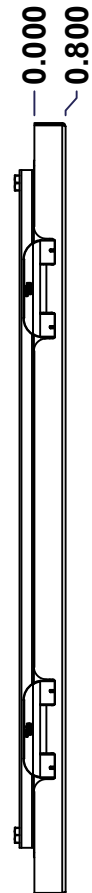
Ce dessin est confidentiel et ne doit pas être reproduit ou utilisé sans le consentement de EXM



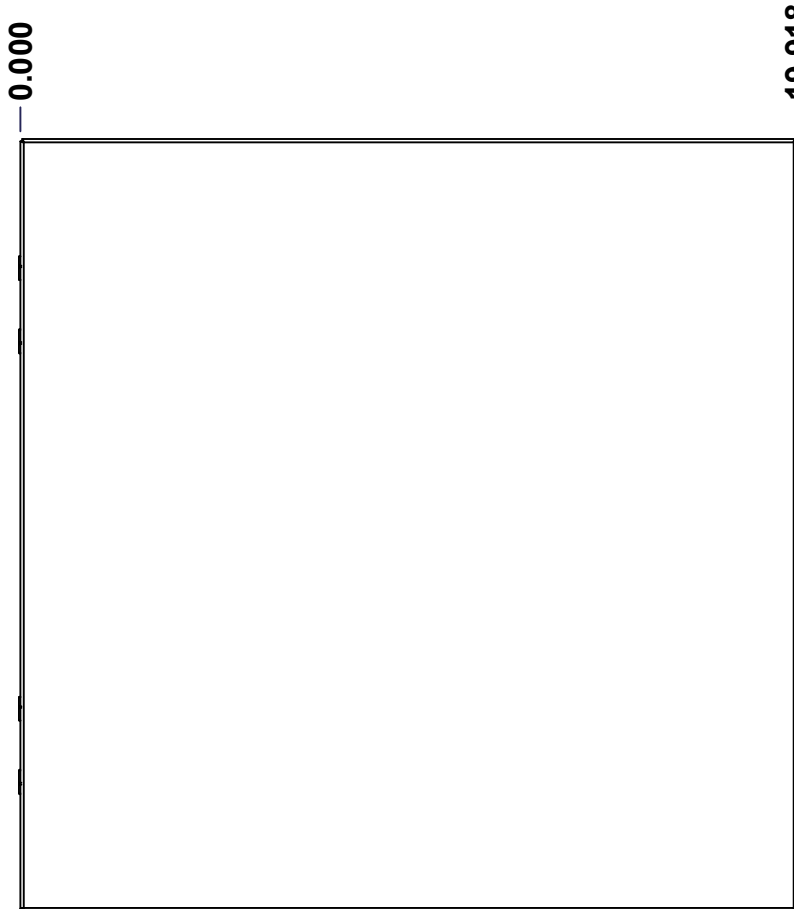
TOP



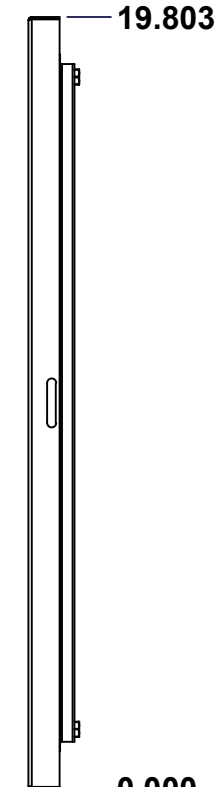
BACK



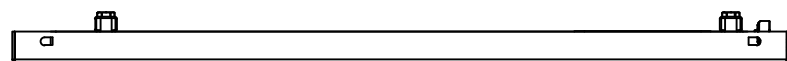
LEFT



FRONT

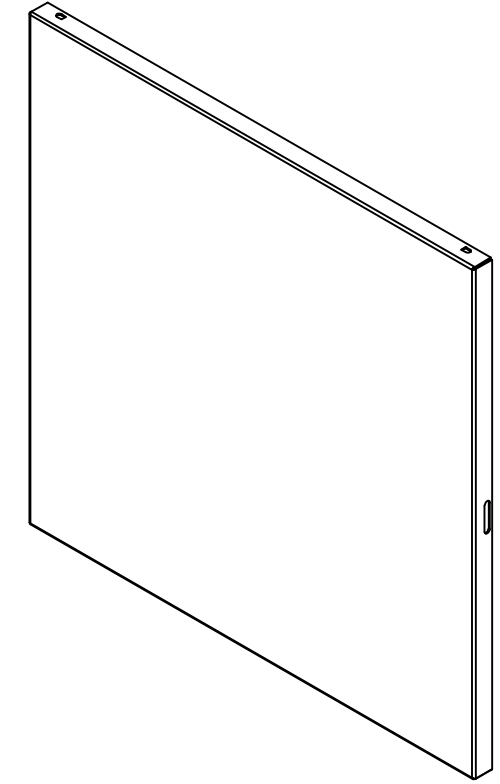


RIGHT



BOTTOM

| No. | Revisions | Date | By/Par |
|-----|-----------|------|--------|
|     |           |      |        |
|     |           |      |        |
|     |           |      |        |
|     |           |      |        |



Isometric View

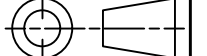


Tél: (450) 979-4373  
 Fax: (450) 979-4626  
[www.exmweb.com](http://www.exmweb.com)

Flatness  
Aplatissement

Max 3.0mm

Projection

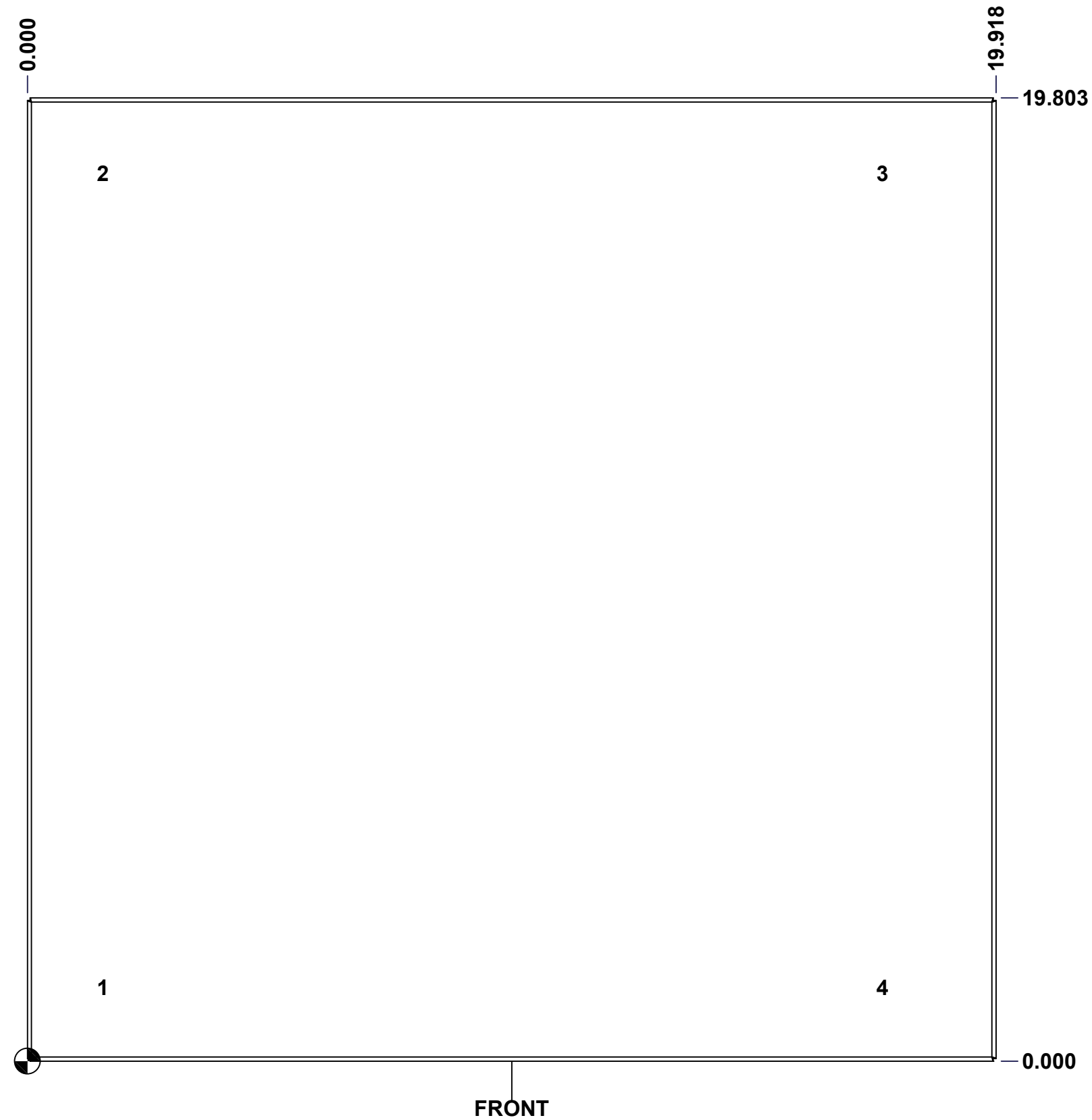


|   |                       |
|---|-----------------------|
| Customer Client   | Date                  |
| Drawn By / Dessiné Par: BoxCad: BoxCad                        | Date: 11-Dec-24       |
| Material / Matière: 16 Ga Cold Rolled A1008 CS Type B (1.4mm) |                       |
| Color / Couleur: Asa-61 Grey                                  | Finish / Fini: Smooth |
| Description: 5300ES 20" x 20" Cover                           | Detail Rev.           |
| Part Number / Numéro Pièce: 5300ES202012THC                   | Rev. 8                |
| SEE BILL OF MATERIAL ON LAST PAGE                             | 0                     |

This drawing is confidential and must not be reproduced or used without the consent of EXM

Ce dessin est confidentiel et ne doit pas être reproduit ou utilisé sans le consentement de EXM

| STANDARD FEATURES ARE NOT LISTED IN THIS HOLE TABLE |        |        |                         |
|---|--------|--------|-------------------------|
| HOLE TABLE - FRONT VIEW (CUSTOM FEATURE ONLY)       |        |        |                         |
| CUT-OUT   | XDIM   | YDIM   | DESCRIPTION             |
| 1   | 1.486  | 1.535  | STUD M6 x 18mm (Inside) |
| 2   | 1.486  | 18.268 | STUD M6 x 18mm (Inside) |
| 3   | 17.517 | 18.268 | STUD M6 x 18mm (Inside) |
| 4   | 17.517 | 1.535  | STUD M6 x 18mm (Inside) |



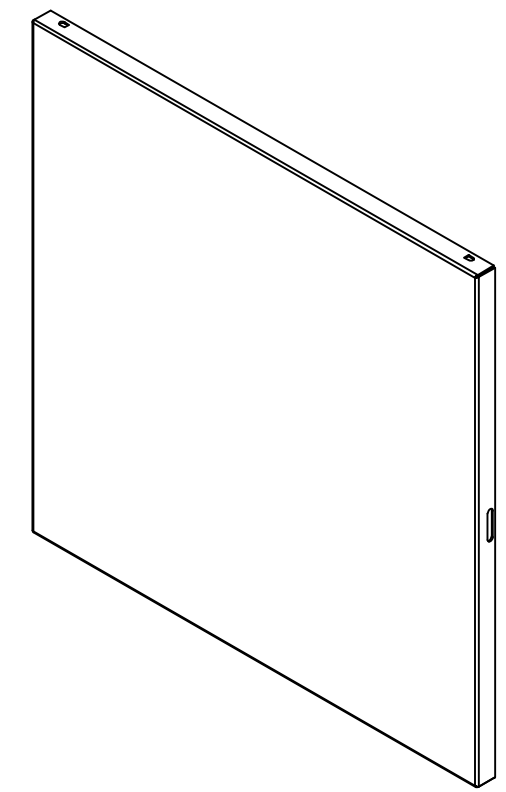
FRONT

|  |                             |              |
|--|-----------------------------|--------------|
|  | Description                 | Status       |
|  | 5300ES 20" x 20" Cover      | (NULL)       |
|  | Part Number<br>Numéro Pièce | Rev.         |
|  | <b>5300ES202012THC</b>      | <b>0</b> / 9 |
|  |                             | 16           |

This drawing is confidential and must not be reproduced or used without the consent of EXM

Ce dessin est confidentiel et ne doit pas être reproduit ou utilisé sans le consentement de EXM

| No. | Revisions | Date | By/Par |
|-----|-----------|------|--------|
|     |           |      |        |
|     |           |      |        |
|     |           |      |        |
|     |           |      |        |
|     |           |      |        |



Isometric View




 Tél: (450) 979-4373  
 Fax: (450) 979-4626  
[www.exmweb.com](http://www.exmweb.com)

Flatness / Aplatissement: Max 3.0mm  
 Projection: 

|   |                 |
|---|-----------------|
| Customer / Client   | Date            |
| Drawn By / Dessiné Par: BoxCad: BoxCad                        | Date: 11-Dec-24 |
| Material / Matière: 16 Ga Cold Rolled A1008 CS Type B (1.4mm) |                 |

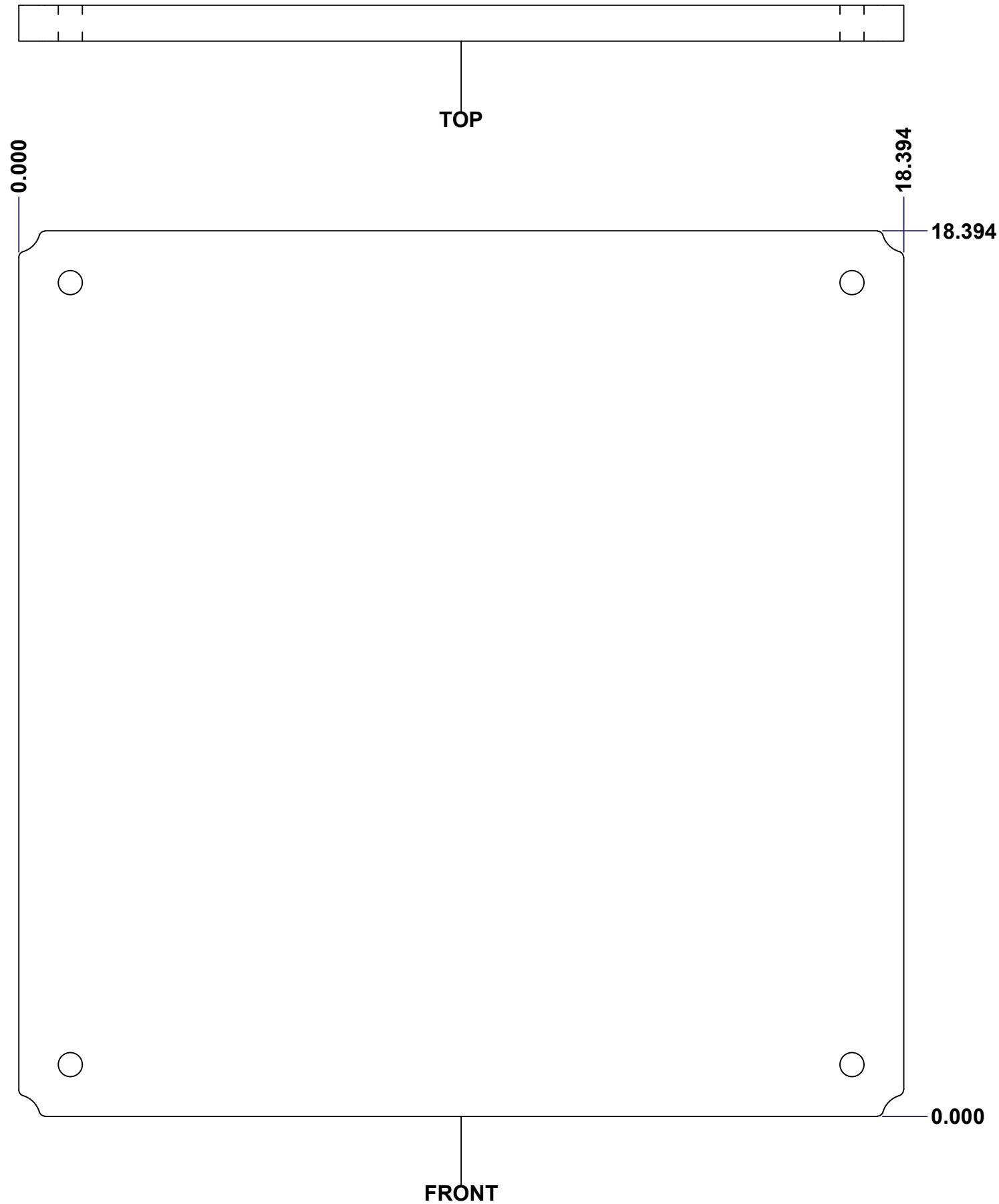
|                                     |                       |
|-------------------------------------|-----------------------|
| Color / Couleur: Asa-61 Grey        | Finish / Fini: Smooth |
| Description: 5300ES 20" x 20" Cover | Detail Rev.           |

|  |        |         |
|--|--------|---------|
| Part Number / Numéro Pièce: <b>5300ES202012THC</b> | Rev. 0 | 10 / 16 |
|--|--------|---------|

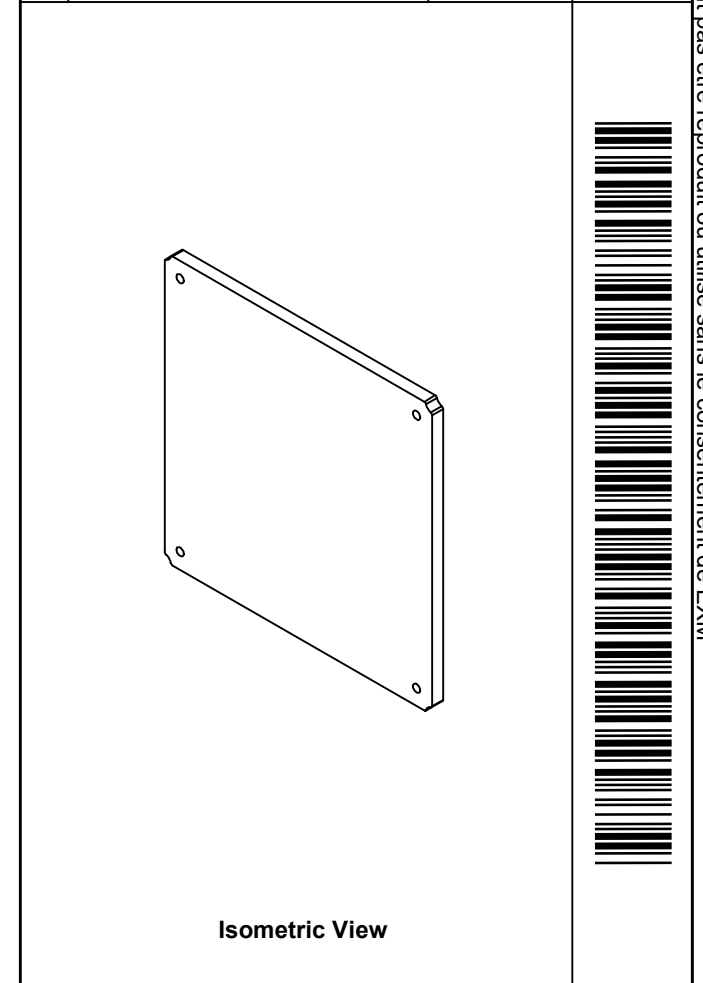
| QTY        | Part Number       | Rev | Description                             |
|------------|-------------------|-----|---|
| 2          | STK-S-00100       | 0   | 3.5" x 2" Silver Milar Flexcon Sticker  |
| 4          | STK-Q-07250       | 2   | M6 x 16mm Collar Nut                    |
| 2          | STK-Q-46020-20    | 5   | 5412 ES Vertical Door Stiffener 20"     |
| 1          | 5300ES202012THI-C | 0   | 5300ES 20" x 20" Cover Insulation       |
| 1          | STK-P-02400S      | 0   | Powder Paint (Asa-61 Grey / Smooth)     |
| 4          | STK-Q-16055       | 1   | M6 x 18mm Stud (No Paint Cap Required)  |
| 1          | 5300ES202012THG   | 0   | 5300ES 20" x 20" Cover Gasket Part      |
| 1          | 5300ES202012THC-P | 0   | 5300ES 20" x 20" Cover Part             |
| 2          | STK-K-09800       | 10  | 5412 ES Hinge with 2 Captive Hinge Pins |
| Parts List |                   |     |   |

This drawing is confidential and must not be reproduced or used without the consent of EXM


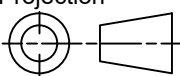
Ce dessin est confidentiel et ne doit pas être reproduit ou utilisé sans le consentement de EXM



| No. | Revisions | Date | By/Par |
|-----|-----------|------|--------|
|     |           |      |        |
|     |           |      |        |
|     |           |      |        |
|     |           |      |        |
|     |           |      |        |



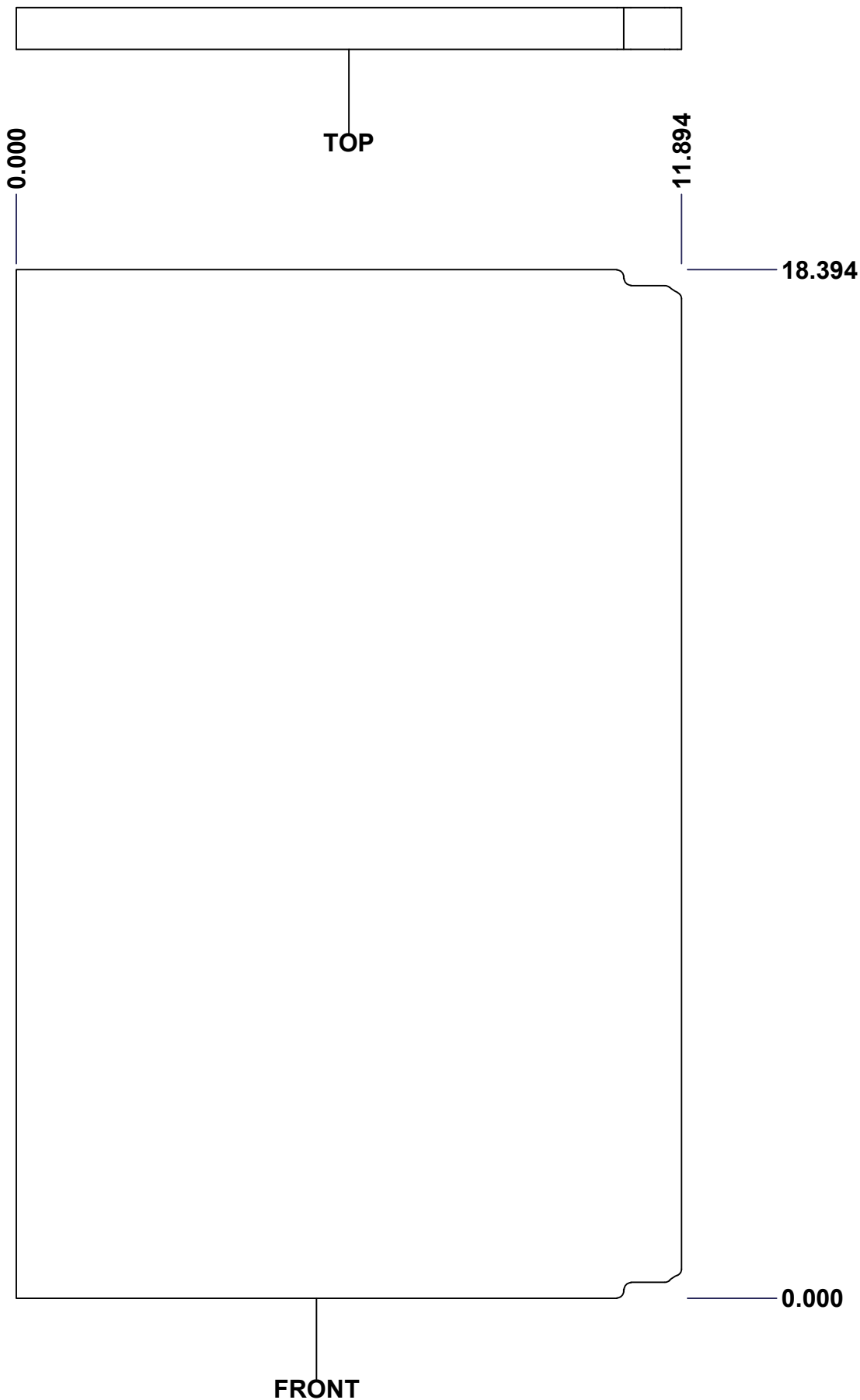
Isometric View

|  |                           |   |
|--|---------------------------|---|
|  Tél: (450) 979-4373<br>Fax: (450) 979-4626<br><a href="http://www.exmweb.com">www.exmweb.com</a> | Flatness<br>Aplatissement | Max 3.0mm   |
|  | Projection                |  |
| Customer<br>Client   | Date                      |   |
| Drawn By<br>Dessiné Par  | BoxCad: Patrick Deschenes | Date 23-Jan-07  |
| Material<br>Matière  | Polyisocyanurate          |   |
| Color<br>Couleur   | Aluminum                  | Finish<br>Fini N/A  |
| Description  | Detail Rev.               |   |
| 5300ES 20" x 20" Back Insulation   |                           |   |
| Part Number<br>Numéro Pièce  | Rev.                      | 11  |
| <b>5300ES202012THI-B</b>   | <b>0</b>                  | 16  |

SEE BILL OF MATERIAL ON LAST PAGE

This drawing is confidential and must not be reproduced or used without the consent of EXM

Ce dessin est confidentiel et ne doit pas être reproduit ou utilisé sans le consentement de EXM



SEE BILL OF MATERIAL ON LAST PAGE

| No. | Revisions | Date | By/Par |
|-----|-----------|------|--------|
|     |           |      |        |
|     |           |      |        |
|     |           |      |        |
|     |           |      |        |
|     |           |      |        |



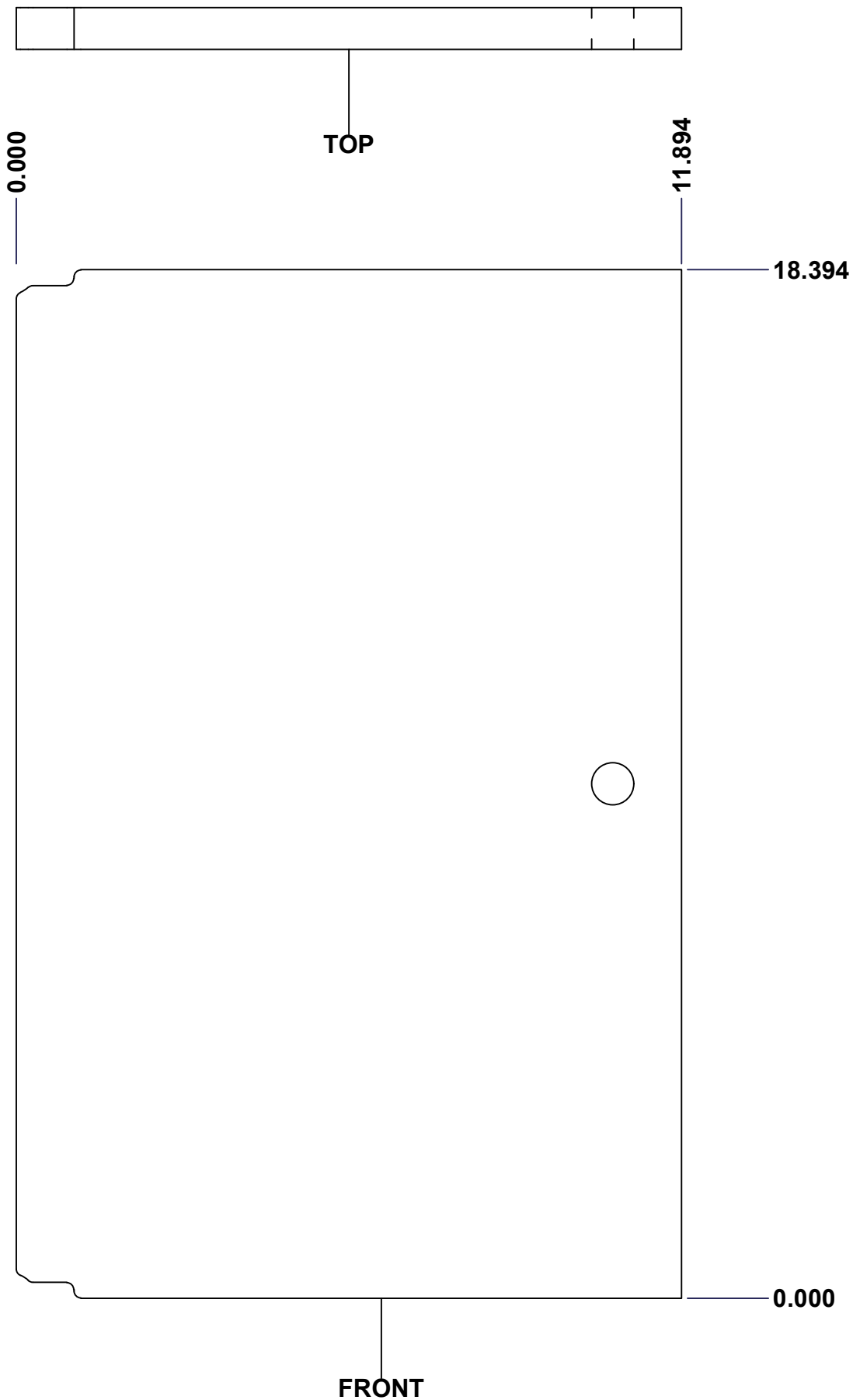
Isometric View



|  |                           |                    |
|--|---------------------------|--------------------|
| Tél: (450) 979-4373<br>Fax: (450) 979-4626<br><a href="http://www.exmweb.com">www.exmweb.com</a> | Flatness<br>Aplatissement | Max 3.0mm          |
|  | Projection                |                    |
| Customer<br>Client   | Date                      |                    |
| Drawn By<br>Dessiné Par  | BoxCad: Patrick Deschenes | Date 23-Jan-07     |
| Material<br>Matière  | Polyisocyanurate          |                    |
| Color<br>Couleur   | Aluminum                  | Finish<br>Fini N/A |
| Description  | Detail Rev.               |                    |
| 5300ES 20" x 20" Left Insulation   |                           |                    |
| Part Number<br>Numéro Pièce  | Rev.                      | 12                 |
| 5300ES202012TH-LS  | 0                         | 16                 |

This drawing is confidential and must not be reproduced or used without the consent of EXM

Ce dessin est confidentiel et ne doit pas être reproduit ou utilisé sans le consentement de EXM



| No. | Revisions | Date | By/Par |
|-----|-----------|------|--------|
|     |           |      |        |
|     |           |      |        |
|     |           |      |        |
|     |           |      |        |
|     |           |      |        |

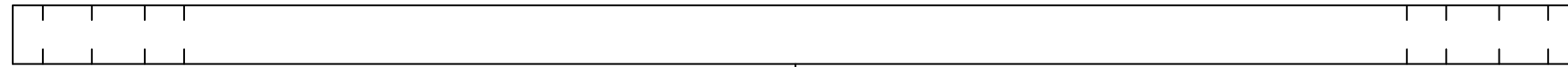
**Isometric View**

|  |                    |  |
|--|--------------------|--|
| Tél: (450) 979-4373<br>Fax: (450) 979-4626<br><a href="http://www.exmweb.com">www.exmweb.com</a> |                    | Flatness<br>Aplatissement<br>Max 3.0mm |
| Projection<br>   |                    | Date                                   |
| Customer Client  | Date 23-Jan-07     |  |
| Drawn By / Dessiné Par: BoxCad: Patrick Deschenes  | Date 23-Jan-07     |  |
| Material / Matière: Polyisocyanurate   | Date               |  |
| Color / Couleur: Aluminum  | Finish / Fini: N/A |  |
| Description: 5300ES 20" x 20" Right Insulation   | Detail Rev.        |  |
| Part Number / Numéro Pièce: 5300ES202012THI-RS   | Rev. 0             | 13 / 16                                |

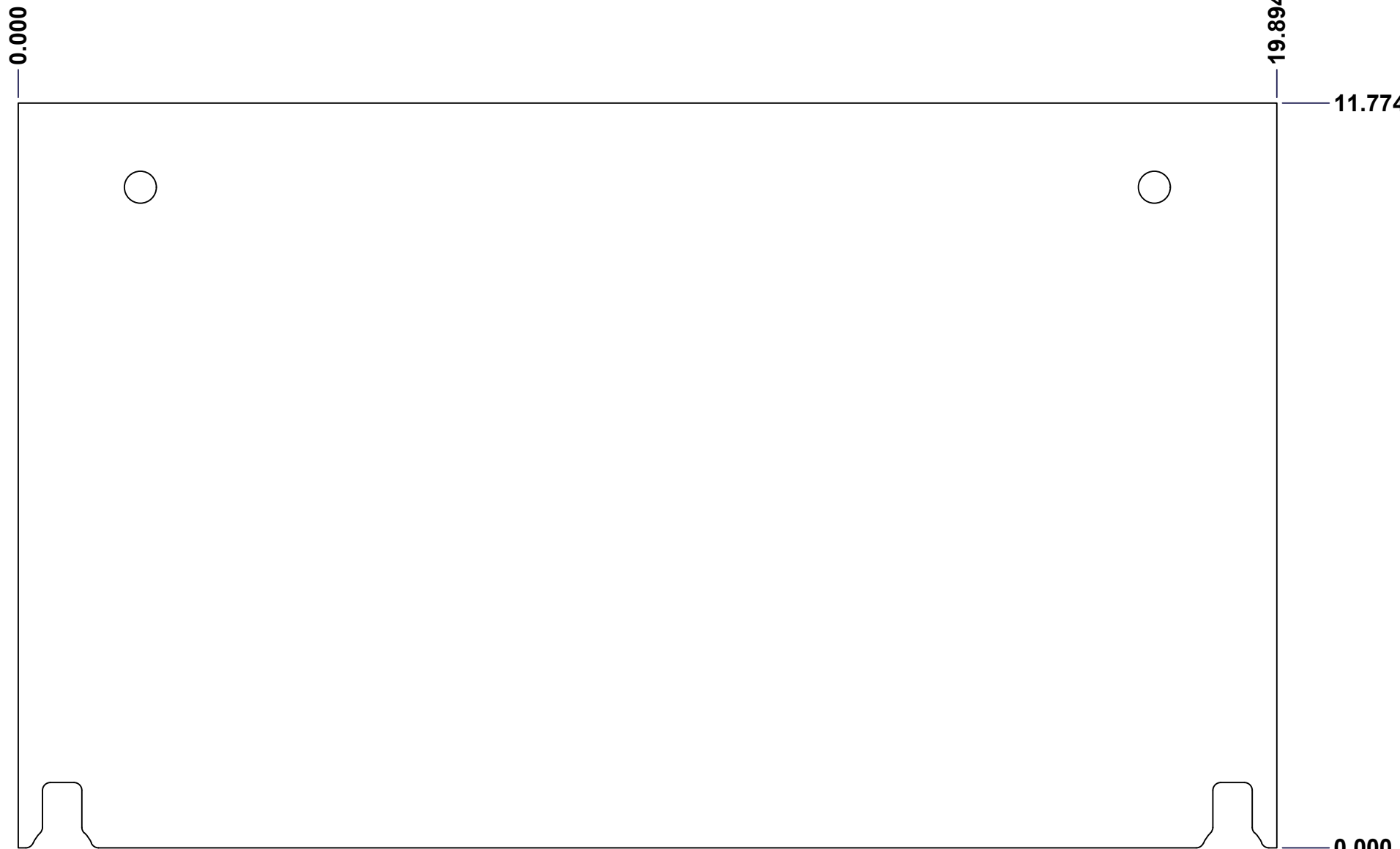
SEE BILL OF MATERIAL ON LAST PAGE

This drawing is confidential and must not be reproduced or used without the consent of EXM

Ce dessin est confidentiel et ne doit pas être reproduit ou utilisé sans le consentement de EXM



TOP

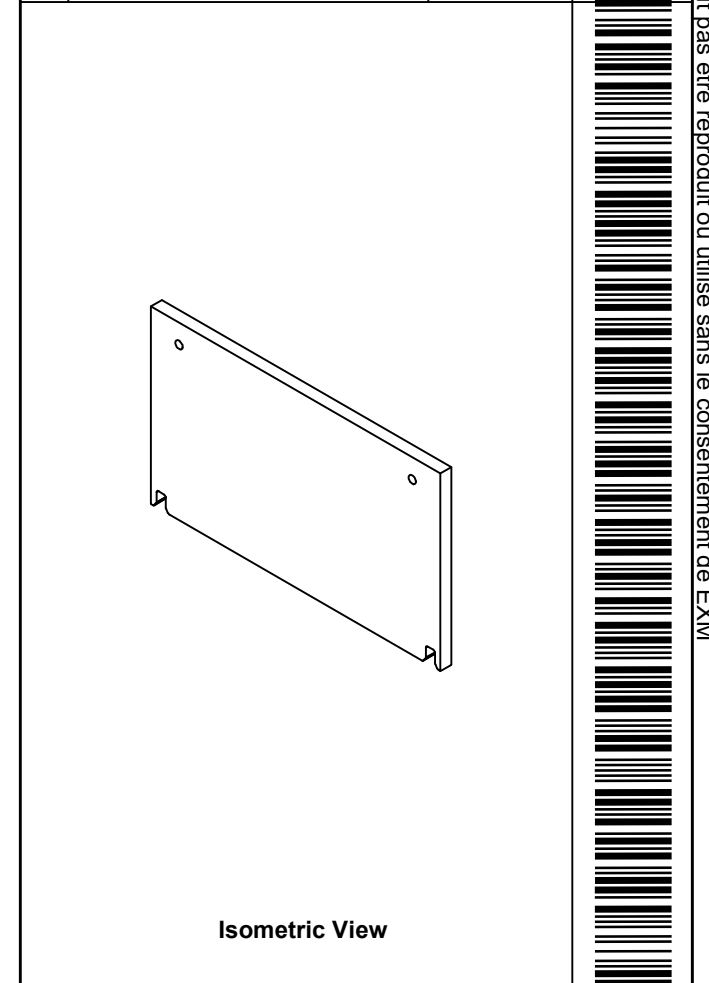


FRONT

0.000  
0.750


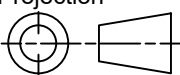
RIGHT

| No. | Revisions | Date | By/Par |
|-----|-----------|------|--------|
|     |           |      |        |
|     |           |      |        |
|     |           |      |        |
|     |           |      |        |



Isometric View



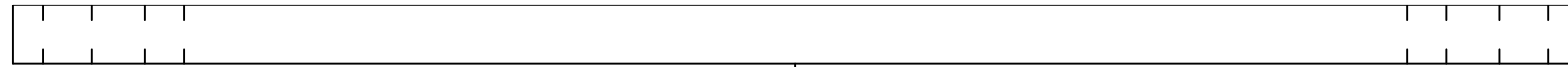
|  |                  |   |
|--|------------------|---|
|  Tél: (450) 979-4373<br>Fax: (450) 979-4626<br><a href="http://www.exmweb.com">www.exmweb.com</a> |                  | Flatness<br>Aplatissement<br>Max 3.0mm<br>Projection<br> |
| Customer Client  | Date             |   |
| Drawn By<br>Dessiné Par  | BoxCad: BoxCad   | Date 4/3/2024   |
| Material<br>Matière  | Polyisocyanurate |   |
| Color<br>Couleur   | Aluminum         | Finish<br>Fini Smooth   |
| Description<br>5300ES 20" x 20"Top Insulation  |                  | Detail Rev.   |
| Part Number<br>Numéro Pièce  | Rev. 0           | 14<br>16  |

SEE BILL OF MATERIAL ON LAST PAGE

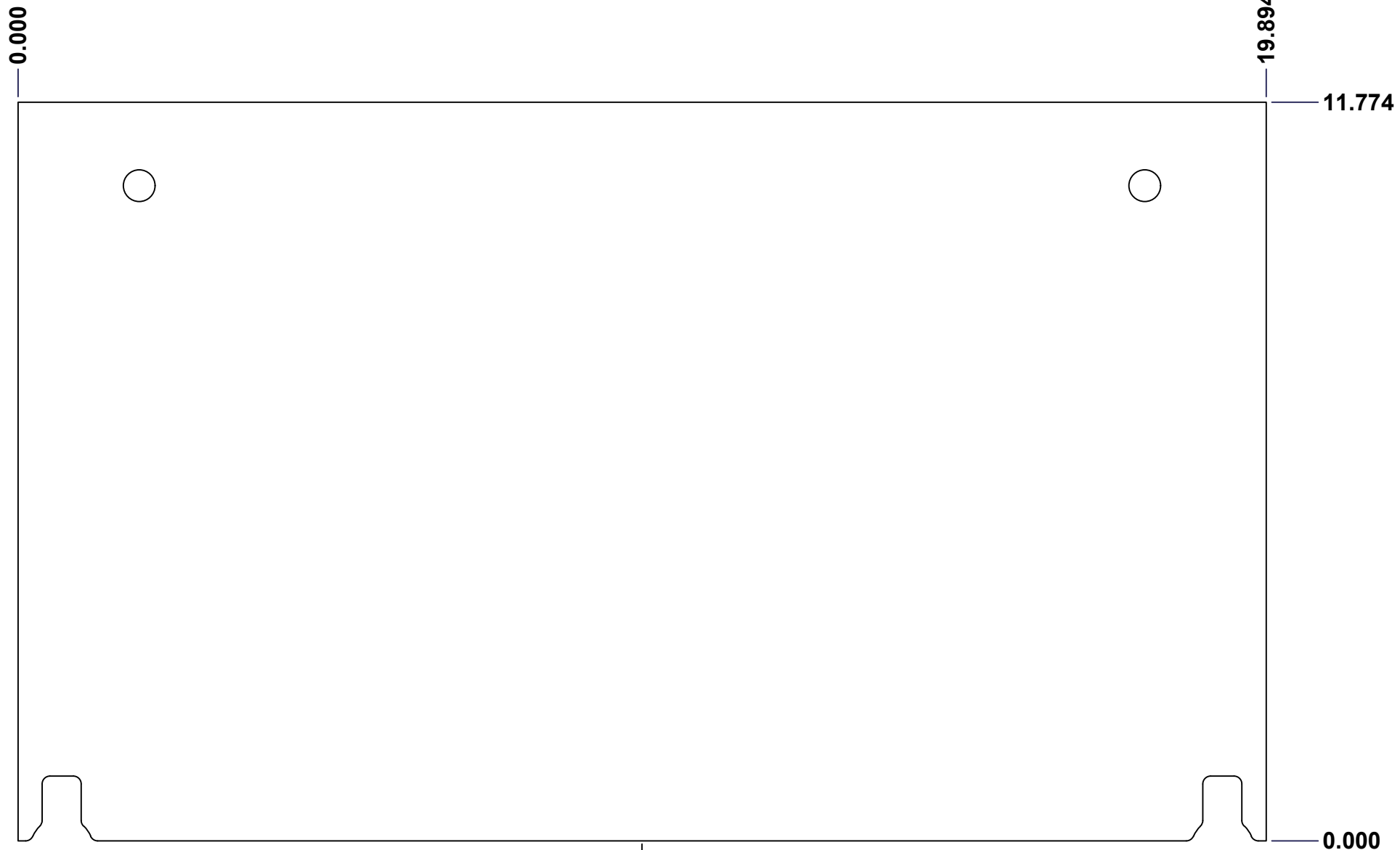
**5300ES202012THI-TP**

This drawing is confidential and must not be reproduced or used without the consent of EXM

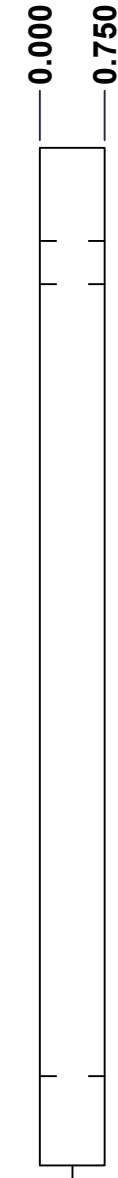
Ce dessin est confidentiel et ne doit pas être reproduit ou utilisé sans le consentement de EXM



TOP

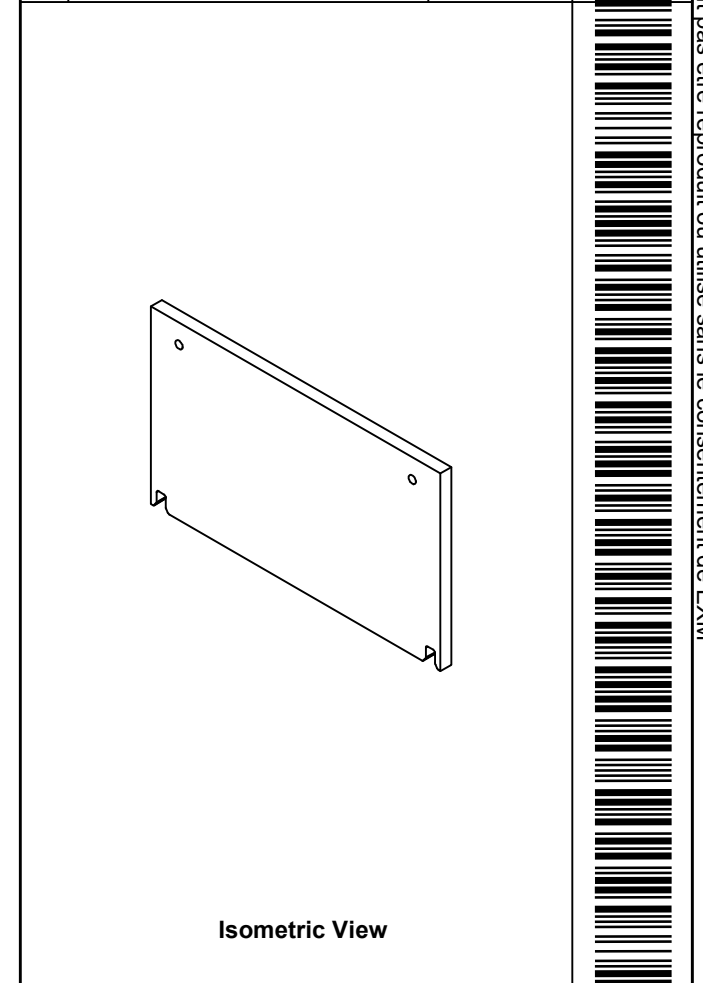


FRONT



RIGHT

| No. | Revisions | Date | By/Par |
|-----|-----------|------|--------|
|     |           |      |        |
|     |           |      |        |
|     |           |      |        |
|     |           |      |        |

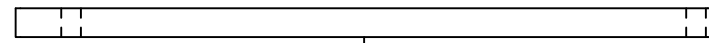


|   |  |
|---|--|
| <p>Tél: (450) 979-4373<br/>Fax: (450) 979-4626<br/><a href="http://www.exmweb.com">www.exmweb.com</a></p> | Flatness<br>Aplatissement<br>Max 3.0mm |
|   | Projection<br>                         |
| Customer Client   | Date                                   |
| Drawn By<br>Dessiné Par BoxCad: BoxCad  | Date 4/3/2024                          |
| Material<br>Matière Polyisocyanurate  |  |
| Color<br>Couleur Aluminum   | Finish<br>Fini Smooth                  |
| Description<br>5300ES 20" x 20"Bottom Insulation  | Detail Rev.                            |
| Part Number<br>Numéro Pièce <b>5300ES202012THI-BT</b>   | Rev. 15<br><b>0</b> 16                 |

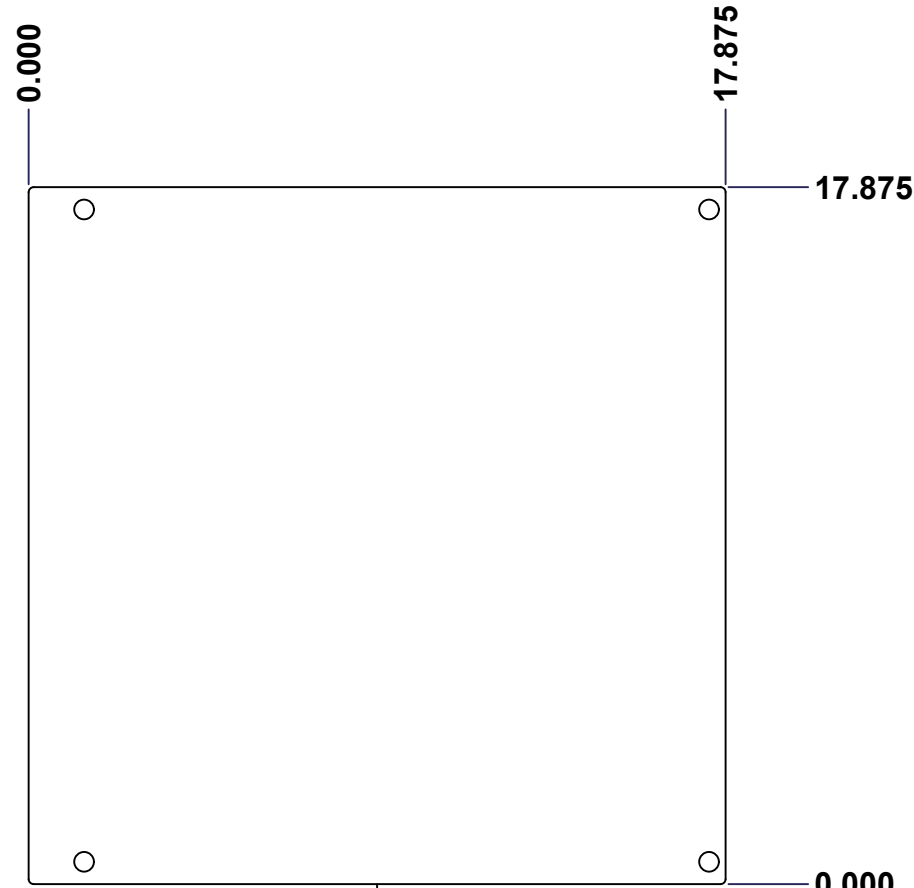
SEE BILL OF MATERIAL ON LAST PAGE

This drawing is confidential and must not be reproduced or used without the consent of EXM

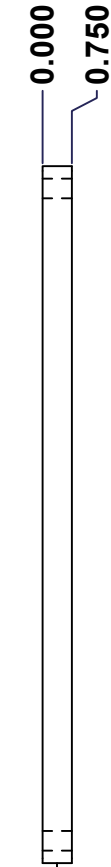
Ce dessin est confidentiel et ne doit pas être reproduit ou utilisé sans le consentement de EXM



TOP

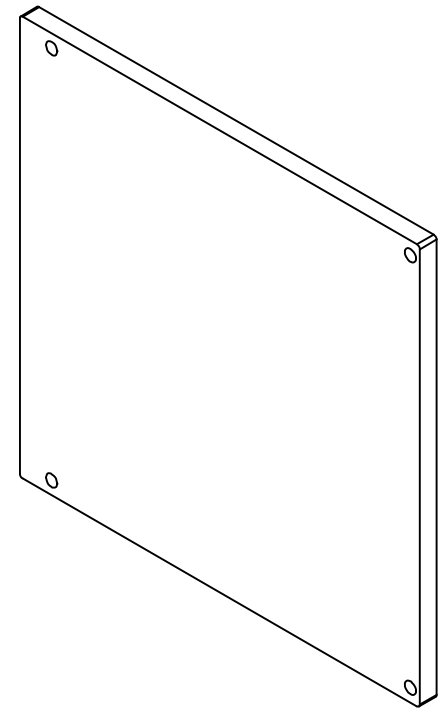


FRONT



RIGHT

| No. | Revisions | Date | By/Par |
|-----|-----------|------|--------|
|     |           |      |        |
|     |           |      |        |
|     |           |      |        |
|     |           |      |        |



Isometric View



Tél: (450) 979-4373  
 Fax: (450) 979-4626  
[www.exmweb.com](http://www.exmweb.com)

Flatness  
 Aplatissement  
 Max 3.0mm  
 Projection

|  |                     |
|--|---------------------|
| Customer Client                                      | Date                |
| Drawn By<br>Dessiné Par BoxCad: Patrick Deschenes    | Date 23-Jan-07      |
| Material<br>Matière Polyisocyanurate                 |                     |
| Color<br>Couleur Aluminum                            | Finish<br>Fini N/A  |
| Description<br>5300ES 20" x 20" Cover Insulation     | Detail Rev.         |
| Part Number<br>Numéro Pièce <b>5300ES202012THI-C</b> | Rev. 16<br><b>0</b> |

SEE BILL OF MATERIAL ON LAST PAGE

This drawing is confidential and must not be reproduced or used without the consent of EXM

Ce dessin est confidentiel et ne doit pas être reproduit ou utilisé sans le consentement de EXM



TOP



FRONT

18.000

0.000

RIGHT

| No. | Revisions | Date | By/Par |
|-----|-----------|------|--------|
|     |           |      |        |
|     |           |      |        |
|     |           |      |        |
|     |           |      |        |
|     |           |      |        |

**Isometric View**

Tél: (450) 979-4373  
Fax: (450) 979-4626  
www.exmweb.com

Flatness  
Aplatissement  
Max 3.0mm

Projection

|                                 |                 |
|---------------------------------|-----------------|
| Customer Client                 | Date            |
| Drawn By<br>Dessiné Par: BoxCad | Date: 23-Jan-07 |

Material Matière: See Part List

|                              |                            |
|------------------------------|----------------------------|
| Color Couleur: See Part List | Finish Fini: See Part List |
|------------------------------|----------------------------|

Description: 881 SP - Inner Panel

Detail Rev.

| Qty        | Part Number   | Rev | Description               | Material         | Color     | Finish     |
|------------|---------------|-----|---------------------------|------------------|-----------|------------|
| 1          | 881 SP2020G-P | 0   | 881 SP - Inner Panel Part | 12 Ga Galvanized | Unpainted | Galvanized |
| Parts List |               |     |                           |                  |           |            |

|   |               |        |
|---|---------------|--------|
| Part Number<br>Numéro Pièce: <b>881 SP2020G</b> | Rev. <b>0</b> | 1<br>2 |
|---|---------------|--------|

This drawing is confidential and must not be reproduced or used without the consent of EXM

Ce dessin est confidentiel et ne doit pas être reproduit ou utilisé sans le consentement de EXM

| Table 1 |        |        | FRONT VIEW               |
|---------|--------|--------|--------------------------|
| CUT-OUT | XDIM   | YDIM   | DESCRIPTION              |
| 1       | 0.875  | 1.875  | GROUND HOLE (RND Ø0.290) |
| 2       | 17.125 | 1.875  | GROUND HOLE (RND Ø0.290) |
| 3       | 0.875  | 16.125 | GROUND HOLE (RND Ø0.290) |
| 4       | 17.125 | 16.125 | GROUND HOLE (RND Ø0.290) |

All knockouts are actual size / Les disques défonçables sont grandeur réel


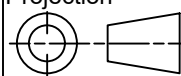
| No. | Revisions | Date | By/Par |
|-----|-----------|------|--------|
|     |           |      |        |
|     |           |      |        |
|     |           |      |        |
|     |           |      |        |
|     |           |      |        |
|     |           |      |        |



FRONT



Isometric View

|  |               |  |
|--|---------------|--|
|  Tél: (450) 979-4373<br>Fax: (450) 979-4626<br>www.exmweb.com |               | Flatness<br>Aplatissement<br>Max 3.0mm |
| Projection<br>  |               | Date<br>23-Jan-07                      |
| Customer<br>Client   | Date          |  |
| Drawn By<br>Dessiné Par  | BoxCad        | Date 23-Jan-07                         |
| Material<br>Matière  | See Part List |  |
| Color<br>Couleur   | See Part List | Finish<br>Fini See Part List           |
| Description<br>881 SP - Inner Panel  |               | Detail Rev.                            |
| Part Number<br>Numéro Pièce  | 881 SP2020G   | Rev. 2<br>0                            |