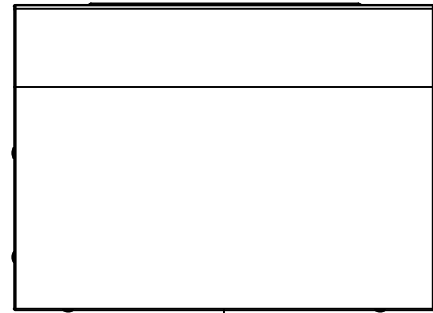
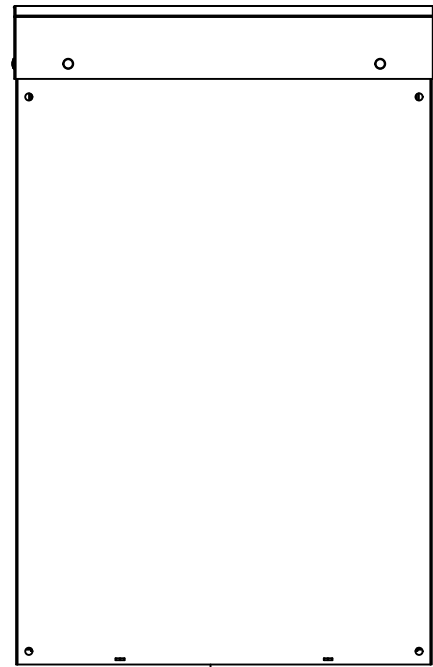


This drawing is confidential and must not be reproduced or used without the consent of EXM

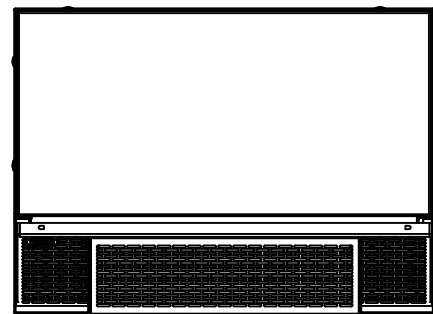
Ce dessin est confidentiel et ne doit pas être reproduit ou utilisé sans le consentement de EXM



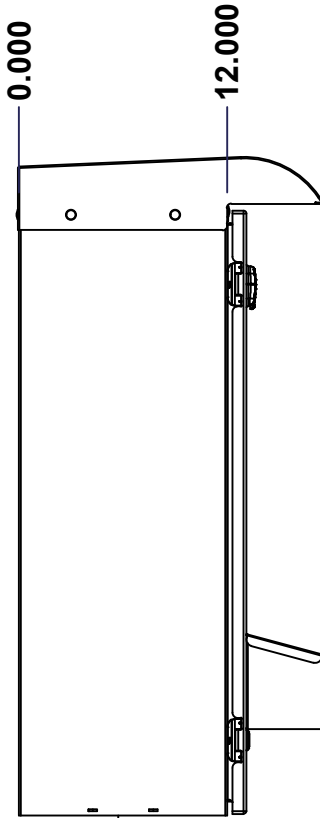
TOP



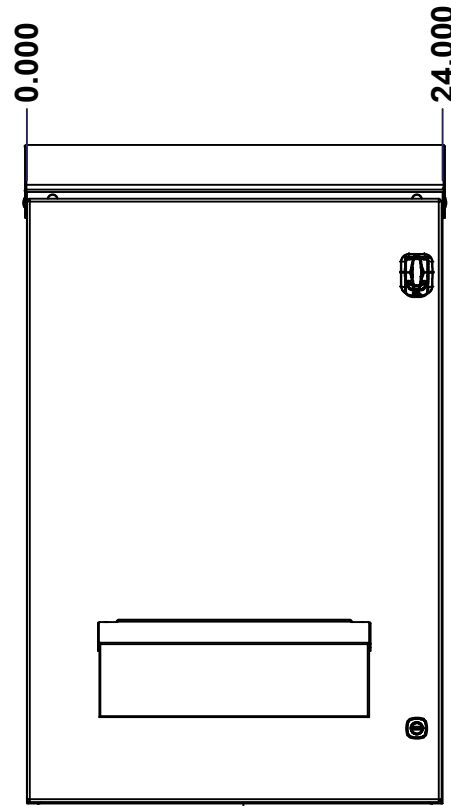
BACK



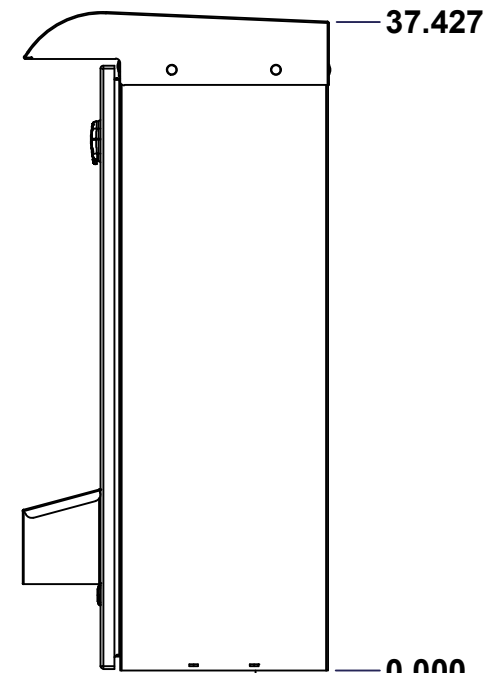
BOTTOM



LEFT

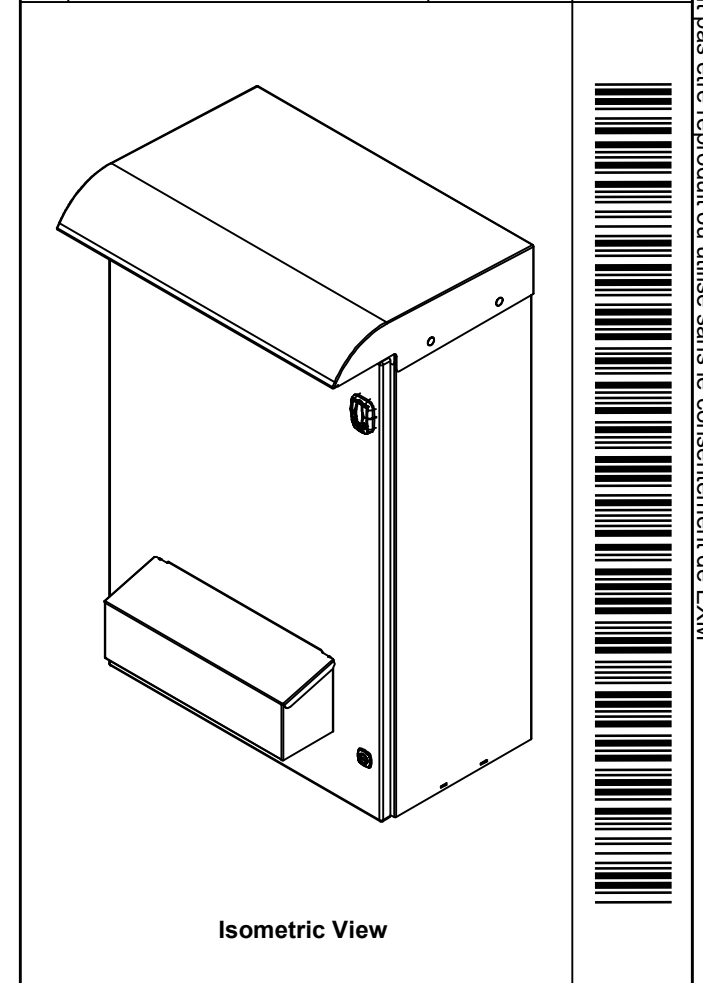


FRONT


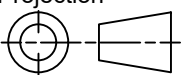


RIGHT

| No. | Revisions | Date | By/Par |
|-----|-----------|------|--------|
|     |           |      |        |
|     |           |      |        |
|     |           |      |        |
|     |           |      |        |
|     |           |      |        |



Isometric View

|  |  |   |
|--|--|---|
|  Tél: (450) 979-4373<br>Fax: (450) 979-4626<br><a href="http://www.exmweb.com">www.exmweb.com</a> | Flatness<br>Aplatissement                  | Max 3.0mm   |
|  | Projection                                 |  |
| Customer<br>Client   | Date                                       |   |
| Drawn By<br>Dessiné Par  | BoxCad: BoxCad                             | Date 13-Jun-18  |
| Material<br>Matière  | 14 Ga Cold Rolled A1008 CS Type B (1.7mm)  |   |
| Color<br>Couleur   | White RAL9003<br>(Over Primer STK-P-04752) | Finish<br>Fini Textured   |
| Description  | Detail Rev.                                |   |
| 5300EWB 35" x 24" x 12" Assembly   |  |   |
| Part Number<br>Numéro Pièce  | Rev. 0                                     | 1/9   |
| <b>5300EWB352412</b>   |  |   |

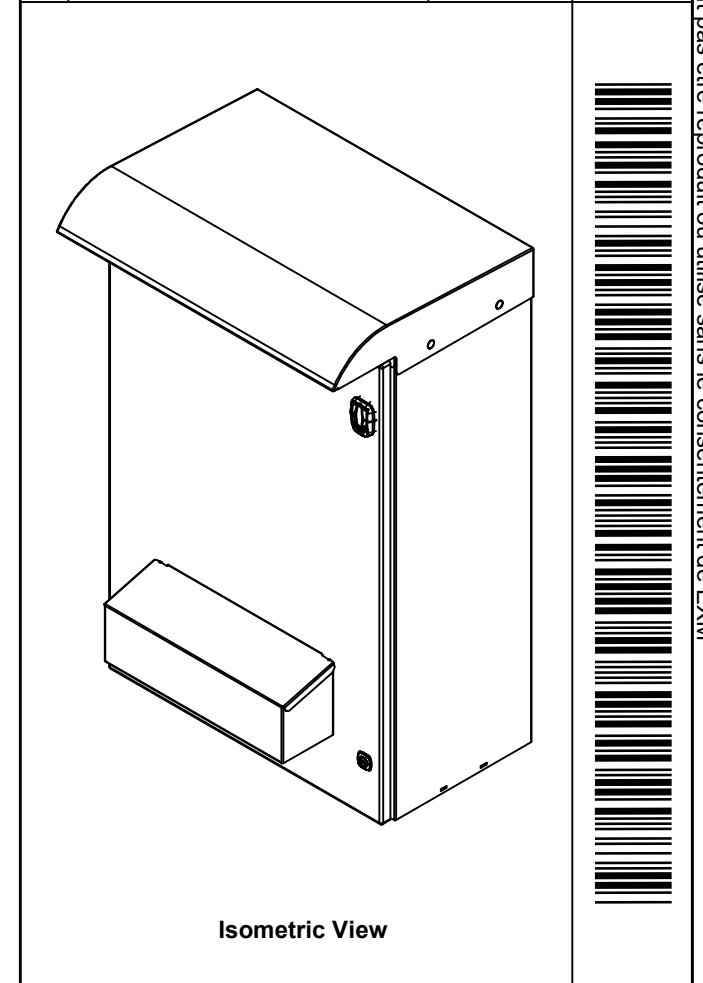
SEE BILL OF MATERIAL ON LAST PAGE


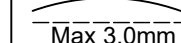
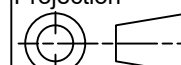
This drawing is confidential and must not be reproduced or used without the consent of EXM

Ce dessin est confidentiel et ne doit pas être reproduit ou utilisé sans le consentement de EXM

| NOTE |  |
|------|--|
| ITEM | DESCRIPTION                                |
| 1    | NEMA 3, 3R Enclosure (IP64)                |
| 2    | C/W Powdura® Epoxy Powder Coating Primer   |
| 3    | C/W Standard ground studs on box and cover |
| 4    | W/O Standard door stiffener                |
| 5    | W/O Inner panel                            |
| 6    | C/W Standard inner panel mounting studs    |
| 7    | C/W 01141.9-00 Included (Installed)        |

| No. | Revisions | Date | By/Par |
|-----|-----------|------|--------|
|     |           |      |        |
|     |           |      |        |
|     |           |      |        |
|     |           |      |        |
|     |           |      |        |
|     |           |      |        |



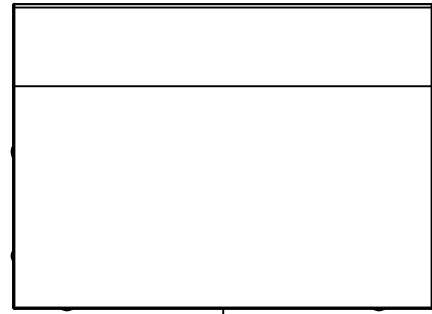
|  |  |
|--|--|
|  Tél: (450) 979-4373<br>Fax: (450) 979-4626<br><a href="http://www.exmweb.com">www.exmweb.com</a> | Flatness<br>Aplatissement<br> Max 3.0mm |
|  | Projection<br>                          |
| Customer Client  | Date   |
| Drawn By<br>Dessiné Par BoxCad: BoxCad   | Date 13-Jun-18   |
| Material<br>Matière 14 Ga Cold Rolled A1008 CS Type B (1.7mm)  |  |
| Color<br>Couleur White RAL9003<br>(Over Primer STK-P-04752)  | Finish<br>Fini Textured  |
| Description<br>5300EWB 35" x 24" x 12" Assembly  | Detail Rev.  |
| Part Number<br>Numéro Pièce <b>5300EWB352412</b>   | Rev. <b>0</b>  |

| PACKING               |     |  |
|-----------------------|-----|--|
| ITEM                  | QTY | DESCRIPTION                                |
| Cardboard sleeve      | 2   | Top and Bottom                             |
| Cardboard strip       | 2   | Between back of enclosure and inner panel  |
| Plastic bag           | 1   | To protect cover surface and inside gasket |
| Plastic strap - Black | 2   | To Squeeze the 2 cardboard sleeve together |
| Packaging label       | 1   | White label with product number            |

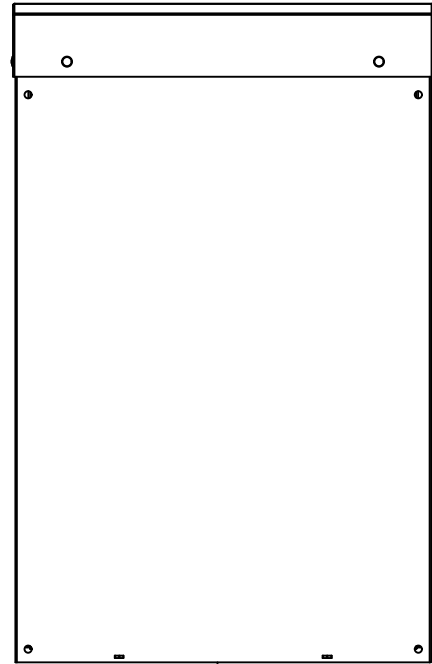
| Qty        | Part Number    | Rev | Description   |
|------------|----------------|-----|---|
| 2          | STK-Q-04050-10 | 8   | M6 x 10mm Hexagon Socket Head Machine Screw with Nyseal |
| 1          | 5300EWB352412C | 0   | 5300EWB 35" x 24" x 12" Cover                           |
| 1          | 5300EWB352412B | 0   | 5300EWB 35" x 24" x 12" Body                            |
| Parts List |                |     |   |

This drawing is confidential and must not be reproduced or used without the consent of EXM

Ce dessin est confidentiel et ne doit pas être reproduit ou utilisé sans le consentement de EXM



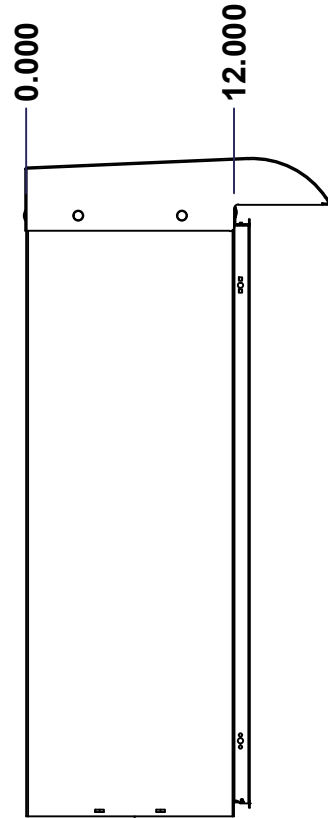
TOP



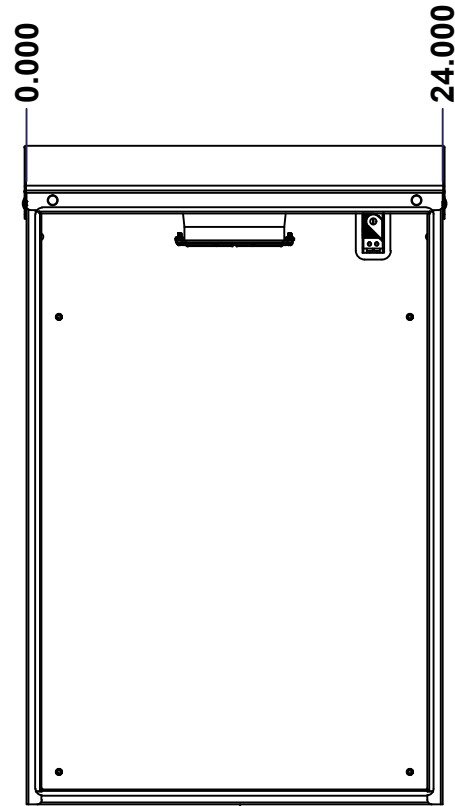
BACK



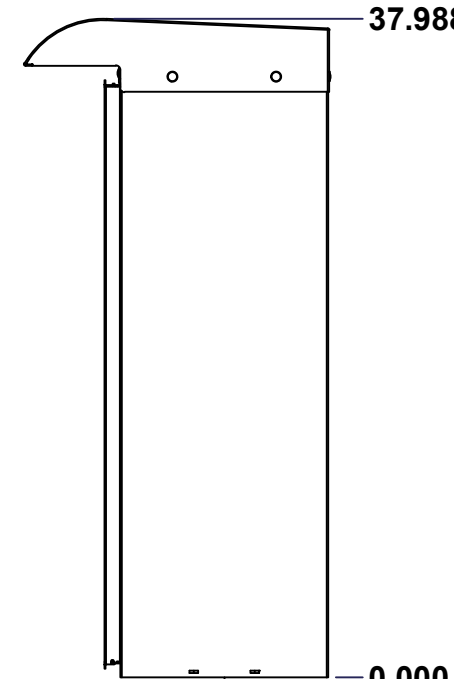
BOTTOM



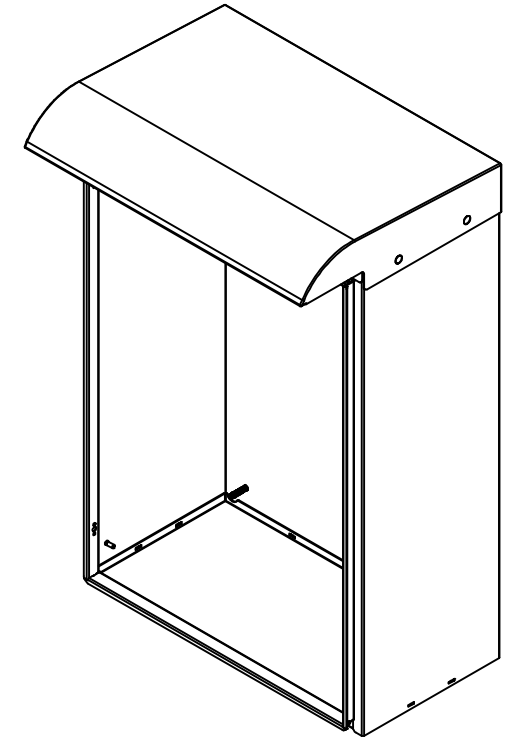
LEFT



FRONT




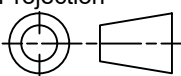
RIGHT



Isometric View



| No. | Revisions | Date | By/Par |
|-----|-----------|------|--------|
|     |           |      |        |
|     |           |      |        |
|     |           |      |        |
|     |           |      |        |
|     |           |      |        |

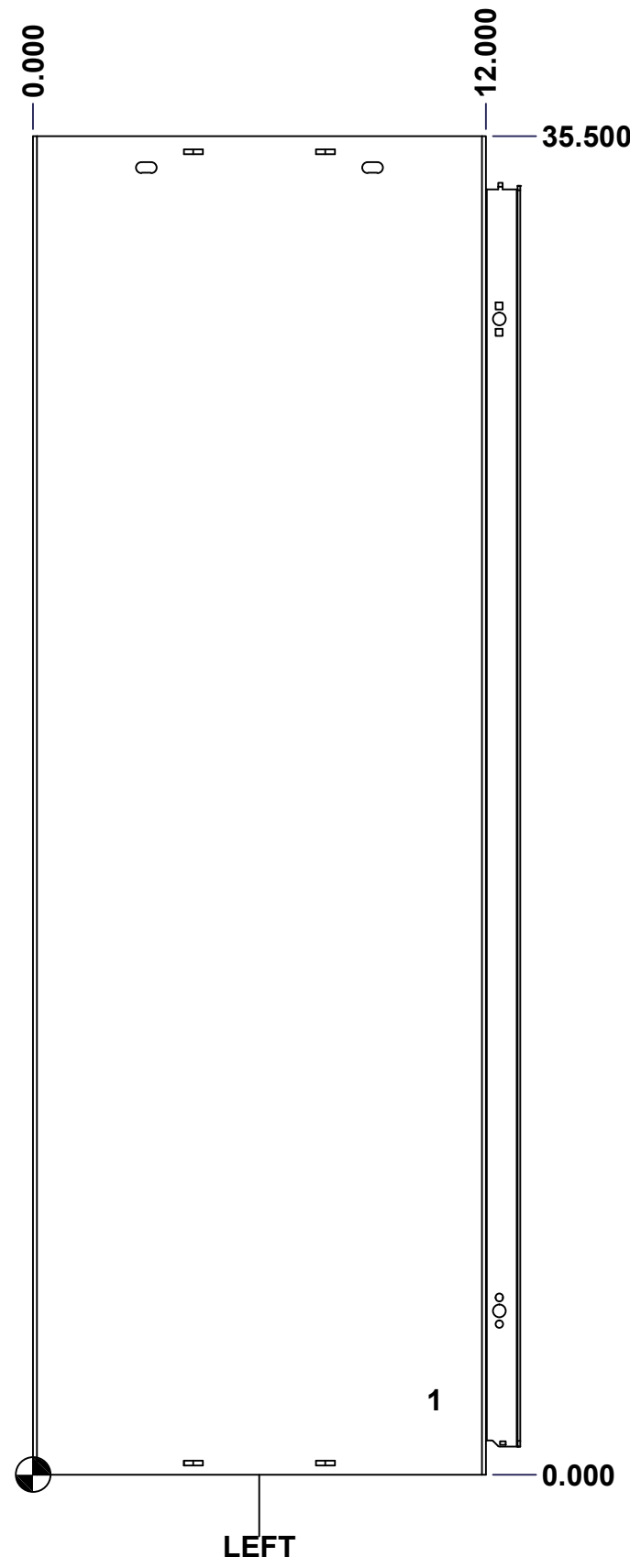
|  |  |   |
|--|--|---|
|  Tél: (450) 979-4373<br>Fax: (450) 979-4626<br><a href="http://www.exmweb.com">www.exmweb.com</a> |  | Flatness<br>Aplatissement<br>Max 3.0mm<br>Projection<br> |
| Customer<br>Client   | Date                                       |   |
| Drawn By<br>Dessiné Par  | BoxCad: BoxCad                             | Date 13-Jun-18  |
| Material<br>Matière  | 14 Ga Cold Rolled A1008 CS Type B (1.7mm)  |   |
| Color<br>Couleur   | White RAL9003<br>(Over Primer STK-P-04752) | Finish<br>Fini Textured   |
| Description  | Detail Rev.                                |   |
| 5300EWB 35" x 24" x 12" Body   |  |   |
| Part Number<br>Numéro Pièce  | Rev. 0                                     | 3<br>9  |
| <b>5300EWB352412B</b>  |  |   |

SEE BILL OF MATERIAL ON LAST PAGE

This drawing is confidential and must not be reproduced or used without the consent of EXM

Ce dessin est confidentiel et ne doit pas être reproduit ou utilisé sans le consentement de EXM

| STANDARD FEATURES ARE NOT LISTED IN THIS HOLE TABLE |        |       |                             |
|---|--------|-------|-----------------------------|
| HOLE TABLE - LEFT VIEW (CUSTOM FEATURE ONLY)        |        |       |                             |
| CUT-OUT   | XDIM   | YDIM  | DESCRIPTION                 |
| 1   | 10.500 | 2.000 | GND STUD M6 x 16mm (Inside) |



|  |                              |        |
|--|------------------------------|--------|
|  | Description                  | Status |
|  | 5300EWB 35" x 24" x 12" Body | (NULL) |
| Part Number<br>Numéro Pièce<br><b>5300EWB352412B</b> | Rev.                         | 4      |
|  | <b>0</b>                     | 9      |

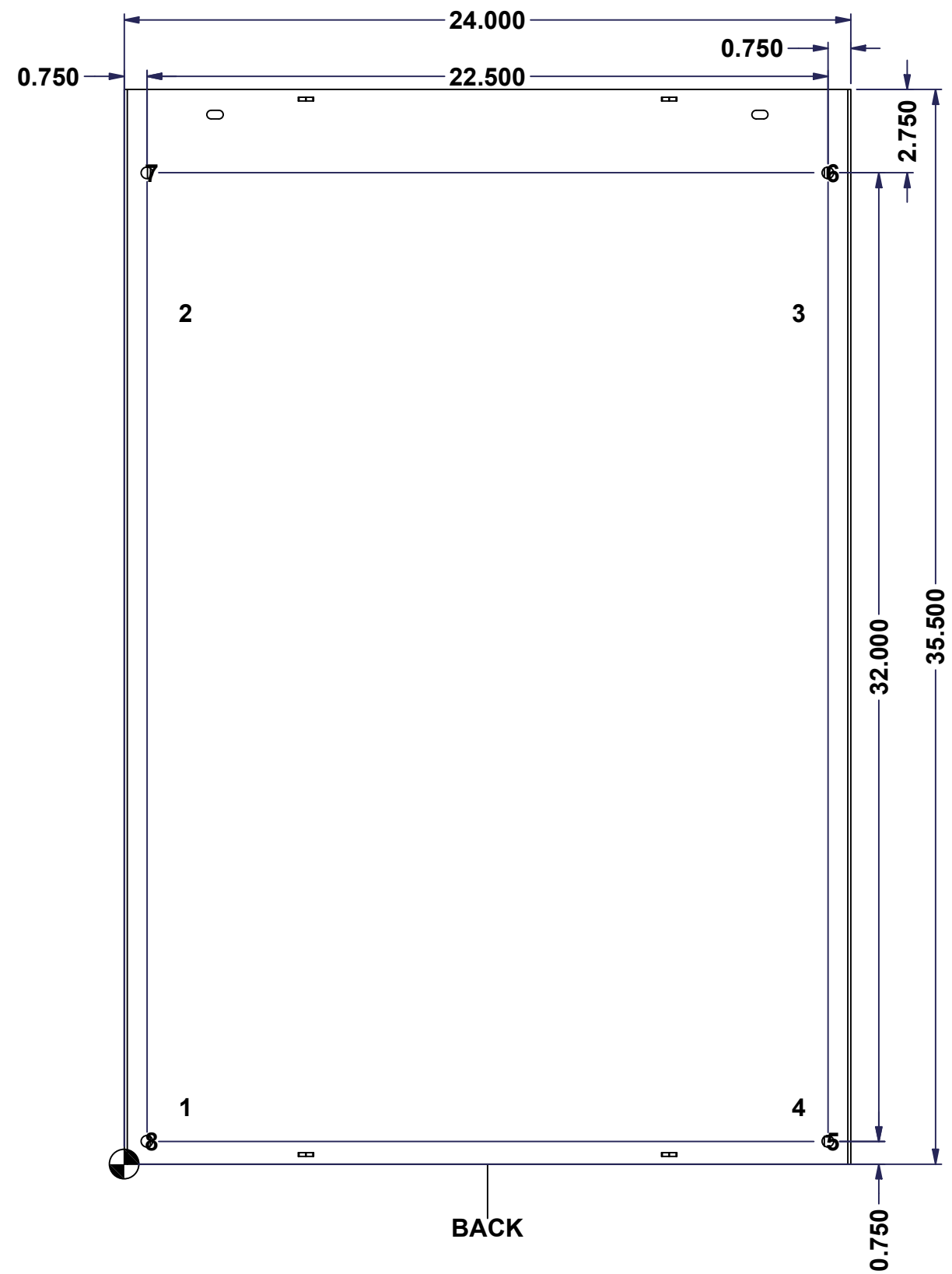
This drawing is confidential and must not be reproduced or used without the consent of EXM

Ce dessin est confidentiel et ne doit pas être reproduit ou utilisé sans le consentement de EXM

**STANDARD FEATURES ARE NOT LISTED IN THIS HOLE TABLE**

**HOLE TABLE - BACK VIEW (CUSTOM FEATURE ONLY)**

| CUT-OUT | XDIM   | YDIM   | DESCRIPTION                |
|---------|--------|--------|----------------------------|
| 1       | 1.875  | 1.875  | IP STUD M8 x 35mm (Inside) |
| 2       | 1.875  | 28.125 | IP STUD M8 x 35mm (Inside) |
| 3       | 22.125 | 28.125 | IP STUD M8 x 35mm (Inside) |
| 4       | 22.125 | 1.875  | IP STUD M8 x 35mm (Inside) |
| -----   |        |        |                            |
| 5       | 23.250 | 0.750  | RND Ø0.390                 |
| 6       | 23.250 | 32.750 | RND Ø0.390                 |
| 7       | 0.750  | 32.750 | RND Ø0.390                 |
| 8       | 0.750  | 0.750  | RND Ø0.390                 |



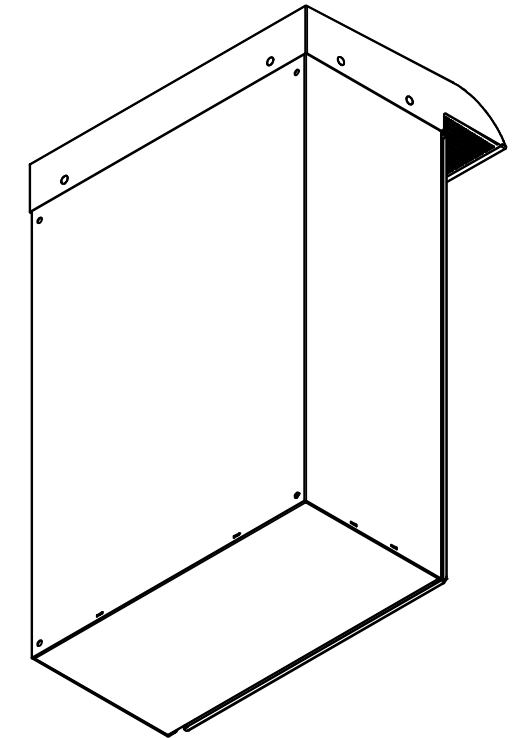
BACK

|  |                              |          |   |
|--|------------------------------|----------|---|
|  | Description                  | Status   |   |
|  | 5300EWB 35" x 24" x 12" Body | (NULL)   |   |
|  | Part Number<br>Numéro Pièce  | Rev.     | 5 |
|  | <b>5300EWB352412B</b>        | <b>0</b> | 9 |

This drawing is confidential and must not be reproduced or used without the consent of EXM

Ce dessin est confidentiel et ne doit pas être reproduit ou utilisé sans le consentement de EXM


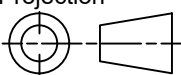
| No. | Revisions | Date | By/Par |
|-----|-----------|------|--------|
|     |           |      |        |
|     |           |      |        |
|     |           |      |        |
|     |           |      |        |
|     |           |      |        |



Isometric View

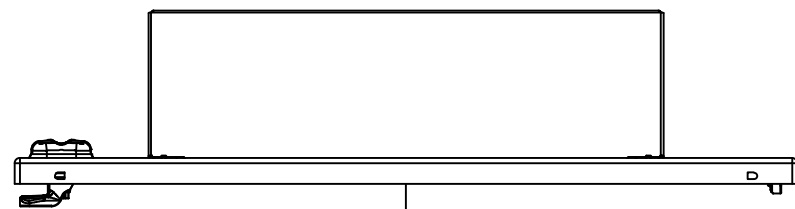


| 1          | STK-Q-16080                               | 0   | Ground Stud M6 x 16mm Steel                         |
|------------|---|-----|---|
| 1          | STK-P-04752                               | 0   | Epoxy Primer Gray Powdura EAS6-C0000 (Bottom Layer) |
| 1          | STK-P-02401R                              | 0   | Powder Paint (White / Rough Textured)               |
| 1          | 01141.9-00                                | 0   | Small Thermostat (°F Normally Open)                 |
| 1          | iLogic_MASTER_5300EW<br>B_THERMOSTAT_14GA | 2   | 5300EWB Thermostat Support Part                     |
| 1          | 880HFP325-239-115                         | 5   | Filter Fan - 325mm x 325mm (239CFM)                 |
| 1          | 5300EWB352412GP-P                         | 0   | 5300EWB 35" x 24" x 12" Fan Gland Plate Part        |
| 2          | STK-Q-05020                               | 5   | M5 x 8mm Thread Rolling Screw                       |
| 8          | STK-Q-07220                               | 1   | M6 Nylon Insert Lock Nut                            |
| 8          | STK-Q-00260                               | 1   | M6 x 13mm Carriage Bolt                             |
| 1          | 5300EWB352412T-P                          | 0   | 5300EWB 24" x 12" Top Part                          |
| 4          | STK-Q-16005                               | 1   | Stud M8 x 35mm (No Paint Cap Required)              |
| 1          | 5300EWB352412BT-P                         | 0   | 5300EWB 35" x 24" x 12" Bottom Part                 |
| 1          | 5300EWB352412F-P                          | 0   | 5300EWB 35" x 24" x 12" Front Part                  |
| 1          | 5300EWB352412B-P                          | 0   | 5300EWB 35" x 24" x 12" Body Part                   |
| Qty        | Part Number                               | Rev | Description   |
| Parts List |   |     |   |

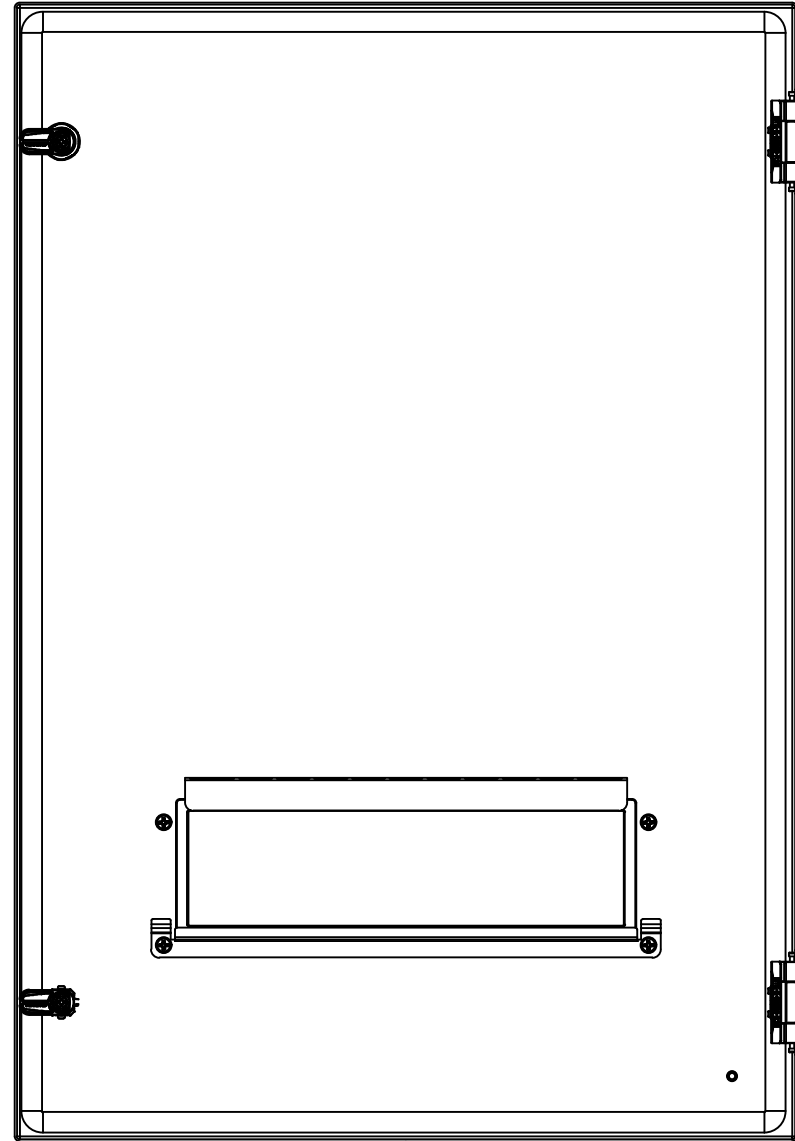
|  |   |
|--|---|
|  Tél: (450) 979-4373<br>Fax: (450) 979-4626<br><a href="http://www.exmweb.com">www.exmweb.com</a> | Flatness<br>Aplatissement   |
|  | Max 3.0mm   |
| Projection   |  |
| Customer<br>Client   | Date  |
| Drawn By<br>Dessiné Par BoxCad: BoxCad   | Date 13-Jun-18  |
| Material<br>Matière 14 Ga Cold Rolled A1008 CS Type B (1.7mm)  |   |
| Color<br>Couleur White RAL9003<br>(Over Primer STK-P-04752)  | Finish<br>Fini Textured   |
| Description<br>5300EWB 35" x 24" x 12" Body  | Detail Rev.   |
| Part Number<br>Numéro Pièce<br><b>5300EWB352412B</b>   | Rev. 6<br><b>0</b>  |

This drawing is confidential and must not be reproduced or used without the consent of EXM

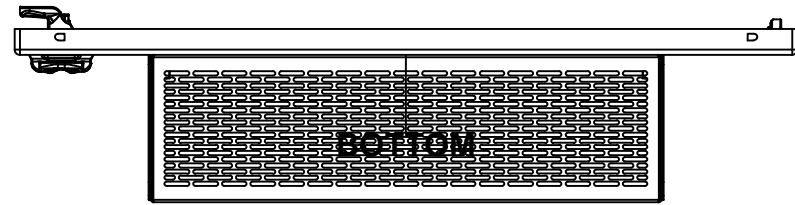
Ce dessin est confidentiel et ne doit pas être reproduit ou utilisé sans le consentement de EXM



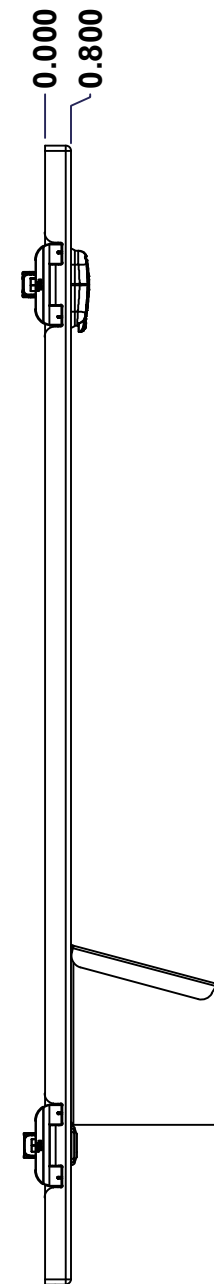
TOP



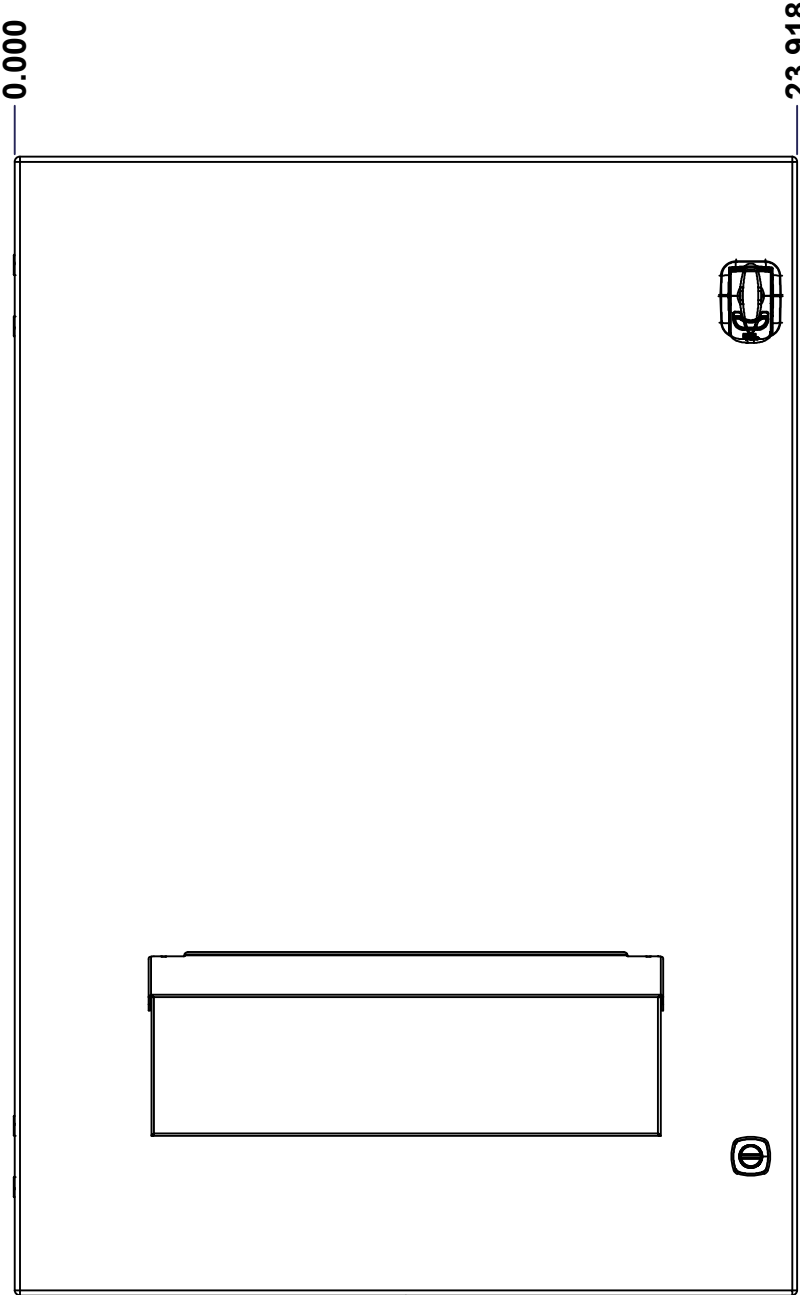
BACK



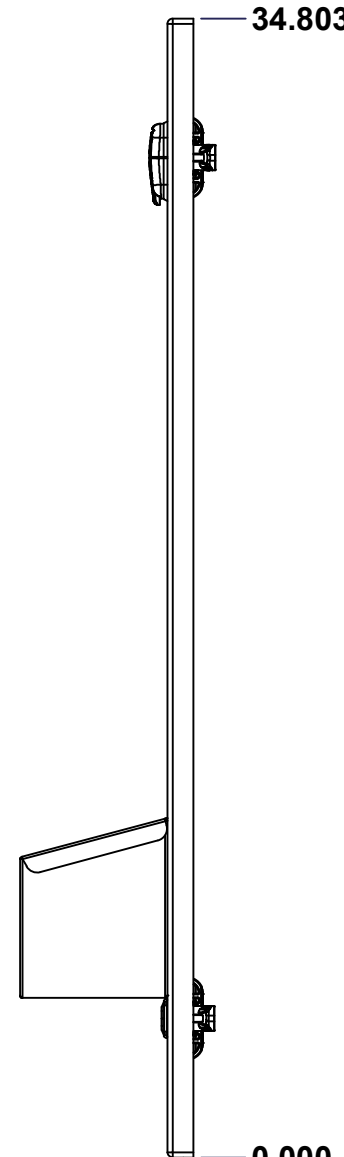
BOTTOM



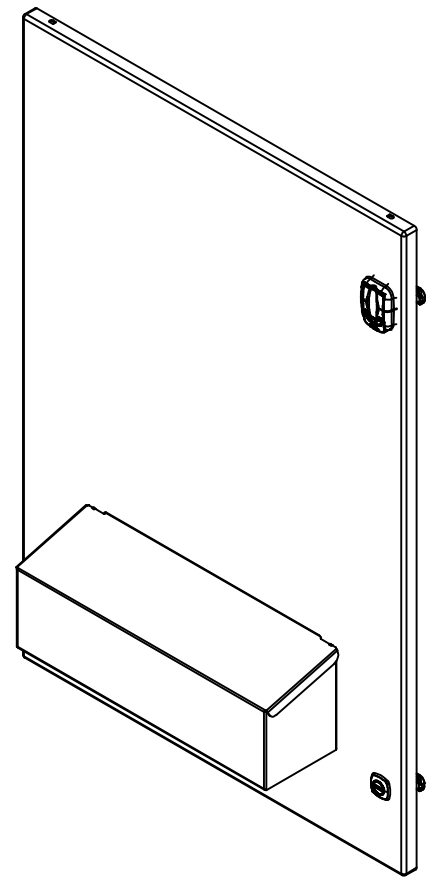
LEFT



FRONT




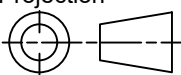
RIGHT



Isometric View



| No. | Revisions | Date | By/Par |
|-----|-----------|------|--------|
|     |           |      |        |
|     |           |      |        |
|     |           |      |        |
|     |           |      |        |

|  |  |   |
|--|--|---|
|  Tél: (450) 979-4373<br>Fax: (450) 979-4626<br><a href="http://www.exmweb.com">www.exmweb.com</a> |  | Flatness<br>Aplatissement<br>Max 3.0mm<br>Projection<br> |
| Customer Client  | Date                                       |   |
| Drawn By<br>Dessiné Par  | BoxCad: BoxCad                             | Date 13-Jun-18  |
| Material<br>Matière  | 14 Ga Cold Rolled A1008 CS Type B (1.7mm)  |   |
| Color<br>Couleur   | White RAL9003<br>(Over Primer STK-P-04752) | Finish<br>Fini Textured   |
| Description  | Detail Rev.                                |   |
| 5300EWB 35" x 24" x 12" Cover  |  |   |
| Part Number<br>Numéro Pièce  | Rev. 7                                     | 9   |
| 5300EWB352412C   |  | 0   |

SEE BILL OF MATERIAL ON LAST PAGE

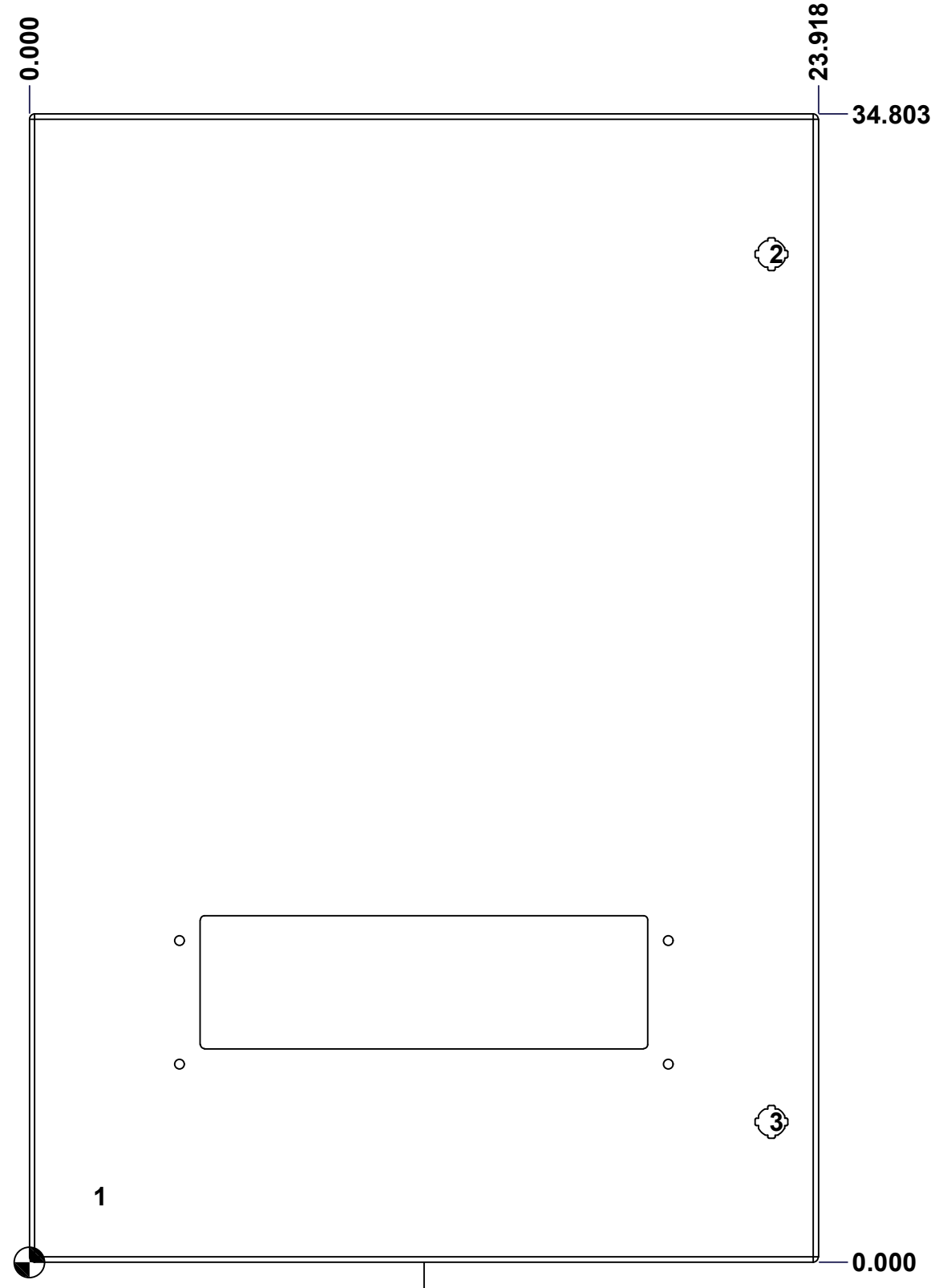
This drawing is confidential and must not be reproduced or used without the consent of EXM

Ce dessin est confidentiel et ne doit pas être reproduit ou utilisé sans le consentement de EXM

**STANDARD FEATURES ARE NOT LISTED IN THIS HOLE TABLE**

**HOLE TABLE - FRONT VIEW (CUSTOM FEATURE ONLY)**

| CUT-OUT | XDIM   | YDIM   | DESCRIPTION                 |
|---------|--------|--------|-----------------------------|
| 1       | 2.000  | 2.000  | GND STUD M6 x 16mm (Inside) |
| 2       | 22.494 | 30.553 | LOCK 880 SCQ4PL-SL @ 0.0°   |
| 3       | 22.494 | 4.250  | LOCK 880 SCQ4-SL @ 0.0°     |



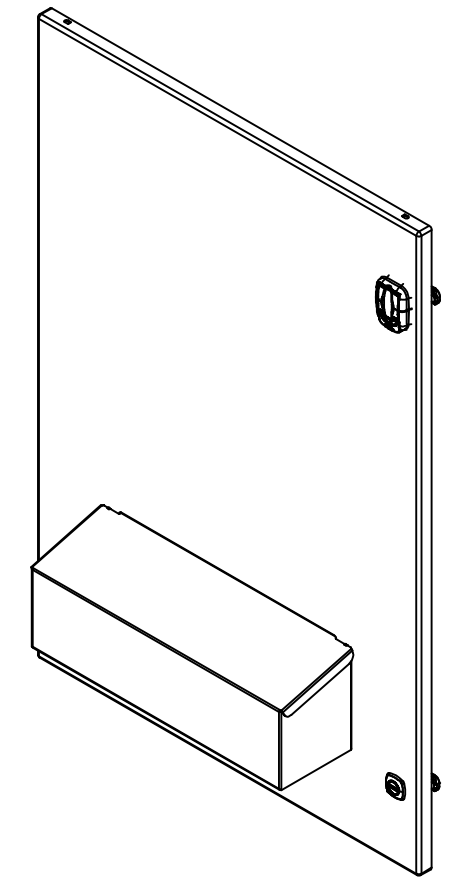
FRONT

|  |                             |          |
|--|-----------------------------|----------|
|  | Description                 | Status   |
|  | 5300EWB 35" x 24" Cover     | (NULL)   |
|  | Part Number<br>Numéro Pièce | Rev.     |
|  | <b>5300EWB352412C</b>       | <b>0</b> |
|  |                             | 8        |
|  |                             | 9        |

This drawing is confidential and must not be reproduced or used without the consent of EXM

Ce dessin est confidentiel et ne doit pas être reproduit ou utilisé sans le consentement de EXM

| No. | Revisions | Date | By/Par |
|-----|-----------|------|--------|
|     |           |      |        |
|     |           |      |        |
|     |           |      |        |
|     |           |      |        |
|     |           |      |        |



Isometric View




 Tél: (450) 979-4373  
 Fax: (450) 979-4626  
[www.exmweb.com](http://www.exmweb.com)

Flatness / Aplatissement: Max 3.0mm  
 Projection: 

|   |                     |    |   |
|---|---------------------|----|---|
| 1 | STK-K-12500         | 19 | 5412 ES 1/4 Turn Lock                               |
| 1 | 880 SCQ4PL-SL       | 3  | 5412 ES Padlockable 1/4 Turn Lock                   |
| 1 | STK-Q-16080         | 0  | Ground Stud M6 x 16mm Steel                         |
| 1 | STK-P-04752         | 0  | Epoxy Primer Gray Powdura EAS6-C0000 (Bottom Layer) |
| 1 | STK-P-02401R        | 0  | Powder Paint (White / Rough Textured)               |
| 1 | 5300EWB352412LPH    | 0  | Filter 14.062" x 4.250"                             |
| 1 | 5300EWB352412FPH239 | 0  | 5300EWB 35" x 24" x 12" Rain Hood                   |
| 1 | 5300EWB352412G      | 0  | 5300EWB 35" x 24" Cover Gasket Part                 |
| 2 | STK-K-09800         | 10 | 5412 ES Hinge with 2 Captive Hinge Pins             |
| 1 | 5300EWB352412C-P    | 0  | 5300EWB 35" x 24" Cover Part                        |

|   |                         |
|---|-------------------------|
| Customer Client   | Date                    |
| Drawn By / Dessiné Par: BoxCad: BoxCad                        | Date: 13-Jun-18         |
| Material / Matière: 14 Ga Cold Rolled A1008 CS Type B (1.7mm) |                         |
| Color / Couleur: White RAL9003 (Over Primer STK-P-04752)      | Finish / Fini: Textured |
| Description: 5300EWB 35" x 24" x 12" Cover                    | Detail Rev.             |
| Part Number / Numéro Pièce: <b>5300EWB352412C</b>             | Rev. 9                  |

| Qty        | Part Name | Rev | Description |
|------------|-----------|-----|-------------|
| Parts List |           |     |             |

|        |   |
|--------|---|
| Rev. 0 | 9 |
|--------|---|