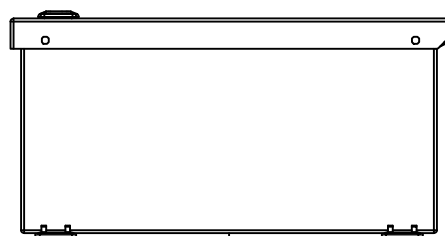
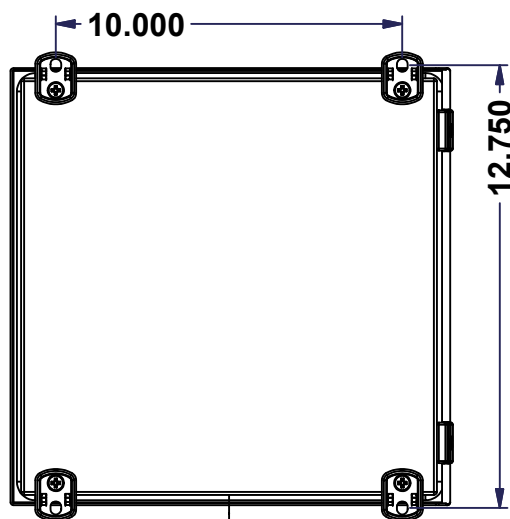


This drawing is confidential and must not be reproduced or used without the consent of EXM

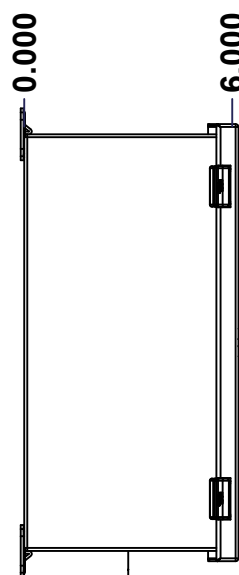
Ce dessin est confidentiel et ne doit pas être reproduit ou utilisé sans le consentement de EXM



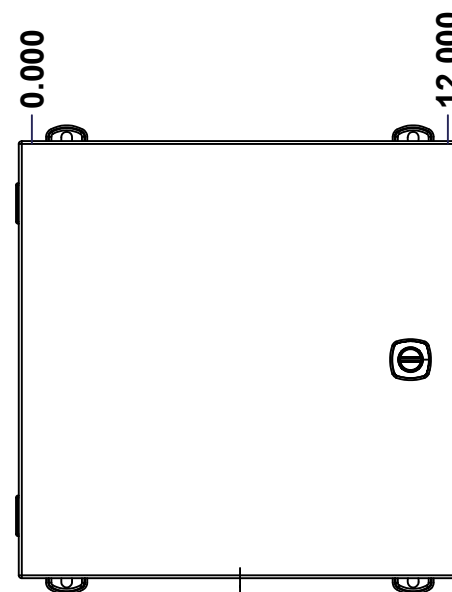
TOP



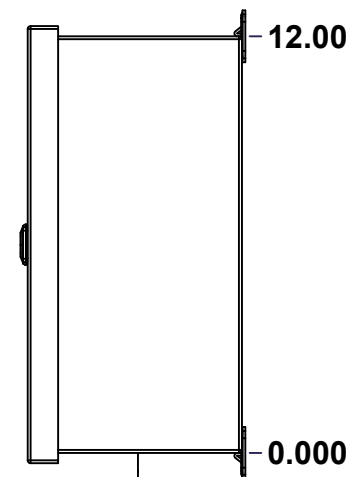
BACK



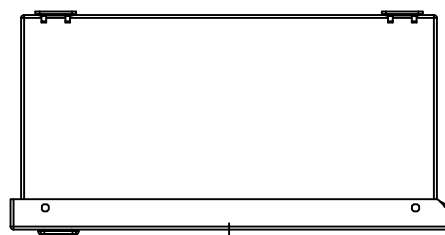
LEFT



FRONT

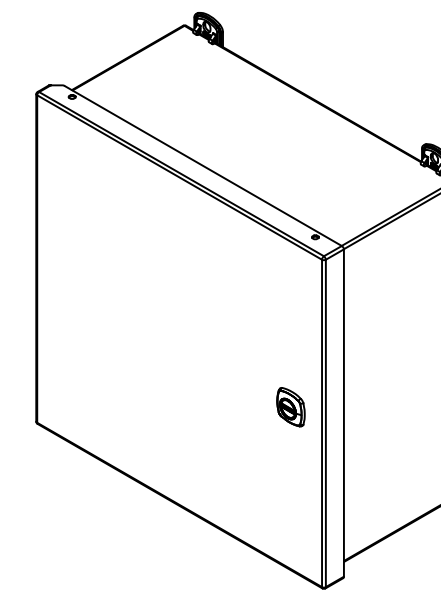


RIGHT



BOTTOM

| No. | Revisions | Date | By/Par |
|-----|-----------|------|--------|
| | | | |
| | | | |
| | | | |
| | | | |



Isometric View



Tél: (450) 979-4373
 Fax: (450) 979-4626
www.exmweb.com

Flatness
Aplatissement
Max 3.0mm
Projection

| | |
|---|---------------------|
| Customer Client | Date |
| Drawn By / Dessiné Par: BoxCad: BoxCad | Date: 10-Jan-14 |
| Material Matière: 16 Ga H.R.P. & O. (1.4mm) | |
| Color Couleur: Asa-61 Grey | Finish Fini: Smooth |
| Description: 5412CH 12" x 12" x 6" Assembly | Detail Rev. |

| | | |
|--|--------|-------|
| Part Number / Numéro Pièce: 5412CH121206 | Rev. 0 | 1 / 2 |
|--|--------|-------|

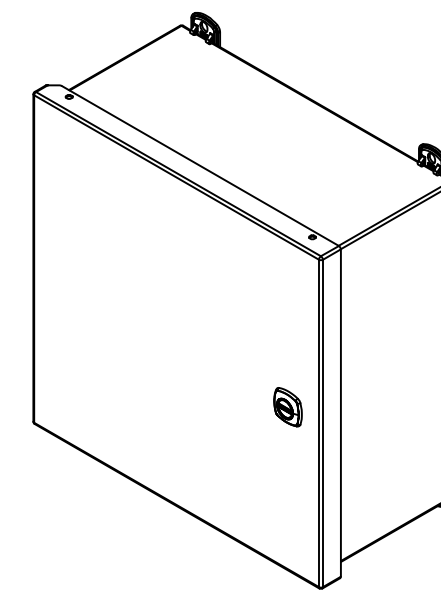
SEE BILL OF MATERIAL ON LAST PAGE

This drawing is confidential and must not be reproduced or used without the consent of EXM

Ce dessin est confidentiel et ne doit pas être reproduit ou utilisé sans le consentement de EXM

| NOTE | |
|------|--|
| ITEM | DESCRIPTION |
| 1 | NEMA 4/12 Enclosure |
| 2 | C/W Standard ground standoffs on box and cover |
| 3 | W/O Standard door stiffener |
| 4 | C/W Standard inner panel (Included) |
| 5 | C/W Standard inner panel mounting standoffs |
| 6 | C/W Mounting feet (Included in kit) |

| No. | Revisions | Date | By/Par |
|-----|-----------|------|--------|
| | | | |
| | | | |
| | | | |
| | | | |
| | | | |
| | | | |



Isometric View



Tél: (450) 979-4373
 Fax: (450) 979-4626
www.exmweb.com

Flatness
Aplatissement
Max 3.0mm
Projection

| | |
|---|-----------------------|
| Customer Client | Date |
| Drawn By / Dessiné Par: BoxCad: BoxCad | Date: 10-Jan-14 |
| Material / Matière: 16 Ga H.R.P. & O. (1.4mm) | |
| Color / Couleur: Asa-61 Grey | Finish / Fini: Smooth |

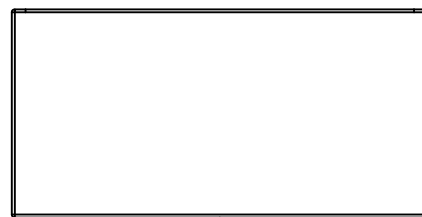
| PACKING | | |
|-----------------|-----|--|
| ITEM | QTY | DESCRIPTION |
| STK-E-04319 | 1 | CARTON 5412 ESCH121206 |
| Plastic bag | 1 | To protect cover surface and inside gasket |
| Packaging label | 1 | White label with product number |
| STK-S-01100 | 1 | ESCH EXM SQUARE STICKER |

| Qty | Part Number | Rev | Description |
|------------|---------------|-----|----------------------------|
| 1 | 5412CH121206C | 0 | 5412CH 12" x 12" Cover |
| 1 | 880 SP1212G | 0 | 880 SP1212G - Inner Panel |
| 1 | STK-K-02940 | 2 | 5412 ESCHB Accessory Kit |
| 1 | 5412CH121206B | 0 | 5412CH 12" x 12" x 6" Body |
| 2 | STK-Q-08100 | 1 | M5 Nylon Insert Lock Nut |
| Parts List | | | |

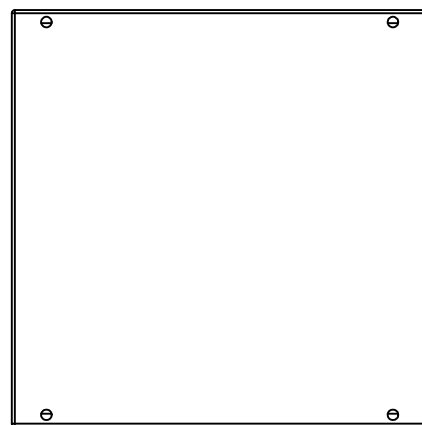
| | |
|---|-------------|
| Description: 5412CH 12" x 12" x 6" Assembly | Detail Rev. |
| Part Number / Numéro Pièce: 5412CH121206 | Rev. 0 |
| | 2 |
| | 2 |

This drawing is confidential and must not be reproduced or used without the consent of EXM

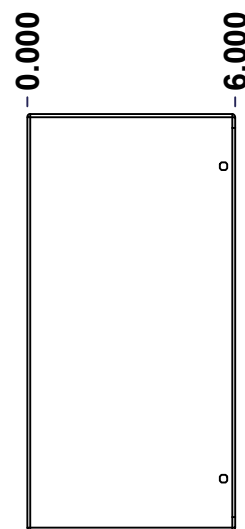
Ce dessin est confidentiel et ne doit pas être reproduit ou utilisé sans le consentement de EXM



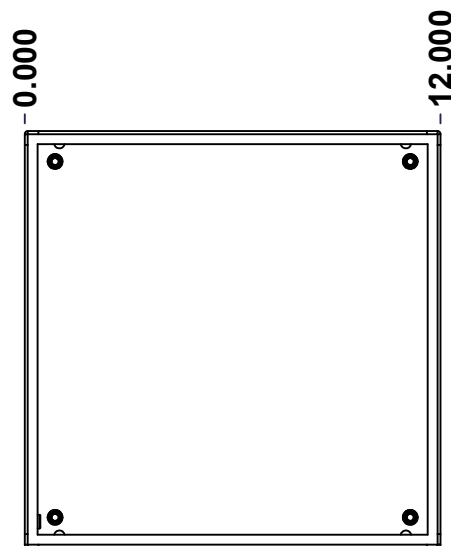
TOP



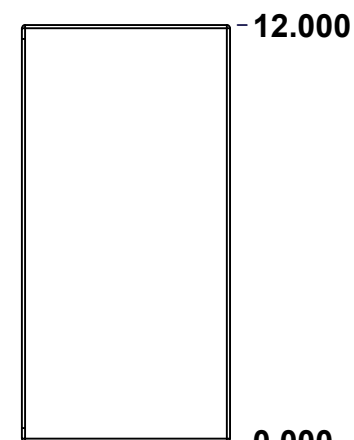
BACK



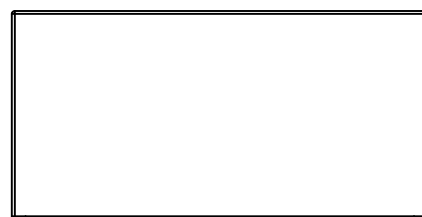
LEFT



FRONT

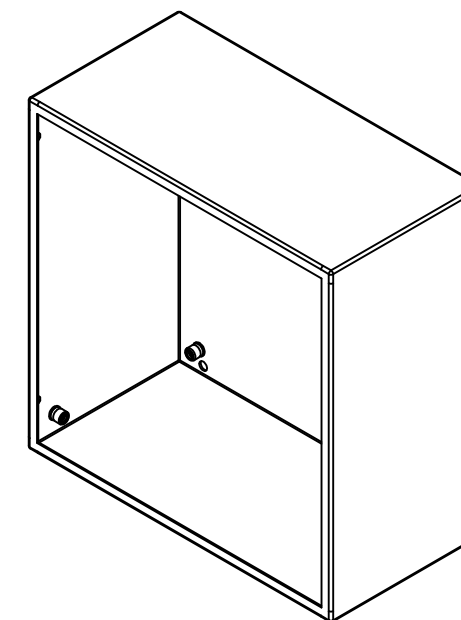


RIGHT



BOTTOM

| No. | Revisions | Date | By/Par |
|-----|-----------|------|--------|
| | | | |
| | | | |
| | | | |
| | | | |
| | | | |



Isometric View



Tél: (450) 979-4373
 Fax: (450) 979-4626
www.exmweb.com

Flatness
Aplatissement

Max 3.0mm

Projection



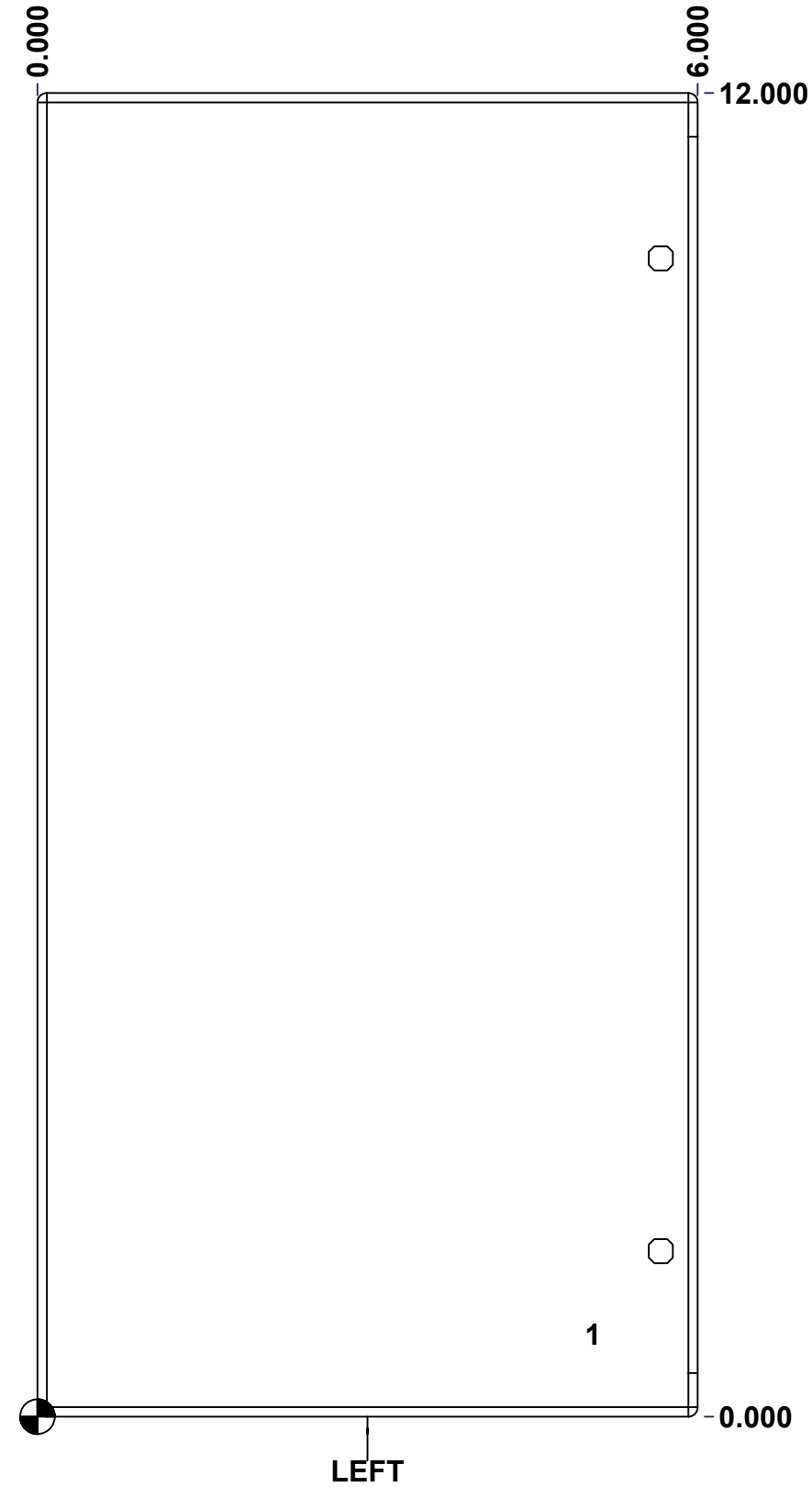
| | |
|---|-----------------------|
| Customer Client | Date |
| Drawn By / Dessiné Par: BoxCad: BoxCad | Date: 10-Jan-14 |
| Material / Matière: 16 Ga H.R.P. & O. (1.4mm) | |
| Color / Couleur: Asa-61 Grey | Finish / Fini: Smooth |
| Description: 5412CH 12" x 12" x 6" Body | |
| Detail Rev. | |
| Part Number / Numéro Pièce: 5412CH121206B | Rev. 0 |
| | 1 / 7 |

SEE BILL OF MATERIAL ON LAST PAGE

This drawing is confidential and must not be reproduced or used without the consent of EXM

Ce dessin est confidentiel et ne doit pas être reproduit ou utilisé sans le consentement de EXM

| STANDARD FEATURES ARE NOT LISTED IN THIS HOLE TABLE | | | |
|--|-------|-------|-----------------------------|
| HOLE TABLE - LEFT VIEW (CUSTOM FEATURE ONLY) | | | |
| CUT-OUT | XDIM | YDIM | DESCRIPTION |
| 1 | 5.000 | 0.750 | STANDOFF M6 x 10mm (Inside) |

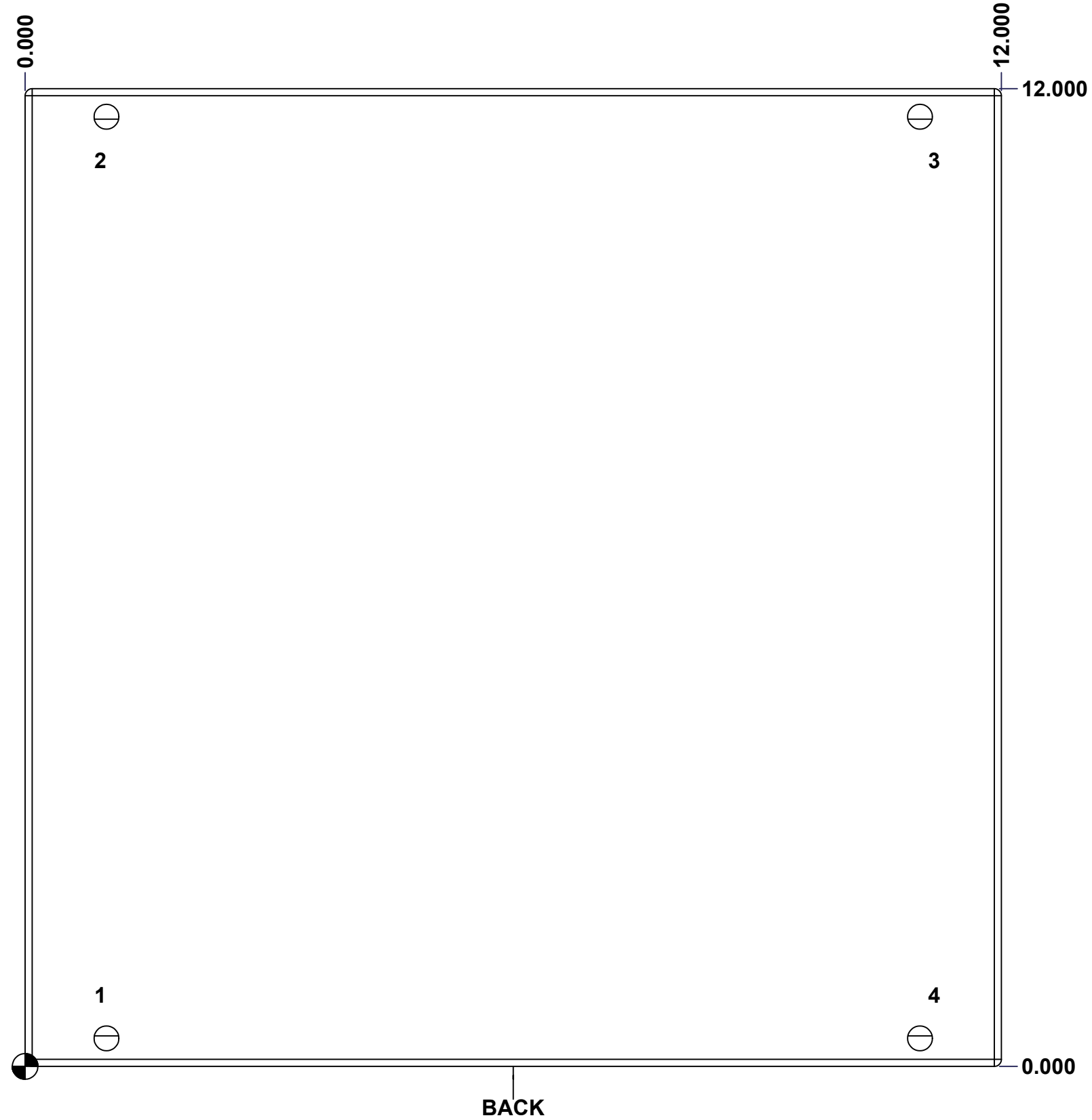


| | | | |
|--|-----------------------------|----------|---|
| | Description | Status | |
| | 5412CH 12" x 12" x 6" Body | (NULL) | |
| | Part Number Numéro Pièce | Rev. | 5 |
| | 5412CH121206B | 0 | 7 |

This drawing is confidential and must not be reproduced or used without the consent of EXM

Ce dessin est confidentiel et ne doit pas être reproduit ou utilisé sans le consentement de EXM

| STANDARD FEATURES ARE NOT LISTED IN THIS HOLE TABLE | | | |
|---|--------|--------|--------------------------------|
| HOLE TABLE - BACK VIEW (CUSTOM FEATURE ONLY) | | | |
| CUT-OUT | XDIM | YDIM | DESCRIPTION |
| 1 | 0.875 | 0.875 | IP STANDOFF M6 x 10mm (Inside) |
| 2 | 0.875 | 11.125 | IP STANDOFF M6 x 10mm (Inside) |
| 3 | 11.125 | 11.125 | IP STANDOFF M6 x 10mm (Inside) |
| 4 | 11.125 | 0.875 | IP STANDOFF M6 x 10mm (Inside) |

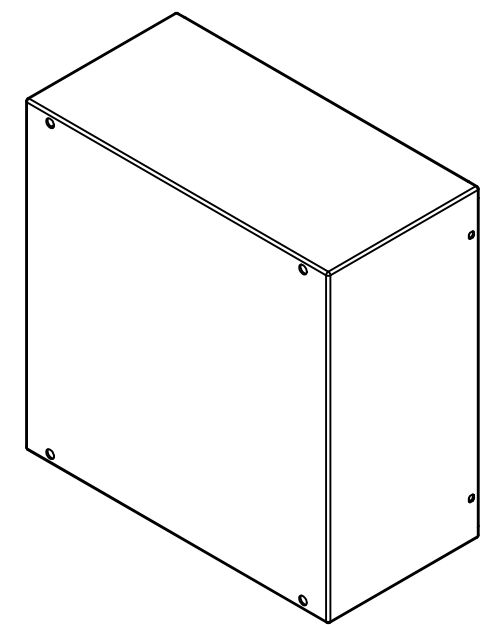


| | | |
|--|-----------------------------|----------|
| | Description | Status |
| | 5412CH 12" x 12" x 6" Body | (NULL) |
| | Part Number Numéro Pièce | Rev. |
| | 5412CH121206B | 0 |
| | | 6 |
| | | 7 |

This drawing is confidential and must not be reproduced or used without the consent of EXM


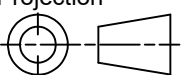
Ce dessin est confidentiel et ne doit pas être reproduit ou utilisé sans le consentement de EXM

| No. | Revisions | Date | By/Par |
|-----|-----------|------|--------|
| | | | |
| | | | |
| | | | |
| | | | |
| | | | |



Isometric View



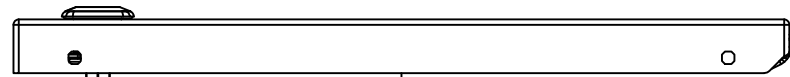
| | | |
|--|----------------------------|---|
|  Tél: (450) 979-4373 Fax: (450) 979-4626 www.exmweb.com | | Flatness Aplatissement Max 3.0mm Projection  |
| Customer Client | Date | |
| Drawn By Dessiné Par | BoxCad: BoxCad | Date 10-Jan-14 |
| Material Matière | 16 Ga H.R.P. & O. (1.4mm) | |
| Color Couleur | Asa-61 Grey | Finish Fini Smooth |
| Description | 5412CH 12" x 12" x 6" Body | Detail Rev. |
| Part Number Numéro Pièce | 5412CH121206B | Rev. 0 |

| Qty | Part_Number | Rev | Description |
|------------|-----------------|-----|-------------------------------------|
| 1 | 5412CH121206B-P | 0 | 5412CH 12" x 12" x 6" Body Part |
| 1 | STK-P-02400S | 0 | Powder Paint (Asa-61 Grey / Smooth) |
| 5 | STK-Q-08350 | 5 | Standoff M6 x 10mm |
| Parts List | | | |

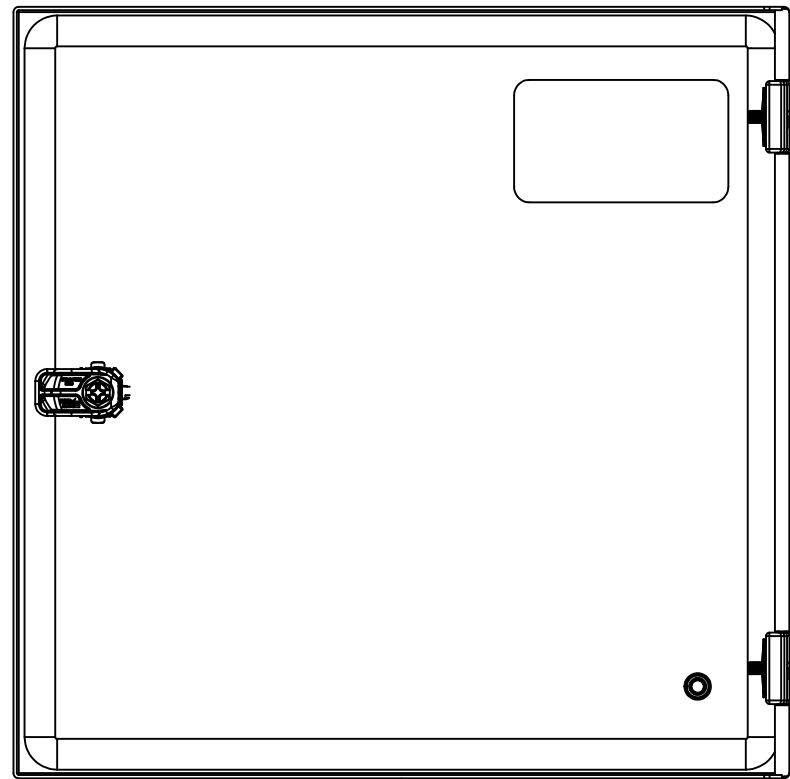
| |
|---|
| 7 |
| 7 |

This drawing is confidential and must not be reproduced or used without the consent of EXM

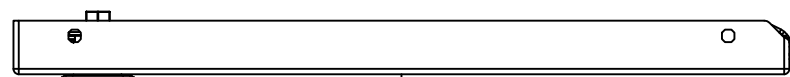
Ce dessin est confidentiel et ne doit pas être reproduit ou utilisé sans le consentement de EXM



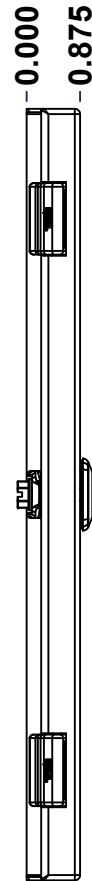
TOP



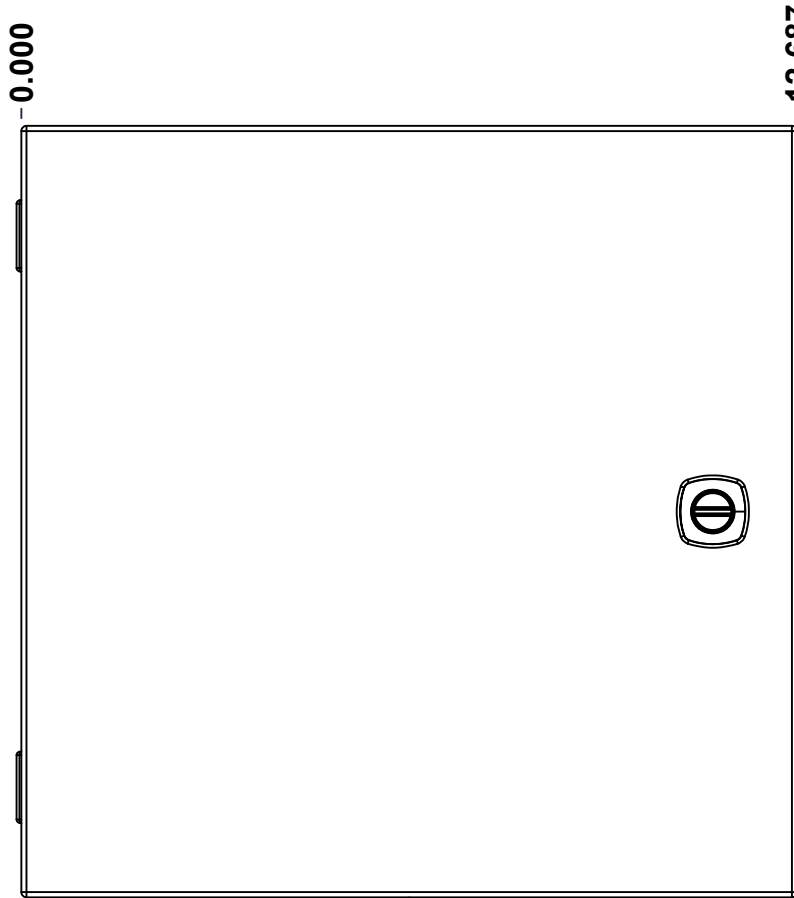
BACK



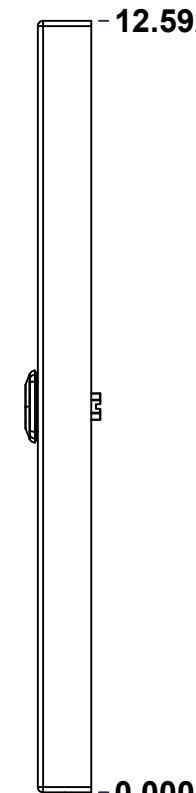
BOTTOM



LEFT

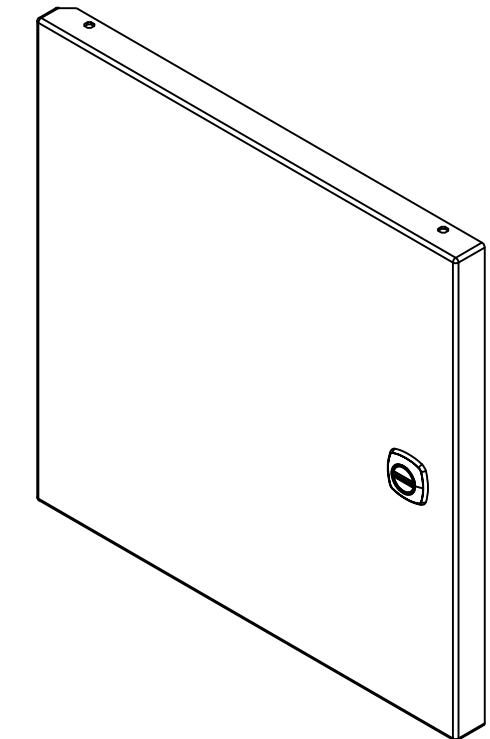


FRONT




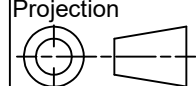
RIGHT

| No. | Revisions | Date | By/Par |
|-----|-----------|------|--------|
| | | | |
| | | | |
| | | | |
| | | | |



Isometric View



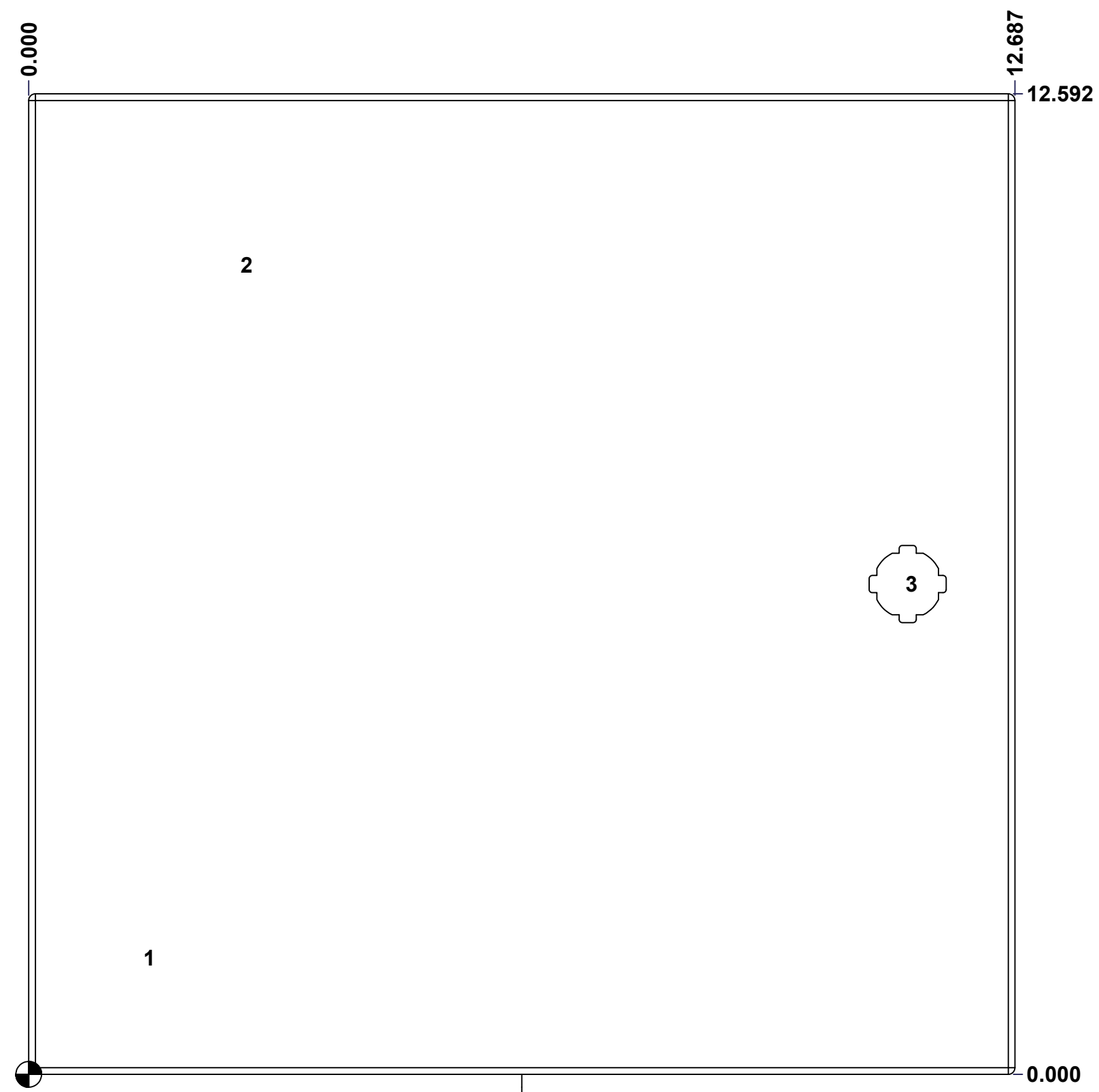
| | | |
|--|---------------------------|---|
|  Tél: (450) 979-4373 Fax: (450) 979-4626 www.exmweb.com | | Flatness Aplatissement Max 3.0mm Projection  |
| Customer Client | Date | |
| Drawn By Dessiné Par | BoxCad: BoxCad | Date 10-Jan-14 |
| Material Matière | 16 Ga H.R.P. & O. (1.4mm) | |
| Color Couleur | Asa-61 Grey | Finish Fini Smooth |
| Description | Detail Rev. | |
| 5412CH 12" x 12" Cover | | |
| Part Number Numéro Pièce | Rev. 0 | 1/3 |
| 5412CH121206C | | |

SEE BILL OF MATERIAL ON LAST PAGE

This drawing is confidential and must not be reproduced or used without the consent of EXM

Ce dessin est confidentiel et ne doit pas être reproduit ou utilisé sans le consentement de EXM

| STANDARD FEATURES ARE NOT LISTED IN THIS HOLE TABLE | | | |
|---|--------|--------|-----------------------------|
| HOLE TABLE - FRONT VIEW (CUSTOM FEATURE ONLY) | | | |
| CUT-OUT | XDIM | YDIM | DESCRIPTION |
| 1 | 1.500 | 1.500 | STANDOFF M6 x 10mm (Inside) |
| 2 | 2.750 | 10.400 | LABEL_EXM (Inside) |
| 3 | 11.307 | 6.296 | LOCK 880 SCQ4CH-SL @ 180.0° |



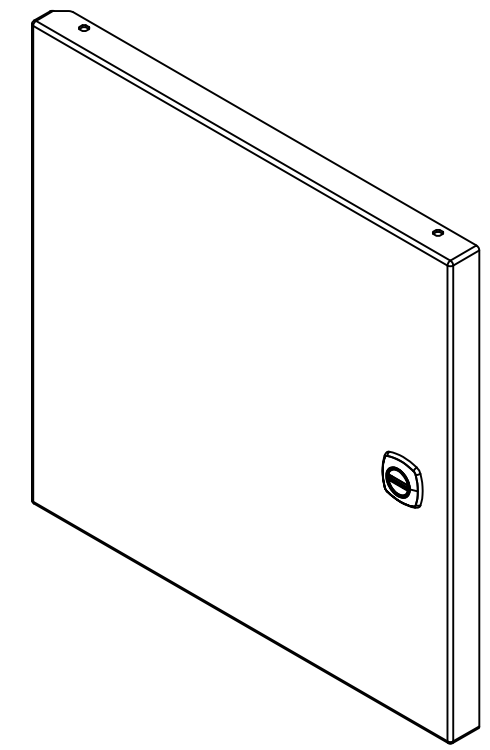
FRONT

| | | | |
|--|--------------------------------|----------|--------|
| | Description | Status | |
| | 5412CH 304.8mm x 304.8mm Cover | (NULL) | |
| | Part Number Numéro Pièce | Rev. | |
| | 5412CH121206C | 0 | 2 3 |

This drawing is confidential and must not be reproduced or used without the consent of EXM


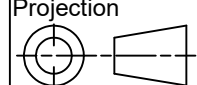
Ce dessin est confidentiel et ne doit pas être reproduit ou utilisé sans le consentement de EXM

| No. | Revisions | Date | By/Par |
|-----|-----------|------|--------|
| | | | |
| | | | |
| | | | |
| | | | |
| | | | |



Isometric View

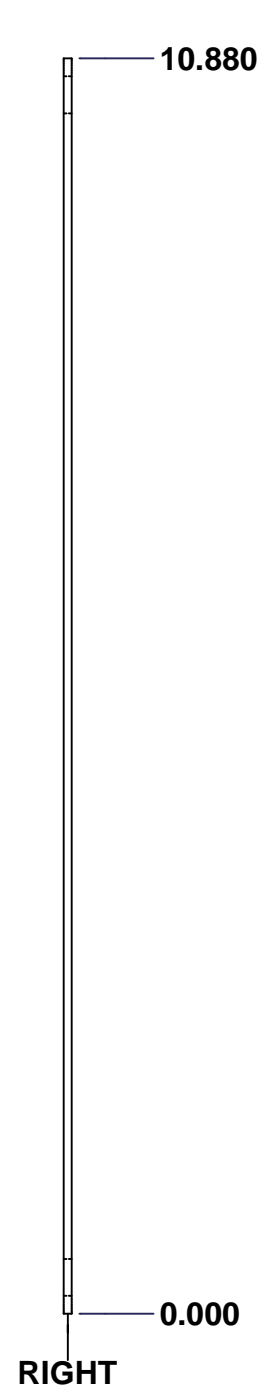
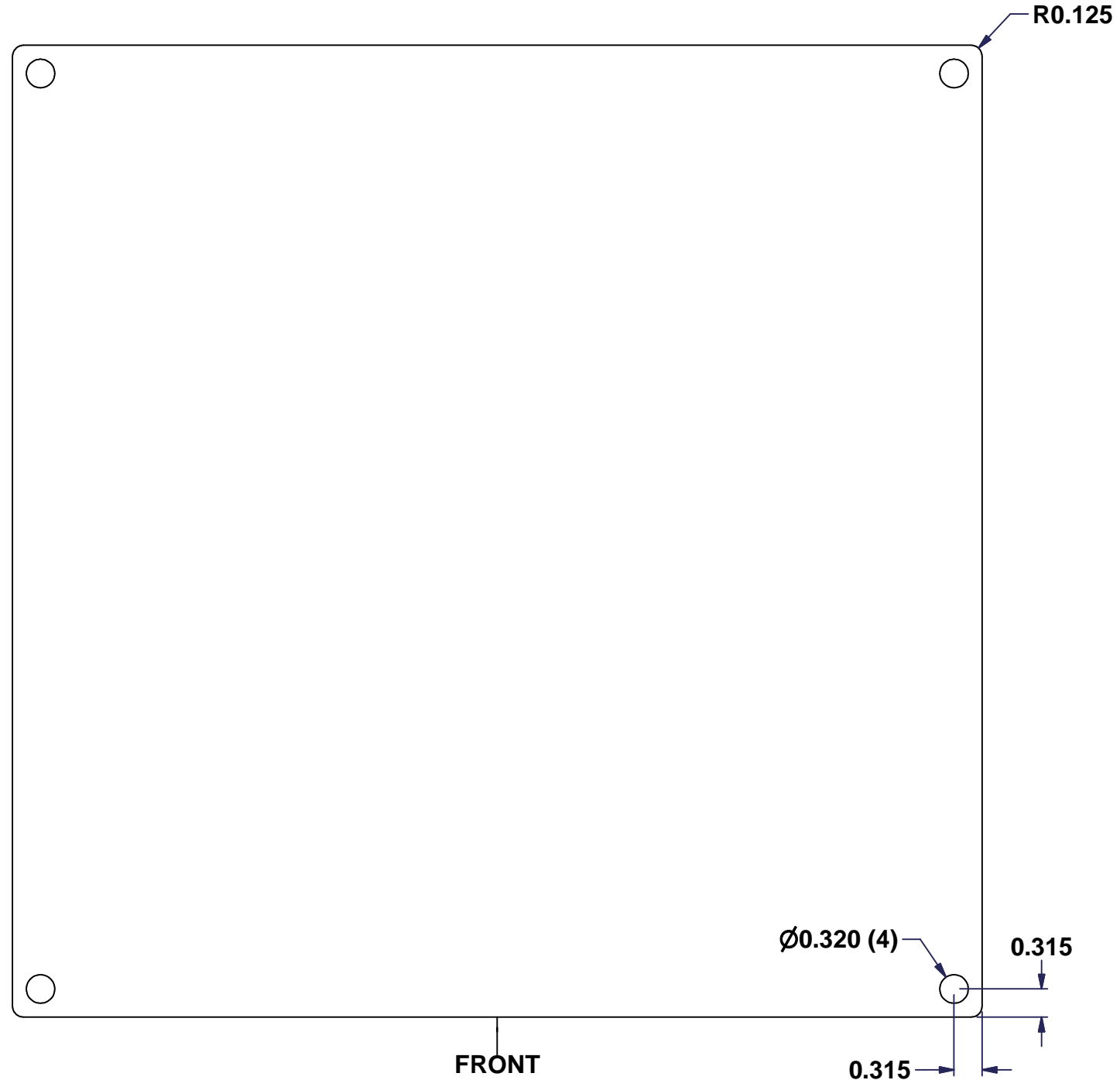
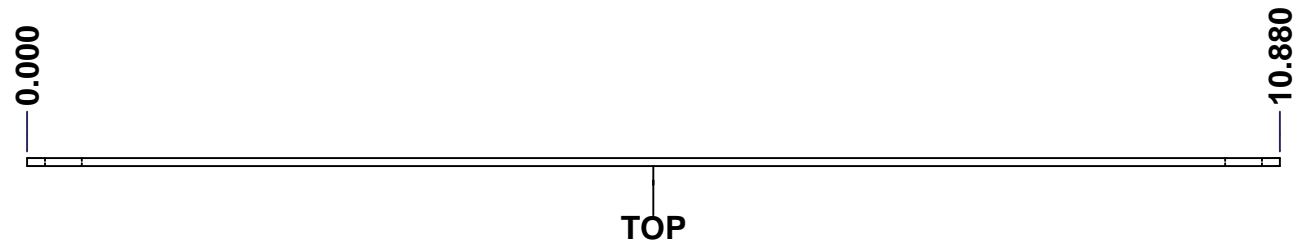


| | | |
|--|---------------------------|---|
|  Tél: (450) 979-4373 Fax: (450) 979-4626 www.exmweb.com | | Flatness Aplatissement Max 3.0mm Projection  |
| Customer Client | Date | |
| Drawn By Dessiné Par | BoxCad: BoxCad | Date 10-Jan-14 |
| Material Matière | 16 Ga H.R.P. & O. (1.4mm) | |
| Color Couleur | Asa-61 Grey | Finish Fini Smooth |
| Description | | Detail Rev. |
| 5412CH 12" x 12" Cover | | |
| Part Number Numéro Pièce | Rev. | 3 |
| 5412CH121206C | 0 | 3 |

| Qty | Part Number | Rev | Description |
|------------|-----------------|-----|--|
| 1 | 5412CH121206G | 0 | 5412CH 12" x 12" Gasket |
| 1 | 880 SCQ4CH-SL | 0 | 5412 CH 1/4 Turn Lock |
| 1 | STK-S-00100 | 0 | 3.5" x 2" Silver Milar Flexcon Sticker |
| 1 | STK-Q-08350 | 5 | Standoff M6 x 10mm |
| 1 | STK-P-02400S | 0 | Powder Paint (Asa-61 Grey / Smooth) |
| 1 | 5412CH121206C-P | 0 | 5412CH 304.8mm x 304.8mm Cover Part |
| 2 | STK-A-33033 | 4 | 5412 ESMCH Hinge |
| Parts List | | | |

This drawing is confidential and must not be reproduced or used without the consent of EXM

Ce dessin est confidentiel et ne doit pas être reproduit ou utilisé sans le consentement de EXM



| No. | Revisions | Date | By/Par |
|-----|-----------|------|--------|
| | | | |
| | | | |
| | | | |
| | | | |

Isometric View

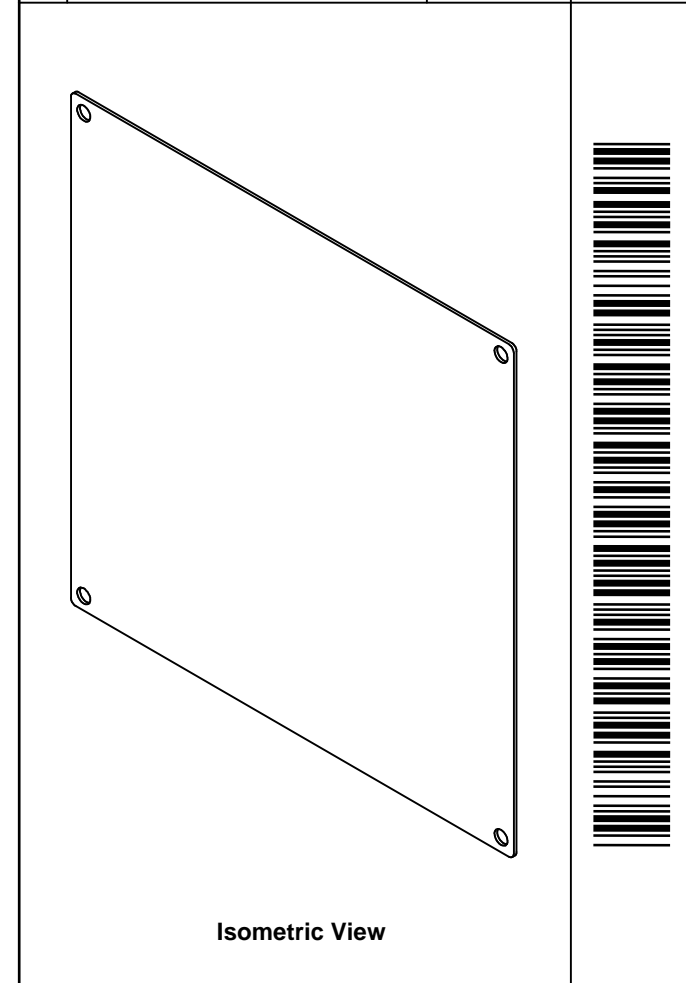
| | | | |
|--|-----------|--|------------|
| Tél: (450) 979-4373 Fax: (450) 979-4626 www.exmweb.com | | Flatness Aplatissement Max 3.0mm | |
| | | Projection | |
| Customer Client | | Date | |
| Drawn By Dessiné Par BoxCad | | Date 23-Jan-07 | |
| Material Matière | | 14 Ga Galvanized (1.7mm) | |
| Color Couleur | Unpainted | Finish Fini | Galvanized |
| Description | | Detail Rev. | |
| 880 SP1212G - Inner Panel | | | |
| Part Number Numéro Pièce | | Rev. | 1 |
| 880 SP1212G | | 0 | 2 |


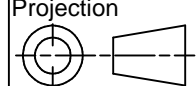
SEE BILL OF MATERIAL ON LAST PAGE

This drawing is confidential and must not be reproduced or used without the consent of EXM

Ce dessin est confidentiel et ne doit pas être reproduit ou utilisé sans le consentement de EXM

| No. | Revisions | Date | By/Par |
|-----|-----------|------|--------|
| | | | |
| | | | |
| | | | |
| | | | |
| | | | |



| | | |
|--|--------------------------|---|
|  Tél: (450) 979-4373 Fax: (450) 979-4626 www.exmweb.com | | Flatness Aplatissement Max 3.0mm Projection  |
| Customer Client | Date | |
| Drawn By Dessiné Par | BoxCad | Date 23-Jan-07 |
| Material Matière | 14 Ga Galvanized (1.7mm) | |
| Color Couleur | Unpainted | Finish Fini Galvanized |
| Description 880 SP1212G - Inner Panel | | Detail Rev. |
| Part Number Numéro Pièce | 880 SP1212G | Rev. 0 |
| | | 2 |

| Qty | Part Number | Rev | Description |
|------------|---------------|-----|--------------------------------|
| 1 | 880 SP1212G-P | 0 | 880 SP1212G - Inner Panel Part |
| Parts List | | | |