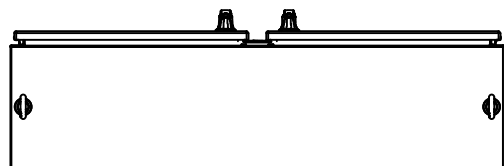
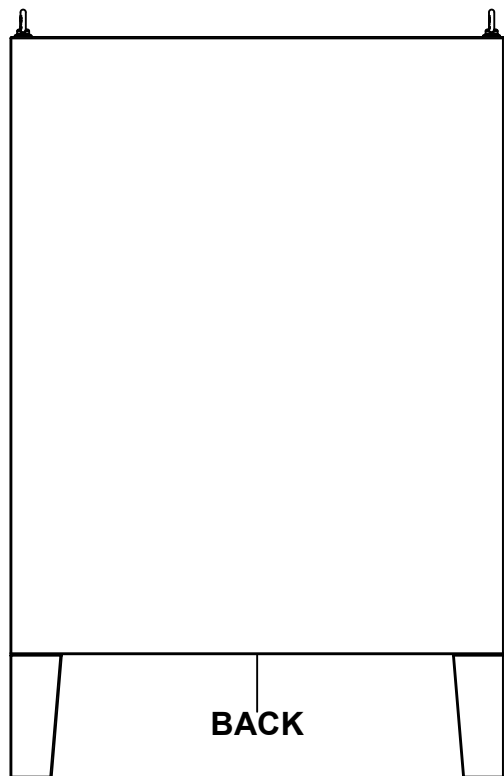


This drawing is confidential and must not be reproduced or used without the consent of EXM

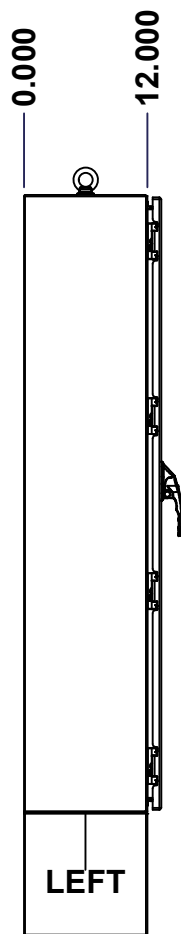
Ce dessin est confidentiel et ne doit pas être reproduit ou utilisé sans le consentement de EXM



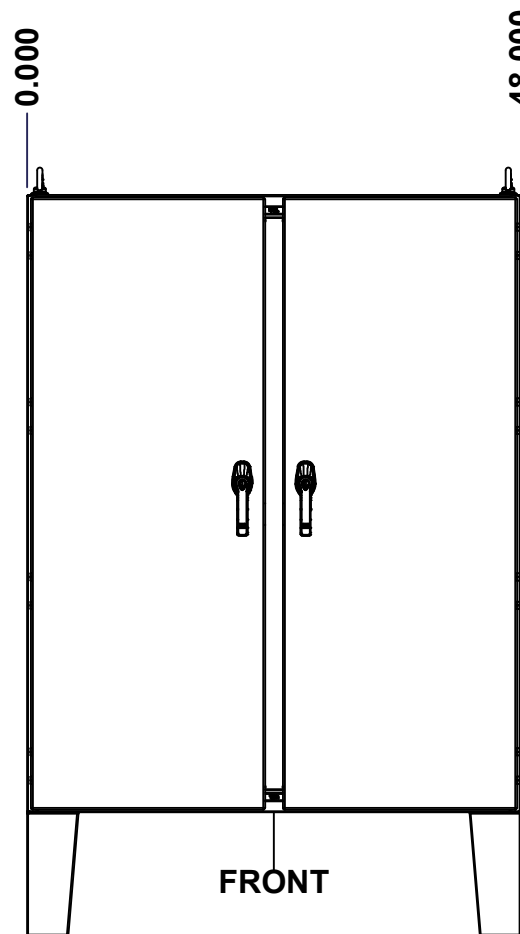
TOP



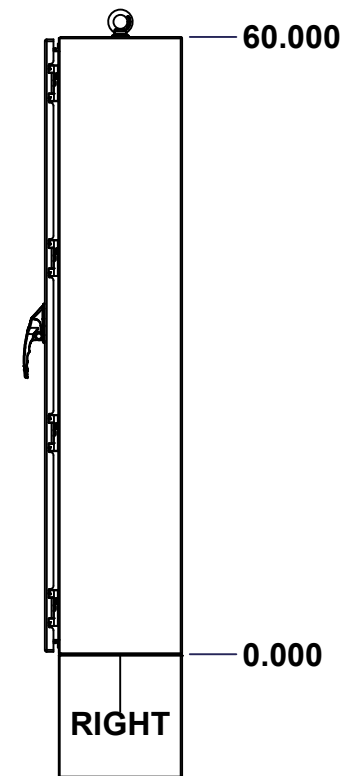
BACK



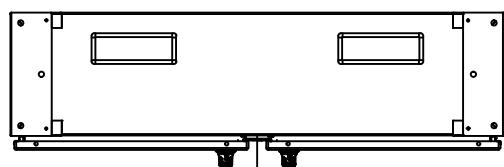
LEFT



FRONT

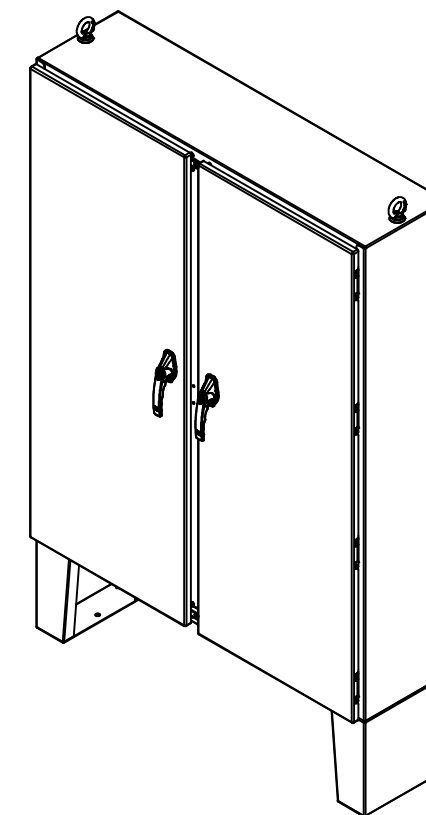


RIGHT



BOTTOM

No.	Revisions	Date	By/Par



Isometric View



Tél: (450) 979-4373  
 Fax: (450) 979-4626  
[www.exmweb.com](http://www.exmweb.com)

Flatness  
Aplatissement

Max 3.0mm

Projection



Customer Client	Date
Drawn By Dessiné Par BoxCad: BoxCad	Date 25-Oct-24
Material Matière 12 Ga Cold Rolled A1008 CS Type B (2.5mm)	
Color Couleur Asa-61 Grey	Finish Fini Smooth
Description 5412DDH 60" x 48" x 12" Assembly	Detail Rev.
Part Number Numéro Pièce 5412DDH604812	Rev. 0

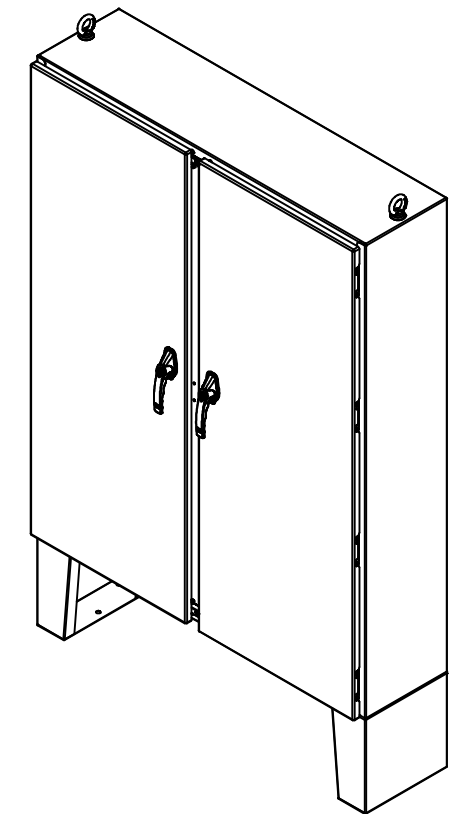
SEE BILL OF MATERIAL ON LAST PAGE

This drawing is confidential and must not be reproduced or used without the consent of EXM

Ce dessin est confidentiel et ne doit pas être reproduit ou utilisé sans le consentement de EXM

NOTE	
ITEM	DESCRIPTION
1	NEMA 4, 12 Enclosure (IP66)
2	C/W Standard ground studs on box and cover
3	W/O Standard door stiffener
4	C/W Standard inner panel (Sold separately)
5	C/W Standard inner panel mounting studs
6	C/W Eyebolts sold separately (Installed by EXM)
7	C/W Mounting feet sold separately (Installed)
8	C/W Special handle sold separately (Kit)
9	C/W Struts installed (Included)
10	C/W Interlock Kit (Installed by EXM)

No.	Revisions	Date	By/Par



Isometric View


 Tél: (450) 979-4373  
 Fax: (450) 979-4626  
[www.exmweb.com](http://www.exmweb.com)

Flatness  
 Aplatissement  
 Max 3.0mm  
 Projection  


PACKING		
ITEM	QTY	DESCRIPTION
Cardboard sleeve	2	Top and Bottom
Cardboard strip	2	Between back of enclosure and inner panel
Plastic bag	1	To protect cover surface and inside gasket
Cardboard corner	4	To reinforced for the plastic strap tightening
Plastic strap - Black	2	To Squeeze the 2 cardboard sleeve together
Packaging label	3	White label with PN
Plastic strap- Green	2	To secure the enclosure to the wood pallet
Wood Pallet	1	2" deeper and 3" larger than enclosure size

1	885MFHD1212	0	885 MFHD 12" x 12" Mounting Feet
1	880EB14	2	Eye Bolt M14 (Pack of 2)
2	5412DDH604812GP	0	5412DDH Gland Plate
1	880INTI	4	880 INTI - Interlock Post Kit
8	STK-Q-07320	0	Flange Lock Nut M10
1	885SP6048G	0	885 SP6048G Inner Panel
8	STK-Q-07620	0	M10 Plastic Spacer 0.875"
8	STK-Q-04050-10	8	M6 x 10mm Hexagon Socket Head Machine Screw with Nyseal
1	5412DDH604812FD	0	5412DDH 60" x 48" Master Door
1	5412DDH604812LD	0	5412DDH 60" x 48" Slave Door
1	5412DDH604812B	0	5412DDH 60" x 48" x 12" Body
Qty	Part Number	Rev	Description
Parts List			

Customer Client

Drawn By Dessiné Par: BoxCad: BoxCad

Material Matière: 12 Ga Cold Rolled A1008 CS Type B (2.5mm)

Color Couleur: Asa-61 Grey

Finish Fini: Smooth

Description: 5412DDH 60" x 48" x 12" Assembly

Part Number Numéro Pièce: **5412DDH604812**

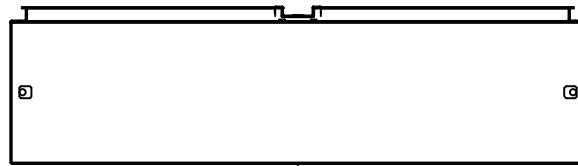
Date: 25-Oct-24

Detail Rev.:

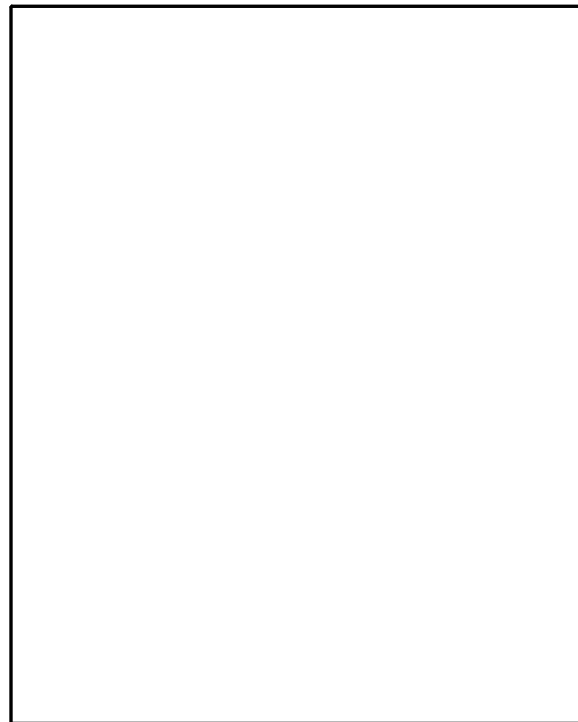
Rev.	2
	18

This drawing is confidential and must not be reproduced or used without the consent of EXM

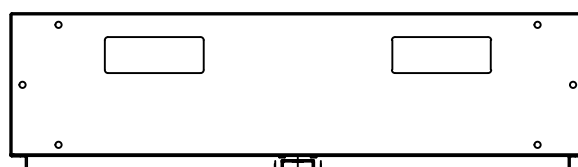
Ce dessin est confidentiel et ne doit pas être reproduit ou utilisé sans le consentement de EXM



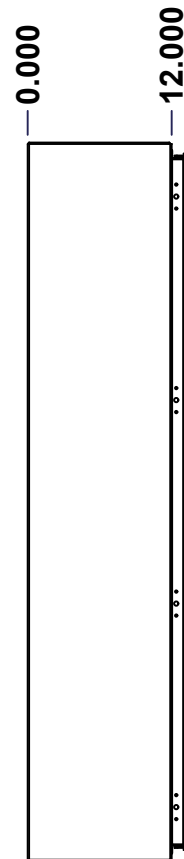
TOP



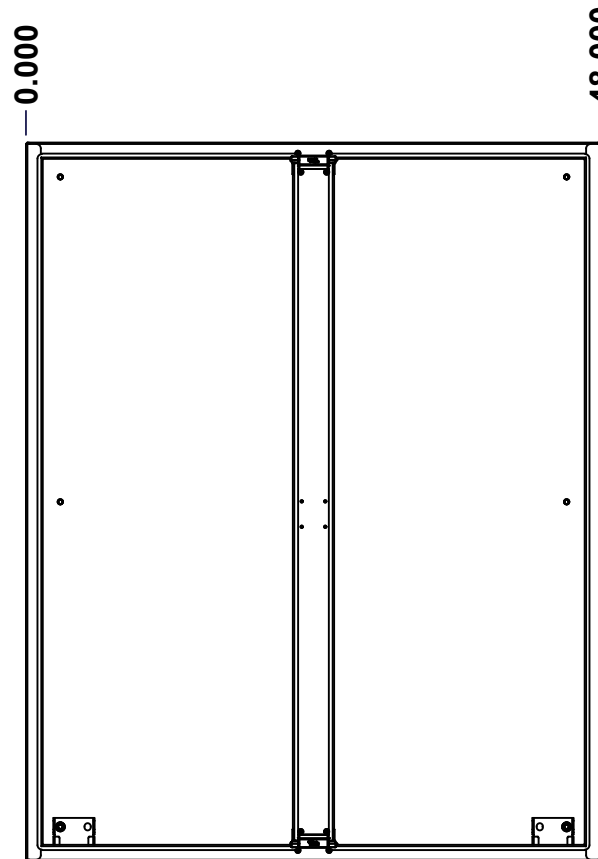
BACK



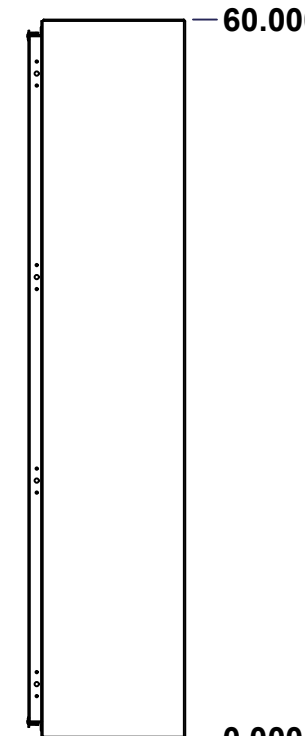
BOTTOM



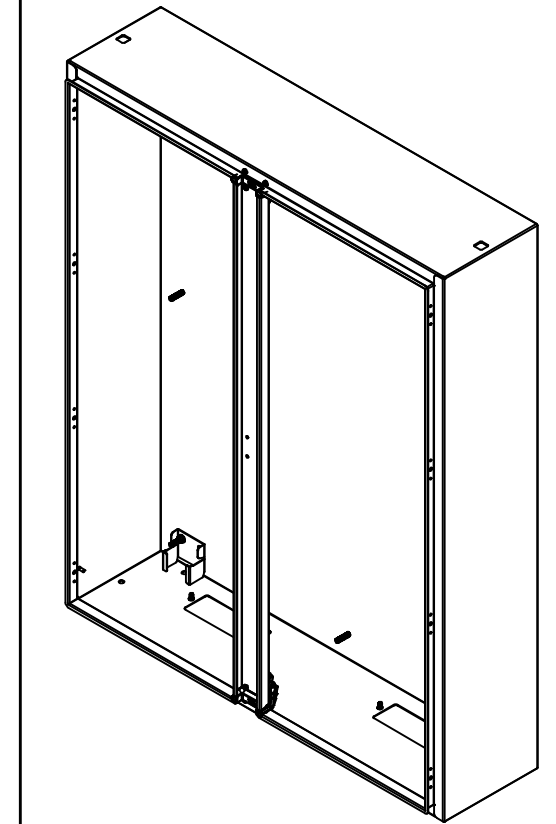
LEFT



FRONT




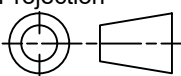
RIGHT



Isometric View



No.	Revisions	Date	By/Par

 Tél: (450) 979-4373 Fax: (450) 979-4626 <a href="http://www.exmweb.com">www.exmweb.com</a>		Flatness Aplatissement Max 3.0mm Projection 
Customer Client	Date	
Drawn By Dessiné Par	BoxCad: BoxCad	Date 25-Oct-24
Material Matière	12 Ga Cold Rolled A1008 CS Type B (2.5mm)	
Color Couleur	Asa-61 Grey	Finish Fini Smooth
Description	Detail Rev.	
5412DDH 60" x 48" x 12" Body		
Part Number Numéro Pièce	Rev.	3
5412DDH604812B	0	18

SEE BILL OF MATERIAL ON LAST PAGE

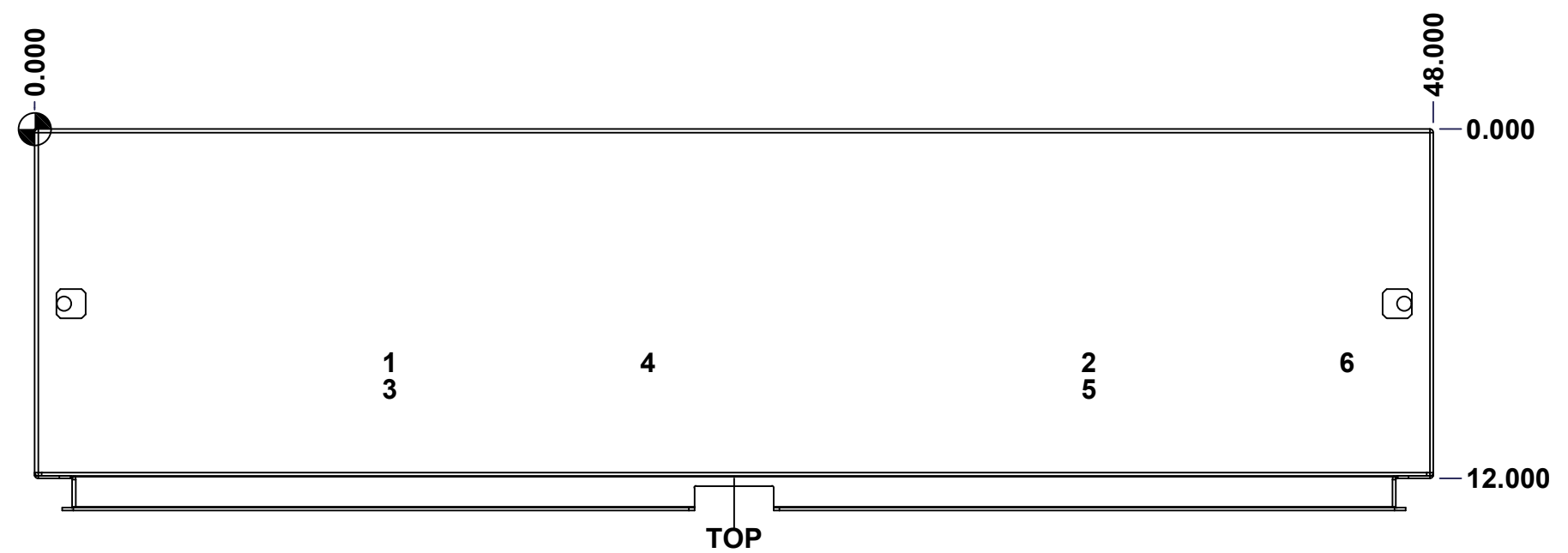
This drawing is confidential and must not be reproduced or used without the consent of EXM

Ce dessin est confidentiel et ne doit pas être reproduit ou utilisé sans le consentement de EXM

**STANDARD FEATURES ARE NOT LISTED IN THIS HOLE TABLE**

**HOLE TABLE - TOP VIEW (CUSTOM FEATURE ONLY)**

CUT-OUT	XDIM	YDIM	DESCRIPTION
1	12.000	8.000	Struts CR400 17.500" (Inside)
2	36.000	8.000	Struts CR400 17.500" (Inside)
3	12.000	8.929	STUDS M6 x 10mm (Inside)
4	20.866	8.000	STUDS M6 x 10mm (Inside)
5	36.000	8.929	STUDS M6 x 10mm (Inside)
6	44.866	8.000	STUDS M6 x 10mm (Inside)

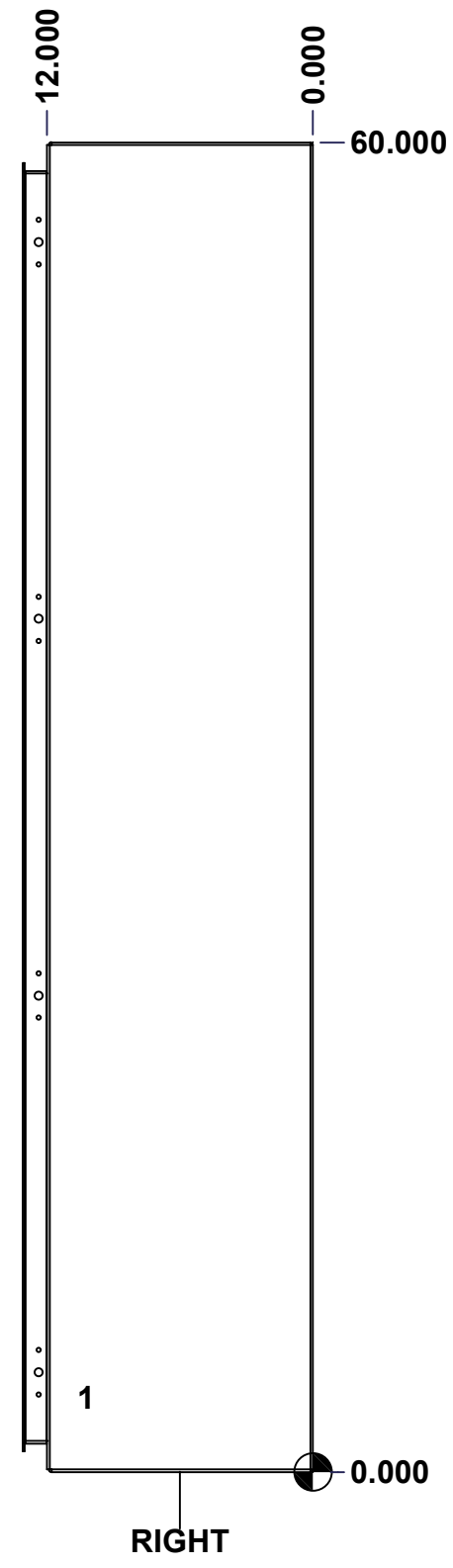


	Description	Status	
	5412DDH 60" x 48" x 12" Body	(NULL)	
	Part Number Numéro Pièce	Rev.	
	<b>5412DDH604812B</b>	<b>0</b>	4
			18

This drawing is confidential and must not be reproduced or used without the consent of EXM

Ce dessin est confidentiel et ne doit pas être reproduit ou utilisé sans le consentement de EXM

STANDARD FEATURES ARE NOT LISTED IN THIS HOLE TABLE			
HOLE TABLE - RIGHT VIEW (CUSTOM FEATURE ONLY)			
CUT-OUT	XDIM	YDIM	DESCRIPTION
1	10.500	3.375	GND STUD M6 x 16mm (Inside)



	Description	Status
	5412DDH 60" x 48" x 12" Body	(NULL)
	Part Number Numéro Pièce	Rev.
	<b>5412DDH604812B</b>	<b>0</b> / 5
		18

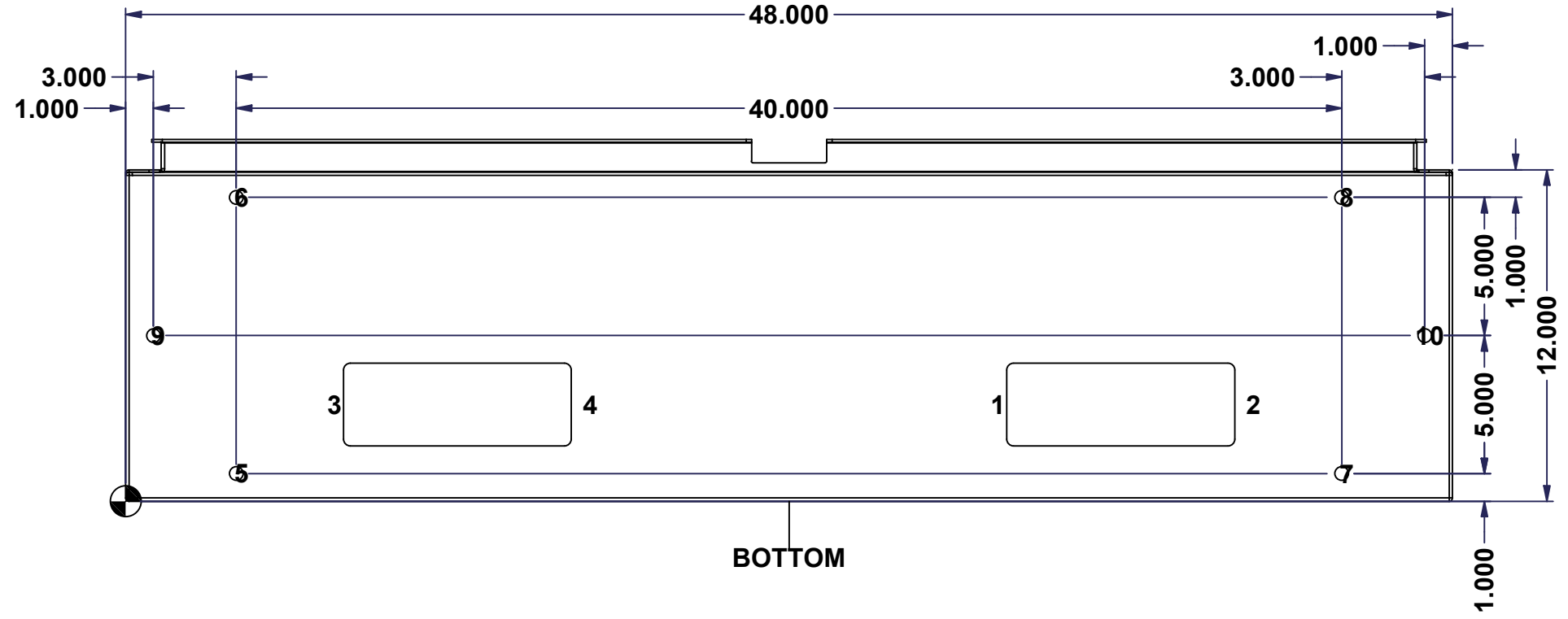
This drawing is confidential and must not be reproduced or used without the consent of EXM

Ce dessin est confidentiel et ne doit pas être reproduit ou utilisé sans le consentement de EXM

**STANDARD FEATURES ARE NOT LISTED IN THIS HOLE TABLE**

**HOLE TABLE - BOTTOM VIEW (CUSTOM FEATURE ONLY)**

CUT-OUT	XDIM	YDIM	DESCRIPTION
1	31.375	3.500	GP STUD M6 x 16mm (Inside)
2	40.625	3.500	GP STUD M6 x 16mm (Inside)
3	7.375	3.500	GP STUD M6 x 16mm (Inside)
4	16.625	3.500	GP STUD M6 x 16mm (Inside)
-----			
5	4.000	1.000	RND Ø0.500
6	4.000	11.000	RND Ø0.500
7	44.000	1.000	RND Ø0.500
8	44.000	11.000	RND Ø0.500
9	1.000	6.000	RND Ø0.500
10	47.000	6.000	RND Ø0.500

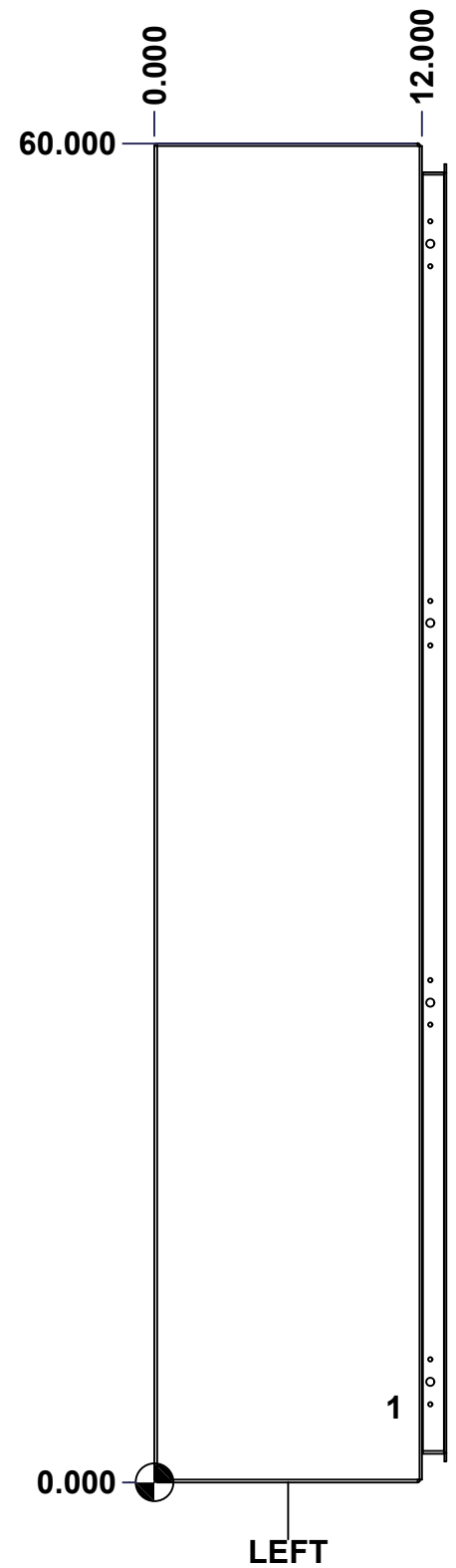


	Description	Status	
	5412DDH 60" x 48" x 12" Body	(NULL)	
	Part Number Numéro Pièce	Rev.	6
	<b>5412DDH604812B</b>	<b>0</b>	18

This drawing is confidential and must not be reproduced or used without the consent of EXM

Ce dessin est confidentiel et ne doit pas être reproduit ou utilisé sans le consentement de EXM

<b>STANDARD FEATURES ARE NOT LISTED IN THIS HOLE TABLE</b>			
<b>HOLE TABLE - LEFT VIEW (CUSTOM FEATURE ONLY)</b>			
CUT-OUT	XDIM	YDIM	DESCRIPTION
1	10.500	3.375	GND STUD M6 x 16mm (Inside)



	Description	Status	
	5412DDH 60" x 48" x 12" Body	(NULL)	
	Part Number Numéro Pièce	Rev.	7
	<b>5412DDH604812B</b>	<b>0</b>	18

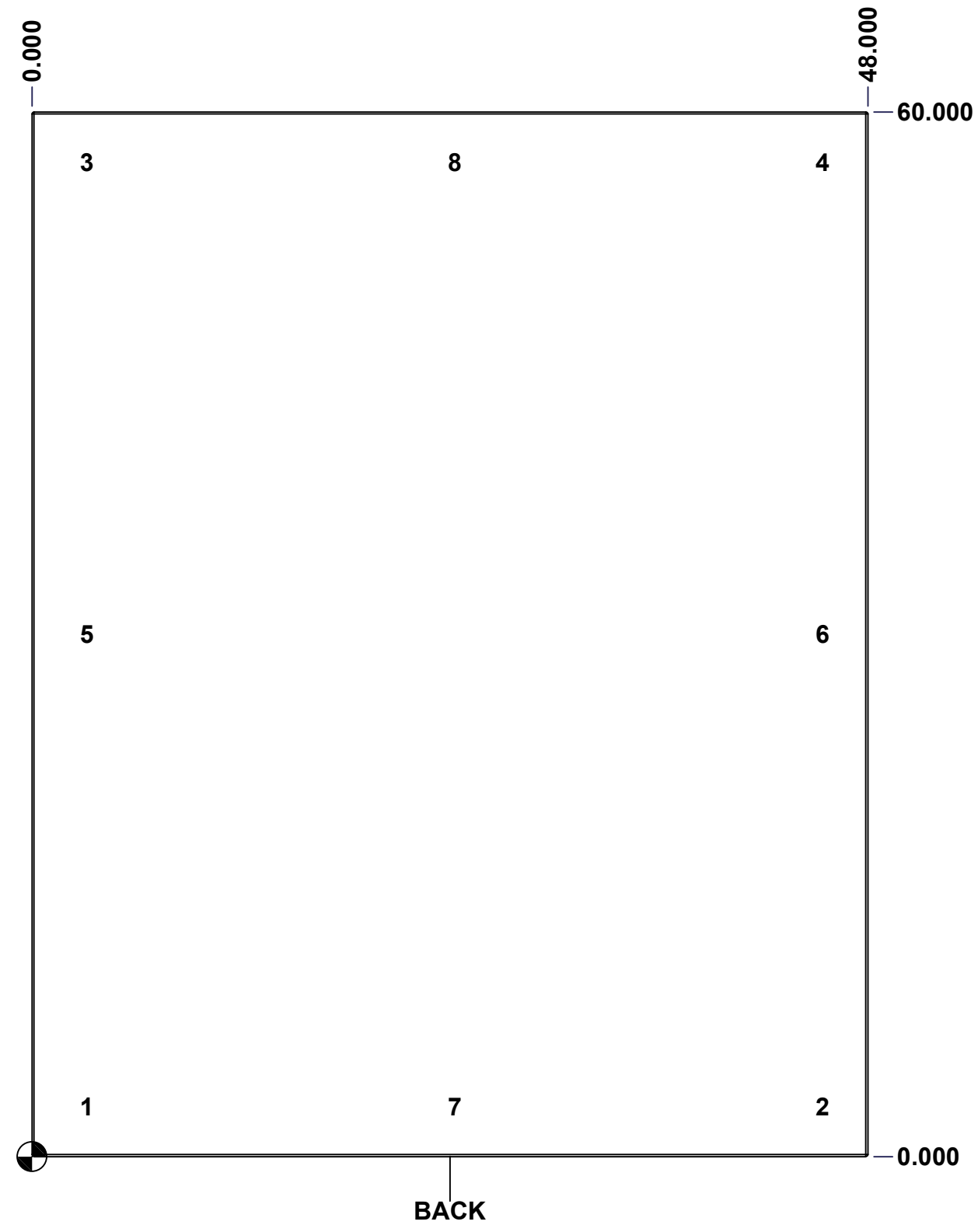
This drawing is confidential and must not be reproduced or used without the consent of EXM

Ce dessin est confidentiel et ne doit pas être reproduit ou utilisé sans le consentement de EXM

**STANDARD FEATURES ARE NOT LISTED IN THIS HOLE TABLE**

**HOLE TABLE - BACK VIEW (CUSTOM FEATURE ONLY)**

CUT-OUT	XDIM	YDIM	DESCRIPTION
1	2.875	2.875	IP STUD M10 x 40mm (Inside)
2	45.125	2.875	IP STUD M10 x 40mm (Inside)
3	2.875	57.125	IP STUD M10 x 40mm (Inside)
4	45.125	57.125	IP STUD M10 x 40mm (Inside)
5	2.875	30.000	IP STUD M10 x 40mm (Inside)
6	45.125	30.000	IP STUD M10 x 40mm (Inside)
7	24.000	2.875	IP STUD M10 x 40mm (Inside)
8	24.000	57.125	IP STUD M10 x 40mm (Inside)



	Description	Status
	5412DDH 60" x 48" x 12" Body	(NULL)
	Part Number Numéro Pièce	Rev.
	<b>5412DDH604812B</b>	<b>0</b>
		8
		18

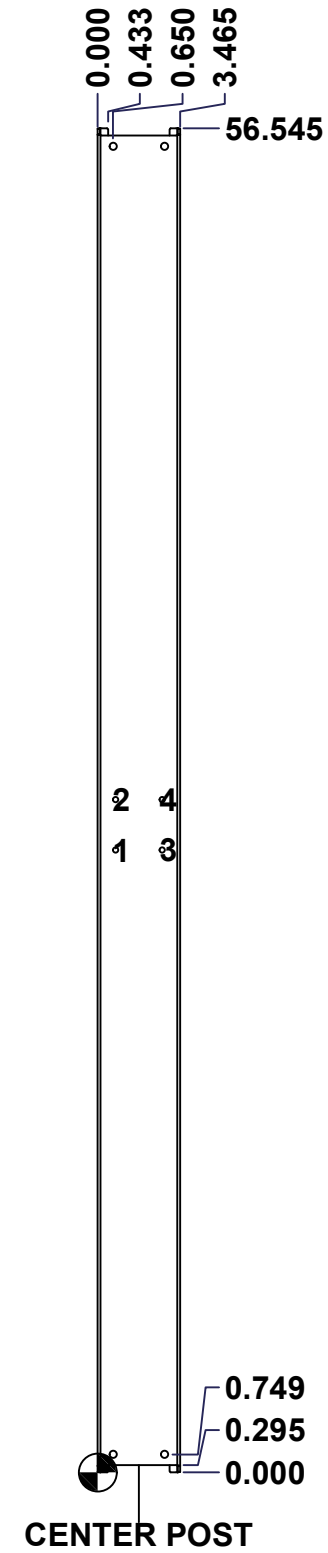
This drawing is confidential and must not be reproduced or used without the consent of EXM

Ce dessin est confidentiel et ne doit pas être reproduit ou utilisé sans le consentement de EXM

**STANDARD FEATURES ARE NOT LISTED IN THIS HOLE TABLE**

**HOLE TABLE - BACK VIEW (CUSTOM FEATURE ONLY)**

CUT-OUT	XDIM	YDIM	DESCRIPTION
1	0.748	26.179	PEM FH-M6-15ZI (Inside)
2	0.748	28.305	PEM FH-M6-15ZI (Inside)
3	2.717	26.179	PEM FH-M6-15ZI (Inside)
4	2.717	28.305	PEM FH-M6-15ZI (Inside)

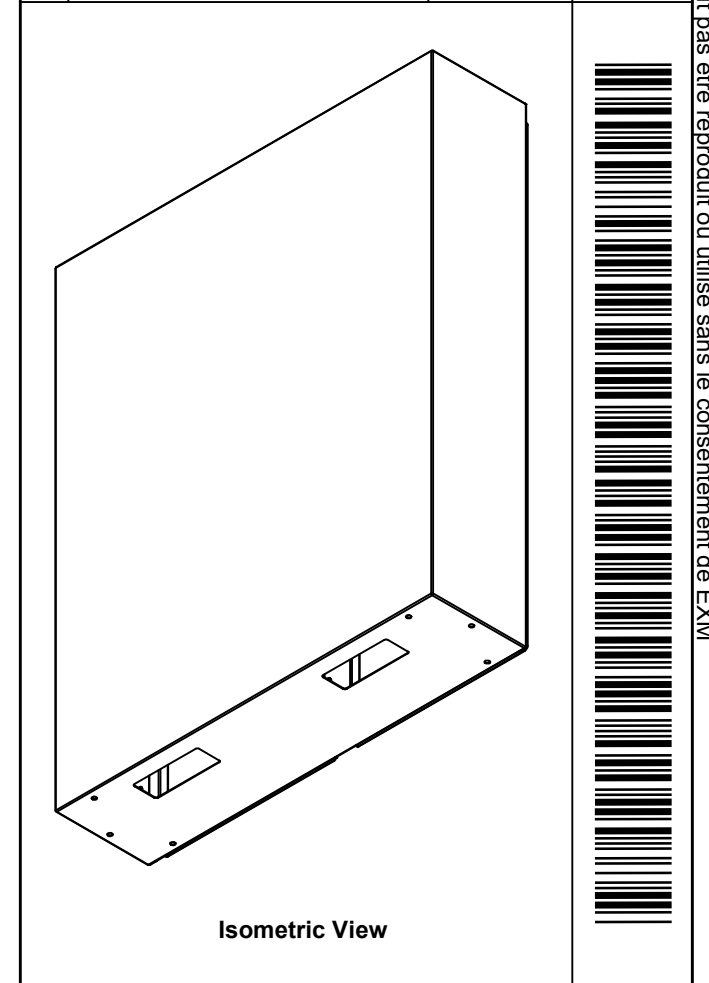


	Description	Status
	5412DDH 60" x 48" x 12" Body	(NULL)
Part Number Numéro Pièce <b>5412DDH604812B</b>	Rev.	9
	<b>0</b>	18

This drawing is confidential and must not be reproduced or used without the consent of EXM

Ce dessin est confidentiel et ne doit pas être reproduit ou utilisé sans le consentement de EXM

No.	Revisions	Date	By/Par



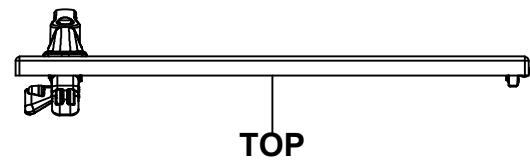
4	STK-PEM-FH-M6-15ZI	0	PEM Self-Clinching Stud M6 x 15.0mm
4	STK-Q-16030	0	Stud M6 x 10mm Steel
1	STK-P-02400S	0	Powder Paint (Asa-61 Grey / Smooth)
2	STK-Q-74900	0	Eyebolt Lifting Angle (8.750")
8	STK-Q-04056-12	0	M6 x 8mm Hexagon Socket Head Machine Screw with Nyseal
1	STK-K-75454	14	Center Post Freestanding Sealing Block with Latch Kit
1	5412DDH604812CP-P	0	5412DDH 60" Center Post Part
2	STK-Q-07320	0	Flange Lock Nut M10
2	STK-Q-07618	1	5500 Series Inner Panel Support Bracket
8	STK-Q-16100	0	Stud M10 x 40mm Steel
1	5412DDH604812B-P	0	5412DDH 60" x 48" Body Part
2	5412DDH604812_CR400 MS_17.5	0	Commercial Roll Mild Steel (17.5in long)
6	STK-Q-16080	0	Ground Stud M6 x 16mm Steel

Qty	Part Number	Rev	Description
Parts List			

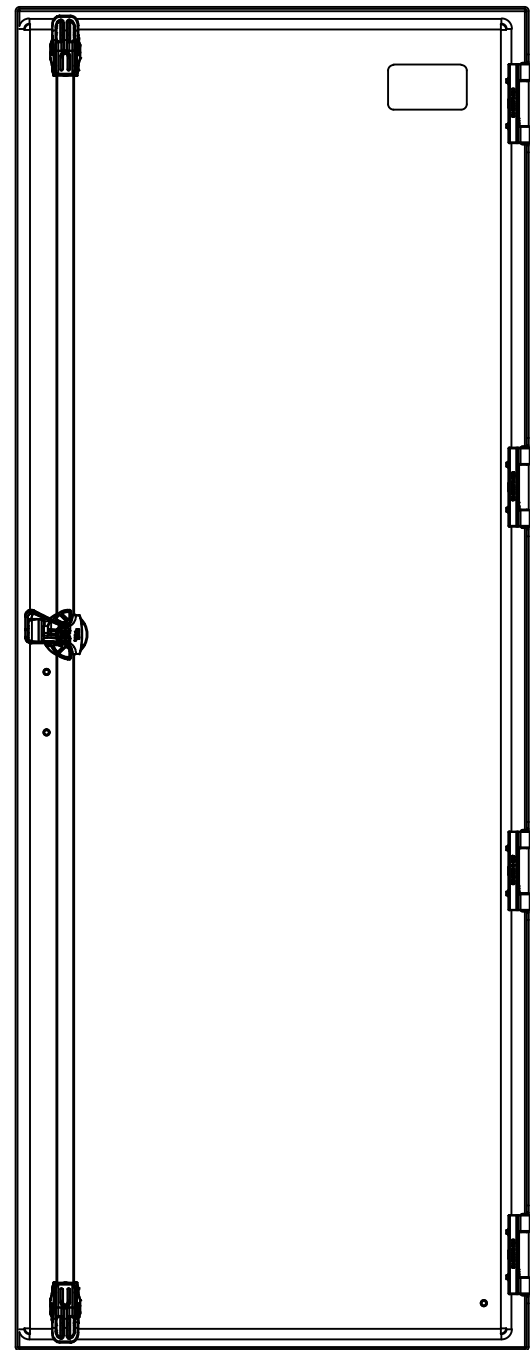
	Tél: (450) 979-4373 Fax: (450) 979-4626 <a href="http://www.exmweb.com">www.exmweb.com</a>	Flatness Aplatissement Max 3.0mm	
	Projection 	Customer Client	Date
Drawn By Dessiné Par	BoxCad: BoxCad	Date	25-Oct-24
Material Matière	12 Ga Cold Rolled A1008 CS Type B (2.5mm)		
Color Couleur	Asa-61 Grey	Finish Fini	Smooth
Description 5412DDH 60" x 48" x 12" Body		Detail Rev.	
Part Number Numéro Pièce <b>5412DDH604812B</b>		Rev.	10 <b>0</b> 18

This drawing is confidential and must not be reproduced or used without the consent of EXM

Ce dessin est confidentiel et ne doit pas être reproduit ou utilisé sans le consentement de EXM



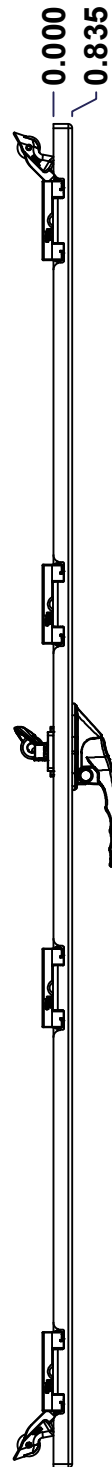
TOP



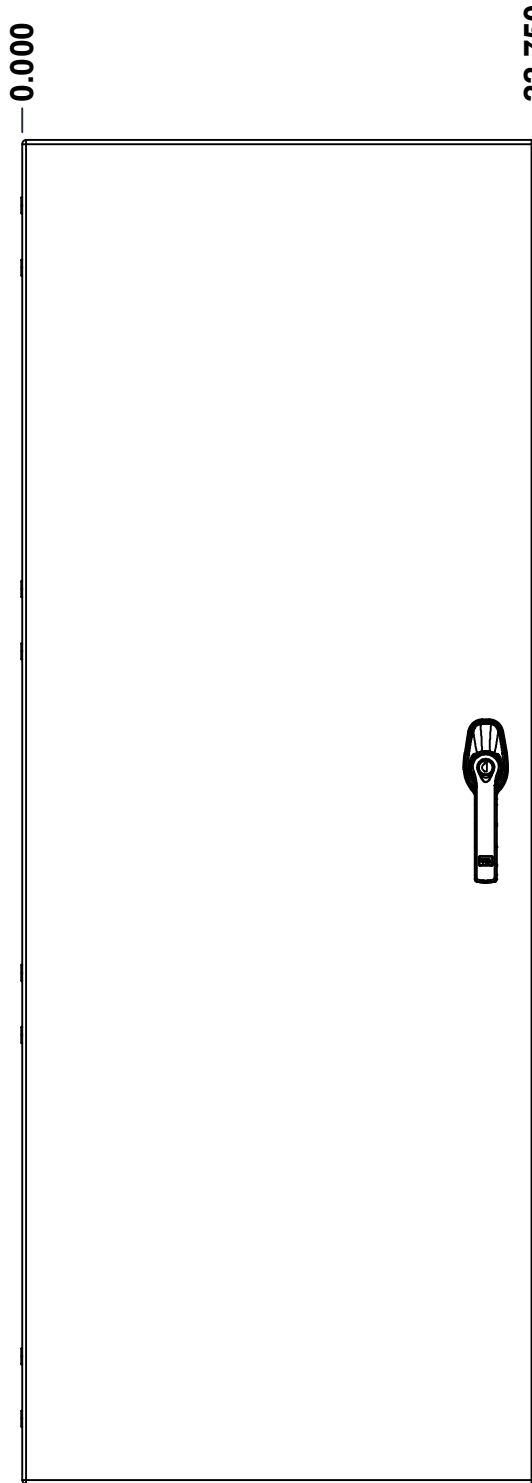
BACK



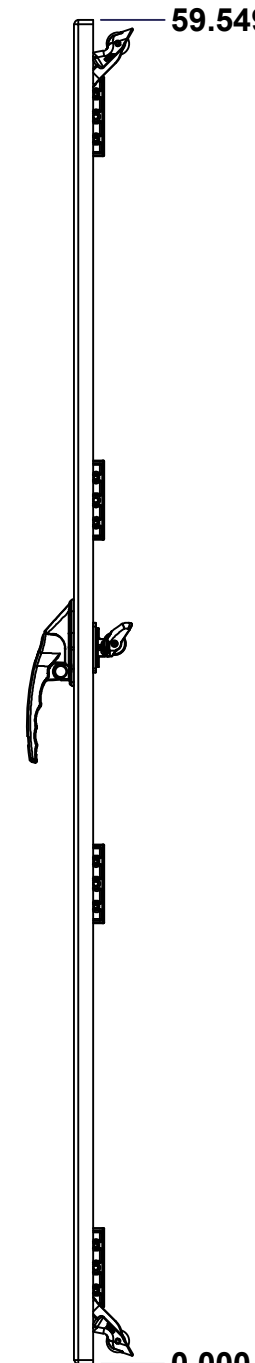
BOTTOM



LEFT

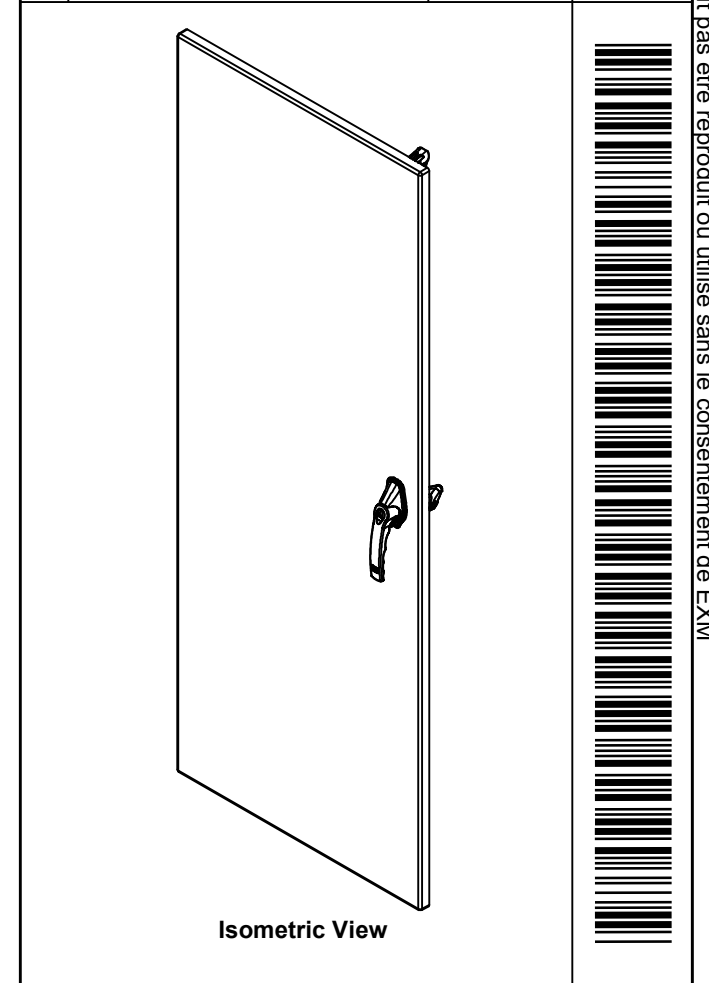


FRONT



RIGHT

No.	Revisions	Date	By/Par



Tél: (450) 979-4373 Fax: (450) 979-4626 <a href="http://www.exmweb.com">www.exmweb.com</a>		Flatness Aplatissement
		Max 3.0mm
Customer Client Drawn By / Dessiné Par: BoxCad: BoxCad Material / Matière: 12 Ga Cold Rolled A1008 CS Type B (2.5mm)		Projection
Date		Date
Date 25-Oct-24		Date
Color / Couleur: Asa-61 Grey		Finish / Fini: Smooth
Description: 5412DDH 60" x 48" Slave Door		Detail Rev.
Part Number / Numéro Pièce: 5412DDH604812LD		Rev. 11
SEE BILL OF MATERIAL ON LAST PAGE		0 18

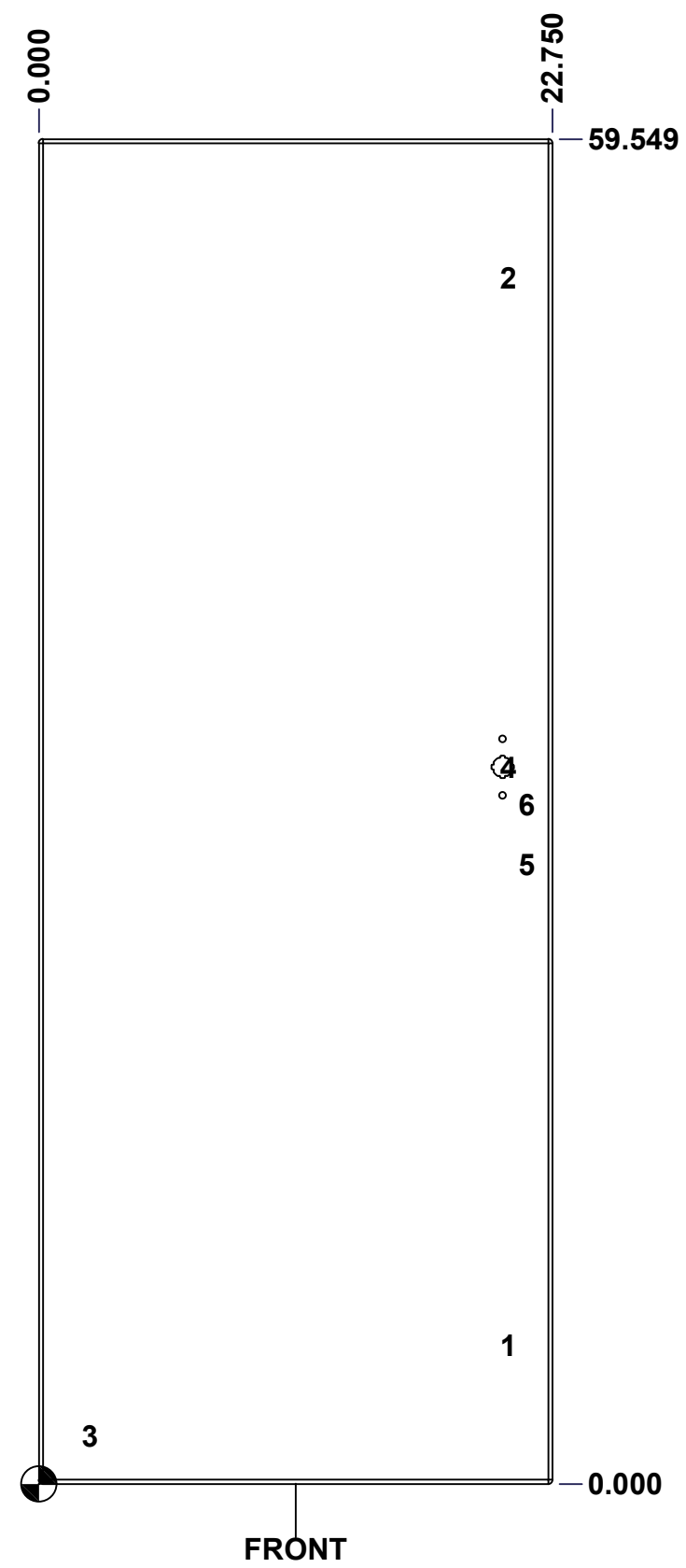
This drawing is confidential and must not be reproduced or used without the consent of EXM

Ce dessin est confidentiel et ne doit pas être reproduit ou utilisé sans le consentement de EXM

**STANDARD FEATURES ARE NOT LISTED IN THIS HOLE TABLE**

**HOLE TABLE - FRONT VIEW (CUSTOM FEATURE ONLY)**

CUT-OUT	XDIM	YDIM	DESCRIPTION
1	20.546	6.118	LARGE CBAR GUIDE (Inside)
2	20.546	53.431	LARGE CBAR GUIDE (Inside)
-----			
3	2.000	2.118	GND STUD M6 x 16mm (Inside)
4	20.546	31.743	HANDLE 885 ESL2A-APHK @ 0.0°
5	21.372	27.404	STUDS M6 x 18mm (Inside)
6	21.372	30.082	STUDS M6 x 18mm (Inside)



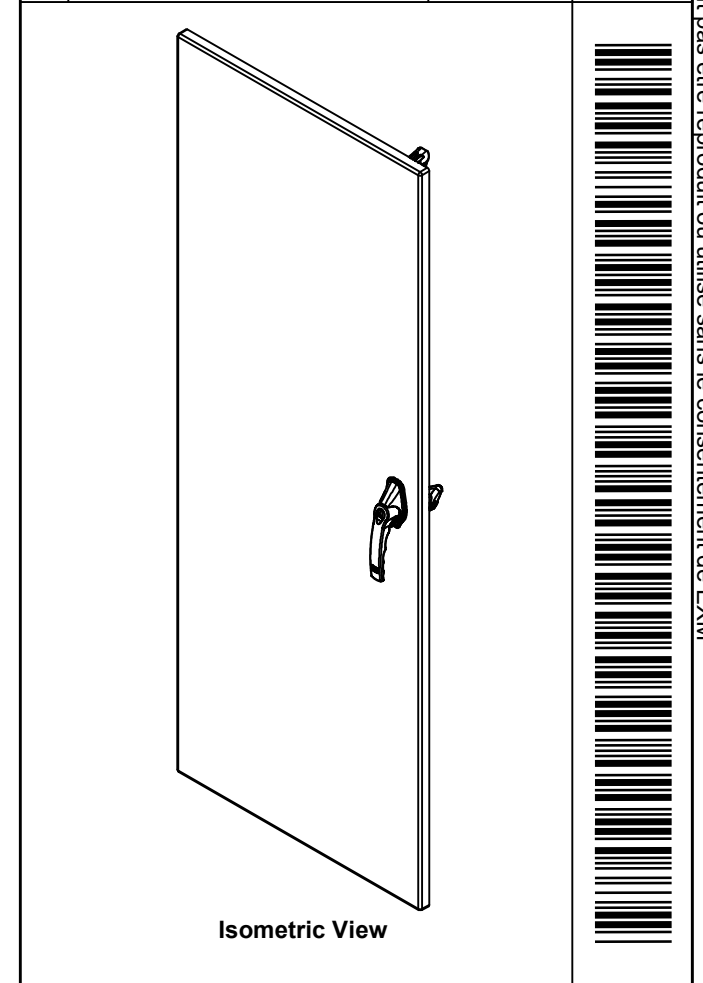
FRONT

	Description	Status
	5412DDH 60" x 48" Slave Door	(NULL)
	Part Number Numéro Pièce	Rev.
	<b>5412DDH604812LD</b>	<b>0</b> / 12
		18

This drawing is confidential and must not be reproduced or used without the consent of EXM

Ce dessin est confidentiel et ne doit pas être reproduit ou utilisé sans le consentement de EXM

No.	Revisions	Date	By/Par



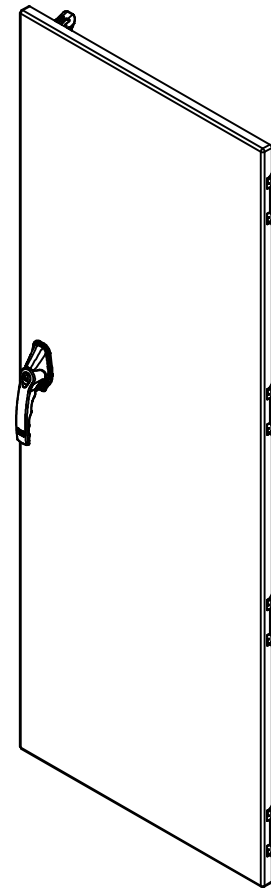
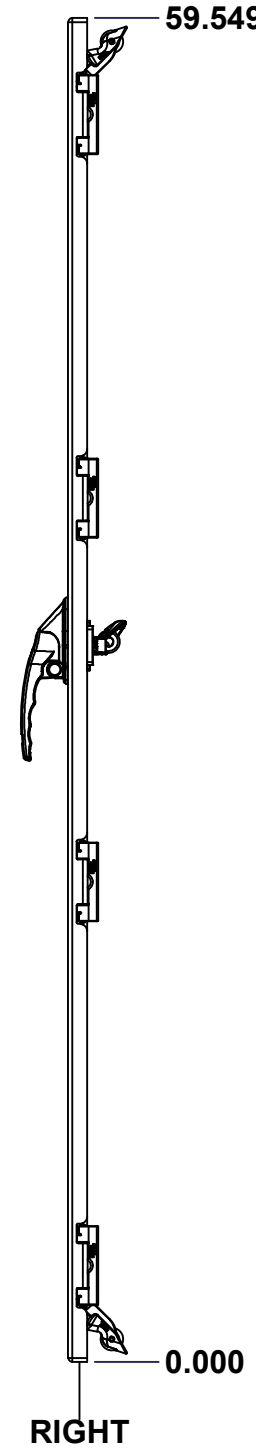
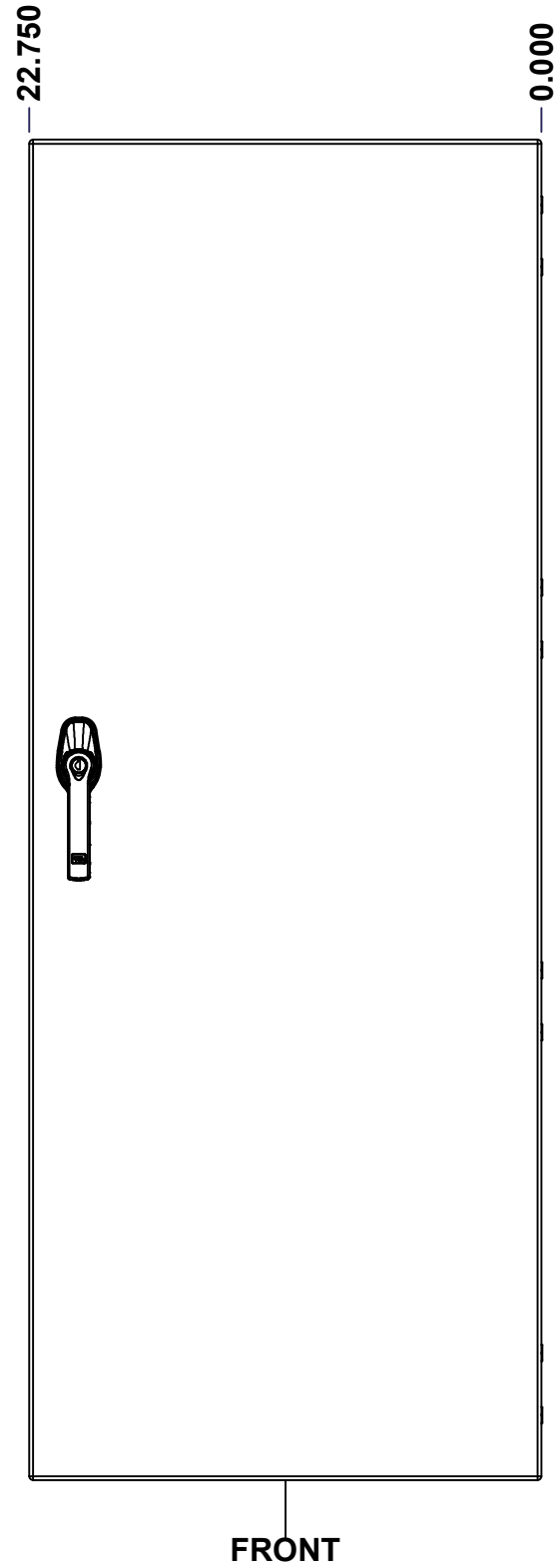
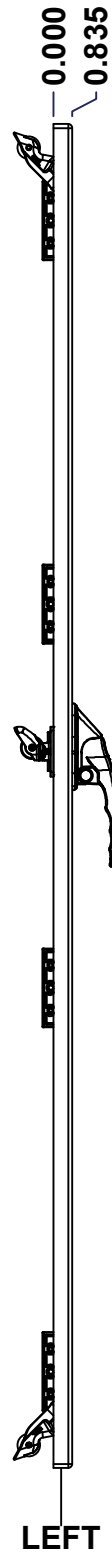
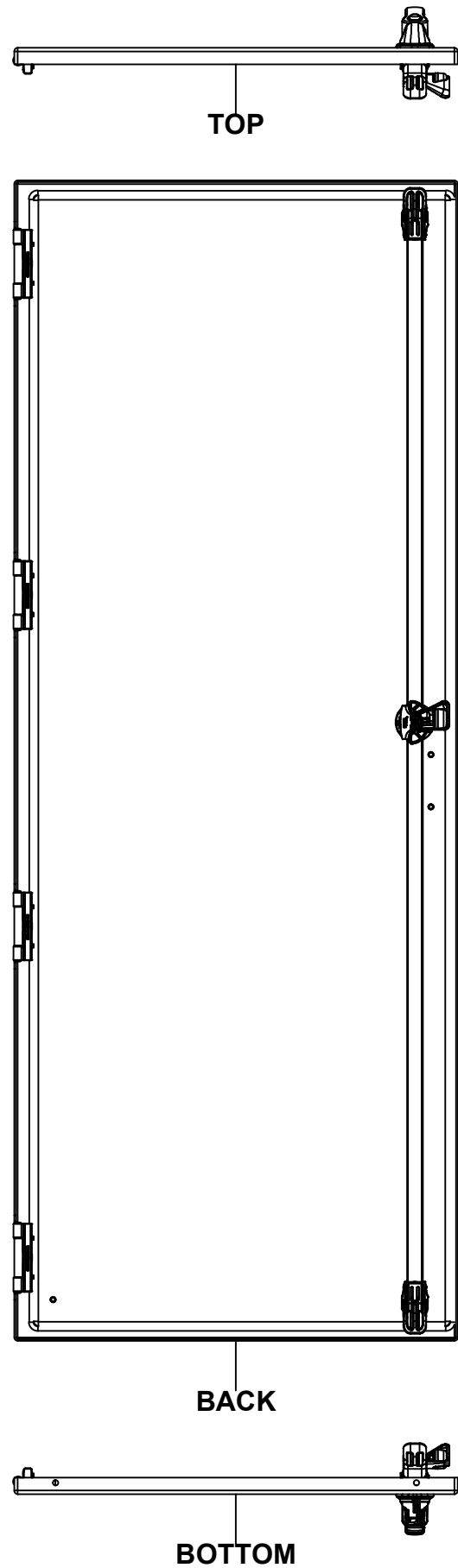
2	STK-Q-16050	1	Stud M6 x 18mm Steel
2	STK-Q-07220	1	M6 Nylon Insert Lock Nut
1	STK-Q-47541	1	5500 DDS Lower Closing Bar 60"
2	STK-A-90025	3	9500 - Cabinet Closing Bar End (Large)
1	STK-Q-47531	0	5500 DDS Upper Closing Bar 60"
1	STK-A-50538	3	9500 Handle Cam Assembly (Right Side, Grip 36mm)
1	STK-Q-90051	3	5412 ES - Handle Cam Spacer
1	885ESL2A-APHK	7	885 ESL2A-APHK - Zinc Die Cast L-Handle Padlockable Assy
1	STK-Q-16080	0	Ground Stud M6 x 16mm Steel
1	STK-P-02400S	0	Powder Paint (Asa-61 Grey / Smooth)
1	STK-S-00100	0	3.5" x 2" Silver Milar Flexcon Sticker
2	STK-Q-16410	0	Guide Stud - Largel (No Paint Cap Required)
4	STK-K-09860	7	Cabinet Hinge with Captive Pins
1	5412DDH604812DG	0	5412DDH 60" x 48" Door Gasket
1	5412DDH604812LD-P	0	5412DDH 60" x 48" Slave Door Part

QTY	Part Number	Rev	Description
Parts List			

Tél: (450) 979-4373 Fax: (450) 979-4626 <a href="http://www.exmweb.com">www.exmweb.com</a>		Flatness Aplatissement	
		Max 3.0mm	
Customer Client		Date	
Drawn By Dessiné Par		Date	
Material Matière		25-Oct-24	
Color Couleur		12 Ga Cold Rolled A1008 CS Type B (2.5mm)	
Asa-61 Grey		Finish Fini	
Smooth		Description	
Detail Rev.		5412DDH 60" x 48" Slave Door	
Part Number Numéro Pièce		Rev.	
5412DDH604812LD		13	
0		18	

This drawing is confidential and must not be reproduced or used without the consent of EXM


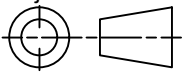
Ce dessin est confidentiel et ne doit pas être reproduit ou utilisé sans le consentement de EXM



Isometric View



No.	Revisions	Date	By/Par

 Tél: (450) 979-4373 Fax: (450) 979-4626 <a href="http://www.exmweb.com">www.exmweb.com</a>		Flatness Aplatissement Max 3.0mm Projection 
Customer Client		Date
Drawn By Dessiné Par	BoxCad: BoxCad	Date 25-Oct-24
Material Matière	12 Ga Cold Rolled A1008 CS Type B (2.5mm)	
Color Couleur	Asa-61 Grey	Finish Fini Smooth
Description		Detail Rev.
5412DDH 60" x 48" Master Door		
Part Number Numéro Pièce	Rev. 0	14 18

SEE BILL OF MATERIAL ON LAST PAGE

**5412DDH604812FD**

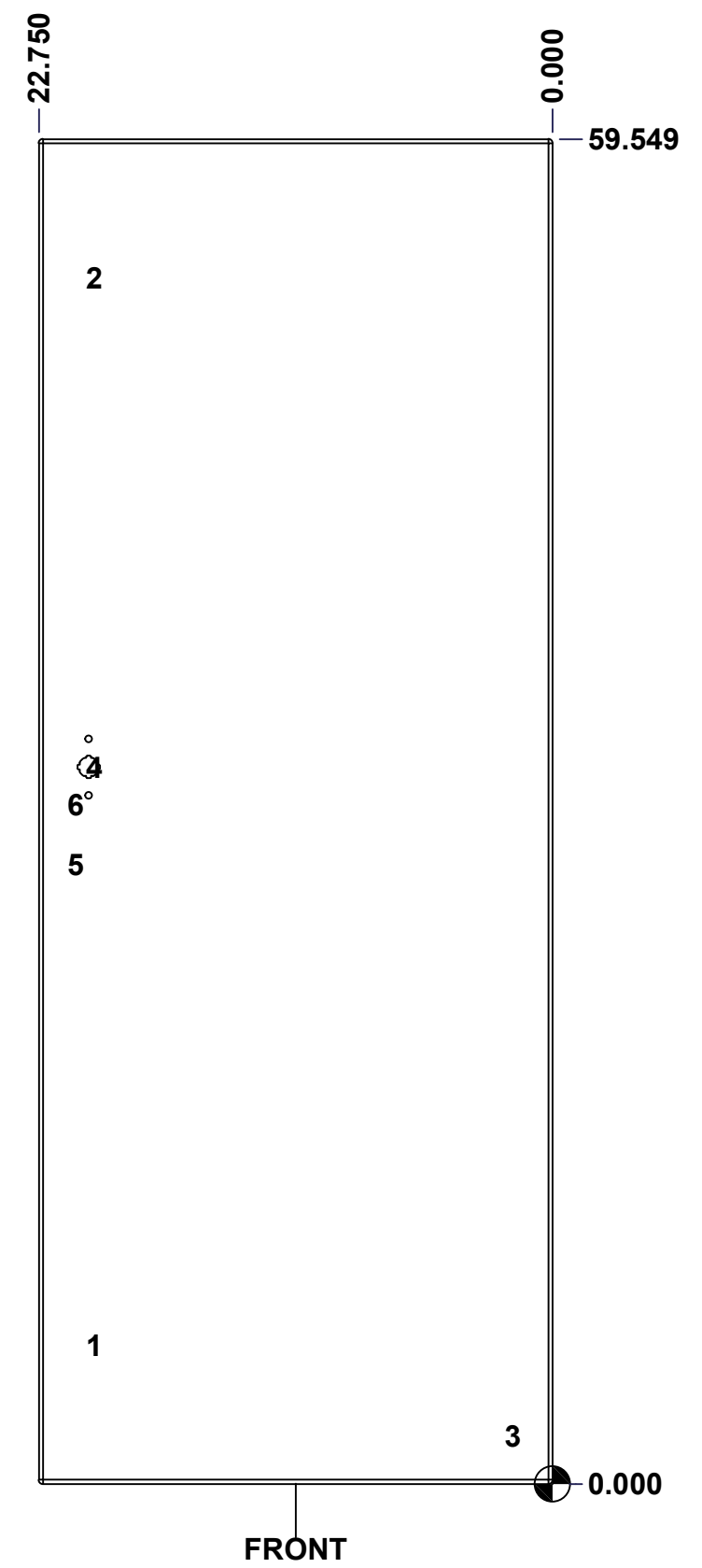
This drawing is confidential and must not be reproduced or used without the consent of EXM

Ce dessin est confidentiel et ne doit pas être reproduit ou utilisé sans le consentement de EXM

**STANDARD FEATURES ARE NOT LISTED IN THIS HOLE TABLE**

**HOLE TABLE - FRONT VIEW (CUSTOM FEATURE ONLY)**

CUT-OUT	XDIM	YDIM	DESCRIPTION
1	20.546	6.118	LARGE CBAR GUIDE (Inside)
2	20.546	53.431	LARGE CBAR GUIDE (Inside)
-----			
3	2.000	2.118	GND STUD M6 x 16mm (Inside)
4	20.546	31.743	HANDLE 885 ESL2A-APHK @ 0.0°
5	21.372	27.404	STUDS M6 x 18mm (Inside)
6	21.372	30.082	STUDS M6 x 18mm (Inside)

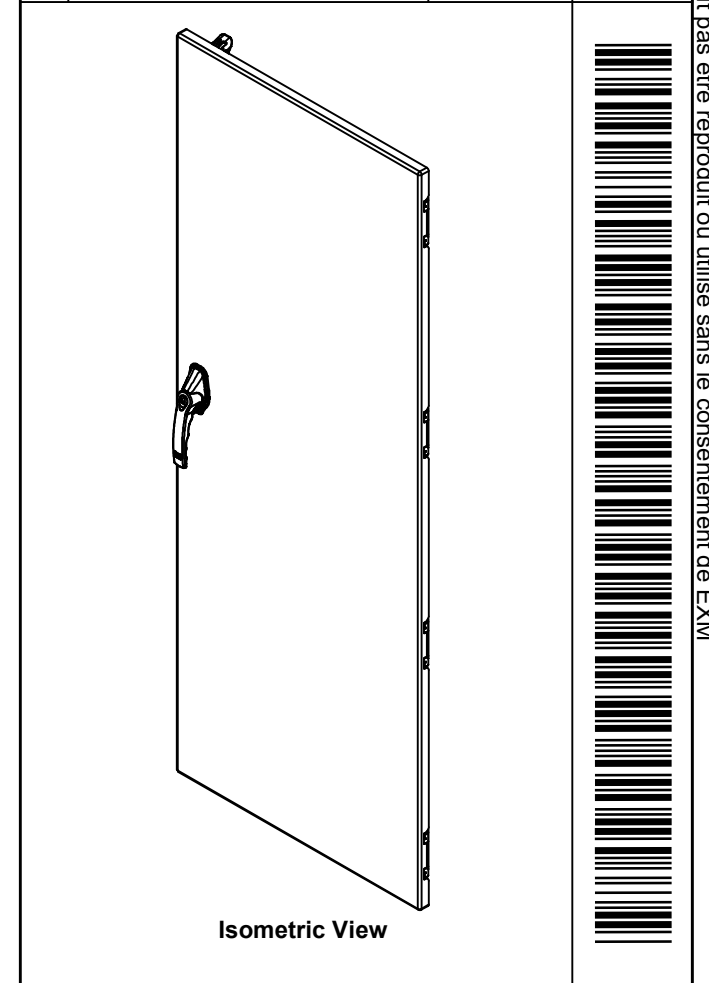


	Description	Status
	5412DDH 60" x 48" Master Door	(NULL)
	Part Number Numéro Pièce	Rev.
	<b>5412DDH604812FD</b>	<b>0</b>
		15
		18

This drawing is confidential and must not be reproduced or used without the consent of EXM


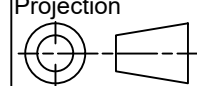
Ce dessin est confidentiel et ne doit pas être reproduit ou utilisé sans le consentement de EXM

No.	Revisions	Date	By/Par



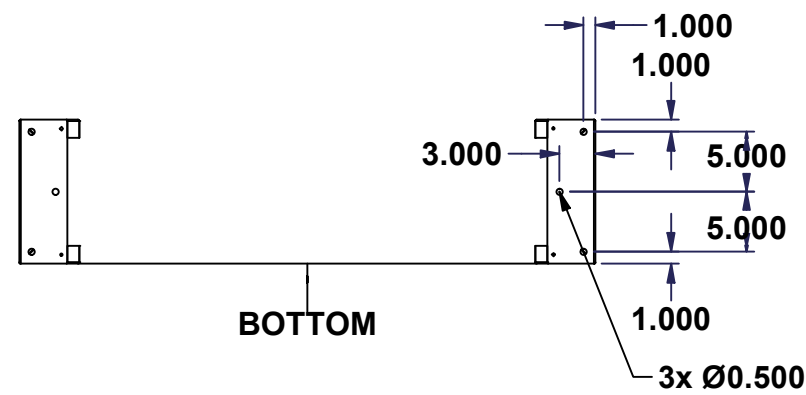
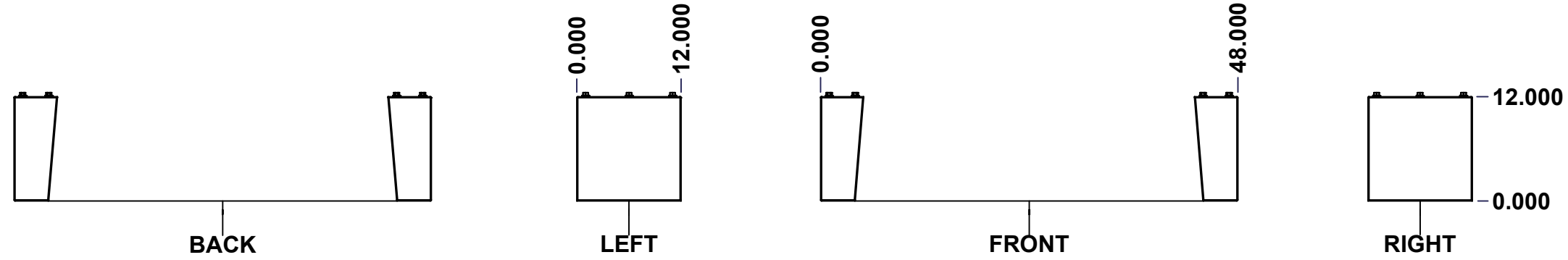
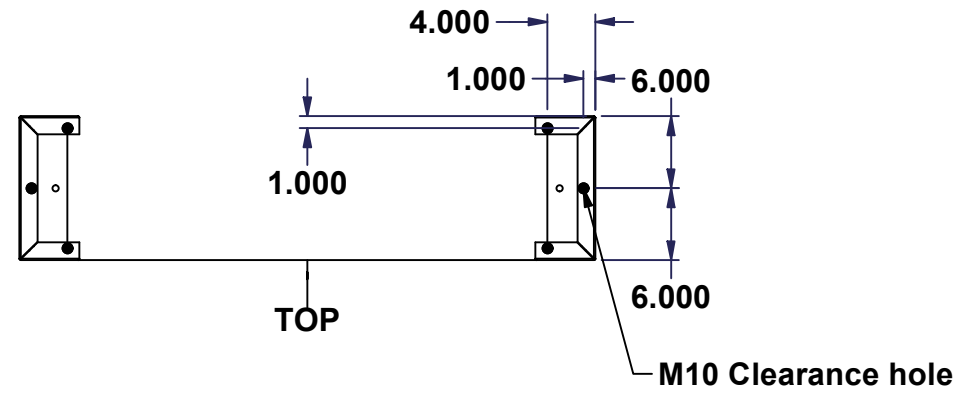
2	STK-Q-16050	1	Stud M6 x 18mm Steel
2	STK-Q-07220	1	M6 Nylon Insert Lock Nut
1	STK-Q-47541	1	5500 DDS Lower Closing Bar 60"
2	STK-A-90025	3	9500 - Cabinet Closing Bar End (Large)
1	STK-Q-47531	0	5500 DDS Upper Closing Bar 60"
1	STK-A-50537	3	9500 Handle Cam Assembly (Left Side, Grip 36mm)
1	STK-Q-90051	3	5412 ES - Handle Cam Spacer
1	885ESL2A-APHK	7	885 ESL2A-APHK - Zinc Die Cast L-Handle Padlockable Assy
1	STK-Q-16080	0	Ground Stud M6 x 16mm Steel
1	STK-P-02400S	0	Powder Paint (Asa-61 Grey / Smooth)
2	STK-Q-16410	0	Guide Stud - Larget (No Paint Cap Required)
4	STK-K-09860	7	Cabinet Hinge with Captive Pins
1	5412DDH604812DG	0	5412DDH 60" x 48" Door Gasket
1	5412DDH604812FD-P	0	5412DDH 60" x 48" Master Door Part

QTY	Part Number	Rev	Description
Parts List			

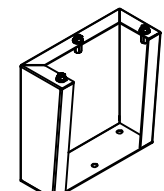
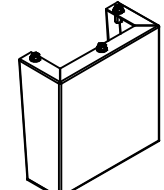
 Tél: (450) 979-4373 Fax: (450) 979-4626 <a href="http://www.exmweb.com">www.exmweb.com</a>	Flatness Aplatissement	Max 3.0mm
	Projection	
Customer Client	Date	
Drawn By Dessiné Par	BoxCad: BoxCad	Date 25-Oct-24
Material Matière	12 Ga Cold Rolled A1008 CS Type B (2.5mm)	
Color Couleur	Asa-61 Grey	Finish Fini Smooth
Description	Detail Rev.	
5412DDH 60" x 48" Master Door		
Part Number Numéro Pièce	Rev. 0	16 18
<b>5412DDH604812FD</b>		

This drawing is confidential and must not be reproduced or used without the consent of EXM


Ce dessin est confidentiel et ne doit pas être reproduit ou utilisé sans le consentement de EXM




No.	Revisions	Date	By/Par

**Isometric View**



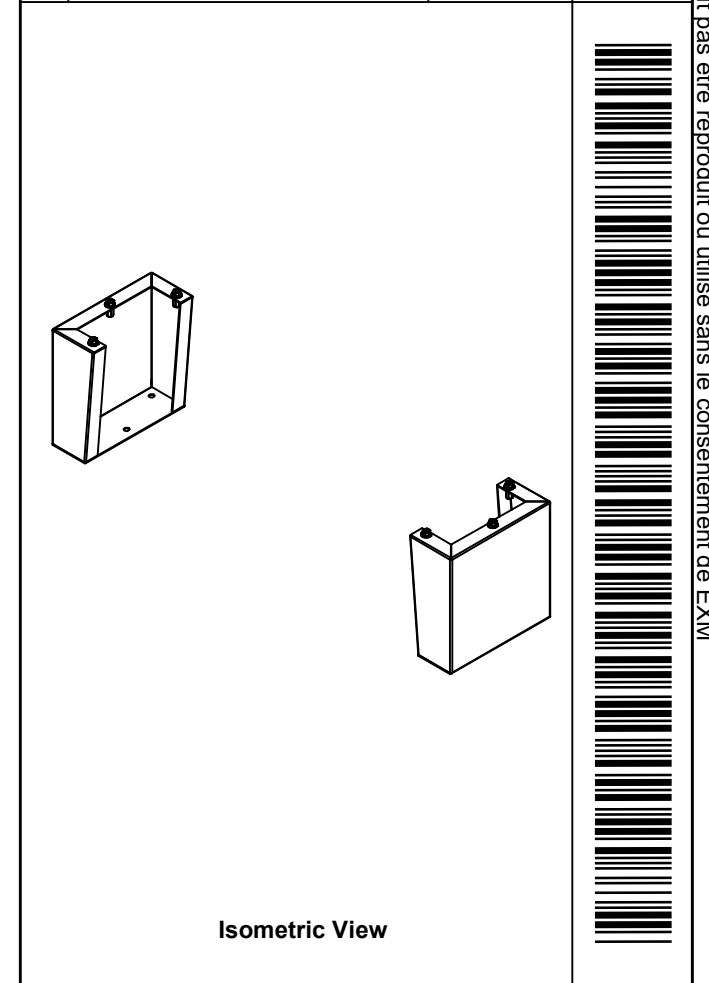
 Tél: (450) 979-4373 Fax: (450) 979-4626 <a href="http://www.exmweb.com">www.exmweb.com</a>		Flatness Aplatissement
		Max 3.0mm
Customer Client		Date
Drawn By Dessiné Par      BoxCad: BoxCad		Date 25-Oct-24
Material Matière      12 Ga Cold Rolled A1008 CS Type B (2.5mm)		
Color Couleur      Asa-61 Grey	Finish Fini      Smooth	
Description 885 MFHD 12" x 12" Mounting Feet		Detail Rev.
Part Number Numéro Pièce <b>885MFHD1212</b>	Rev. <b>0</b>	17 18


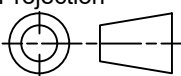
**SEE BILL OF MATERIAL ON LAST PAGE**

This drawing is confidential and must not be reproduced or used without the consent of EXM

Ce dessin est confidentiel et ne doit pas être reproduit ou utilisé sans le consentement de EXM

No.	Revisions	Date	By/Par



 Tél: (450) 979-4373 Fax: (450) 979-4626 <a href="http://www.exmweb.com">www.exmweb.com</a>		Flatness Aplatissement Max 3.0mm Projection 
Customer Client	Date	
Drawn By Dessiné Par	BoxCad: BoxCad	Date 25-Oct-24
Material Matière	12 Ga Cold Rolled A1008 CS Type B (2.5mm)	
Color Couleur	Asa-61 Grey	Finish Fini Smooth
Description		Detail Rev.
885 MFHD 12" x 12" Mounting Feet		
Part Number Numéro Pièce	Rev.	18
<b>885MFHD1212</b>	<b>0</b>	18

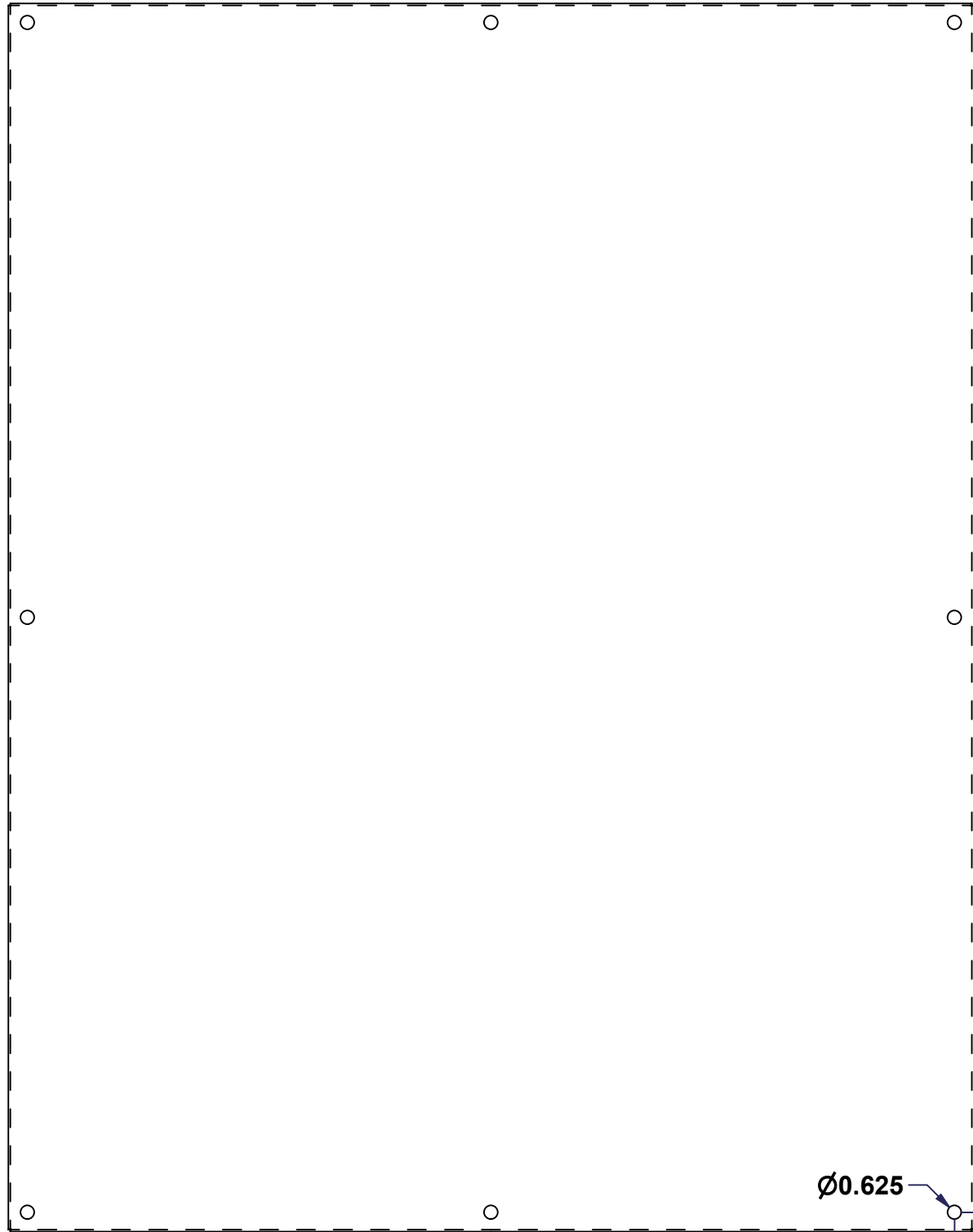
Qty	Part Name	Rev	Description
1	STK-P-02400S	0	Powder Paint (Asa-61 Grey / Smooth)
6	RIVET_NUT_M10_FH_CE	0	Rivet Nut M10 (Low Profile Close End)
1	5412DDH604812MFR-P	0	885 MFHD 12" x 12" Right Mounting Feet Part
1	5412DDH604812MFL-P	0	885 MFHD 12" x 12" Left Mounting Feet Part
3	STK-K-11600	2	885 MF Accessory Kit
Parts List			

This drawing is confidential and must not be reproduced or used without the consent of EXM

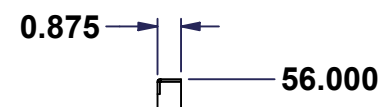
Ce dessin est confidentiel et ne doit pas être reproduit ou utilisé sans le consentement de EXM



TOP



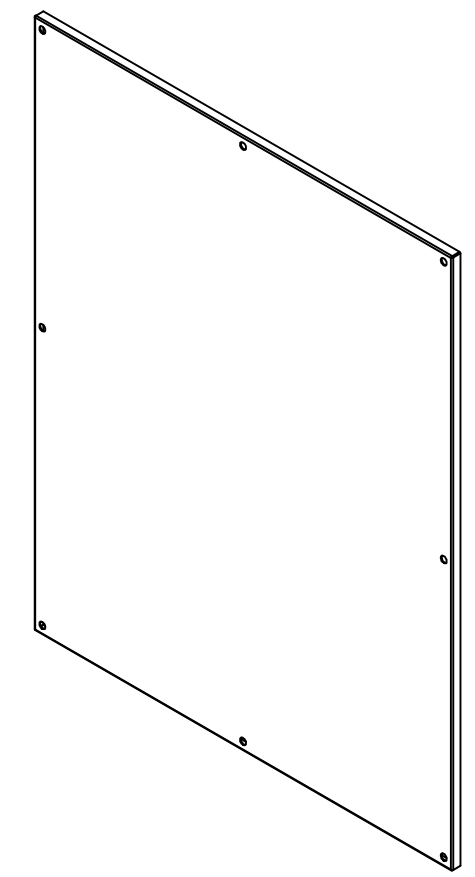
FRONT



RIGHT

SEE BILL OF MATERIAL ON LAST PAGE

No.	Revisions	Date	By/Par



Isometric View



Tél: (450) 979-4373  
 Fax: (450) 979-4626  
 www.exmweb.com

Flatness  
 Aplatissement  
 Max 3.0mm  
 Projection

Customer Client	Date
Drawn By / Dessiné Par: BoxCad	Date: 04/11/2009
Material / Matière: 12 Ga Galvanized (2.5mm)	

Color / Couleur: Unpainted	Finish / Fini: Unpainted
----------------------------	--------------------------

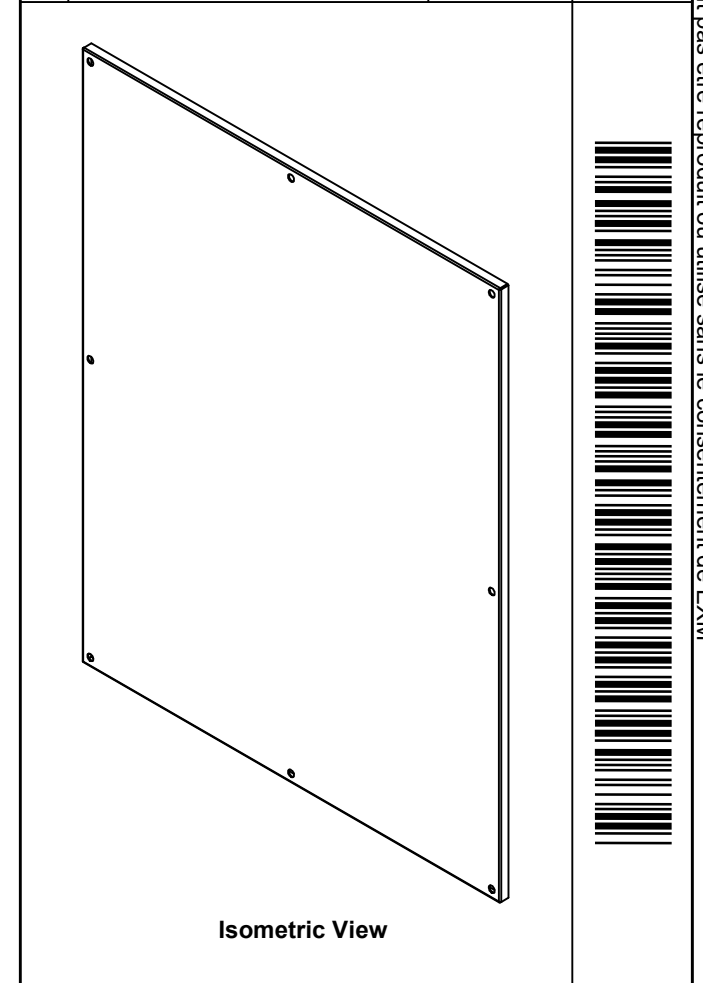
Description: 885 SP6048G Inner Panel	Detail Rev.
--------------------------------------	-------------


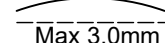
Part Number / Numéro Pièce: 885SP6048G	Rev. 0	1 / 2
----------------------------------------	--------	-------

This drawing is confidential and must not be reproduced or used without the consent of EXM

Ce dessin est confidentiel et ne doit pas être reproduit ou utilisé sans le consentement de EXM

No.	Revisions	Date	By/Par



 Tél: (450) 979-4373 Fax: (450) 979-4626 www.exmweb.com		Flatness Aplatissement  Max 3.0mm
Customer Client		Date
Drawn By Dessiné Par BoxCad		Date 04/11/2009
Material Matière 12 Ga Galvanized (2.5mm)		
Color Couleur Unpainted	Finish Fini Unpainted	
Description 885 SP6048G Inner Panel		Detail Rev.
Part Number Numéro Pièce <b>885SP6048G</b>		Rev. <b>0</b>

Qty	Part Number	Rev	Description
1	885SP6048G-P	0	885 SP6048G Inner Panel Part
Parts List			

2
2