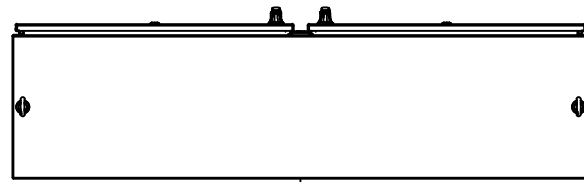
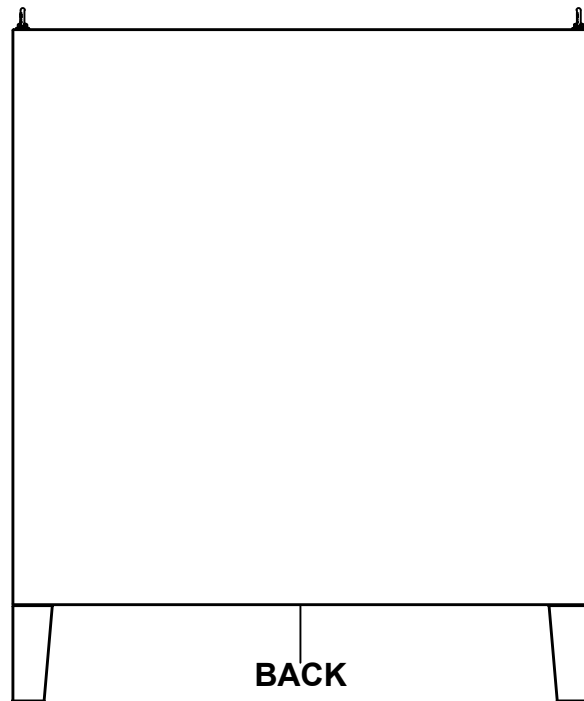


This drawing is confidential and must not be reproduced or used without the consent of EXM

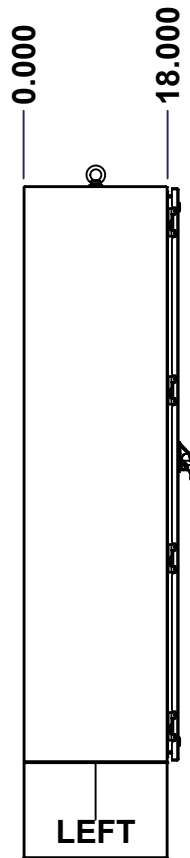
Ce dessin est confidentiel et ne doit pas être reproduit ou utilisé sans le consentement de EXM



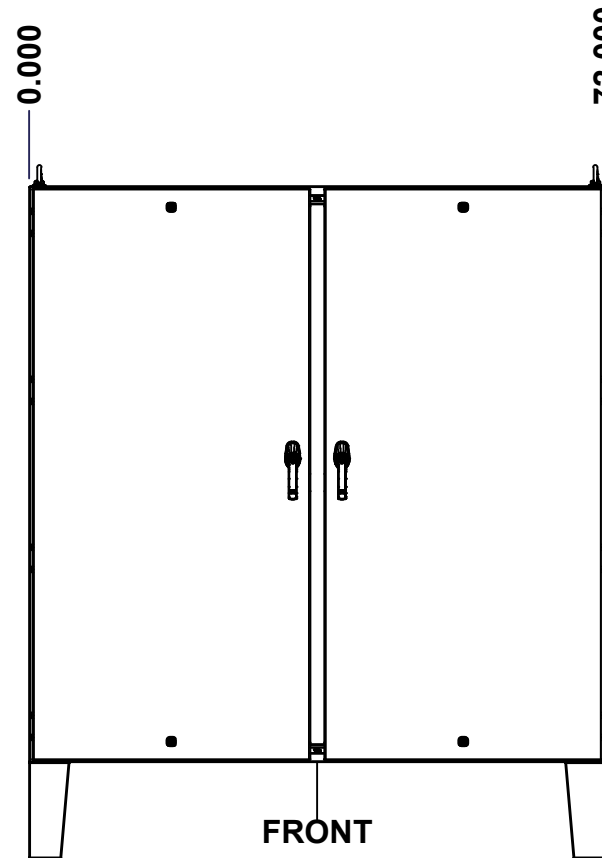
TOP



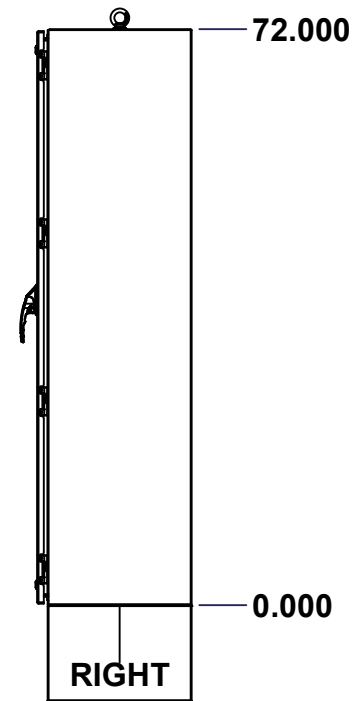
BACK



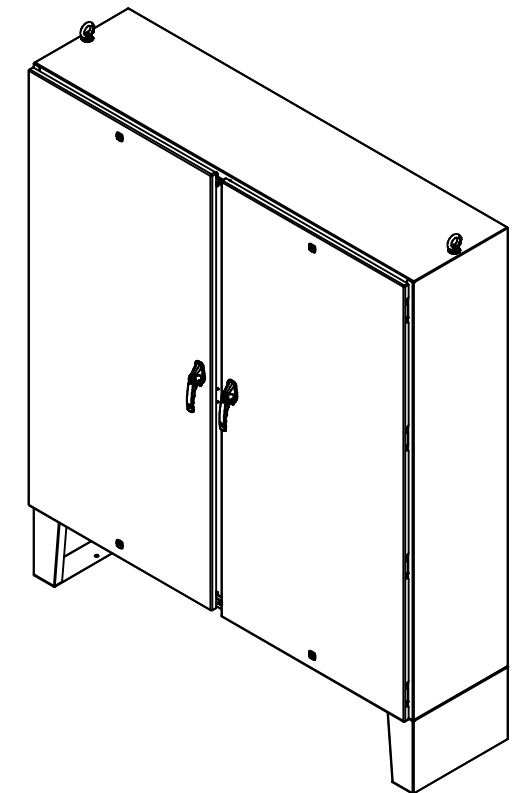
LEFT



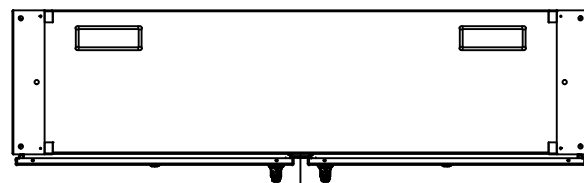
FRONT



RIGHT


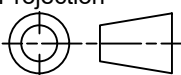


Isometric View



BOTTOM

No.	Revisions	Date	By/Par

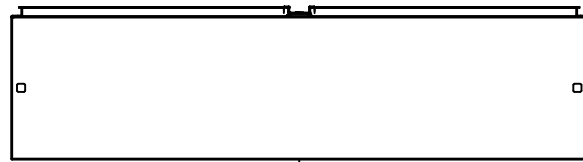
 Tél: (450) 979-4373 Fax: (450) 979-4626 <a href="http://www.exmweb.com">www.exmweb.com</a>		Flatness Aplatissement Max 3.0mm Projection 
Customer Client	Date	
Drawn By Dessiné Par	BoxCad: BoxCad	Date 11-Dec-23
Material Matière	12 Ga Cold Rolled A1008 CS Type B (2.5mm)	
Color Couleur	Asa-61 Grey	Finish Fini Smooth
Description	Detail Rev.	
5412DDS 72" x 72" x 18" Assembly		
Part Number Numéro Pièce	Rev.	1
5412DDH727218	0	18

SEE BILL OF MATERIAL ON LAST PAGE

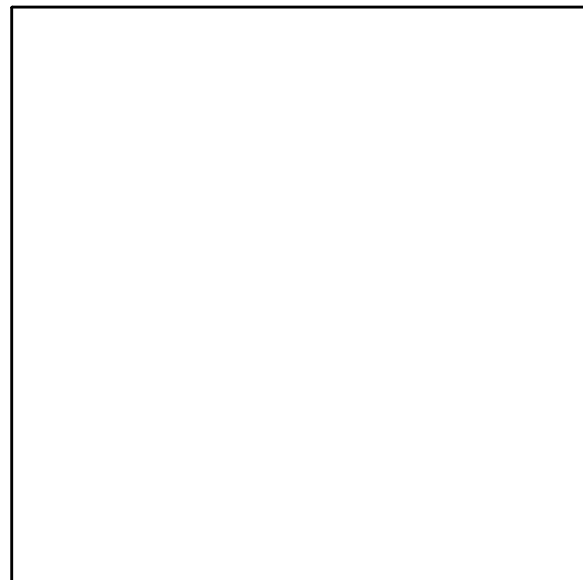


This drawing is confidential and must not be reproduced or used without the consent of EXM

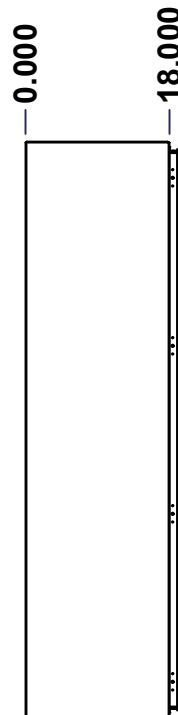
Ce dessin est confidentiel et ne doit pas être reproduit ou utilisé sans le consentement de EXM



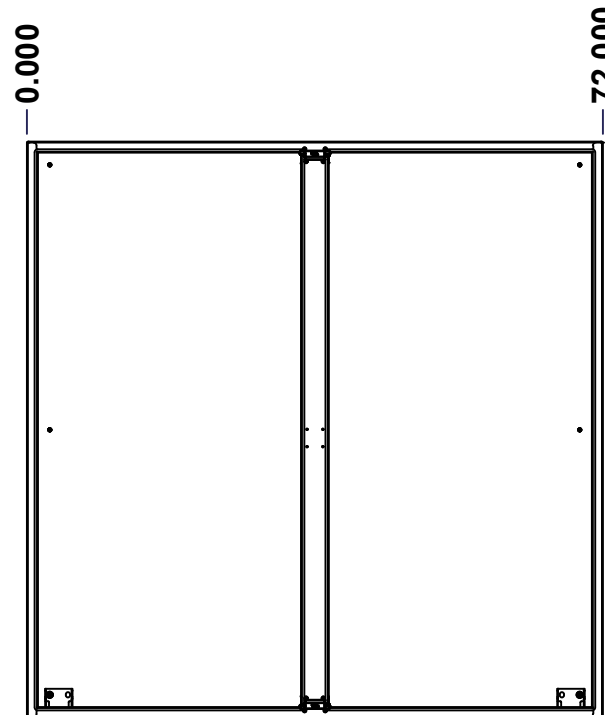
TOP



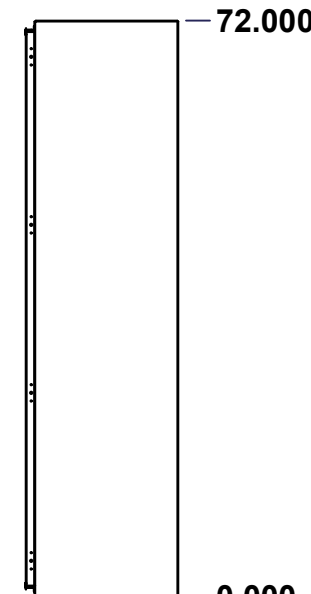
BACK



LEFT



FRONT

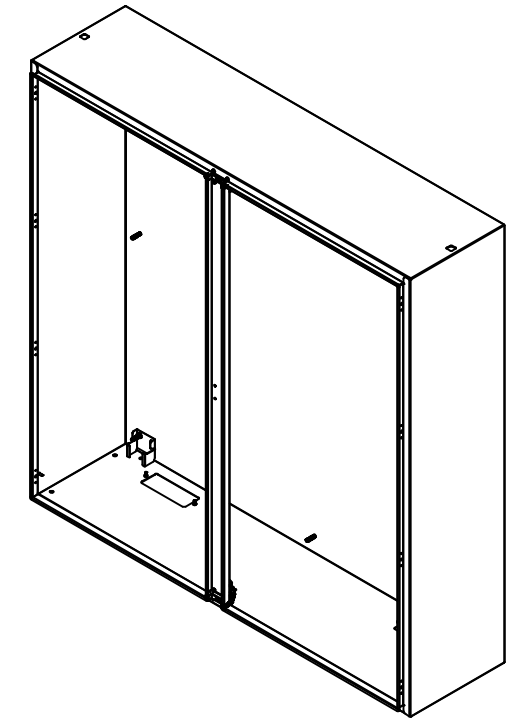


RIGHT



BOTTOM

No.	Revisions	Date	By/Par



Isometric View



Tél: (450) 979-4373  
 Fax: (450) 979-4626  
[www.exmweb.com](http://www.exmweb.com)

Flatness  
Aplatissement

Max 3.0mm

Projection



Customer Client	Date
Drawn By / Dessiné Par: BoxCad: BoxCad	Date: 11-Dec-23
Material / Matière: 12 Ga Cold Rolled A1008 CS Type B (2.5mm)	

Color / Couleur: Asa-61 Grey	Finish / Fini: Smooth
------------------------------	-----------------------

Description: 5412DDS 72" x 72" x 18" Body	Detail Rev.
---	-------------

Part Number / Numéro Pièce: 5412DDH727218B	Rev. 0	3
--	--------	---

SEE BILL OF MATERIAL ON LAST PAGE

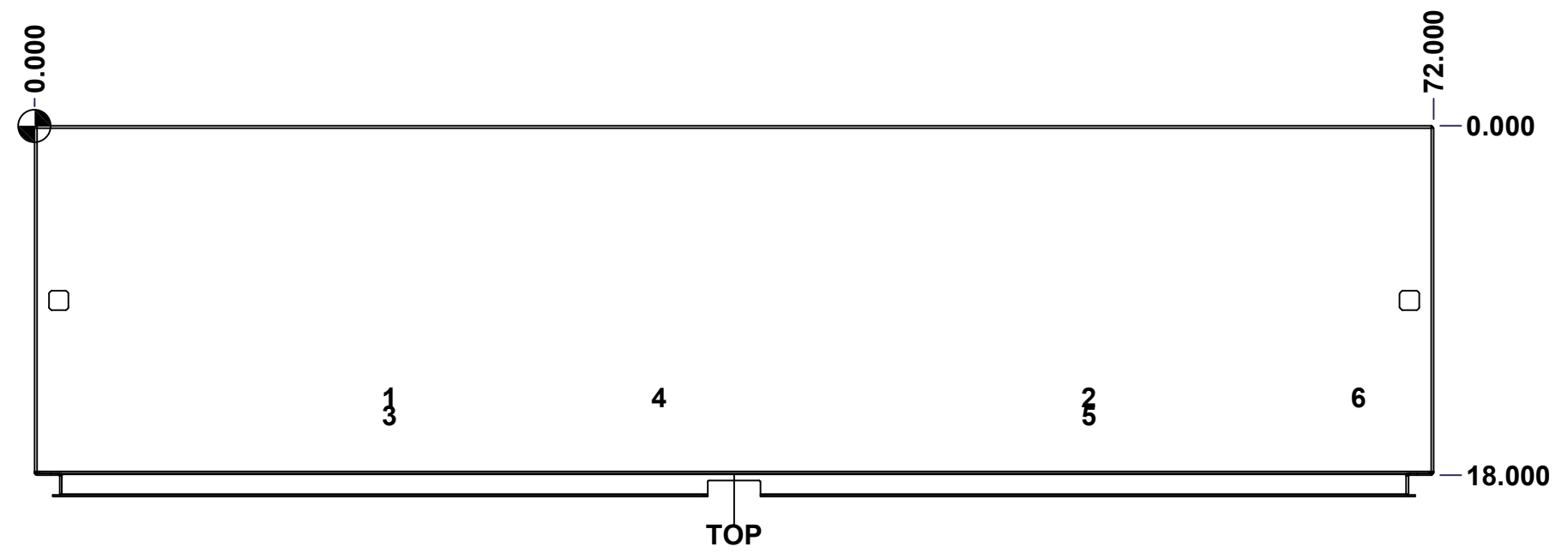
This drawing is confidential and must not be reproduced or used without the consent of EXM

Ce dessin est confidentiel et ne doit pas être reproduit ou utilisé sans le consentement de EXM

**STANDARD FEATURES ARE NOT LISTED IN THIS HOLE TABLE**

**HOLE TABLE - TOP VIEW (CUSTOM FEATURE ONLY)**

CUT-OUT	XDIM	YDIM	DESCRIPTION
1	18.000	14.000	Struts CR400 27.500" (Inside)
2	54.000	14.000	Struts CR400 27.500" (Inside)
3	18.000	14.929	STUDS M6 x 10mm (Inside)
4	31.866	14.000	STUDS M6 x 10mm (Inside)
5	54.000	14.929	STUDS M6 x 10mm (Inside)
6	67.866	14.000	STUDS M6 x 10mm (Inside)

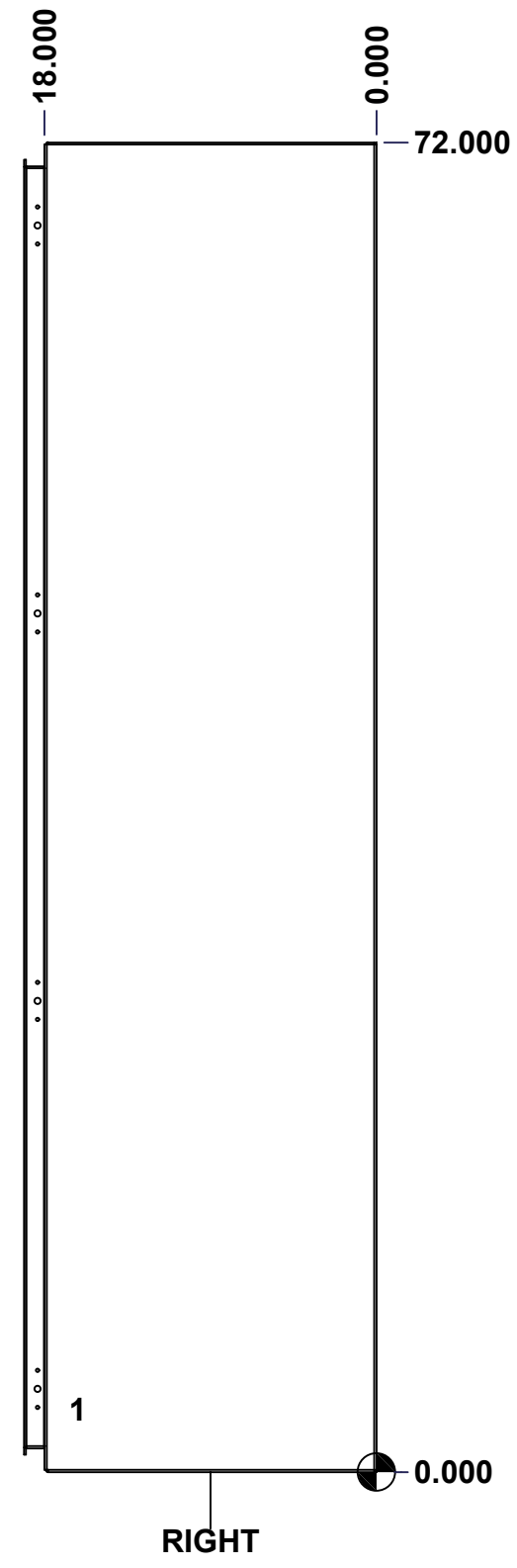


	Description	Status
	5412DDS 72" x 72" x 18" Body	(NULL)
	Part Number Numéro Pièce	Rev.
	<b>5412DDH727218B</b>	<b>0</b> / 4
		18

This drawing is confidential and must not be reproduced or used without the consent of EXM

Ce dessin est confidentiel et ne doit pas être reproduit ou utilisé sans le consentement de EXM

<b>STANDARD FEATURES ARE NOT LISTED IN THIS HOLE TABLE</b>			
<b>HOLE TABLE - RIGHT VIEW (CUSTOM FEATURE ONLY)</b>			
CUT-OUT	XDIM	YDIM	DESCRIPTION
1	16.500	3.375	GND STUD M6 x 16mm (Inside)



	Description	Status
	5412DDS 72" x 72" x 18" Body	(NULL)
	Part Number Numéro Pièce	Rev.
	<b>5412DDH727218B</b>	<b>0</b>
		5
		18

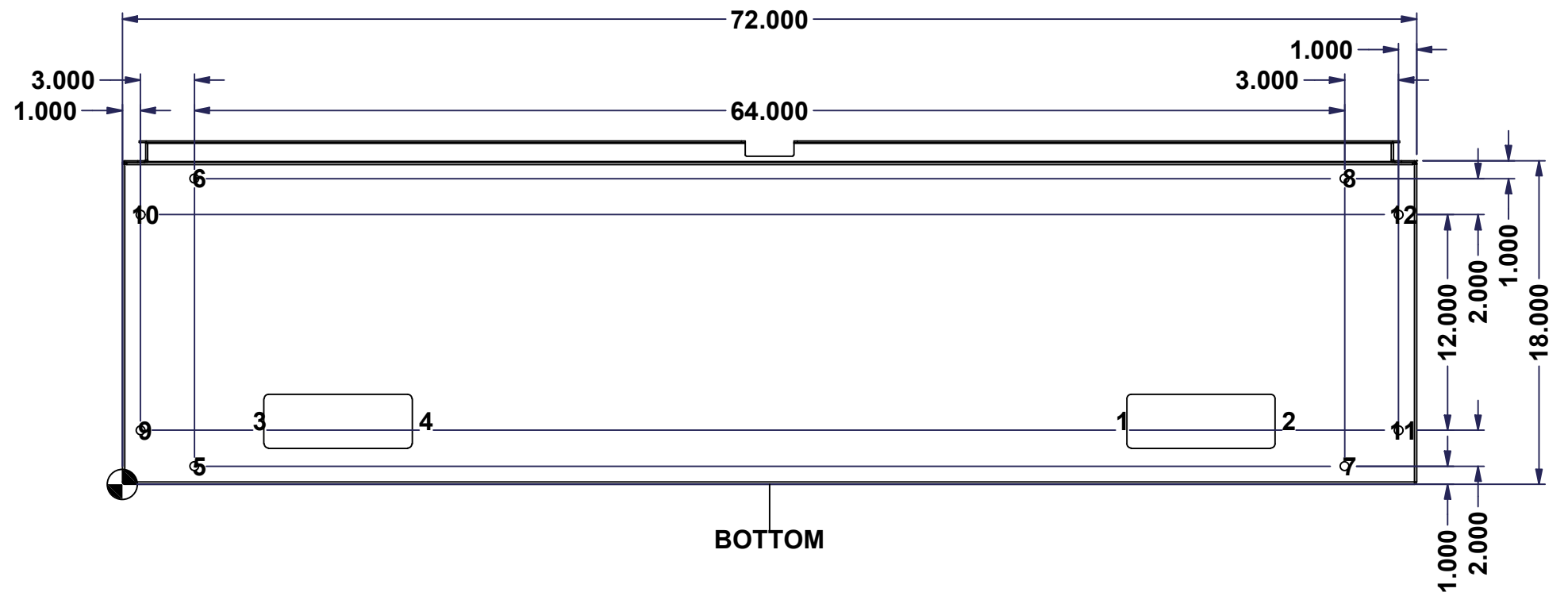
This drawing is confidential and must not be reproduced or used without the consent of EXM

Ce dessin est confidentiel et ne doit pas être reproduit ou utilisé sans le consentement de EXM

**STANDARD FEATURES ARE NOT LISTED IN THIS HOLE TABLE**

**HOLE TABLE - BOTTOM VIEW (CUSTOM FEATURE ONLY)**

CUT-OUT	XDIM	YDIM	DESCRIPTION
1	55.375	3.500	GP STUD M6 x 16mm (Inside)
2	64.625	3.500	GP STUD M6 x 16mm (Inside)
3	7.375	3.500	GP STUD M6 x 16mm (Inside)
4	16.625	3.500	GP STUD M6 x 16mm (Inside)
-----			
5	4.000	1.000	RND Ø0.500
6	4.000	17.000	RND Ø0.500
7	68.000	1.000	RND Ø0.500
8	68.000	17.000	RND Ø0.500
9	1.000	3.000	RND Ø0.500
10	1.000	15.000	RND Ø0.500
11	71.000	3.000	RND Ø0.500
12	71.000	15.000	RND Ø0.500



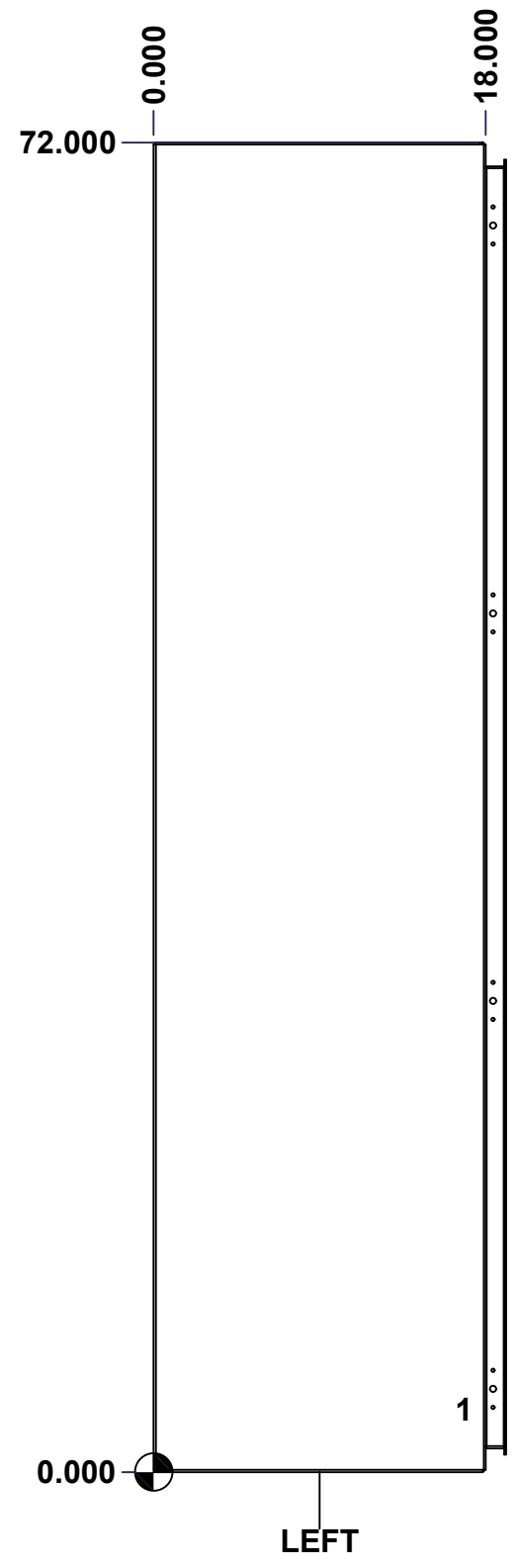
BOTTOM

	Description	Status
	5412DDS 72" x 72" x 18" Body	(NULL)
	Part Number	Rev.
	Numéro Pièce	6
	<b>5412DDH727218B</b>	<b>0</b>
		18

This drawing is confidential and must not be reproduced or used without the consent of EXM

Ce dessin est confidentiel et ne doit pas être reproduit ou utilisé sans le consentement de EXM

<b>STANDARD FEATURES ARE NOT LISTED IN THIS HOLE TABLE</b>			
<b>HOLE TABLE - LEFT VIEW (CUSTOM FEATURE ONLY)</b>			
CUT-OUT	XDIM	YDIM	DESCRIPTION
1	16.500	3.375	GND STUD M6 x 16mm (Inside)



	Description	Status	
	5412DDS 72" x 72" x 18" Body	(NULL)	
	Part Number Numéro Pièce	Rev.	
	<b>5412DDH727218B</b>	<b>0</b>	7 18

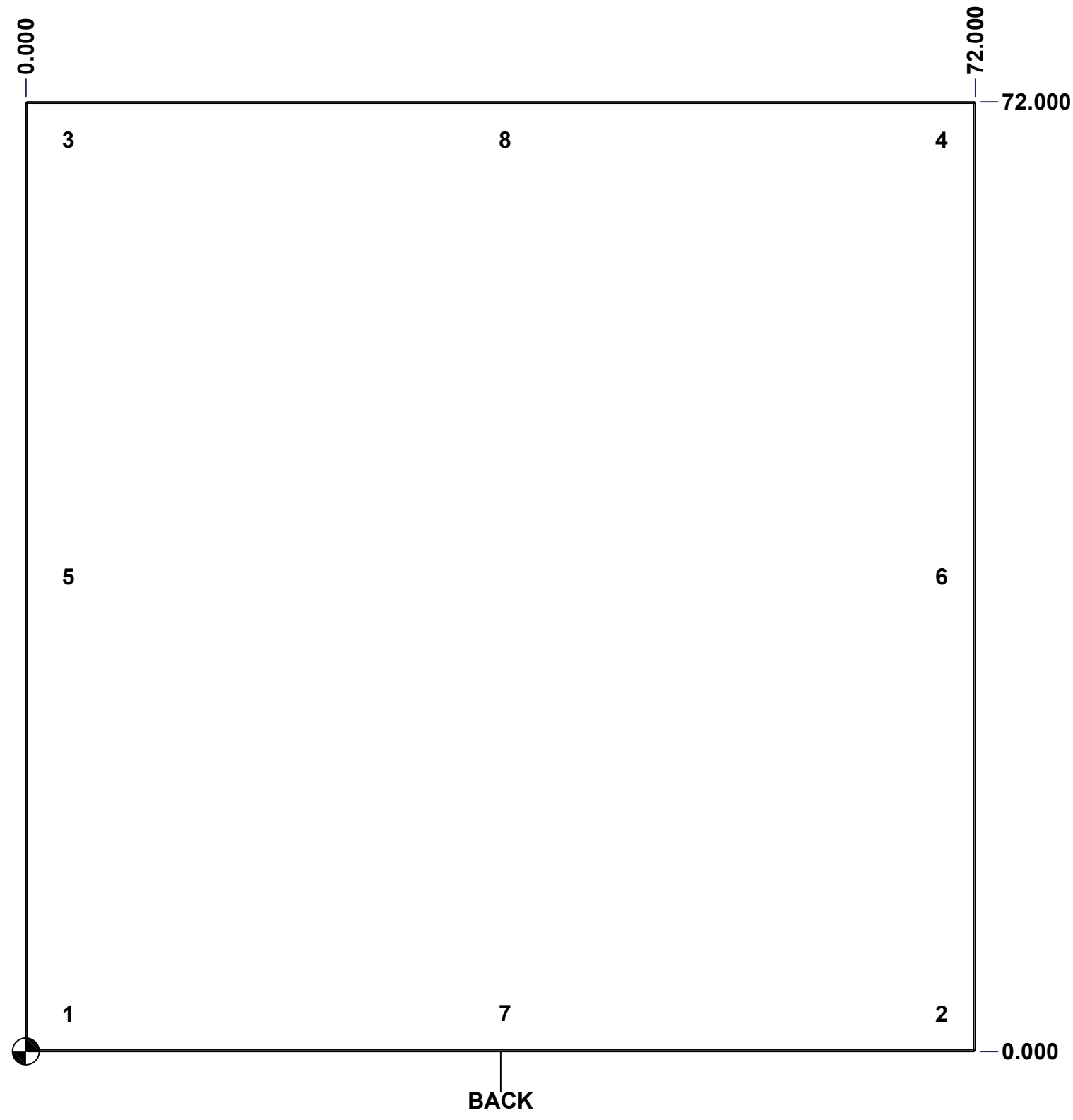
This drawing is confidential and must not be reproduced or used without the consent of EXM

Ce dessin est confidentiel et ne doit pas être reproduit ou utilisé sans le consentement de EXM

**STANDARD FEATURES ARE NOT LISTED IN THIS HOLE TABLE**

**HOLE TABLE - BACK VIEW (CUSTOM FEATURE ONLY)**

CUT-OUT	XDIM	YDIM	DESCRIPTION
1	2.875	2.875	IP STUD M10 x 40mm (Inside)
2	69.125	2.875	IP STUD M10 x 40mm (Inside)
3	2.875	69.125	IP STUD M10 x 40mm (Inside)
4	69.125	69.125	IP STUD M10 x 40mm (Inside)
5	2.875	36.000	IP STUD M10 x 40mm (Inside)
6	69.125	36.000	IP STUD M10 x 40mm (Inside)
7	36.000	2.875	IP STUD M10 x 40mm (Inside)
8	36.000	69.125	IP STUD M10 x 40mm (Inside)



	Description	Status
	5412DDS 72" x 72" x 18" Body	(NULL)
	Part Number Numéro Pièce	Rev.
	<b>5412DDH727218B</b>	<b>0</b> / 8

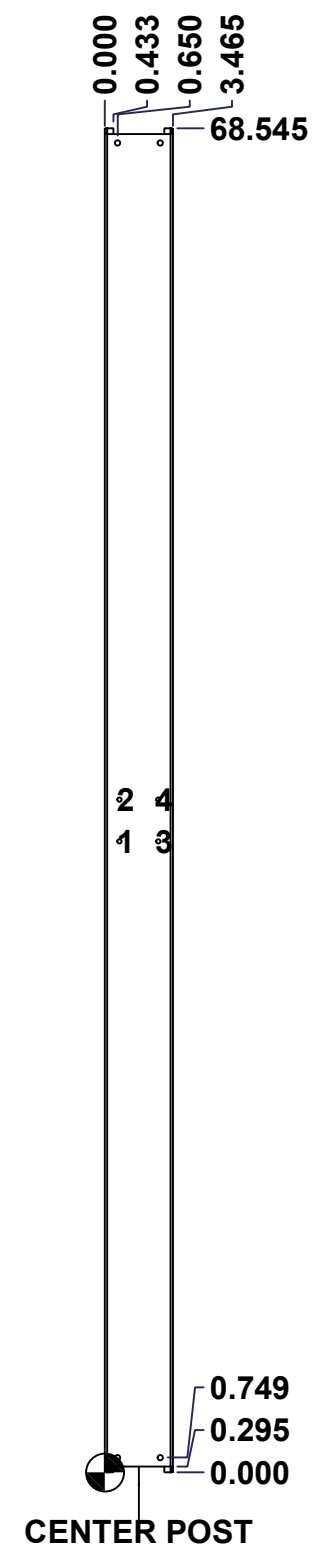
This drawing is confidential and must not be reproduced or used without the consent of EXM

Ce dessin est confidentiel et ne doit pas être reproduit ou utilisé sans le consentement de EXM

**STANDARD FEATURES ARE NOT LISTED IN THIS HOLE TABLE**

**HOLE TABLE - BACK VIEW (CUSTOM FEATURE ONLY)**

CUT-OUT	XDIM	YDIM	DESCRIPTION
1	0.748	32.179	PEM FH-M6-15ZI (Inside)
2	0.748	34.305	PEM FH-M6-15ZI (Inside)
3	2.717	32.179	PEM FH-M6-15ZI (Inside)
4	2.717	34.305	PEM FH-M6-15ZI (Inside)

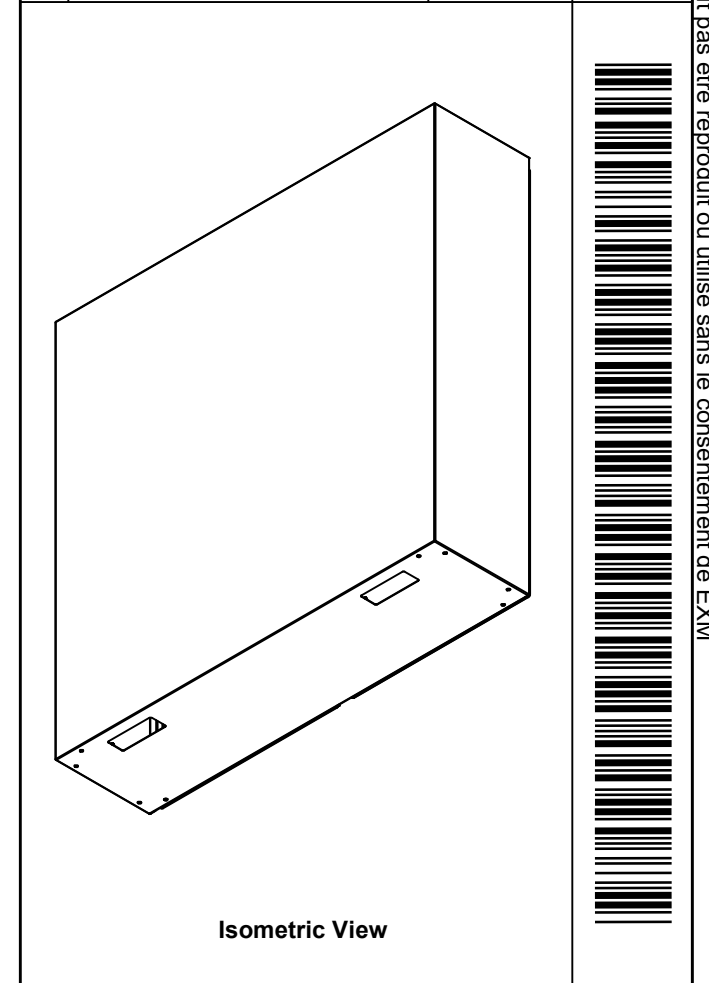


	Description	Status
	5412DDS 72" x 72" x 18" Body	(NULL)
	Part Number Numéro Pièce	Rev.
	<b>5412DDH727218B</b>	<b>0</b>
		9
		18

This drawing is confidential and must not be reproduced or used without the consent of EXM

Ce dessin est confidentiel et ne doit pas être reproduit ou utilisé sans le consentement de EXM

No.	Revisions	Date	By/Par



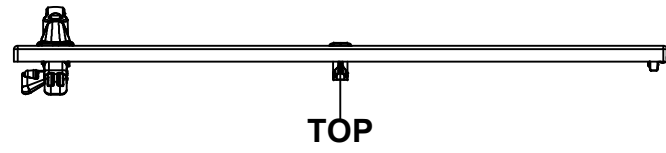
4	STK-PEM-FH-M6-15ZI	0	PEM Self-Clinching Stud M6 x 15.0mm
4	STK-Q-16030	0	Stud M6 x 10mm Steel
1	STK-P-02400S	0	Powder Paint (Asa-61 Grey / Smooth)
2	STK-Q-74900	0	Eyebolt Lifting Angle (8.750")
8	STK-Q-04056-12	0	M6 x 8mm Hexagon Socket Head Machine Screw with Nyseal
1	STK-K-75454	14	Center Post Freestanding Sealing Block with Latch Kit
1	5412DDH727218CP-P	0	5412DDS 72" Center Post Part
2	STK-Q-07320	0	Flange Lock Nut M10
2	STK-Q-07618	1	5500 Series Inner Panel Support Bracket
8	STK-Q-16100	0	Stud M10 x 40mm Steel
1	5412DDH727218B-P	0	5412DDS 72" x 72" Body Part
2	5412DDH727218_CR400 MS_27.5	0	Commercial Roll Mild Steel (27.5in long)
6	STK-Q-16080	0	Ground Stud M6 x 16mm Steel

Qty	Part Number	Rev	Description
Parts List			

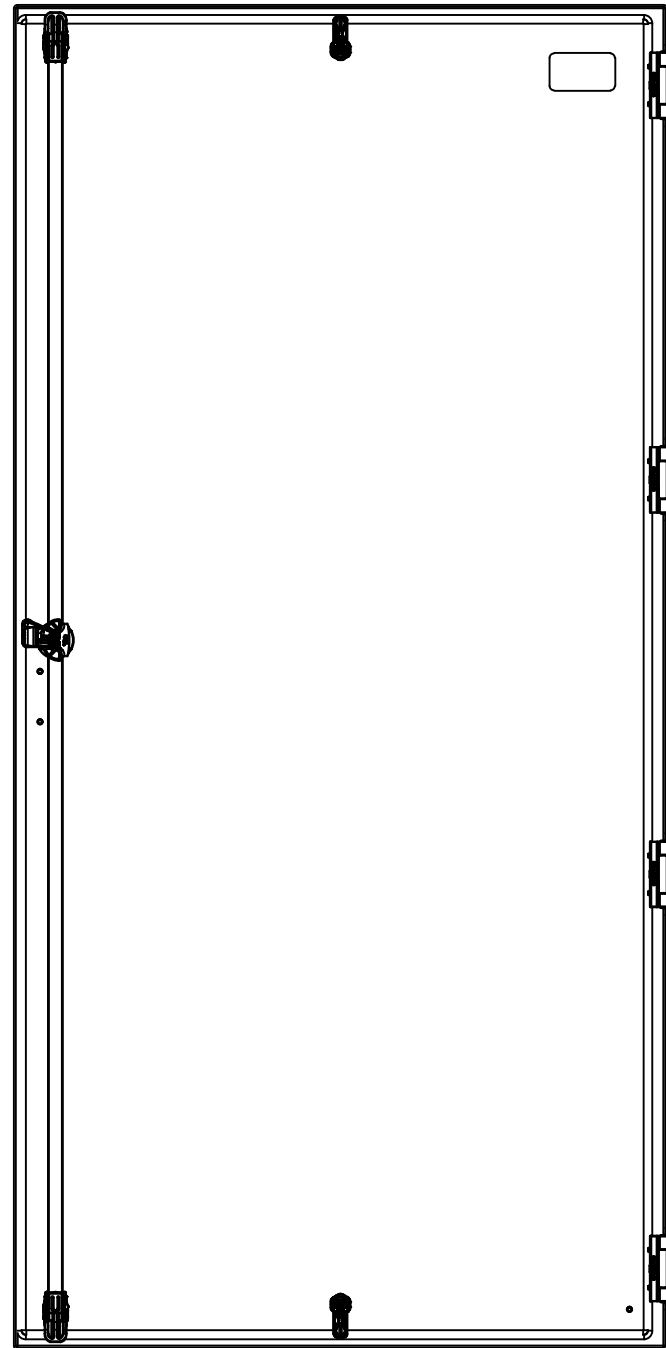
Tél: (450) 979-4373 Fax: (450) 979-4626 <a href="http://www.exmweb.com">www.exmweb.com</a>	Flatness Aplatissement	Max 3.0mm
	Projection	
Customer Client	Date	
Drawn By Dessiné Par	BoxCad: BoxCad	Date 11-Dec-23
Material Matière	12 Ga Cold Rolled A1008 CS Type B (2.5mm)	
Color Couleur	Asa-61 Grey	Finish Fini Smooth
Description	Detail Rev.	
5412DDS 72" x 72" x 18" Body		
Part Number Numéro Pièce	Rev. 0	10/18
<b>5412DDH727218B</b>		

This drawing is confidential and must not be reproduced or used without the consent of EXM

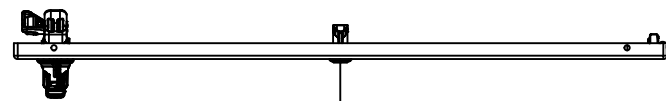
Ce dessin est confidentiel et ne doit pas être reproduit ou utilisé sans le consentement de EXM



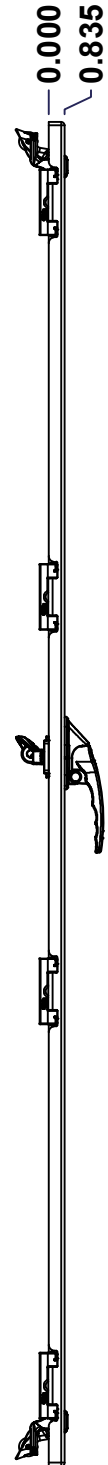
TOP



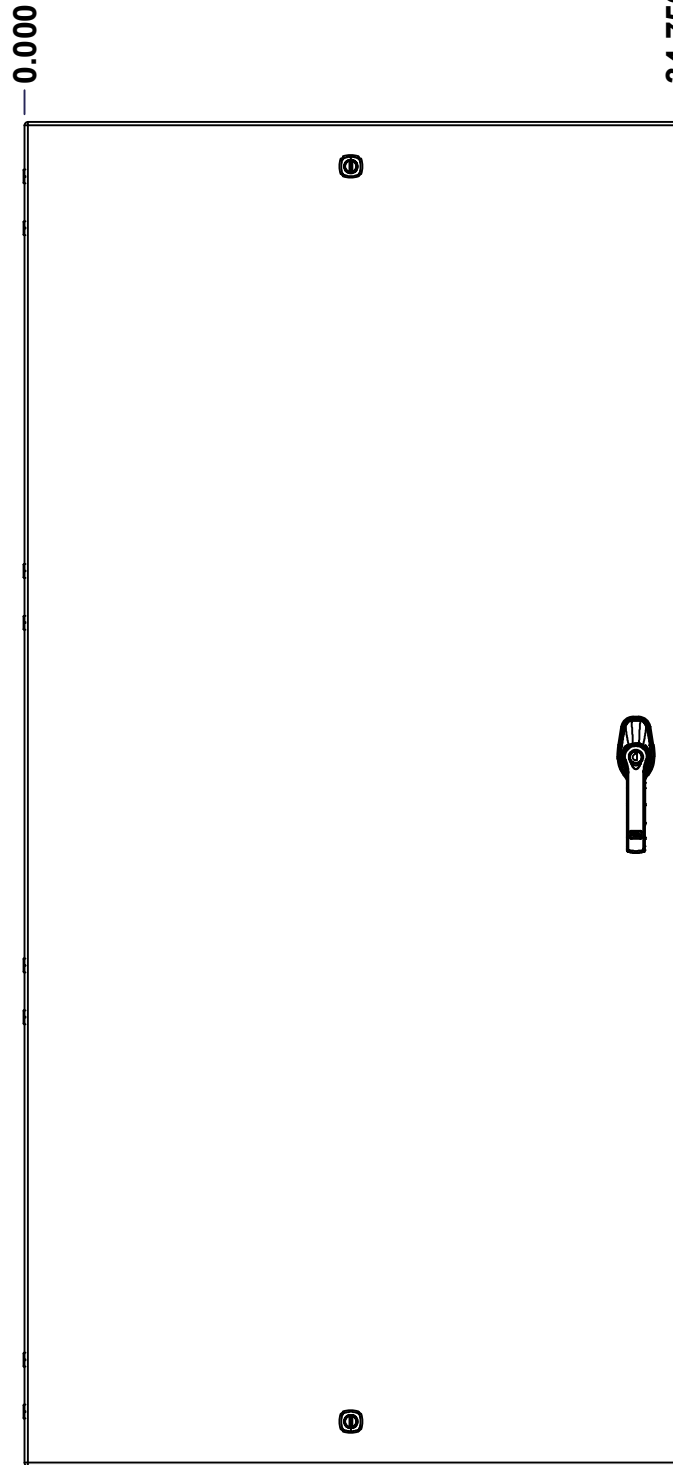
BACK



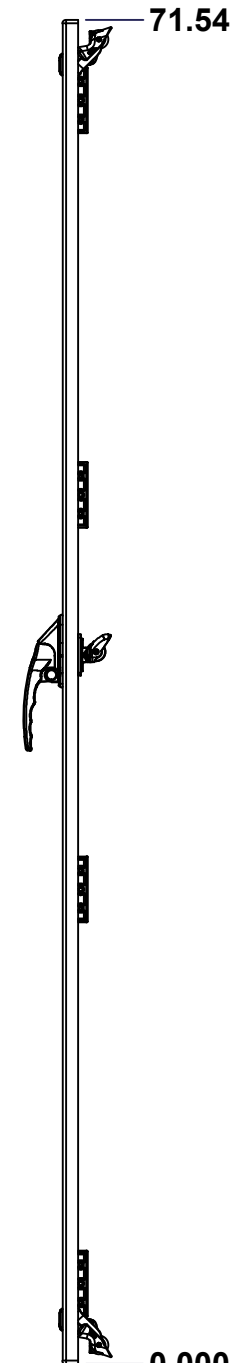
BOTTOM



LEFT

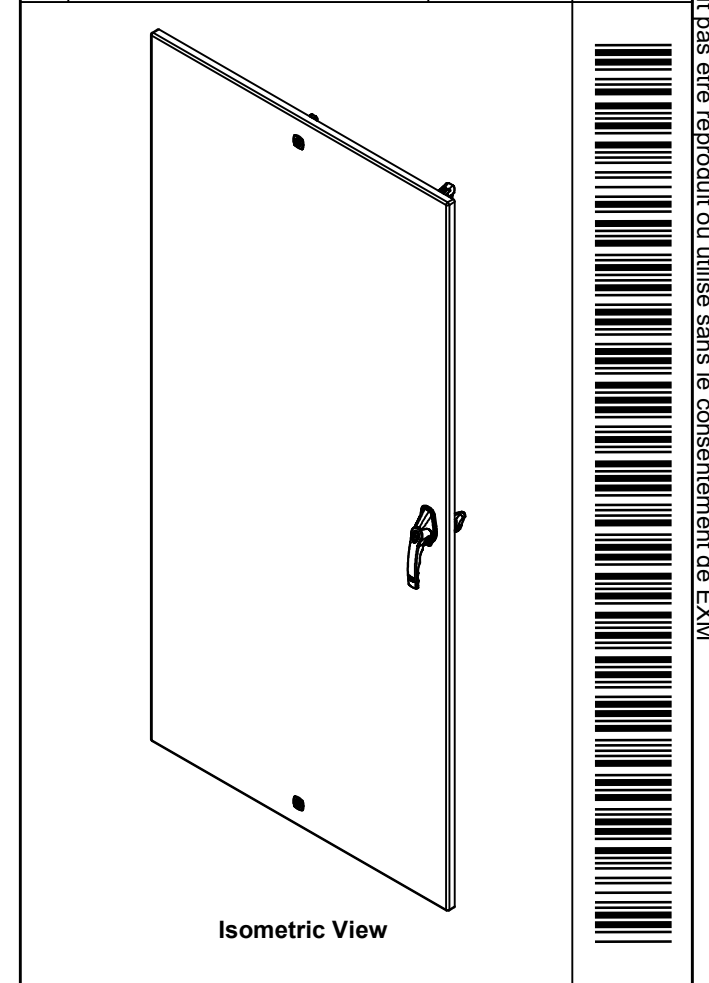



FRONT



RIGHT

No.	Revisions	Date	By/Par



 Tél: (450) 979-4373 Fax: (450) 979-4626 <a href="http://www.exmweb.com">www.exmweb.com</a>		Flatness Aplatissement
		Max 3.0mm
Customer Client		Date
Drawn By Dessiné Par BoxCad: BoxCad		Date 11-Dec-23
Material Matière 12 Ga Cold Rolled A1008 CS Type B (2.5mm)		
Color Couleur	Asa-61 Grey	Finish Fini Smooth
Description		Detail Rev.
5412DDS 72" x 72" Slave Door		
Part Number Numéro Pièce		Rev. 11
5412DDH727218LD		0 18

SEE BILL OF MATERIAL ON LAST PAGE

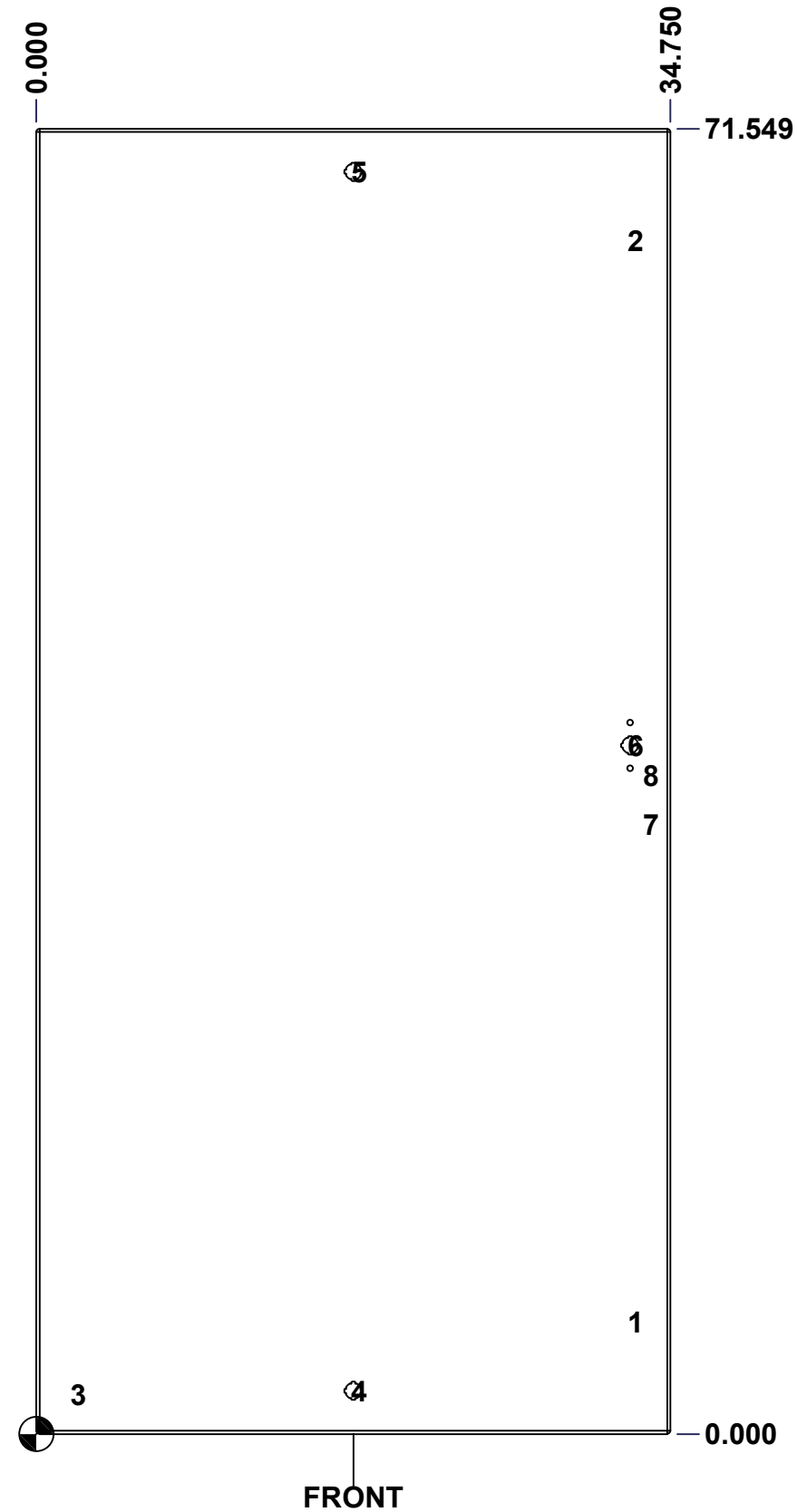
This drawing is confidential and must not be reproduced or used without the consent of EXM

Ce dessin est confidentiel et ne doit pas être reproduit ou utilisé sans le consentement de EXM

**STANDARD FEATURES ARE NOT LISTED IN THIS HOLE TABLE**

**HOLE TABLE - FRONT VIEW (CUSTOM FEATURE ONLY)**

CUT-OUT	XDIM	YDIM	DESCRIPTION
1	32.546	6.118	LARGE CBAR GUIDE (Inside)
2	32.546	65.431	LARGE CBAR GUIDE (Inside)
-----			
3	2.000	2.118	GND STUD M6 x 16mm (Inside)
4	17.375	2.368	LOCK 889 SCQ4-SL @ 270.0°
5	17.375	69.180	LOCK 889 SCQ4-SL @ 90.0°
6	32.546	37.743	HANDLE 885 ESL2A-APHK @ 0.0°
7	33.372	33.404	STUDS M6 x 18mm (Inside)
8	33.372	36.082	STUDS M6 x 18mm (Inside)

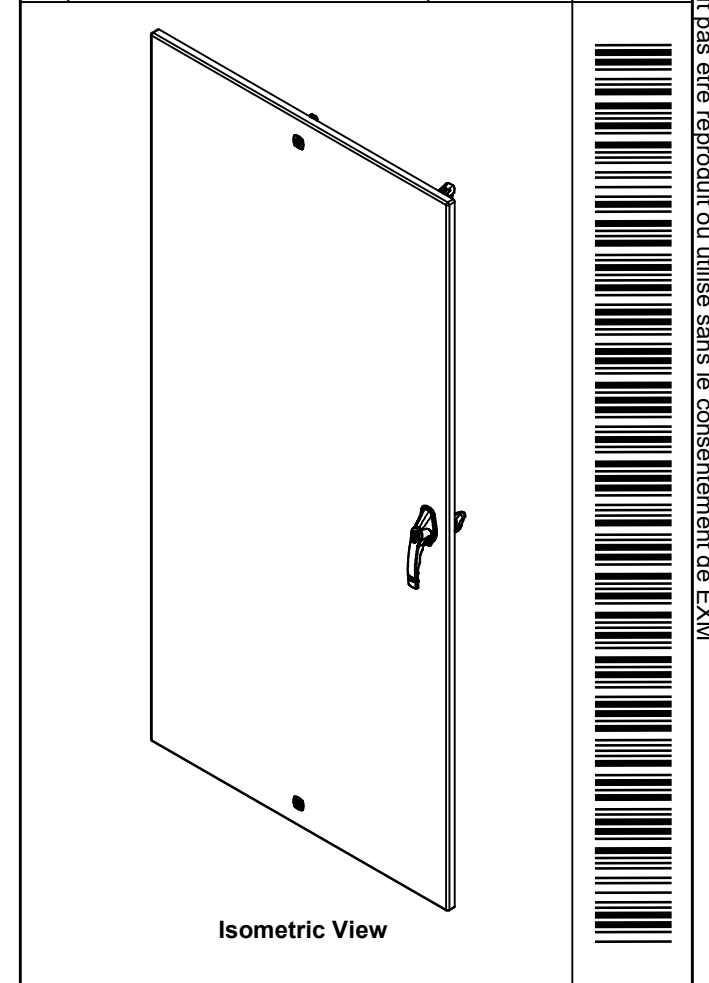


	Description	Status
	5412DDS 72" x 72" Slave Door	(NULL)
	Part Number Numéro Pièce	Rev.
	<b>5412DDH727218LD</b>	<b>0</b> 12 / 18

This drawing is confidential and must not be reproduced or used without the consent of EXM


Ce dessin est confidentiel et ne doit pas être reproduit ou utilisé sans le consentement de EXM

No.	Revisions	Date	By/Par



2	STK-Q-16050	1	Stud M6 x 18mm Steel
2	STK-Q-07220	1	M6 Nylon Insert Lock Nut
1	STK-Q-47542	1	5500 DDS Lower Closing Bar 72"
2	STK-A-90025	3	9500 - Cabinet Closing Bar End (Large)
1	STK-Q-47532	0	5500 DDS Upper Closing Bar 72"
1	STK-A-50538	3	9500 Handle Cam Assembly (Right Side, Grip 36mm)
1	STK-Q-90051	3	5412 ES - Handle Cam Spacer
1	885ESL2A-APHK	7	885 ESL2A-APHK - Zinc Die Cast L-Handle Padlockable Assy
2	STK-K-12580	0	9412 1/4 Turn Lock
1	STK-Q-16080	0	Ground Stud M6 x 16mm Steel
1	STK-P-02400S	0	Powder Paint (Asa-61 Grey / Smooth)
1	STK-S-00100	0	3.5" x 2" Silver Milar Flexcon Sticker
2	STK-Q-16410	0	Guide Stud - Largel (No Paint Cap Required)
4	STK-K-09860	7	Cabinet Hinge with Captive Pins
1	5412DDH727218DG	0	5412DDS 72" x 72" Door Gasket
1	5412DDH727218LD-P	0	5412DDS 72" x 72" Slave Door Part

QTY	Part Number	Rev	Description
Parts List			



Tél: (450) 979-4373  
Fax: (450) 979-4626  
[www.exmweb.com](http://www.exmweb.com)

Flatness  
Aplatissement  
Max 3.0mm

Projection

Customer Client

Drawn By / Dessiné Par: BoxCad: BoxCad

Material / Matière: 12 Ga Cold Rolled A1008 CS Type B (2.5mm)

Color / Couleur: Asa-61 Grey

Finish / Fini: Smooth

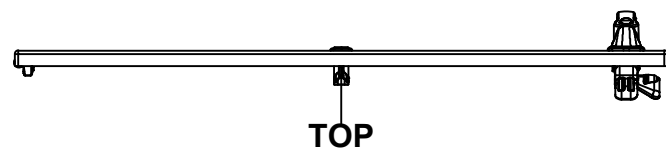
Description: 5412DDS 72" x 72" Slave Door

Part Number / Numéro Pièce: **5412DDH727218LD**

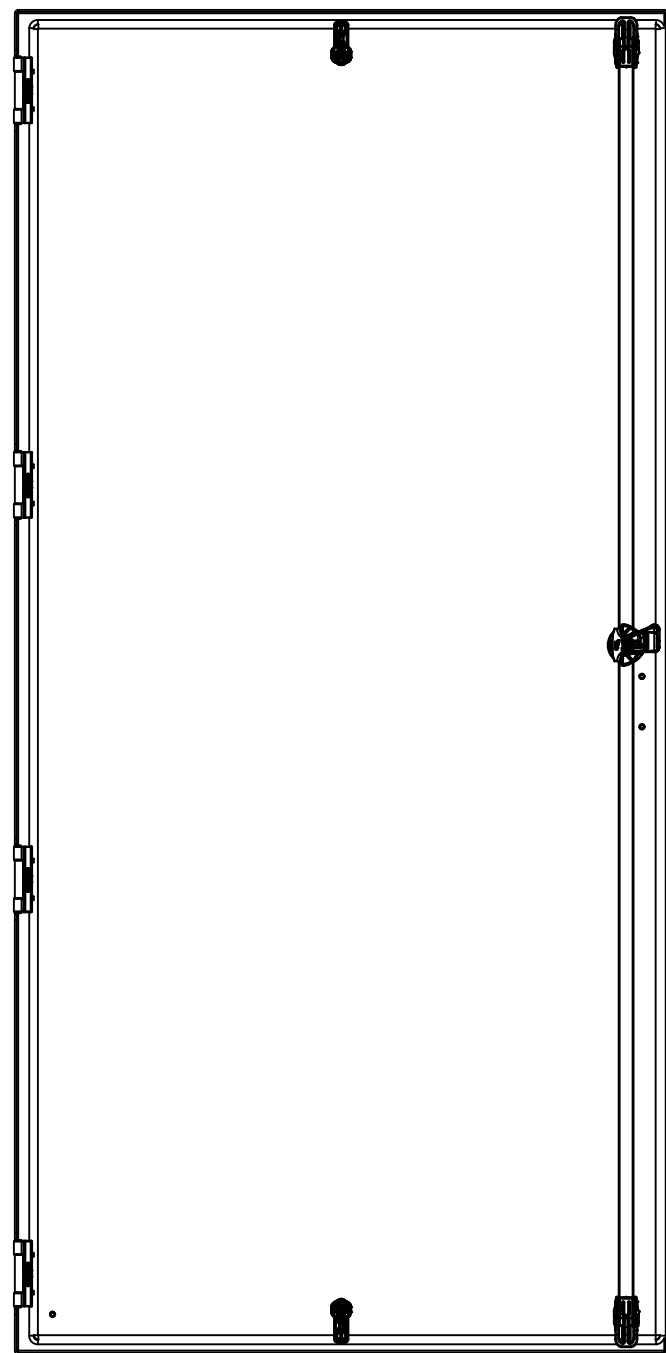
Date	11-Dec-23
Detail Rev.	13
Rev.	0

This drawing is confidential and must not be reproduced or used without the consent of EXM

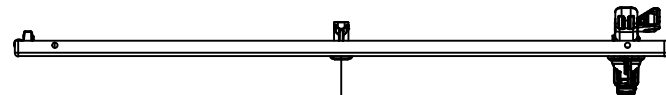
Ce dessin est confidentiel et ne doit pas être reproduit ou utilisé sans le consentement de EXM



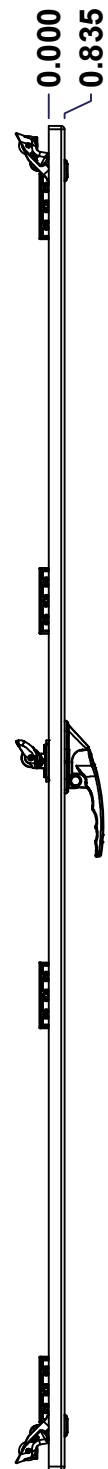
TOP



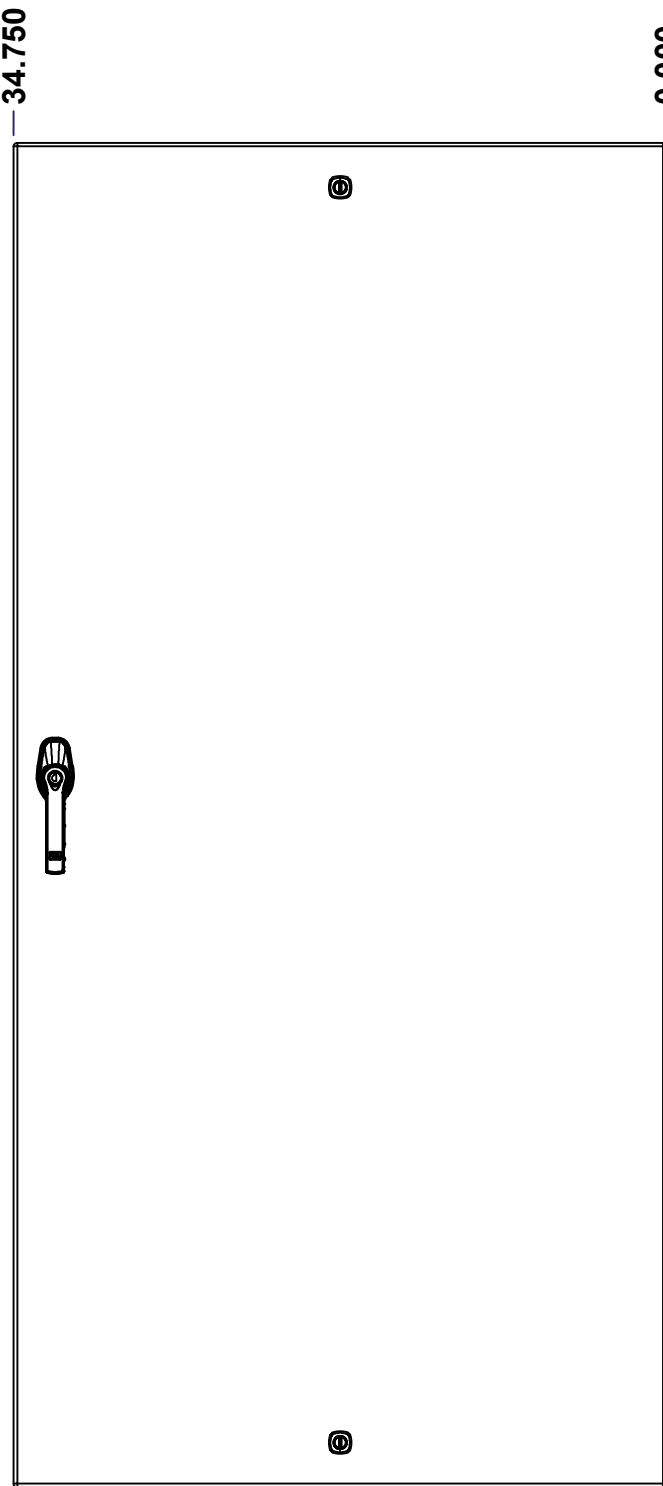
BACK



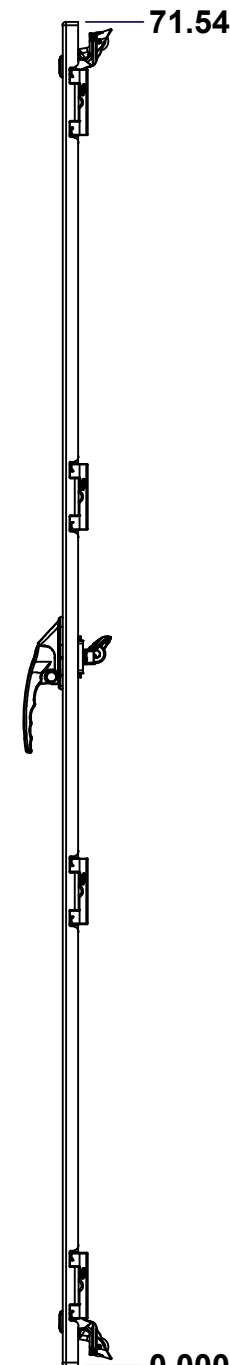
BOTTOM



LEFT

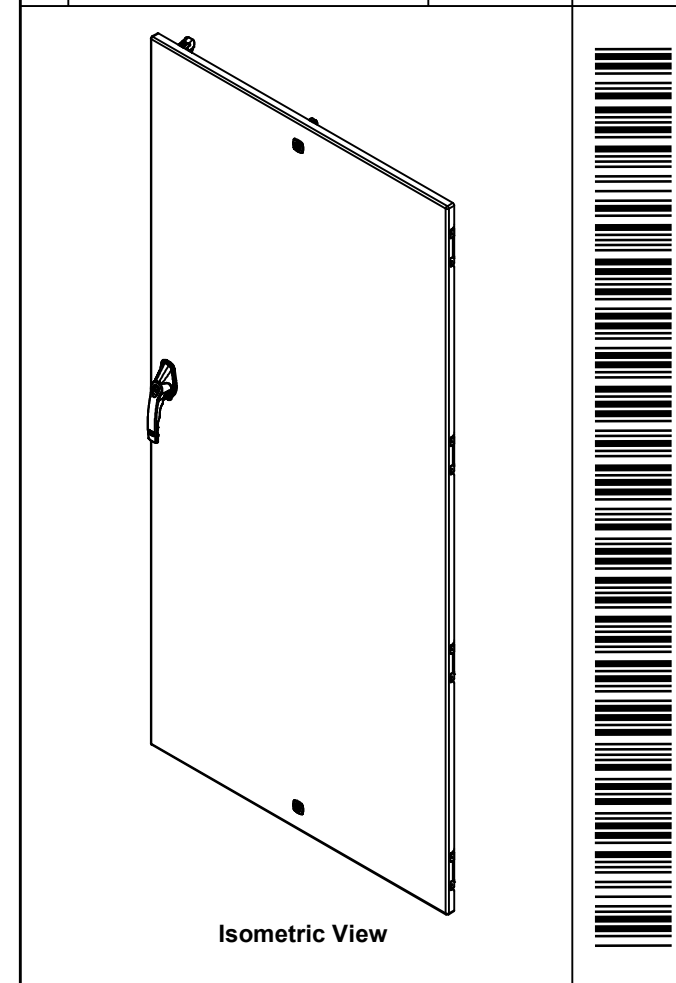


FRONT



RIGHT

No.	Revisions	Date	By/Par



**EXM**  
exm

Tél: (450) 979-4373  
Fax: (450) 979-4626  
[www.exmweb.com](http://www.exmweb.com)

Flatness  
Aplatissement  
Max 3.0mm

Projection

Customer Client	Date
Drawn By Dessiné Par BoxCad: BoxCad	Date 11-Dec-23

Material Matière 12 Ga Cold Rolled A1008 CS Type B (2.5mm)

Color Couleur	Asa-61 Grey	Finish Fini	Smooth
---------------	-------------	-------------	--------

Description	Detail Rev.
5412DDS 72" x 72" Master Door	

Part Number Numéro Pièce	Rev.	14
<b>5412DDH727218FD</b>	<b>0</b>	18

SEE BILL OF MATERIAL ON LAST PAGE

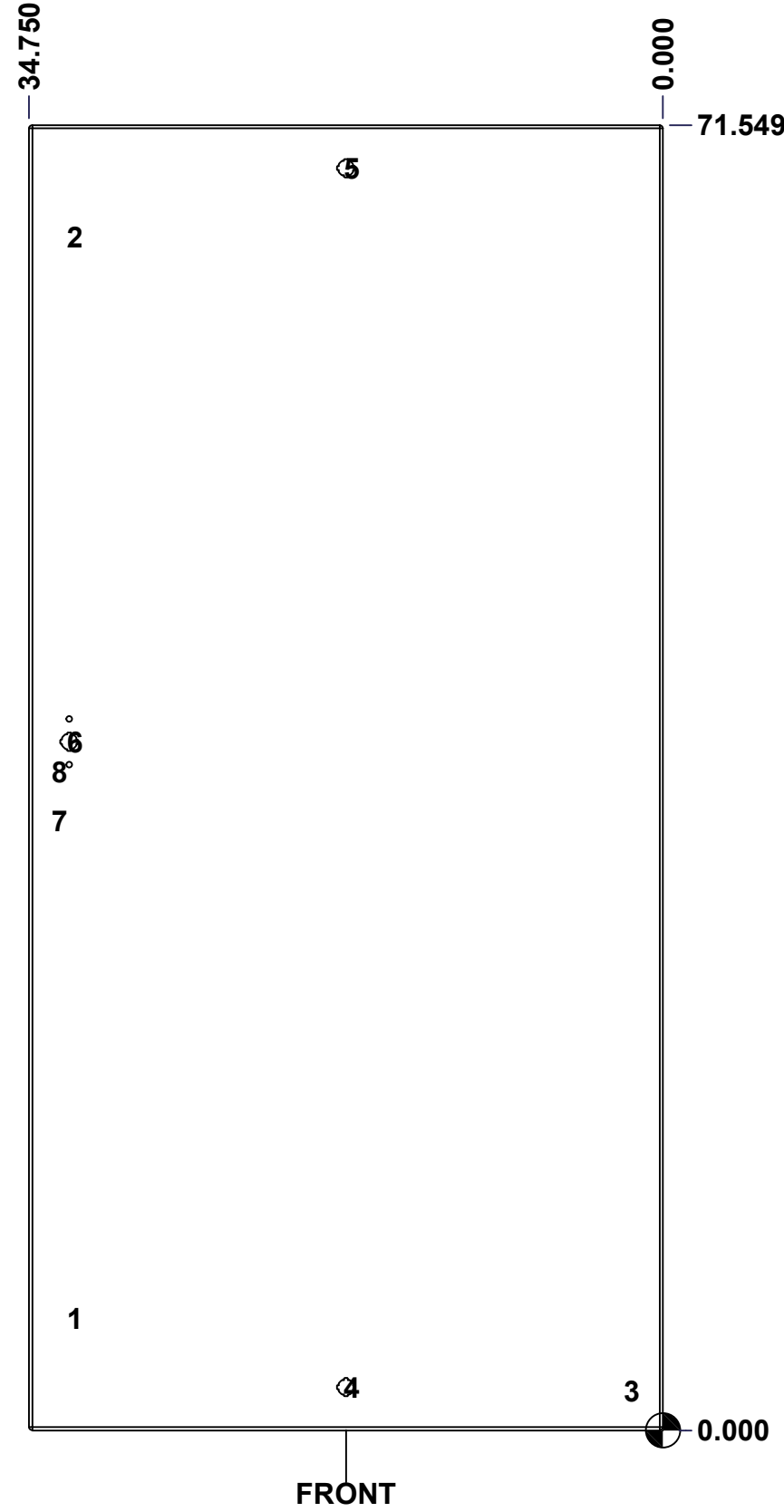
This drawing is confidential and must not be reproduced or used without the consent of EXM

Ce dessin est confidentiel et ne doit pas être reproduit ou utilisé sans le consentement de EXM

**STANDARD FEATURES ARE NOT LISTED IN THIS HOLE TABLE**

**HOLE TABLE - FRONT VIEW (CUSTOM FEATURE ONLY)**

CUT-OUT	XDIM	YDIM	DESCRIPTION
1	32.546	6.118	LARGE CBAR GUIDE (Inside)
2	32.546	65.431	LARGE CBAR GUIDE (Inside)
-----			
3	2.000	2.118	GND STUD M6 x 16mm (Inside)
4	17.375	2.368	LOCK 889 SCQ4-SL @ 270.0°
5	17.375	69.180	LOCK 889 SCQ4-SL @ 90.0°
6	32.546	37.743	HANDLE 885 ESL2A-APHK @ 0.0°
7	33.372	33.404	STUDS M6 x 18mm (Inside)
8	33.372	36.082	STUDS M6 x 18mm (Inside)

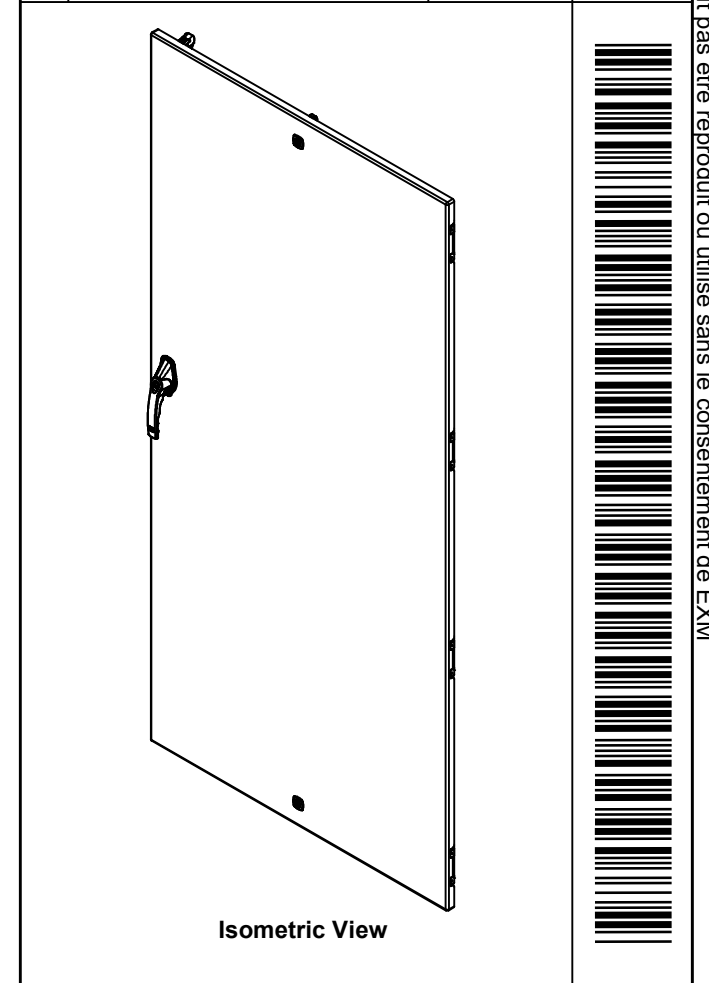


	Description	Status
	5412DDS 72" x 72" Master Door	(NULL)
	Part Number Numéro Pièce	Rev.
	<b>5412DDH727218FD</b>	<b>0</b>
		15
		18

This drawing is confidential and must not be reproduced or used without the consent of EXM

Ce dessin est confidentiel et ne doit pas être reproduit ou utilisé sans le consentement de EXM

No.	Revisions	Date	By/Par



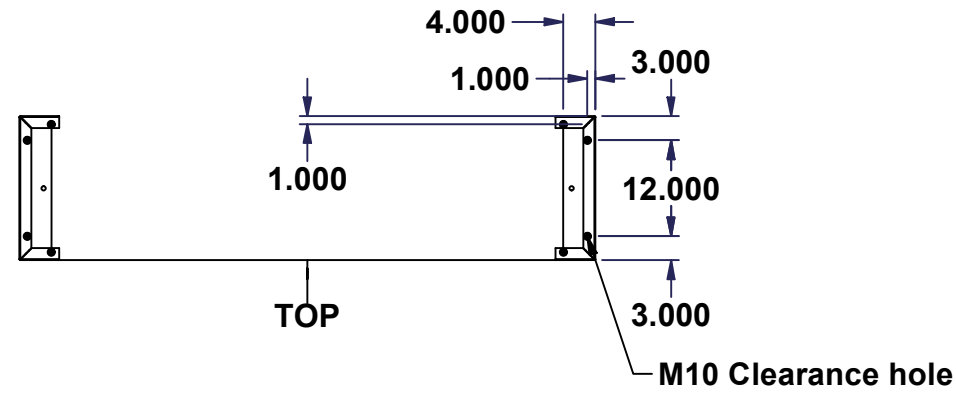
2	STK-Q-16050	1	Stud M6 x 18mm Steel
2	STK-Q-07220	1	M6 Nylon Insert Lock Nut
1	STK-Q-47542	1	5500 DDS Lower Closing Bar 72"
2	STK-A-90025	3	9500 - Cabinet Closing Bar End (Large)
1	STK-Q-47532	0	5500 DDS Upper Closing Bar 72"
1	STK-A-50537	3	9500 Handle Cam Assembly (Left Side, Grip 36mm)
1	STK-Q-90051	3	5412 ES - Handle Cam Spacer
1	885ESL2A-APHK	7	885 ESL2A-APHK - Zinc Die Cast L-Handle Padlockable Assy
2	STK-K-12580	0	9412 1/4 Turn Lock
1	STK-Q-16080	0	Ground Stud M6 x 16mm Steel
1	STK-P-02400S	0	Powder Paint (Asa-61 Grey / Smooth)
2	STK-Q-16410	0	Guide Stud - Largel (No Paint Cap Required)
4	STK-K-09860	7	Cabinet Hinge with Captive Pins
1	5412DDH727218DG	0	5412DDS 72" x 72" Door Gasket
1	5412DDH727218FD-P	0	5412DDS 72" x 72" Master Door Part

QTY	Part Number	Rev	Description
Parts List			

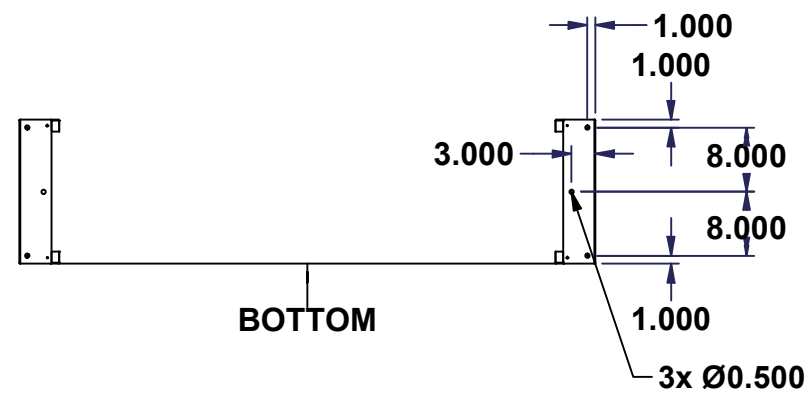
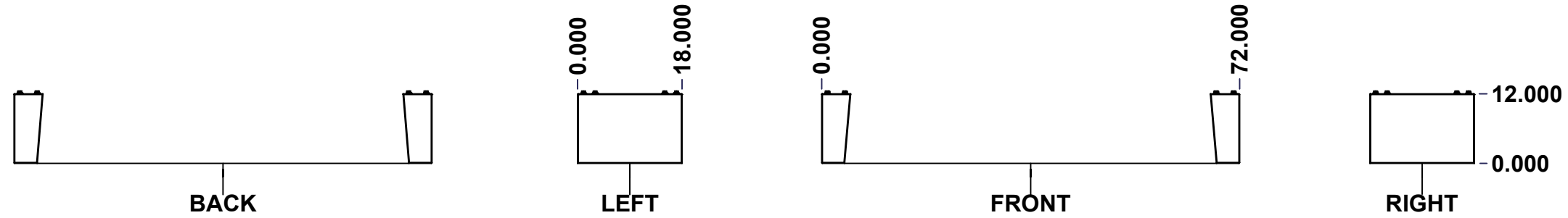
Tél: (450) 979-4373 Fax: (450) 979-4626 <a href="http://www.exmweb.com">www.exmweb.com</a>	Flatness Aplatissement	Max 3.0mm
	Projection	
Customer Client	Date	
Drawn By Dessiné Par	BoxCad: BoxCad	Date 11-Dec-23
Material Matière	12 Ga Cold Rolled A1008 CS Type B (2.5mm)	
Color Couleur	Asa-61 Grey	Finish Fini Smooth
Description	Detail Rev.	
5412DDS 72" x 72" Master Door		
Part Number Numéro Pièce	Rev.	16
<b>5412DDH727218FD</b>		<b>0</b>
		18

This drawing is confidential and must not be reproduced or used without the consent of EXM

Ce dessin est confidentiel et ne doit pas être reproduit ou utilisé sans le consentement de EXM

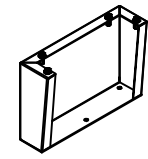
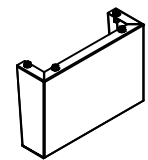


**ENCLOSURE CUTOUT LAYOUT**





**FLOOR ANCHORAGE LAYOUT**

No.	Revisions	Date	By/Par

**Isometric View**



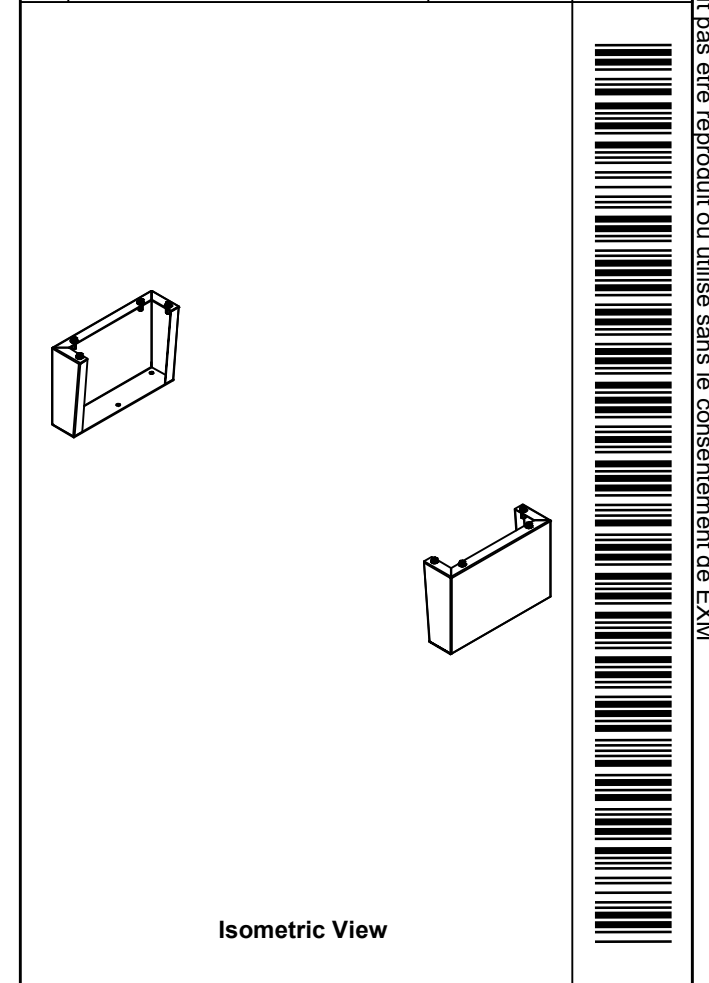
 Tél: (450) 979-4373 Fax: (450) 979-4626 <a href="http://www.exmweb.com">www.exmweb.com</a>		Flatness Aplatissement
		Max 3.0mm
Customer Client		Date
Drawn By Dessiné Par BoxCad: BoxCad		Date 11-Dec-23
Material Matière 12 Ga Cold Rolled A1008 CS Type B (2.5mm)		
Color Couleur	Asa-61 Grey	Finish Fini Smooth
Description 885 MFHD 12" x 18" Mounting Feet		Detail Rev.
Part Number Numéro Pièce <b>5412DDH727218MF</b>		Rev. 17 <b>0</b>


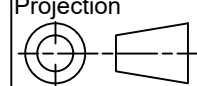
**SEE BILL OF MATERIAL ON LAST PAGE**

This drawing is confidential and must not be reproduced or used without the consent of EXM

Ce dessin est confidentiel et ne doit pas être reproduit ou utilisé sans le consentement de EXM

No.	Revisions	Date	By/Par



 Tél: (450) 979-4373 Fax: (450) 979-4626 <a href="http://www.exmweb.com">www.exmweb.com</a>		Flatness Aplatissement Max 3.0mm Projection 
Customer Client	Date	
Drawn By Dessiné Par	BoxCad: BoxCad	Date 11-Dec-23
Material Matière	12 Ga Cold Rolled A1008 CS Type B (2.5mm)	
Color Couleur	Asa-61 Grey	Finish Fini Smooth
Description		Detail Rev.
885 MFHD 12" x 18" Mounting Feet		
Part Number Numéro Pièce	Rev.	18
<b>5412DDH727218MF</b>	<b>0</b>	18

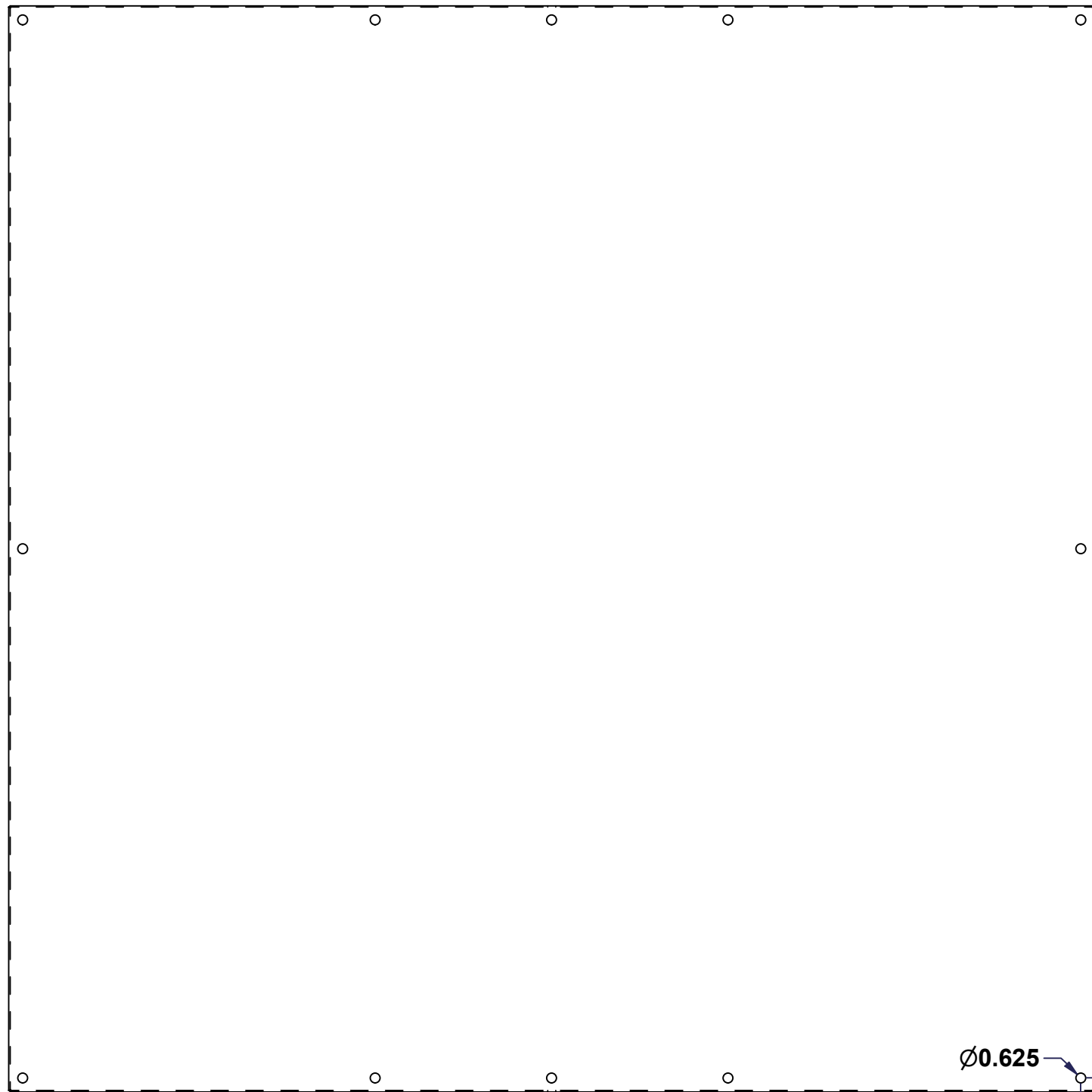
Qty	Part Name	Rev	Description
1	STK-P-02400S	0	Powder Paint (Asa-61 Grey / Smooth)
8	RIVET_NUT_M10_FH_CE	0	Rivet Nut M10 (Low Profile Close End)
1	5412DDH727218MFR-P	0	885 MFHD 12" x 18" Right Mounting Feet Part
1	5412DDH727218MFL-P	0	885 MFHD 12" x 18" Left Mounting Feet Part
4	STK-K-11600	2	885 MF Accessory Kit
Parts List			

This drawing is confidential and must not be reproduced or used without the consent of EXM

Ce dessin est confidentiel et ne doit pas être reproduit ou utilisé sans le consentement de EXM



TOP

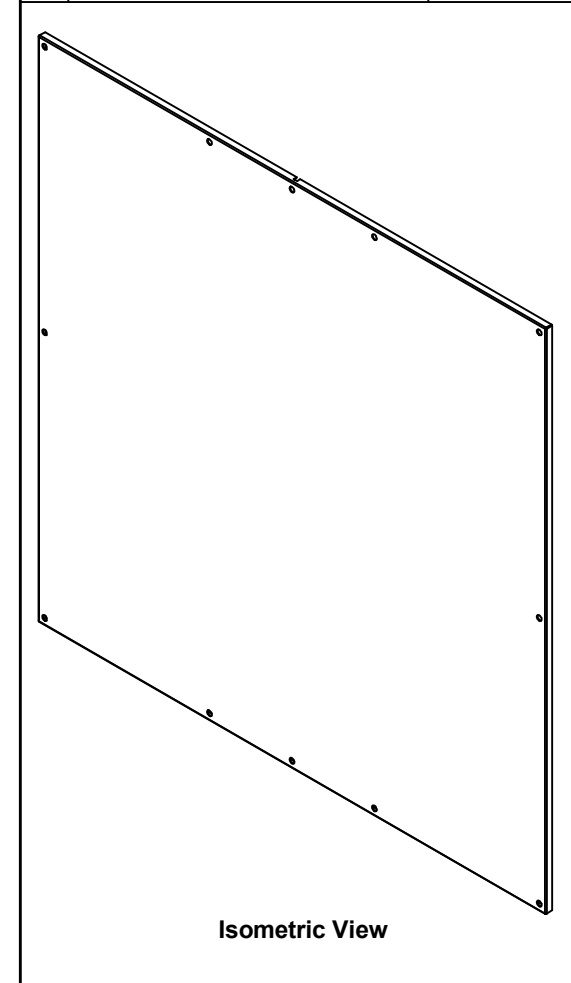


FRONT

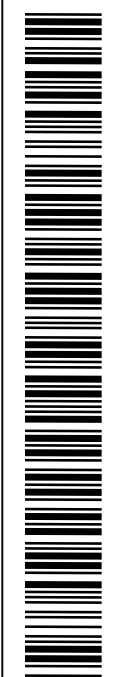


RIGHT

No.	Revisions	Date	By/Par



Isometric View



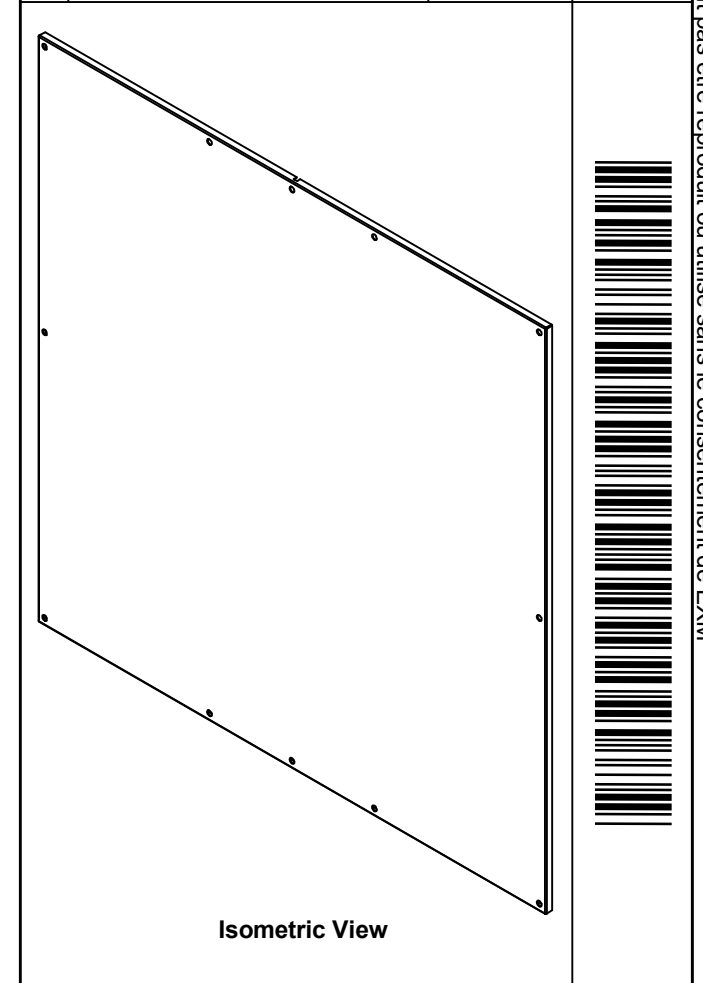
<p>Tél: (450) 979-4373 Fax: (450) 979-4626 www.exmweb.com</p>	Flatness Aplatissement Max 3.0mm
	Projection 
Customer Client	Date
Drawn By Dessiné Par BoxCad	Date 04/11/2009
Material Matière 12 Ga Cold Rolled A1008 CS Type B (2.5mm)	
Color Couleur White RAL9003	Finish Fini Smooth
Description 885 SP7272 Inner Panel	
Part Number Numéro Pièce <b>885SP7272</b>	Detail Rev. Rev. 1 0 2

SEE BILL OF MATERIAL ON LAST PAGE

This drawing is confidential and must not be reproduced or used without the consent of EXM

Ce dessin est confidentiel et ne doit pas être reproduit ou utilisé sans le consentement de EXM

No.	Revisions	Date	By/Par



Tél: (450) 979-4373 Fax: (450) 979-4626 www.exmweb.com		Flatness Aplatissement Max 3.0mm	
		Projection 	
Customer Client		Date	
Drawn By Dessiné Par BoxCad		Date 04/11/2009	
Material Matière 12 Ga Cold Rolled A1008 CS Type B (2.5mm)			
Color Couleur White RAL9003		Finish Fini Smooth	
Description 885 SP7272 Inner Panel			Detail Rev.
Part Number Numéro Pièce <b>885SP7272</b>			Rev. <b>0</b> / 2

Qty	Part Number	Rev	Description
1	STK-P-02401S	0	Powder Paint (White / Smooth)
1	885SP7272-P	0	885 SP7272 Inner Panel Part
Parts List			