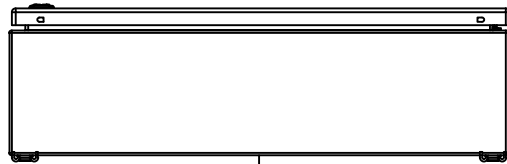
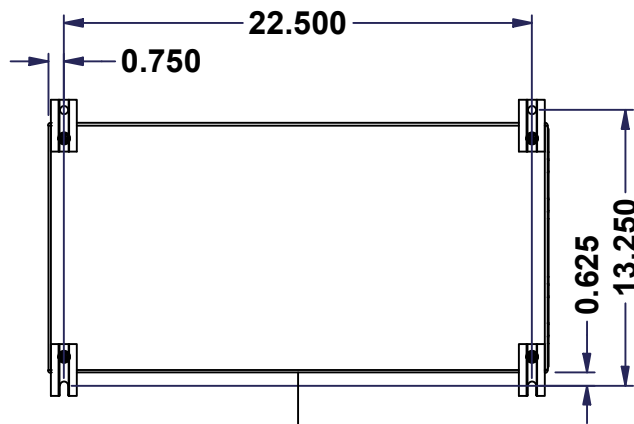


This drawing is confidential and must not be reproduced or used without the consent of EXM

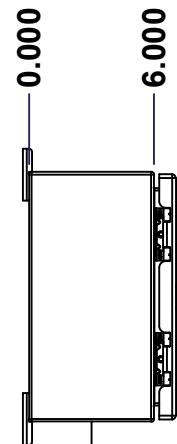
Ce dessin est confidentiel et ne doit pas être reproduit ou utilisé sans le consentement de EXM



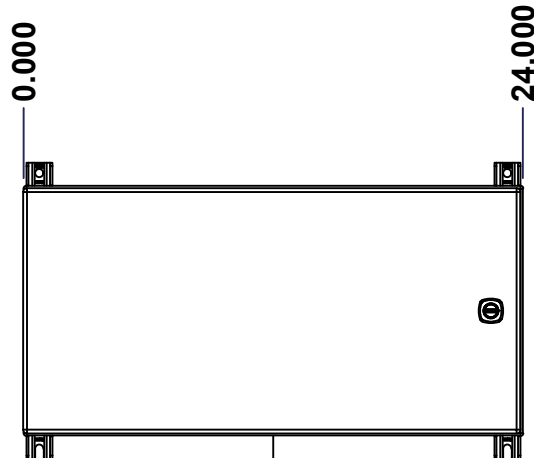
TOP



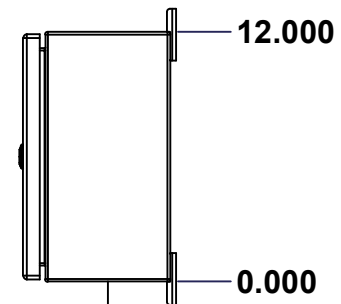
BACK



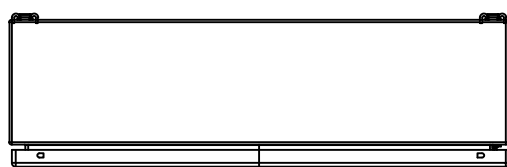
LEFT



FRONT

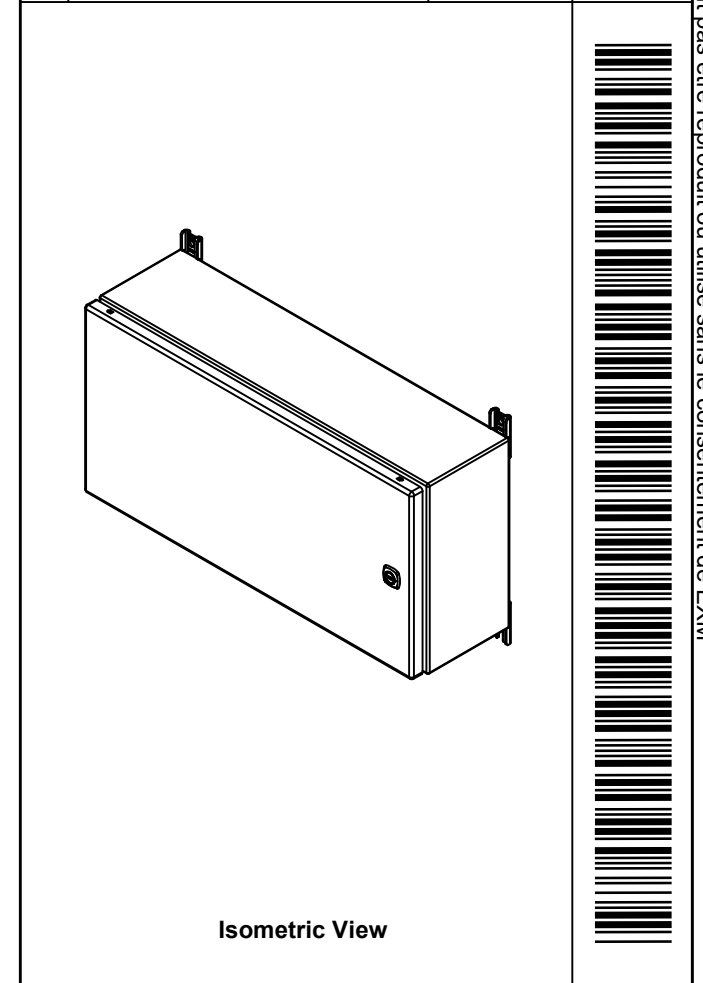


RIGHT




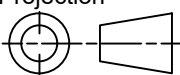
BOTTOM

| No. | Revisions | Date | By/Par |
|-----|-----------|------|--------|
|     |           |      |        |
|     |           |      |        |
|     |           |      |        |
|     |           |      |        |



Isometric View



|  |                           |   |
|--|---------------------------|---|
|  Tél: (450) 979-4373<br>Fax: (450) 979-4626<br><a href="http://www.exmweb.com">www.exmweb.com</a> |                           | Flatness<br>Aplatissement<br>Max 3.0mm<br>Projection<br> |
| Customer Client  | Date                      |   |
| Drawn By<br>Dessiné Par  | BoxCad: BoxCad            | Date 21-Jan-25  |
| Material<br>Matière  | Aluminum 5052-H32 (2.3mm) |   |
| Color<br>Couleur   | Asa-61 Grey               | Finish<br>Fini Smooth   |
| Description  | Detail Rev.               |   |
| 5412EAL 12" x 24" x 6" Assembly  |                           |   |
| Part Number<br>Numéro Pièce  | Rev.                      | 1   |
| 5412EAL122406TH  | 0                         | 16  |

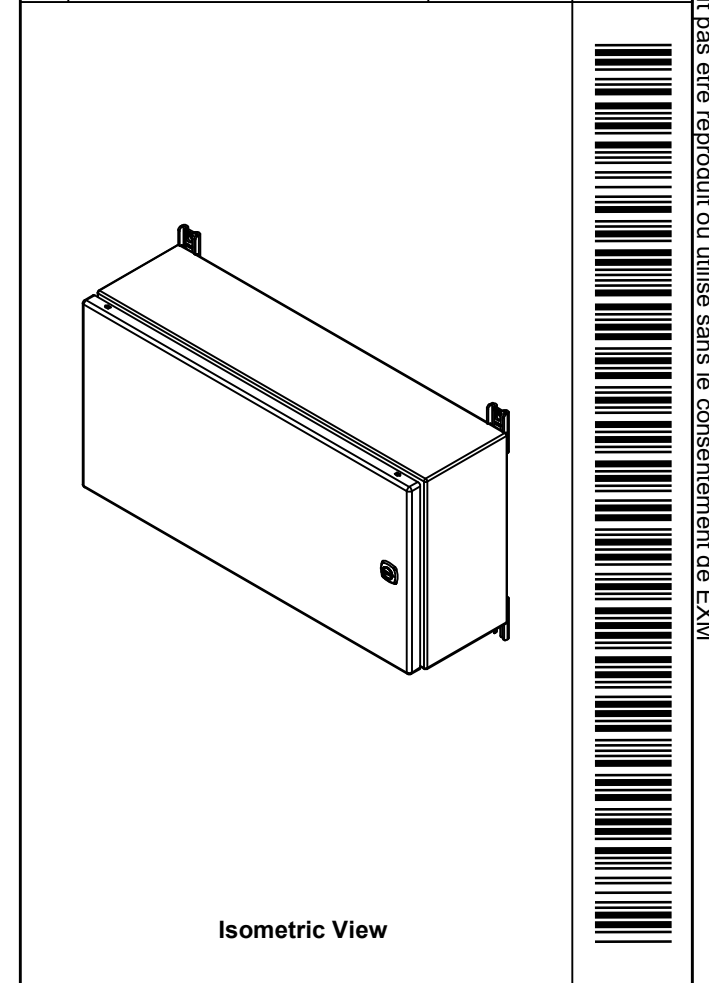
SEE BILL OF MATERIAL ON LAST PAGE

This drawing is confidential and must not be reproduced or used without the consent of EXM

Ce dessin est confidentiel et ne doit pas être reproduit ou utilisé sans le consentement de EXM

| NOTE |   |
|------|---|
| ITEM | DESCRIPTION                                     |
| 1    | NEMA 4X Enclosure (IP66)                        |
| 2    | C/W Standard ground studs on box and cover      |
| 3    | C/W Standard door stiffener                     |
| 4    | C/W Standard inner panel (Included)             |
| 5    | C/W Standard inner panel mounting studs         |
| 6    | C/W 880 PP included (Not installed)             |
| 7    | C/W 885 ESMF4_OPEN Sold separately (Installed)  |
| 8    | C/W 885 ESMF4_CLOSE Sold separately (Installed) |
| 9    | C/W R5 Insulation (Installed aluminum visible)  |

| No. | Revisions | Date | By/Par |
|-----|-----------|------|--------|
|     |           |      |        |
|     |           |      |        |
|     |           |      |        |
|     |           |      |        |
|     |           |      |        |



|  |  |  |
|--|--|--|
|  | Tél: (450) 979-4373<br>Fax: (450) 979-4626<br><a href="http://www.exmweb.com">www.exmweb.com</a> | Flatness<br>Aplatissement<br>Max 3.0mm<br>Projection<br> |
|  | Customer Client<br>Drawn By / Dessiné Par: BoxCad: BoxCad<br>Date: 21-Jan-25                     | Date<br>Date: 21-Jan-25                                  |

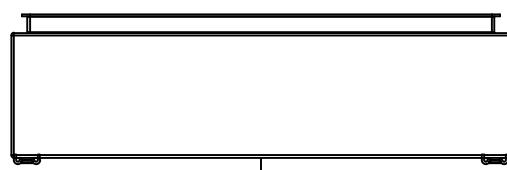
| PACKING               |     |  |
|-----------------------|-----|--|
| ITEM                  | QTY | DESCRIPTION                                |
| Cardboard sleeve      | 2   | Top and Bottom                             |
| Cardboard strip       | 2   | Between back of enclosure and inner panel  |
| Plastic bag           | 1   | To protect cover surface and inside gasket |
| Plastic strap - Black | 2   | To Squeeze the 2 cardboard sleeve together |
| Packaging label       | 1   | White label with product number            |

| Qty        | Part Number      | Rev | Description                                |
|------------|------------------|-----|--|
| 4          | STK-Q-00600      | 2   | M12 to M8 Adaptor                          |
| 1          | 881 SP2412G      | 0   | 881 SP - Inner Panel                       |
| 1          | 880 PP           | 6   | Self Adhesive Print Pocket                 |
| 1          | STK-K-01800      | 5   | 5412 ES Accessory Kit                      |
| 1          | 5412EAL122406THC | 0   | 5412EAL 12" x 24" Cover                    |
| 1          | 5412EAL122406THB | 0   | 5412EAL 12" x 24" x 6" Body                |
| 2          | STK-Q-04050-08   | 0   | M6 x 8mm Hexagon Socket Head Machine Screw |
| Parts List |                  |     |  |

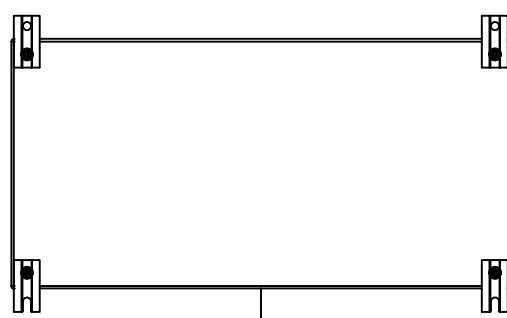
|  |                       |
|--|-----------------------|
| Color / Couleur: Asa-61 Grey                       | Finish / Fini: Smooth |
| Description: 5412EAL 12" x 24" x 6" Assembly       |                       |
| Part Number / Numéro Pièce: <b>5412EAL122406TH</b> | Rev. 0                |
| 2 / 16   |                       |

This drawing is confidential and must not be reproduced or used without the consent of EXM

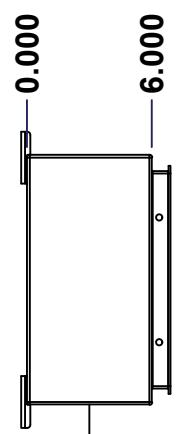
Ce dessin est confidentiel et ne doit pas être reproduit ou utilisé sans le consentement de EXM



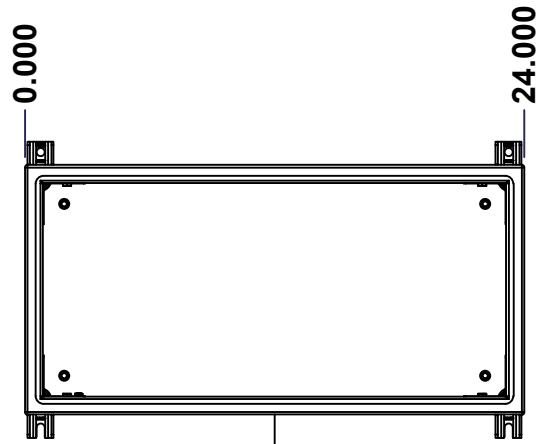
TOP



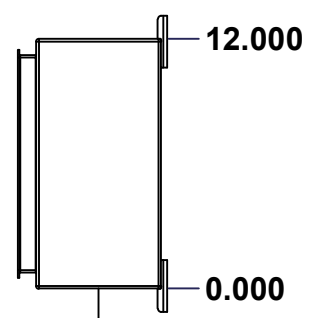
BACK



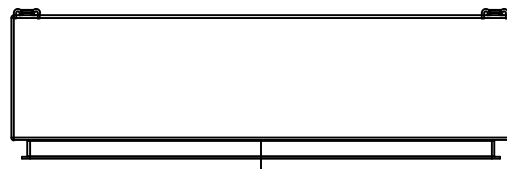
LEFT



FRONT

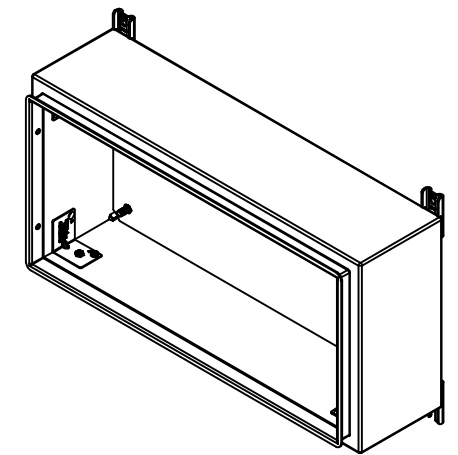


RIGHT



BOTTOM

| No. | Revisions | Date | By/Par |
|-----|-----------|------|--------|
|     |           |      |        |
|     |           |      |        |
|     |           |      |        |
|     |           |      |        |



Isometric View



Tél: (450) 979-4373  
 Fax: (450) 979-4626  
[www.exmweb.com](http://www.exmweb.com)

Flatness  
Aplatissement  
Max 3.0mm  
Projection

|   |                       |
|---|-----------------------|
| Customer Client                               | Date                  |
| Drawn By / Dessiné Par: BoxCad: BoxCad        | Date: 21-Jan-25       |
| Material / Matière: Aluminum 5052-H32 (2.3mm) |                       |
| Color / Couleur: Asa-61 Grey                  | Finish / Fini: Smooth |
| Description: 5412EAL 12" x 24" x 6" Body      | Detail Rev.           |

|   |               |   |
|---|---------------|---|
| Part Number / Numéro Pièce: <b>5412EAL122406THB</b> | Rev. <b>0</b> | 3 |
|---|---------------|---|

SEE BILL OF MATERIAL ON LAST PAGE

This drawing is confidential and must not be reproduced or used without the consent of EXM

Ce dessin est confidentiel et ne doit pas être reproduit ou utilisé sans le consentement de EXM

| <b>STANDARD FEATURES ARE NOT LISTED IN THIS HOLE TABLE</b> |        |       |                                |
|--|--------|-------|--------------------------------|
| <b>HOLE TABLE - TOP VIEW (CUSTOM FEATURE ONLY)</b>         |        |       |                                |
| CUT-OUT  | XDIM   | YDIM  | DESCRIPTION                    |
| 1  | 2.000  | 4.500 | INSUL. STUD M6 x 18mm (Inside) |
| 2  | 22.000 | 4.500 | INSUL. STUD M6 x 18mm (Inside) |

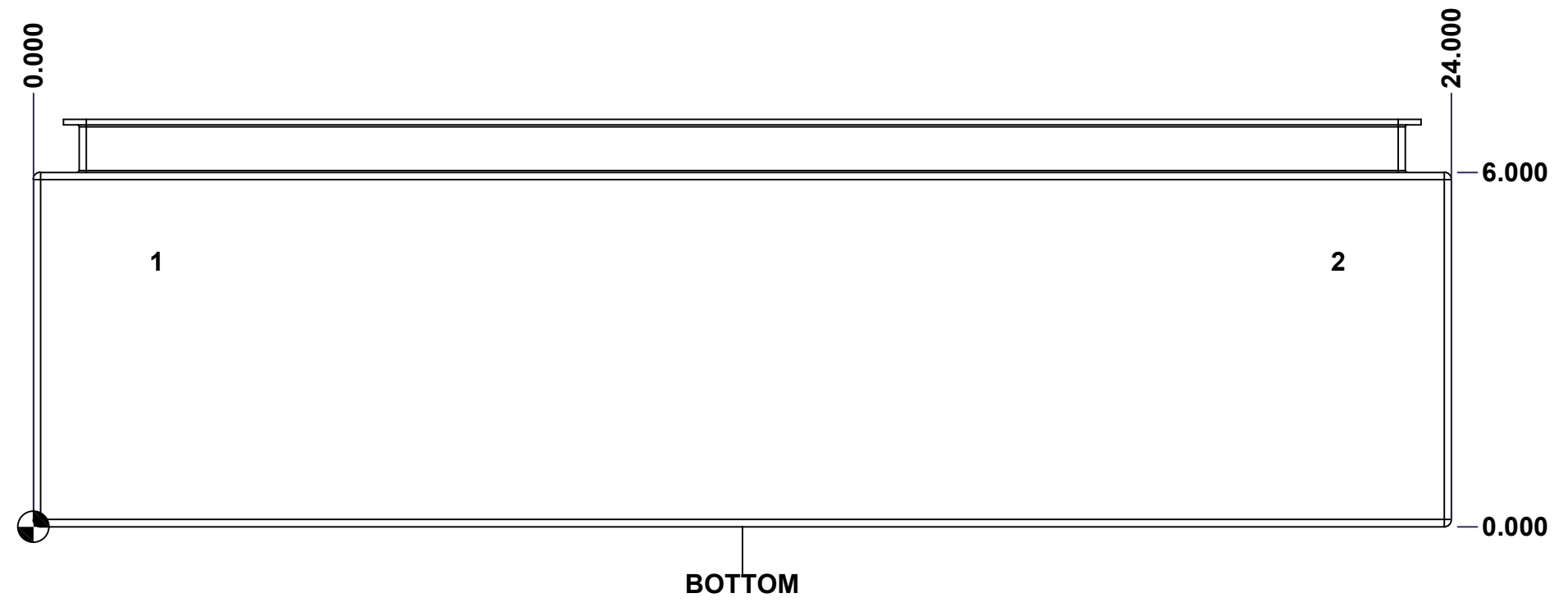


|  |                             |          |        |
|--|-----------------------------|----------|--------|
|  | Description                 | Status   |        |
|  | 5412EAL 12" x 24" x 6" Body | (NULL)   |        |
|  | Part Number<br>Numéro Pièce | Rev.     |        |
|  | <b>5412EAL122406THB</b>     | <b>0</b> | 4 / 16 |

This drawing is confidential and must not be reproduced or used without the consent of EXM

Ce dessin est confidentiel et ne doit pas être reproduit ou utilisé sans le consentement de EXM

| <b>STANDARD FEATURES ARE NOT LISTED IN THIS HOLE TABLE</b> |        |       |                                |
|--|--------|-------|--------------------------------|
| <b>HOLE TABLE - BOTTOM VIEW (CUSTOM FEATURE ONLY)</b>      |        |       |                                |
| CUT-OUT  | XDIM   | YDIM  | DESCRIPTION                    |
| 1  | 2.000  | 4.500 | INSUL. STUD M6 x 18mm (Inside) |
| 2  | 22.000 | 4.500 | INSUL. STUD M6 x 18mm (Inside) |



|  |                             |               |
|--|-----------------------------|---------------|
|  | Description                 | Status        |
|  | 5412EAL 12" x 24" x 6" Body | (NULL)        |
|  | Part Number<br>Numéro Pièce | Rev. 5        |
|  | <b>5412EAL122406THB</b>     | <b>0</b> / 16 |

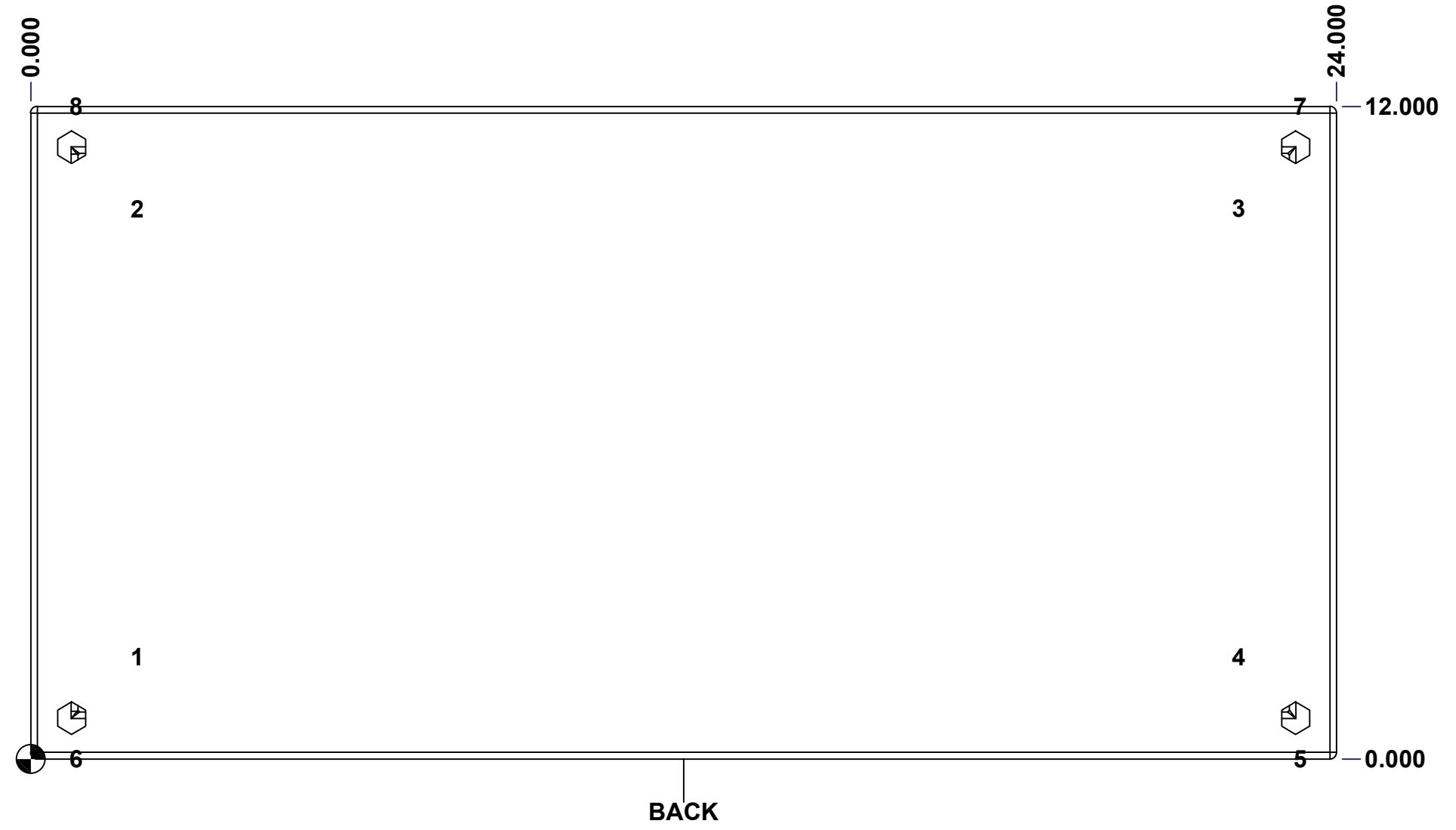
This drawing is confidential and must not be reproduced or used without the consent of EXM

Ce dessin est confidentiel et ne doit pas être reproduit ou utilisé sans le consentement de EXM

**STANDARD FEATURES ARE NOT LISTED IN THIS HOLE TABLE**

**HOLE TABLE - BACK VIEW (CUSTOM FEATURE ONLY)**

| CUT-OUT | XDIM   | YDIM   | DESCRIPTION                |
|---------|--------|--------|----------------------------|
| 1       | 1.875  | 1.875  | IP STUD M8 x 35mm (Inside) |
| 2       | 1.875  | 10.125 | IP STUD M8 x 35mm (Inside) |
| 3       | 22.125 | 10.125 | IP STUD M8 x 35mm (Inside) |
| 4       | 22.125 | 1.875  | IP STUD M8 x 35mm (Inside) |
| -----   |        |        |                            |
| 5       | 23.250 | 0.000  | FOOT 885 ESMF4_OPEN        |
| 6       | 0.750  | 0.000  | FOOT 885 ESMF4_OPEN        |
| 7       | 23.250 | 12.000 | FOOT 885 ESMF4_CLOSE       |
| 8       | 0.750  | 12.000 | FOOT 885 ESMF4_CLOSE       |

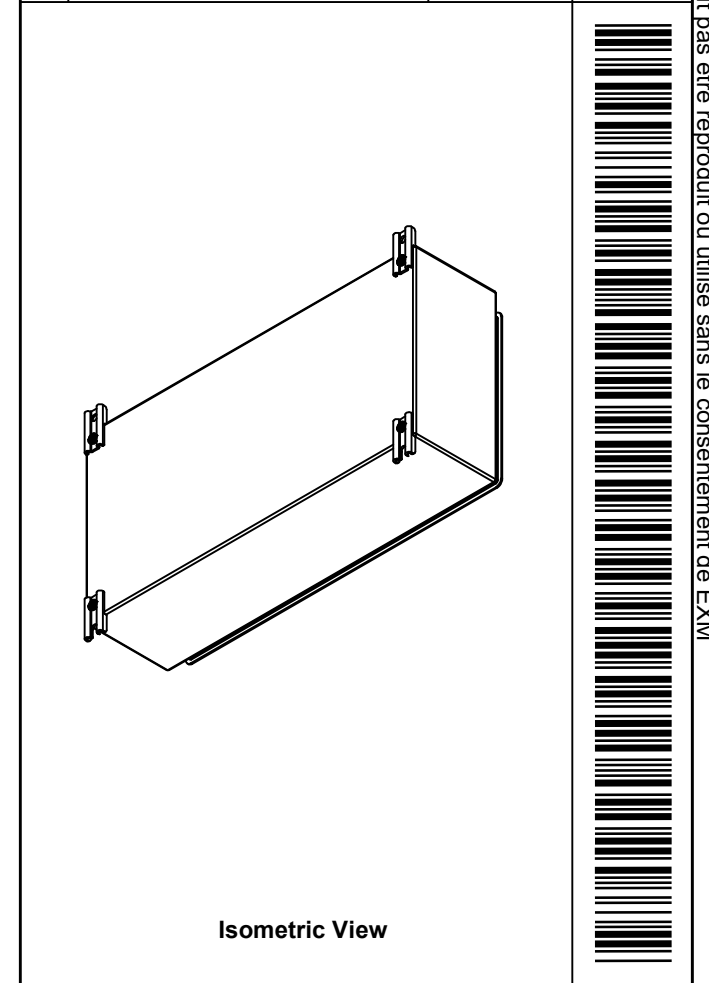


|  |  |                    |
|--|--|--------------------|
|  | Description<br>5412EAL 12" x 24" x 6" Body             | Status<br>(NULL)   |
|  | Part Number<br>Numéro Pièce<br><b>5412EAL122406THB</b> | Rev. 6<br><b>0</b> |


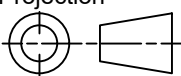
This drawing is confidential and must not be reproduced or used without the consent of EXM

Ce dessin est confidentiel et ne doit pas être reproduit ou utilisé sans le consentement de EXM

| No. | Revisions | Date | By/Par |
|-----|-----------|------|--------|
|     |           |      |        |
|     |           |      |        |
|     |           |      |        |
|     |           |      |        |
|     |           |      |        |

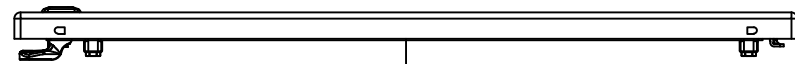


|            |                        |     |   |
|------------|------------------------|-----|---|
| 1          | 885 ESMF4              | 0   | 885 ESMF4 Mounting Foot Kit                           |
| 4          | RIVET_NUT_SS_M10_FH_CE | 0   | Stainless Steel Rivet Nut M10 (Low Profile Close End) |
| 1          | STK-K-70554            | 3   | 5412 ESTH Accessory Kit                               |
| 1          | 5412EAL122406THI-RS    | 0   | 5412EAL 12" x 24" Right Insulation                    |
| 1          | 5412EAL122406THI-LS    | 0   | 5412EAL 12" x 24" Left Insulation                     |
| 1          | 5412EAL122406THI-BT    | 0   | 5412EAL 12" x 24" Bottom Insulation                   |
| 1          | 5412EAL122406THI-TP    | 0   | 5412EAL 12" x 24" Top Insulation                      |
| 1          | 5412EAL122406THI-B     | 0   | 5412EAL 12" x 24" Back Insulation                     |
| 4          | STK-Q-16060            | 0   | Stud M6 x 18mm Aluminum                               |
| 1          | STK-P-02400S           | 0   | Powder Paint (Asa-61 Grey / Smooth)                   |
| 4          | STK-Q-16010            | 0   | Stud M8 x 35mm Aluminum                               |
| 1          | 5412EAL122406THB-P     | 0   | 5412EAL 12" x 24" x 6" Body Part                      |
| Qty        | Part Number            | Rev | Description   |
| Parts List |                        |     |   |

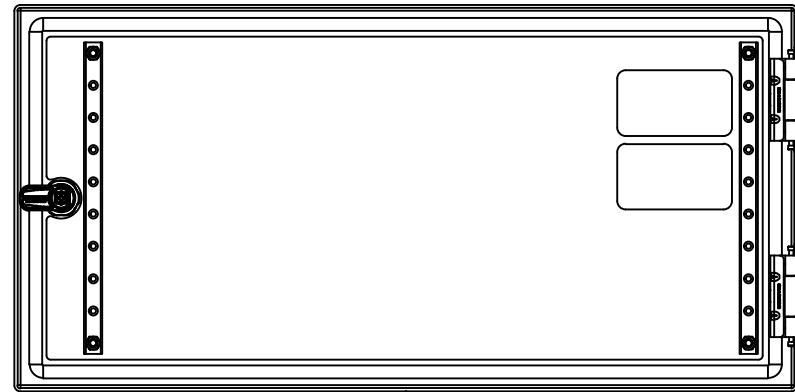
|  |                       |   |
|--|-----------------------|---|
|  Tél: (450) 979-4373<br>Fax: (450) 979-4626<br><a href="http://www.exmweb.com">www.exmweb.com</a> |                       | Flatness<br>Aplatissement<br>Max 3.0mm  |
| Customer Client  |                       | Projection<br> |
| Drawn By<br>Dessiné Par BoxCad: BoxCad   |                       | Date 21-Jan-25  |
| Material<br>Matière Aluminum 5052-H32 (2.3mm)  |                       |   |
| Color<br>Couleur Asa-61 Grey   | Finish<br>Fini Smooth |   |
| Description<br>5412EAL 12" x 24" x 6" Body   |                       | Detail Rev.   |
| Part Number<br>Numéro Pièce <b>5412EAL122406THB</b>  |                       | Rev. <b>0</b> / 7   |
|  |                       | 16  |

This drawing is confidential and must not be reproduced or used without the consent of EXM

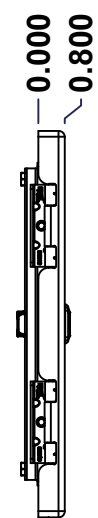
Ce dessin est confidentiel et ne doit pas être reproduit ou utilisé sans le consentement de EXM



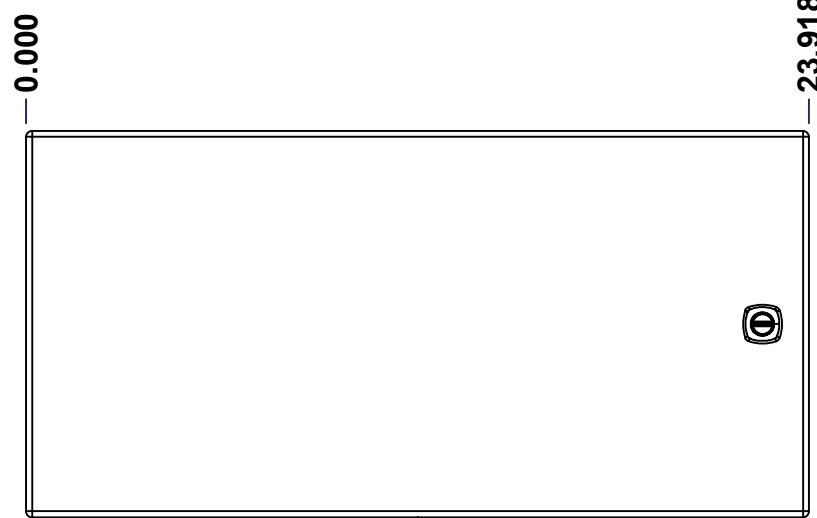
TOP



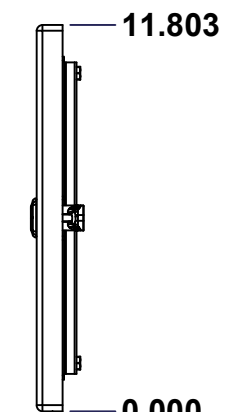
BACK



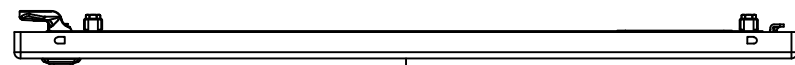
LEFT



FRONT

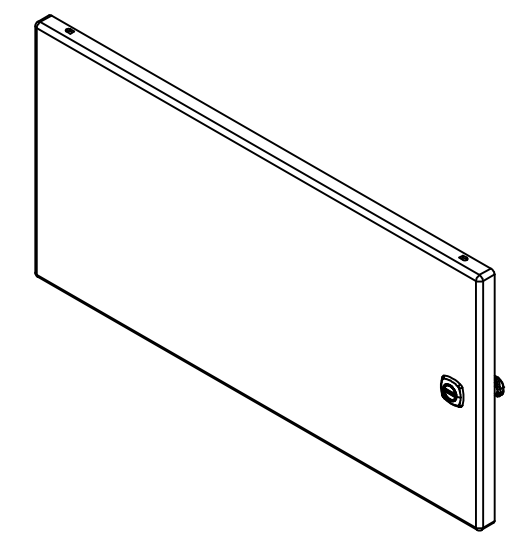


RIGHT




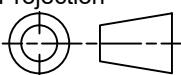
BOTTOM

| No. | Revisions | Date | By/Par |
|-----|-----------|------|--------|
|     |           |      |        |
|     |           |      |        |
|     |           |      |        |
|     |           |      |        |



Isometric View



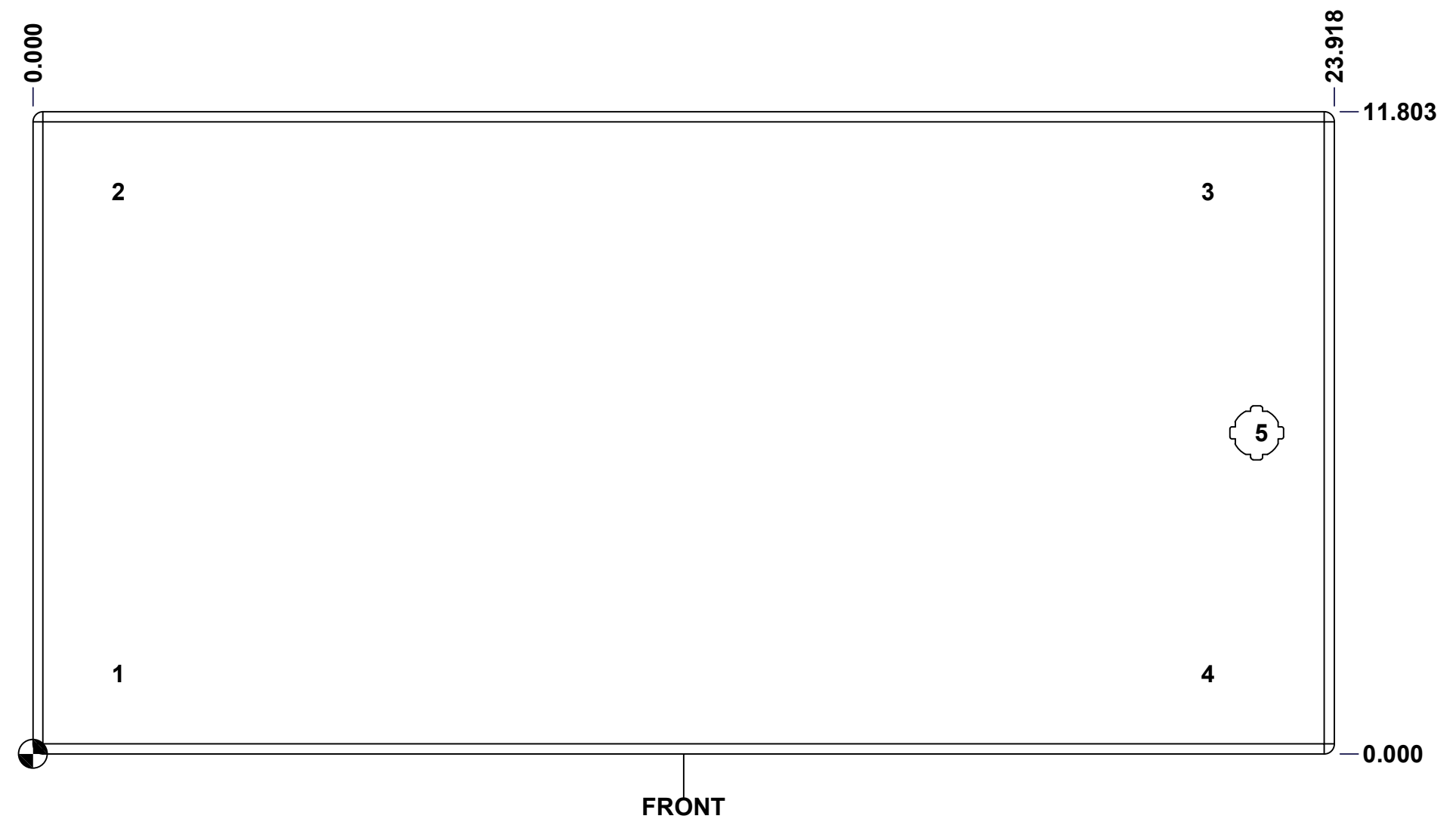
|  |                           |   |
|--|---------------------------|---|
|  Tél: (450) 979-4373<br>Fax: (450) 979-4626<br><a href="http://www.exmweb.com">www.exmweb.com</a> |                           | Flatness<br>Aplatissement<br>Max 3.0mm<br>Projection<br> |
| Customer Client  | Date                      |   |
| Drawn By<br>Dessiné Par  | BoxCad: BoxCad            | Date 21-Jan-25  |
| Material<br>Matière  | Aluminum 5052-H32 (2.3mm) |   |
| Color<br>Couleur   | Asa-61 Grey               | Finish<br>Fini Smooth   |
| Description  | Detail Rev.               |   |
| 5412EAL 12" x 24" Cover  |                           |   |
| Part Number<br>Numéro Pièce  | Rev.                      | 8   |
| <b>5412EAL122406THC</b>  | <b>0</b>                  | 16  |

SEE BILL OF MATERIAL ON LAST PAGE

This drawing is confidential and must not be reproduced or used without the consent of EXM

Ce dessin est confidentiel et ne doit pas être reproduit ou utilisé sans le consentement de EXM

| STANDARD FEATURES ARE NOT LISTED IN THIS HOLE TABLE |        |        |                         |
|---|--------|--------|-------------------------|
| HOLE TABLE - FRONT VIEW (CUSTOM FEATURE ONLY)       |        |        |                         |
| CUT-OUT   | XDIM   | YDIM   | DESCRIPTION             |
| 1   | 1.486  | 1.472  | STUD M6 x 18mm (Inside) |
| 2   | 1.486  | 10.331 | STUD M6 x 18mm (Inside) |
| 3   | 21.517 | 10.331 | STUD M6 x 18mm (Inside) |
| 4   | 21.517 | 1.472  | STUD M6 x 18mm (Inside) |
| -----   |        |        |                         |
| 5   | 22.494 | 5.902  | LOCK 880 SCQ4-SL @ 0.0° |

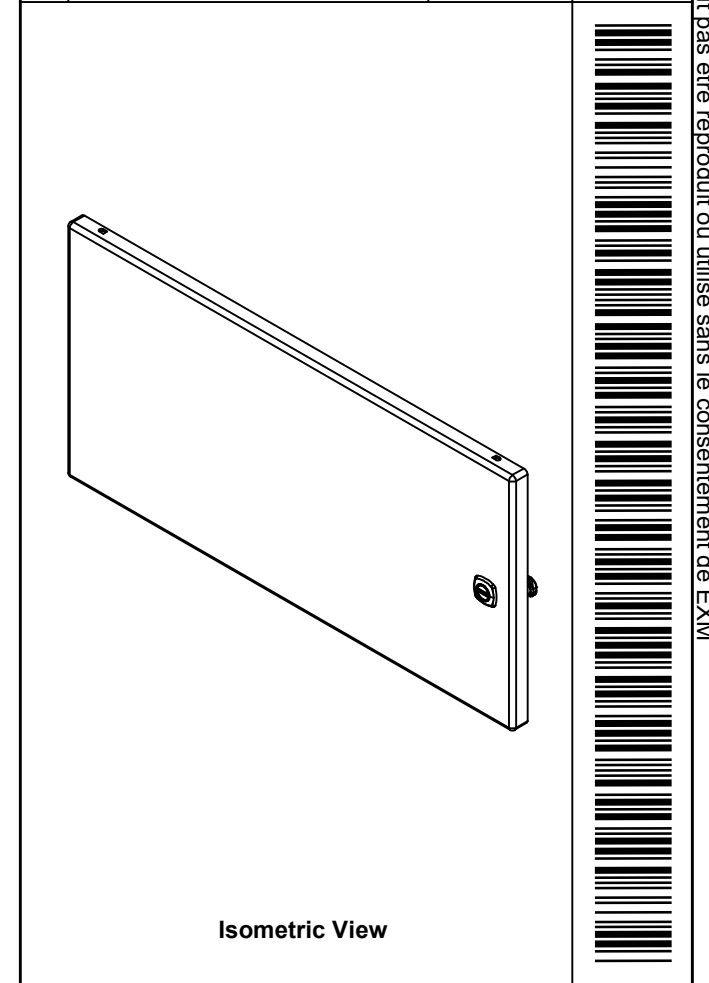


|  |                             |          |
|--|-----------------------------|----------|
|  | Description                 | Status   |
|  | 5412EAL 12" x 24" Cover     | (NULL)   |
|  | Part Number<br>Numéro Pièce | Rev.     |
|  | <b>5412EAL122406THC</b>     | <b>0</b> |
|  |                             | 9        |
|  |                             | 16       |

This drawing is confidential and must not be reproduced or used without the consent of EXM

Ce dessin est confidentiel et ne doit pas être reproduit ou utilisé sans le consentement de EXM

| No. | Revisions | Date | By/Par |
|-----|-----------|------|--------|
|     |           |      |        |
|     |           |      |        |
|     |           |      |        |
|     |           |      |        |
|     |           |      |        |



**EXM**  
exm

Tél: (450) 979-4373  
Fax: (450) 979-4626  
[www.exmweb.com](http://www.exmweb.com)

Flatness  
Aplatissement  
Max 3.0mm

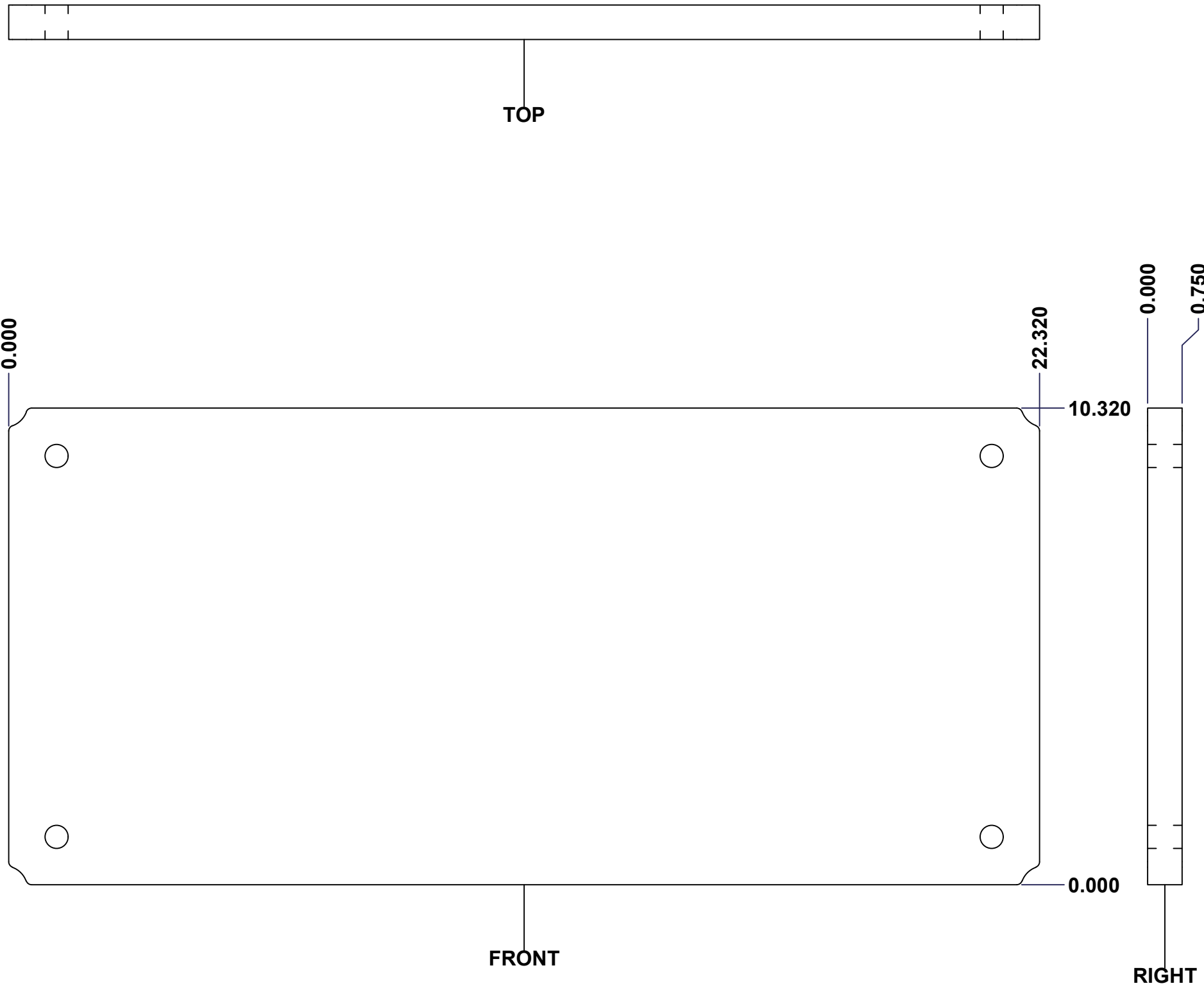
Projection

| QTY        | Part Number        | Rev | Description                            |
|------------|--------------------|-----|--|
| 1          | 880 SCQ4-SL        | 6   | 5412 ES 1/4 Turn Lock                  |
| 2          | STK-S-00100        | 0   | 3.5" x 2" Silver Milar Flexcon Sticker |
| 4          | STK-Q-07250        | 2   | M6 x 16mm Collar Nut                   |
| 2          | STK-Q-46020-12     | 5   | 5412 ES Vertical Door Stiffener 12"    |
| 1          | 5412EAL122406THI-C | 0   | 5412EAL 12" x 24" Cover Insulation     |
| 1          | STK-P-02400S       | 0   | Powder Paint (Asa-61 Grey / Smooth)    |
| 4          | STK-Q-16060        | 0   | Stud M6 x 18mm Aluminum                |
| 1          | 5412EAL122406THG   | 0   | 5412EAL 12" x 24" Cover Gasket Part    |
| 1          | 5412EAL122406THC-P | 0   | 5412EAL 12" x 24" Cover Part           |
| 2          | STK-A-33016        | 0   | 5412 ESS Bended Hinge (Body Part)      |
| QTY        | Part Number        | Rev | Description                            |
| Parts List |                    |     |  |

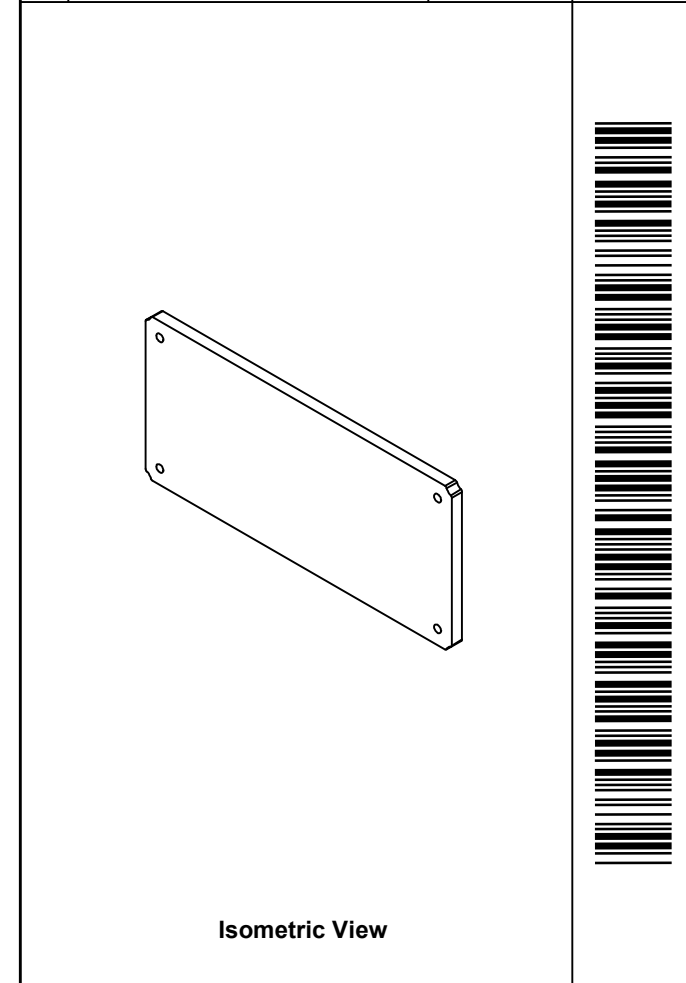
|  |                        |
|--|------------------------|
| Customer Client  | Date                   |
| Drawn By<br>Dessiné Par BoxCad: BoxCad                 | Date 21-Jan-25         |
| Material<br>Matière Aluminum 5052-H32 (2.3mm)          |                        |
| Color<br>Couleur Asa-61 Grey                           | Finish<br>Fini Smooth  |
| Description<br>5412EAL 12" x 24" Cover                 | Detail Rev.            |
| Part Number<br>Numéro Pièce<br><b>5412EAL122406THC</b> | Rev. 10<br><b>0</b> 16 |


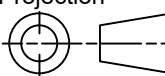
This drawing is confidential and must not be reproduced or used without the consent of EXM

Ce dessin est confidentiel et ne doit pas être reproduit ou utilisé sans le consentement de EXM



| No. | Revisions | Date | By/Par |
|-----|-----------|------|--------|
|     |           |      |        |
|     |           |      |        |
|     |           |      |        |
|     |           |      |        |
|     |           |      |        |

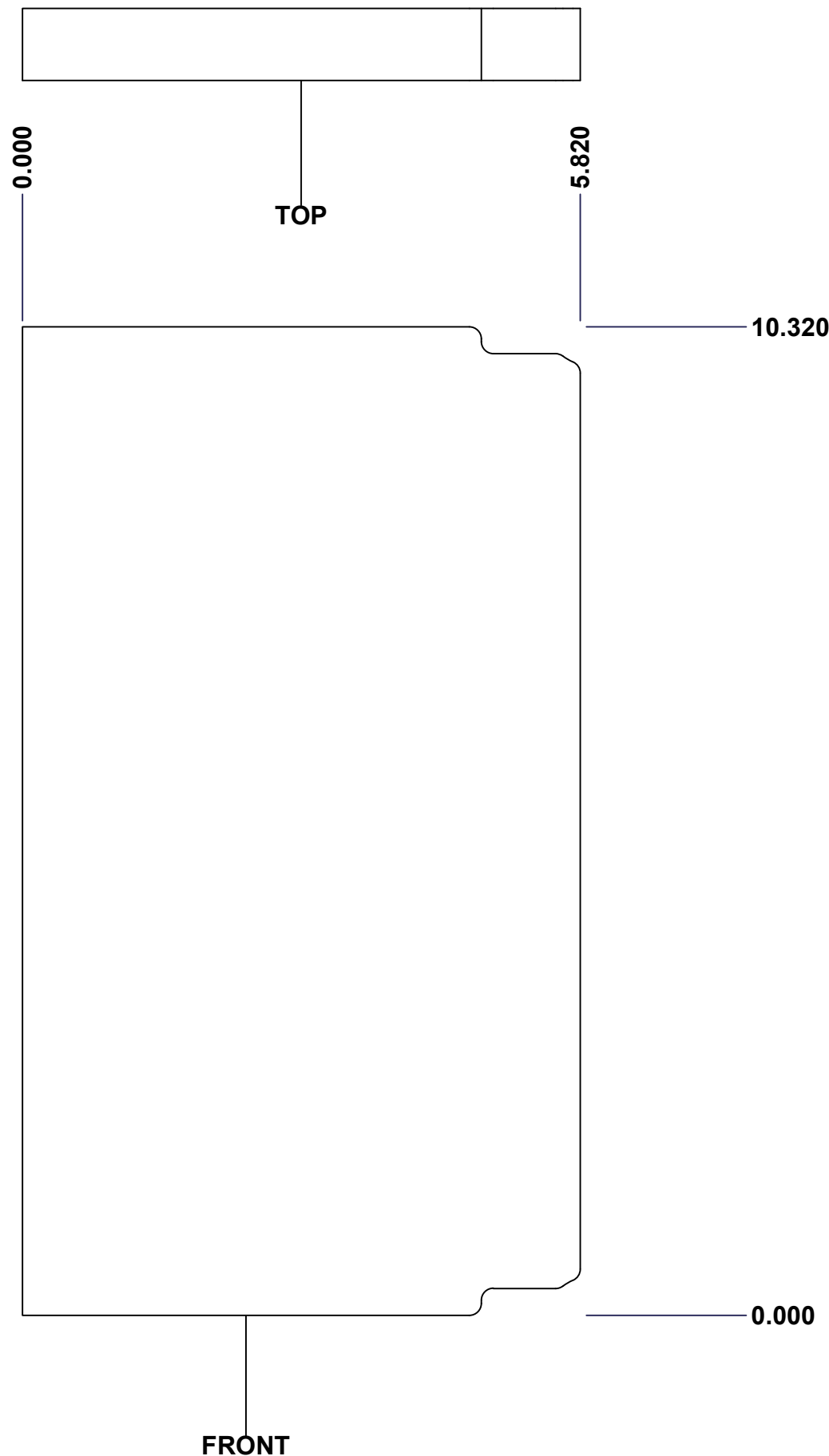


|  |                           |   |
|--|---------------------------|---|
|  Tél: (450) 979-4373<br>Fax: (450) 979-4626<br><a href="http://www.exmweb.com">www.exmweb.com</a> |                           | Flatness<br>Aplatissement<br>Max 3.0mm<br>Projection<br> |
| Customer<br>Client   | Date                      |   |
| Drawn By<br>Dessiné Par  | BoxCad: Patrick Deschenes | Date 23-Jan-07  |
| Material<br>Matière  | Polyisocyanurate          |   |
| Color<br>Couleur   | Aluminum                  | Finish<br>Fini N/A  |
| Description  |                           | Detail Rev.   |
| 5412EAL 12" x 24" Back Insulation  |                           |   |
| Part Number<br>Numéro Pièce  | Rev.                      | 11  |
| <b>5412EAL122406THI-B</b>  | <b>0</b>                  | 16  |

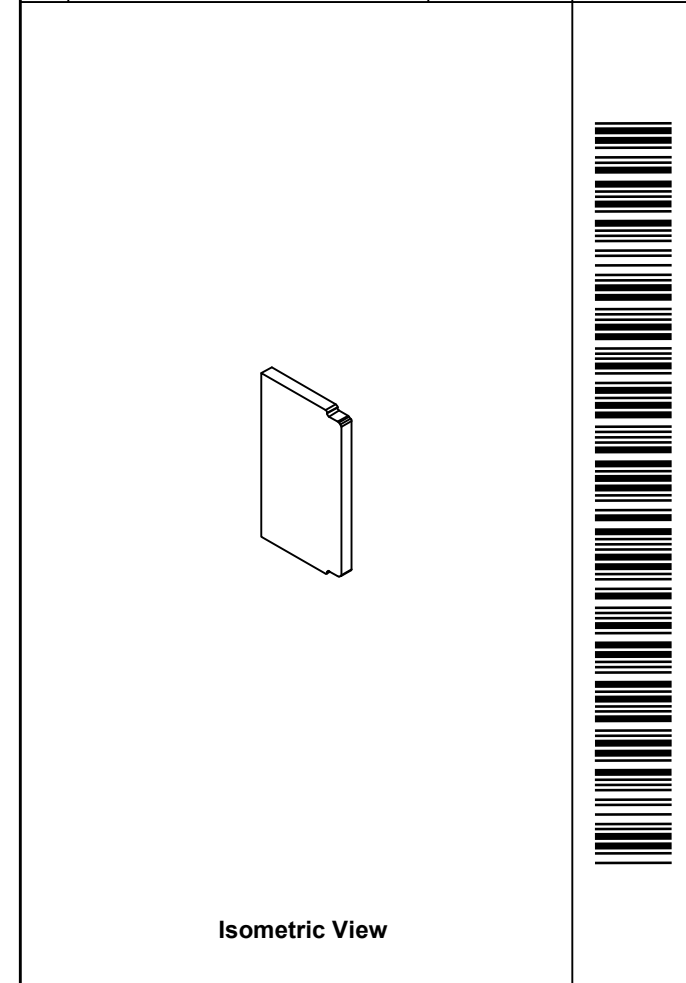
**SEE BILL OF MATERIAL ON LAST PAGE**


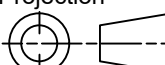
This drawing is confidential and must not be reproduced or used without the consent of EXM

Ce dessin est confidentiel et ne doit pas être reproduit ou utilisé sans le consentement de EXM



| No. | Revisions | Date | By/Par |
|-----|-----------|------|--------|
|     |           |      |        |
|     |           |      |        |
|     |           |      |        |
|     |           |      |        |
|     |           |      |        |



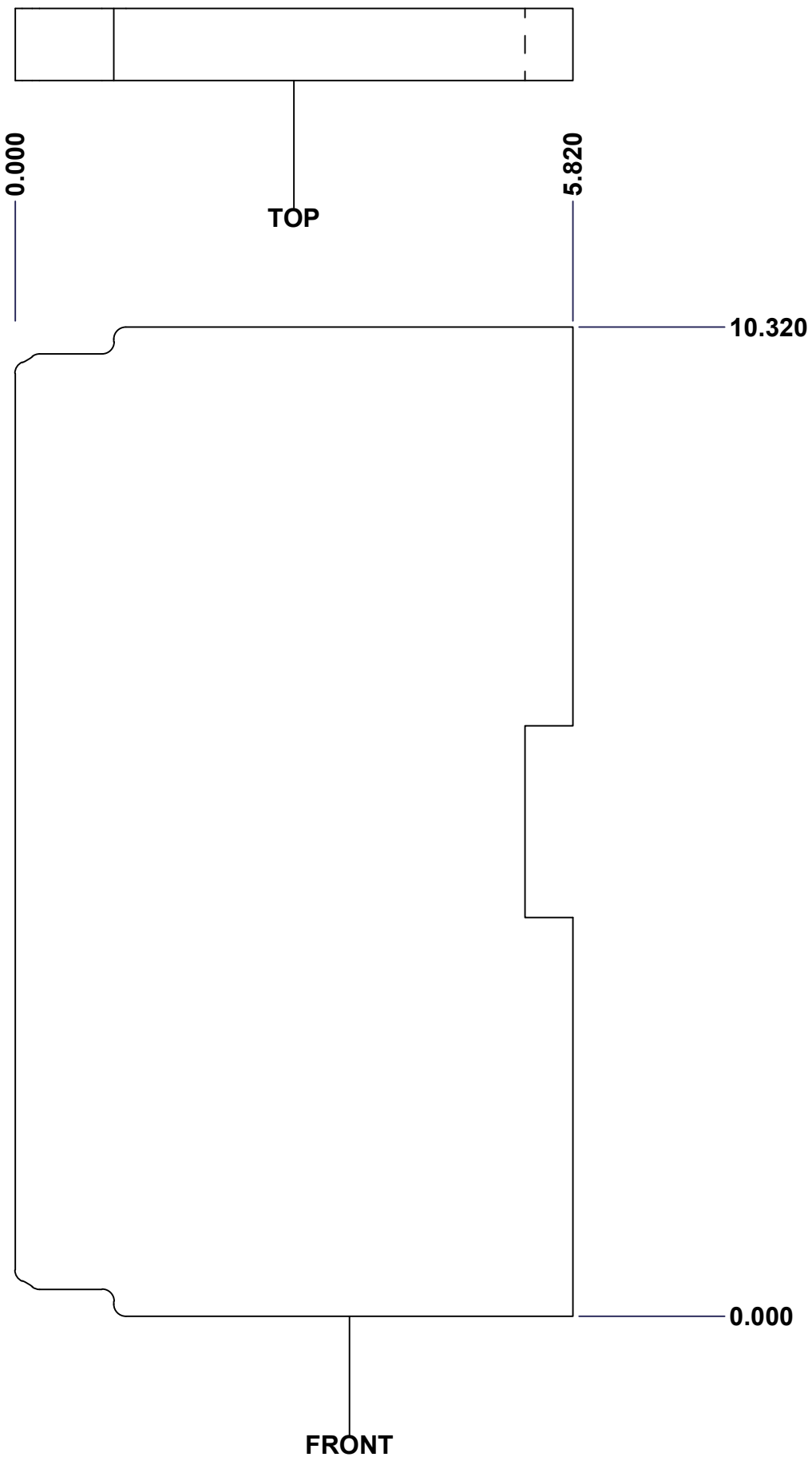
|  |                           |   |
|--|---------------------------|---|
|  Tél: (450) 979-4373<br>Fax: (450) 979-4626<br><a href="http://www.exmweb.com">www.exmweb.com</a> |                           | Flatness<br>Aplatissement<br>Max 3.0mm<br>Projection<br> |
| Customer Client  | Date                      |   |
| Drawn By<br>Dessiné Par  | BoxCad: Patrick Deschenes | Date 23-Jan-07  |
| Material<br>Matière  | Polyisocyanurate          |   |
| Color<br>Couleur   | Aluminum                  | Finish<br>Fini N/A  |
| Description<br>5412EAL 12" x 24" Left Insulation   |                           | Detail Rev.   |
| Part Number<br>Numéro Pièce  | Rev. 0                    | 12 / 16   |

SEE BILL OF MATERIAL ON LAST PAGE

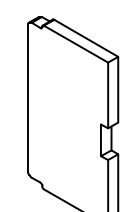
**5412EAL122406THI-LS**

This drawing is confidential and must not be reproduced or used without the consent of EXM

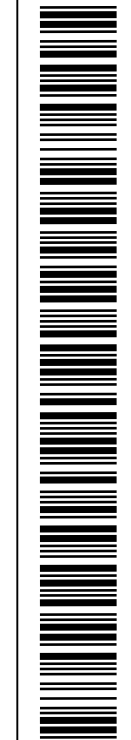
Ce dessin est confidentiel et ne doit pas être reproduit ou utilisé sans le consentement de EXM




| No. | Revisions | Date | By/Par |
|-----|-----------|------|--------|
|     |           |      |        |
|     |           |      |        |
|     |           |      |        |
|     |           |      |        |
|     |           |      |        |



**Isometric View**

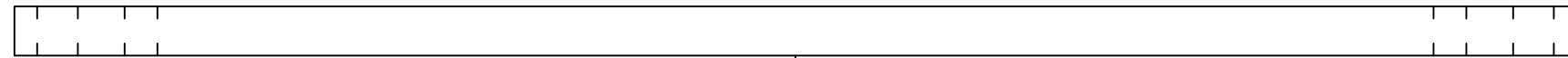


|  |  |                           |             |
|--|--|---------------------------|-------------|
|  Tél: (450) 979-4373<br>Fax: (450) 979-4626<br><a href="http://www.exmweb.com">www.exmweb.com</a> |  | Flatness<br>Aplatissement |             |
|  |  | Max 3.0mm                 |             |
| Customer<br>Client   |  | Date                      |             |
| Drawn By<br>Dessiné Par  |  | Date                      |             |
| Material<br>Matière  |  | Polyisocyanurate          |             |
| Color<br>Couleur   |  | Finish<br>Fini            |             |
| Aluminum   |  | N/A                       |             |
| Description  |  |                           | Detail Rev. |
| 5412EAL 12" x 24" Right Insulation   |  |                           |             |
| Part Number<br>Numéro Pièce  |  | Rev.                      |             |
| 5412EAL122406THI-RS  |  | 0                         | 13<br>16    |

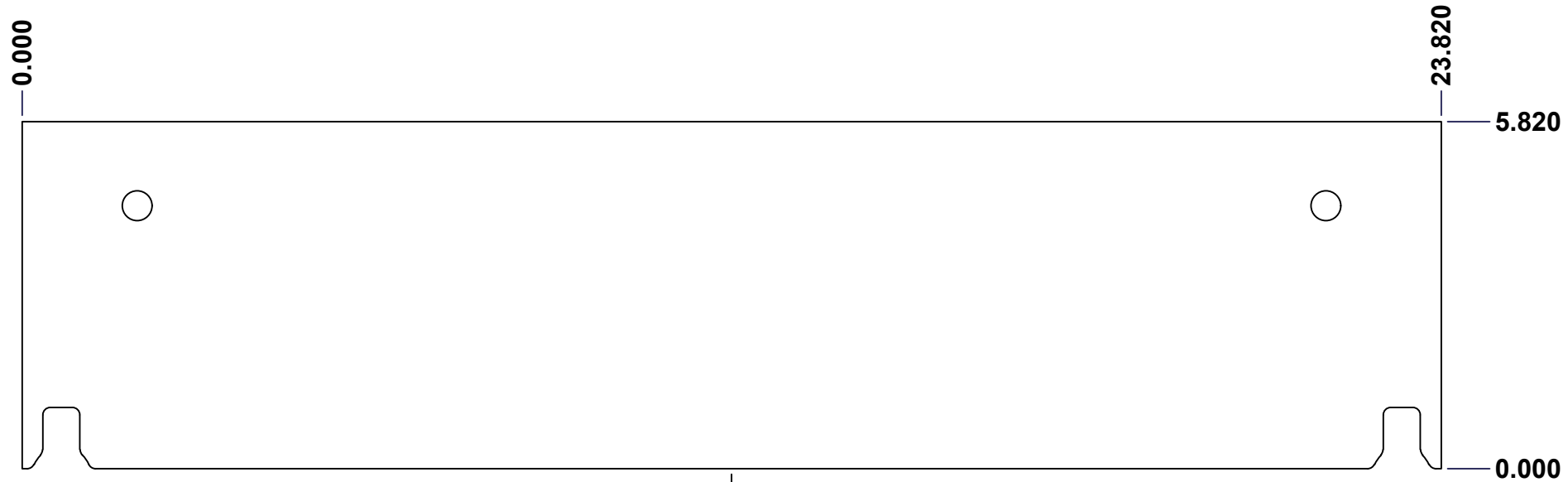
SEE BILL OF MATERIAL ON LAST PAGE

This drawing is confidential and must not be reproduced or used without the consent of EXM

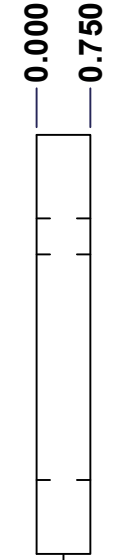
Ce dessin est confidentiel et ne doit pas être reproduit ou utilisé sans le consentement de EXM



TOP

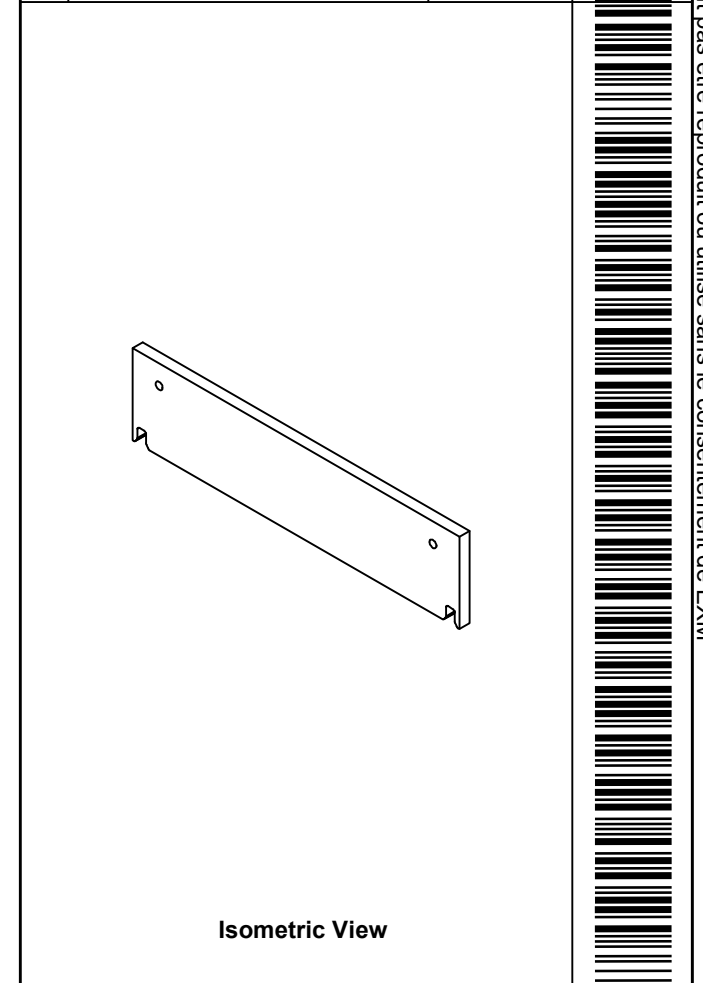



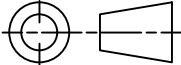
FRONT



RIGHT

| No. | Revisions | Date | By/Par |
|-----|-----------|------|--------|
|     |           |      |        |
|     |           |      |        |
|     |           |      |        |
|     |           |      |        |

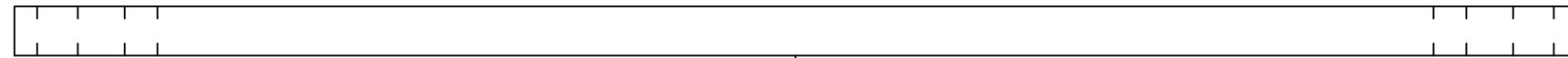


|  |                  |   |
|--|------------------|---|
|  Tél: (450) 979-4373<br>Fax: (450) 979-4626<br><a href="http://www.exmweb.com">www.exmweb.com</a> |                  | Flatness<br>Aplatissement<br>Max 3.0mm<br>Projection<br> |
| Customer Client  | Date             |   |
| Drawn By<br>Dessiné Par  | BoxCad: BoxCad   | Date 4/3/2024   |
| Material<br>Matière  | Polyisocyanurate |   |
| Color<br>Couleur   | Aluminum         | Finish<br>Fini Smooth   |
| Description  | Detail Rev.      |   |
| 5412EAL 12" x 24"Top Insulation  |                  |   |
| Part Number<br>Numéro Pièce  | Rev.             | 14  |
| 5412EAL122406THI-TP  | 0                | 16  |

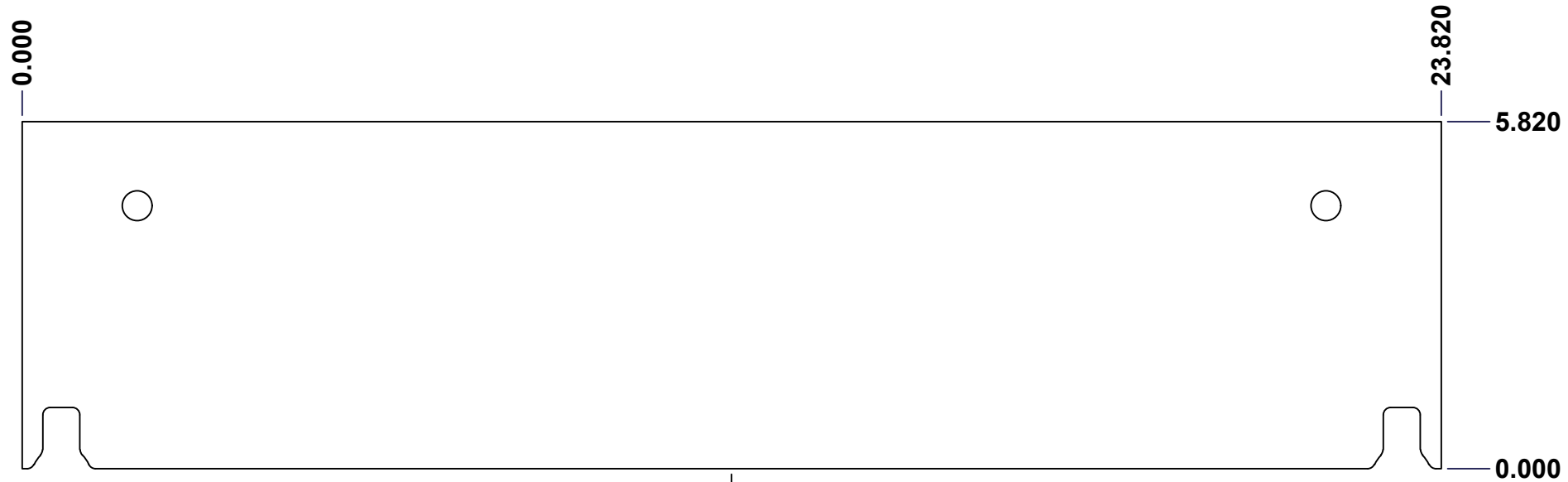
SEE BILL OF MATERIAL ON LAST PAGE

This drawing is confidential and must not be reproduced or used without the consent of EXM

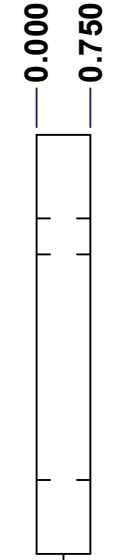
Ce dessin est confidentiel et ne doit pas être reproduit ou utilisé sans le consentement de EXM



TOP

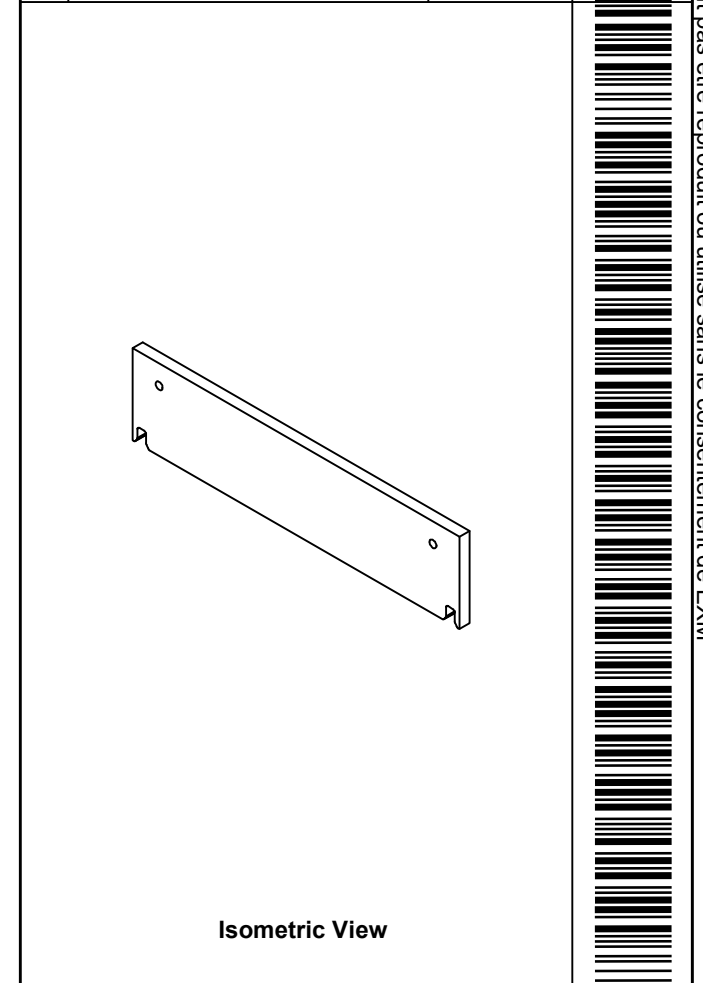



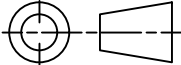
FRONT



RIGHT

| No. | Revisions | Date | By/Par |
|-----|-----------|------|--------|
|     |           |      |        |
|     |           |      |        |
|     |           |      |        |
|     |           |      |        |
|     |           |      |        |

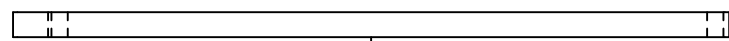


|  |                  |   |
|--|------------------|---|
|  Tél: (450) 979-4373<br>Fax: (450) 979-4626<br><a href="http://www.exmweb.com">www.exmweb.com</a> |                  | Flatness<br>Aplatissement<br>Max 3.0mm<br>Projection<br> |
| Customer Client  | Date             |   |
| Drawn By<br>Dessiné Par  | BoxCad: BoxCad   | Date 4/3/2024   |
| Material<br>Matière  | Polyisocyanurate |   |
| Color<br>Couleur   | Aluminum         | Finish<br>Fini Smooth   |
| Description  | Detail Rev.      |   |
| 5412EAL 12" x 24"Bottom Insulation   |                  |   |
| Part Number<br>Numéro Pièce  | Rev.             | 15  |
| <b>5412EAL122406THI-BT</b>   | <b>0</b>         | 16  |

SEE BILL OF MATERIAL ON LAST PAGE

This drawing is confidential and must not be reproduced or used without the consent of EXM

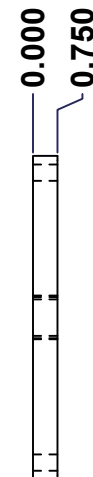
Ce dessin est confidentiel et ne doit pas être reproduit ou utilisé sans le consentement de EXM



TOP

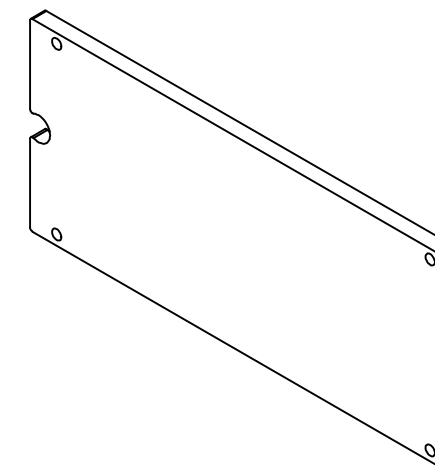


FRONT



RIGHT

| No. | Revisions | Date | By/Par |
|-----|-----------|------|--------|
|     |           |      |        |
|     |           |      |        |
|     |           |      |        |
|     |           |      |        |
|     |           |      |        |



Isometric View

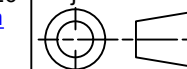


Tél: (450) 979-4373  
 Fax: (450) 979-4626  
[www.exmweb.com](http://www.exmweb.com)

Flatness  
Aplatissement

Max 3.0mm

Projection



|   |                    |
|---|--------------------|
| Customer Client                                   | Date               |
| Drawn By / Dessiné Par: BoxCad: Patrick Deschenes | Date: 23-Jan-07    |
| Material / Matière: Polyisocyanurate              |                    |
| Color / Couleur: Aluminum                         | Finish / Fini: N/A |

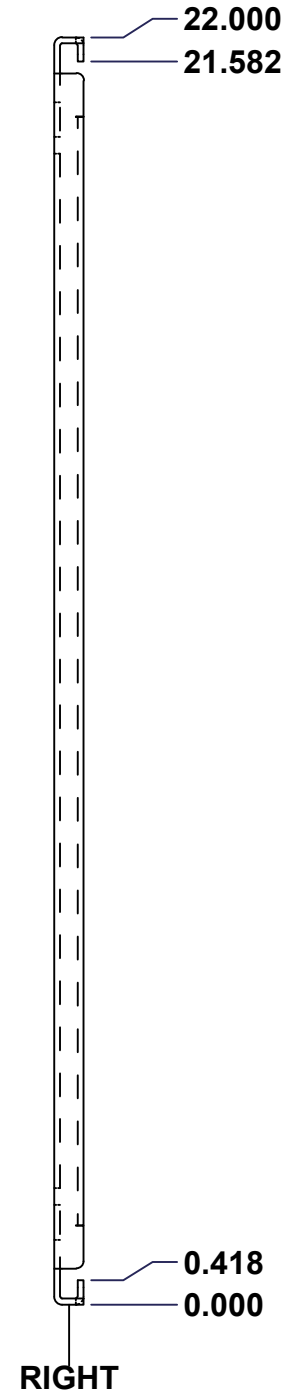
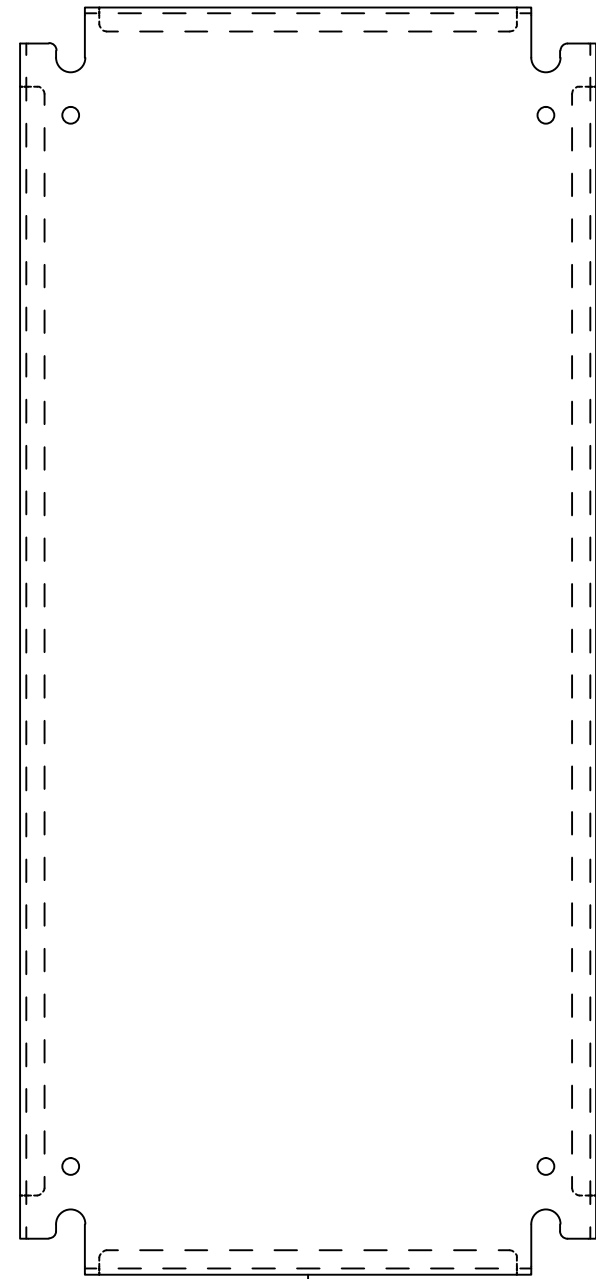
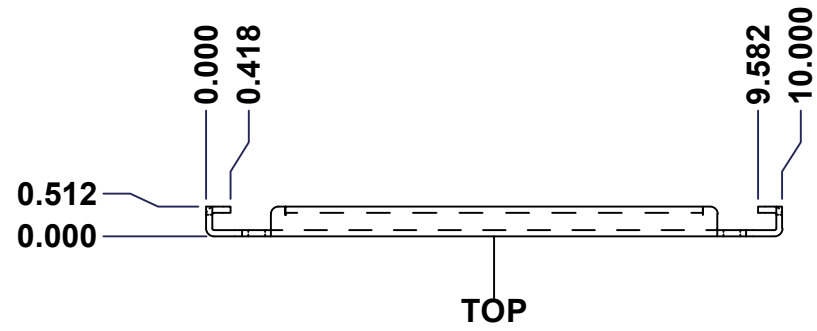
|   |             |
|---|-------------|
| Description: 5412EAL 12" x 24" Cover Insulation | Detail Rev. |
|---|-------------|

|   |               |         |
|---|---------------|---------|
| Part Number / Numéro Pièce: <b>5412EAL122406THI-C</b> | Rev. <b>0</b> | 16 / 16 |
|---|---------------|---------|

SEE BILL OF MATERIAL ON LAST PAGE

This drawing is confidential and must not be reproduced or used without the consent of EXM

Ce dessin est confidentiel et ne doit pas être reproduit ou utilisé sans le consentement de EXM



| No. | Revisions | Date | By/Par |
|-----|-----------|------|--------|
|     |           |      |        |
|     |           |      |        |
|     |           |      |        |
|     |           |      |        |
|     |           |      |        |

Isometric View

|   |                           |
|---|---------------------------|
| <p>Tél: (450) 979-4373<br/>Fax: (450) 979-4626<br/>www.exmweb.com</p> | Flatness<br>Aplatissement |
|   | Max 3.0mm                 |
| Projection  |                           |
| Customer<br>Client  | Date                      |
| Drawn By<br>Dessiné Par BoxCad  | Date 23-Jan-07            |
| Material<br>Matière   | See Part List             |
| Color<br>Couleur  | See Part List             |
| Finish<br>Fini  | See Part List             |
| Description   | Detail Rev.               |
| 881 SP - Inner Panel  |                           |
| Part Number<br>Numéro Pièce   | Rev. 1                    |
| <b>881 SP2412G</b>  | <b>0</b> 2                |

| Qty | Part Number   | Rev | Description               | Material         | Color     | Finish     |
|-----|---------------|-----|---------------------------|------------------|-----------|------------|
| 1   | 881 SP2412G-P | 0   | 881 SP - Inner Panel Part | 12 Ga Galvanized | Unpainted | Galvanized |

Parts List

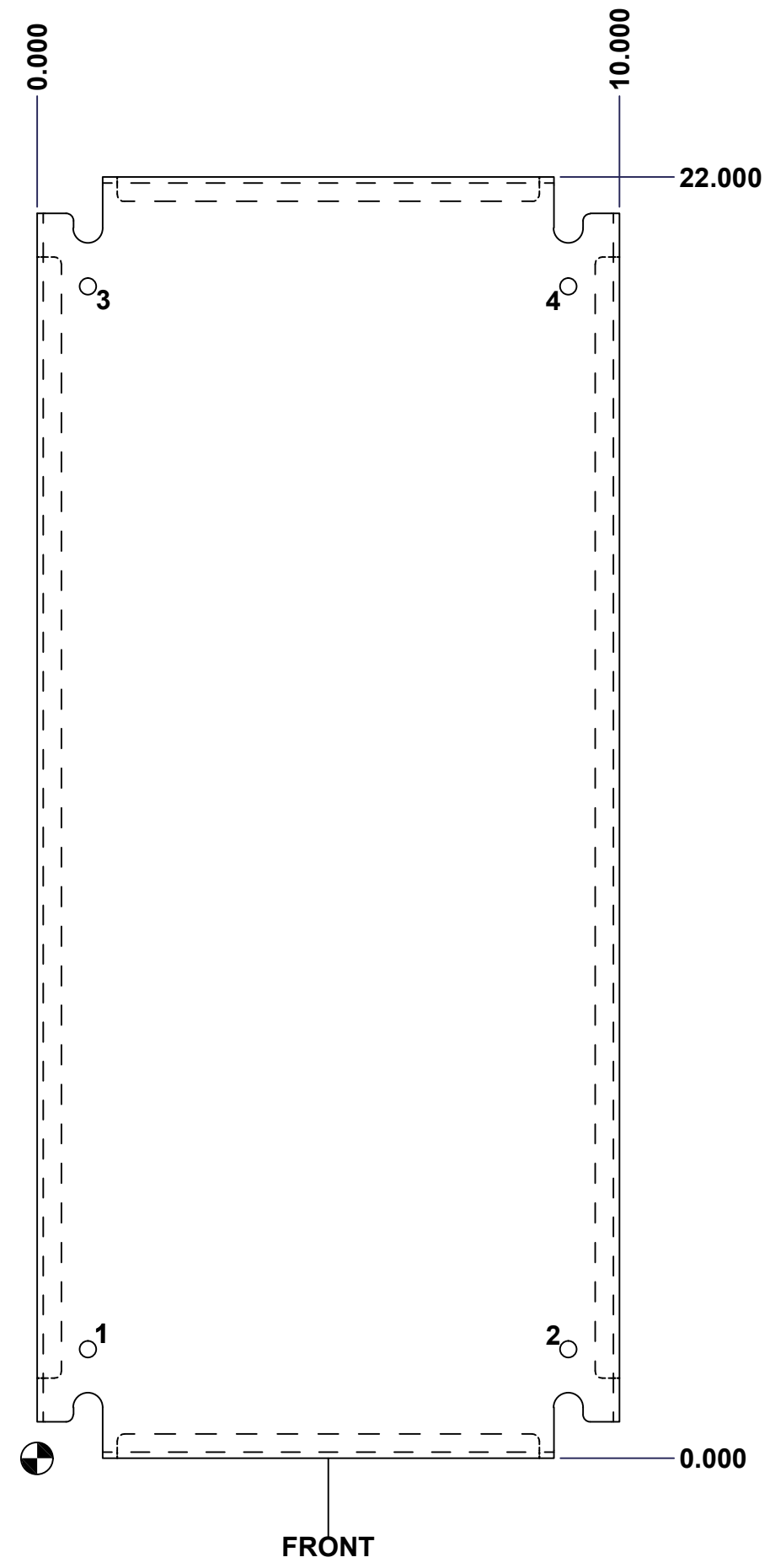
This drawing is confidential and must not be reproduced or used without the consent of EXM

Ce dessin est confidentiel et ne doit pas être reproduit ou utilisé sans le consentement de EXM

| Table 1 |       |        | FRONT VIEW               |
|---------|-------|--------|--------------------------|
| CUT-OUT | XDIM  | YDIM   | DESCRIPTION              |
| 1       | 0.875 | 1.875  | GROUND HOLE (RND Ø0.290) |
| 2       | 9.125 | 1.875  | GROUND HOLE (RND Ø0.290) |
| 3       | 0.875 | 20.125 | GROUND HOLE (RND Ø0.290) |
| 4       | 9.125 | 20.125 | GROUND HOLE (RND Ø0.290) |

All knockouts are actual size / Les disques défonçables sont grandeur réel

| No. | Revisions | Date | By/Par |
|-----|-----------|------|--------|
|     |           |      |        |
|     |           |      |        |
|     |           |      |        |
|     |           |      |        |
|     |           |      |        |



|                             |  |                              |
|-----------------------------|--|------------------------------|
|                             | Tél: (450) 979-4373<br>Fax: (450) 979-4626<br>www.exmweb.com | Flatness<br>Aplatissement    |
|                             |  | Max 3.0mm<br>Projection      |
| Customer<br>Client          |  | Date                         |
| Drawn By<br>Dessiné Par     | BoxCad   | Date 23-Jan-07               |
| Material<br>Matière         | See Part List  |                              |
| Color<br>Couleur            | See Part List  | Finish<br>Fini See Part List |
| Description                 |  | Detail Rev.                  |
| 881 SP - Inner Panel        |  |                              |
| Part Number<br>Numéro Pièce | Rev.   |                              |
| <b>881 SP2412G</b>          | <b>0</b>   | 2 / 2                        |