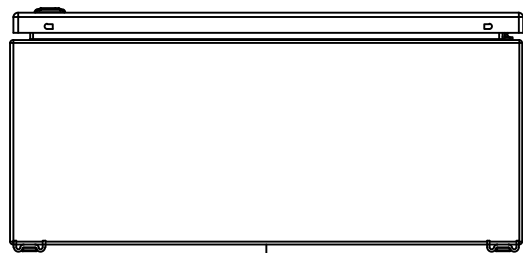
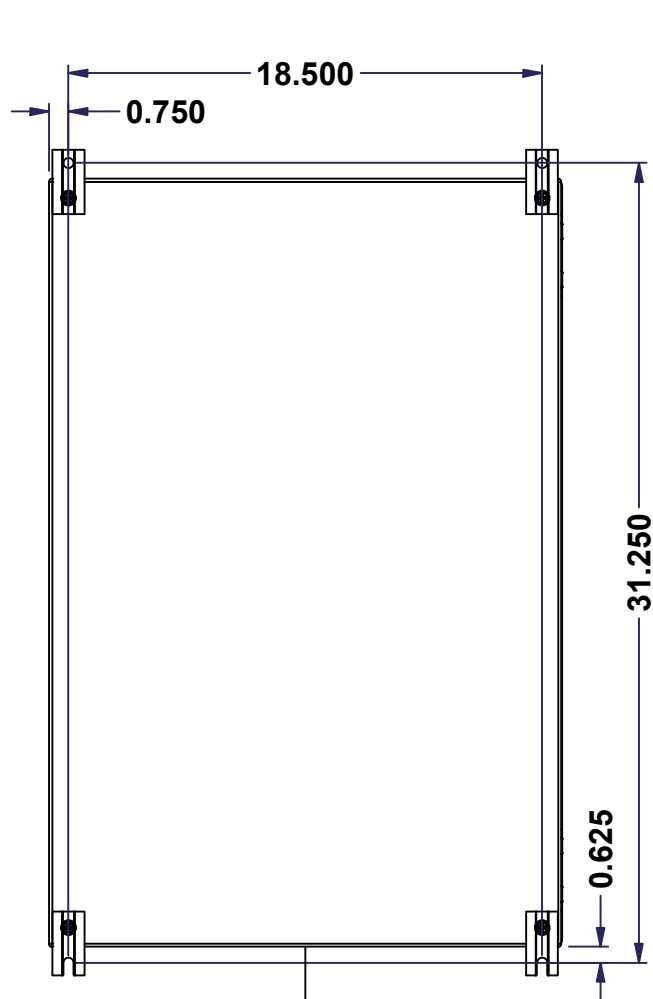


This drawing is confidential and must not be reproduced or used without the consent of EXM

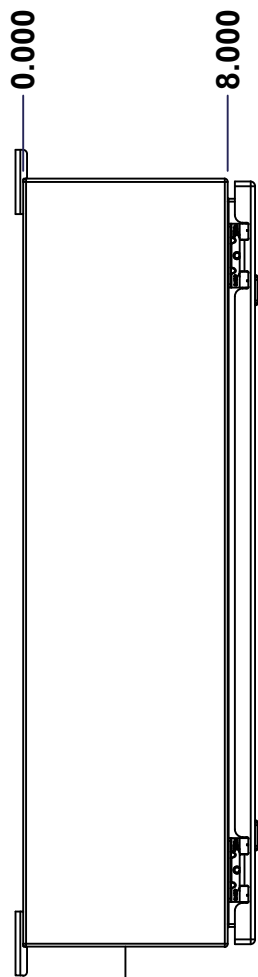
Ce dessin est confidentiel et ne doit pas être reproduit ou utilisé sans le consentement de EXM



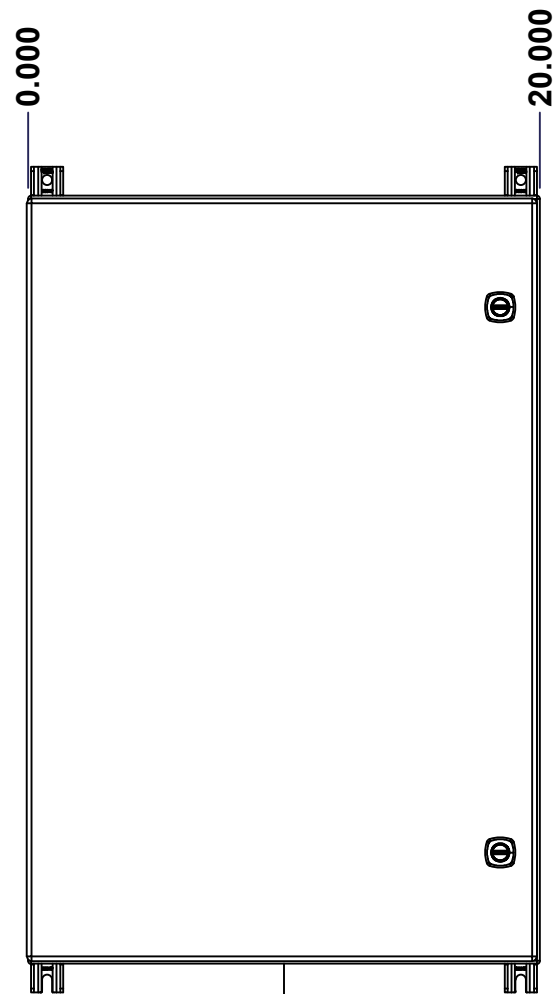
TOP



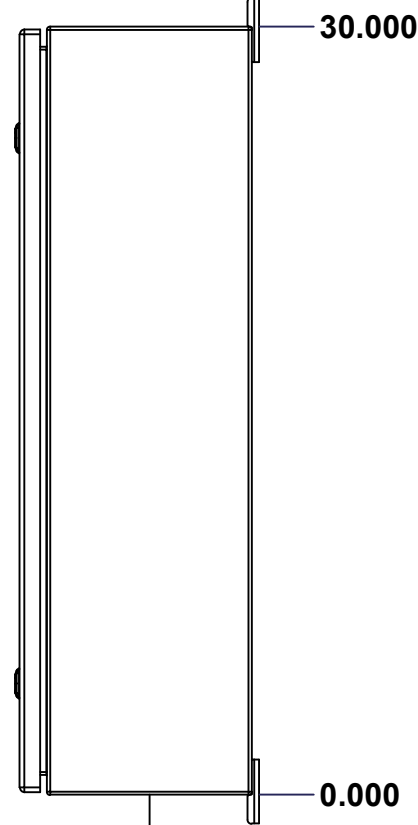
BACK



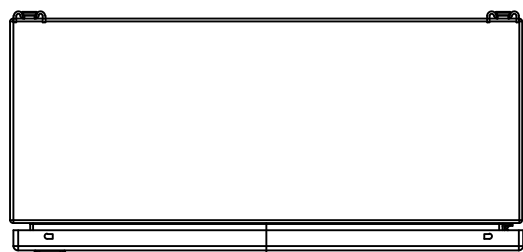
LEFT



FRONT

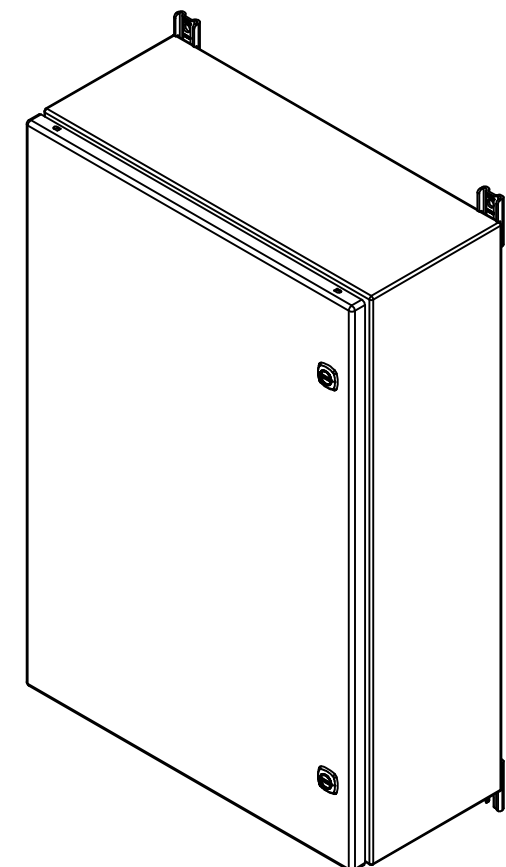


RIGHT

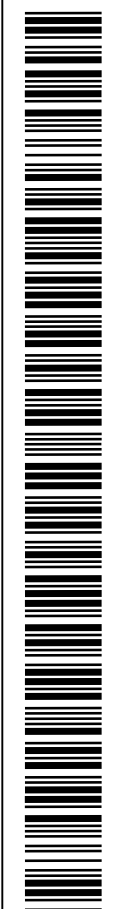


BOTTOM

| No. | Revisions | Date | By/Par |
|-----|-----------|------|--------|
| | | | |
| | | | |
| | | | |
| | | | |



Isometric View



Tél: (450) 979-4373
 Fax: (450) 979-4626
www.exmweb.com

Flatness
Aplatissement
Max 3.0mm
Projection

| | |
|--|-----------------------|
| Customer Client | Date |
| Drawn By Dessiné Par BoxCad: BoxCad | Date 28-Jan-26 |
| Material Matière Aluminum 5052-H32 (2.3mm) | |
| Color Couleur Asa-61 Grey | Finish Fini Smooth |
| Description 5412EAL 30" x 20" x 8" Assembly | Detail Rev. |
| Part Number Numéro Pièce 5412EAL302008TH | Rev. 1 0 |

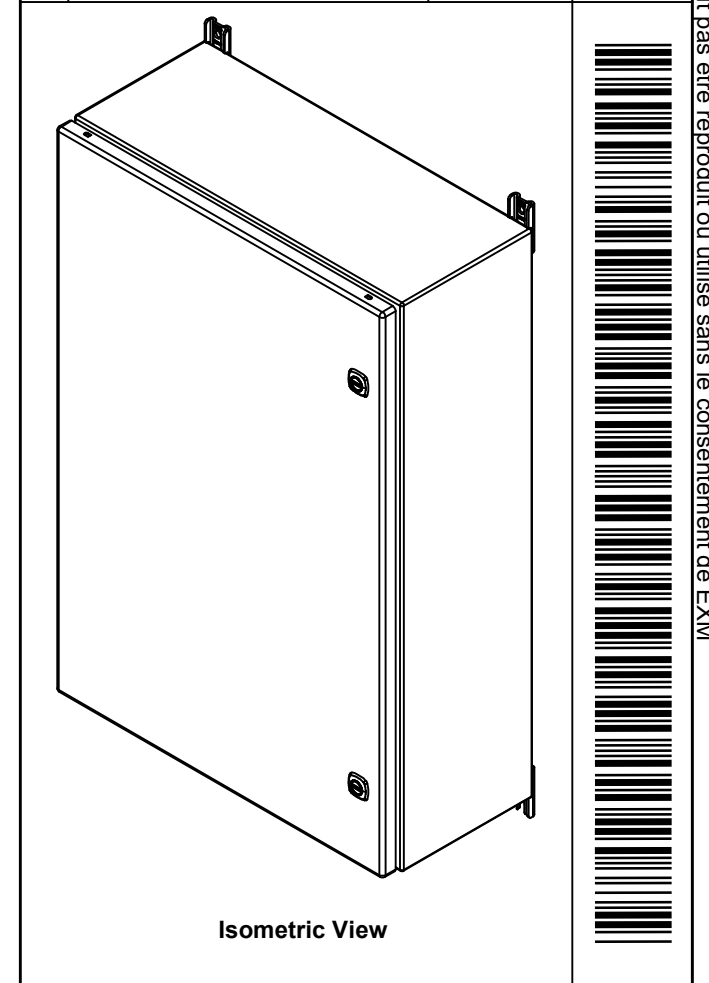
SEE BILL OF MATERIAL ON LAST PAGE

This drawing is confidential and must not be reproduced or used without the consent of EXM

Ce dessin est confidentiel et ne doit pas être reproduit ou utilisé sans le consentement de EXM

| NOTE | |
|------|---|
| ITEM | DESCRIPTION |
| 1 | NEMA 4X Enclosure (IP66) |
| 2 | C/W Standard ground studs on box and cover |
| 3 | C/W Standard door stiffener |
| 4 | C/W Standard inner panel (Included) |
| 5 | C/W Standard inner panel mounting studs |
| 6 | C/W 880 PP included (Not installed) |
| 7 | C/W 885 ESMF4_OPEN Sold separately (Installed) |
| 8 | C/W 885 ESMF4_CLOSE Sold separately (Installed) |
| 9 | C/W R5 Insulation (Installed aluminum visible) |

| No. | Revisions | Date | By/Par |
|-----|-----------|------|--------|
| | | | |
| | | | |
| | | | |
| | | | |
| | | | |
| | | | |



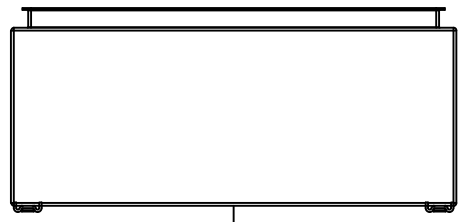
| PACKING | | |
|-----------------------|-----|--|
| ITEM | QTY | DESCRIPTION |
| Cardboard sleeve | 2 | Top and Bottom |
| Cardboard strip | 2 | Between back of enclosure and inner panel |
| Plastic bag | 1 | To protect cover surface and inside gasket |
| Plastic strap - Black | 2 | To Squeeze the 2 cardboard sleeve together |
| Packaging label | 1 | White label with product number |

| | | | |
|------------|------------------|-----|--|
| 1 | 880 PP | 6 | Self Adhesive Print Pocket |
| 1 | STK-K-01800 | 5 | 5412 ES Accessory Kit |
| 4 | STK-Q-00600 | 2 | M12 to M8 Adaptor |
| 1 | 881 SP3020G | 0 | 881 SP - Inner Panel |
| 2 | STK-Q-04051-08 | 1 | M6 x 8mm Stainless Steel Hexagon Socket Head Machine Screw with Nyseal |
| 1 | 5412EAL302008THC | 0 | 5412EAL 30" x 20" Cover |
| 1 | 5412EAL302008THB | 0 | 5412EAL 30" x 20" x 8" Body |
| Qty | Part Number | Rev | Description |
| Parts List | | | |

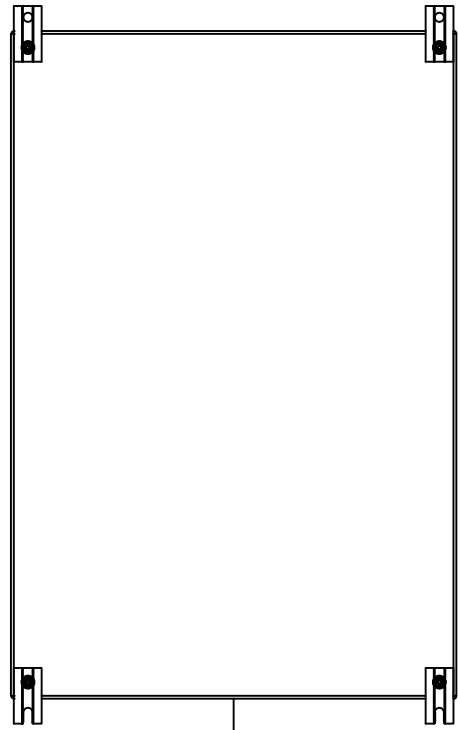
| | | | | | |
|---------------------------------|--|--|--|--|--|
| | | Tél: (450) 979-4373 Fax: (450) 979-4626 www.exmweb.com | | Flatness Aplatissement Max 3.0mm Projection | |
| Customer Client | | Date | | Date 28-Jan-26 | |
| Drawn By Dessiné Par | | BoxCad: BoxCad | | Date 28-Jan-26 | |
| Material Matière | | Aluminum 5052-H32 (2.3mm) | | | |
| Color Couleur | | Asa-61 Grey | | Finish Fini Smooth | |
| Description | | | | Detail Rev. | |
| 5412EAL 30" x 20" x 8" Assembly | | | | | |
| Part Number Numéro Pièce | | | | Rev. 2 | |
| 5412EAL302008TH | | | | 0 | |
| | | | | 16 | |

This drawing is confidential and must not be reproduced or used without the consent of EXM

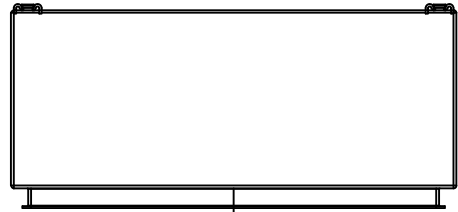
Ce dessin est confidentiel et ne doit pas être reproduit ou utilisé sans le consentement de EXM



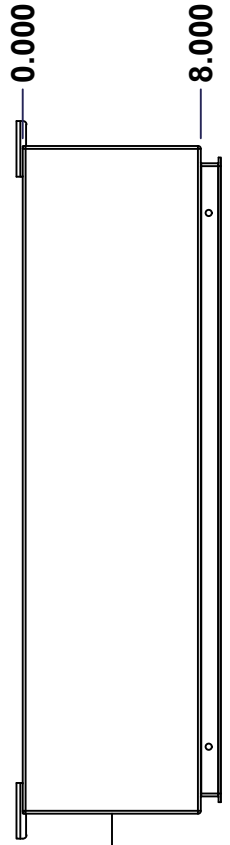
TOP



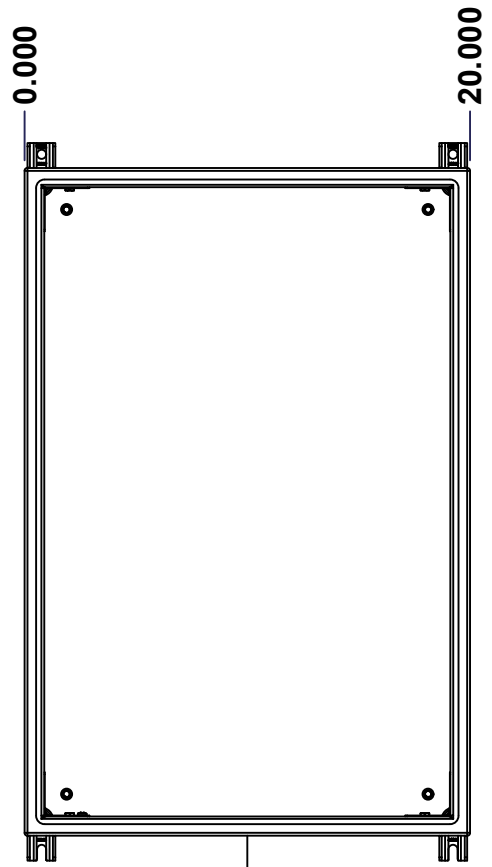
BACK



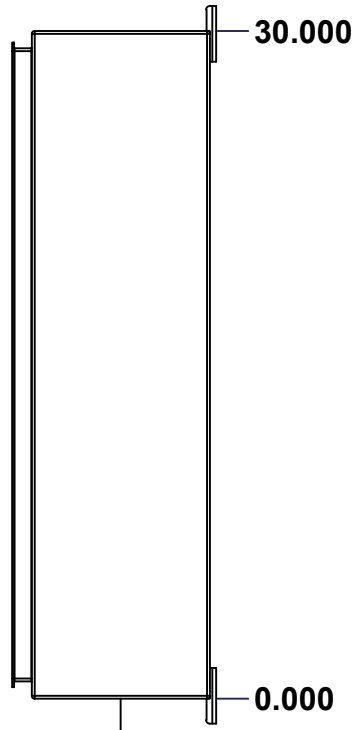
BOTTOM



LEFT

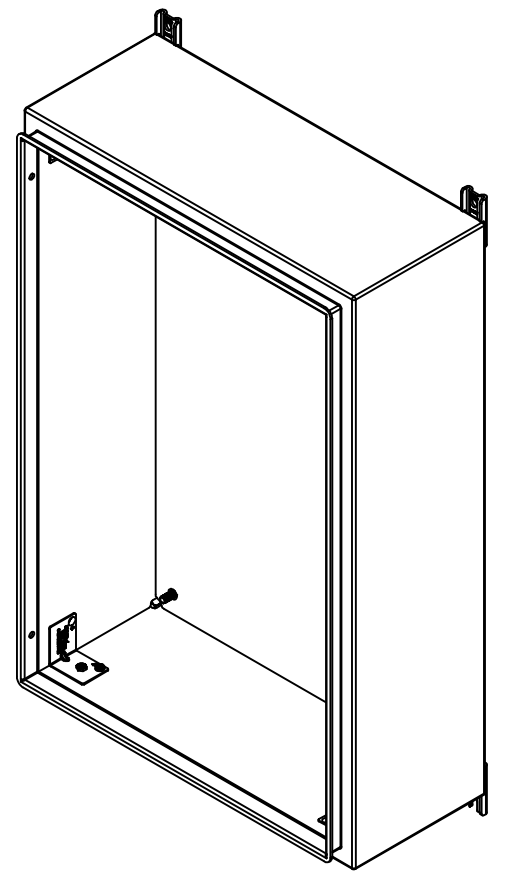


FRONT




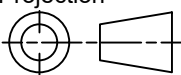
RIGHT

| No. | Revisions | Date | By/Par |
|-----|-----------|------|--------|
| | | | |
| | | | |
| | | | |
| | | | |



Isometric View



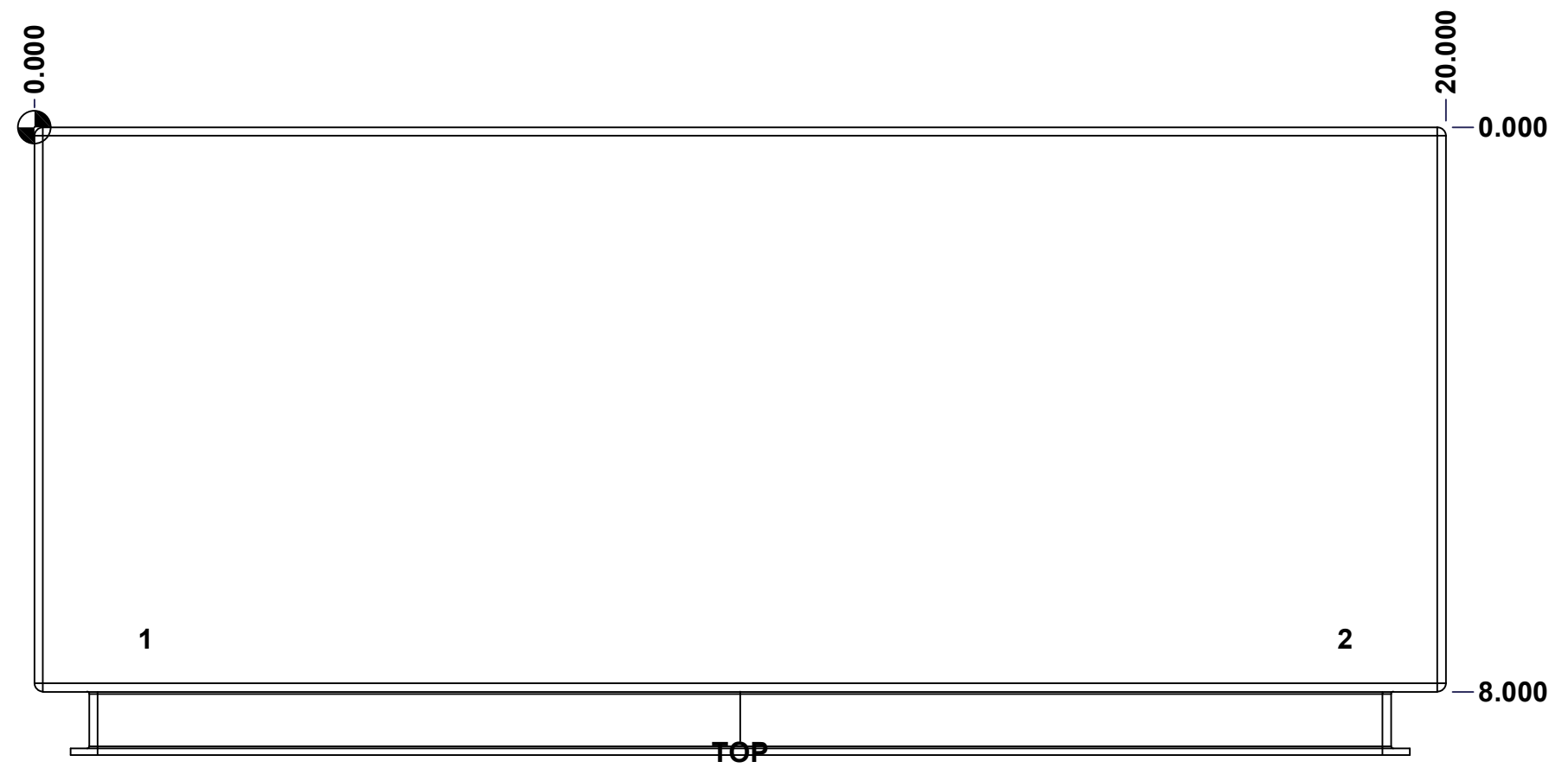
| | | |
|--|---------------------------|---|
|  Tél: (450) 979-4373 Fax: (450) 979-4626 www.exmweb.com | | Flatness Aplatissement Max 3.0mm Projection  |
| Customer Client | Date | |
| Drawn By Dessiné Par | BoxCad: BoxCad | Date 28-Jan-26 |
| Material Matière | Aluminum 5052-H32 (2.3mm) | |
| Color Couleur | Asa-61 Grey | Finish Fini Smooth |
| Description | Detail Rev. | |
| 5412EAL 30" x 20" x 8" Body | | |
| Part Number Numéro Pièce | Rev. 0 | 3 / 16 |
| 5412EAL302008THB | | |

SEE BILL OF MATERIAL ON LAST PAGE

This drawing is confidential and must not be reproduced or used without the consent of EXM

Ce dessin est confidentiel et ne doit pas être reproduit ou utilisé sans le consentement de EXM

| STANDARD FEATURES ARE NOT LISTED IN THIS HOLE TABLE | | | |
|---|--------|-------|--------------------------------|
| HOLE TABLE - TOP VIEW (CUSTOM FEATURE ONLY) | | | |
| CUT-OUT | XDIM | YDIM | DESCRIPTION |
| 1 | 1.500 | 7.250 | INSUL. STUD M6 x 18mm (Inside) |
| 2 | 18.500 | 7.250 | INSUL. STUD M6 x 18mm (Inside) |

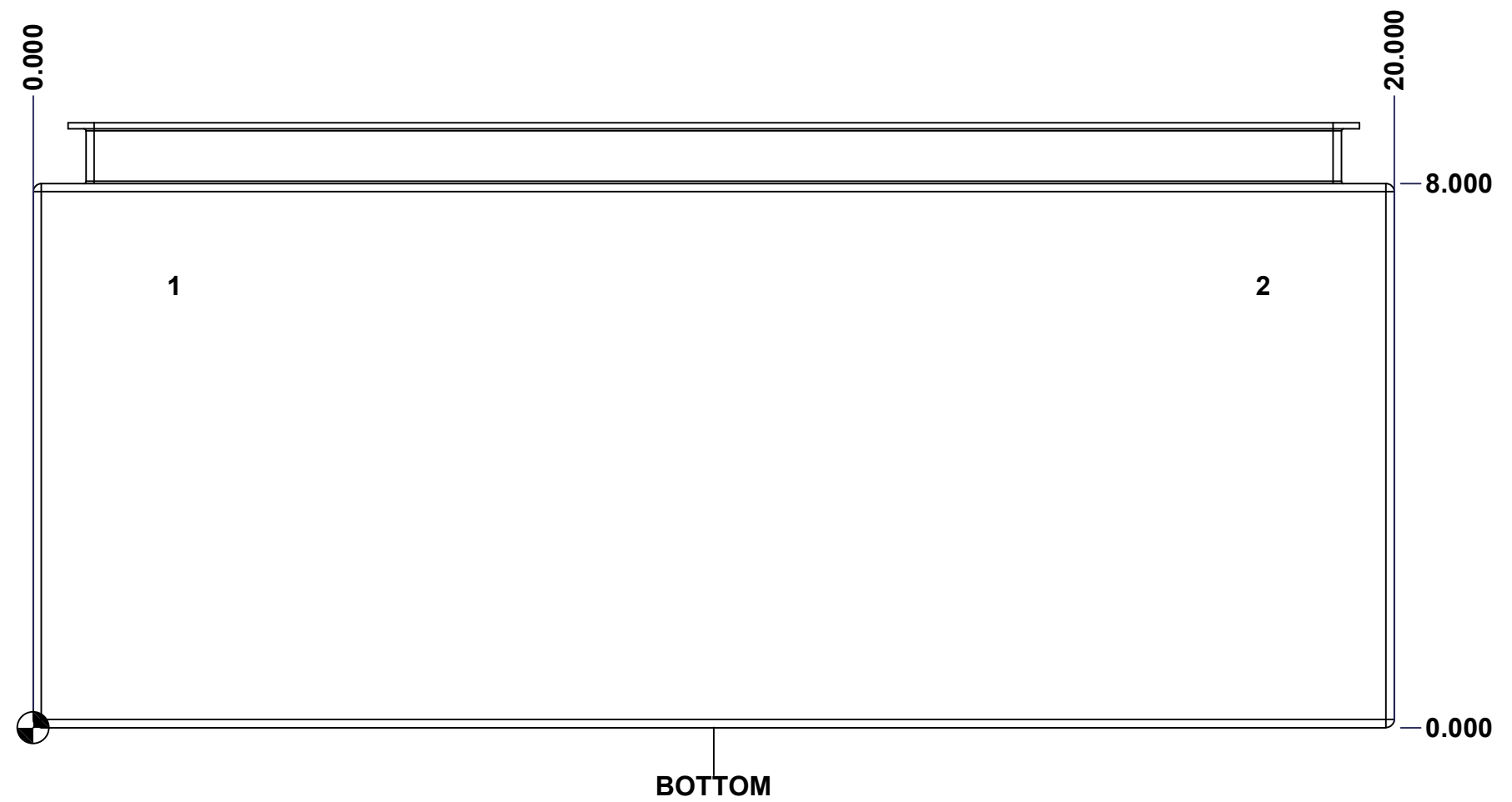


| | | | |
|--|-----------------------------|----------|----|
| | Description | Status | |
| | 5412EAL 30" x 20" x 8" Body | (NULL) | |
| | Part Number Numéro Pièce | Rev. | 4 |
| | 5412EAL302008THB | 0 | 16 |

This drawing is confidential and must not be reproduced or used without the consent of EXM

Ce dessin est confidentiel et ne doit pas être reproduit ou utilisé sans le consentement de EXM

| STANDARD FEATURES ARE NOT LISTED IN THIS HOLE TABLE | | | |
|--|--------|-------|--------------------------------|
| HOLE TABLE - BOTTOM VIEW (CUSTOM FEATURE ONLY) | | | |
| CUT-OUT | XDIM | YDIM | DESCRIPTION |
| 1 | 2.000 | 6.500 | INSUL. STUD M6 x 18mm (Inside) |
| 2 | 18.000 | 6.500 | INSUL. STUD M6 x 18mm (Inside) |



| | | |
|--|-----------------------------|--------|
| | Description | Status |
| | 5412EAL 30" x 20" x 8" Body | (NULL) |
| Part Number Numéro Pièce 5412EAL302008THB | Rev. | 5 |
| | 0 | 16 |

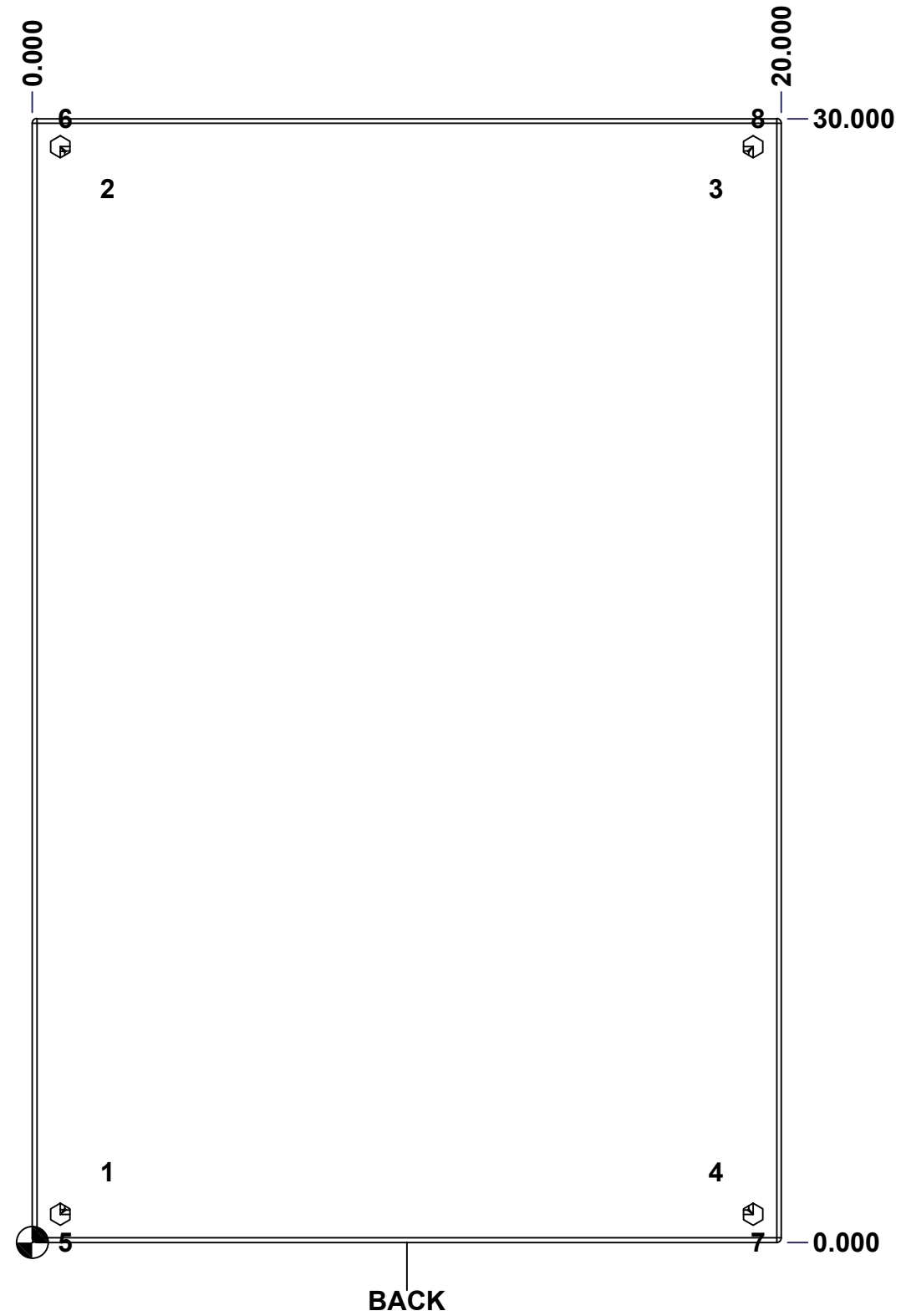
This drawing is confidential and must not be reproduced or used without the consent of EXM

Ce dessin est confidentiel et ne doit pas être reproduit ou utilisé sans le consentement de EXM

STANDARD FEATURES ARE NOT LISTED IN THIS HOLE TABLE

HOLE TABLE - BACK VIEW (CUSTOM FEATURE ONLY)

| CUT-OUT | XDIM | YDIM | DESCRIPTION |
|---------|--------|--------|----------------------------|
| 1 | 1.875 | 1.875 | IP STUD M8 x 35mm (Inside) |
| 2 | 1.875 | 28.125 | IP STUD M8 x 35mm (Inside) |
| 3 | 18.125 | 28.125 | IP STUD M8 x 35mm (Inside) |
| 4 | 18.125 | 1.875 | IP STUD M8 x 35mm (Inside) |
| ----- | | | |
| 5 | 0.750 | 0.000 | FOOT 885 ESMF4_OPEN |
| 6 | 0.750 | 30.000 | FOOT 885 ESMF4_CLOSE |
| 7 | 19.250 | 0.000 | FOOT 885 ESMF4_OPEN |
| 8 | 19.250 | 30.000 | FOOT 885 ESMF4_CLOSE |

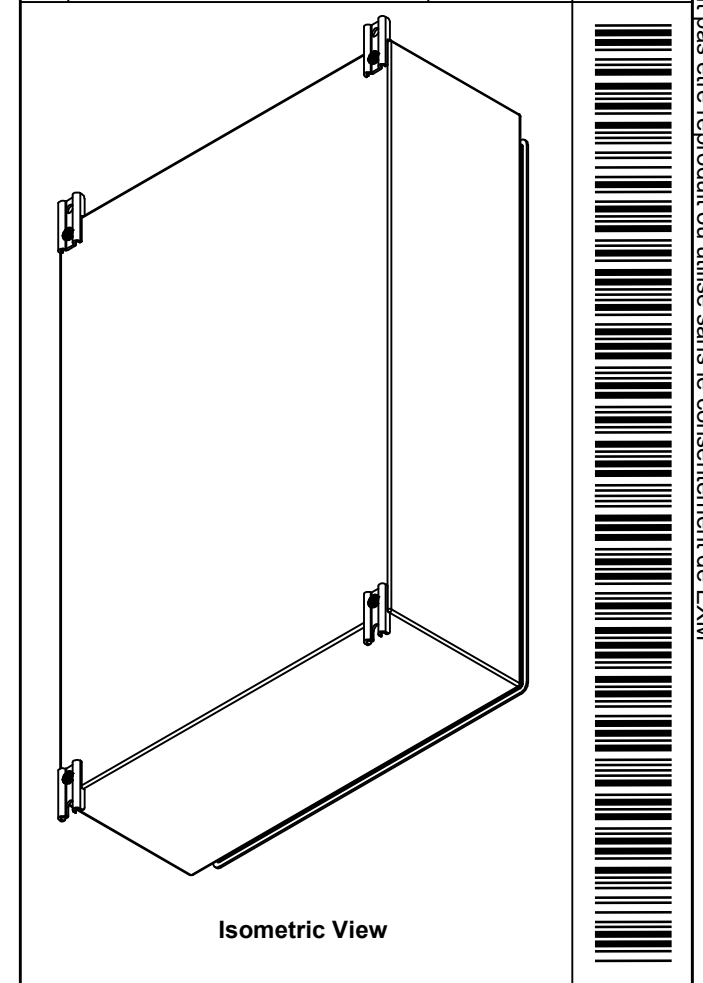


| | | |
|--|--|--------------------|
| | Description 5412EAL 30" x 20" x 8" Body | Status (NULL) |
| | Part Number Numéro Pièce 5412EAL302008THB | Rev. 6 0 |


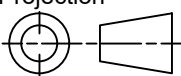
This drawing is confidential and must not be reproduced or used without the consent of EXM

Ce dessin est confidentiel et ne doit pas être reproduit ou utilisé sans le consentement de EXM

| No. | Revisions | Date | By/Par |
|-----|-----------|------|--------|
| | | | |
| | | | |
| | | | |
| | | | |
| | | | |



| 1 | 885 ESMF4 | 0 | 885 ESMF4 Mounting Foot Kit |
|------------|----------------------------|-----|---|
| 1 | STK-K-70554 | 3 | 5412 ESTH Accessory Kit |
| 1 | 5412EAL302008THI-RS | 0 | 5412EAL 30" x 20" Right Insulation |
| 1 | 5412EAL302008THI-LS | 0 | 5412EAL 30" x 20" Left Insulation |
| 1 | 5412EAL302008THI-BT | 0 | 5412EAL 30" x 20"Bottom Insulation |
| 1 | 5412EAL302008THI-TP | 0 | 5412EAL 30" x 20"Top Insulation |
| 1 | 5412EAL302008THI-B | 0 | 5412EAL 30" x 20" Back Insulation |
| 4 | STK-Q-16060 | 0 | Stud M6 x 18mm Aluminum |
| 4 | RIVET_NUT_SS_M10_FH _CE | 0 | Stainless Steel Rivet Nut M10 (Low Profile Close End) |
| 1 | STK-P-02400S | 0 | Powder Paint (Asa-61 Grey / Smooth) |
| 4 | STK-Q-16010 | 0 | Stud M8 x 35mm Aluminum |
| 1 | 5412EAL302008THB-P | 0 | 5412EAL 30" x 20" x 8" Body Part |
| Qty | Part Number | Rev | Description |
| Parts List | | | |

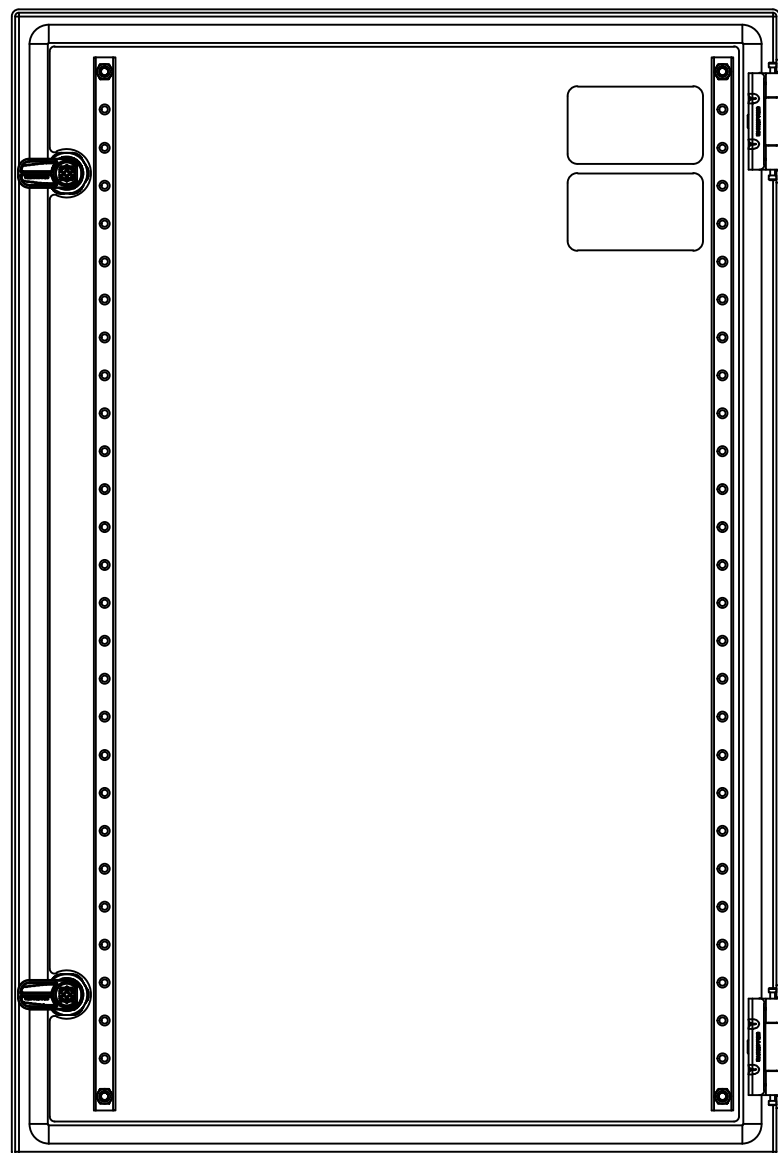
| | | |
|--|-----------------------------|--|
|  Tél: (450) 979-4373 Fax: (450) 979-4626 www.exmweb.com | | Flatness Aplatissement Max 3.0mm |
| Projection  | | Date 28-Jan-26 |
| Customer Client | BoxCad: BoxCad | Date |
| Drawn By / Dessiné Par | BoxCad: BoxCad | Date |
| Material / Matière | Aluminum 5052-H32 (2.3mm) | |
| Color / Couleur | Asa-61 Grey | Finish / Fini Smooth |
| Description | 5412EAL 30" x 20" x 8" Body | |
| Part Number / Numéro Pièce | 5412EAL302008THB | Rev. 7 / 16 |
| | | 0 |

This drawing is confidential and must not be reproduced or used without the consent of EXM

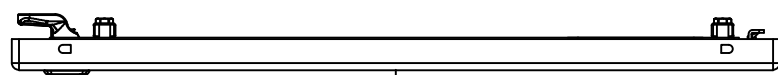
Ce dessin est confidentiel et ne doit pas être reproduit ou utilisé sans le consentement de EXM



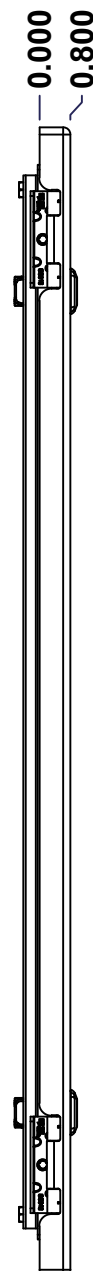
TOP



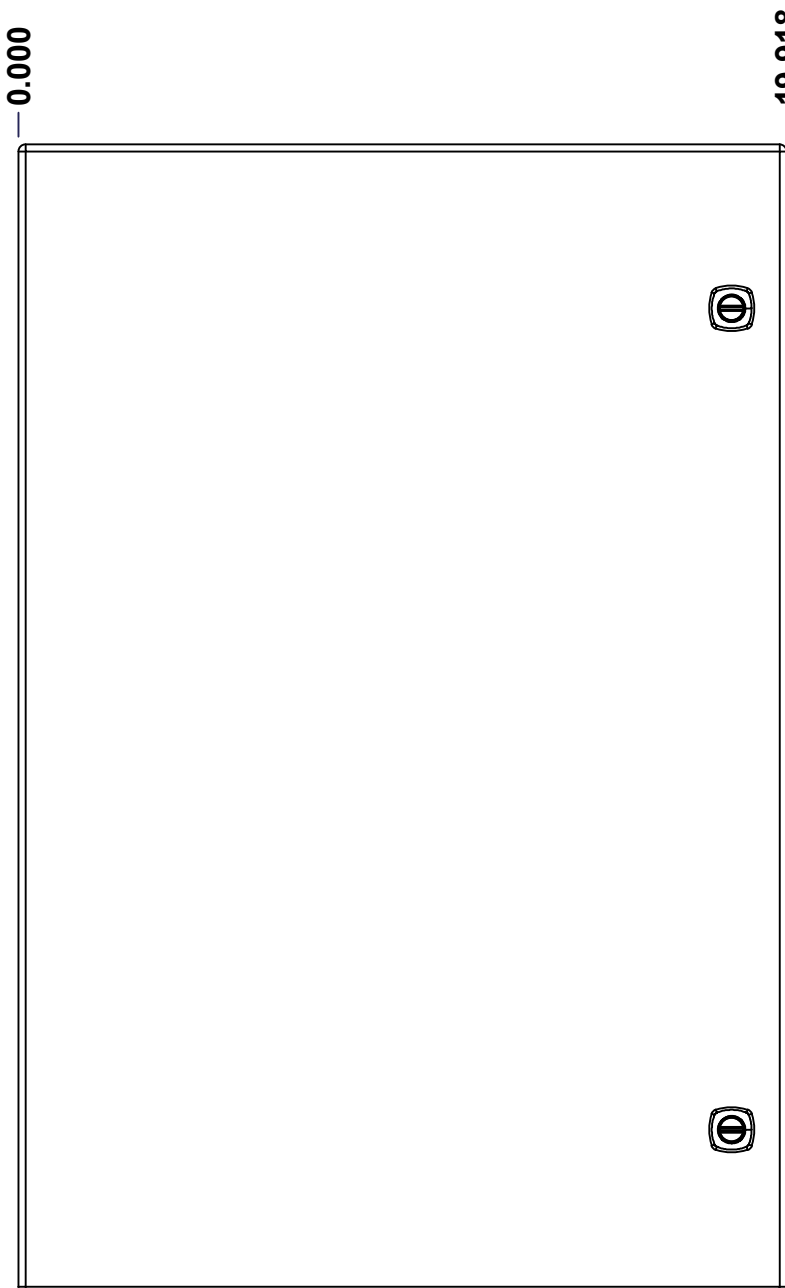
BACK



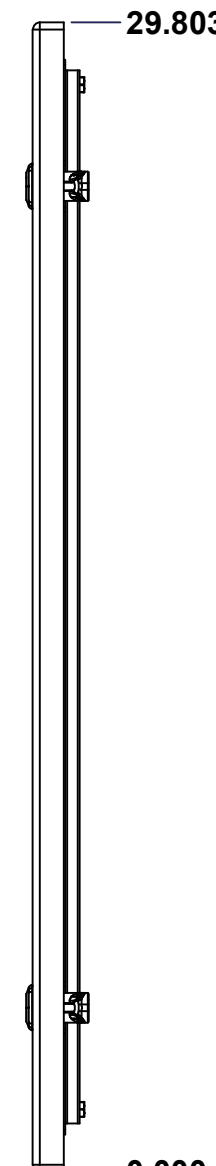
BOTTOM



LEFT

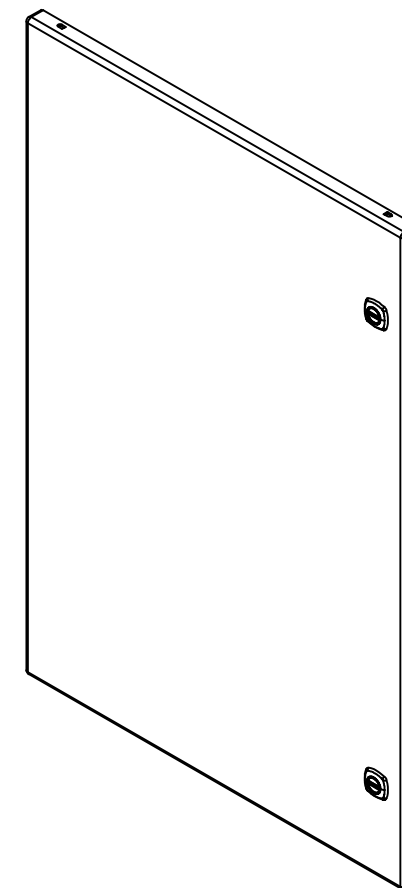


FRONT



RIGHT

| No. | Revisions | Date | By/Par |
|-----|-----------|------|--------|
| | | | |
| | | | |
| | | | |
| | | | |
| | | | |



Isometric View



EXM
exm

Tél: (450) 979-4373
Fax: (450) 979-4626
www.exmweb.com

Flatness
Aplatissement
Max 3.0mm
Projection

| | |
|--|----------------|
| Customer Client | Date |
| Drawn By Dessiné Par BoxCad: BoxCad | Date 28-Jan-26 |

Material Matière Aluminum 5052-H32 (2.3mm)

| | | | |
|---------------|-------------|-------------|--------|
| Color Couleur | Asa-61 Grey | Finish Fini | Smooth |
|---------------|-------------|-------------|--------|

| | |
|-------------------------|-------------|
| Description | Detail Rev. |
| 5412EAL 30" x 20" Cover | |

| | | |
|-----------------------------|----------|----|
| Part Number Numéro Pièce | Rev. | 8 |
| 5412EAL302008THC | 0 | 16 |

SEE BILL OF MATERIAL ON LAST PAGE

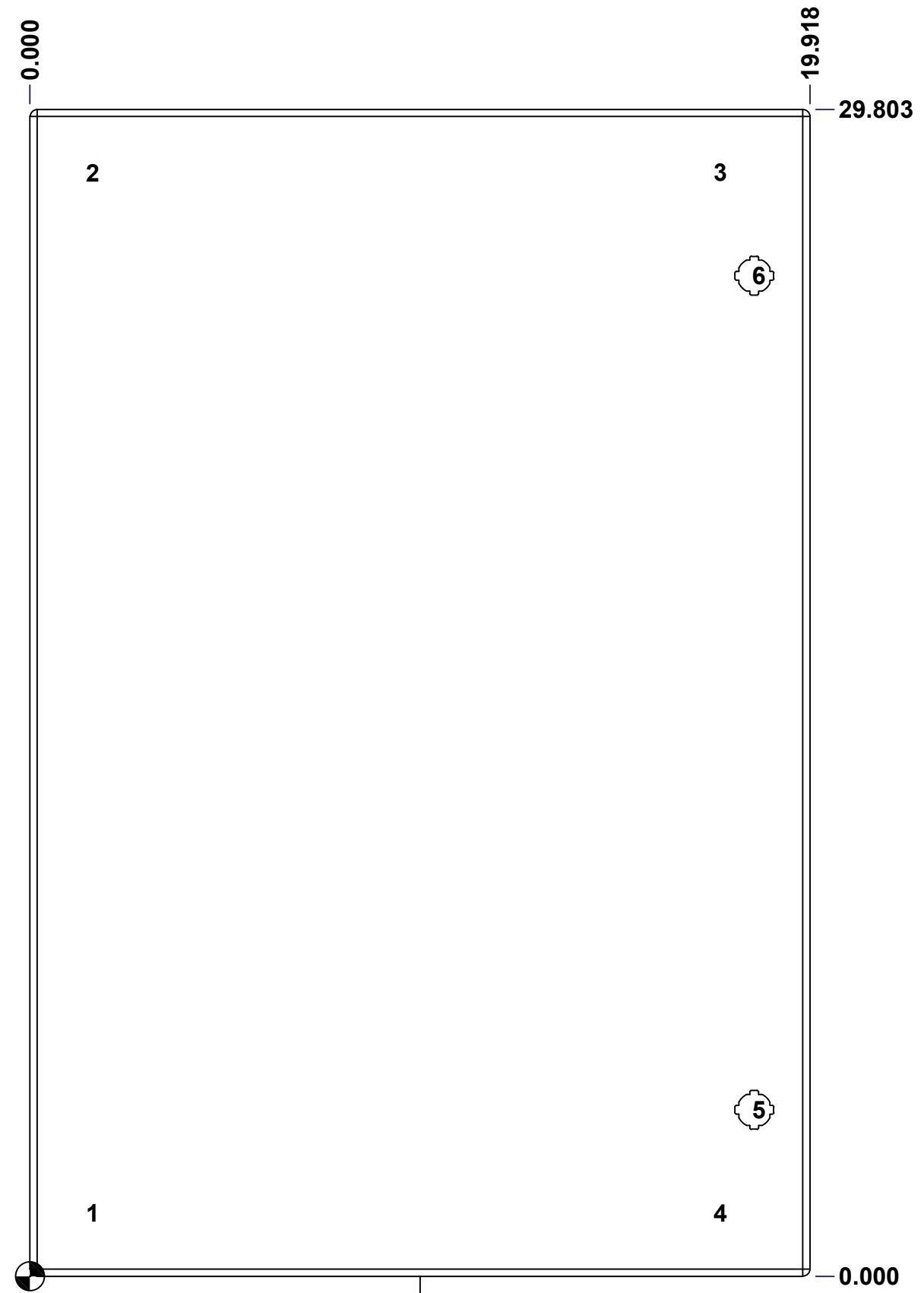
This drawing is confidential and must not be reproduced or used without the consent of EXM

Ce dessin est confidentiel et ne doit pas être reproduit ou utilisé sans le consentement de EXM

STANDARD FEATURES ARE NOT LISTED IN THIS HOLE TABLE

HOLE TABLE - FRONT VIEW (CUSTOM FEATURE ONLY)

| CUT-OUT | XDIM | YDIM | DESCRIPTION |
|---------|--------|--------|-------------------------|
| 1 | 1.486 | 1.614 | STUD M6 x 18mm (Inside) |
| 2 | 1.486 | 28.189 | STUD M6 x 18mm (Inside) |
| 3 | 17.517 | 28.189 | STUD M6 x 18mm (Inside) |
| 4 | 17.517 | 1.614 | STUD M6 x 18mm (Inside) |
| ----- | | | |
| 5 | 18.494 | 4.250 | LOCK 880 SCQ4-SL @ 0.0° |
| 6 | 18.494 | 25.553 | LOCK 880 SCQ4-SL @ 0.0° |



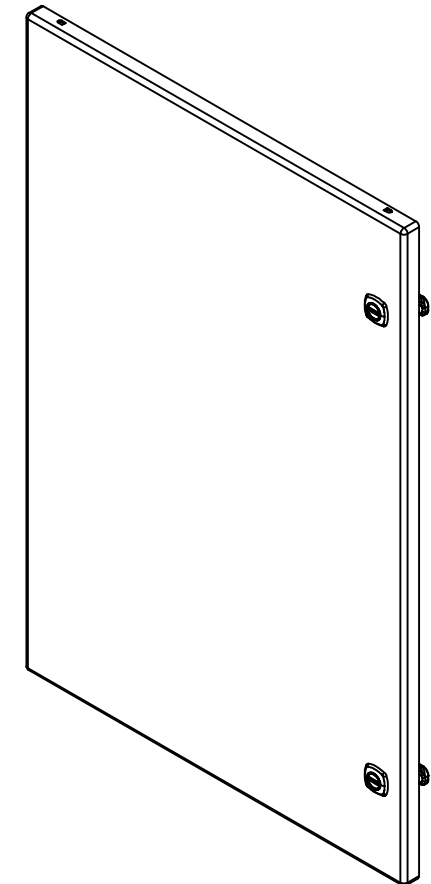
FRONT

| | | |
|--|-----------------------------|--------------|
| | Description | Status |
| | 5412EAL 30" x 20" Cover | (NULL) |
| | Part Number Numéro Pièce | Rev. |
| | 5412EAL302008THC | 0 / 9 |
| | | 16 |

This drawing is confidential and must not be reproduced or used without the consent of EXM

Ce dessin est confidentiel et ne doit pas être reproduit ou utilisé sans le consentement de EXM

| No. | Revisions | Date | By/Par |
|-----|-----------|------|--------|
| | | | |
| | | | |
| | | | |
| | | | |
| | | | |



Isometric View

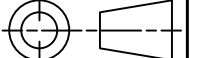


Tél: (450) 979-4373
 Fax: (450) 979-4626
www.exmweb.com

Flatness
Aplatissement

Max 3.0mm

Projection



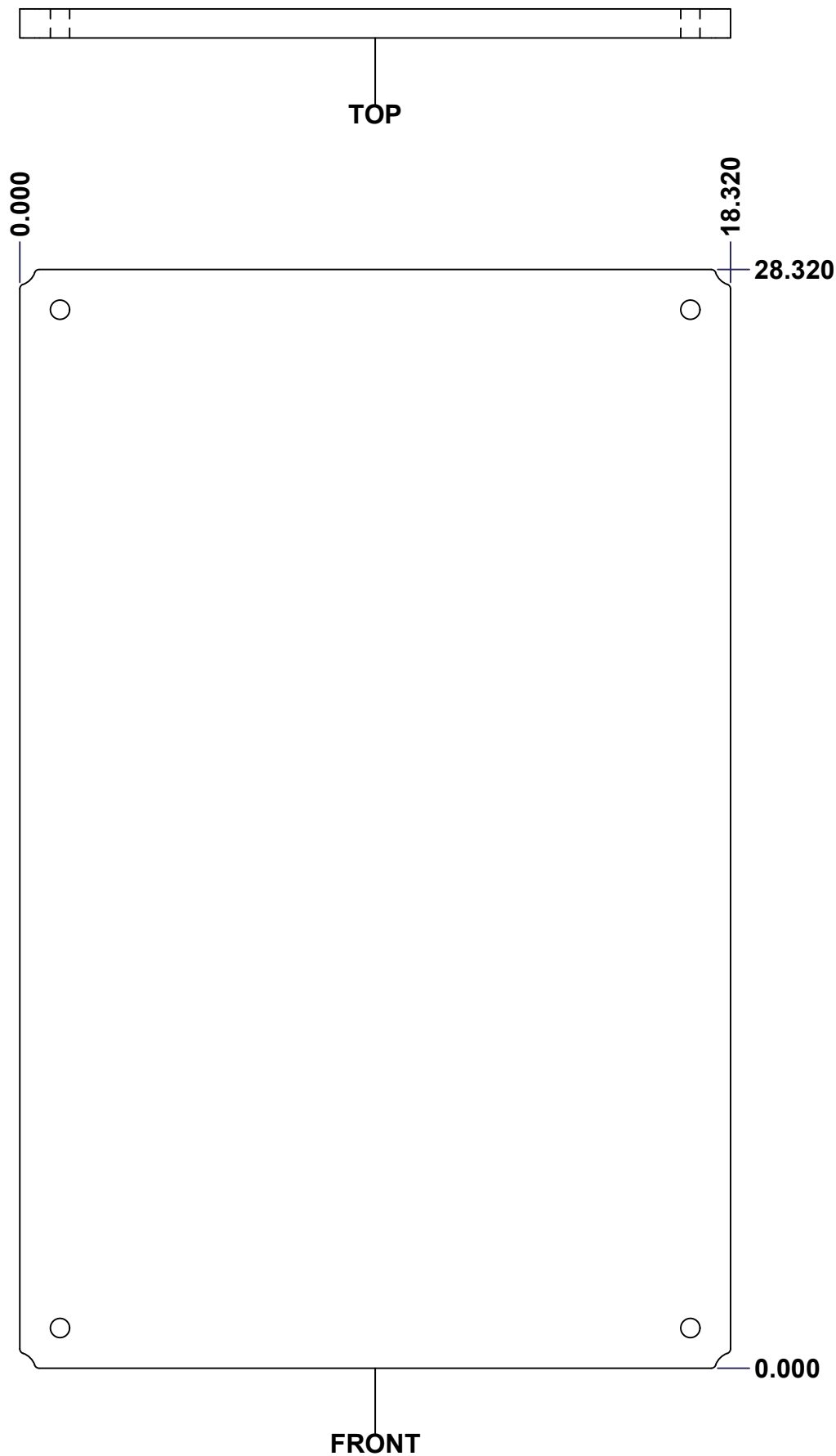
| | | | |
|---|--------------------|---|--|
| 4 | STK-Q-07250 | 2 | M6 x 16mm Collar Nut |
| 2 | STK-Q-46020-30 | 6 | 5412 ES Vertical Door Stiffener 30" |
| 2 | STK-S-00100 | 0 | 3.5" x 2" Silver Milar Flexcon Sticker |
| 1 | 5412EAL302008THI-C | 0 | 5412EAL 30" x 20" Cover Insulation |
| 2 | 880 SCQ4-SL | 6 | 5412 ES 1/4 Turn Lock |
| 1 | STK-P-02400S | 0 | Powder Paint (Asa-61 Grey / Smooth) |
| 4 | STK-Q-16060 | 0 | Stud M6 x 18mm Aluminum |
| 2 | STK-A-33016 | 2 | 5412 ESS Bended Hinge (Body Part) |
| 1 | 5412EAL302008THG | 0 | 5412EAL 30" x 20" Cover Gasket Part |
| 1 | 5412EAL302008THC-P | 0 | 5412EAL 30" x 20" Cover Part |

| | |
|---|-----------------------|
| Customer Client | Date |
| Drawn By / Dessiné Par: BoxCad: BoxCad | Date: 28-Jan-26 |
| Material / Matière: Aluminum 5052-H32 (2.3mm) | |
| Color / Couleur: Asa-61 Grey | Finish / Fini: Smooth |
| Description: 5412EAL 30" x 20" Cover | Detail Rev. |
| Part Number / Numéro Pièce: 5412EAL302008THC | Rev. 0 |

| QTY | Part Number | Rev | Description |
|------------|-------------|-----|-------------|
| Parts List | | | |

This drawing is confidential and must not be reproduced or used without the consent of EXM

Ce dessin est confidentiel et ne doit pas être reproduit ou utilisé sans le consentement de EXM



| No. | Revisions | Date | By/Par |
|-----|-----------|------|--------|
| | | | |
| | | | |
| | | | |
| | | | |
| | | | |

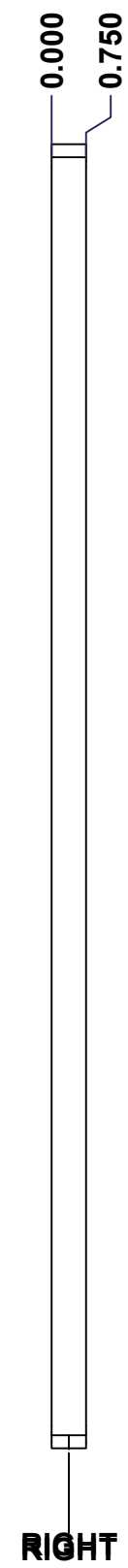
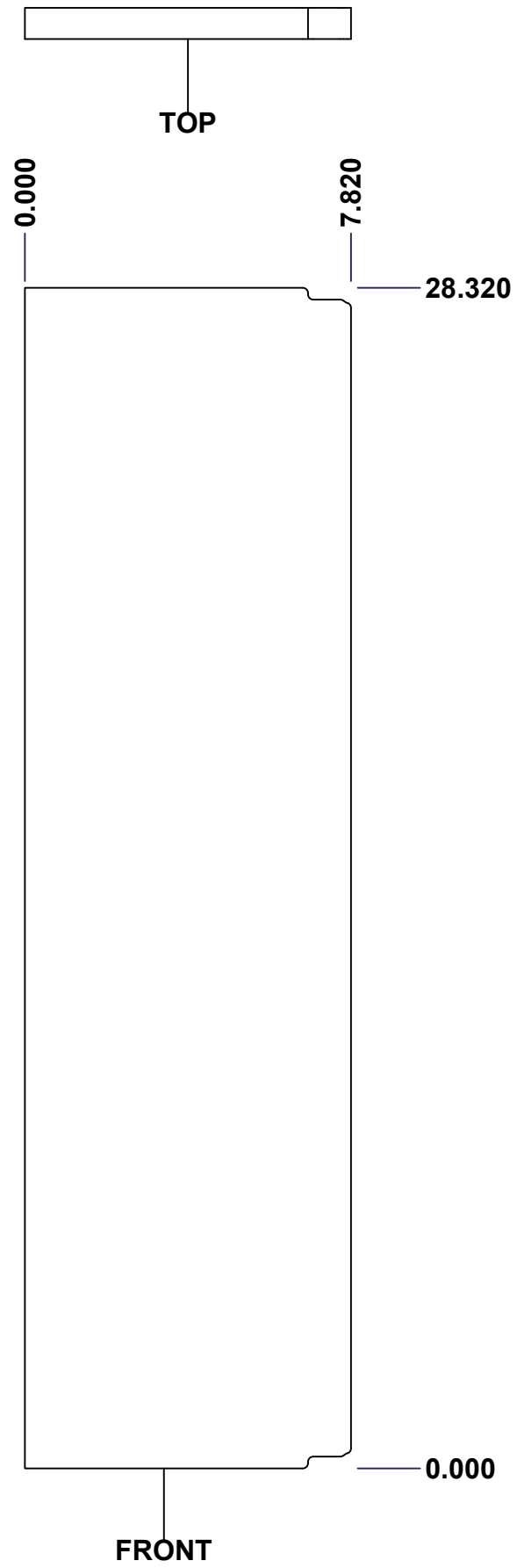
Isometric View

| | | | |
|---|--|---------------------------|----------------|
| <p>Tél: (450) 979-4373 Fax: (450) 979-4626 www.exmweb.com</p> | | Flatness Aplatissement | |
| | | Max 3.0mm | |
| Customer Client | | Date | |
| Drawn By Dessiné Par | | Date | |
| Material Matière | | Polyisocyanurate | |
| Color Couleur | | Aluminum | Finish Fini |
| Description | | Detail Rev. | |
| 5412EAL 30" x 20" Back Insulation | | | |
| Part Number Numéro Pièce | | Rev. | |
| 5412EAL302008THI-B | | 0 | 11 16 |

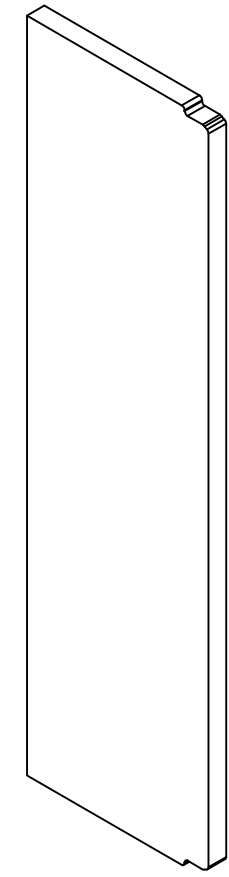
SEE BILL OF MATERIAL ON LAST PAGE

This drawing is confidential and must not be reproduced or used without the consent of EXM

Ce dessin est confidentiel et ne doit pas être reproduit ou utilisé sans le consentement de EXM


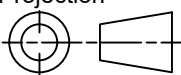


| No. | Revisions | Date | By/Par |
|-----|-----------|------|--------|
| | | | |
| | | | |
| | | | |
| | | | |
| | | | |



Isometric View

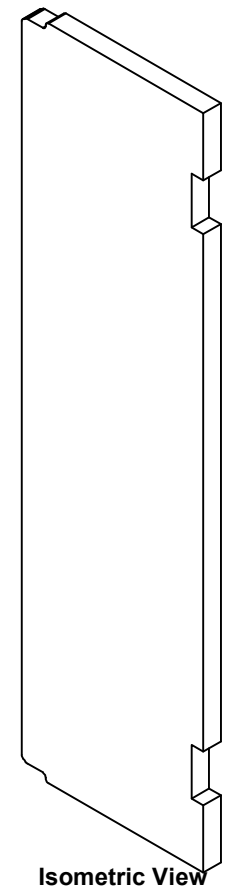
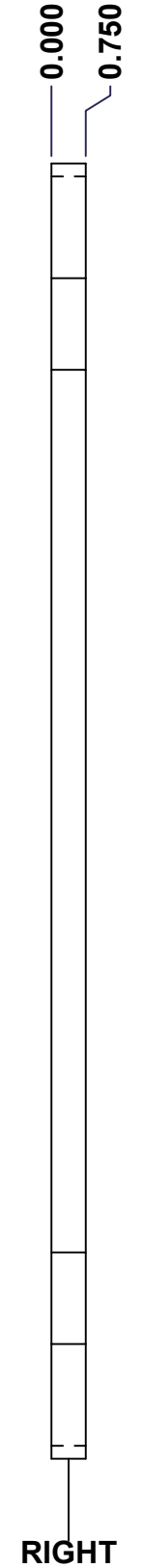
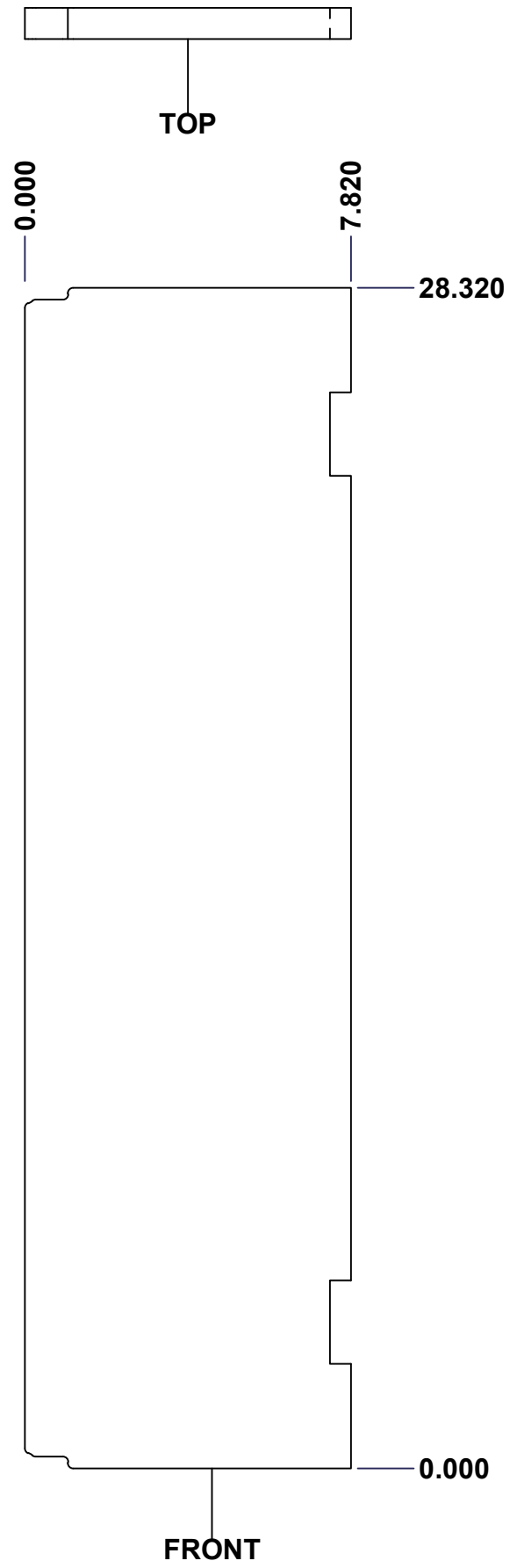


| | | |
|--|---------------------------|---|
|  Tél: (450) 979-4373 Fax: (450) 979-4626 www.exmweb.com | | Flatness Aplatissement Max 3.0mm Projection  |
| Customer Client | Date | |
| Drawn By Dessiné Par | BoxCad: Patrick Deschenes | Date 23-Jan-07 |
| Material Matière | Polyisocyanurate | |
| Color Couleur | Aluminum | Finish Fini N/A |
| Description | | Detail Rev. |
| 5412EAL 30" x 20" Left Insulation | | |
| Part Number Numéro Pièce | Rev. | 12 |
| 5412EAL302008THI-LS | 0 | 16 |


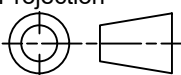
SEE BILL OF MATERIAL ON LAST PAGE

This drawing is confidential and must not be reproduced or used without the consent of EXM

Ce dessin est confidentiel et ne doit pas être reproduit ou utilisé sans le consentement de EXM



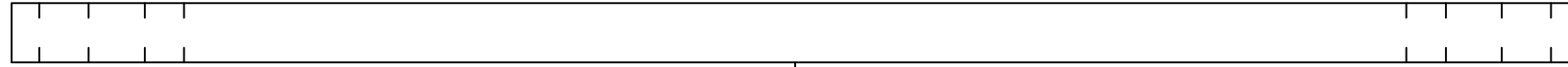
| No. | Revisions | Date | By/Par |
|-----|-----------|------|--------|
| | | | |
| | | | |
| | | | |
| | | | |
| | | | |

| | | |
|--|--------------------|---|
|  Tél: (450) 979-4373 Fax: (450) 979-4626 www.exmweb.com | | Flatness Aplatissement Max 3.0mm |
| Customer Client | | Projection  |
| Drawn By / Dessiné Par: BoxCad: Patrick Deschenes | | Date: 23-Jan-07 |
| Material / Matière: Polyisocyanurate | | |
| Color / Couleur: Aluminum | Finish / Fini: N/A | |
| Description: 5412EAL 30" x 20" Right Insulation | | Detail Rev. |
| Part Number / Numéro Pièce: 5412EAL302008THI-RS | | Rev. 13 / 16 |

SEE BILL OF MATERIAL ON LAST PAGE

This drawing is confidential and must not be reproduced or used without the consent of EXM

Ce dessin est confidentiel et ne doit pas être reproduit ou utilisé sans le consentement de EXM



TOP

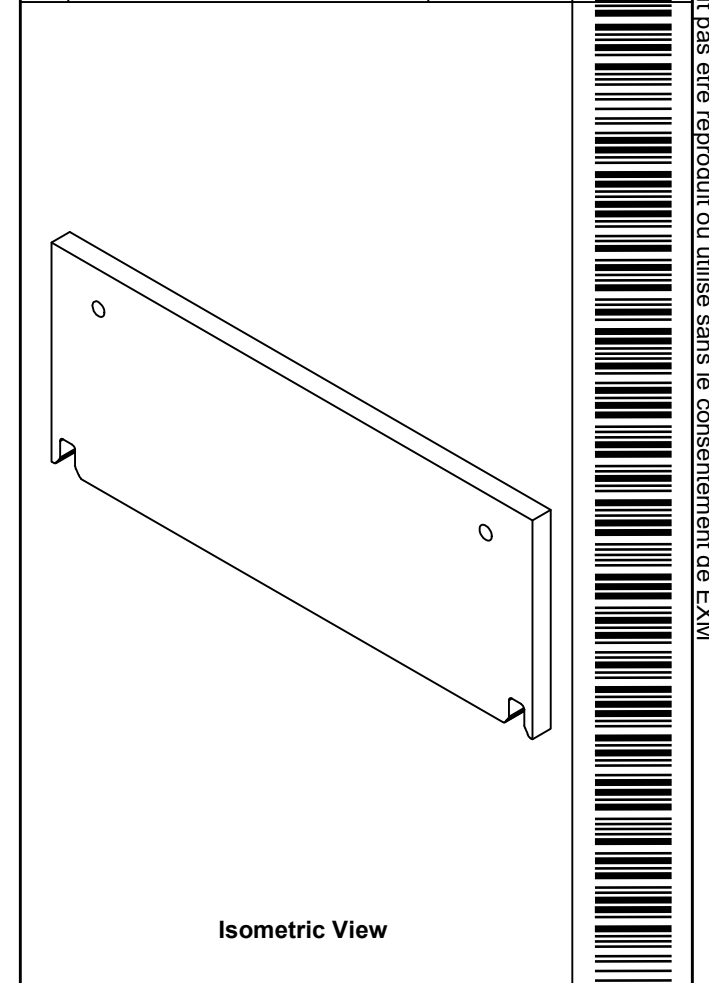


FRONT




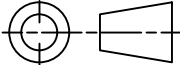
RIGHT

| No. | Revisions | Date | By/Par |
|-----|-----------|------|--------|
| | | | |
| | | | |
| | | | |
| | | | |



Isometric View

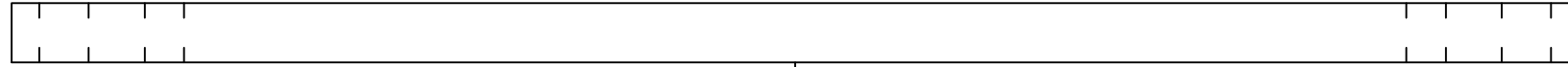


| | | |
|--|------------------|---|
|  Tél: (450) 979-4373 Fax: (450) 979-4626 www.exmweb.com | | Flatness Aplatissement Max 3.0mm Projection  |
| Customer Client | Date | |
| Drawn By Dessiné Par | BoxCad: BoxCad | Date 4/3/2024 |
| Material Matière | Polyisocyanurate | |
| Color Couleur | Aluminum | Finish Fini Smooth |
| Description | Detail Rev. | |
| 5412EAL 30" x 20"Top Insulation | | |
| Part Number Numéro Pièce | Rev. | 14 |
| 5412EAL302008THI-TP | 0 | 16 |

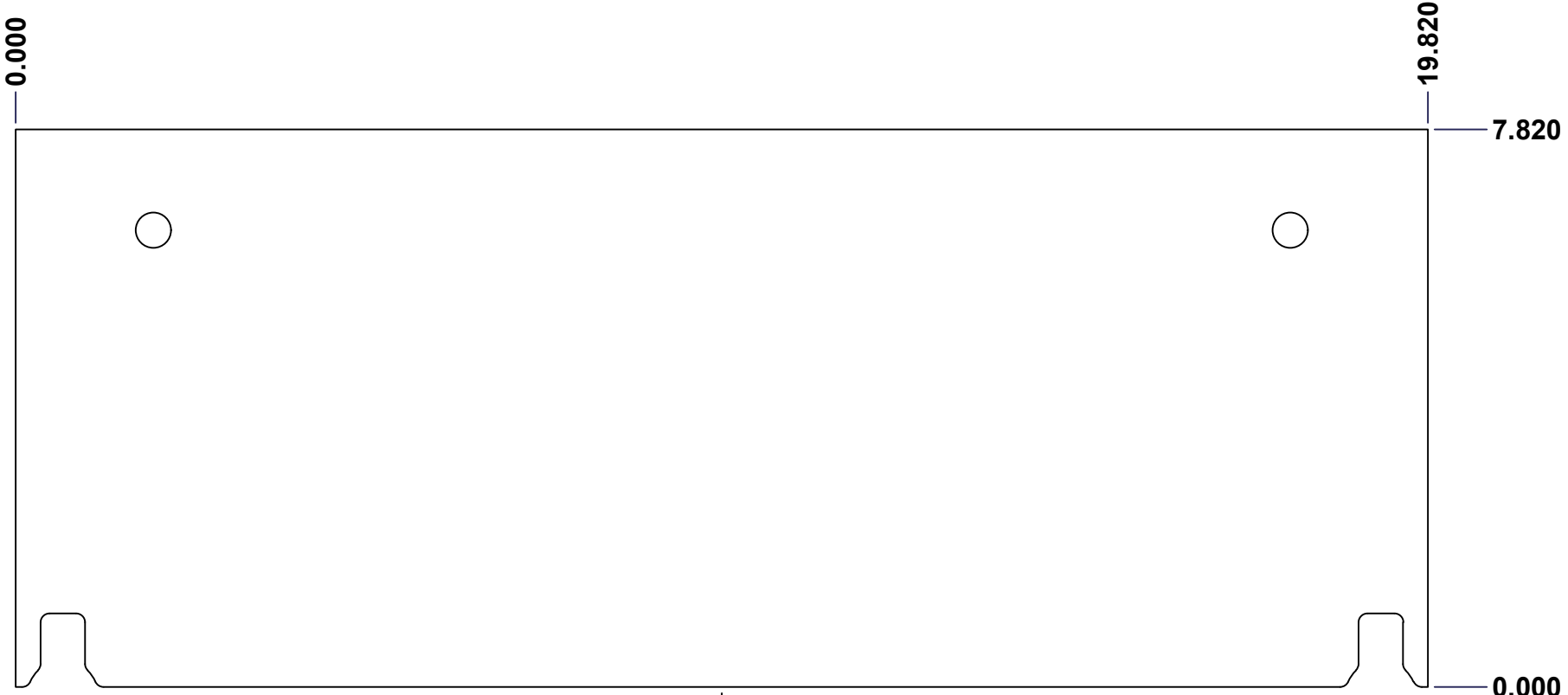
SEE BILL OF MATERIAL ON LAST PAGE

This drawing is confidential and must not be reproduced or used without the consent of EXM

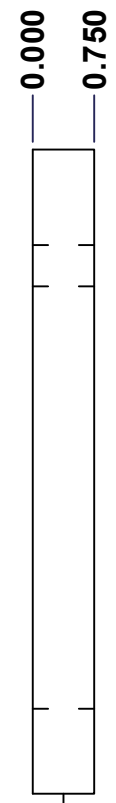
Ce dessin est confidentiel et ne doit pas être reproduit ou utilisé sans le consentement de EXM



TOP

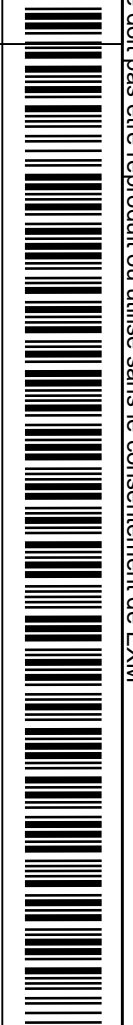
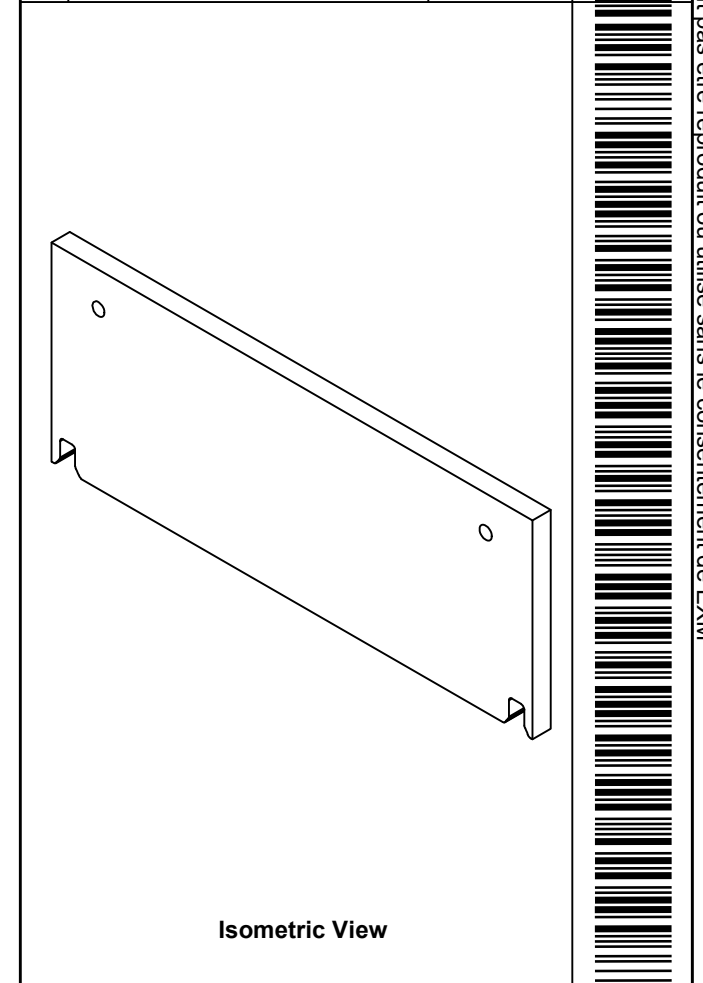



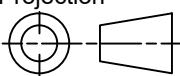
FRONT



RIGHT

| No. | Revisions | Date | By/Par |
|-----|-----------|------|--------|
| | | | |
| | | | |
| | | | |
| | | | |

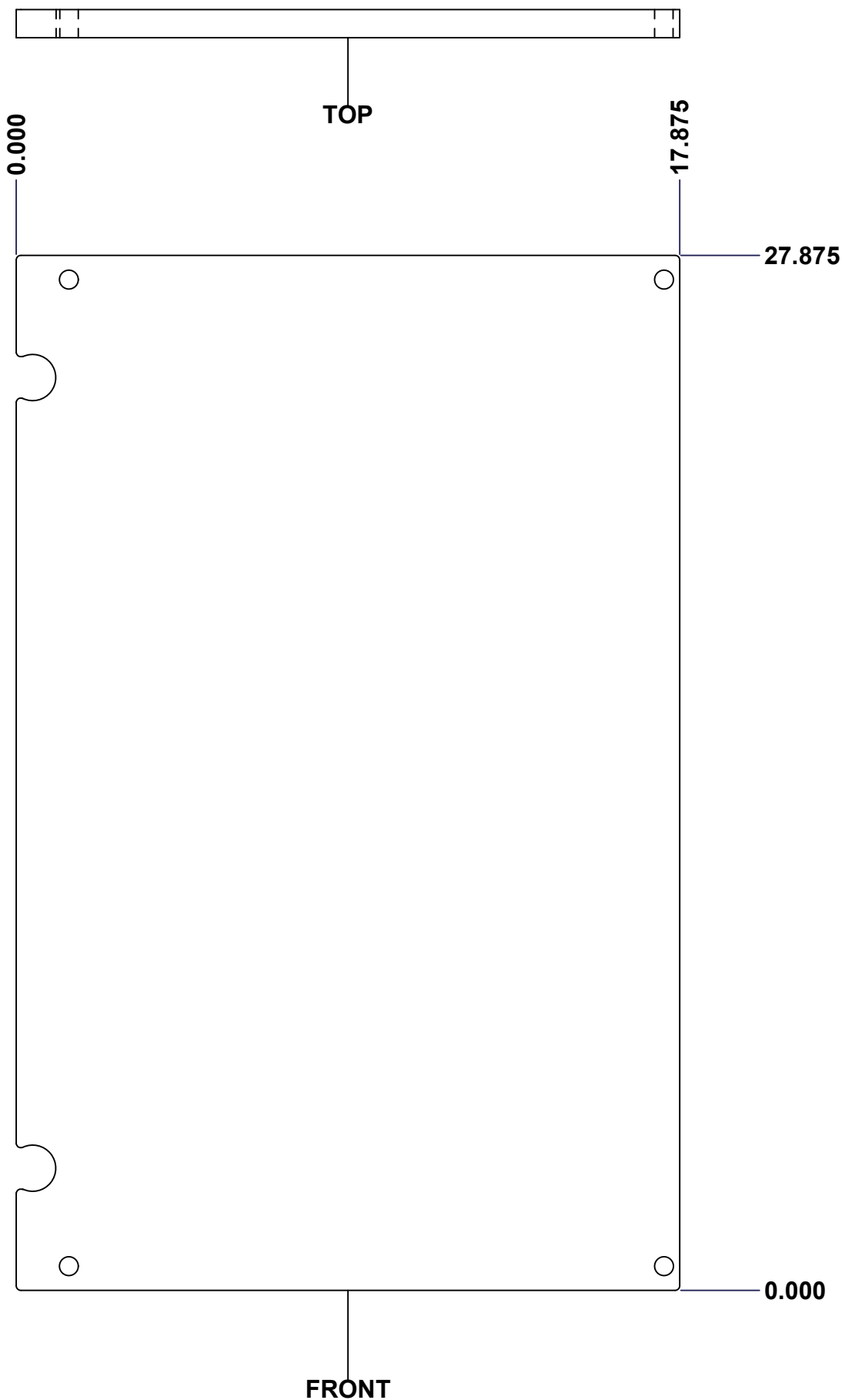


| | | | |
|--|------------------------------------|---------------------------|---|
|  Tél: (450) 979-4373 Fax: (450) 979-4626 www.exmweb.com | | Flatness Aplatissement | Max 3.0mm |
| | | Projection |  |
| Customer Client | Date | | |
| Drawn By Dessiné Par | BoxCad: BoxCad | Date | 4/3/2024 |
| Material Matière | Polyisocyanurate | | |
| Color Couleur | Aluminum | Finish Fini | Smooth |
| Description | 5412EAL 30" x 20"Bottom Insulation | | Detail Rev. |
| Part Number Numéro Pièce | 5412EAL302008THI-BT | Rev. | 15 0 |

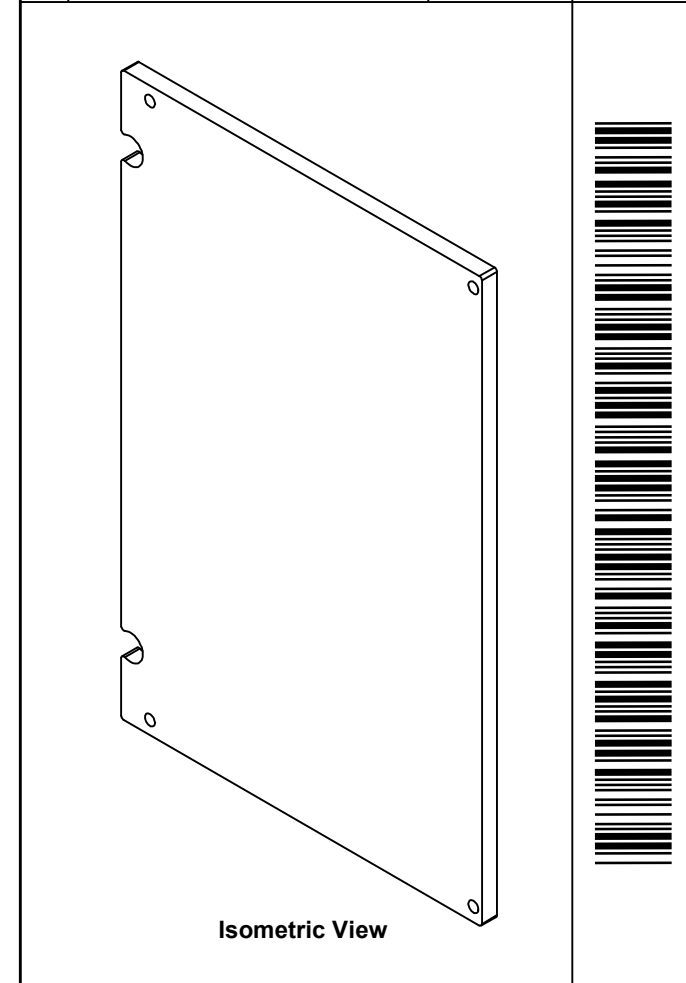
SEE BILL OF MATERIAL ON LAST PAGE


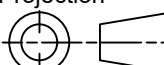
This drawing is confidential and must not be reproduced or used without the consent of EXM

Ce dessin est confidentiel et ne doit pas être reproduit ou utilisé sans le consentement de EXM



| No. | Revisions | Date | By/Par |
|-----|-----------|------|--------|
| | | | |
| | | | |
| | | | |
| | | | |
| | | | |

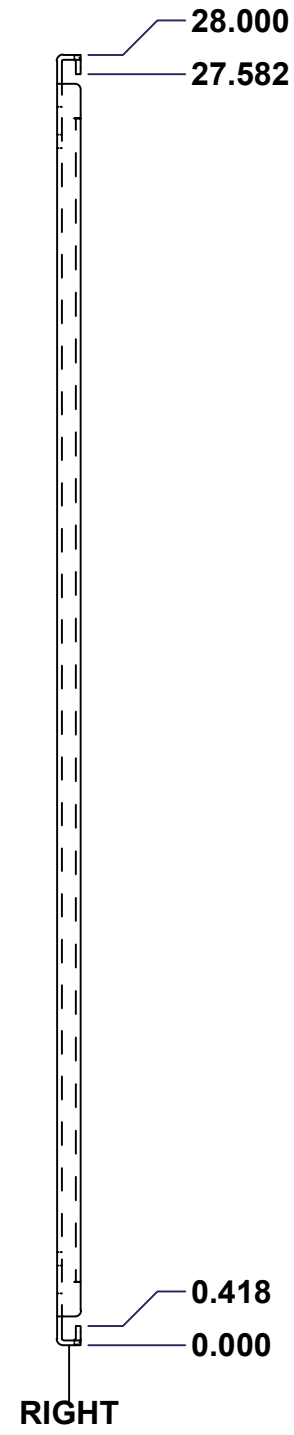
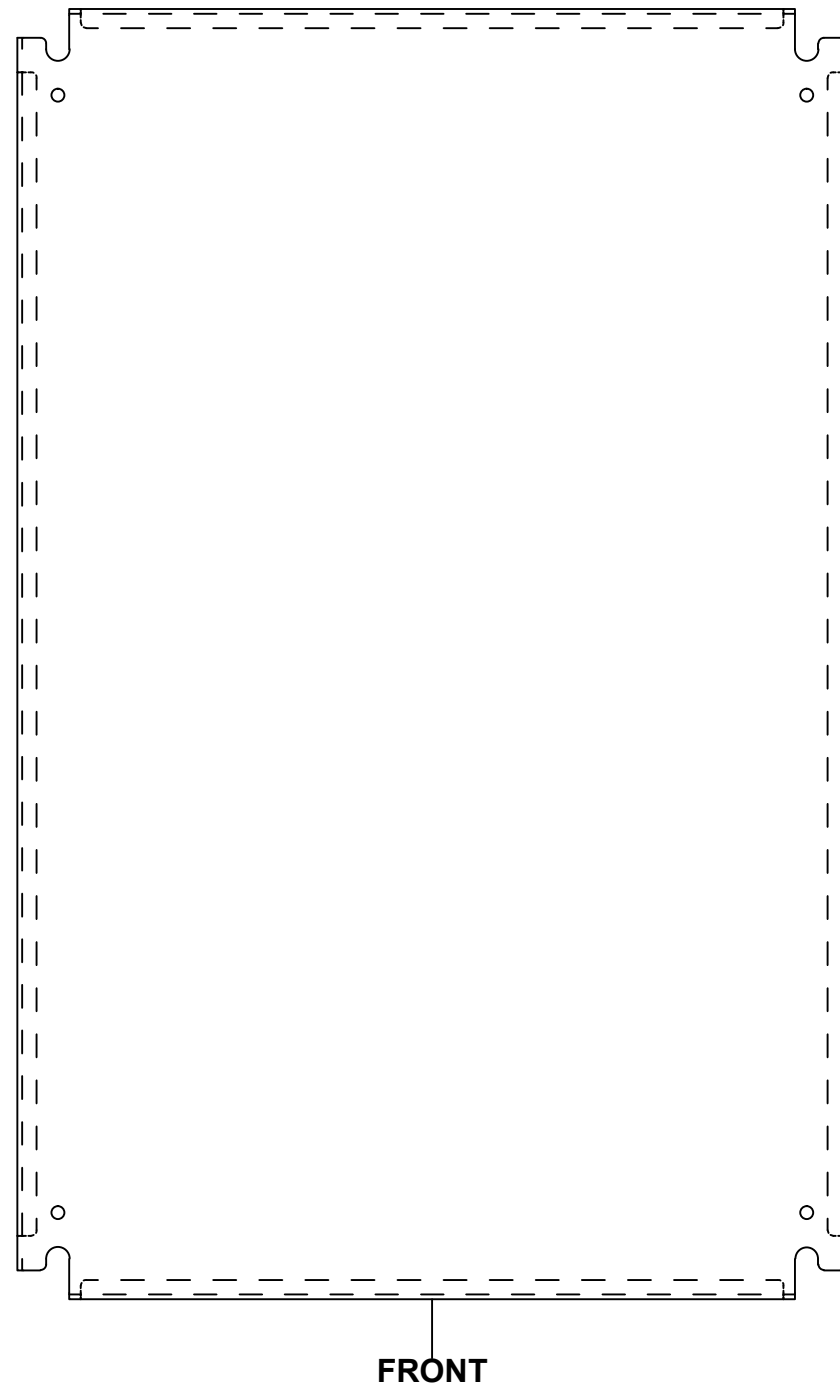
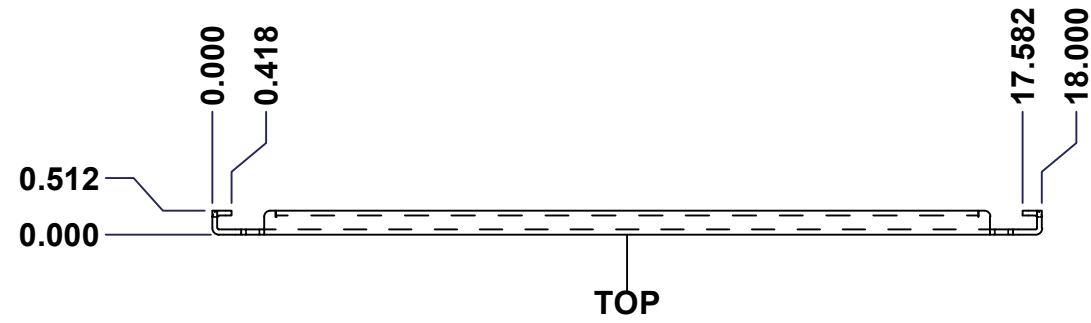


| | | |
|--|---------------------------|---|
|  Tél: (450) 979-4373 Fax: (450) 979-4626 www.exmweb.com | | Flatness Aplatissement Max 3.0mm Projection  |
| Customer Client | Date | |
| Drawn By Dessiné Par | BoxCad: Patrick Deschenes | Date 23-Jan-07 |
| Material Matière | Polyisocyanurate | |
| Color Couleur | Aluminum | Finish Fini N/A |
| Description | Detail Rev. | |
| 5412EAL 30" x 20" Cover Insulation | | |
| Part Number Numéro Pièce | Rev. | 16 |
| 5412EAL302008THI-C | 0 | 16 |

SEE BILL OF MATERIAL ON LAST PAGE

This drawing is confidential and must not be reproduced or used without the consent of EXM

Ce dessin est confidentiel et ne doit pas être reproduit ou utilisé sans le consentement de EXM



| No. | Revisions | Date | By/Par |
|-----|-----------|------|--------|
| | | | |
| | | | |
| | | | |
| | | | |
| | | | |

Isometric View

| | | |
|--|-----------------|--|
| Tél: (450) 979-4373 Fax: (450) 979-4626 www.exmweb.com | | Flatness Aplatissement Max 3.0mm Projection |
| Customer Client | Date | |
| Drawn By Dessiné Par: BoxCad | Date: 23-Jan-07 | |
| Material Matière | See Part List | |
| Color Couleur | See Part List | Finish Fini: See Part List |
| Description | Detail Rev. | |
| 881 SP - Inner Panel | | |
| Part Number Numéro Pièce: 881 SP3020G | Rev. 0 | 1 2 |

| Qty | Part Number | Rev | Description | Material | Color | Finish |
|-----|---------------|-----|---------------------------|------------------|-----------|------------|
| 1 | 881 SP3020G-P | 0 | 881 SP - Inner Panel Part | 12 Ga Galvanized | Unpainted | Galvanized |

Parts List

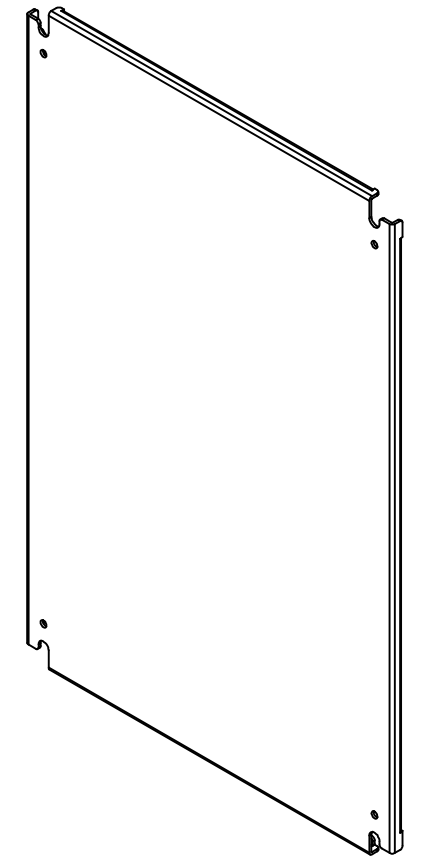
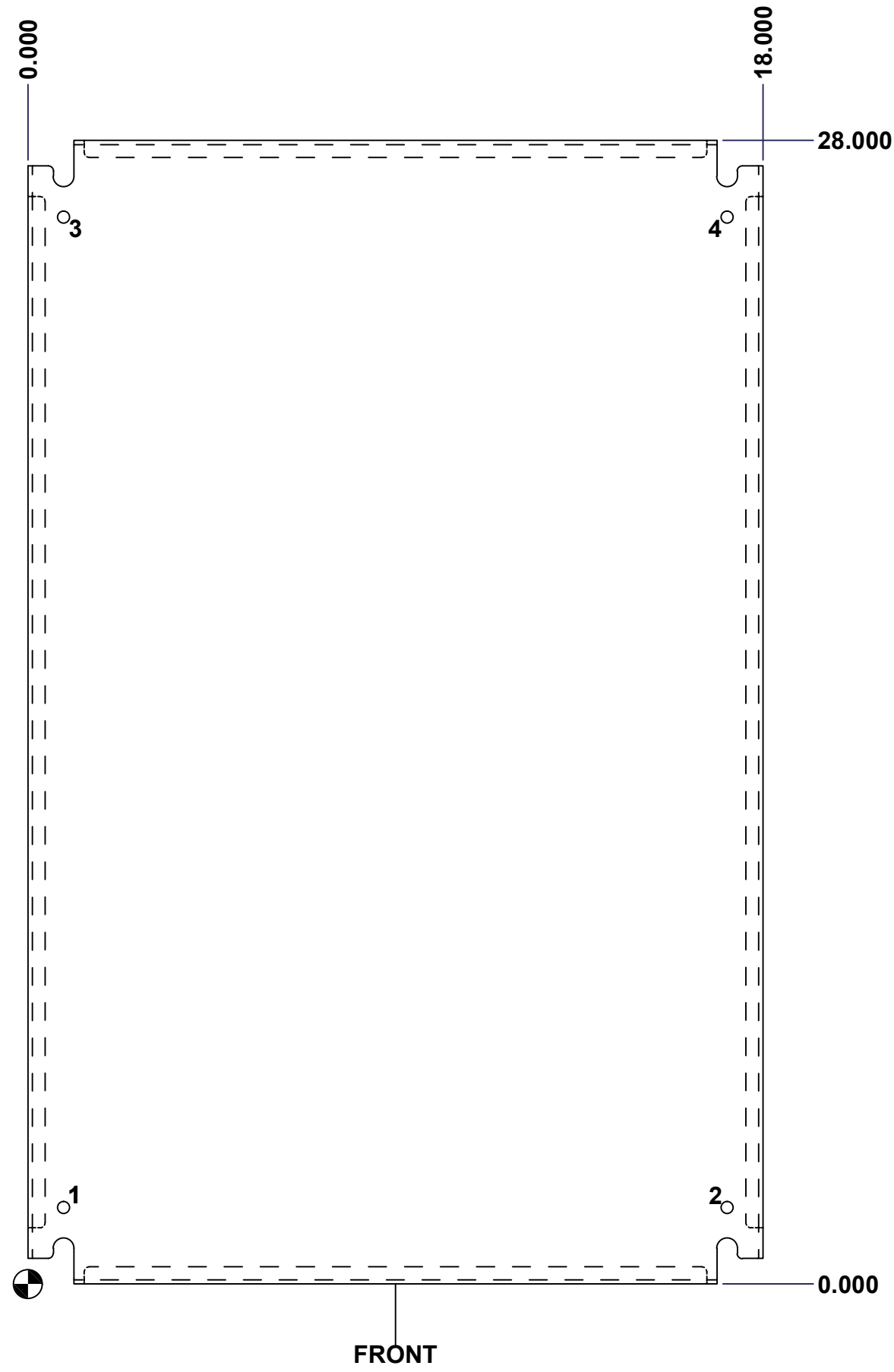
This drawing is confidential and must not be reproduced or used without the consent of EXM

Ce dessin est confidentiel et ne doit pas être reproduit ou utilisé sans le consentement de EXM

| Table 1 | | | FRONT VIEW |
|---------|--------|--------|--------------------------|
| CUT-OUT | XDIM | YDIM | DESCRIPTION |
| 1 | 0.875 | 1.875 | GROUND HOLE (RND Ø0.290) |
| 2 | 17.125 | 1.875 | GROUND HOLE (RND Ø0.290) |
| 3 | 0.875 | 26.125 | GROUND HOLE (RND Ø0.290) |
| 4 | 17.125 | 26.125 | GROUND HOLE (RND Ø0.290) |

All knockouts are actual size / Les disques défonçables sont grandeur réel

| No. | Revisions | Date | By/Par |
|-----|-----------|------|--------|
| | | | |
| | | | |
| | | | |
| | | | |
| | | | |



Isometric View



| | | |
|---|--|--|
| | Tél: (450) 979-4373 Fax: (450) 979-4626 www.exmweb.com | Flatness Aplatissement Max 3.0mm |
| | Projection | Date Date 23-Jan-07 |
| Customer Client | Drawn By Dessiné Par BoxCad | Material Matière See Part List |
| Color Couleur See Part List | Finish Fini See Part List | Description 881 SP - Inner Panel |
| Part Number Numéro Pièce 881 SP3020G | Detail Rev. | Rev. 2 0 |