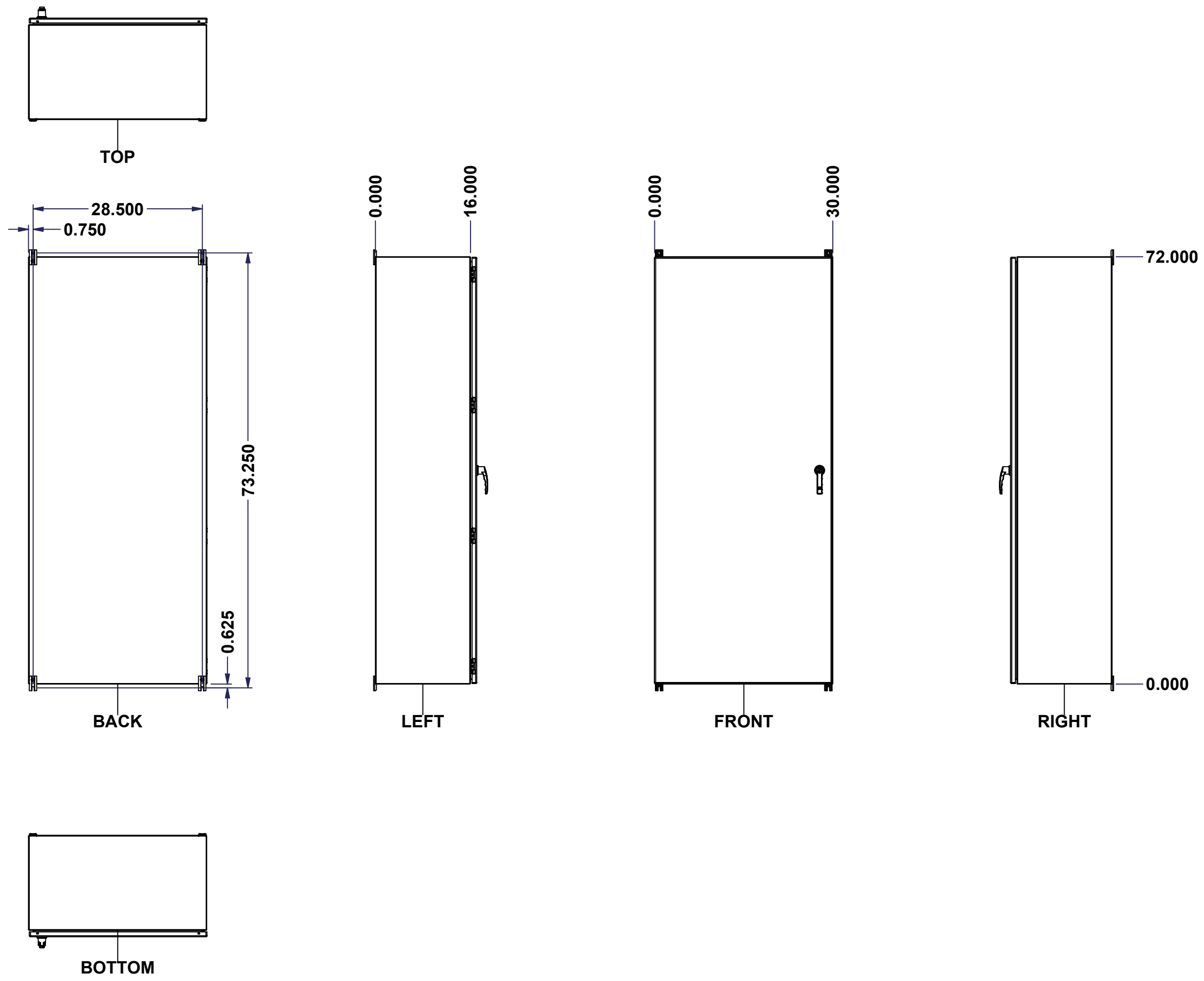
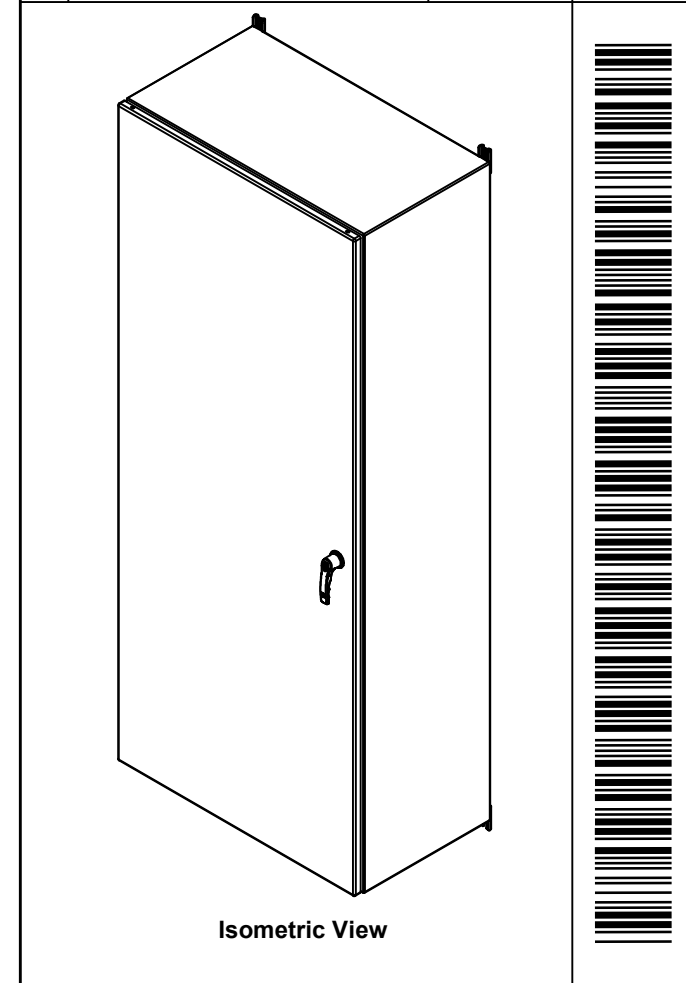


This drawing is confidential and must not be reproduced or used without the consent of EXM

Ce dessin est confidentiel et ne doit pas être reproduit ou utilisé sans le consentement de EXM



| No. | Revisions | Date | By/Par |
|-----|-----------|------|--------|
|     |           |      |        |
|     |           |      |        |
|     |           |      |        |
|     |           |      |        |



|  |                     |  |
|--|---------------------|--|
| Tél: (450) 979-4373<br>Fax: (450) 979-4626<br><a href="http://www.exmweb.com">www.exmweb.com</a> |                     | Flatness<br>Aplatissement<br>Max 3.0mm<br>Projection<br> |
| Customer Client  | Date                |  |
| Drawn By / Dessiné Par: BoxCad: BoxCad   | Date: 28-Jan-26     |  |
| Material Matière: Aluminum 5052-H32 (2.3mm)  |                     |  |
| Color Couleur: Asa-61 Grey   | Finish Fini: Smooth |  |
| Description: 5412EAL 72" x 30" x 16" Assembly  | Detail Rev.         |  |
| Part Number / Numéro Pièce: 5412EAL723016TH  | Rev. 0              | 1 / 16   |

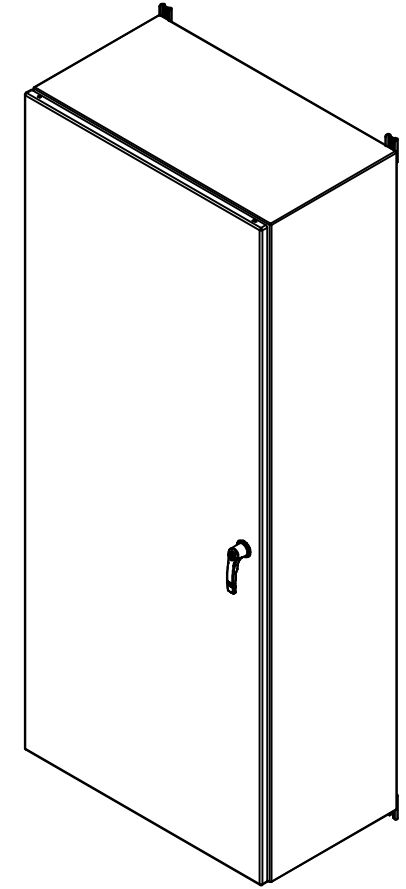
SEE BILL OF MATERIAL ON LAST PAGE

This drawing is confidential and must not be reproduced or used without the consent of EXM

Ce dessin est confidentiel et ne doit pas être reproduit ou utilisé sans le consentement de EXM

| NOTE |   |
|------|---|
| ITEM | DESCRIPTION                                     |
| 1    | NEMA 4X Enclosure (IP66)                        |
| 2    | C/W Standard ground studs on box and cover      |
| 3    | C/W Standard door stiffener                     |
| 4    | C/W Standard inner panel (Included)             |
| 5    | C/W Standard inner panel mounting studs         |
| 6    | C/W 880 PP included (Not installed)             |
| 7    | C/W 885 ESMF4_OPEN Sold separately (Installed)  |
| 8    | C/W 885 ESMF4_CLOSE Sold separately (Installed) |
| 9    | C/W R5 Insulation (Installed aluminum visible)  |

| No. | Revisions | Date | By/Par |
|-----|-----------|------|--------|
|     |           |      |        |
|     |           |      |        |
|     |           |      |        |
|     |           |      |        |
|     |           |      |        |



Isometric View



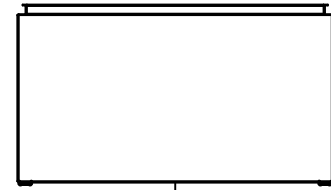
| PACKING               |     |  |
|-----------------------|-----|--|
| ITEM                  | QTY | DESCRIPTION                                    |
| Cardboard sleeve      | 2   | Top and Bottom                                 |
| Cardboard strip       | 2   | Between back of enclosure and inner panel      |
| Plastic bag           | 1   | To protect cover surface and inside gasket     |
| Cardboard corner      | 4   | To reinforced for the plastic strap tightening |
| Plastic strap - Black | 2   | To Squeeze the 2 cardboard sleeve together     |
| Packaging label       | 3   | White label with PN                            |
| Plastic strap- Green  | 2   | To secure the enclosure to the wood pallet     |
| Wood Pallet           | 1   | 2" deeper and 3" larger than enclosure size    |

|            |                  |     |  |
|------------|------------------|-----|--|
| 1          | 880 PP           | 6   | Self Adhesive Print Pocket   |
| 1          | STK-K-01800      | 5   | 5412 ES Accessory Kit  |
| 6          | STK-Q-00600      | 2   | M12 to M8 Adaptor  |
| 1          | 881 SP7230G      | 0   | 881 SP - Inner Panel   |
| 4          | STK-Q-04051-08   | 1   | M6 x 8mm Stainless Steel Hexagon Socket Head Machine Screw with Nyseal |
| 1          | 5412EAL723016THC | 0   | 5412EAL 72" x 30" Cover  |
| 1          | 5412EAL723016THB | 0   | 5412EAL 72" x 30" x 16" Body   |
| Qty        | Part Number      | Rev | Description  |
| Parts List |                  |     |  |

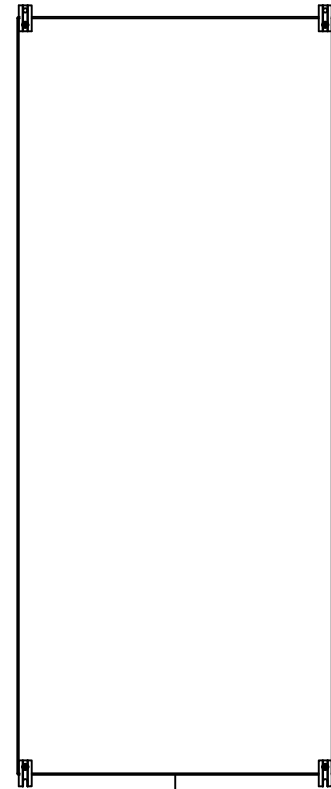
|   |                           |                       |
|---|---------------------------|-----------------------|
| <p>Tél: (450) 979-4373<br/>Fax: (450) 979-4626<br/><a href="http://www.exmweb.com">www.exmweb.com</a></p> | Flatness<br>Aplatissement | Max 3.0mm             |
|   | Projection                |                       |
| Customer<br>Client  | Date                      |                       |
| Drawn By<br>Dessiné Par   | BoxCad: BoxCad            | Date 28-Jan-26        |
| Material<br>Matière   | Aluminum 5052-H32 (2.3mm) |                       |
| Color<br>Couleur  | Asa-61 Grey               | Finish<br>Fini Smooth |
| Description   | Detail Rev.               |                       |
| 5412EAL 72" x 30" x 16" Assembly  |                           |                       |
| Part Number<br>Numéro Pièce   | Rev.                      | 2                     |
| <b>5412EAL723016TH</b>  | <b>0</b>                  | 16                    |

This drawing is confidential and must not be reproduced or used without the consent of EXM

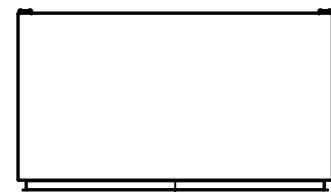
Ce dessin est confidentiel et ne doit pas être reproduit ou utilisé sans le consentement de EXM



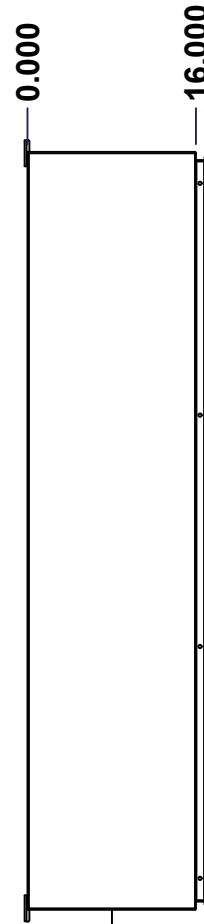
TOP



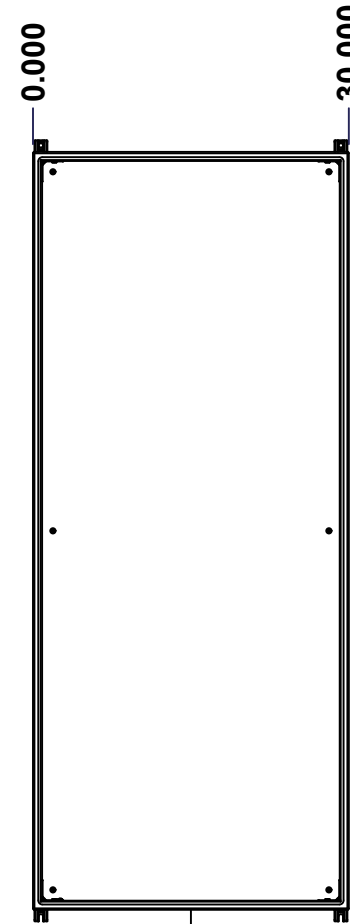
BACK



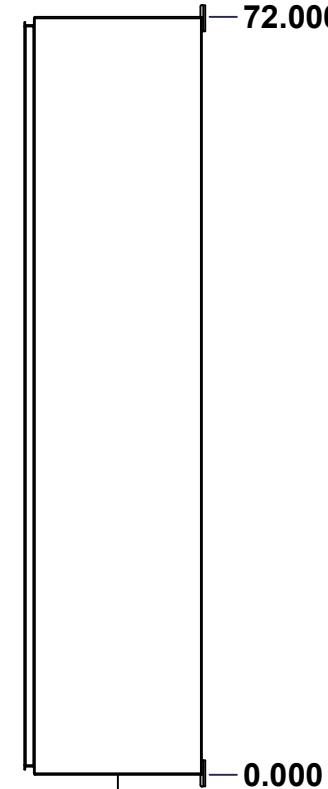
BOTTOM



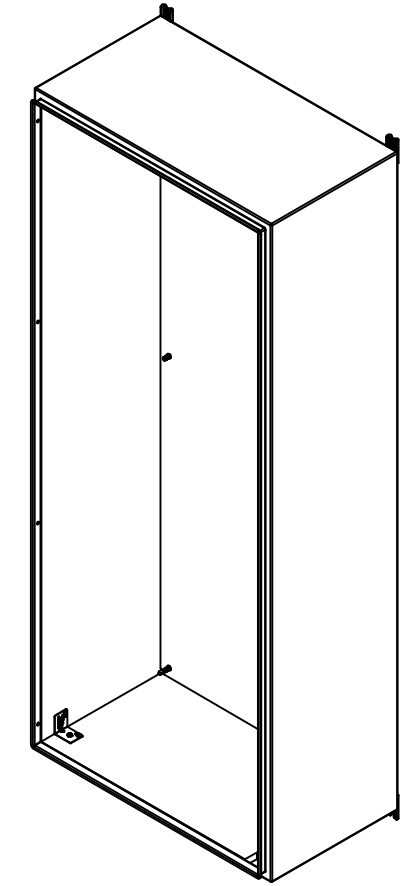
LEFT



FRONT




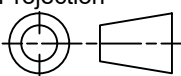
RIGHT



Isometric View



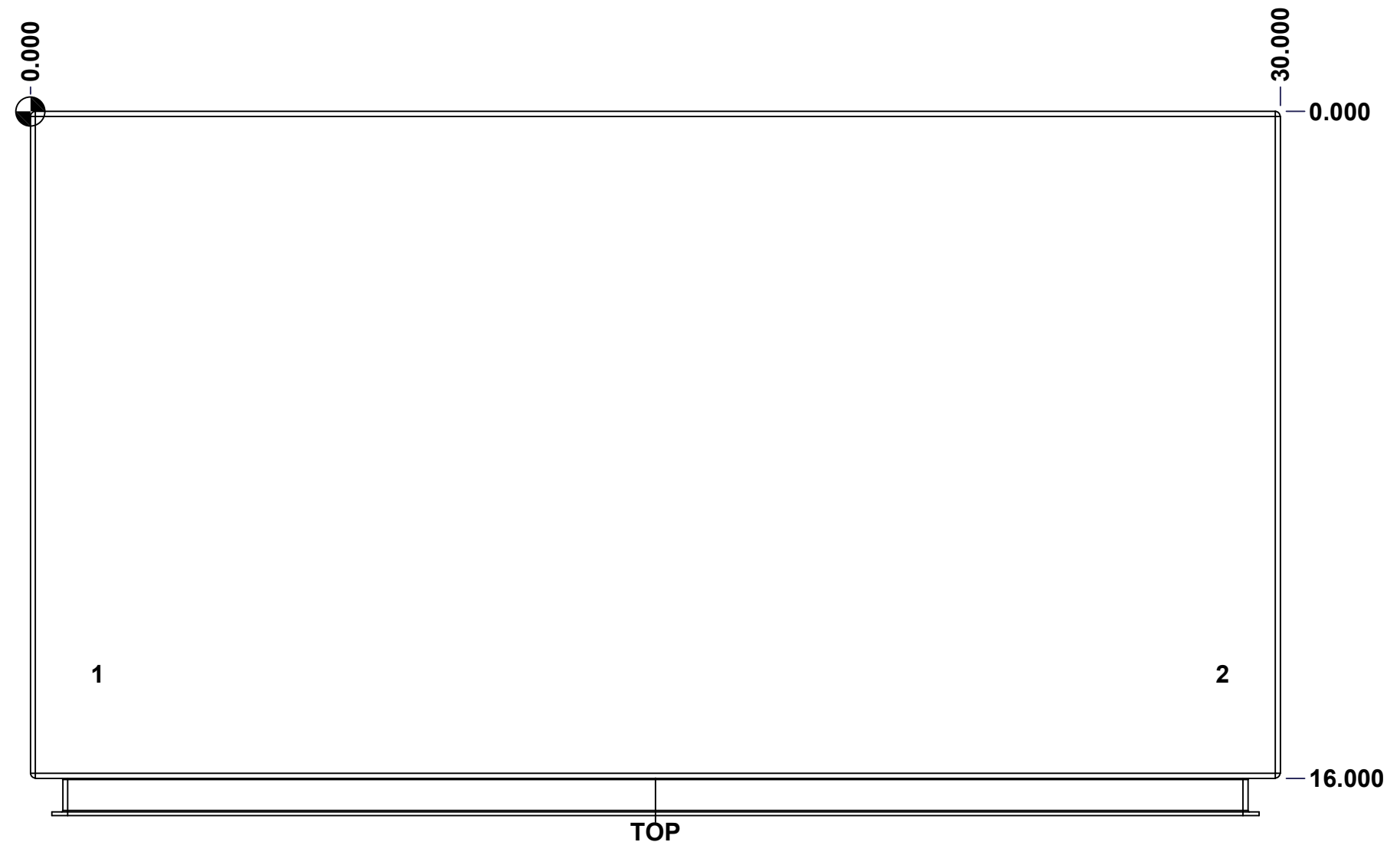
| No. | Revisions | Date | By/Par |
|-----|-----------|------|--------|
|     |           |      |        |
|     |           |      |        |
|     |           |      |        |
|     |           |      |        |

|  |                           |   |
|--|---------------------------|---|
|  Tél: (450) 979-4373<br>Fax: (450) 979-4626<br><a href="http://www.exmweb.com">www.exmweb.com</a> |                           | Flatness<br>Aplatissement<br>Max 3.0mm<br>Projection<br> |
| Customer Client  | Date                      |   |
| Drawn By<br>Dessiné Par  | BoxCad: BoxCad            | Date 28-Jan-26  |
| Material<br>Matière  | Aluminum 5052-H32 (2.3mm) |   |
| Color<br>Couleur   | Asa-61 Grey               | Finish<br>Fini Smooth   |
| Description  | Detail Rev.               |   |
| 5412EAL 72" x 30" x 16" Body   |                           |   |
| Part Number<br>Numéro Pièce  | Rev. 0                    | 3 / 16  |
| <b>SEE BILL OF MATERIAL ON LAST PAGE</b>   |                           |   |
| <b>5412EAL723016THB</b>  |                           |   |

This drawing is confidential and must not be reproduced or used without the consent of EXM

Ce dessin est confidentiel et ne doit pas être reproduit ou utilisé sans le consentement de EXM

| STANDARD FEATURES ARE NOT LISTED IN THIS HOLE TABLE |        |        |                                |
|---|--------|--------|--------------------------------|
| HOLE TABLE - TOP VIEW (CUSTOM FEATURE ONLY)         |        |        |                                |
| CUT-OUT   | XDIM   | YDIM   | DESCRIPTION                    |
| 1   | 1.500  | 13.500 | INSUL. STUD M6 x 18mm (Inside) |
| 2   | 28.500 | 13.500 | INSUL. STUD M6 x 18mm (Inside) |

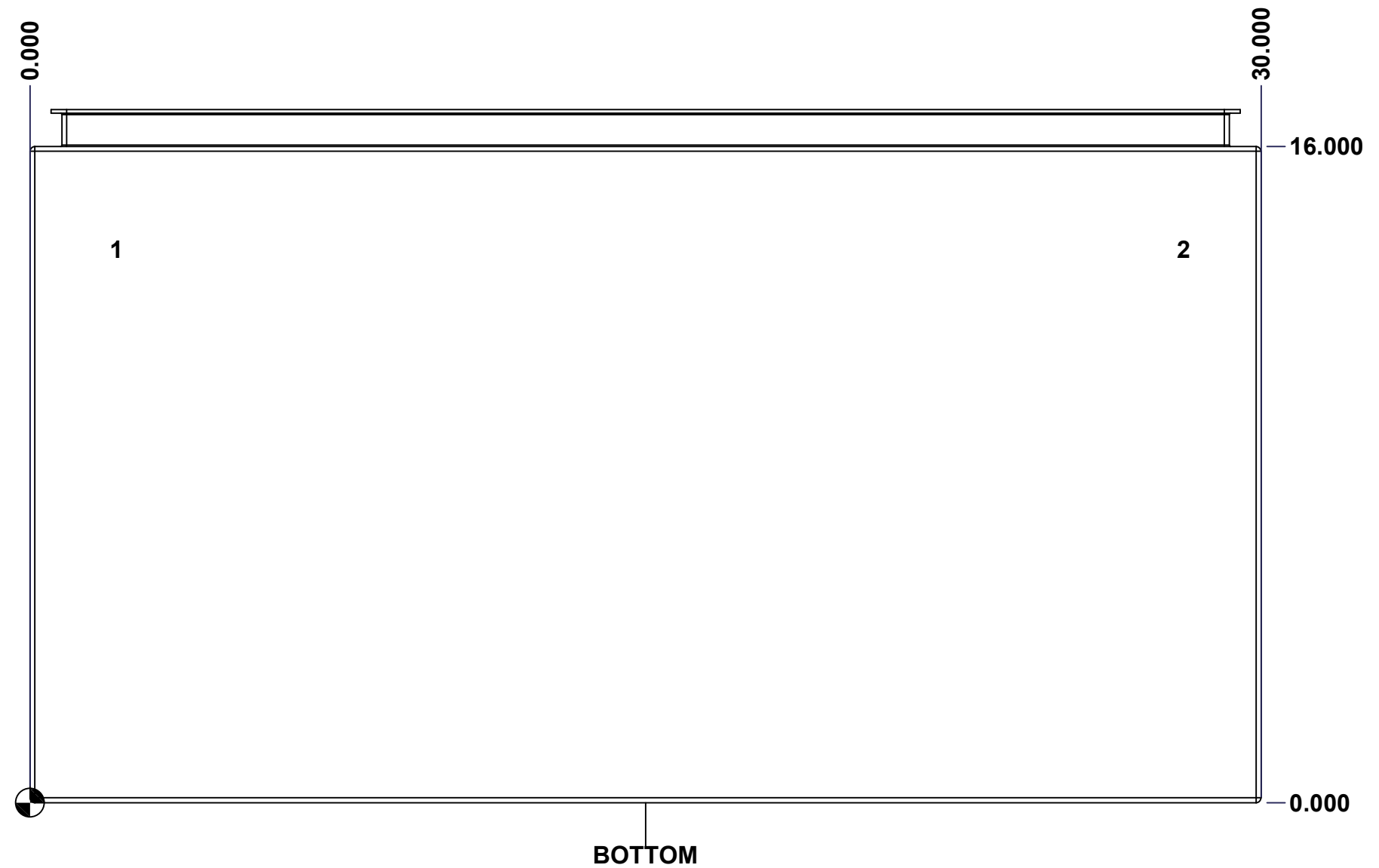


|  |                              |              |
|--|------------------------------|--------------|
|  | Description                  | Status       |
|  | 5412EAL 72" x 30" x 16" Body | (NULL)       |
|  | Part Number<br>Numéro Pièce  | Rev.         |
|  | <b>5412EAL723016THB</b>      | <b>0</b> / 4 |
|  |                              | 16           |

This drawing is confidential and must not be reproduced or used without the consent of EXM

Ce dessin est confidentiel et ne doit pas être reproduit ou utilisé sans le consentement de EXM

| <b>STANDARD FEATURES ARE NOT LISTED IN THIS HOLE TABLE</b> |        |        |                                |
|--|--------|--------|--------------------------------|
| <b>HOLE TABLE - BOTTOM VIEW (CUSTOM FEATURE ONLY)</b>      |        |        |                                |
| CUT-OUT  | XDIM   | YDIM   | DESCRIPTION                    |
| 1  | 2.000  | 13.500 | INSUL. STUD M6 x 18mm (Inside) |
| 2  | 28.000 | 13.500 | INSUL. STUD M6 x 18mm (Inside) |



|  |                              |        |
|--|------------------------------|--------|
|  | Description                  | Status |
|  | 5412EAL 72" x 30" x 16" Body | (NULL) |
| Part Number<br>Numéro Pièce<br><b>5412EAL723016THB</b> | Rev.                         | 5      |
|  | <b>0</b>                     | 16     |

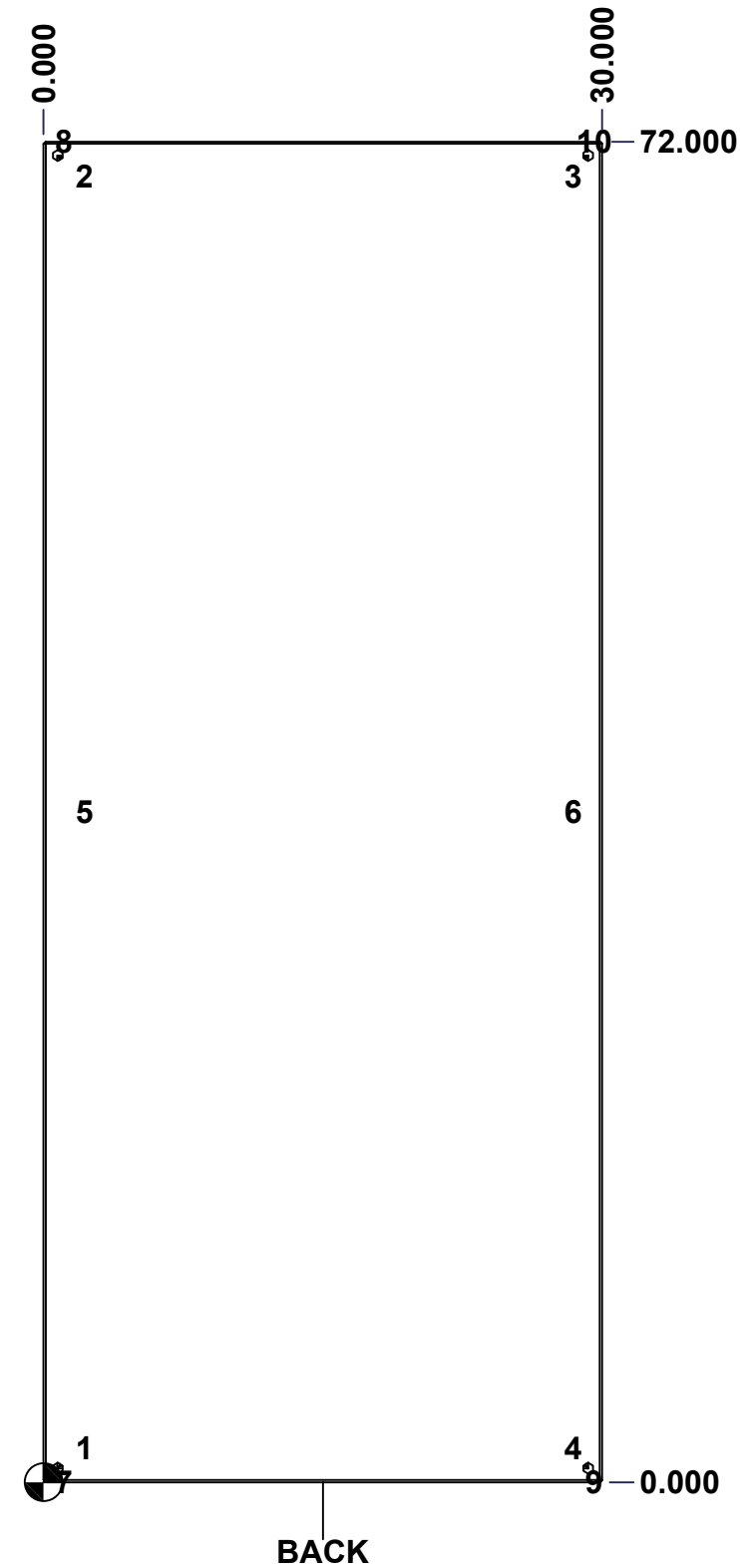
This drawing is confidential and must not be reproduced or used without the consent of EXM

Ce dessin est confidentiel et ne doit pas être reproduit ou utilisé sans le consentement de EXM

**STANDARD FEATURES ARE NOT LISTED IN THIS HOLE TABLE**

**HOLE TABLE - BACK VIEW (CUSTOM FEATURE ONLY)**

| CUT-OUT | XDIM   | YDIM   | DESCRIPTION                |
|---------|--------|--------|----------------------------|
| 1       | 1.875  | 1.875  | IP STUD M8 x 35mm (Inside) |
| 2       | 1.875  | 70.125 | IP STUD M8 x 35mm (Inside) |
| 3       | 28.125 | 70.125 | IP STUD M8 x 35mm (Inside) |
| 4       | 28.125 | 1.875  | IP STUD M8 x 35mm (Inside) |
| 5       | 1.875  | 36.000 | IP STUD M8 x 35mm (Inside) |
| 6       | 28.125 | 36.000 | IP STUD M8 x 35mm (Inside) |
| -----   |        |        |                            |
| 7       | 0.750  | 0.000  | FOOT 885 ESMF4_OPEN        |
| 8       | 0.750  | 72.000 | FOOT 885 ESMF4_CLOSE       |
| 9       | 29.250 | 0.000  | FOOT 885 ESMF4_OPEN        |
| 10      | 29.250 | 72.000 | FOOT 885 ESMF4_CLOSE       |

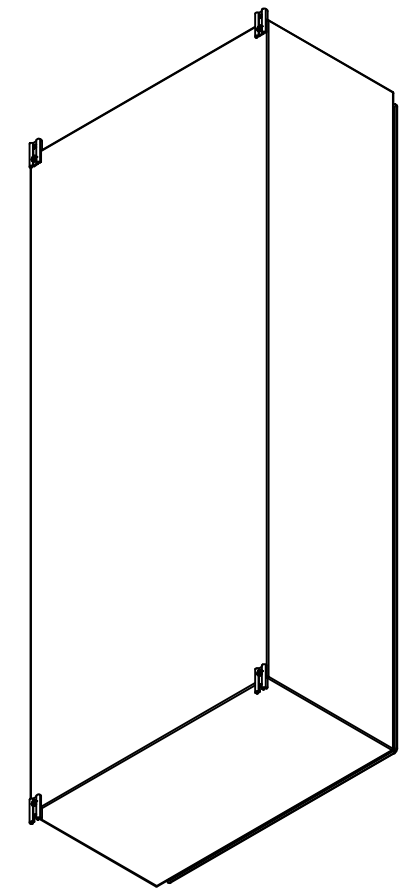


|  |                              |              |
|--|------------------------------|--------------|
|  | Description                  | Status       |
|  | 5412EAL 72" x 30" x 16" Body | (NULL)       |
|  | Part Number<br>Numéro Pièce  | Rev.         |
|  | <b>5412EAL723016THB</b>      | <b>0</b> / 6 |
|  |                              | 16           |

This drawing is confidential and must not be reproduced or used without the consent of EXM

Ce dessin est confidentiel et ne doit pas être reproduit ou utilisé sans le consentement de EXM


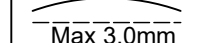
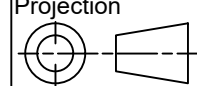
| No. | Revisions | Date | By/Par |
|-----|-----------|------|--------|
|     |           |      |        |
|     |           |      |        |
|     |           |      |        |
|     |           |      |        |
|     |           |      |        |



Isometric View

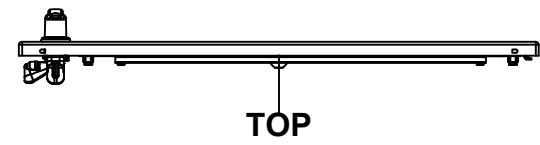


| 1          | 885 ESMF4                  | 0   | 885 ESMF4 Mounting Foot Kit                           |
|------------|----------------------------|-----|---|
| 1          | STK-K-70554                | 3   | 5412 ESTH Accessory Kit                               |
| 1          | 5412EAL723016THI-RS        | 0   | 5412EAL 72" x 30" Right Insulation                    |
| 1          | 5412EAL723016THI-LS        | 0   | 5412EAL 72" x 30" Left Insulation                     |
| 1          | 5412EAL723016THI-BT        | 0   | 5412EAL 72" x 30"Bottom Insulation                    |
| 1          | 5412EAL723016THI-TP        | 0   | 5412EAL 72" x 30"Top Insulation                       |
| 1          | 5412EAL723016THI-B         | 0   | 5412EAL 72" x 30" Back Insulation                     |
| 4          | STK-Q-16060                | 0   | Stud M6 x 18mm Aluminum                               |
| 4          | RIVET_NUT_SS_M10_FH<br>_CE | 0   | Stainless Steel Rivet Nut M10 (Low Profile Close End) |
| 1          | STK-P-02400S               | 0   | Powder Paint (Asa-61 Grey / Smooth)                   |
| 6          | STK-Q-16010                | 0   | Stud M8 x 35mm Aluminum                               |
| 1          | 5412EAL723016THB-P         | 0   | 5412EAL 72" x 30" x 16" Body Part                     |
| Qty        | Part Number                | Rev | Description   |
| Parts List |                            |     |   |

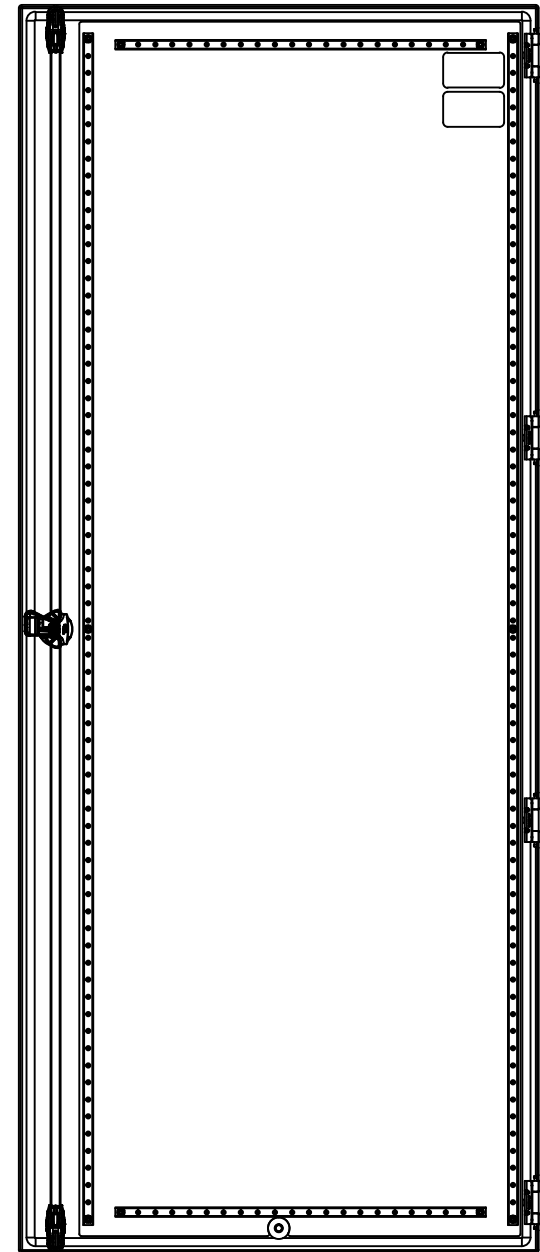
|  |                       |   |
|--|-----------------------|---|
|  Tél: (450) 979-4373<br>Fax: (450) 979-4626<br><a href="http://www.exmweb.com">www.exmweb.com</a> |                       | Flatness<br>Aplatissement<br><br>Max 3.0mm |
| Projection<br>  |                       | Customer<br>Client  |
| Drawn By<br>Dessiné Par BoxCad: BoxCad   |                       | Date 28-Jan-26  |
| Material<br>Matière Aluminum 5052-H32 (2.3mm)  |                       |   |
| Color<br>Couleur Asa-61 Grey   | Finish<br>Fini Smooth |   |
| Description<br>5412EAL 72" x 30" x 16" Body  |                       | Detail Rev.   |
| Part Number<br>Numéro Pièce<br><b>5412EAL723016THB</b>   |                       | Rev. 7<br><b>0</b>  |

This drawing is confidential and must not be reproduced or used without the consent of EXM

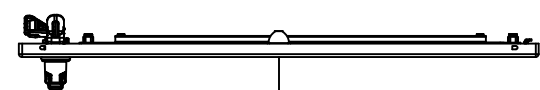
Ce dessin est confidentiel et ne doit pas être reproduit ou utilisé sans le consentement de EXM



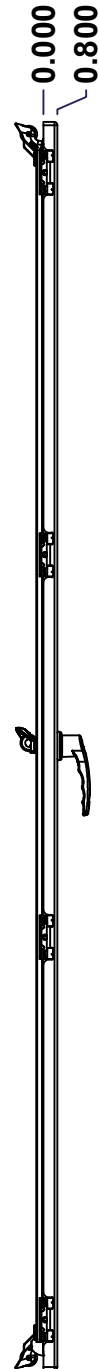
TOP



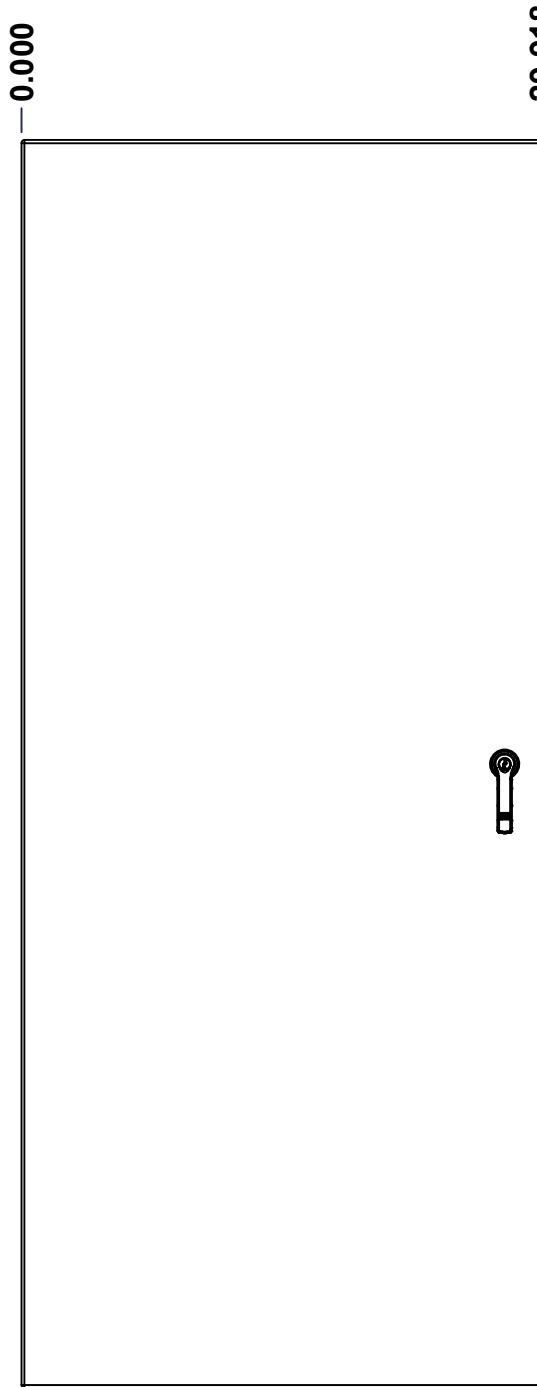
BACK



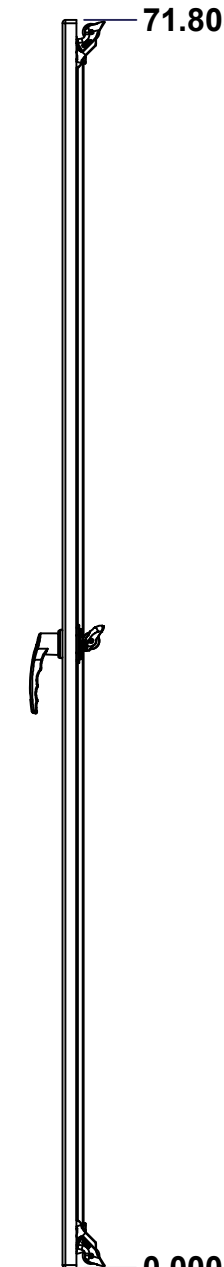
BOTTOM



LEFT



FRONT



RIGHT

0.000  
0.800

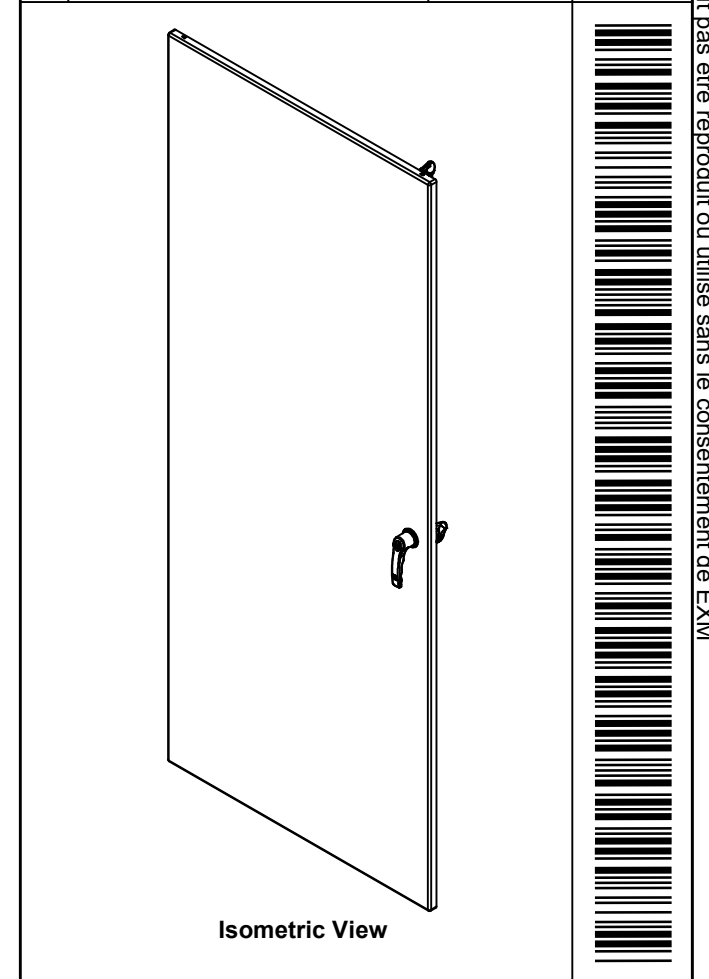
0.000

29.918


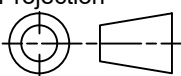
71.803

0.000

| No. | Revisions | Date | By/Par |
|-----|-----------|------|--------|
|     |           |      |        |
|     |           |      |        |
|     |           |      |        |
|     |           |      |        |



Isometric View

|  |                           |   |
|--|---------------------------|---|
|  Tél: (450) 979-4373<br>Fax: (450) 979-4626<br><a href="http://www.exmweb.com">www.exmweb.com</a> |                           | Flatness<br>Aplatissement<br>Max 3.0mm<br>Projection<br> |
| Customer Client  | Date                      |   |
| Drawn By<br>Dessiné Par  | BoxCad: BoxCad            | Date 28-Jan-26  |
| Material<br>Matière  | Aluminum 5052-H32 (2.3mm) |   |
| Color<br>Couleur   | Asa-61 Grey               | Finish<br>Fini Smooth   |
| Description  | Detail Rev.               |   |
| 5412EAL 72" x 30" Cover  |                           |   |
| Part Number<br>Numéro Pièce  | Rev.                      | 8   |
| <b>5412EAL723016THC</b>  | <b>0</b>                  | 16  |

SEE BILL OF MATERIAL ON LAST PAGE

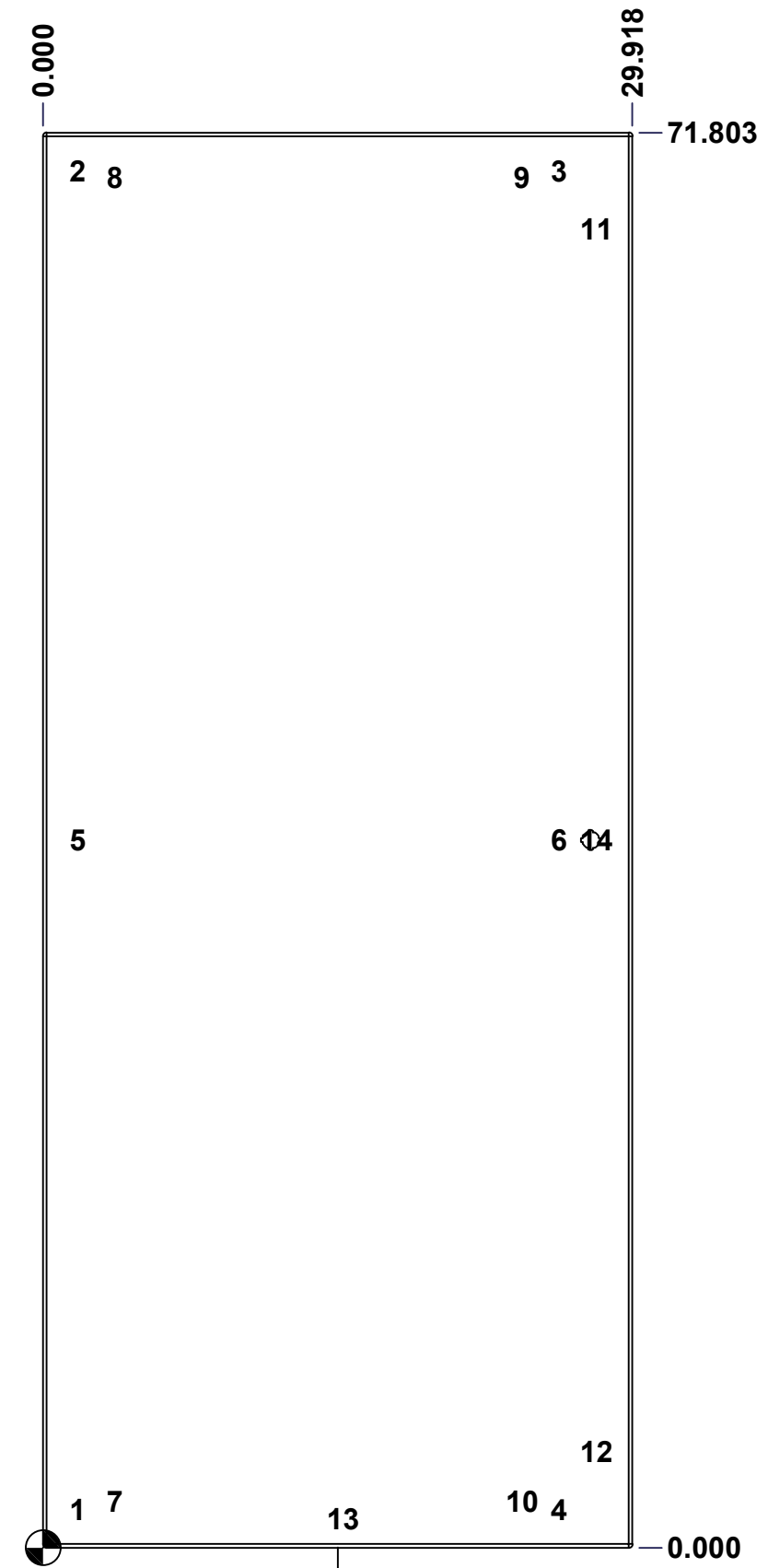
This drawing is confidential and must not be reproduced or used without the consent of EXM

Ce dessin est confidentiel et ne doit pas être reproduit ou utilisé sans le consentement de EXM

**STANDARD FEATURES ARE NOT LISTED IN THIS HOLE TABLE**

**HOLE TABLE - FRONT VIEW (CUSTOM FEATURE ONLY)**

| CUT-OUT | XDIM   | YDIM   | DESCRIPTION               |
|---------|--------|--------|---------------------------|
| 1       | 1.486  | 1.945  | STUD M6 x 18mm (Inside)   |
| 2       | 1.486  | 69.858 | STUD M6 x 18mm (Inside)   |
| 3       | 25.923 | 69.858 | STUD M6 x 18mm (Inside)   |
| 4       | 25.923 | 1.945  | STUD M6 x 18mm (Inside)   |
| 5       | 1.486  | 35.902 | STUD M6 x 18mm (Inside)   |
| 6       | 25.923 | 35.902 | STUD M6 x 18mm (Inside)   |
| 7       | 3.370  | 2.350  | STUD M6 x 18mm (Inside)   |
| 8       | 3.370  | 69.524 | STUD M6 x 18mm (Inside)   |
| 9       | 24.039 | 69.524 | STUD M6 x 18mm (Inside)   |
| 10      | 24.039 | 2.350  | STUD M6 x 18mm (Inside)   |
| 11      | 27.803 | 66.896 | CLOSING BAR STUD (Inside) |
| 12      | 27.803 | 4.907  | CLOSING BAR STUD (Inside) |
| 13      | 14.959 | 1.435  | STUD M6 x 18mm (Inside)   |
| -----   |        |        |                           |
| 14      | 27.803 | 35.902 | HANDLE 885 ESL2A @ 0.0°   |

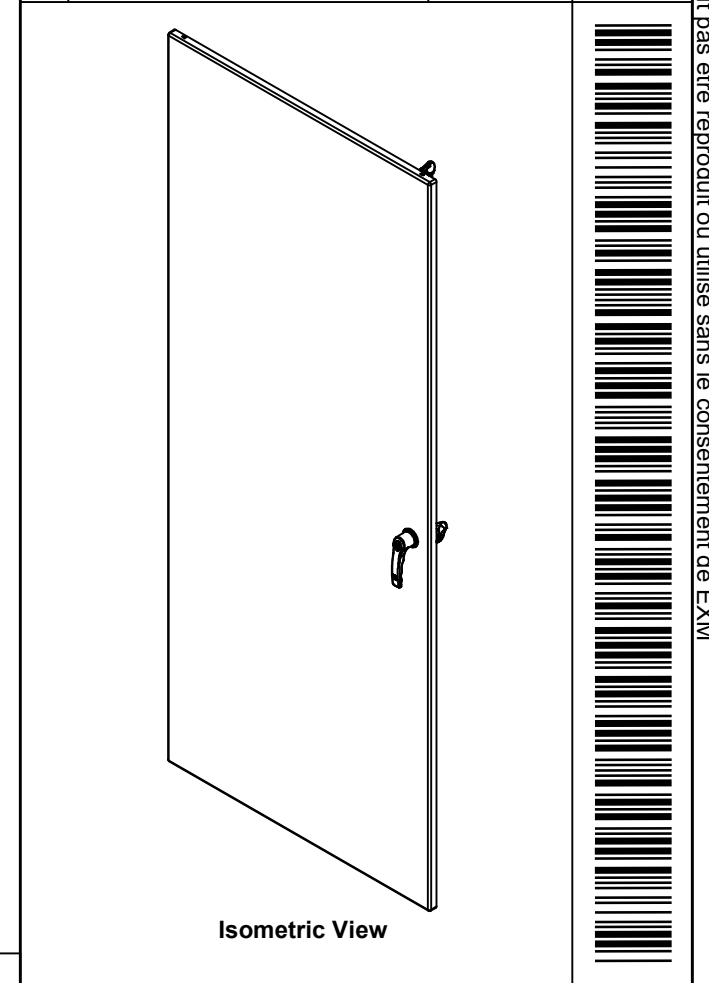


|  |                             |              |
|--|-----------------------------|--------------|
|  | Description                 | Status       |
|  | 5412EAL 72" x 30" Cover     | (NULL)       |
|  | Part Number<br>Numéro Pièce | Rev.         |
|  | <b>5412EAL723016THC</b>     | <b>0</b> / 9 |
|  |                             | 16           |

This drawing is confidential and must not be reproduced or used without the consent of EXM


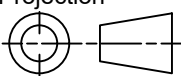
Ce dessin est confidentiel et ne doit pas être reproduit ou utilisé sans le consentement de EXM

| No. | Revisions | Date | By/Par |
|-----|-----------|------|--------|
|     |           |      |        |
|     |           |      |        |
|     |           |      |        |
|     |           |      |        |
|     |           |      |        |



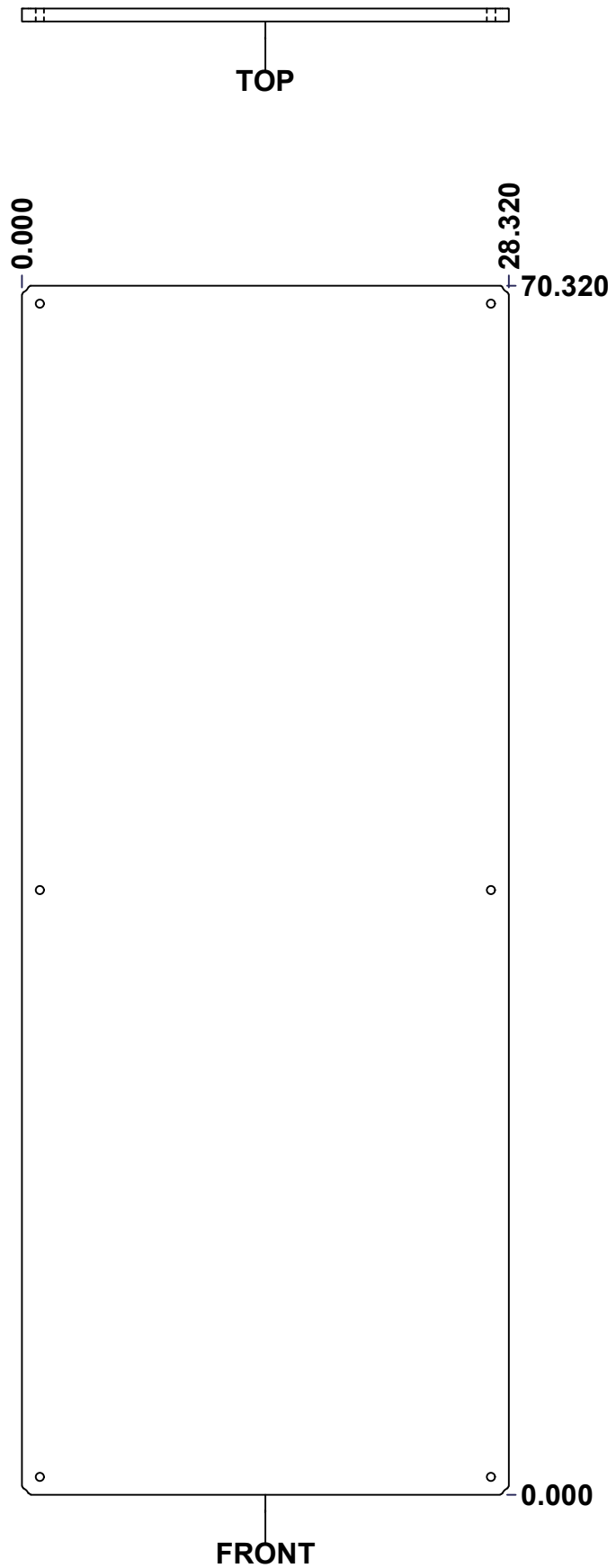
|    |                    |    |   |
|----|--------------------|----|---|
| 2  | STK-Q-46020-24     | 5  | 5412 ES Vertical Door Stiffener 24"                 |
| 10 | STK-Q-07250        | 2  | M6 x 16mm Collar Nut                                |
| 2  | STK-Q-46020-72     | 5  | 5412 ES Vertical Door Stiffener 72"                 |
| 2  | STK-S-00100        | 0  | 3.5" x 2" Silver Milar Flexcon Sticker              |
| 1  | 5412EAL723016THI-C | 0  | 5412EAL 72" x 30" Cover Insulation                  |
| 2  | STK-A-90042        | 5  | 5412 ES Cabinet Closing Bar End Assembly            |
| 2  | STK-Q-45655-72     | 0  | 5412 ES - Closing Bar                               |
| 1  | STK-A-50536        | 15 | 5412 ES Handle Cam Assembly (Right Side, Grip 32mm) |
| 1  | STK-Q-90051        | 3  | 5412 ES - Handle Cam Spacer                         |
| 1  | 885 ESL2A          | 4  | 5412 ES Key Lock L-Handle (3 Pts)                   |
| 1  | STK-P-02400S       | 0  | Powder Paint (Asa-61 Grey / Smooth)                 |
| 1  | STK-Q-46515        | 3  | 5412 ES Door Support with Brass Insert              |
| 11 | STK-Q-16060        | 0  | Stud M6 x 18mm Aluminum                             |
| 2  | STK-Q-16406        | 2  | Guide Stud - Small (No Paint Cap Required)          |
| 4  | STK-A-33016        | 2  | 5412 ESS Bended Hinge (Body Part)                   |
| 1  | 5412EAL723016THG   | 0  | 5412EAL 72" x 30" Cover Gasket Part                 |
| 1  | 5412EAL723016THC-P | 0  | 5412EAL 72" x 30" Cover Part                        |

| QTY        | Part Number | Rev | Description |
|------------|-------------|-----|-------------|
| Parts List |             |     |             |

|  |                           |   |
|--|---------------------------|---|
|  Tél: (450) 979-4373<br>Fax: (450) 979-4626<br><a href="http://www.exmweb.com">www.exmweb.com</a> | Flatness<br>Aplatissement | Max 3.0mm   |
|  | Projection                |  |
| Customer<br>Client   | Date                      |   |
| Drawn By<br>Dessiné Par  | BoxCad: BoxCad            | Date 28-Jan-26  |
| Material<br>Matière  | Aluminum 5052-H32 (2.3mm) |   |
| Color<br>Couleur   | Asa-61 Grey               | Finish<br>Fini Smooth   |
| Description  | Detail Rev.               |   |
| 5412EAL 72" x 30" Cover  |                           |   |
| Part Number<br>Numéro Pièce  | Rev.                      | 10  |
| <b>5412EAL723016THC</b>  | <b>0</b>                  | 16  |

This drawing is confidential and must not be reproduced or used without the consent of EXM

Ce dessin est confidentiel et ne doit pas être reproduit ou utilisé sans le consentement de EXM



0.000  
0.750

| No. | Revisions | Date | By/Par |
|-----|-----------|------|--------|
|     |           |      |        |
|     |           |      |        |
|     |           |      |        |
|     |           |      |        |

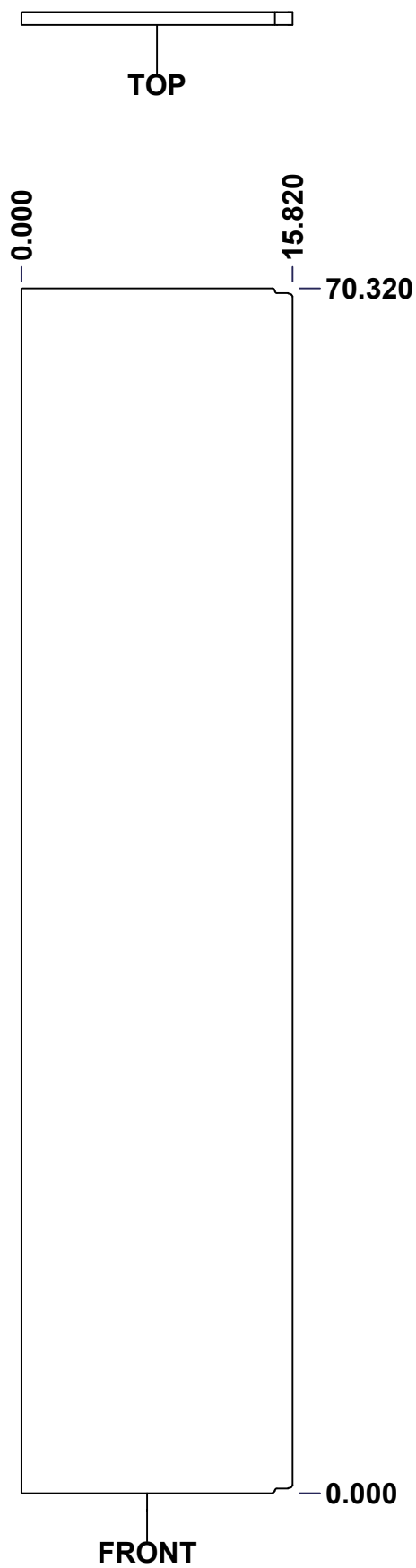
**Isometric View**

|   |                           |                           |
|---|---------------------------|---------------------------|
| <p>Tél: (450) 979-4373<br/>Fax: (450) 979-4626<br/><a href="http://www.exmweb.com">www.exmweb.com</a></p> |                           | Flatness<br>Aplatissement |
|   |                           | Max 3.0mm                 |
| Projection  |                           |                           |
| Customer<br>Client  | Date                      |                           |
| Drawn By<br>Dessiné Par   | BoxCad: Patrick Deschenes | Date 23-Jan-07            |
| Material<br>Matière   | Polyisocyanurate          |                           |
| Color<br>Couleur  | Aluminum                  | Finish<br>Fini N/A        |
| Description   | Detail Rev.               |                           |
| 5412EAL 72" x 30" Back Insulation   |                           |                           |
| Part Number<br>Numéro Pièce   | Rev.                      | 11                        |
| <b>5412EAL723016THI-B</b>   | <b>0</b>                  | 16                        |

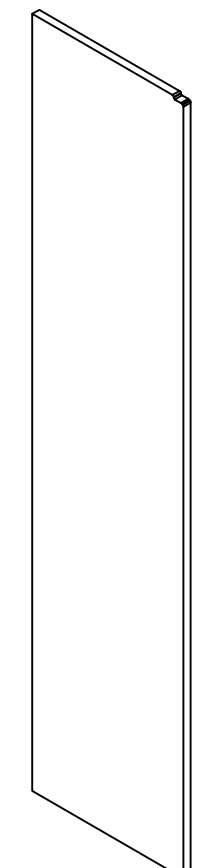
**SEE BILL OF MATERIAL ON LAST PAGE**

This drawing is confidential and must not be reproduced or used without the consent of EXM

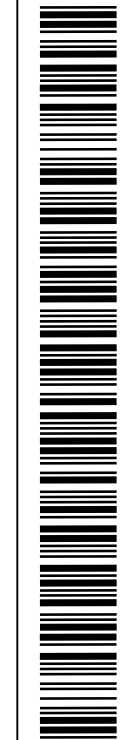
Ce dessin est confidentiel et ne doit pas être reproduit ou utilisé sans le consentement de EXM


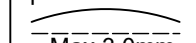
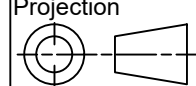


| No. | Revisions | Date | By/Par |
|-----|-----------|------|--------|
|     |           |      |        |
|     |           |      |        |
|     |           |      |        |
|     |           |      |        |
|     |           |      |        |



**Isometric View**

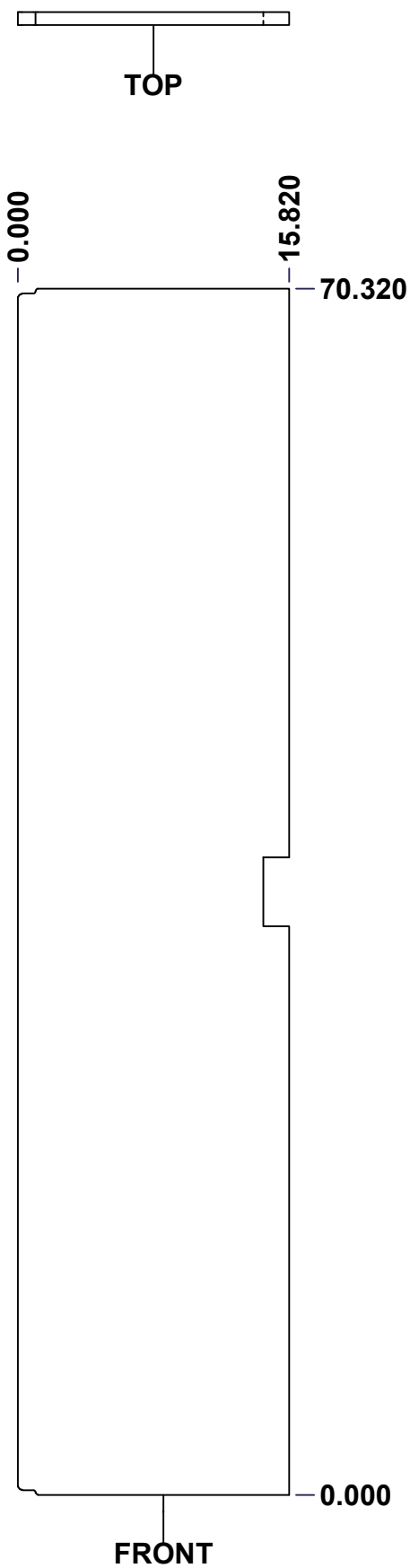


|  |  |  |             |
|--|--|--|-------------|
|  Tél: (450) 979-4373<br>Fax: (450) 979-4626<br><a href="http://www.exmweb.com">www.exmweb.com</a> |  | Flatness<br>Aplatissement<br> Max 3.0mm |             |
|  |  | Projection<br>                          |             |
| Customer Client  |  | Date   |             |
| Drawn By<br>Dessiné Par BoxCad: Patrick Deschenes  |  | Date 23-Jan-07   |             |
| Material Matière Polyisocyanurate  |  |  |             |
| Color Couleur Aluminum   |  | Finish Fini N/A  |             |
| Description 5412EAL 72" x 30" Left Insulation  |  |  | Detail Rev. |
| Part Number Numéro Pièce 5412EAL723016THI-LS   |  | Rev. 0   | 12 / 16     |

SEE BILL OF MATERIAL ON LAST PAGE

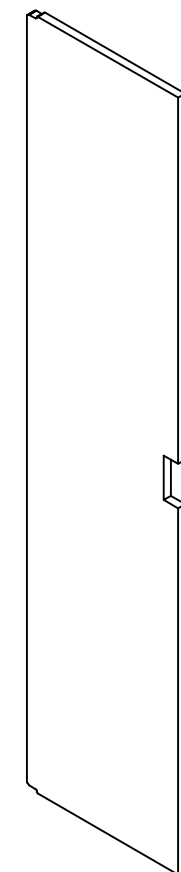
This drawing is confidential and must not be reproduced or used without the consent of EXM

Ce dessin est confidentiel et ne doit pas être reproduit ou utilisé sans le consentement de EXM



0.000  
0.750

| No. | Revisions | Date | By/Par |
|-----|-----------|------|--------|
|     |           |      |        |
|     |           |      |        |
|     |           |      |        |
|     |           |      |        |



Isometric View



Tél: (450) 979-4373  
Fax: (450) 979-4626  
[www.exmweb.com](http://www.exmweb.com)

Flatness  
Aplatissement  
Max 3.0mm  
Projection

|   |                 |
|---|-----------------|
| Customer Client                                   | Date            |
| Drawn By / Dessiné Par: BoxCad: Patrick Deschenes | Date: 23-Jan-07 |
| Material / Matière: Polyisocyanurate              |                 |

|                           |                    |
|---------------------------|--------------------|
| Color / Couleur: Aluminum | Finish / Fini: N/A |
|---------------------------|--------------------|

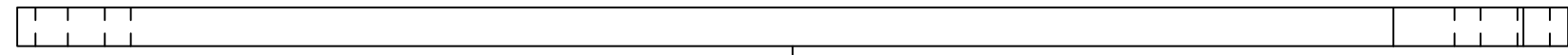
|   |             |
|---|-------------|
| Description: 5412EAL 72" x 30" Right Insulation | Detail Rev. |
|---|-------------|

|   |        |         |
|---|--------|---------|
| Part Number / Numéro Pièce: 5412EAL723016THI-RS | Rev. 0 | 13 / 16 |
|---|--------|---------|

SEE BILL OF MATERIAL ON LAST PAGE

This drawing is confidential and must not be reproduced or used without the consent of EXM

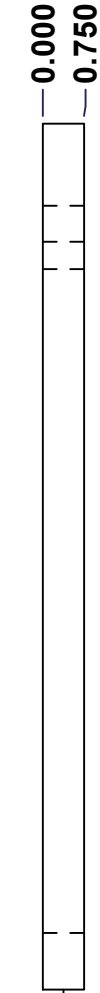
Ce dessin est confidentiel et ne doit pas être reproduit ou utilisé sans le consentement de EXM



TOP

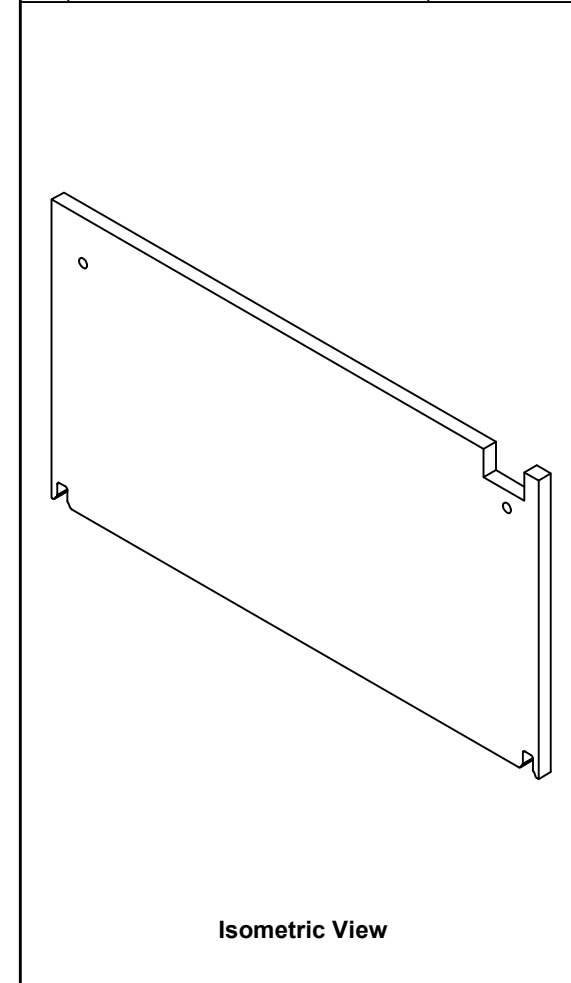


FRONT




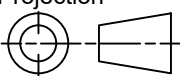
RIGHT

| No. | Revisions | Date | By/Par |
|-----|-----------|------|--------|
|     |           |      |        |
|     |           |      |        |
|     |           |      |        |
|     |           |      |        |
|     |           |      |        |



Isometric View

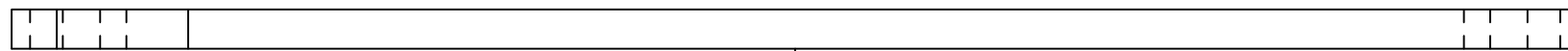


|  |                  |   |
|--|------------------|---|
|  Tél: (450) 979-4373<br>Fax: (450) 979-4626<br><a href="http://www.exmweb.com">www.exmweb.com</a> |                  | Flatness<br>Aplatissement<br>Max 3.0mm<br>Projection<br> |
| Customer Client  | Date             |   |
| Drawn By<br>Dessiné Par  | BoxCad: BoxCad   | Date 4/3/2024   |
| Material<br>Matière  | Polyisocyanurate |   |
| Color<br>Couleur   | Aluminum         | Finish<br>Fini Smooth   |
| Description  | Detail Rev.      |   |
| 5412EAL 72" x 30"Top Insulation  |                  |   |
| Part Number<br>Numéro Pièce  | Rev.             | 14  |
| 5412EAL723016THI-TP  | 0                | 16  |

SEE BILL OF MATERIAL ON LAST PAGE

This drawing is confidential and must not be reproduced or used without the consent of EXM

Ce dessin est confidentiel et ne doit pas être reproduit ou utilisé sans le consentement de EXM



TOP

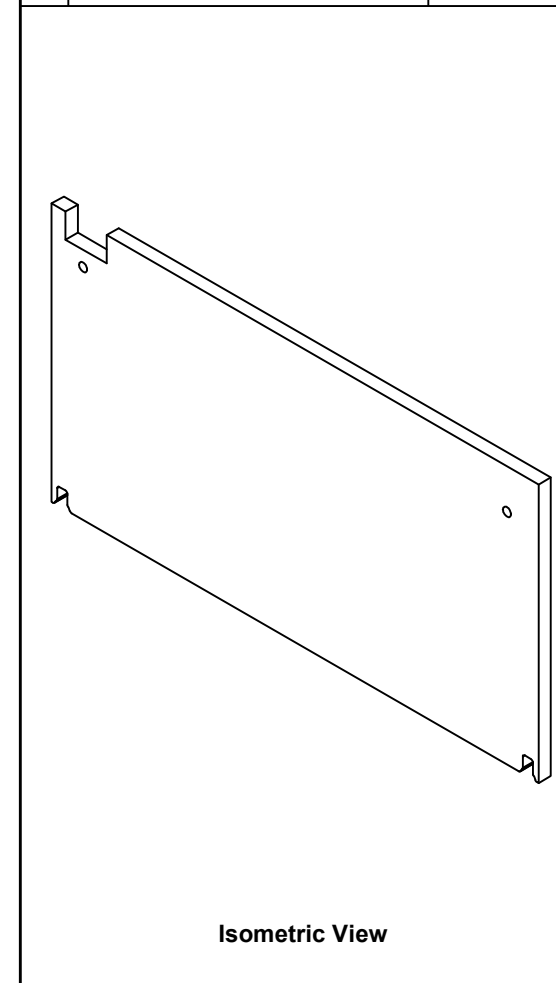


FRONT




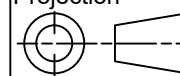
RIGHT

| No. | Revisions | Date | By/Par |
|-----|-----------|------|--------|
|     |           |      |        |
|     |           |      |        |
|     |           |      |        |
|     |           |      |        |



Isometric View

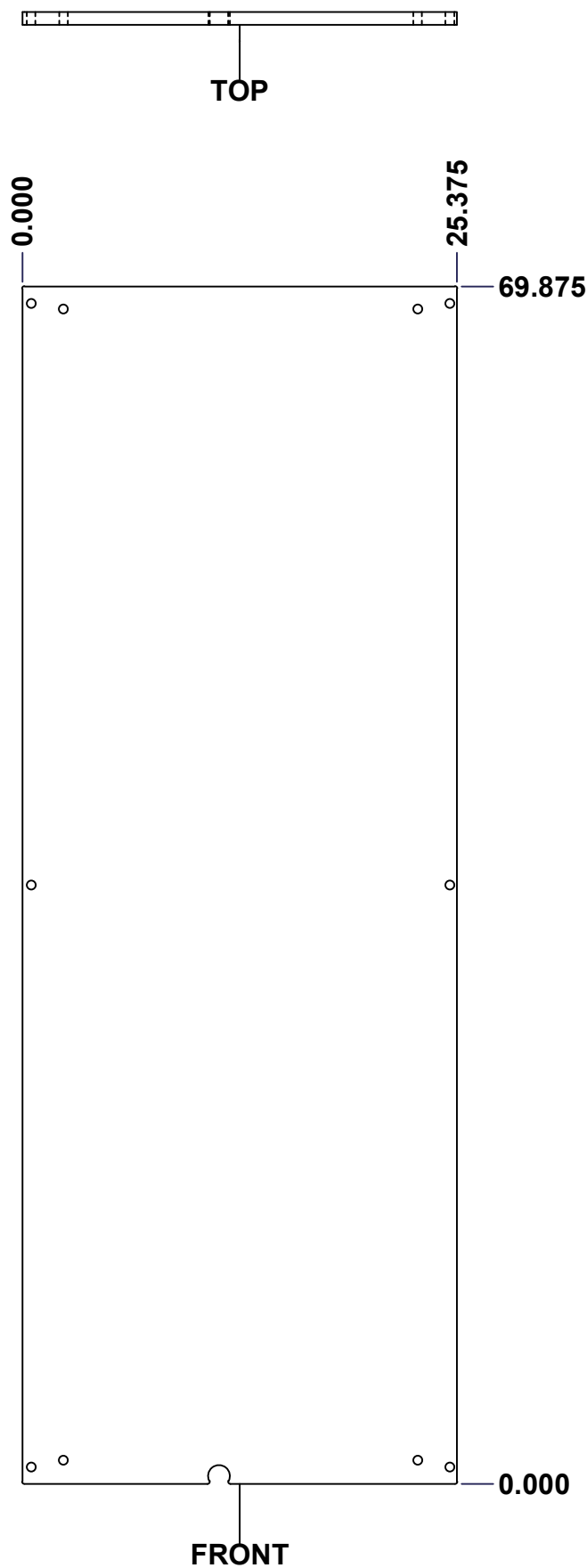


|  |                  |   |
|--|------------------|---|
|  Tél: (450) 979-4373<br>Fax: (450) 979-4626<br><a href="http://www.exmweb.com">www.exmweb.com</a> |                  | Flatness<br>Aplatissement<br>Max 3.0mm<br>Projection<br> |
| Customer Client  | Date             |   |
| Drawn By<br>Dessiné Par  | BoxCad: BoxCad   | Date 4/3/2024   |
| Material<br>Matière  | Polyisocyanurate |   |
| Color<br>Couleur   | Aluminum         | Finish<br>Fini Smooth   |
| Description  | Detail Rev.      |   |
| 5412EAL 72" x 30"Bottom Insulation   |                  |   |
| Part Number<br>Numéro Pièce  | Rev.             | 15  |
| <b>5412EAL723016THI-BT</b>   | <b>0</b>         | 16  |

SEE BILL OF MATERIAL ON LAST PAGE

This drawing is confidential and must not be reproduced or used without the consent of EXM

Ce dessin est confidentiel et ne doit pas être reproduit ou utilisé sans le consentement de EXM



| No. | Revisions | Date | By/Par |
|-----|-----------|------|--------|
|     |           |      |        |
|     |           |      |        |
|     |           |      |        |
|     |           |      |        |

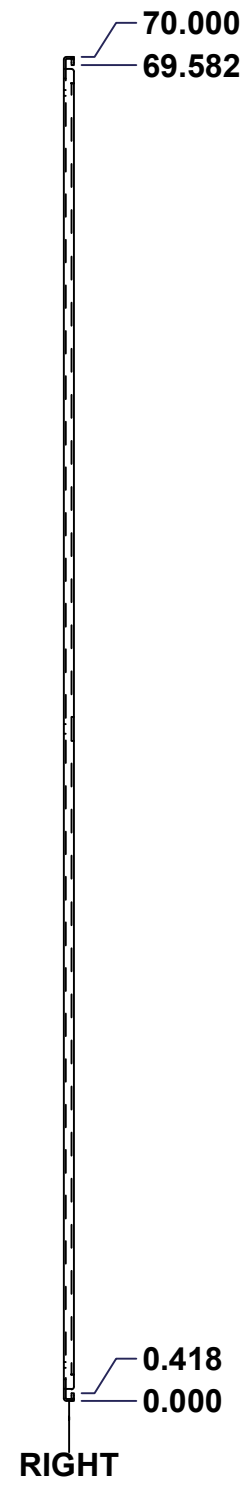
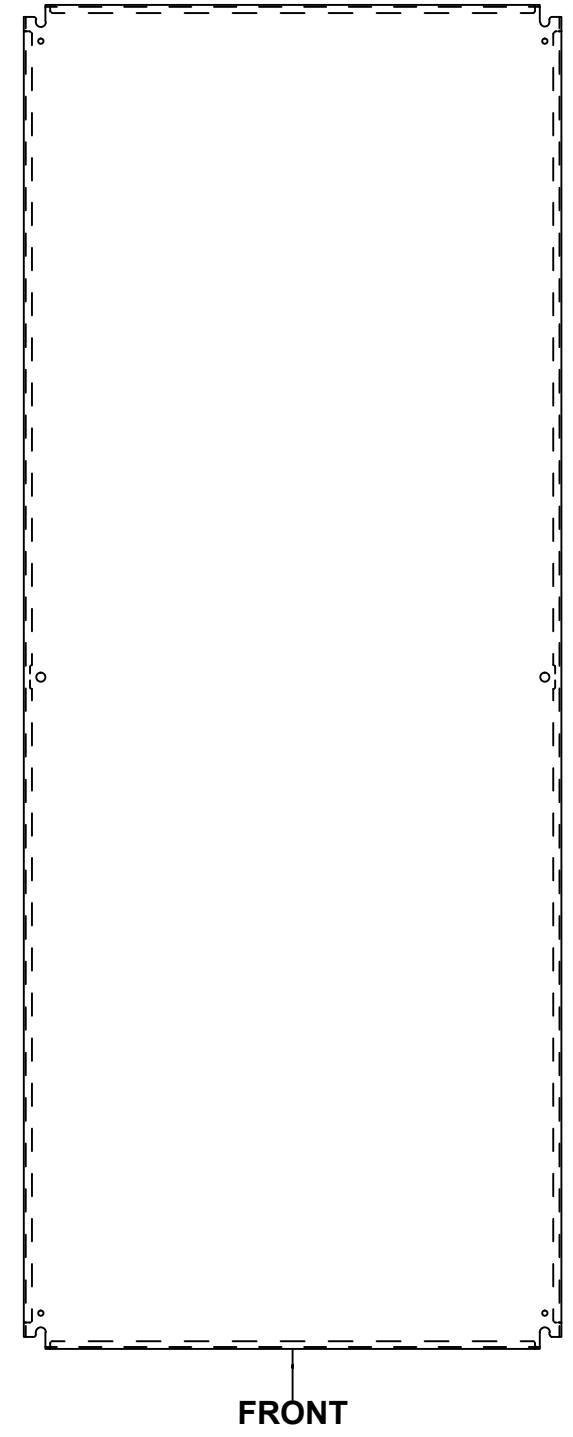
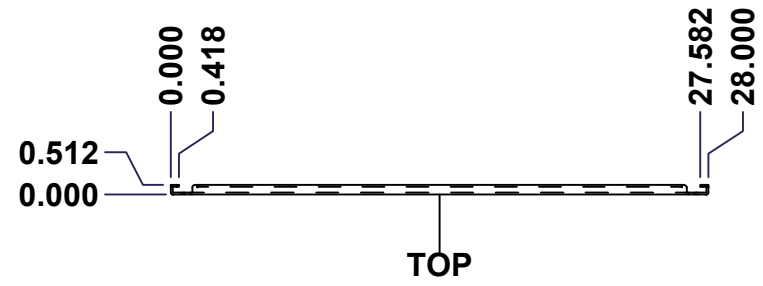
**Isometric View**

|   |                           |                           |
|---|---------------------------|---------------------------|
| <p>Tél: (450) 979-4373<br/>Fax: (450) 979-4626<br/><a href="http://www.exmweb.com">www.exmweb.com</a></p> |                           | Flatness<br>Aplatissement |
|   |                           | Max 3.0mm                 |
| Projection  |                           |                           |
| Customer Client   | Date                      |                           |
| Drawn By<br>Dessiné Par   | BoxCad: Patrick Deschenes | Date 23-Jan-07            |
| Material<br>Matière   | Polyisocyanurate          |                           |
| Color<br>Couleur  | Aluminum                  | Finish<br>Fini N/A        |
| Description   | Detail Rev.               |                           |
| 5412EAL 72" x 30" Cover Insulation  |                           |                           |
| Part Number<br>Numéro Pièce   | Rev.                      | 16                        |
| <b>5412EAL723016THI-C</b>   | <b>0</b>                  | 16                        |

**SEE BILL OF MATERIAL ON LAST PAGE**

This drawing is confidential and must not be reproduced or used without the consent of EXM

Ce dessin est confidentiel et ne doit pas être reproduit ou utilisé sans le consentement de EXM



| No. | Revisions | Date | By/Par |
|-----|-----------|------|--------|
|     |           |      |        |
|     |           |      |        |
|     |           |      |        |
|     |           |      |        |
|     |           |      |        |

Isometric View

|  |                 |  |
|--|-----------------|--|
| Tél: (450) 979-4373<br>Fax: (450) 979-4626<br>www.exmweb.com |                 | Flatness<br>Aplatissement<br>Max 3.0mm<br>Projection<br> |
| Customer Client  | Date            |  |
| Drawn By / Dessiné Par: BoxCad                               | Date: 23-Jan-07 |  |
| Material / Matière   | See Part List   |  |
| Color / Couleur  | See Part List   | Finish / Fini: See Part List                             |
| Description: 881 SP - Inner Panel                            |                 | Detail Rev.  |
| Part Number / Numéro Pièce: 881 SP7230G                      | Rev.: 0         | 1/2  |

| Qty | Part Number   | Rev | Description               | Material         | Color     | Finish     |
|-----|---------------|-----|---------------------------|------------------|-----------|------------|
| 1   | 881 SP7230G-P | 0   | 881 SP - Inner Panel Part | 12 Ga Galvanized | Unpainted | Galvanized |

Parts List

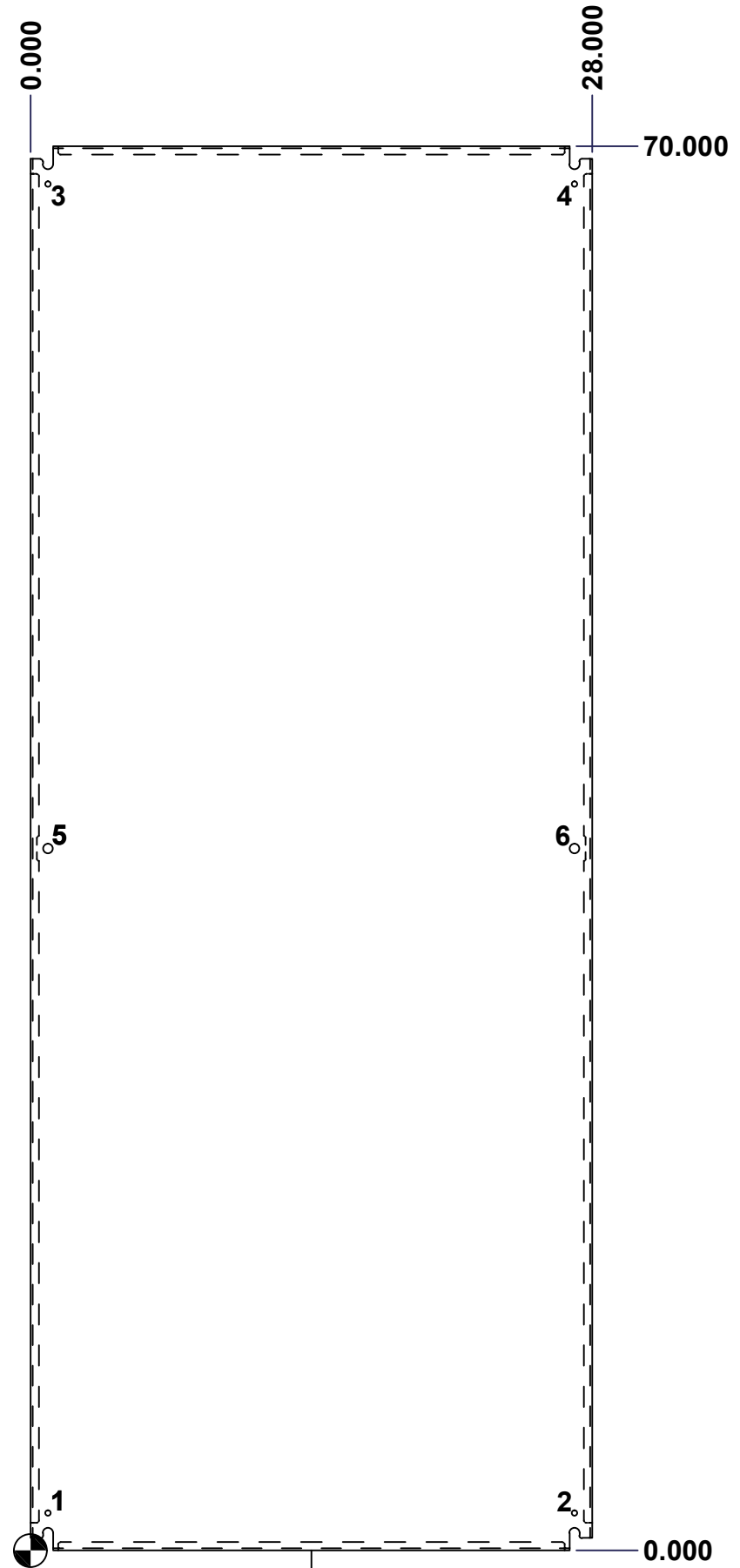
This drawing is confidential and must not be reproduced or used without the consent of EXM

Ce dessin est confidentiel et ne doit pas être reproduit ou utilisé sans le consentement de EXM

| Table 1 |        |        | FRONT VIEW                 |
|---------|--------|--------|----------------------------|
| CUT-OUT | XDIM   | YDIM   | DESCRIPTION                |
| 1       | 0.875  | 1.875  | GROUND HOLE (RND Ø0.290)   |
| 2       | 27.125 | 1.875  | GROUND HOLE (RND Ø0.290)   |
| 3       | 0.875  | 68.125 | GROUND HOLE (RND Ø0.290)   |
| 4       | 27.125 | 68.125 | GROUND HOLE (RND Ø0.290)   |
| 5       | 0.875  | 35.000 | MTG STUD HOLE (RND Ø0.500) |
| 6       | 27.125 | 35.000 | MTG STUD HOLE (RND Ø0.500) |

All knockouts are actual size / Les disques défonçables sont grandeur réel

| No. | Revisions | Date | By/Par |
|-----|-----------|------|--------|
|     |           |      |        |
|     |           |      |        |
|     |           |      |        |
|     |           |      |        |
|     |           |      |        |
|     |           |      |        |



FRONT

Isometric View

|   |  |  |  |  |  |
|---|--|--|--|--|--|
|   |  | Tél: (450) 979-4373<br>Fax: (450) 979-4626<br>www.exmweb.com |  | Flatness<br>Aplatissement<br>Max 3.0mm |  |
| Customer<br>Client                                |  | Date   |  | Projection<br>                         |  |
| Drawn By<br>Dessiné Par BoxCad                    |  | Date 23-Jan-07   |  | Material<br>Matière See Part List      |  |
| Color<br>Couleur See Part List                    |  | Finish<br>Fini See Part List                                 |  | Description<br>881 SP - Inner Panel    |  |
| Part Number<br>Numéro Pièce<br><b>881 SP7230G</b> |  | Rev. 0   |  | Detail Rev. 2                          |  |