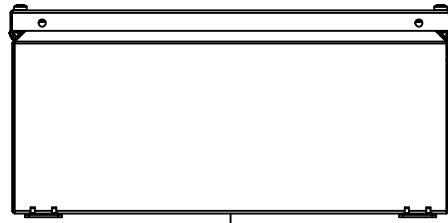
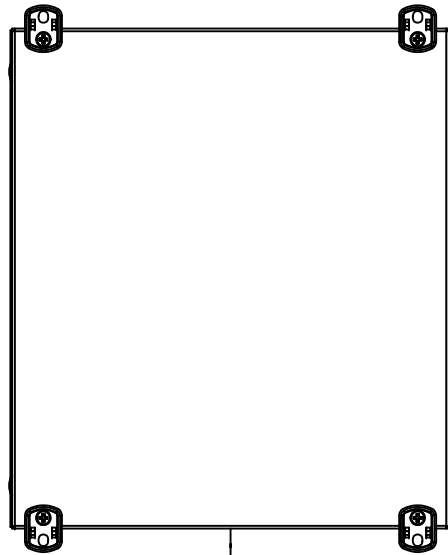


This drawing is confidential and must not be reproduced or used without the consent of EXM

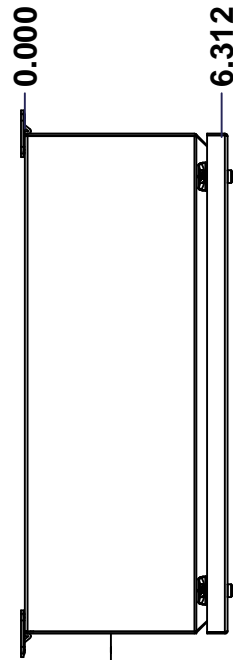
Ce dessin est confidentiel et ne doit pas être reproduit ou utilisé sans le consentement de EXM



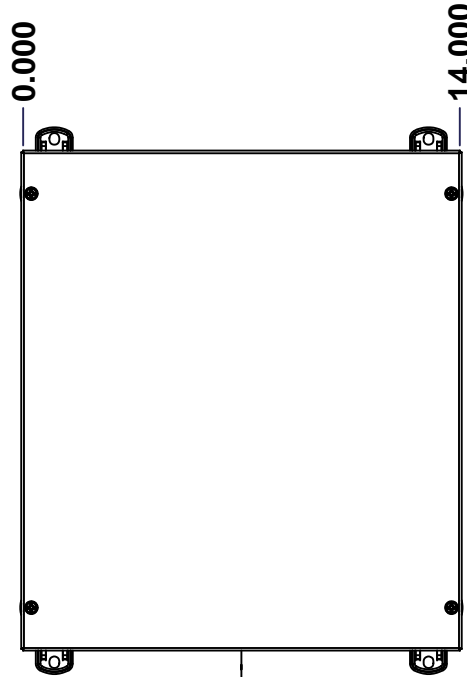
TOP



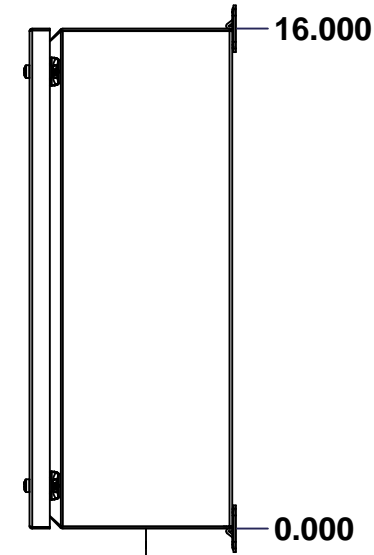
BACK



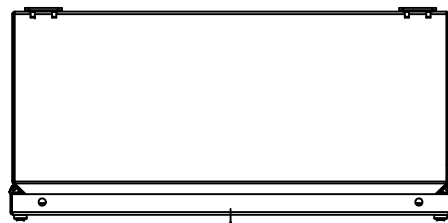
LEFT



FRONT

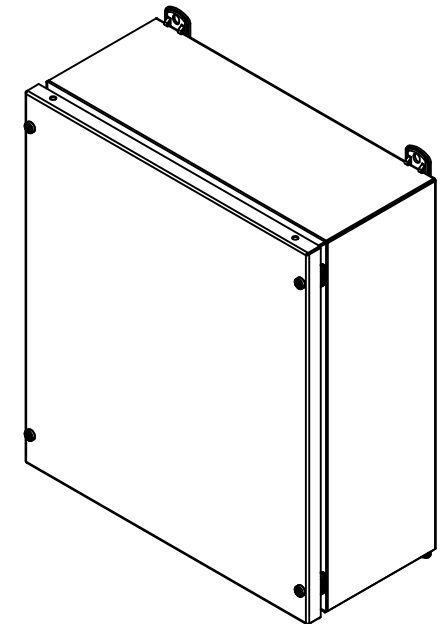


RIGHT



BOTTOM

No.	Revisions	Date	By/Par



Isometric View



Tél: (450) 979-4373
 Fax: (450) 979-4626
www.exmweb.com

Flatness
Aplatissement
Max 3.0mm
Projection

Customer Client	Date
Drawn By / Dessiné Par: BoxCad: Annie	Date: 10/11/2014
Material / Matière: Aluminum 5052-H32 (1.4mm)	
Color / Couleur: Asa-61 Grey	Finish / Fini: Smooth
Description: 5412EALSC 16" x 14" x 6" Assembly	Detail Rev.
Part Number / Numéro Pièce: 5412EALSC161406	Rev. 0

SEE BILL OF MATERIAL ON LAST PAGE

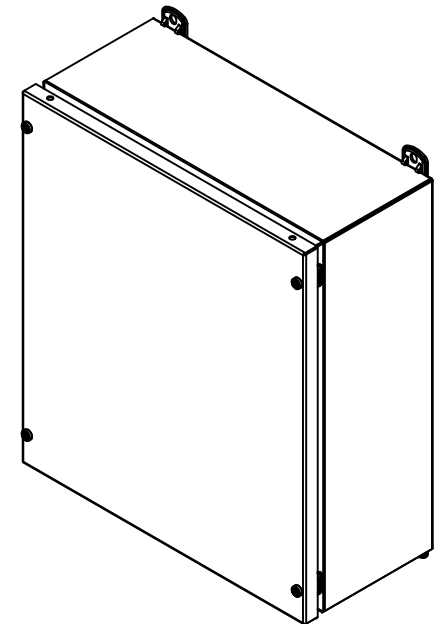
1	2
0	

This drawing is confidential and must not be reproduced or used without the consent of EXM

Ce dessin est confidentiel et ne doit pas être reproduit ou utilisé sans le consentement de EXM

NOTE	
ITEM	DESCRIPTION
1	NEMA 4X Enclosure
2	C/W Standard ground standoffs on box and cover
3	W/O Standard door stiffener
4	C/W Standard inner panel (Sold seperately)
5	C/W Standard inner panel mounting standoffs

No.	Revisions	Date	By/Par



Isometric View



EXM
www.exmweb.com
Tél: (450) 979-4373
Fax: (450) 979-4626

Flatness
Aplatissement
Max 3.0mm
Projection

Customer Client	Date
Drawn By / Dessiné Par: BoxCad: Annie	Date: 10/11/2014
Material / Matière: Aluminum 5052-H32 (1.4mm)	
Color / Couleur: Asa-61 Grey	Finish / Fini: Smooth

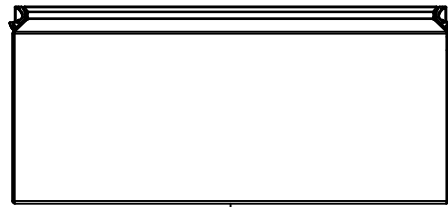
Qty	Part Number	Rev	Description
1	5412EALSC161406C	0	5412EALSC 16" x 14" Cover
1	STK-K-02925	0	5412 ESSSC Accessory Kit
1	880 SP1614	0	880 SP1614 - Inner Panel
1	5412EALSC161406B	0	5412EALSC 16" x 14" x 6" Body
Parts List			

Description: 5412EALSC 16" x 14" x 6" Assembly	Detail Rev.
Part Number / Numéro Pièce: 5412EALSC161406	Rev. 0

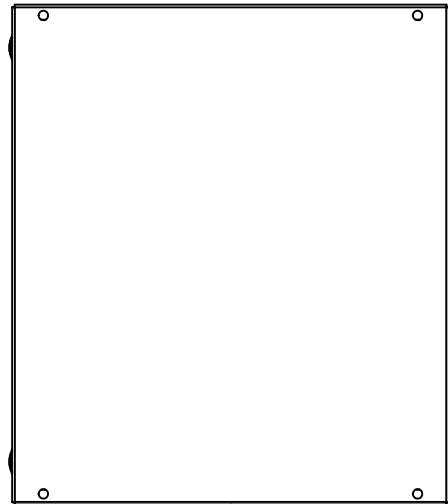
2	2
---	---

This drawing is confidential and must not be reproduced or used without the consent of EXM

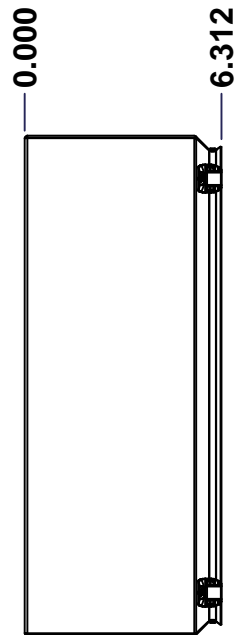
Ce dessin est confidentiel et ne doit pas être reproduit ou utilisé sans le consentement de EXM



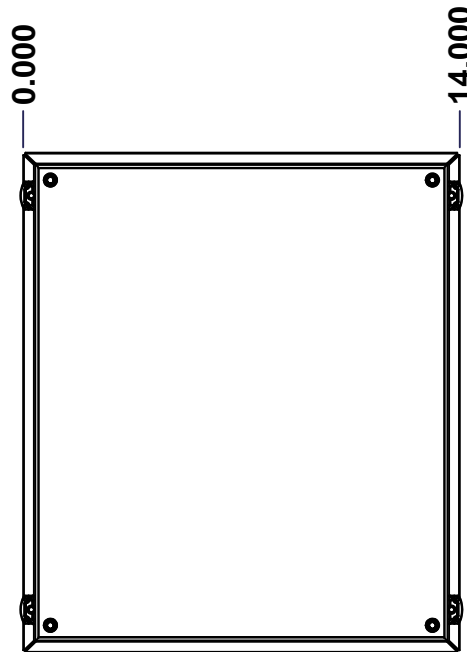
TOP



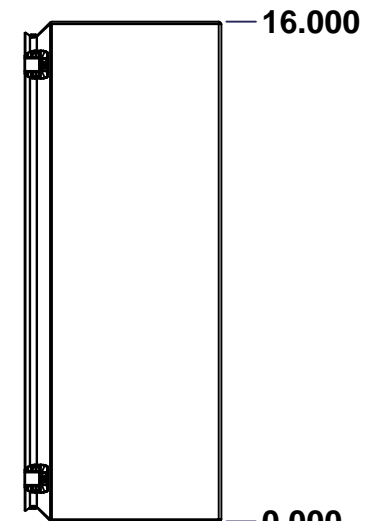
BACK



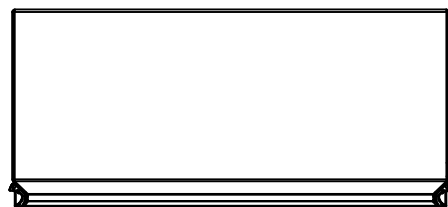
LEFT



FRONT

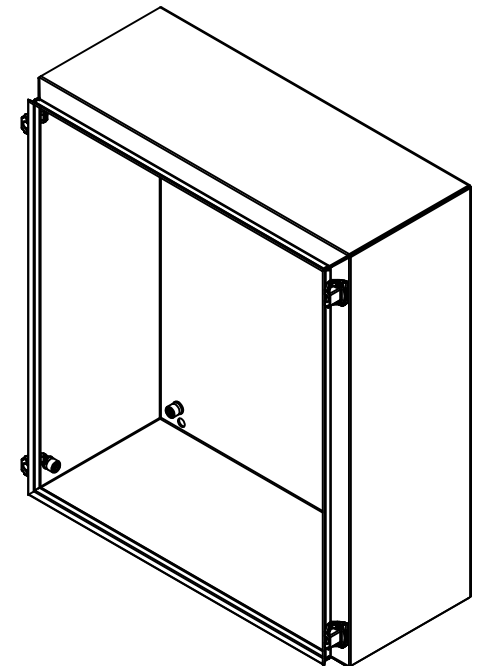


RIGHT



BOTTOM

No.	Revisions	Date	By/Par



Isometric View



Tél: (450) 979-4373
 Fax: (450) 979-4626
www.exmweb.com

Flatness
Aplatissement
Max 3.0mm
Projection

Customer Client	Date
Drawn By / Dessiné Par: BoxCad: Annie	Date: 10/11/2014
Material / Matière: Aluminum 5052-H32 (1.4mm)	
Color / Couleur: Asa-61 Grey	Finish / Fini: Smooth
Description: 5412EALSC 16" x 14" x 6" Body	Detail Rev.

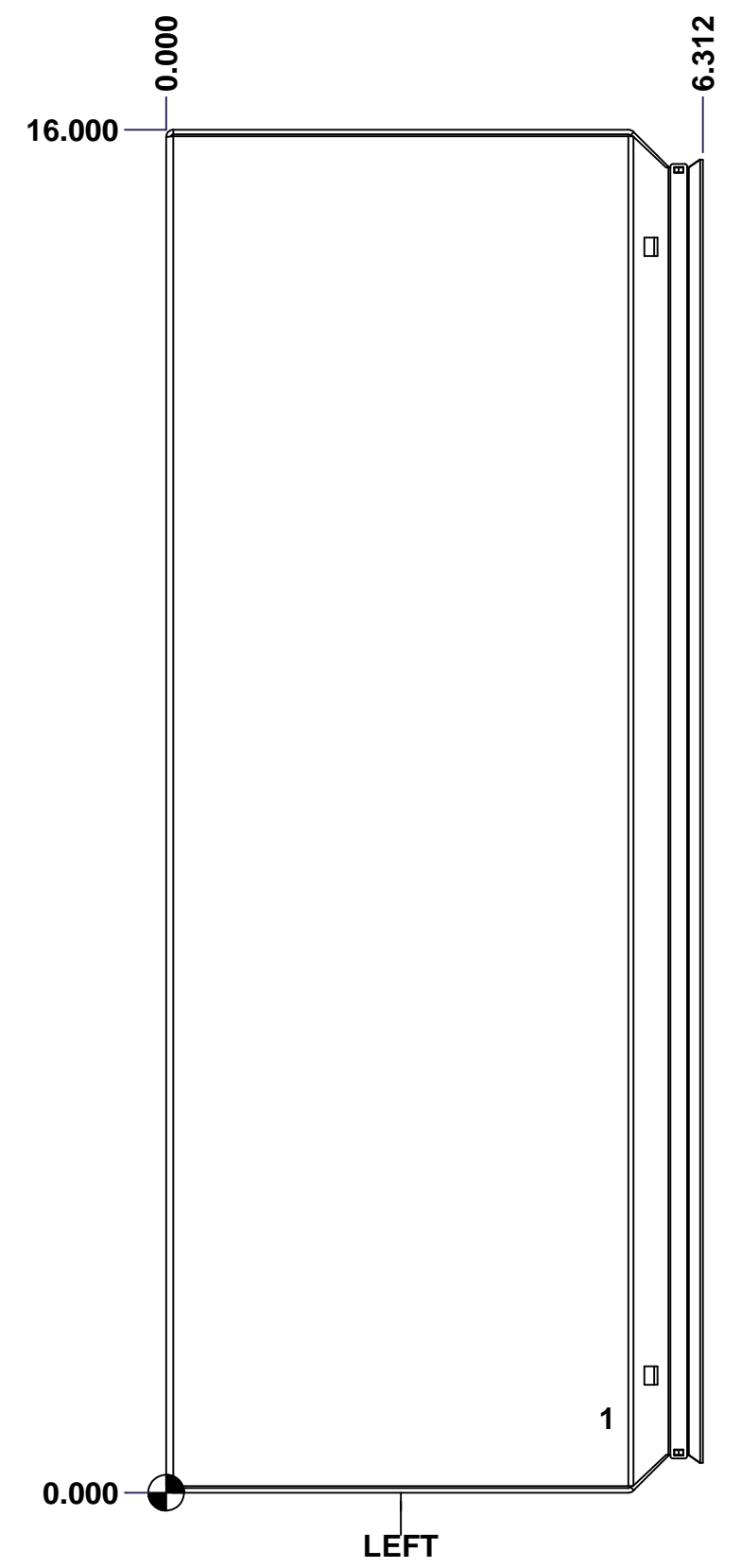
SEE BILL OF MATERIAL ON LAST PAGE

Part Number / Numéro Pièce: 5412EALSC161406B	Rev. 0	1 / 7
---	--------	-------

This drawing is confidential and must not be reproduced or used without the consent of EXM

Ce dessin est confidentiel et ne doit pas être reproduit ou utilisé sans le consentement de EXM

STANDARD FEATURES ARE NOT LISTED IN THIS HOLE TABLE			
HOLE TABLE - LEFT VIEW (CUSTOM FEATURE ONLY)			
CUT-OUT	XDIM	YDIM	DESCRIPTION
1	5.125	0.875	GND STANDOFF M6x10mm (Inside)



	Description	Status	
	5412EALSC 16" x 14" x 6" Body	(NULL)	
	Part Number Numéro Pièce	Rev.	5 / 7
	5412EALSC161406B	0	

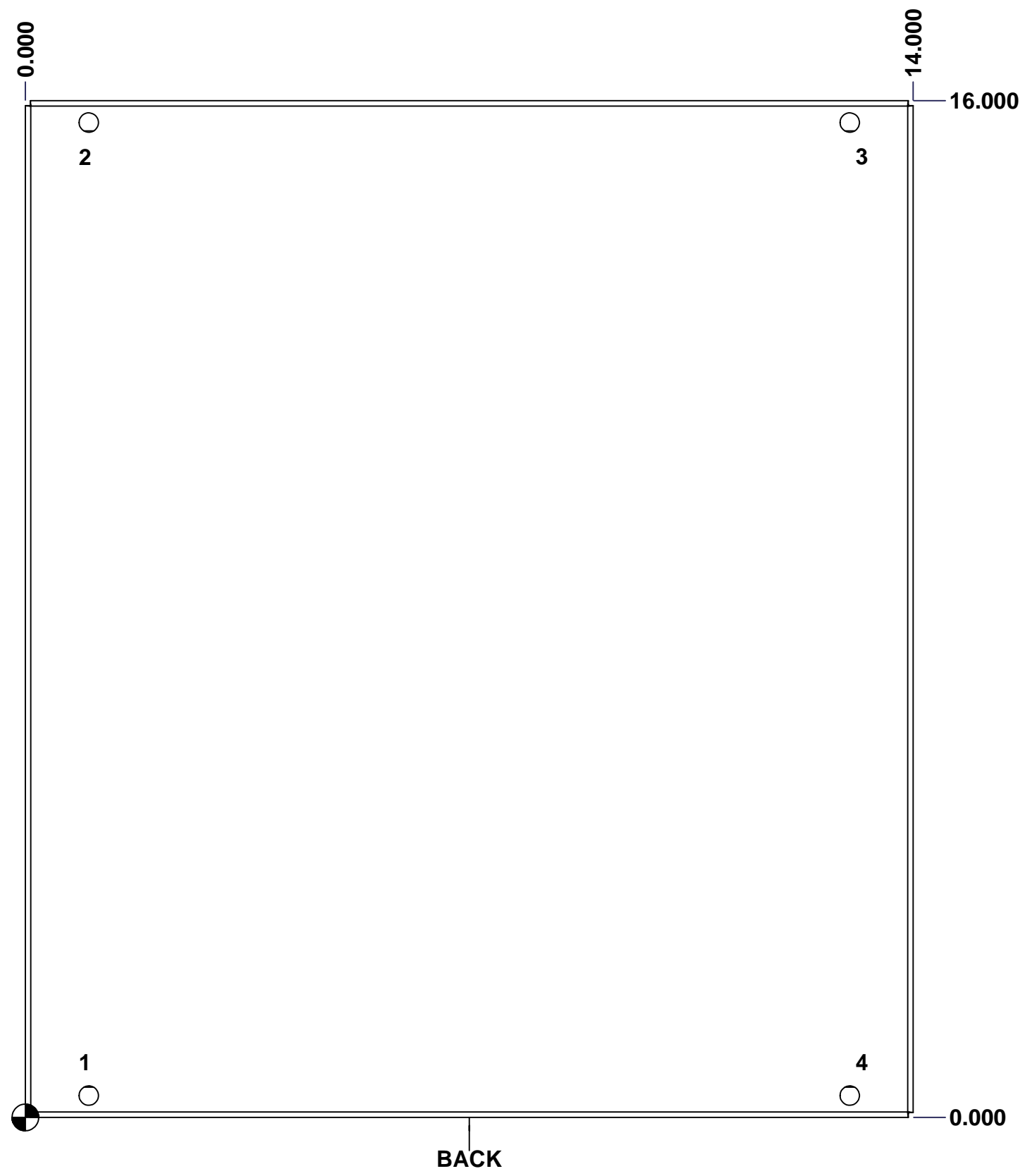
This drawing is confidential and must not be reproduced or used without the consent of EXM

Ce dessin est confidentiel et ne doit pas être reproduit ou utilisé sans le consentement de EXM

STANDARD FEATURES ARE NOT LISTED IN THIS HOLE TABLE

HOLE TABLE - BACK VIEW (CUSTOM FEATURE ONLY)

CUT-OUT	XDIM	YDIM	DESCRIPTION
1	0.875	0.875	IP STANDOFF M6 x 10mm (Inside)
2	0.875	15.125	IP STANDOFF M6 x 10mm (Inside)
3	13.125	15.125	IP STANDOFF M6 x 10mm (Inside)
4	13.125	0.875	IP STANDOFF M6 x 10mm (Inside)

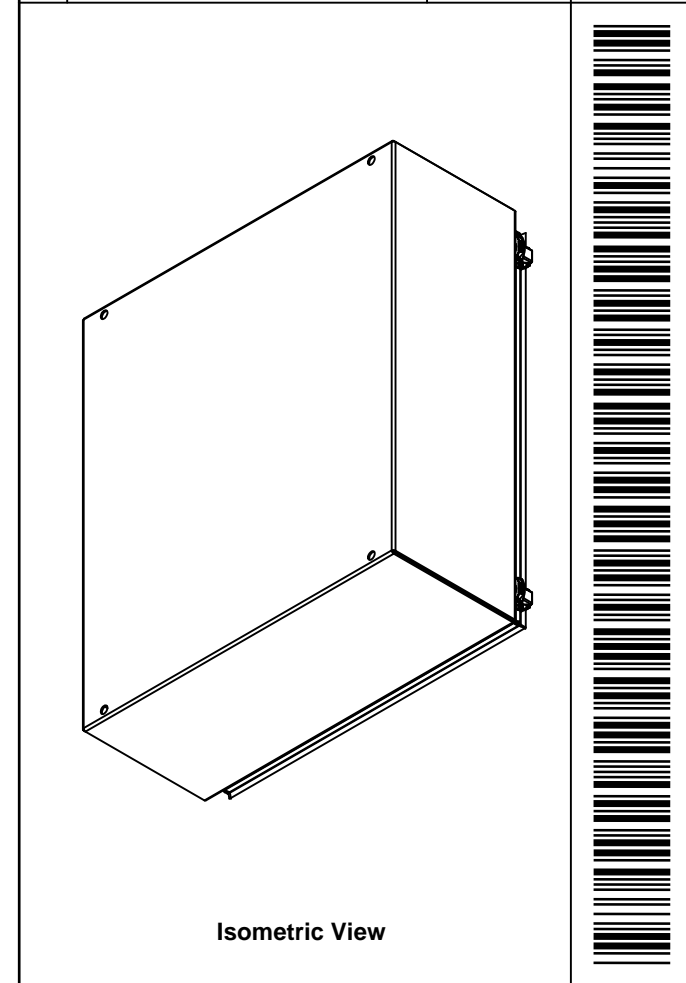



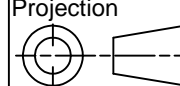
	Description	Status
	5412EALSC 16" x 14" x 6" Body	(NULL)
	Part Number Numéro Pièce	Rev.
	5412EALSC161406B	0
		6
		7

This drawing is confidential and must not be reproduced or used without the consent of EXM

Ce dessin est confidentiel et ne doit pas être reproduit ou utilisé sans le consentement de EXM

No.	Revisions	Date	By/Par

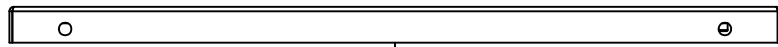


 Tél: (450) 979-4373 Fax: (450) 979-4626 www.exmweb.com		Flatness Aplatissement Max 3.0mm Projection 
Customer Client	Date	
Drawn By Dessiné Par	BoxCad: Annie	Date 10/11/2014
Material Matière	Aluminum 5052-H32 (1.4mm)	
Color Couleur	Asa-61 Grey	Finish Fini Smooth
Description		Detail Rev.
5412EALSC 16" x 14" x 6" Body		
Part Number Numéro Pièce	Rev.	7
5412EALSC161406B	0	7

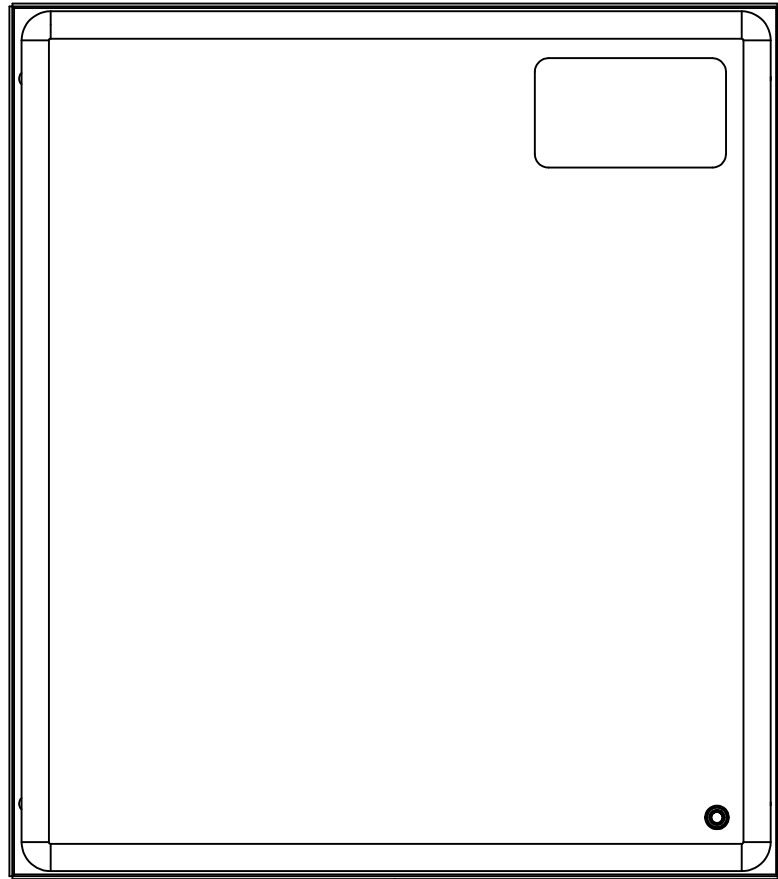
Qty	Part Number	Rev	Description
1	STK-P-02400S	0	Powder Paint (Asa-61 Grey / Smooth)
1	5412EALSC161406B-P	0	5412EALSC 16" x 14" x 6" Body Part
5	STK-Q-08400	4	Aluminum Standoff M6 x 10mm
4	STK-Q-08100	1	M5 Nylon Insert Lock Nut
4	STK-Q-70464	0	5412ESSMSC - Stainless Steel Body Catch Screw Cover
Parts List			

This drawing is confidential and must not be reproduced or used without the consent of EXM

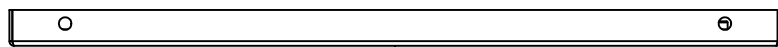
Ce dessin est confidentiel et ne doit pas être reproduit ou utilisé sans le consentement de EXM



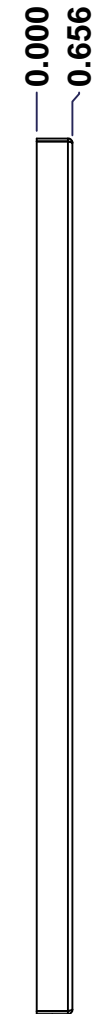
TOP



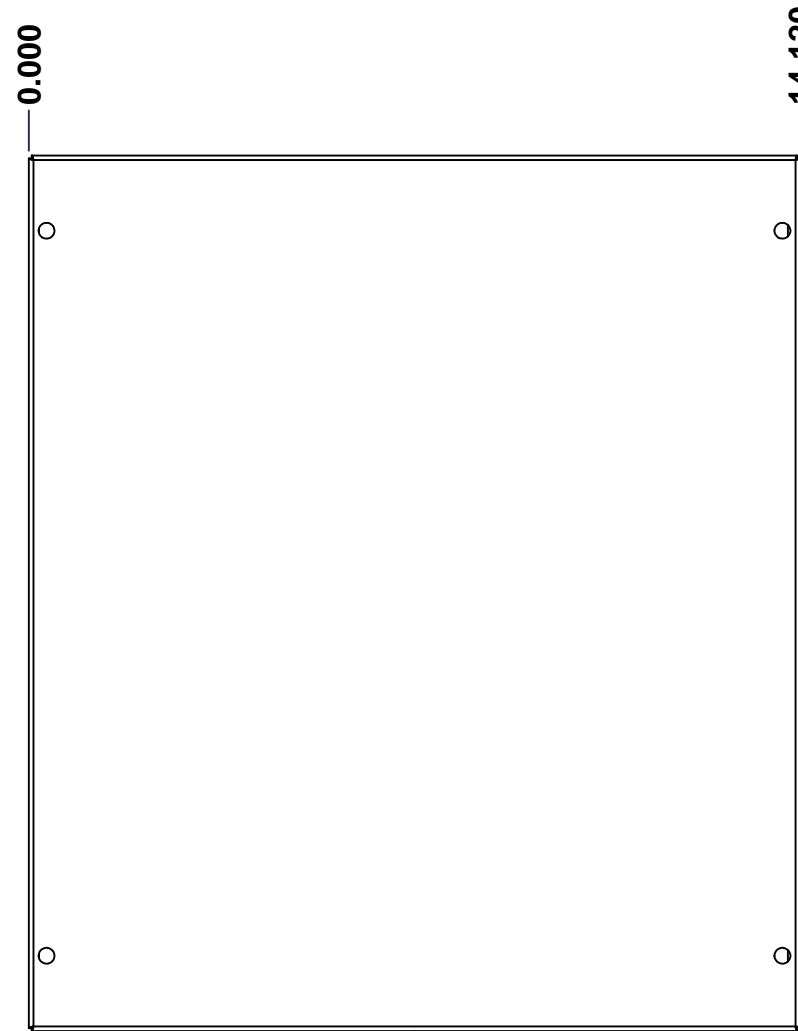
BACK



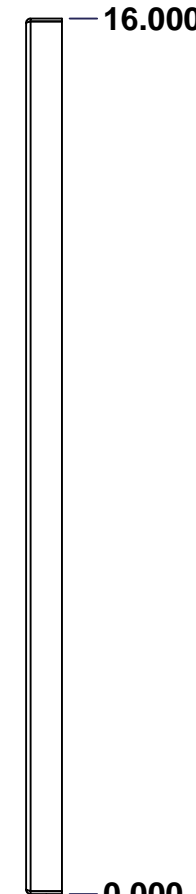
BOTTOM



LEFT

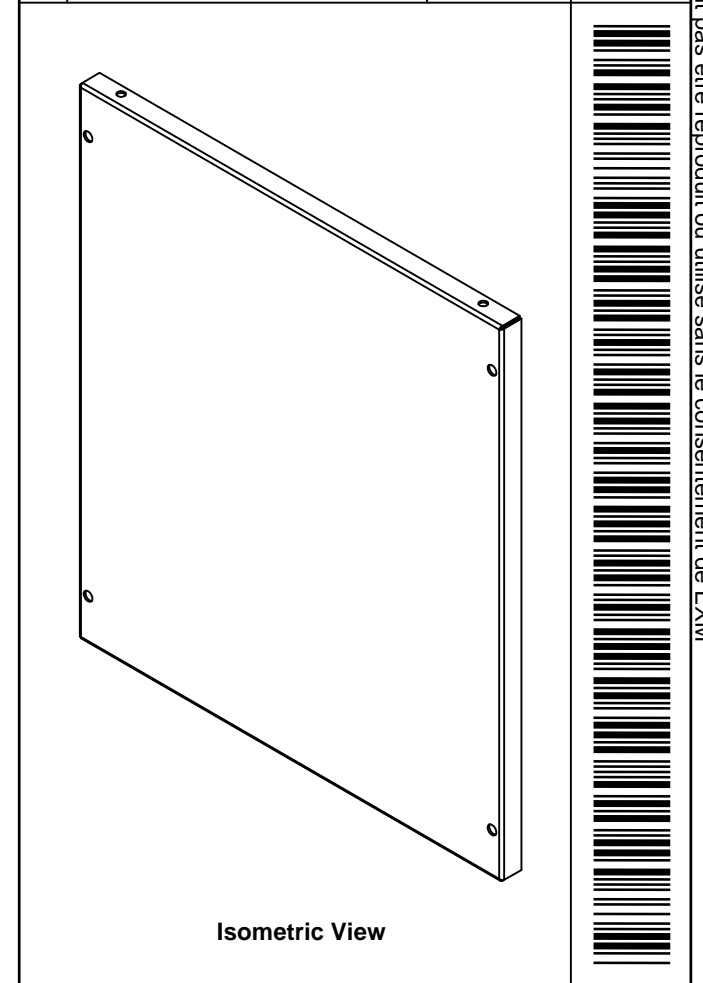


FRONT



RIGHT

No.	Revisions	Date	By/Par



Isometric View

Tél: (450) 979-4373 Fax: (450) 979-4626 www.exmweb.com		Flatness Aplatissement Max 3.0mm Projection
Customer Client	Date	
Drawn By Dessiné Par	BoxCad: Annie	Date 10/11/2014
Material Matière Aluminum 5052-H32 (1.4mm)		
Color Couleur	Asa-61 Grey	Finish Fini Smooth
Description 5412EALSC 16" x 14" Cover		Detail Rev.
Part Number Numéro Pièce	Rev. 0	1 3

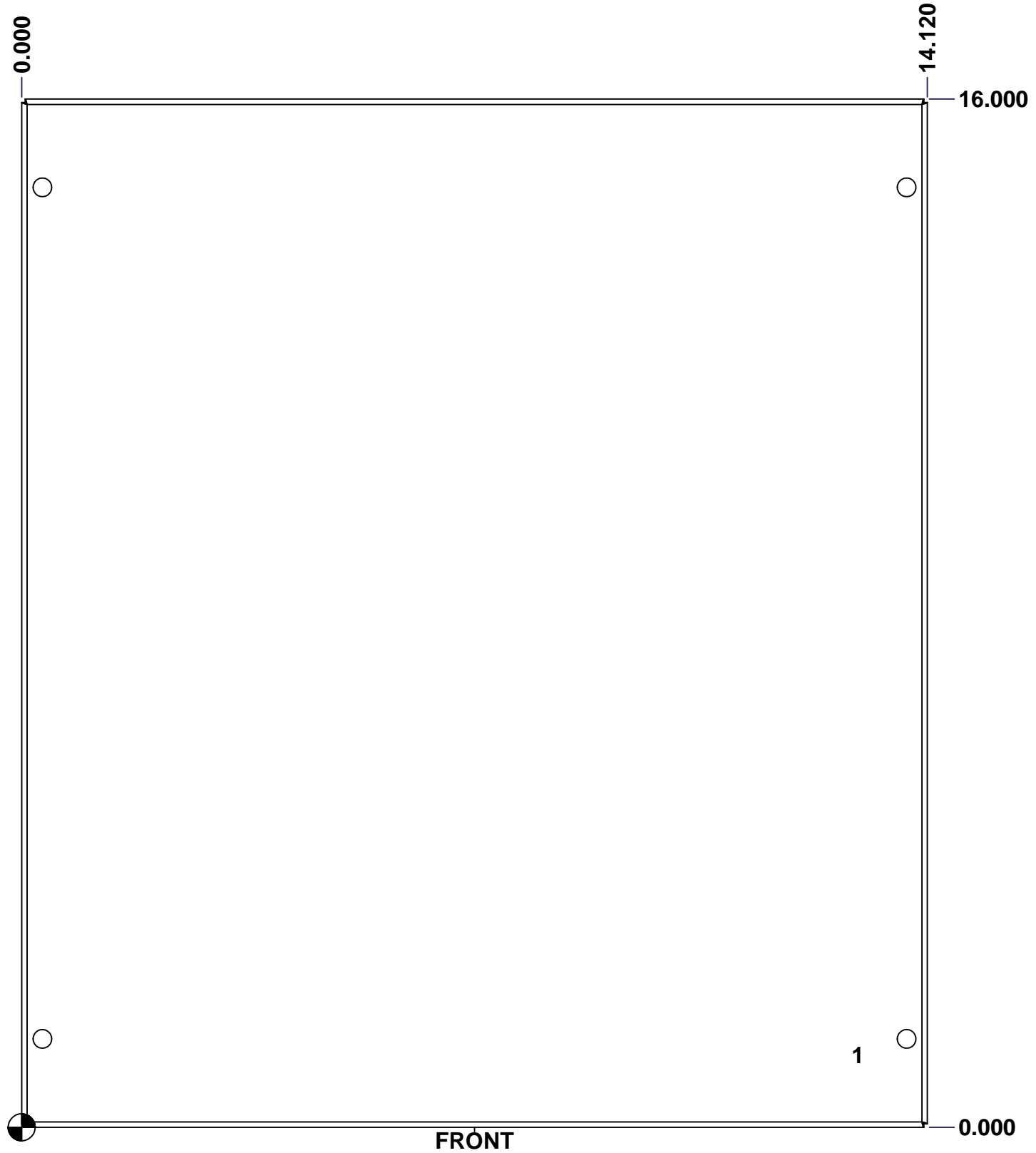
SEE BILL OF MATERIAL ON LAST PAGE

5412EALSC161406C

This drawing is confidential and must not be reproduced or used without the consent of EXM

Ce dessin est confidentiel et ne doit pas être reproduit ou utilisé sans le consentement de EXM

STANDARD FEATURES ARE NOT LISTED IN THIS HOLE TABLE			
HOLE TABLE - FRONT VIEW (CUSTOM FEATURE ONLY)			
CUT-OUT	XDIM	YDIM	DESCRIPTION
1	1.145	1.125	GND STANDOFF M6x10mm (Inside)

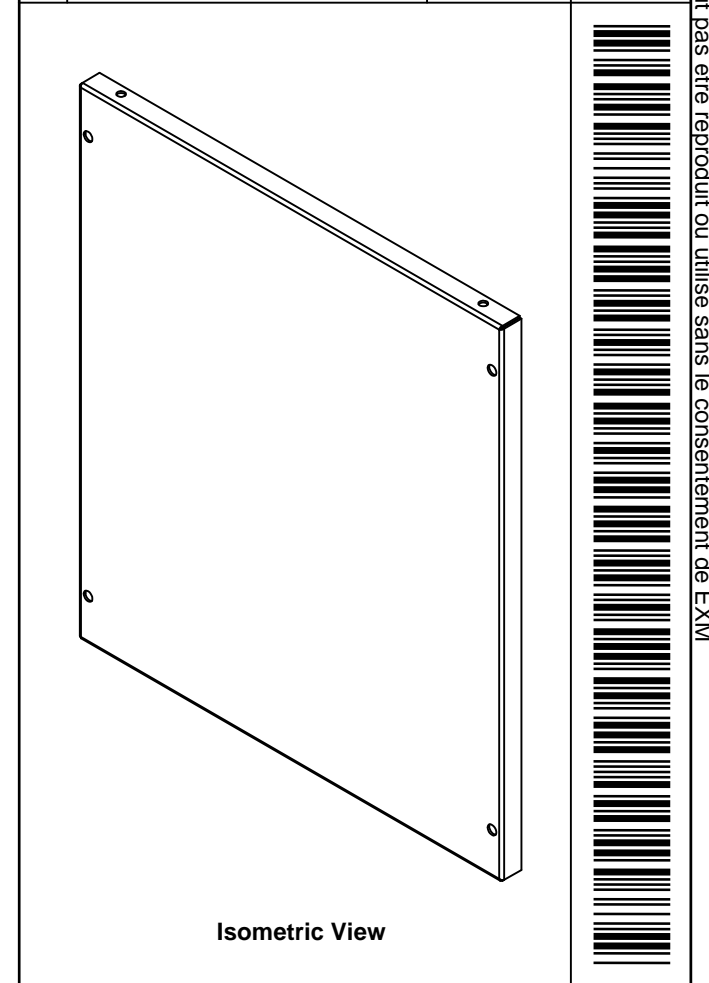


	Description		Status	
	5412EALSC 16" x 14" Cover		(NULL)	
	Part Number Numéro Pièce		Rev.	
	5412EALSC161406C		0	2 3

This drawing is confidential and must not be reproduced or used without the consent of EXM

Ce dessin est confidentiel et ne doit pas être reproduit ou utilisé sans le consentement de EXM

No.	Revisions	Date	By/Par

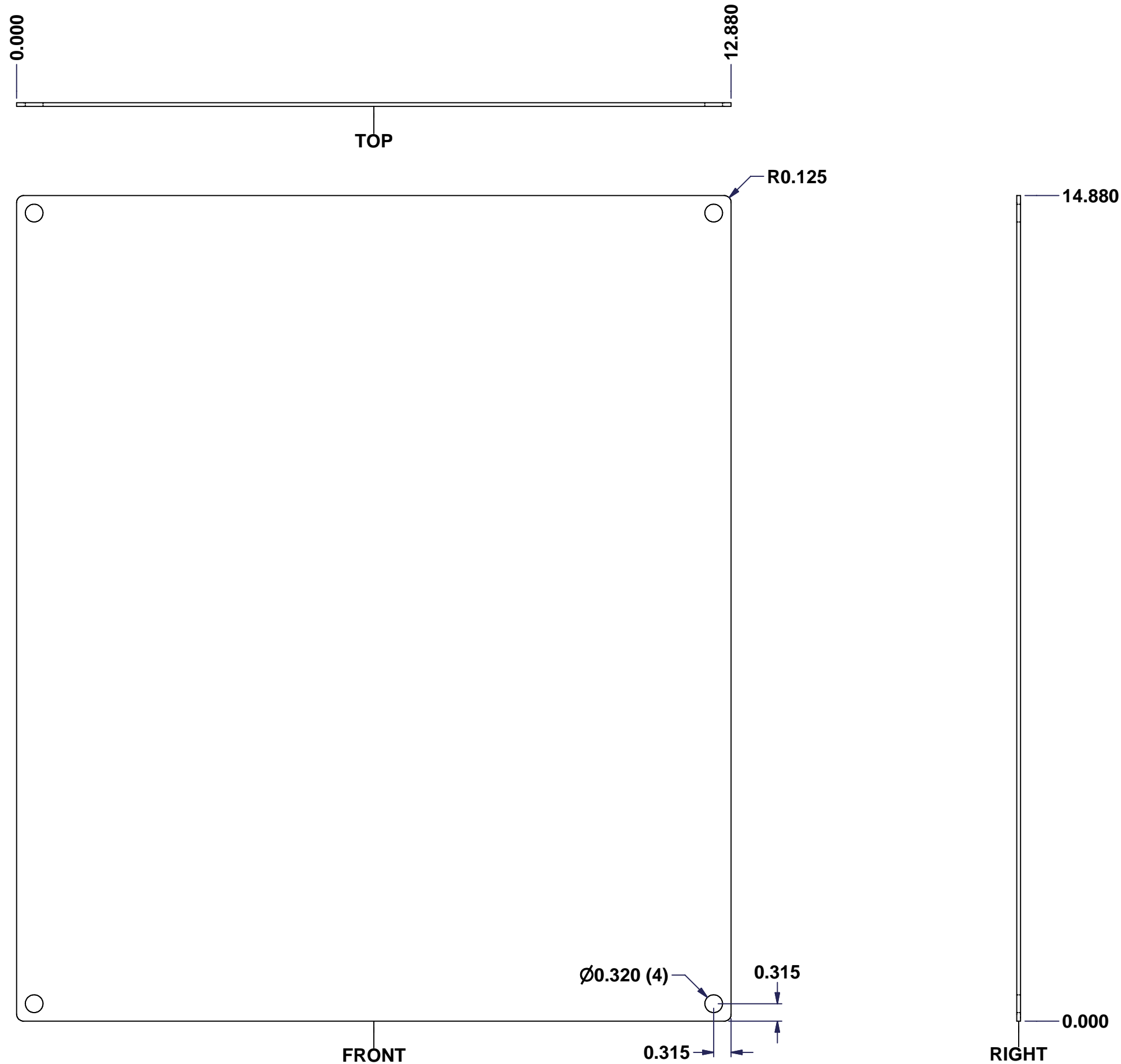


Tél: (450) 979-4373 Fax: (450) 979-4626 www.exmweb.com		Flatness Aplatissement Max 3.0mm	
		Projection 	
Customer Client		Date	
Drawn By / Dessiné Par: BoxCad: Annie		Date: 10/11/2014	
Material / Matière: Aluminum 5052-H32 (1.4mm)			
Color / Couleur: Asa-61 Grey		Finish / Fini: Smooth	
Description: 5412EALSC 16" x 14" Cover			Detail Rev.
Part Number / Numéro Pièce: 5412EALSC161406C		Rev.:	3
		0	3

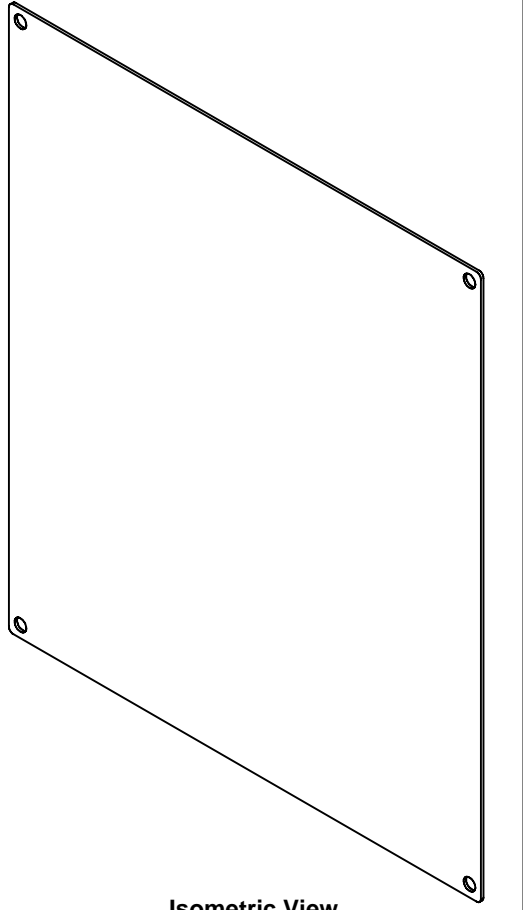
Qty	Part Number	Rev	Description
1	STK-S-00100	0.1.	3.5" x 2" Silver Milar Flexcon Sticker
1	STK-Q-08400	1	Aluminum Standoff M6 x 10mm
1	STK-P-02400S	4	Powder Paint (Asa-61 Grey / Smooth)
1	5412EALSC161406G	0	5412EALSC 16" x 14" Gasket
1	5412EALSC161406C-P	0	5412EALSC 16" x 14" Cover Part
			Parts List

This drawing is confidential and must not be reproduced or used without the consent of EXM


Ce dessin est confidentiel et ne doit pas être reproduit ou utilisé sans le consentement de EXM


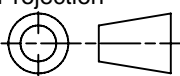


No.	Revisions	Date	By/Par



Isometric View



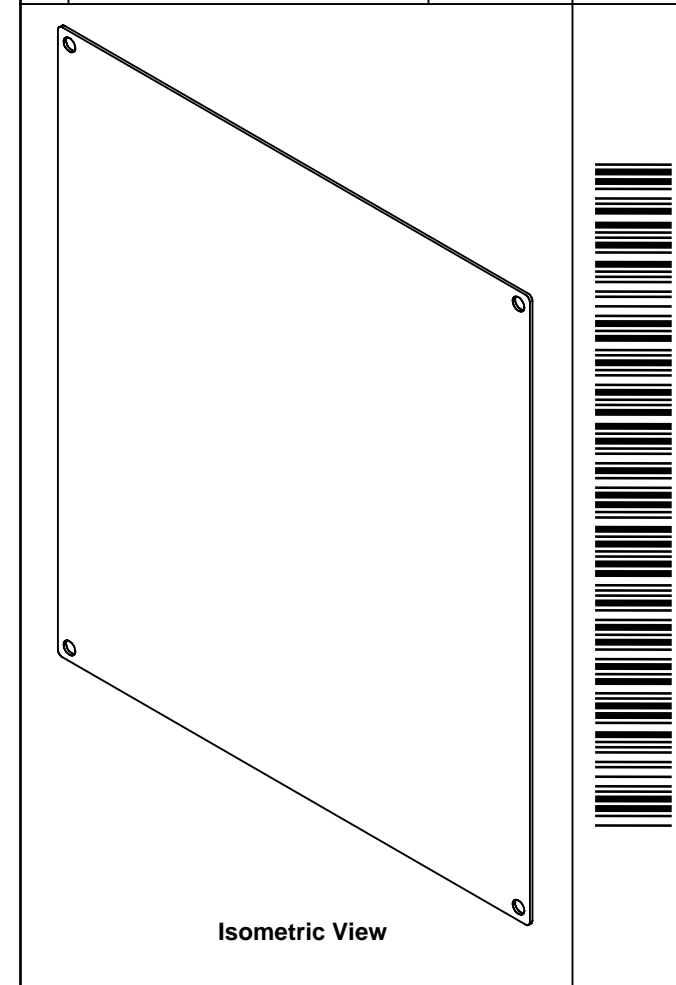
 Tél: (450) 979-4373 Fax: (450) 979-4626 www.exmweb.com		Flatness Aplatissement Max 3.0mm
Customer Client		Projection 
Drawn By / Dessiné Par: BoxCad		Date: 23/Jan/07
Material / Matière: 14 Ga H.R.P. & O.		
Color / Couleur: White	Finish / Fini: Smooth	
Description: 880 SP1614 - Inner Panel		Detail Rev.
Part Number / Numéro Pièce: 880 SP1614		Rev. 1 0


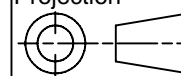
SEE BILL OF MATERIAL ON LAST PAGE

This drawing is confidential and must not be reproduced or used without the consent of EXM

Ce dessin est confidentiel et ne doit pas être reproduit ou utilisé sans le consentement de EXM

No.	Revisions	Date	By/Par



 Tél: (450) 979-4373 Fax: (450) 979-4626 www.exmweb.com		Flatness Aplatissement Max 3.0mm
Customer Client		Projection 
Drawn By / Dessiné Par: BoxCad		Date: 23/Jan/07
Material / Matière: 14 Ga H.R.P. & O.		
Color / Couleur: White	Finish / Fini: Smooth	
Description: 880 SP1614 - Inner Panel		Detail Rev.
Part Number / Numéro Pièce: 880 SP1614		Rev. 0 / 2

Qty	Part Number	Rev	Description
1	STK-P-02401S	0	Powder Paint (White / Smooth)
1	880 SP1614-P	0	880 SP1614 - Inner Panel Part
Parts List			