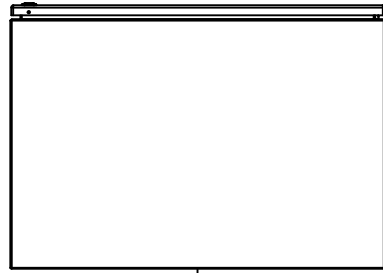
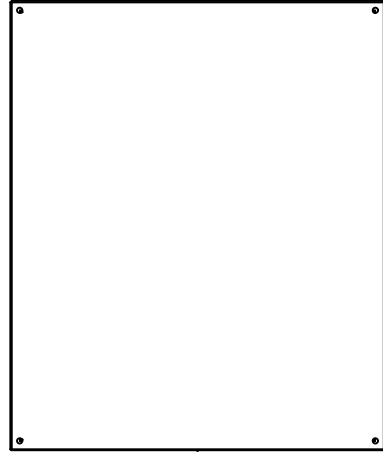


This drawing is confidential and must not be reproduced or used without the consent of EXM

Ce dessin est confidentiel et ne doit pas être reproduit ou utilisé sans le consentement de EXM



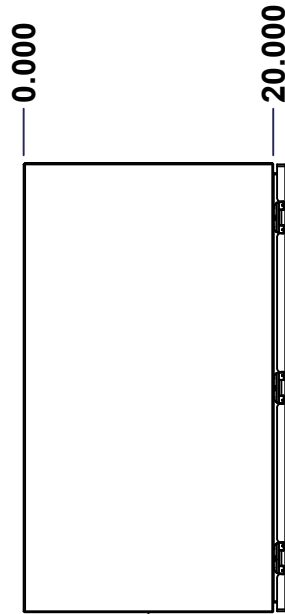
TOP



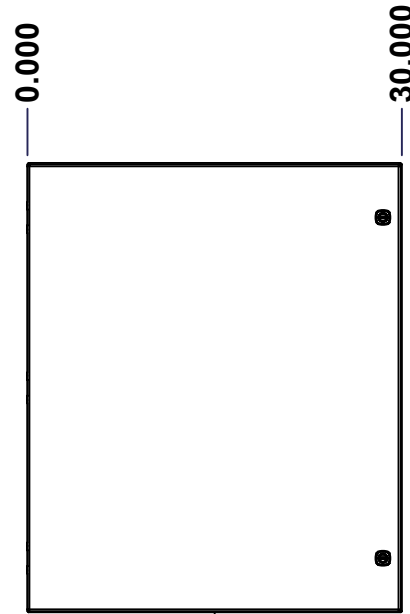
BACK



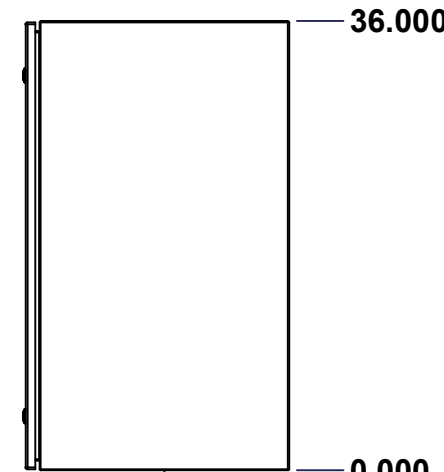
BOTTOM



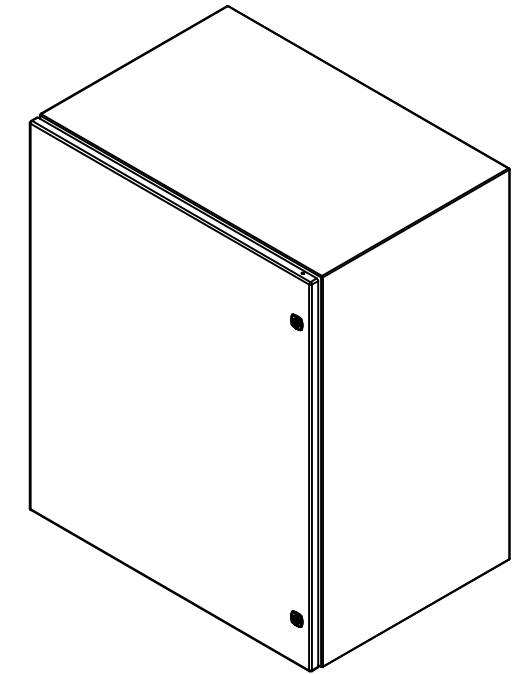
LEFT



FRONT




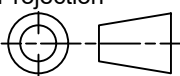
RIGHT



Isometric View



| No. | Revisions | Date | By/Par |
|-----|-----------|------|--------|
| | | | |
| | | | |
| | | | |
| | | | |
| | | | |

| | | |
|--|---|---|
|  Tél: (450) 979-4373 Fax: (450) 979-4626 www.exmweb.com | | Flatness Aplatissement Max 3.0mm Projection  |
| Customer Client | Date | |
| Drawn By Dessiné Par | BoxCad: BoxCad | Date 05-Nov-17 |
| Material Matière | 14 Ga Cold Rolled A1008 CS Type B (1.7mm) | |
| Color Couleur | Asa-61 Grey | Finish Fini Smooth |
| Description 5412ES 36" x 30" x 20" Assembly | | Detail Rev. |
| Part Number Numéro Pièce | 5412ES363020 | Rev. 1 0 |

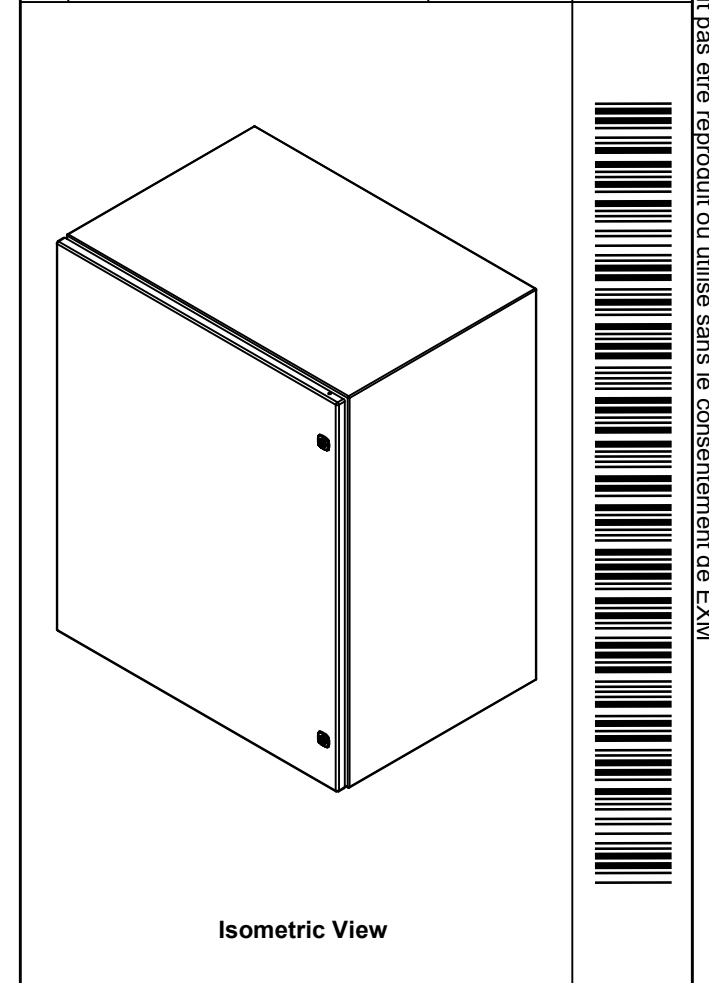
SEE BILL OF MATERIAL ON LAST PAGE


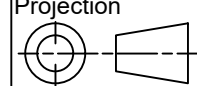
This drawing is confidential and must not be reproduced or used without the consent of EXM

Ce dessin est confidentiel et ne doit pas être reproduit ou utilisé sans le consentement de EXM

| NOTE | |
|------|--|
| ITEM | DESCRIPTION |
| 1 | NEMA 4, 12 Enclosure (IP66) |
| 2 | C/W Standard ground studs on box and cover |
| 3 | C/W Standard door stiffener |
| 4 | C/W Standard inner panel (Included) |
| 5 | C/W Standard inner panel mounting studs |
| 6 | C/W 880 PP included (Not installed) |

| No. | Revisions | Date | By/Par |
|-----|-----------|------|--------|
| | | | |
| | | | |
| | | | |
| | | | |
| | | | |
| | | | |



| | |
|--|---|
|  Tél: (450) 979-4373 Fax: (450) 979-4626 www.exmweb.com | Flatness Aplatissement |
| | Max 3.0mm |
| Projection |  |
| Customer Client | Date |
| Drawn By Dessiné Par BoxCad: BoxCad | Date 05-Nov-17 |
| Material Matière 14 Ga Cold Rolled A1008 CS Type B (1.7mm) | |

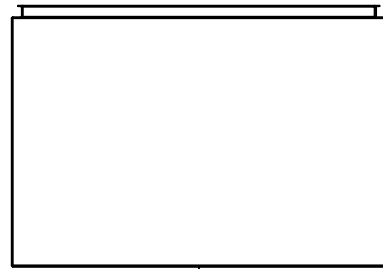
| PACKING | | |
|-----------------------|-----|--|
| ITEM | QTY | DESCRIPTION |
| Cardboard sleeve | 2 | Top and Bottom |
| Cardboard strip | 2 | Between back of enclosure and inner panel |
| Plastic bag | 1 | To protect cover surface and inside gasket |
| Plastic strap - Black | 2 | To Squeeze the 2 cardboard sleeve together |
| Packaging label | 1 | White label with product number |

| | | | |
|------------|----------------|-----|--|
| 1 | 881 SP3630G | 0 | 881 SP - Inner Panel |
| 3 | STK-K-01320 | 0 | 5412 ES Inner Panel Accessory Kit |
| 1 | 880 PP | 6 | Self Adhesive Print Pocket |
| 1 | STK-K-01800 | 5 | 5412 ES Accessory Kit |
| 1 | 5412ES363020C | 0 | 5412ES 36" x 30" Cover |
| 1 | 5412ES363020B | 0 | 5412ES 36" x 30" x 20" Body |
| 3 | STK-Q-04050-08 | 0 | M6 x 8mm Hexagon Socket Head Machine Screw |
| Qty | Part Number | Rev | Description |
| Parts List | | | |

| | | | |
|-----------------------------|---------------------------------|----------------|-------------|
| Color Couleur | Asa-61 Grey | Finish Fini | Smooth |
| Description | 5412ES 36" x 30" x 20" Assembly | | Detail Rev. |
| Part Number Numéro Pièce | 5412ES363020 | | Rev. 2 |
| | | | 0 |
| | | | 9 |

This drawing is confidential and must not be reproduced or used without the consent of EXM

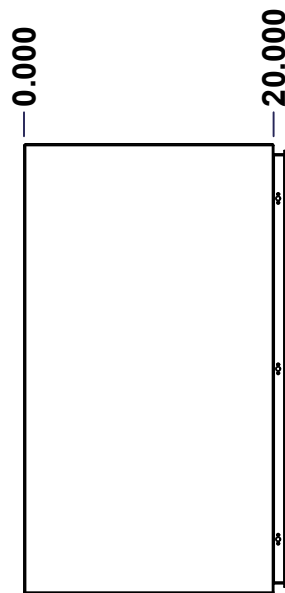
Ce dessin est confidentiel et ne doit pas être reproduit ou utilisé sans le consentement de EXM



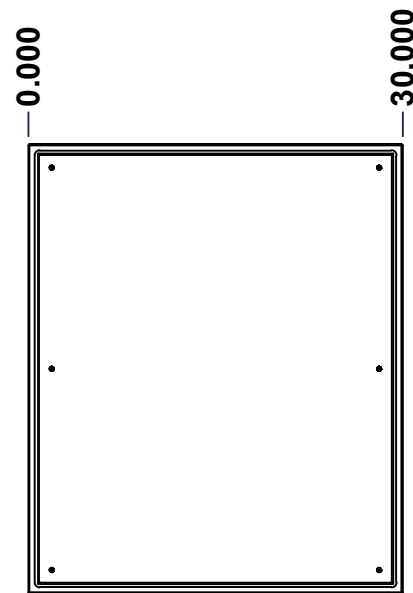
TOP



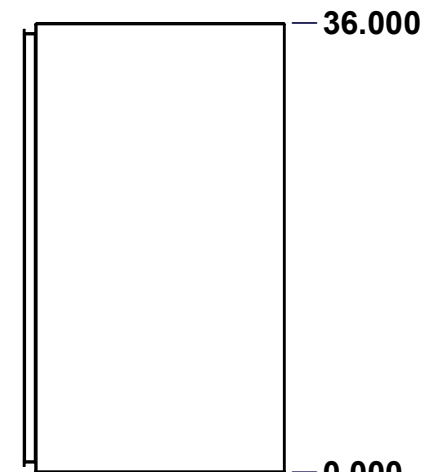
BACK



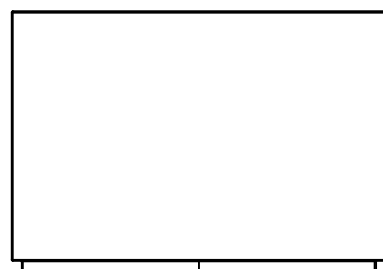
LEFT



FRONT

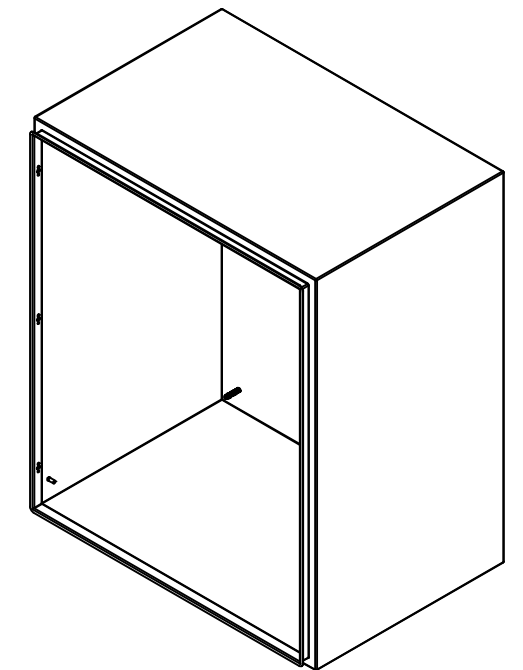


RIGHT



BOTTOM

| No. | Revisions | Date | By/Par |
|-----|-----------|------|--------|
| | | | |
| | | | |
| | | | |
| | | | |
| | | | |



Isometric View

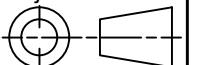


Tél: (450) 979-4373
 Fax: (450) 979-4626
www.exmweb.com

Flatness
Aplatissement

Max 3.0mm

Projection



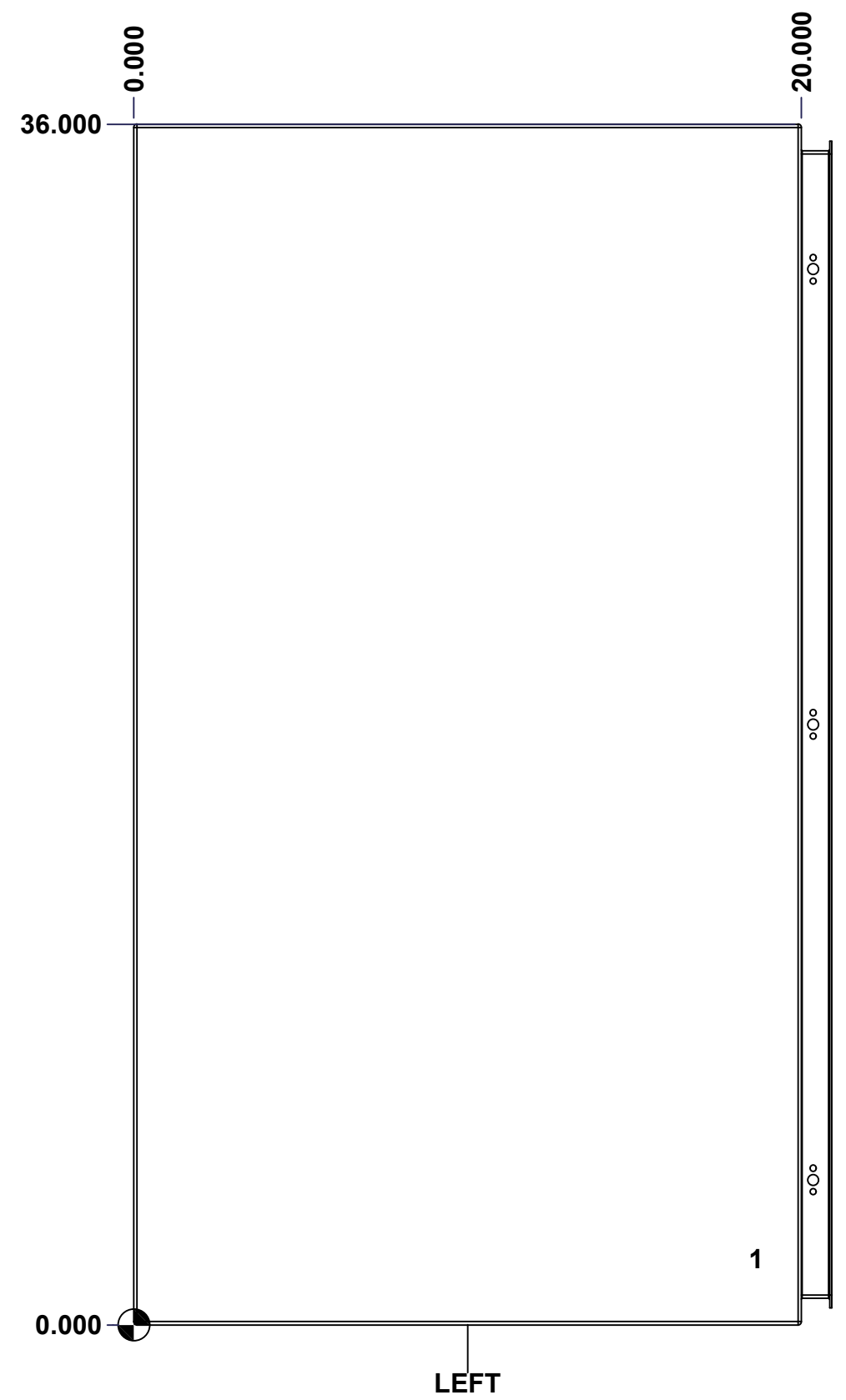
| | |
|---|-----------------------|
| Customer Client | Date |
| Drawn By Dessiné Par BoxCad: BoxCad | Date 05-Nov-17 |
| Material Matière 14 Ga Cold Rolled A1008 CS Type B (1.7mm) | |
| Color Couleur Asa-61 Grey | Finish Fini Smooth |
| Description 5412ES 36" x 30" x 20" Body | Detail Rev. |
| Part Number Numéro Pièce 5412ES363020B | Rev. 3 0 |

SEE BILL OF MATERIAL ON LAST PAGE

This drawing is confidential and must not be reproduced or used without the consent of EXM

Ce dessin est confidentiel et ne doit pas être reproduit ou utilisé sans le consentement de EXM

| STANDARD FEATURES ARE NOT LISTED IN THIS HOLE TABLE | | | |
|--|--------|-------|-----------------------------|
| HOLE TABLE - LEFT VIEW (CUSTOM FEATURE ONLY) | | | |
| CUT-OUT | XDIM | YDIM | DESCRIPTION |
| 1 | 18.500 | 2.000 | GND STUD M6 x 16mm (Inside) |



| | | | |
|--|-----------------------------|----------|--------|
| | Description | Status | |
| | 5412ES 36" x 30" x 20" Body | (NULL) | |
| | Part Number Numéro Pièce | Rev. | |
| | 5412ES363020B | 0 | 4 9 |

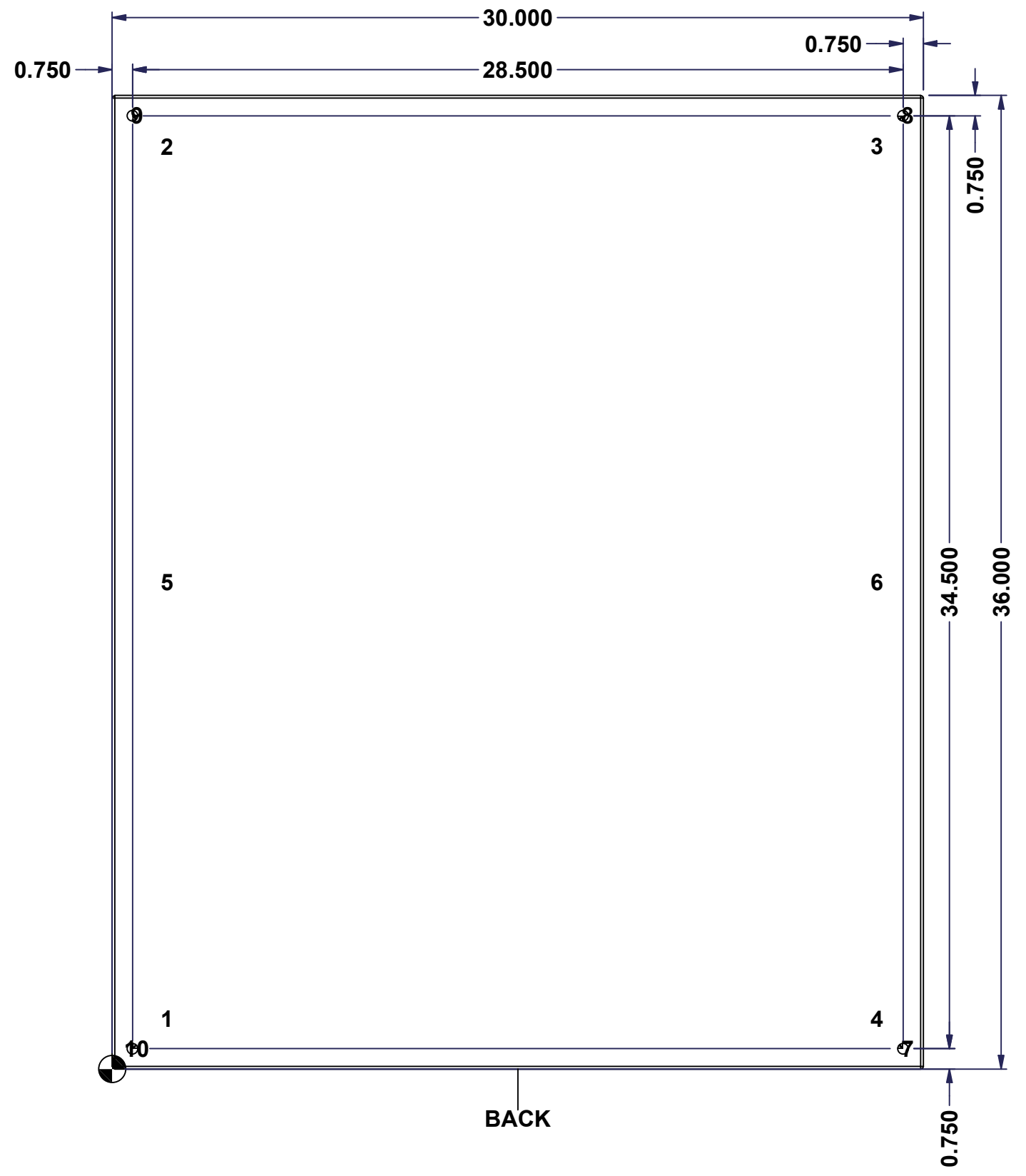
This drawing is confidential and must not be reproduced or used without the consent of EXM

Ce dessin est confidentiel et ne doit pas être reproduit ou utilisé sans le consentement de EXM

STANDARD FEATURES ARE NOT LISTED IN THIS HOLE TABLE

HOLE TABLE - BACK VIEW (CUSTOM FEATURE ONLY)

| CUT-OUT | XDIM | YDIM | DESCRIPTION |
|---------|--------|--------|----------------------------|
| 1 | 1.875 | 1.875 | IP STUD M8 x 35mm (Inside) |
| 2 | 1.875 | 34.125 | IP STUD M8 x 35mm (Inside) |
| 3 | 28.125 | 34.125 | IP STUD M8 x 35mm (Inside) |
| 4 | 28.125 | 1.875 | IP STUD M8 x 35mm (Inside) |
| 5 | 1.875 | 18.000 | IP STUD M8 x 35mm (Inside) |
| 6 | 28.125 | 18.000 | IP STUD M8 x 35mm (Inside) |
| ----- | | | |
| 7 | 29.250 | 0.750 | RND Ø0.390 |
| 8 | 29.250 | 35.250 | RND Ø0.390 |
| 9 | 0.750 | 35.250 | RND Ø0.390 |
| 10 | 0.750 | 0.750 | RND Ø0.390 |

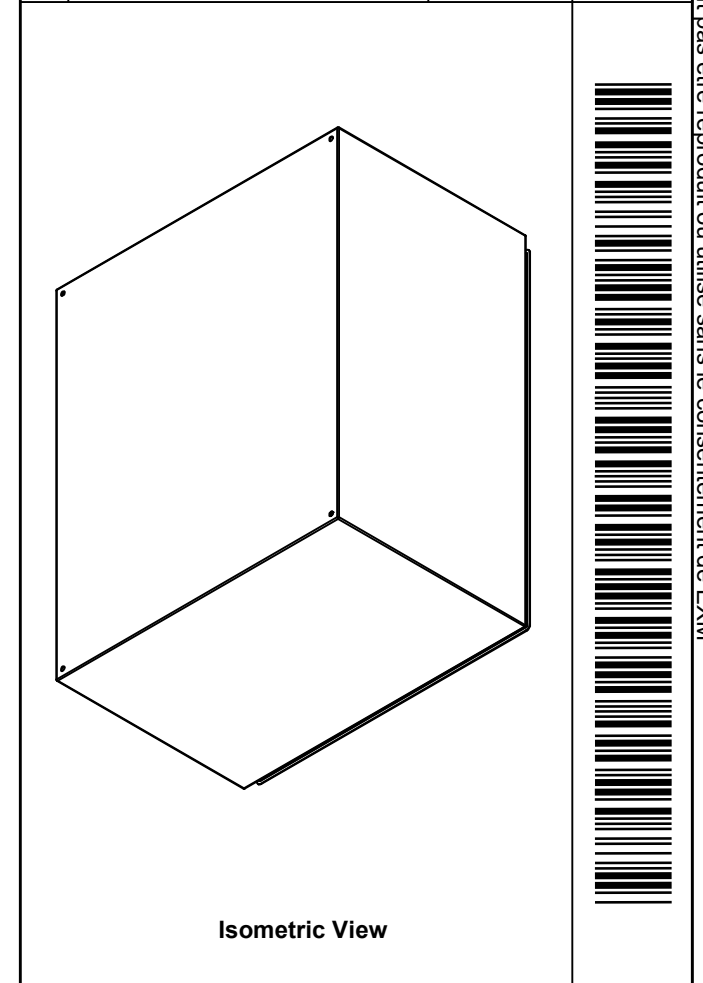



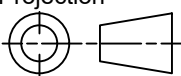
| | | | |
|--|-----------------------------|----------|---|
| | Description | Status | |
| | 5412ES 36" x 30" x 20" Body | (NULL) | |
| | Part Number | Rev. | 5 |
| | Numéro Pièce | 0 | 9 |
| | 5412ES363020B | | |

This drawing is confidential and must not be reproduced or used without the consent of EXM

Ce dessin est confidentiel et ne doit pas être reproduit ou utilisé sans le consentement de EXM

| No. | Revisions | Date | By/Par |
|-----|-----------|------|--------|
| | | | |
| | | | |
| | | | |
| | | | |
| | | | |

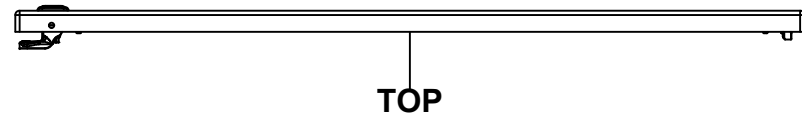


| | | |
|--|-----------------------|---|
|  Tél: (450) 979-4373 Fax: (450) 979-4626 www.exmweb.com | | Flatness Aplatissement Max 3.0mm Projection  |
| Customer Client | Date | |
| Drawn By / Dessiné Par: BoxCad: BoxCad | Date: 05-Nov-17 | |
| Material / Matière: 14 Ga Cold Rolled A1008 CS Type B (1.7mm) | | |
| Color / Couleur: Asa-61 Grey | Finish / Fini: Smooth | |
| Description: 5412ES 36" x 30" x 20" Body | | Detail Rev. |
| Part Number / Numéro Pièce: 5412ES363020B | | Rev. 6 / 9 |

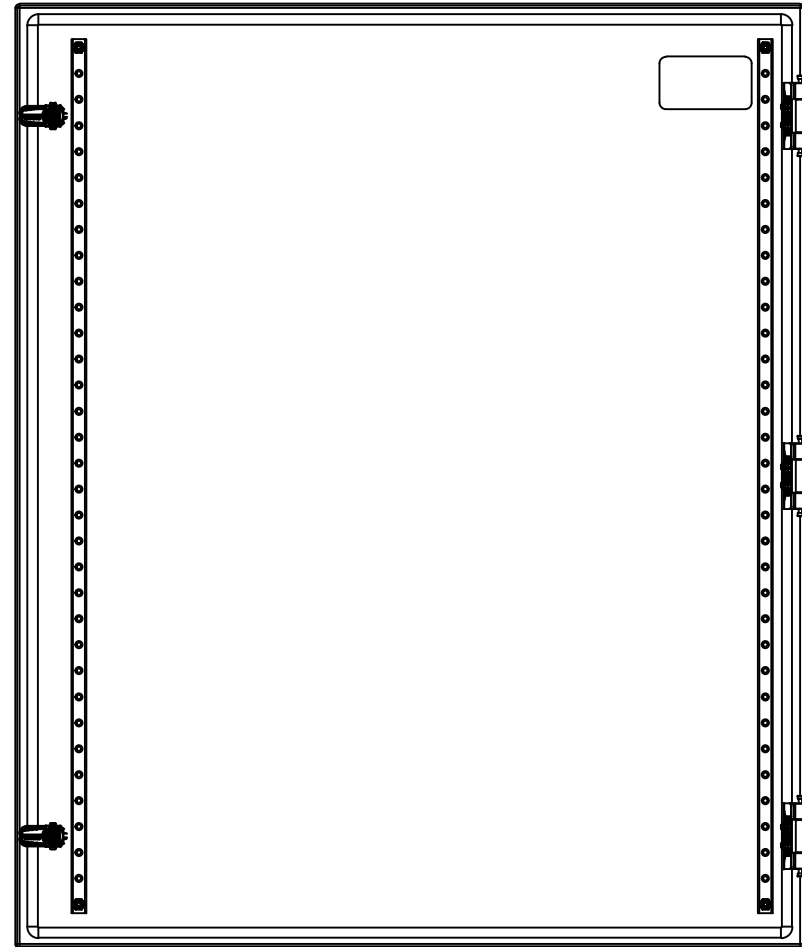
| Qty | Part Number | Rev | Description |
|------------|-----------------|-----|--|
| 1 | STK-Q-16080 | 0 | Ground Stud M6 x 16mm Steel |
| 1 | STK-P-02400S | 0 | Powder Paint (Asa-61 Grey / Smooth) |
| 6 | STK-Q-16005 | 1 | Stud M8 x 35mm (No Paint Cap Required) |
| 1 | 5412ES363020B-P | 0 | 5412ES 36" x 30" x 20" Body Part |
| Parts List | | | |

This drawing is confidential and must not be reproduced or used without the consent of EXM

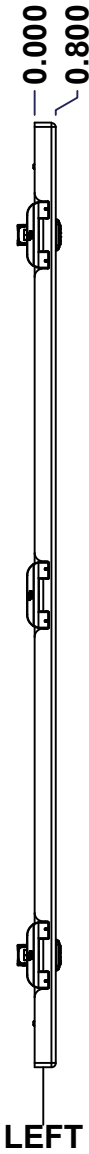
Ce dessin est confidentiel et ne doit pas être reproduit ou utilisé sans le consentement de EXM



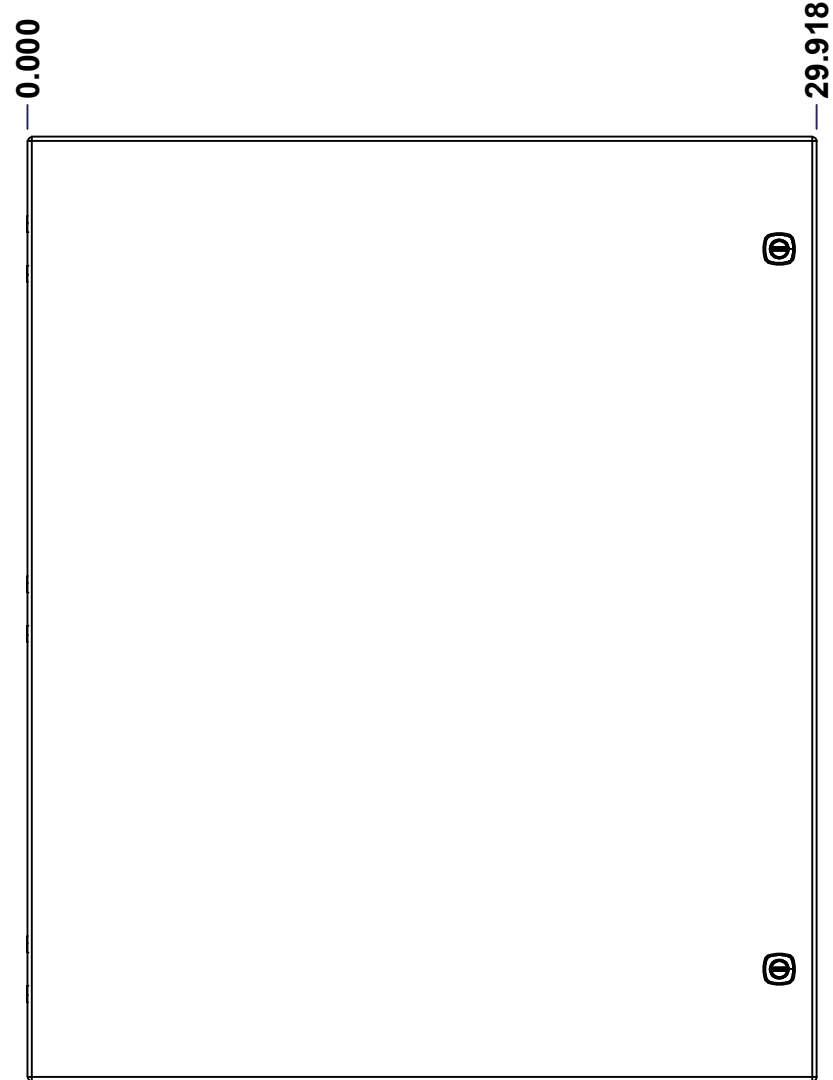
TOP



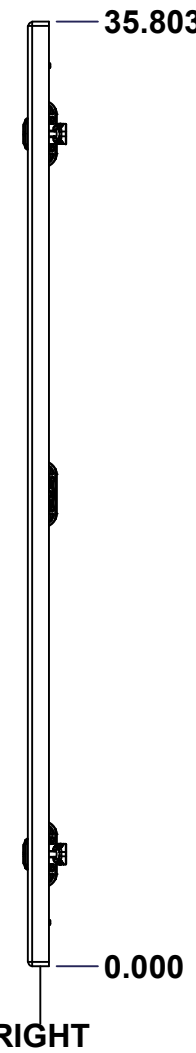
BACK



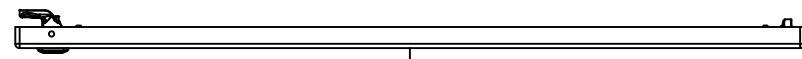
LEFT



FRONT

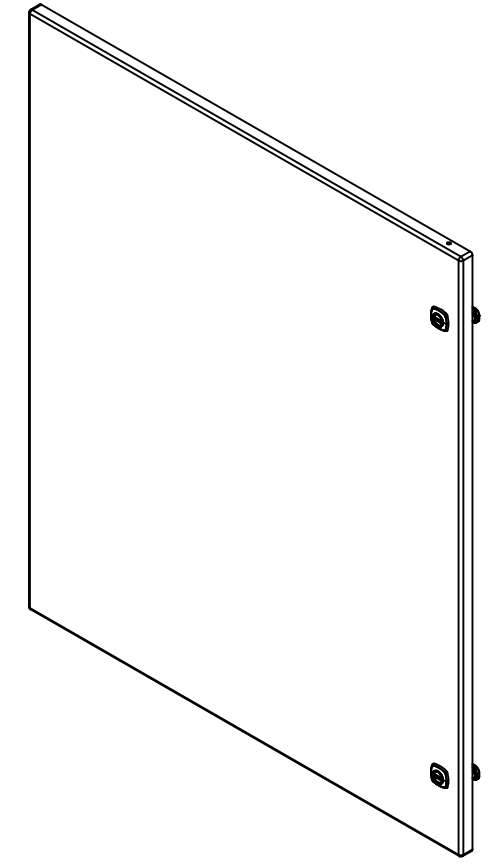


RIGHT



BOTTOM

| No. | Revisions | Date | By/Par |
|-----|-----------|------|--------|
| | | | |
| | | | |
| | | | |
| | | | |
| | | | |



Isometric View



Tél: (450) 979-4373
 Fax: (450) 979-4626
www.exmweb.com

Flatness
Aplatissement
Max 3.0mm
Projection

| | |
|---|-----------------|
| Customer Client | Date |
| Drawn By / Dessiné Par: BoxCad: BoxCad | Date: 05-Nov-17 |
| Material / Matière: 14 Ga Cold Rolled A1008 CS Type B (1.7mm) | |

| | |
|------------------------------|-----------------------|
| Color / Couleur: Asa-61 Grey | Finish / Fini: Smooth |
|------------------------------|-----------------------|

| | |
|-------------------------------------|-------------|
| Description: 5412ES 36" x 30" Cover | Detail Rev. |
|-------------------------------------|-------------|

| | | | |
|---|--------|---|---|
| Part Number / Numéro Pièce: 5412ES363020C | Rev. 0 | 7 | 9 |
|---|--------|---|---|

SEE BILL OF MATERIAL ON LAST PAGE

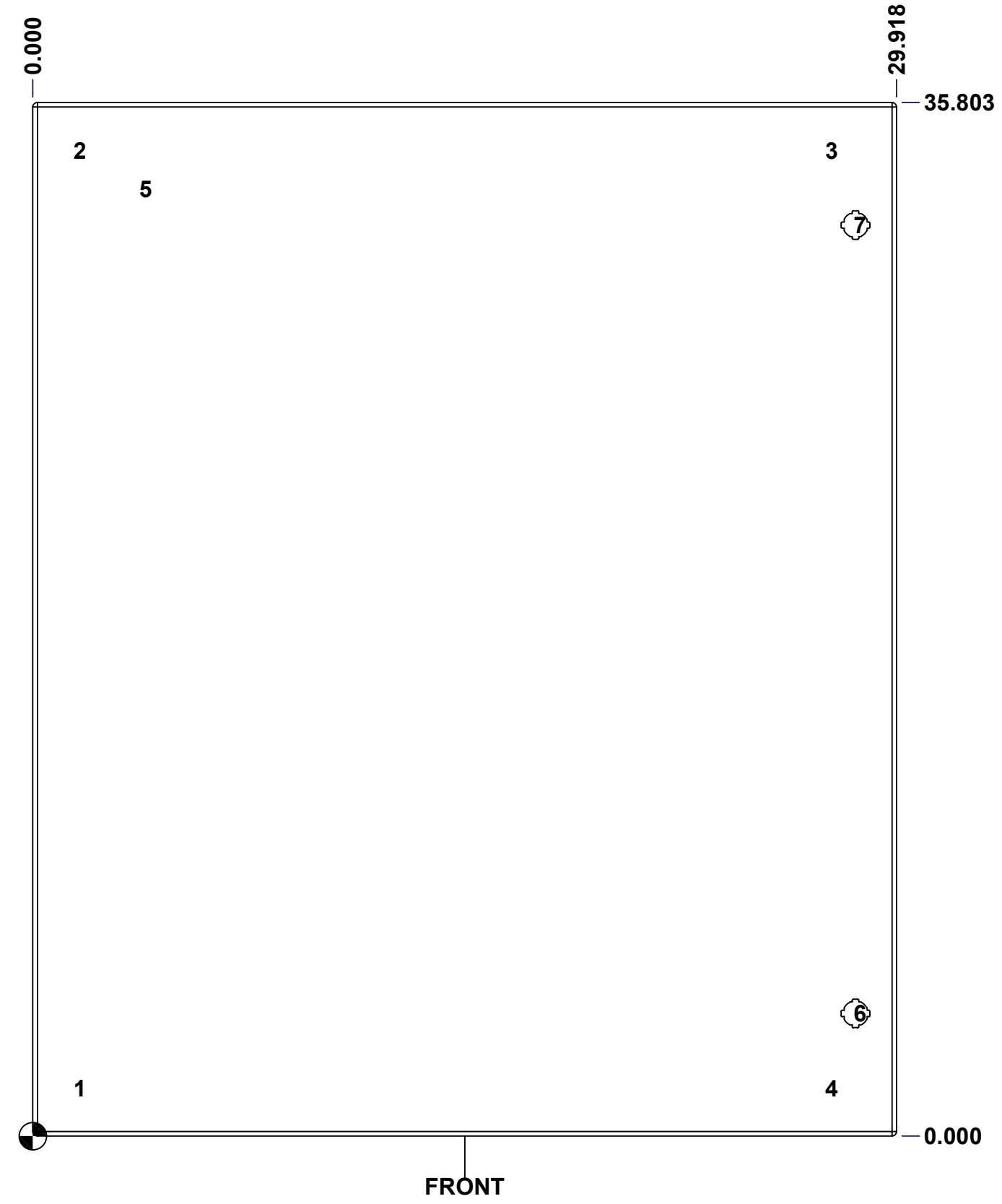
This drawing is confidential and must not be reproduced or used without the consent of EXM

Ce dessin est confidentiel et ne doit pas être reproduit ou utilisé sans le consentement de EXM

STANDARD FEATURES ARE NOT LISTED IN THIS HOLE TABLE

HOLE TABLE - FRONT VIEW (CUSTOM FEATURE ONLY)

| CUT-OUT | XDIM | YDIM | DESCRIPTION |
|---------|--------|--------|-------------------------|
| 1 | 1.486 | 1.661 | STUD M6 x 18mm (Inside) |
| 2 | 1.486 | 34.142 | STUD M6 x 18mm (Inside) |
| 3 | 27.517 | 34.142 | STUD M6 x 18mm (Inside) |
| 4 | 27.517 | 1.661 | STUD M6 x 18mm (Inside) |
| ----- | | | |
| 5 | 3.750 | 32.803 | LABEL_EXM (Inside) |
| 6 | 28.494 | 4.250 | LOCK 880 SCQ4-SL @ 0.0° |
| 7 | 28.494 | 31.553 | LOCK 880 SCQ4-SL @ 0.0° |

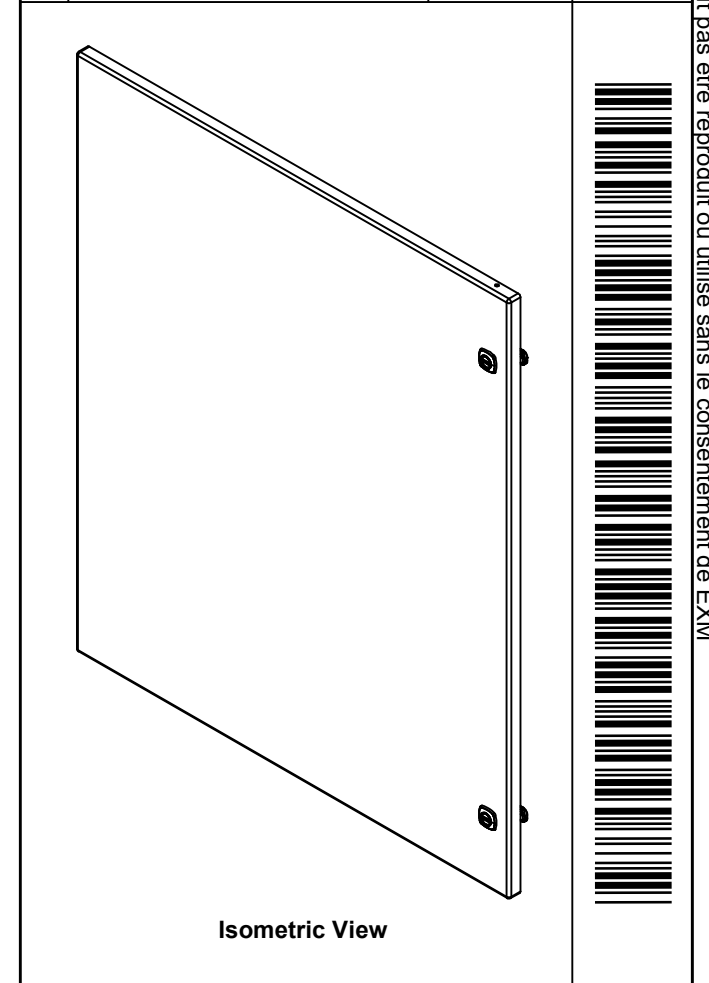


| | | |
|--|-----------------------------|------------------|
| | Description | Status |
| | 5412ES 36" x 30" Cover | (NULL) |
| | Part Number Numéro Pièce | Rev. |
| | 5412ES363020C | 0 / 8 / 9 |

This drawing is confidential and must not be reproduced or used without the consent of EXM

Ce dessin est confidentiel et ne doit pas être reproduit ou utilisé sans le consentement de EXM

| No. | Revisions | Date | By/Par |
|-----|-----------|------|--------|
| | | | |
| | | | |
| | | | |
| | | | |
| | | | |




 Tél: (450) 979-4373
 Fax: (450) 979-4626
www.exmweb.com

Flatness
 Aplatissement
 Max 3.0mm
Projection


| | |
|---|-----------------|
| Customer Client | Date |
| Drawn By / Dessiné Par: BoxCad: BoxCad | Date: 05-Nov-17 |
| Material / Matière: 14 Ga Cold Rolled A1008 CS Type B (1.7mm) | |

| | |
|-------------------------------------|-----------------------|
| Color / Couleur: Asa-61 Grey | Finish / Fini: Smooth |
| Description: 5412ES 36" x 30" Cover | |
| Detail Rev. | |

| | | |
|--|--------|---|
| Part Number / Numéro Pièce: 5412ES363020C | Rev. 0 | 9 |
|--|--------|---|

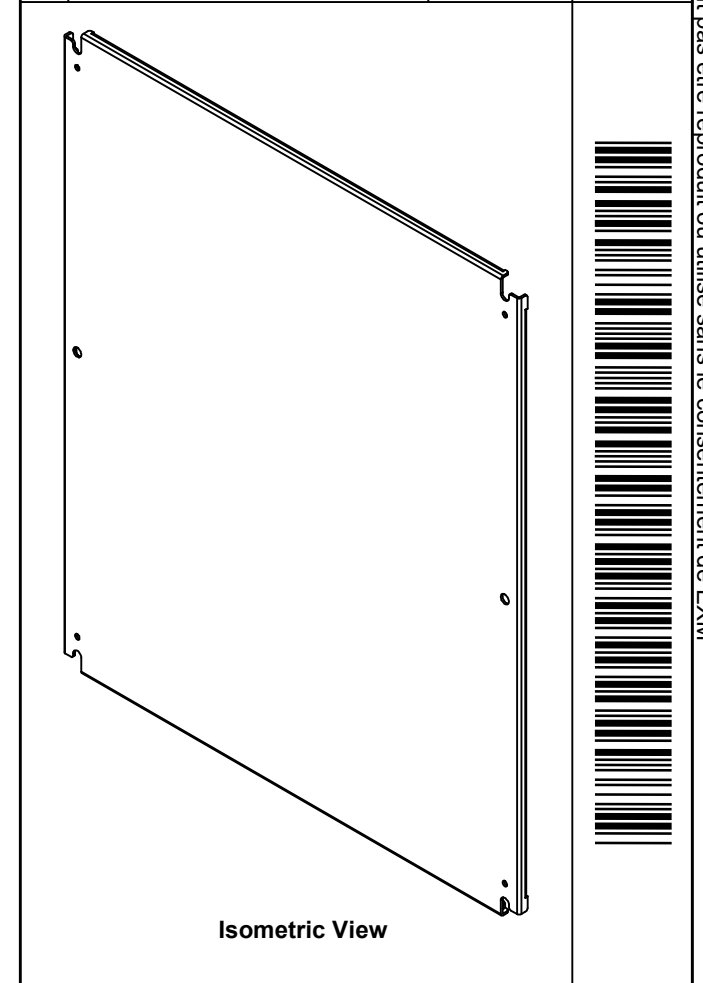
| QTY | Part Number | Rev | Description |
|------------|-----------------|-----|---|
| 2 | STK-K-12500 | 19 | 5412 ES 1/4 Turn Lock |
| 1 | STK-S-00100 | 0 | 3.5" x 2" Silver Milar Flexcon Sticker |
| 1 | STK-P-02400S | 0 | Powder Paint (Asa-61 Grey / Smooth) |
| 2 | STK-Q-46020-36 | 5 | 5412 ES Vertical Door Stiffener 36" |
| 4 | STK-Q-16055 | 1 | M6 x 18mm Stud (No Paint Cap Required) |
| 1 | 5412ES363020G | 0 | 5412ES 36" x 30" Cover Gasket Part |
| 1 | 5412ES363020C-P | 0 | 5412ES 36" x 30" Cover Part |
| 3 | STK-K-09800 | 10 | 5412 ES Hinge with 2 Captive Hinge Pins |
| 4 | STK-Q-07220 | 1 | M6 Nylon Insert Lock Nut |
| Parts List | | | |


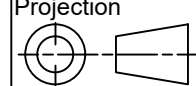
This drawing is confidential and must not be reproduced or used without the consent of EXM

Ce dessin est confidentiel et ne doit pas être reproduit ou utilisé sans le consentement de EXM



| No. | Revisions | Date | By/Par |
|-----|-----------|------|--------|
| | | | |
| | | | |
| | | | |
| | | | |
| | | | |



| | |
|--|---|
|  Tél: (450) 979-4373 Fax: (450) 979-4626 www.exmweb.com | Flatness Aplatissement Max 3.0mm |
| | Projection  |
| Customer Client | Date |
| Drawn By / Dessiné Par: BoxCad | Date: 23-Jan-07 |
| Material / Matière: See Part List | |
| Color / Couleur: See Part List | Finish / Fini: See Part List |
| Description: 881 SP - Inner Panel | |
| Detail Rev. | |
| Part Number / Numéro Pièce: 881 SP3630G | Rev. 0 |

| Qty | Part Number | Rev | Description | Material | Color | Finish |
|-----|---------------|-----|---------------------------|------------------|-----------|------------|
| 1 | 881 SP3630G-P | 0 | 881 SP - Inner Panel Part | 12 Ga Galvanized | Unpainted | Galvanized |

Parts List

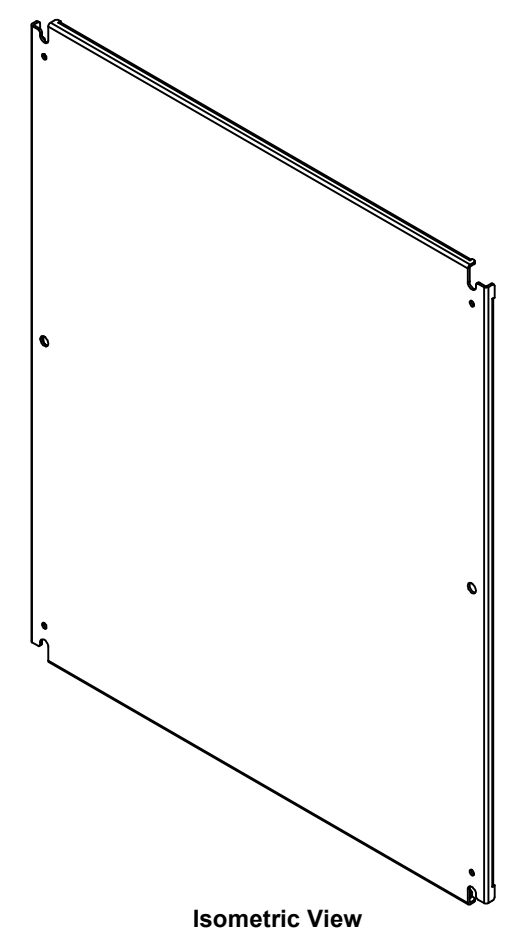
This drawing is confidential and must not be reproduced or used without the consent of EXM

Ce dessin est confidentiel et ne doit pas être reproduit ou utilisé sans le consentement de EXM

| Table 1 | | | FRONT VIEW |
|---------|--------|--------|----------------------------|
| CUT-OUT | XDIM | YDIM | DESCRIPTION |
| 1 | 0.875 | 1.875 | GROUND HOLE (RND Ø0.290) |
| 2 | 27.125 | 1.875 | GROUND HOLE (RND Ø0.290) |
| 3 | 0.875 | 32.125 | GROUND HOLE (RND Ø0.290) |
| 4 | 27.125 | 32.125 | GROUND HOLE (RND Ø0.290) |
| 5 | 0.875 | 17.000 | MTG STUD HOLE (RND Ø0.500) |
| 6 | 27.125 | 17.000 | MTG STUD HOLE (RND Ø0.500) |

All knockouts are actual size / Les disques défonçables sont grandeur réel

| No. | Revisions | Date | By/Par |
|-----|-----------|------|--------|
| | | | |
| | | | |
| | | | |
| | | | |
| | | | |



| | | |
|--|--------------------------------|------------------------------|
| Tél: (450) 979-4373 Fax: (450) 979-4626 www.exmweb.com | | Flatness Aplatissement |
| | | Max 3.0mm |
| Projection | | Date 23-Jan-07 |
| Customer Client | Drawn By Dessiné Par BoxCad | Date 23-Jan-07 |
| Material Matière See Part List | | |
| Color Couleur | See Part List | Finish Fini See Part List |
| Description 881 SP - Inner Panel | | Detail Rev. |
| Part Number Numéro Pièce 881 SP3630G | | Rev. 2 0 |