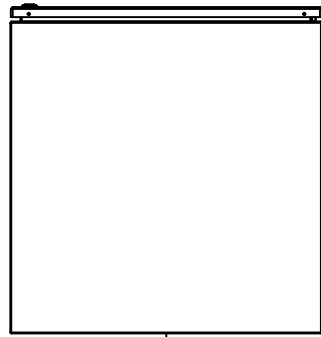
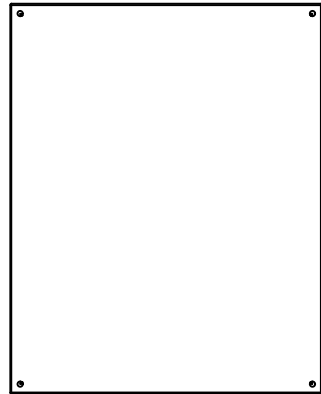


This drawing is confidential and must not be reproduced or used without the consent of EXM

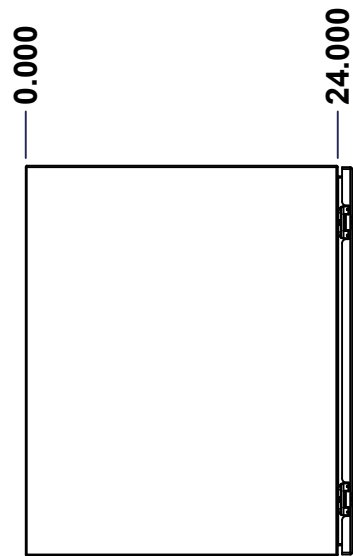
Ce dessin est confidentiel et ne doit pas être reproduit ou utilisé sans le consentement de EXM



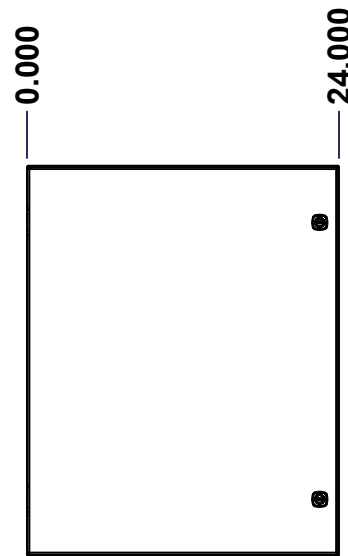
TOP



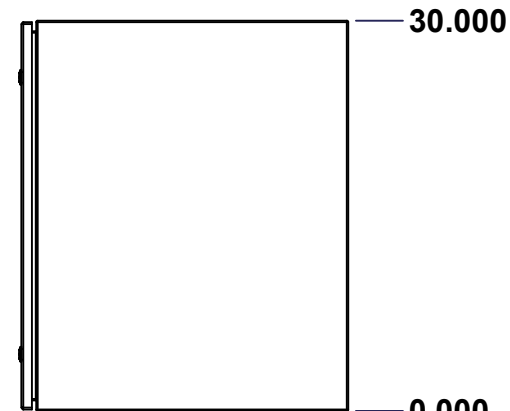
BACK



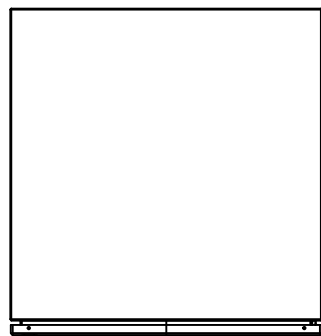
LEFT



FRONT

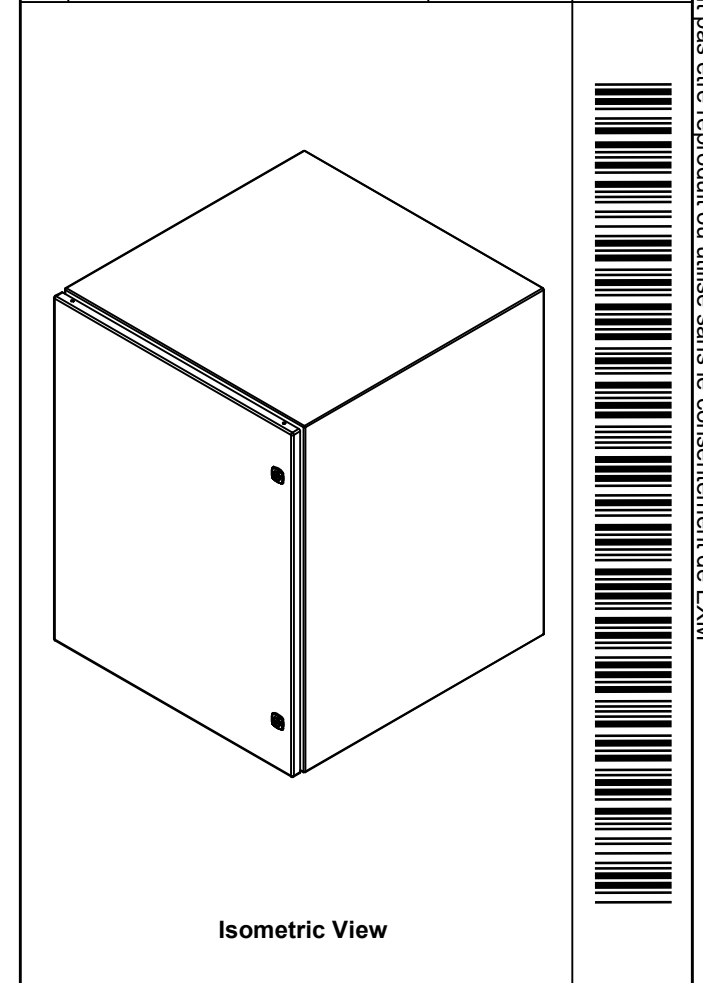



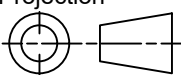
RIGHT



BOTTOM

| No. | Revisions | Date | By/Par |
|-----|-----------|------|--------|
|     |           |      |        |
|     |           |      |        |
|     |           |      |        |
|     |           |      |        |
|     |           |      |        |



|  |   |   |
|--|---|---|
|  Tél: (450) 979-4373<br>Fax: (450) 979-4626<br><a href="http://www.exmweb.com">www.exmweb.com</a> |   | Flatness<br>Aplatissement<br>Max 3.0mm<br>Projection<br> |
| Customer Client  | Date                                      |   |
| Drawn By<br>Dessiné Par  | BoxCad: BoxCad                            | Date 14-Apr-17  |
| Material<br>Matière  | 14 Ga Cold Rolled A1008 CS Type B (1.7mm) |   |
| Color<br>Couleur   | Light Grey RAL7035                        | Finish<br>Fini Textured   |
| Description  | Detail Rev.                               |   |
| 5412ES 30" x 24" x 24" Assembly  |   |   |
| Part Number<br>Numéro Pièce  | Rev.                                      | 1   |
| <b>5412ESB302424</b>   | <b>0</b>                                  | 9   |

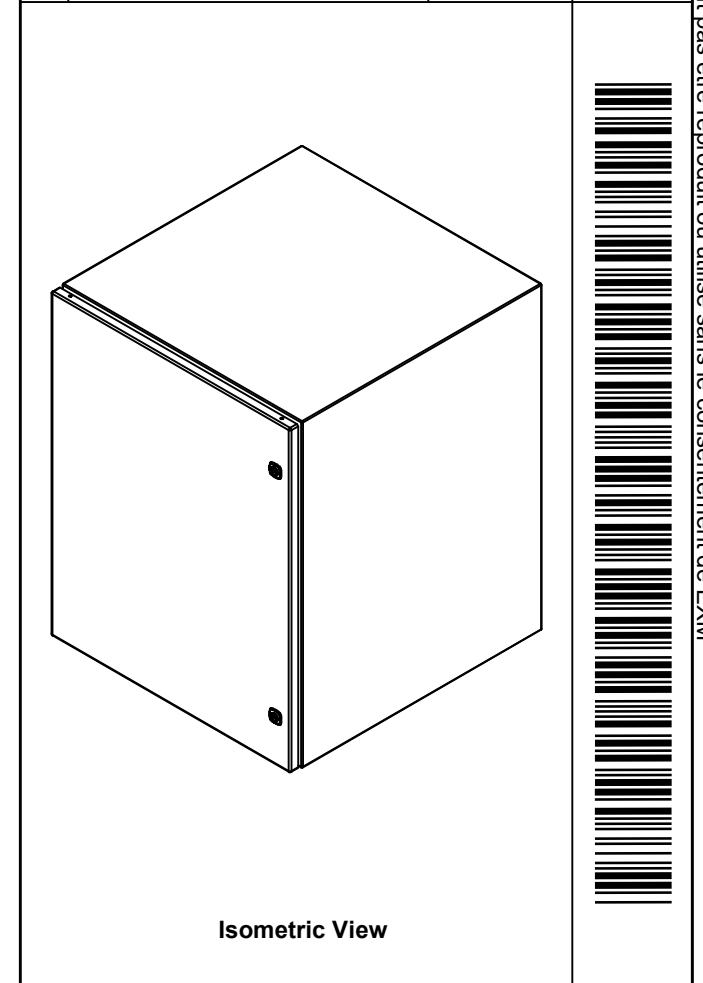
**SEE BILL OF MATERIAL ON LAST PAGE**


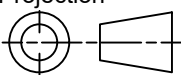
This drawing is confidential and must not be reproduced or used without the consent of EXM

Ce dessin est confidentiel et ne doit pas être reproduit ou utilisé sans le consentement de EXM

| NOTE |  |
|------|--|
| ITEM | DESCRIPTION                                |
| 1    | NEMA 4, 12 Enclosure (IP66)                |
| 2    | C/W Standard ground studs on box and cover |
| 3    | C/W Standard door stiffener                |
| 4    | C/W Standard inner panel (Included)        |
| 5    | C/W Standard inner panel mounting studs    |

| No. | Revisions | Date | By/Par |
|-----|-----------|------|--------|
|     |           |      |        |
|     |           |      |        |
|     |           |      |        |
|     |           |      |        |
|     |           |      |        |
|     |           |      |        |



|  |   |
|--|---|
|  Tél: (450) 979-4373<br>Fax: (450) 979-4626<br><a href="http://www.exmweb.com">www.exmweb.com</a> | Flatness<br>Aplatissement   |
|  | Max 3.0mm   |
| Projection   |  |
| Customer Client  | Date  |
| Drawn By<br>Dessiné Par BoxCad: BoxCad   | Date 14-Apr-17  |
| Material<br>Matière 14 Ga Cold Rolled A1008 CS Type B (1.7mm)  |   |

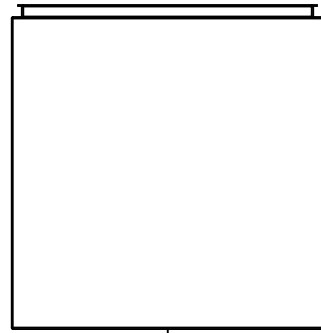
| PACKING               |     |  |
|-----------------------|-----|--|
| ITEM                  | QTY | DESCRIPTION                                |
| Cardboard sleeve      | 2   | Top and Bottom                             |
| Cardboard strip       | 2   | Between back of enclosure and inner panel  |
| Plastic bag           | 1   | To protect cover surface and inside gasket |
| Plastic strap - Black | 2   | To Squeeze the 2 cardboard sleeve together |
| Packaging label       | 1   | White label with product number            |

|            |                |     |  |
|------------|----------------|-----|--|
| 1          | 881 SP3024G    | 0   | 881 SP - Inner Panel                       |
| 2          | STK-K-01320    | 0   | 5412 ES Inner Panel Accessory Kit          |
| 1          | STK-K-01800    | 5   | 5412 ES Accessory Kit                      |
| 1          | 5412ESB302424C | 0   | 5412ES 30" x 24" Cover                     |
| 1          | 5412ESB302424B | 0   | 5412ES 30" x 24" x 24" Body                |
| 2          | STK-Q-04050-08 | 0   | M6 x 8mm Hexagon Socket Head Machine Screw |
| Qty        | Part Number    | Rev | Description                                |
| Parts List |                |     |  |

|   |                         |
|---|-------------------------|
| Color<br>Couleur Light Grey RAL7035                 | Finish<br>Fini Textured |
| Description<br>5412ES 30" x 24" x 24" Assembly      | Detail Rev.             |
| Part Number<br>Numéro Pièce<br><b>5412ESB302424</b> | Rev. 2<br><b>0</b>      |

This drawing is confidential and must not be reproduced or used without the consent of EXM

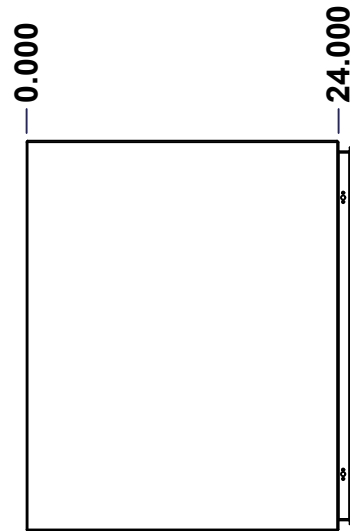
Ce dessin est confidentiel et ne doit pas être reproduit ou utilisé sans le consentement de EXM



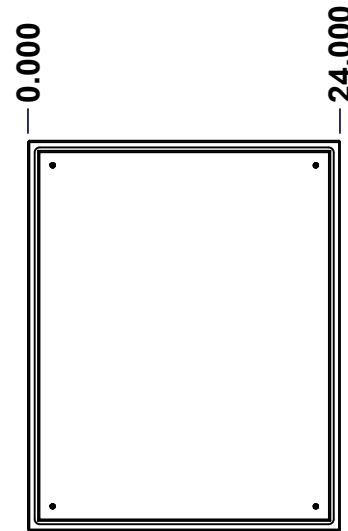
TOP



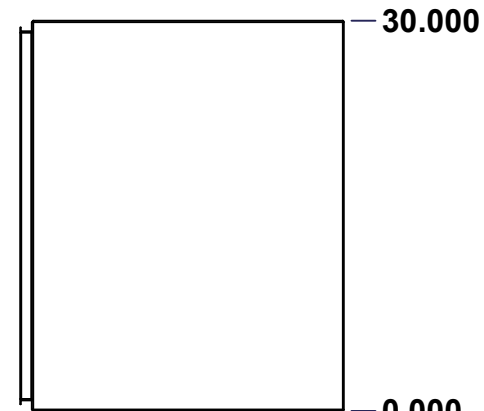
BACK



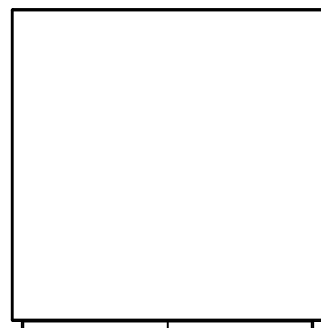
LEFT



FRONT

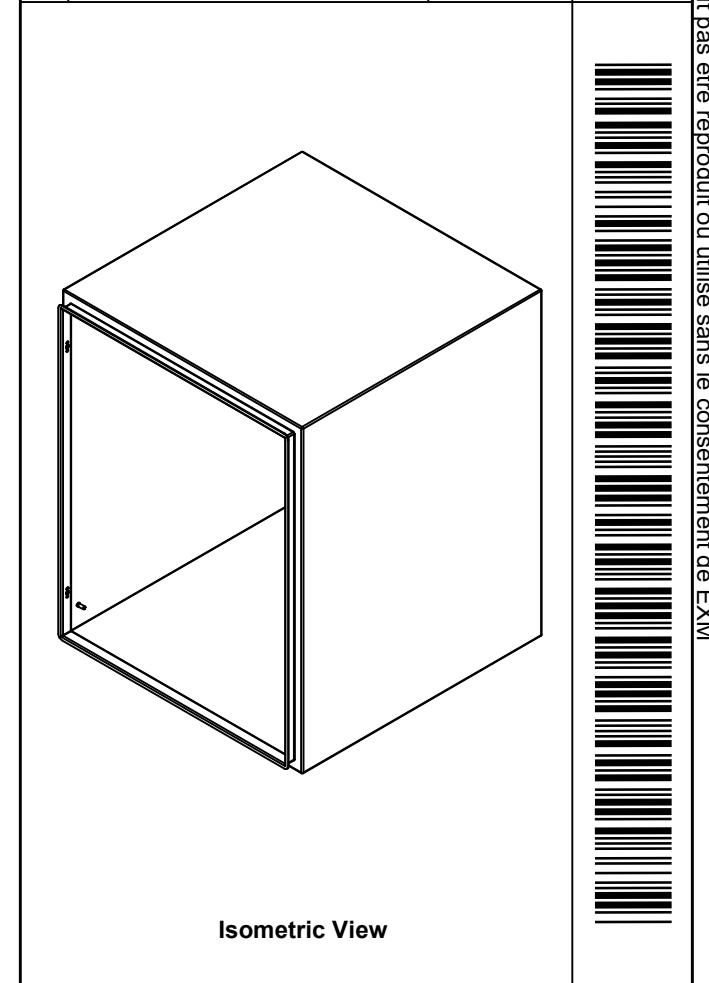


RIGHT


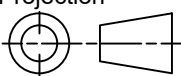


BOTTOM

| No. | Revisions | Date | By/Par |
|-----|-----------|------|--------|
|     |           |      |        |
|     |           |      |        |
|     |           |      |        |
|     |           |      |        |
|     |           |      |        |



Isometric View

|  |   |   |
|--|---|---|
|  Tél: (450) 979-4373<br>Fax: (450) 979-4626<br><a href="http://www.exmweb.com">www.exmweb.com</a> |   | Flatness<br>Aplatissement<br>Max 3.0mm<br>Projection<br> |
| Customer Client  | Date                                      |   |
| Drawn By<br>Dessiné Par  | BoxCad: BoxCad                            | Date 14-Apr-17  |
| Material<br>Matière  | 14 Ga Cold Rolled A1008 CS Type B (1.7mm) |   |
| Color<br>Couleur   | Light Grey RAL7035                        | Finish<br>Fini Textured   |
| Description  |   | Detail Rev.   |
| 5412ES 30" x 24" x 24" Body  |   |   |
| Part Number<br>Numéro Pièce  | Rev.                                      | 3   |
| SEE BILL OF MATERIAL ON LAST PAGE  | 5412ESB302424B                            | 0   |

SEE BILL OF MATERIAL ON LAST PAGE

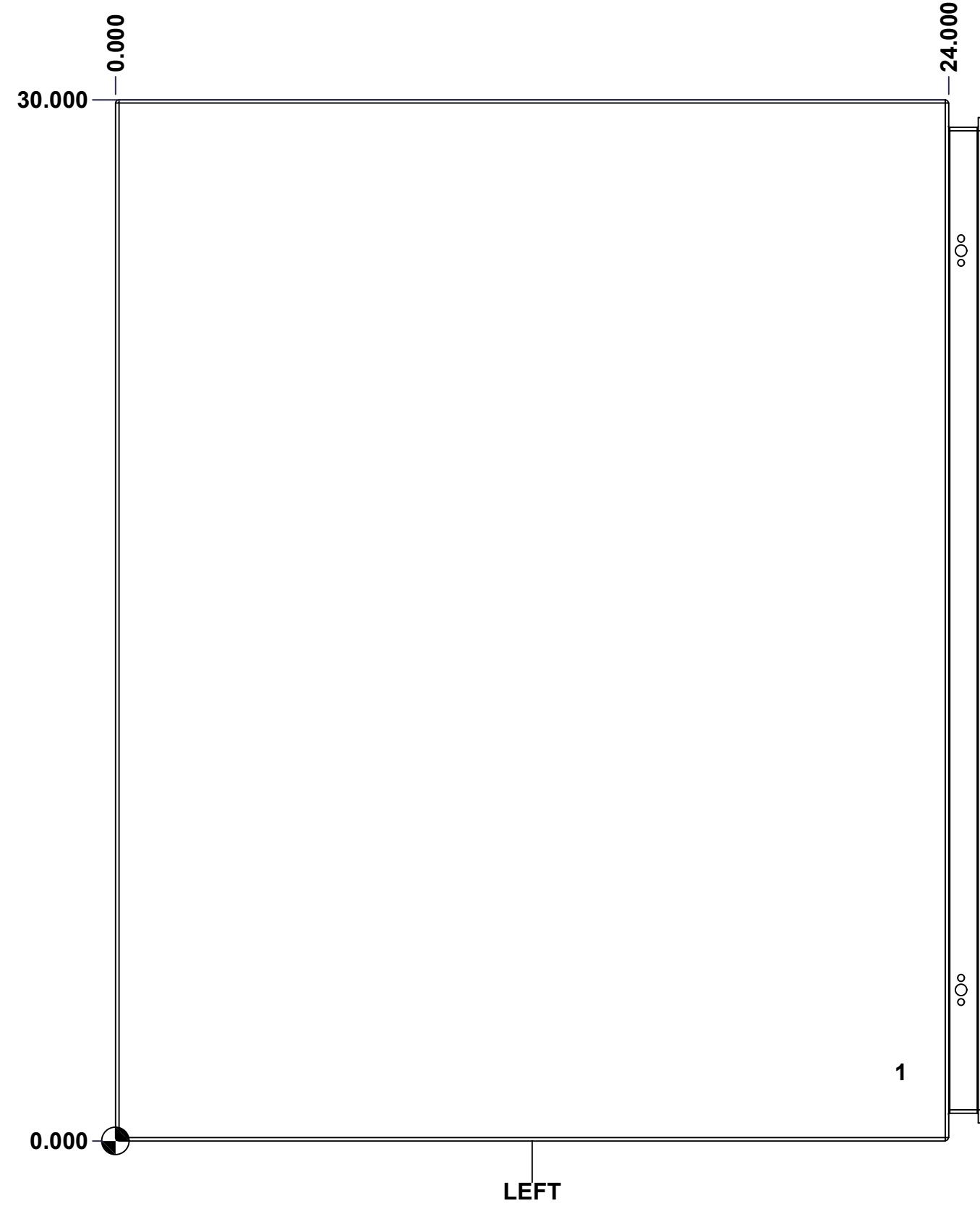
5412ESB302424B

Rev. 0 3 9

This drawing is confidential and must not be reproduced or used without the consent of EXM

Ce dessin est confidentiel et ne doit pas être reproduit ou utilisé sans le consentement de EXM

| <b>STANDARD FEATURES ARE NOT LISTED IN THIS HOLE TABLE</b> |        |       |                             |
|--|--------|-------|-----------------------------|
| <b>HOLE TABLE - LEFT VIEW (CUSTOM FEATURE ONLY)</b>        |        |       |                             |
| CUT-OUT  | XDIM   | YDIM  | DESCRIPTION                 |
| 1  | 22.500 | 2.000 | GND STUD M6 x 16mm (Inside) |



|  |                             |          |     |
|--|-----------------------------|----------|-----|
|  | Description                 | Status   |     |
|  | 5412ES 30" x 24" x 24" Body | (NULL)   |     |
|  | Part Number<br>Numéro Pièce | Rev.     |     |
|  | <b>5412ESB302424B</b>       | <b>0</b> | 4/9 |

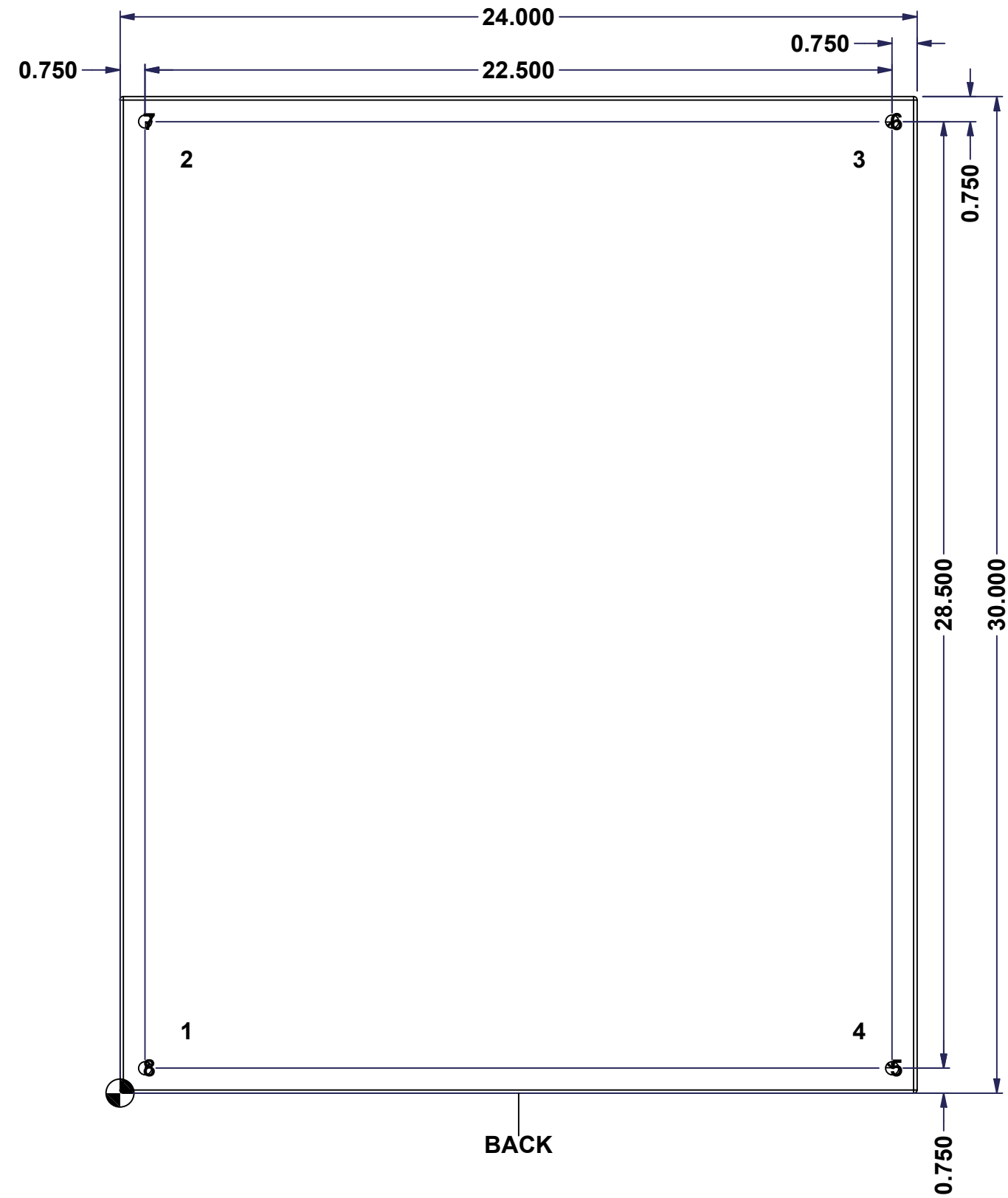
This drawing is confidential and must not be reproduced or used without the consent of EXM

Ce dessin est confidentiel et ne doit pas être reproduit ou utilisé sans le consentement de EXM

**STANDARD FEATURES ARE NOT LISTED IN THIS HOLE TABLE**

**HOLE TABLE - BACK VIEW (CUSTOM FEATURE ONLY)**

| CUT-OUT | XDIM   | YDIM   | DESCRIPTION                |
|---------|--------|--------|----------------------------|
| 1       | 1.875  | 1.875  | IP STUD M8 x 35mm (Inside) |
| 2       | 1.875  | 28.125 | IP STUD M8 x 35mm (Inside) |
| 3       | 22.125 | 28.125 | IP STUD M8 x 35mm (Inside) |
| 4       | 22.125 | 1.875  | IP STUD M8 x 35mm (Inside) |
| -----   |        |        |                            |
| 5       | 23.250 | 0.750  | RND Ø0.390                 |
| 6       | 23.250 | 29.250 | RND Ø0.390                 |
| 7       | 0.750  | 29.250 | RND Ø0.390                 |
| 8       | 0.750  | 0.750  | RND Ø0.390                 |

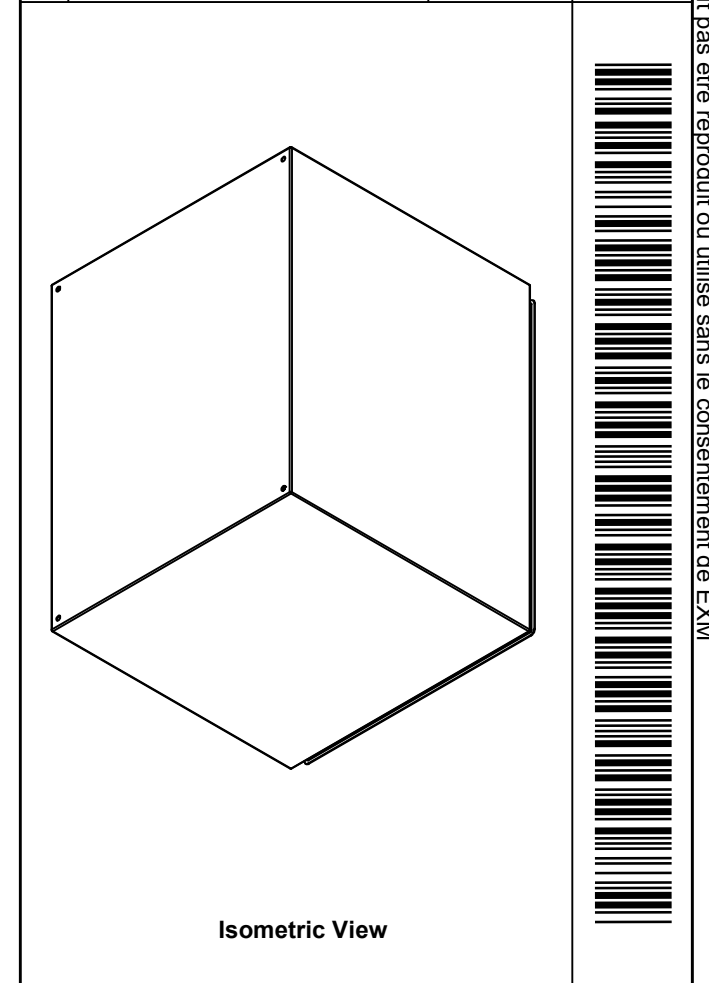



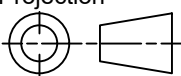
|  |                             |          |
|--|-----------------------------|----------|
|  | Description                 | Status   |
|  | 5412ES 30" x 24" x 24" Body | (NULL)   |
|  | Part Number                 | Rev.     |
|  | Numéro Pièce                | 5        |
|  | <b>5412ESB302424B</b>       | <b>0</b> |
|  |                             | 9        |

This drawing is confidential and must not be reproduced or used without the consent of EXM

Ce dessin est confidentiel et ne doit pas être reproduit ou utilisé sans le consentement de EXM

| No. | Revisions | Date | By/Par |
|-----|-----------|------|--------|
|     |           |      |        |
|     |           |      |        |
|     |           |      |        |
|     |           |      |        |
|     |           |      |        |

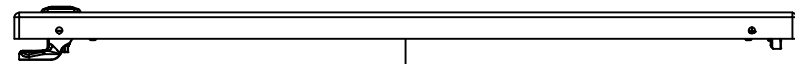


|  |   |   |
|--|---|---|
|  Tél: (450) 979-4373<br>Fax: (450) 979-4626<br><a href="http://www.exmweb.com">www.exmweb.com</a> |   | Flatness<br>Aplatissement<br>Max 3.0mm<br>Projection<br> |
| Customer<br>Client   | Date                                      |   |
| Drawn By<br>Dessiné Par  | BoxCad: BoxCad                            | Date 14-Apr-17  |
| Material<br>Matière  | 14 Ga Cold Rolled A1008 CS Type B (1.7mm) |   |
| Color<br>Couleur   | Light Grey RAL7035                        | Finish<br>Fini Textured   |
| Description  |   | Detail Rev.   |
| 5412ES 30" x 24" x 24" Body  |   |   |
| Part Number<br>Numéro Pièce  | Rev.                                      | 6   |
| <b>5412ESB302424B</b>  | <b>0</b>                                  | 9   |

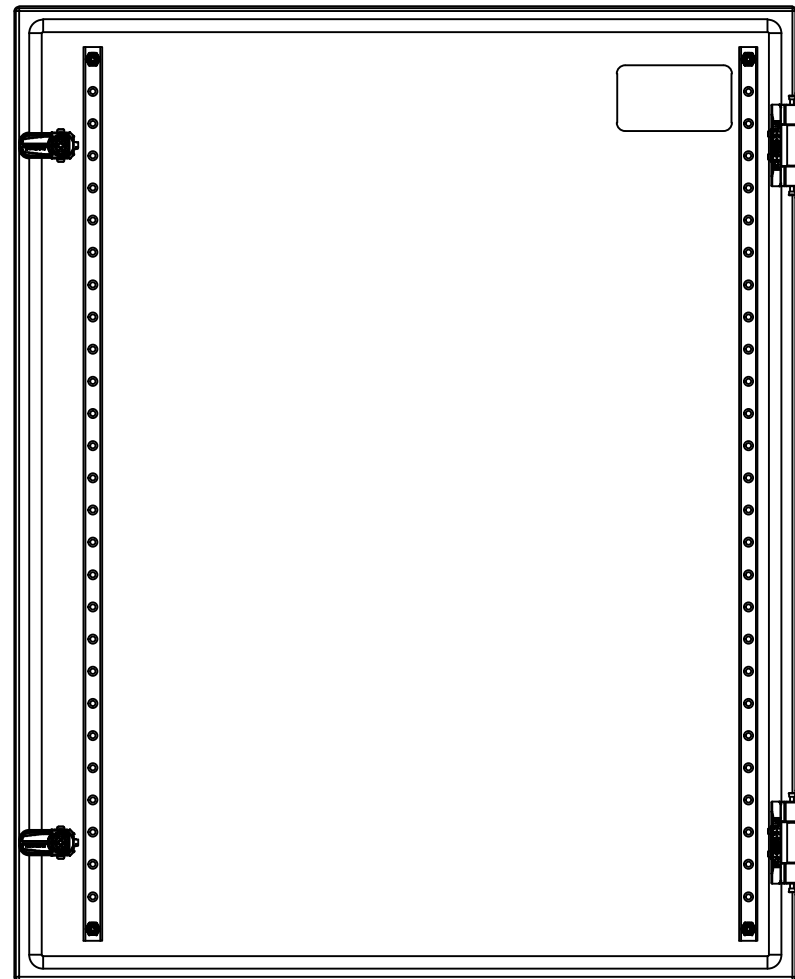
| Qty        | Part Number      | Rev | Description                                |
|------------|------------------|-----|--|
| 1          | STK-Q-16080      | 0   | Ground Stud M6 x 16mm Steel                |
| 1          | STK-P-03820R     | 0   | Powder Paint (Light Grey / Rough Textured) |
| 4          | STK-Q-16005      | 1   | Stud M8 x 35mm (No Paint Cap Required)     |
| 1          | 5412ESB302424B-P | 0   | 5412ES 30" x 24" x 24" Body Part           |
| Parts List |                  |     |  |

This drawing is confidential and must not be reproduced or used without the consent of EXM

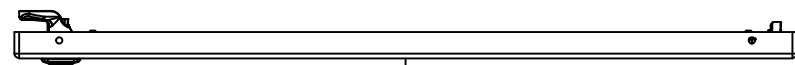
Ce dessin est confidentiel et ne doit pas être reproduit ou utilisé sans le consentement de EXM



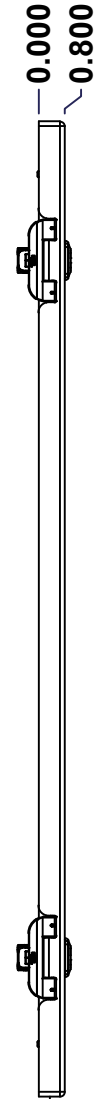
TOP



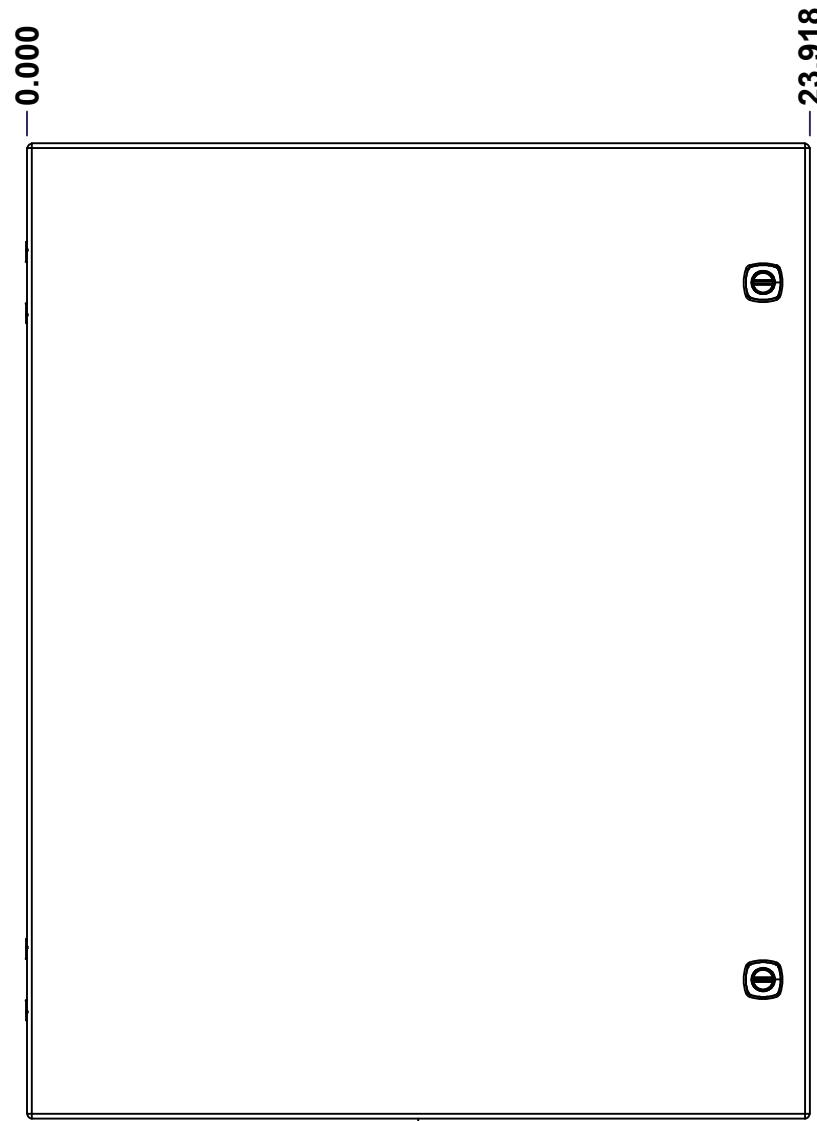
BACK



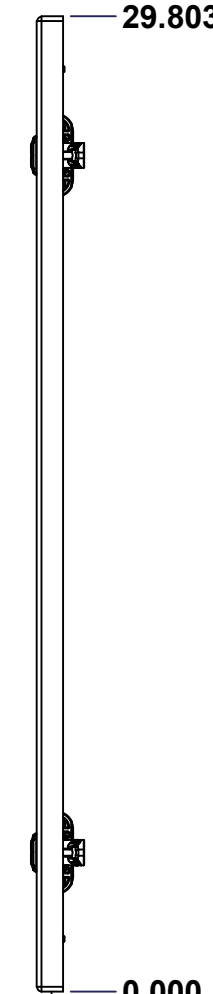
BOTTOM



LEFT

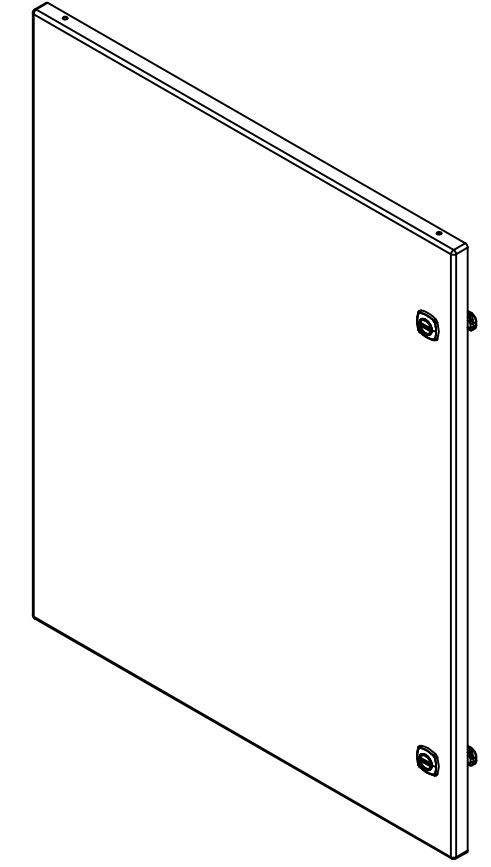


FRONT



RIGHT

| No. | Revisions | Date | By/Par |
|-----|-----------|------|--------|
|     |           |      |        |
|     |           |      |        |
|     |           |      |        |
|     |           |      |        |
|     |           |      |        |



Isometric View



Tél: (450) 979-4373  
 Fax: (450) 979-4626  
[www.exmweb.com](http://www.exmweb.com)

Flatness  
Aplatissement  
Max 3.0mm  
Projection

|   |                         |
|---|-------------------------|
| Customer Client   | Date                    |
| Drawn By<br>Dessiné Par BoxCad: BoxCad                        | Date 14-Apr-17          |
| Material<br>Matière 16 Ga Cold Rolled A1008 CS Type B (1.4mm) |                         |
| Color<br>Couleur Light Grey RAL7035                           | Finish<br>Fini Textured |
| Description<br>5412ES 30" x 24" Cover                         | Detail Rev.             |
| Part Number<br>Numéro Pièce <b>5412ESB302424C</b>             | Rev. 7<br><b>0</b>      |

SEE BILL OF MATERIAL ON LAST PAGE

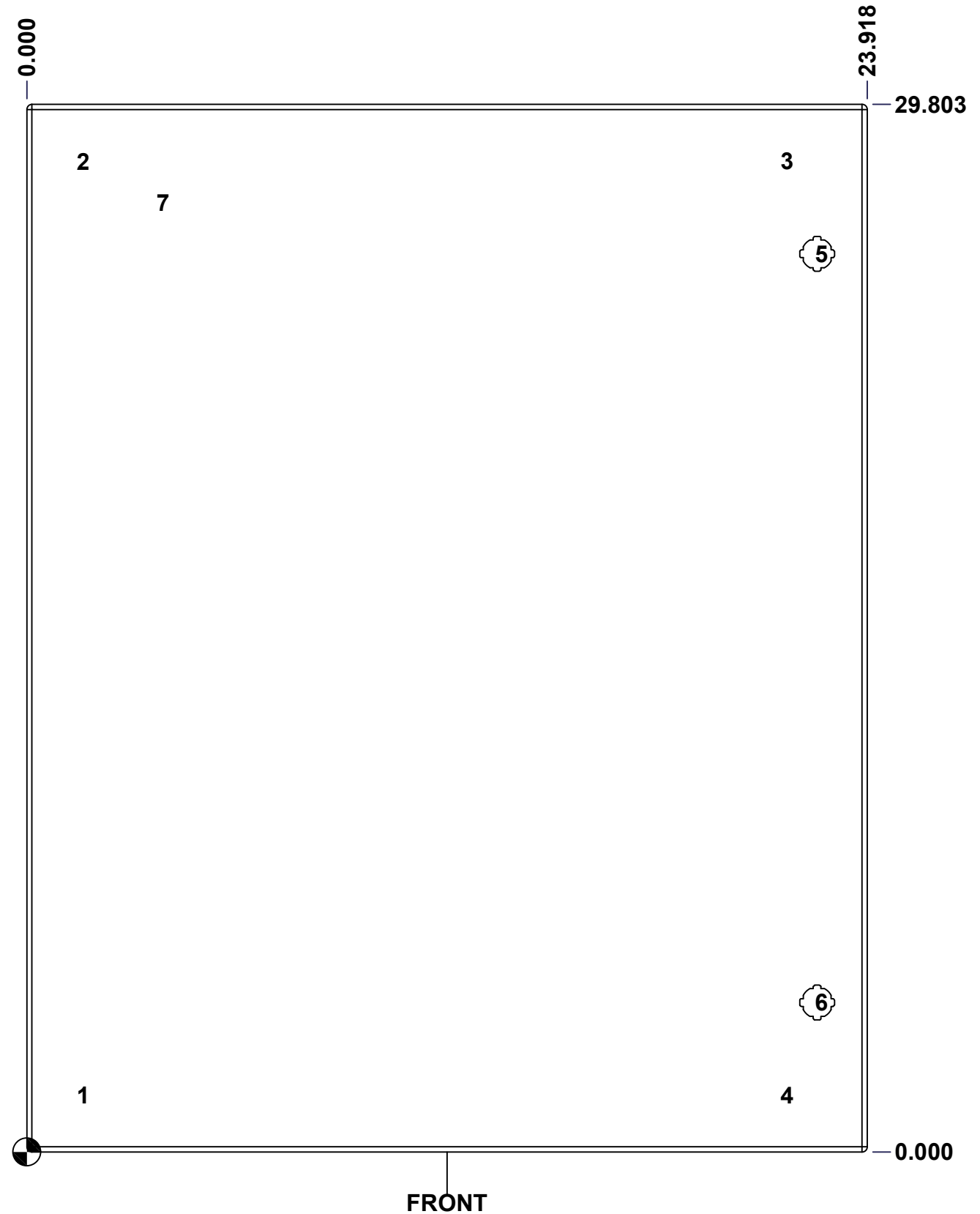
This drawing is confidential and must not be reproduced or used without the consent of EXM

Ce dessin est confidentiel et ne doit pas être reproduit ou utilisé sans le consentement de EXM

**STANDARD FEATURES ARE NOT LISTED IN THIS HOLE TABLE**

**HOLE TABLE - FRONT VIEW (CUSTOM FEATURE ONLY)**

| CUT-OUT | XDIM   | YDIM   | DESCRIPTION             |
|---------|--------|--------|-------------------------|
| 1       | 1.486  | 1.614  | STUD M6 x 18mm (Inside) |
| 2       | 1.486  | 28.189 | STUD M6 x 18mm (Inside) |
| 3       | 21.517 | 28.189 | STUD M6 x 18mm (Inside) |
| 4       | 21.517 | 1.614  | STUD M6 x 18mm (Inside) |
| -----   |        |        |                         |
| 5       | 22.494 | 25.553 | LOCK 880 SCQ4-SL @ 0.0° |
| 6       | 22.494 | 4.250  | LOCK 880 SCQ4-SL @ 0.0° |
| 7       | 3.750  | 27.000 | LABEL_EXM (Inside)      |



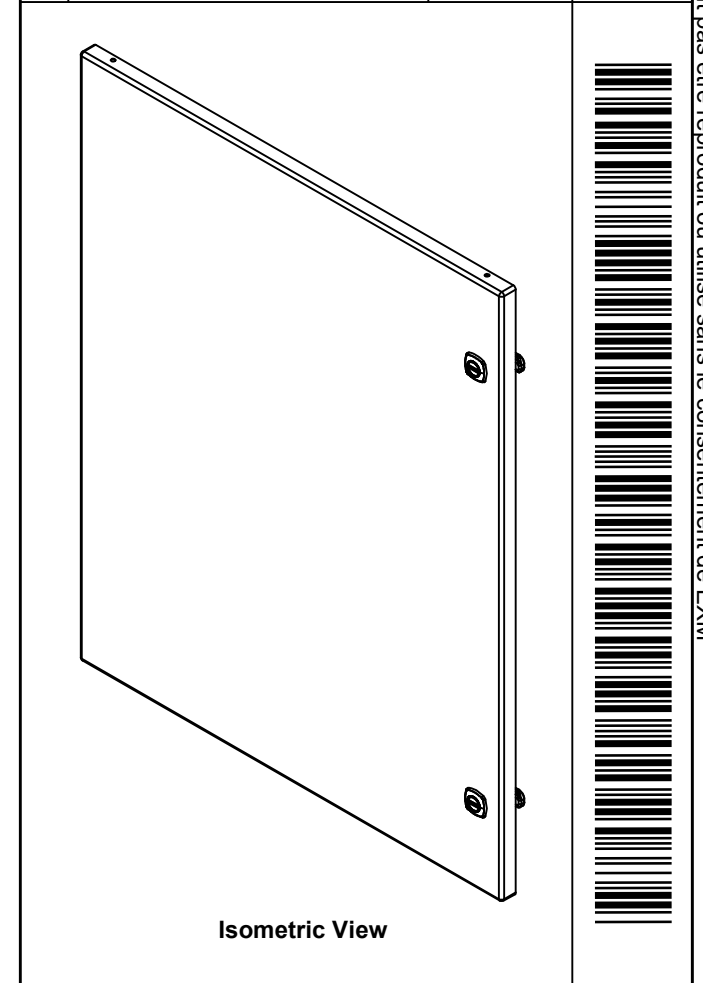
FRONT

|  |                             |          |
|--|-----------------------------|----------|
|  | Description                 | Status   |
|  | 5412ES 30" x 24" Cover      | (NULL)   |
|  | Part Number<br>Numéro Pièce | Rev.     |
|  | <b>5412ESB302424C</b>       | <b>0</b> |
|  |                             | 8        |
|  |                             | 9        |

This drawing is confidential and must not be reproduced or used without the consent of EXM

Ce dessin est confidentiel et ne doit pas être reproduit ou utilisé sans le consentement de EXM

| No. | Revisions | Date | By/Par |
|-----|-----------|------|--------|
|     |           |      |        |
|     |           |      |        |
|     |           |      |        |
|     |           |      |        |
|     |           |      |        |



**EXM**  
www.exmweb.com

Tél: (450) 979-4373  
Fax: (450) 979-4626

Flatness  
Aplatissement  
Max 3.0mm

Projection

|                         |   |
|-------------------------|---|
| Customer Client         | Date                                      |
| Drawn By<br>Dessiné Par | Date 14-Apr-17                            |
| Material<br>Matière     | 16 Ga Cold Rolled A1008 CS Type B (1.4mm) |

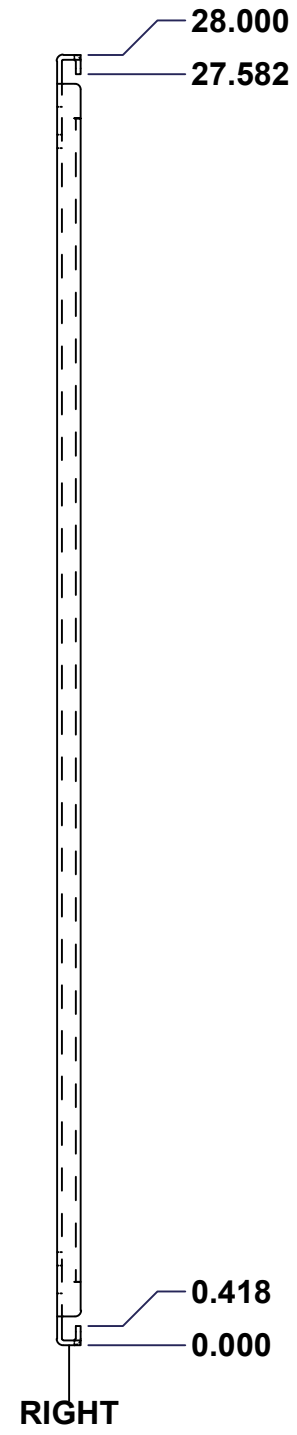
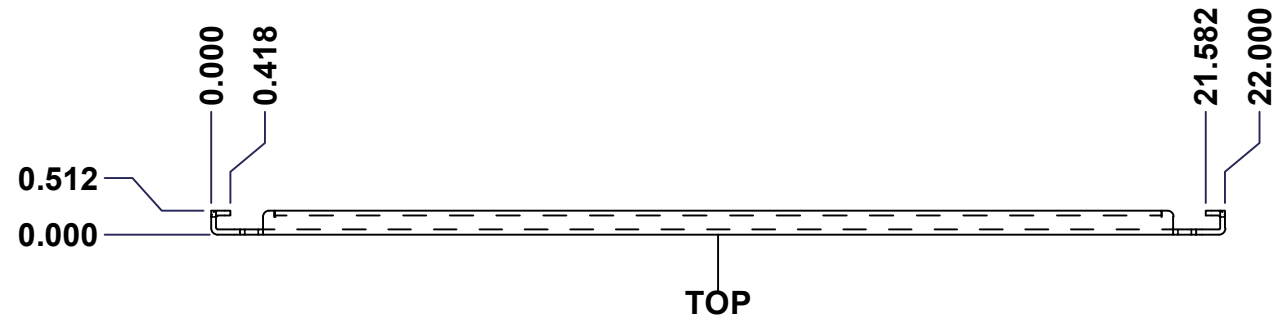
|                        |                    |                |          |
|------------------------|--------------------|----------------|----------|
| Color<br>Couleur       | Light Grey RAL7035 | Finish<br>Fini | Textured |
| Description            |                    | Detail Rev.    |          |
| 5412ES 30" x 24" Cover |                    |                |          |

|                             |          |   |
|-----------------------------|----------|---|
| Part Number<br>Numéro Pièce | Rev.     | 9 |
| <b>5412ESB302424C</b>       | <b>0</b> | 9 |

| QTY        | Part Number      | Rev | Description                                |
|------------|------------------|-----|--|
| 1          | STK-S-00100      | 0   | 3.5" x 2" Silver Milar Flexcon Sticker     |
| 2          | STK-K-12500      | 19  | 5412 ES 1/4 Turn Lock                      |
| 1          | STK-P-03820R     | 0   | Powder Paint (Light Grey / Rough Textured) |
| 2          | STK-Q-46020-30   | 6   | 5412 ES Vertical Door Stiffener 30"        |
| 4          | STK-Q-16055      | 1   | M6 x 18mm Stud (No Paint Cap Required)     |
| 1          | 5412ESB302424G   | 0   | 5412ES 30" x 24" Cover Gasket Part         |
| 1          | 5412ESB302424C-P | 0   | 5412ES 30" x 24" Cover Part                |
| 2          | STK-K-09800      | 10  | 5412 ES Hinge with 2 Captive Hinge Pins    |
| 4          | STK-Q-07220      | 1   | M6 Nylon Insert Lock Nut                   |
| Parts List |                  |     |  |

This drawing is confidential and must not be reproduced or used without the consent of EXM

Ce dessin est confidentiel et ne doit pas être reproduit ou utilisé sans le consentement de EXM



| No. | Revisions | Date | By/Par |
|-----|-----------|------|--------|
|     |           |      |        |
|     |           |      |        |
|     |           |      |        |
|     |           |      |        |
|     |           |      |        |

**Isometric View**

|  |  |
|--|--|
| Tél: (450) 979-4373<br>Fax: (450) 979-4626<br>www.exmweb.com | Flatness<br>Aplatissement<br>Max 3.0mm |
|  | Projection<br>                         |
| Customer Client  | Date                                   |
| Drawn By / Dessiné Par: BoxCad                               | Date: 23-Jan-07                        |
| Material / Matière: See Part List                            |  |
| Color / Couleur: See Part List                               | Finish / Fini: See Part List           |
| Description: 881 SP - Inner Panel                            |  |
| Detail Rev.  |  |
| Part Number / Numéro Pièce: <b>881 SP3024G</b>               | Rev. 0                                 |

| Qty | Part Number   | Rev | Description               | Material         | Color     | Finish     |
|-----|---------------|-----|---------------------------|------------------|-----------|------------|
| 1   | 881 SP3024G-P | 0   | 881 SP - Inner Panel Part | 12 Ga Galvanized | Unpainted | Galvanized |

Parts List

This drawing is confidential and must not be reproduced or used without the consent of EXM

Ce dessin est confidentiel et ne doit pas être reproduit ou utilisé sans le consentement de EXM

| Table 1 |        |        | FRONT VIEW               |
|---------|--------|--------|--------------------------|
| CUT-OUT | XDIM   | YDIM   | DESCRIPTION              |
| 1       | 0.875  | 1.875  | GROUND HOLE (RND Ø0.290) |
| 2       | 21.125 | 1.875  | GROUND HOLE (RND Ø0.290) |
| 3       | 0.875  | 26.125 | GROUND HOLE (RND Ø0.290) |
| 4       | 21.125 | 26.125 | GROUND HOLE (RND Ø0.290) |

All knockouts are actual size / Les disques défonçables sont grandeur réel

| No. | Revisions | Date | By/Par |
|-----|-----------|------|--------|
|     |           |      |        |
|     |           |      |        |
|     |           |      |        |
|     |           |      |        |
|     |           |      |        |



|                             |  |  |
|-----------------------------|--|--|
|                             | Tél: (450) 979-4373<br>Fax: (450) 979-4626<br>www.exmweb.com | Flatness<br>Aplatissement<br>Max 3.0mm |
|                             |  | Projection<br>                         |
| Customer Client             |  | Date                                   |
| Drawn By<br>Dessiné Par     | BoxCad   | Date 23-Jan-07                         |
| Material<br>Matière         | See Part List  |  |
| Color<br>Couleur            | See Part List  | Finish<br>Fini See Part List           |
| Description                 | 881 SP - Inner Panel   |  |
| Part Number<br>Numéro Pièce | 881 SP3024G  | Detail Rev.<br>Rev. 2<br>0             |