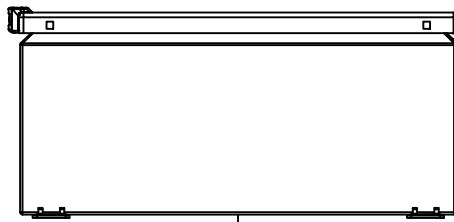
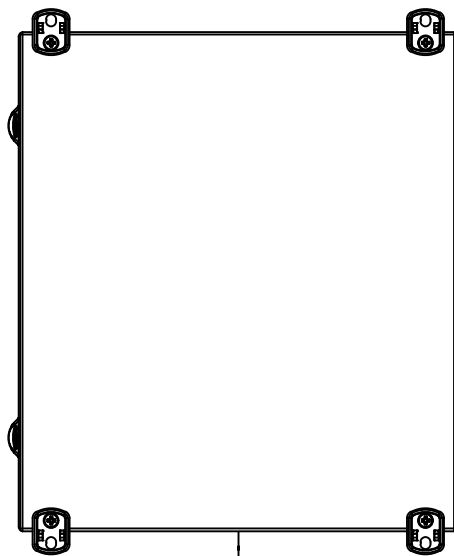


This drawing is confidential and must not be reproduced or used without the consent of EXM

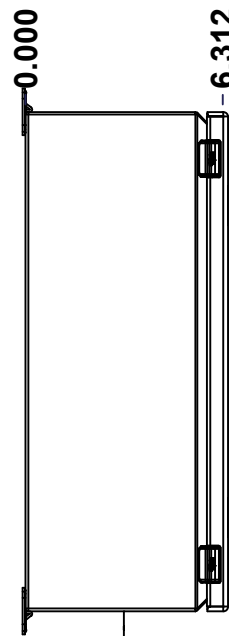
Ce dessin est confidentiel et ne doit pas être reproduit ou utilisé sans le consentement de EXM



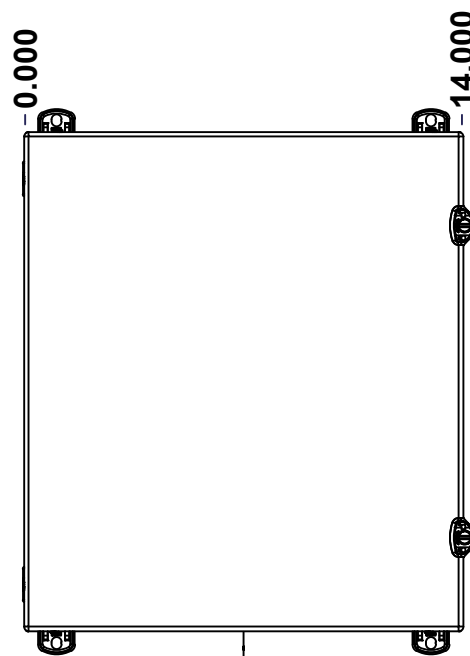
TOP



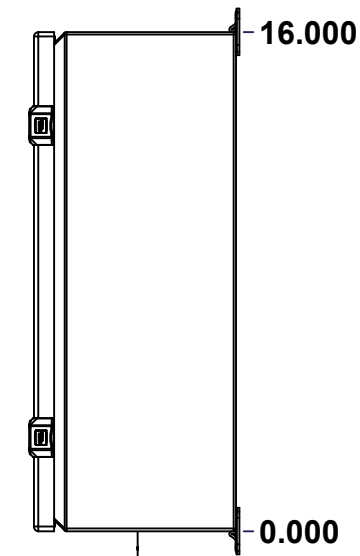
BACK



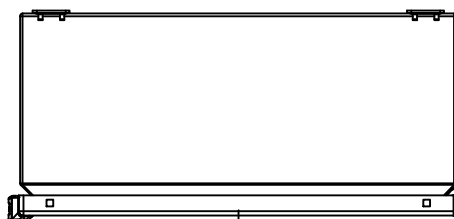
LEFT



FRONT

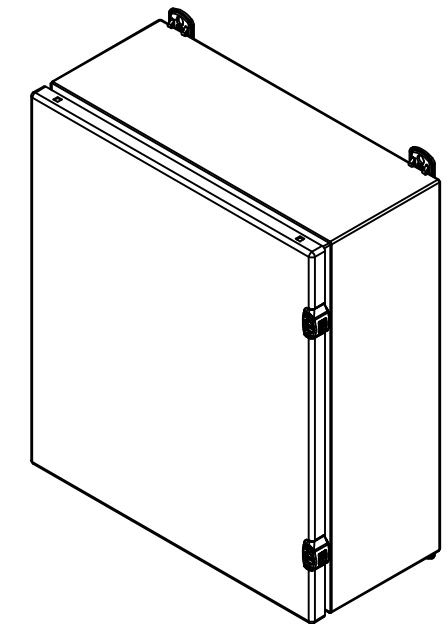


RIGHT



BOTTOM

| No. | Revisions | Date | By/Par |
|-----|-----------|------|--------|
| | | | |
| | | | |
| | | | |
| | | | |



Isometric View

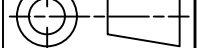


Tél: (450) 979-4373
 Fax: (450) 979-4626
www.exmweb.com

Flatness
Aplatissement

Max 3.0mm

Projection



Customer Client _____ Date _____

Drawn By / Dessiné Par BoxCad: BoxCad Date 20-Nov-13

Material Matière 16 Ga Cold Rolled A1008 CS Type B (1.4mm)

Color Couleur Light Grey RAL7035 Finish Fini Textured

Description 5412ESCHB 16" x 14" x 6" Assembly Detail Rev. _____

Part Number Numéro Pièce **5412ESCHB161406** Rev. **0** / 1 / 9

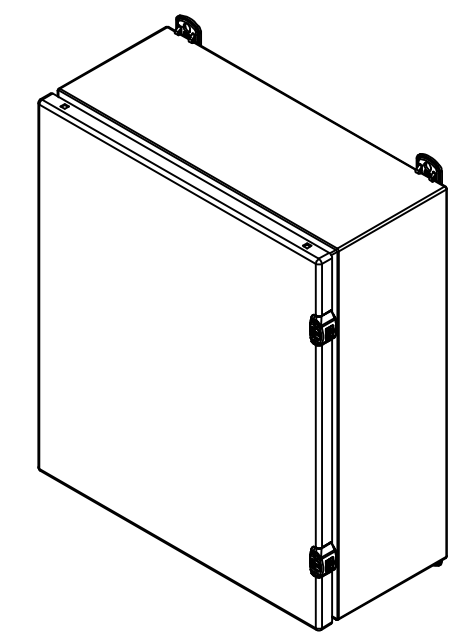
SEE BILL OF MATERIAL ON LAST PAGE

This drawing is confidential and must not be reproduced or used without the consent of EXM

Ce dessin est confidentiel et ne doit pas être reproduit ou utilisé sans le consentement de EXM

| NOTE | |
|------|--|
| ITEM | DESCRIPTION |
| 1 | NEMA 4, 12 Enclosure (IP66) |
| 2 | C/W Standard ground standoffs on box and cover |
| 3 | W/O Standard door stiffener |
| 4 | C/W Standard inner panel (Included) |
| 5 | C/W Standard inner panel mounting standoffs |

| No. | Revisions | Date | By/Par |
|-----|-----------|------|--------|
| | | | |
| | | | |
| | | | |
| | | | |
| | | | |
| | | | |



Isometric View



Tél: (450) 979-4373
 Fax: (450) 979-4626
www.exmweb.com



| | |
|---|-----------------|
| Customer Client | Date |
| Drawn By / Dessiné Par: BoxCad: BoxCad | Date: 20-Nov-13 |
| Material / Matière: 16 Ga Cold Rolled A1008 CS Type B (1.4mm) | |

| | |
|--|-------------------------|
| Color / Couleur: Light Grey RAL7035 | Finish / Fini: Textured |
| Description: 5412ESCHB 16" x 14" x 6" Assembly | Detail Rev. |
| Part Number / Numéro Pièce: 5412ESCHB161406 | Rev. 0 |

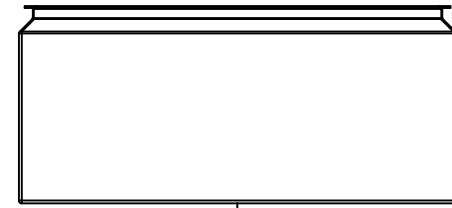
| PACKING | | |
|-----------------|-----|--|
| ITEM | QTY | DESCRIPTION |
| STK-E-04328 | 1 | CARTON 5412 ESCH161406 |
| Plastic bag | 1 | To protect cover surface and inside gasket |
| Packaging label | 1 | White label with product number |
| STK-S-01100 | 1 | ESCH EXM SQUARE STICKER |

| Qty | Part Number | Rev | Description |
|-----|------------------|-----|---|
| 1 | 5412ESCHB161406C | 0 | 5412ESCHB 16" x 14" Cover |
| 1 | 880 SP1614G | 0 | 880 SP1614G - Inner Panel |
| 1 | STK-K-02940 | 2 | 5412 ESCHB Accessory Kit |
| 1 | 5412ESCHB161406B | 0 | 5412ESCHB 16" x 14" x 6" Body |
| 2 | STK-A-08126 | 0 | M5 Stainless Steel 316 Nylon Insert Lock Nut with Incorporated Sealing Washer |

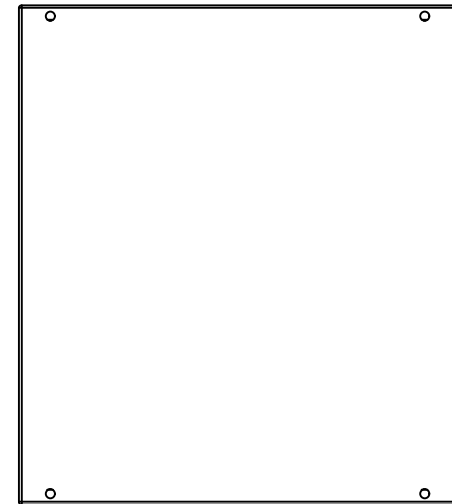
Parts List

This drawing is confidential and must not be reproduced or used without the consent of EXM

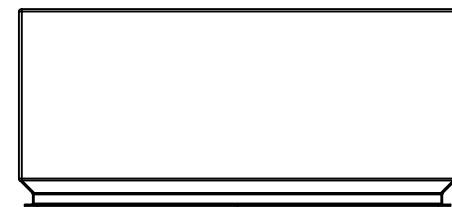
Ce dessin est confidentiel et ne doit pas être reproduit ou utilisé sans le consentement de EXM



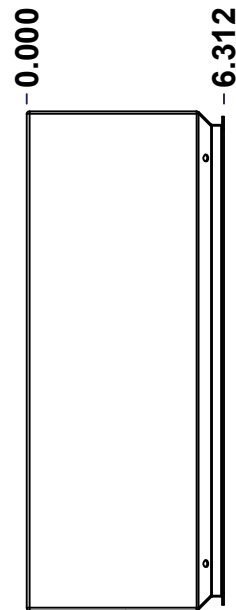
TOP



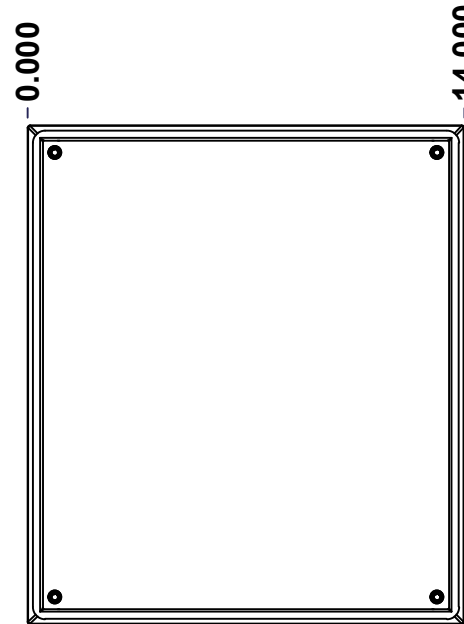
BACK



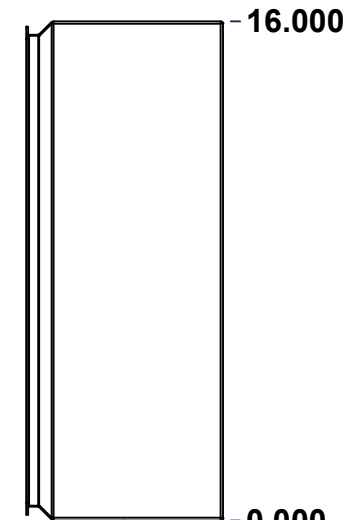
BOTTOM



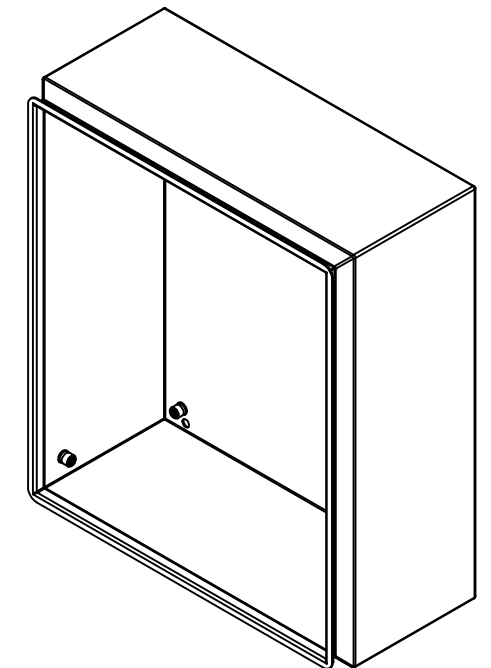
LEFT



FRONT




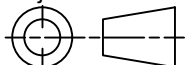
RIGHT



Isometric View



| No. | Revisions | Date | By/Par |
|-----|-----------|------|--------|
| | | | |
| | | | |
| | | | |
| | | | |

| | | |
|--|---|---|
|  Tél: (450) 979-4373 Fax: (450) 979-4626 www.exmweb.com | | Flatness Aplatissement Max 3.0mm Projection  |
| Customer Client | Date | |
| Drawn By Dessiné Par | BoxCad: BoxCad | Date 20-Nov-13 |
| Material Matière | 16 Ga Cold Rolled A1008 CS Type B (1.4mm) | |
| Color Couleur | Light Grey RAL7035 | Finish Fini Textured |
| Description 5412ESCHB 16" x 14" x 6" Body | | Detail Rev. |
| Part Number Numéro Pièce | Rev. 0 | 3 9 |

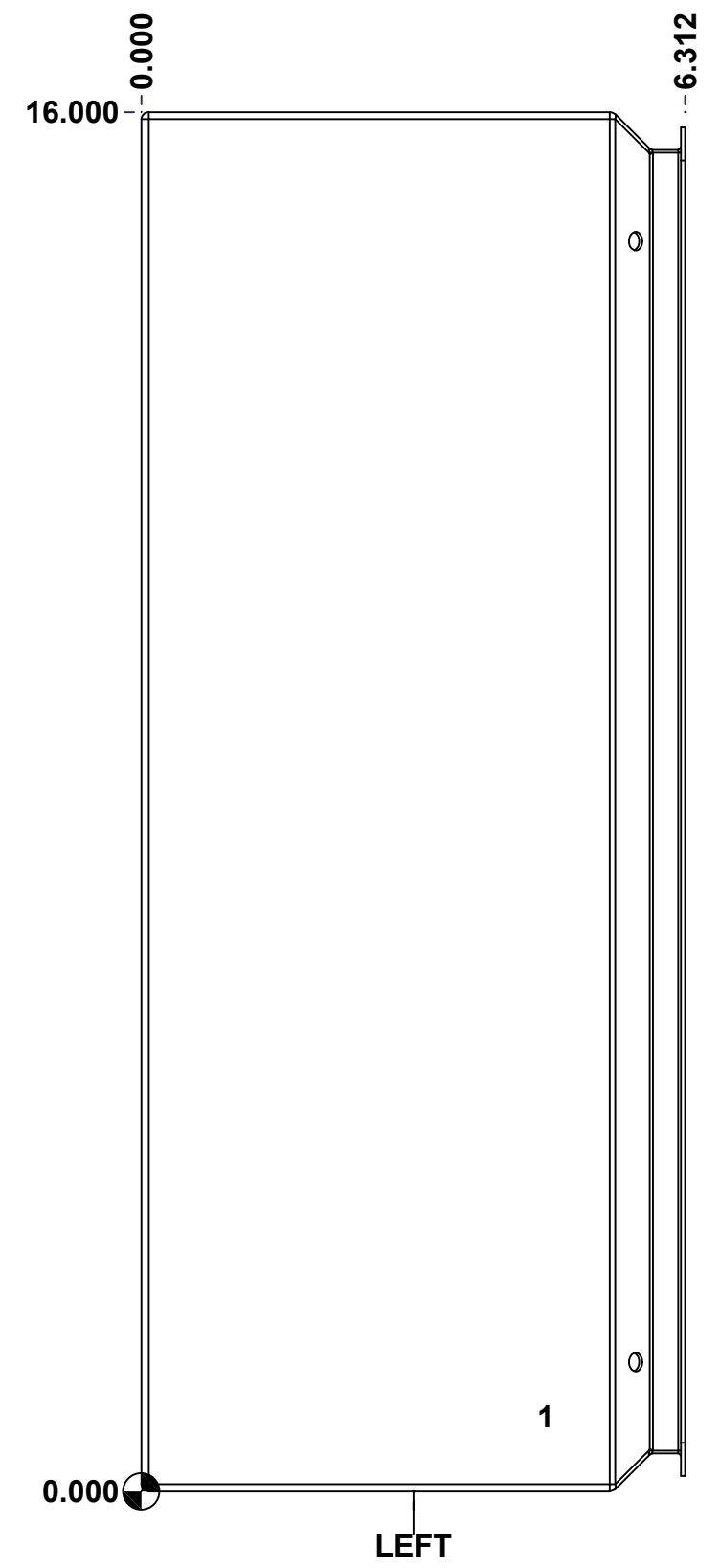
SEE BILL OF MATERIAL ON LAST PAGE

5412ESCHB161406B

This drawing is confidential and must not be reproduced or used without the consent of EXM

Ce dessin est confidentiel et ne doit pas être reproduit ou utilisé sans le consentement de EXM

| STANDARD FEATURES ARE NOT LISTED IN THIS HOLE TABLE | | | |
|--|-------|-------|-----------------------------|
| HOLE TABLE - LEFT VIEW (CUSTOM FEATURE ONLY) | | | |
| CUT-OUT | XDIM | YDIM | DESCRIPTION |
| 1 | 4.625 | 0.875 | STANDOFF M6 x 10mm (Inside) |



| | | | |
|--|-------------------------------|----------|--------|
| | Description | Status | |
| | 5412ESCHB 16" x 14" x 6" Body | (NULL) | |
| | Part Number Numéro Pièce | Rev. | |
| | 5412ESCHB161406B | 0 | 4 9 |

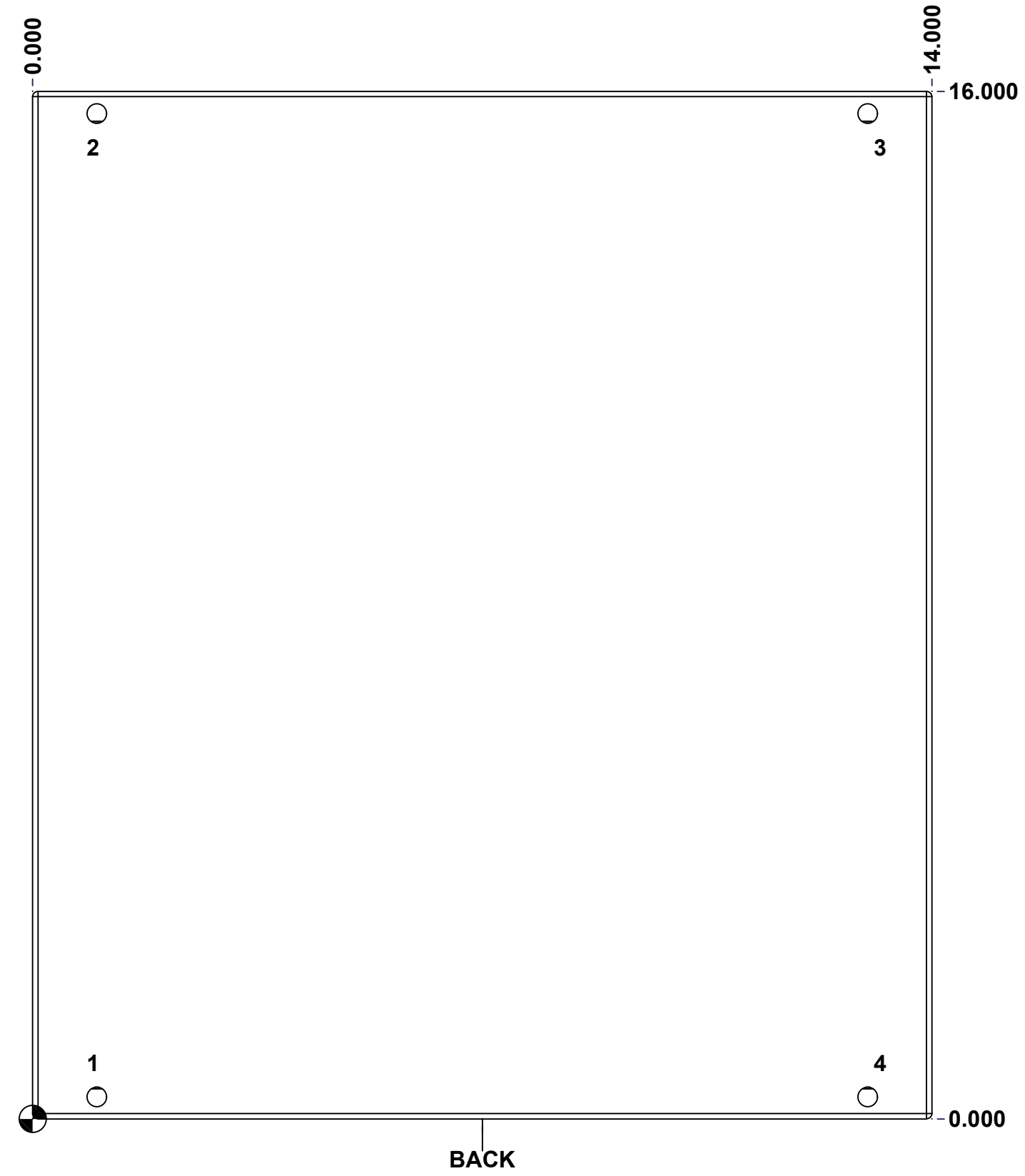
This drawing is confidential and must not be reproduced or used without the consent of EXM

Ce dessin est confidentiel et ne doit pas être reproduit ou utilisé sans le consentement de EXM

STANDARD FEATURES ARE NOT LISTED IN THIS HOLE TABLE

HOLE TABLE - BACK VIEW (CUSTOM FEATURE ONLY)

| CUT-OUT | XDIM | YDIM | DESCRIPTION |
|---------|--------|--------|--------------------------------|
| 1 | 0.875 | 0.875 | IP STANDOFF M6 x 10mm (Inside) |
| 2 | 0.875 | 15.125 | IP STANDOFF M6 x 10mm (Inside) |
| 3 | 13.125 | 15.125 | IP STANDOFF M6 x 10mm (Inside) |
| 4 | 13.125 | 0.875 | IP STANDOFF M6 x 10mm (Inside) |

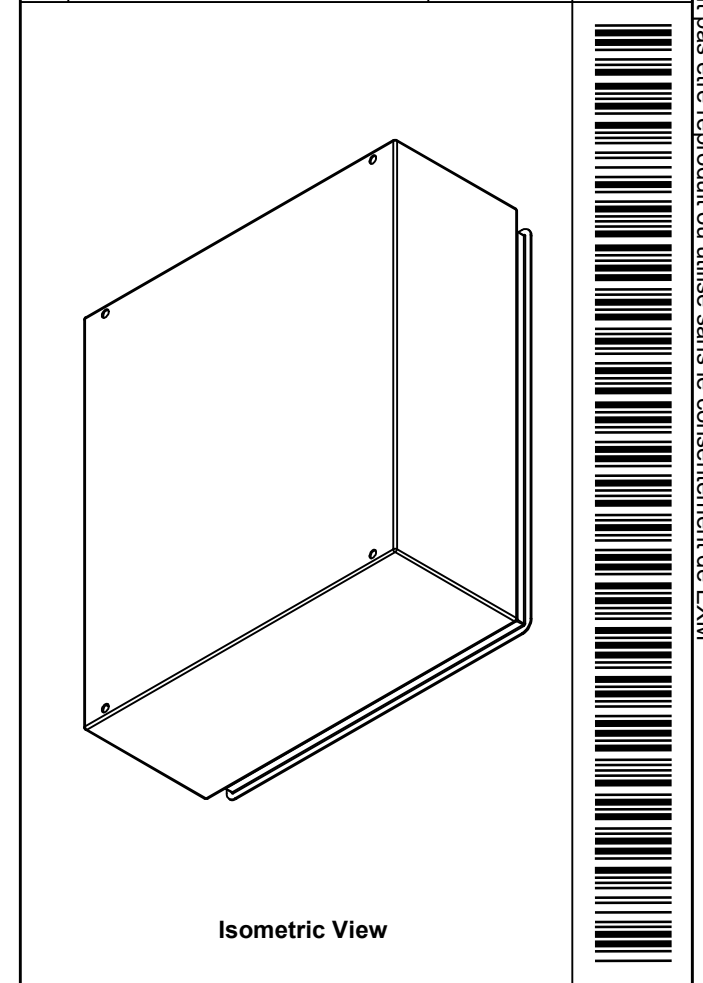



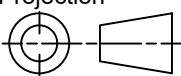
| | | |
|--|-------------------------------|-------------------|
| | Description | Status |
| | 5412ESCHB 16" x 14" x 6" Body | (NULL) |
| | Part Number Numéro Pièce | Rev. |
| | 5412ESCHB161406B | 0 / 5 9 |

This drawing is confidential and must not be reproduced or used without the consent of EXM

Ce dessin est confidentiel et ne doit pas être reproduit ou utilisé sans le consentement de EXM

| No. | Revisions | Date | By/Par |
|-----|-----------|------|--------|
| | | | |
| | | | |
| | | | |
| | | | |
| | | | |

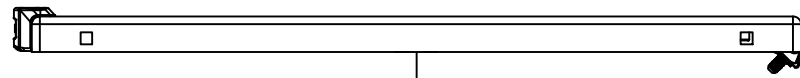


| | | |
|--|-------------------------|---|
|  Tél: (450) 979-4373 Fax: (450) 979-4626 www.exmweb.com | | Flatness Aplatissement Max 3.0mm |
| Customer Client | | Projection  |
| Drawn By / Dessiné Par: BoxCad: BoxCad | | Date: 20-Nov-13 |
| Material / Matière: 16 Ga Cold Rolled A1008 CS Type B (1.4mm) | | |
| Color / Couleur: Light Grey RAL7035 | Finish / Fini: Textured | |
| Description: 5412ESCHB 16" x 14" x 6" Body | | Detail Rev. |
| Part Number / Numéro Pièce: 5412ESCHB161406B | | Rev. 6 0 / 9 |

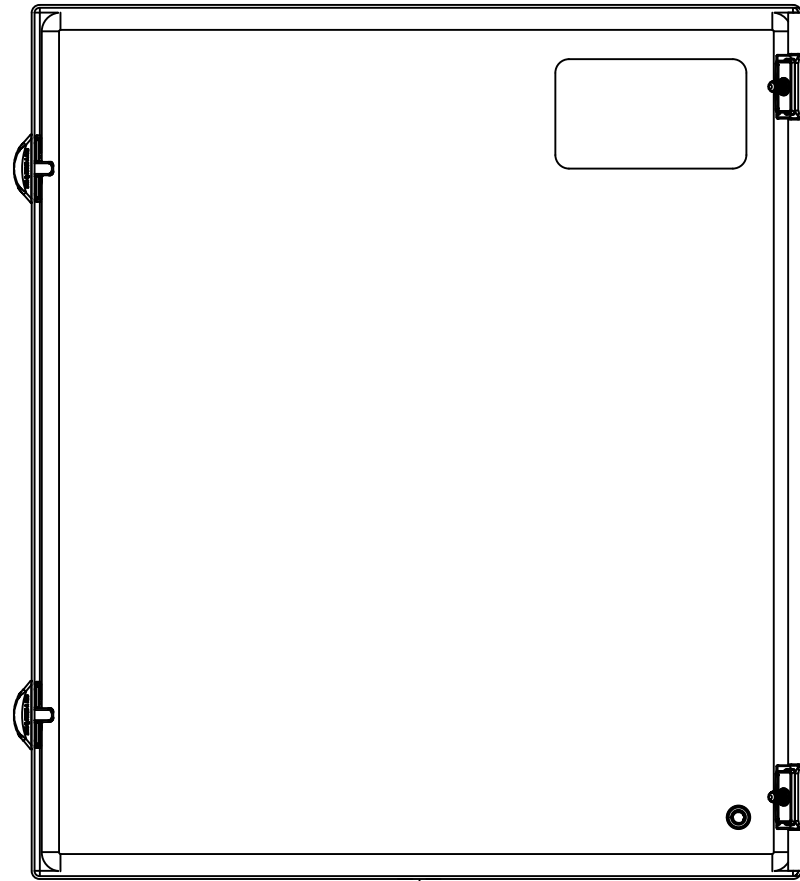
| Qty | Part Number | Rev | Description |
|------------|--------------------|-----|--|
| 1 | STK-P-03820R | 0 | Powder Paint (Light Grey / Rough Textured) |
| 1 | 5412ESCHB161406B-P | 0 | 5412ESCHB 16" x 14" x 6" Body Part |
| 5 | STK-Q-08350 | 5 | Standoff M6 x 10mm |
| Parts List | | | |

This drawing is confidential and must not be reproduced or used without the consent of EXM

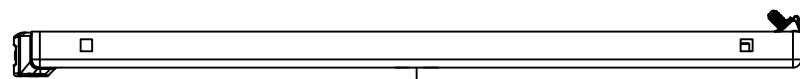
Ce dessin est confidentiel et ne doit pas être reproduit ou utilisé sans le consentement de EXM



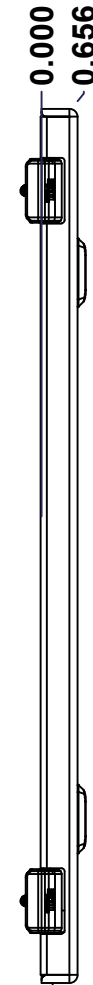
TOP



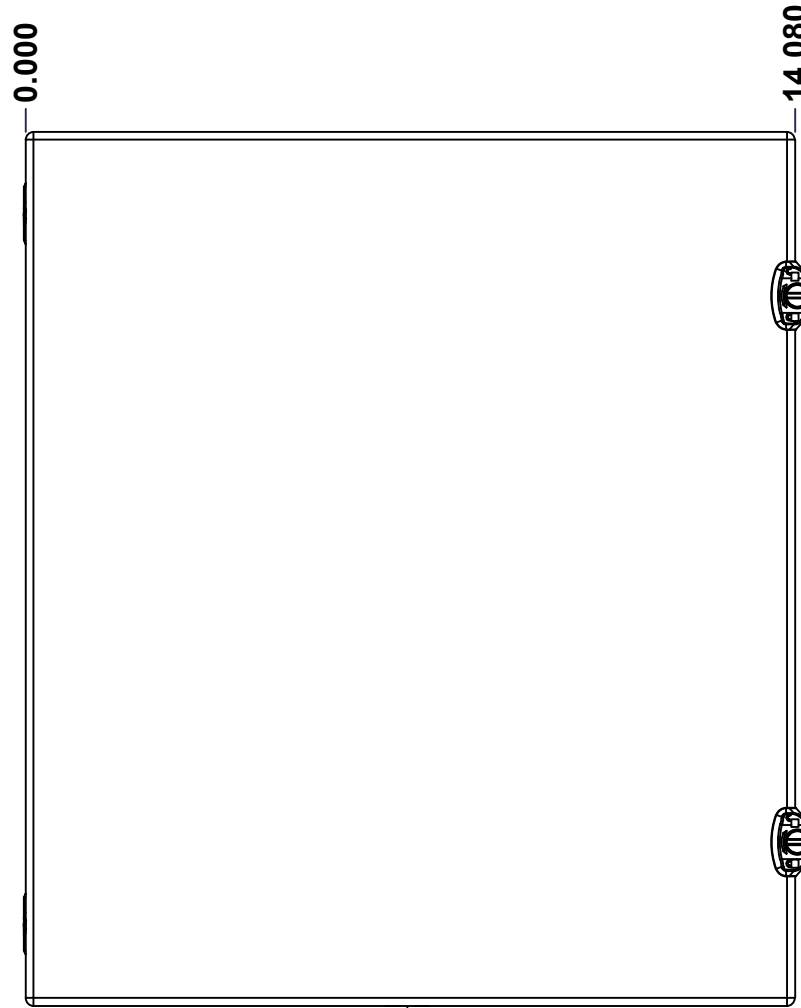
BACK



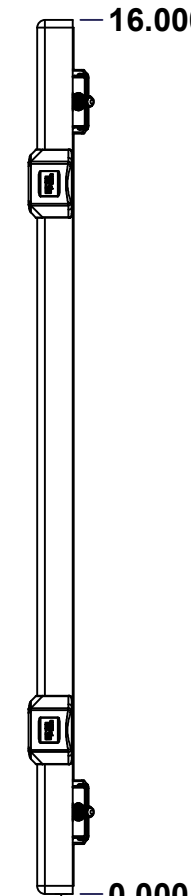
BOTTOM



LEFT

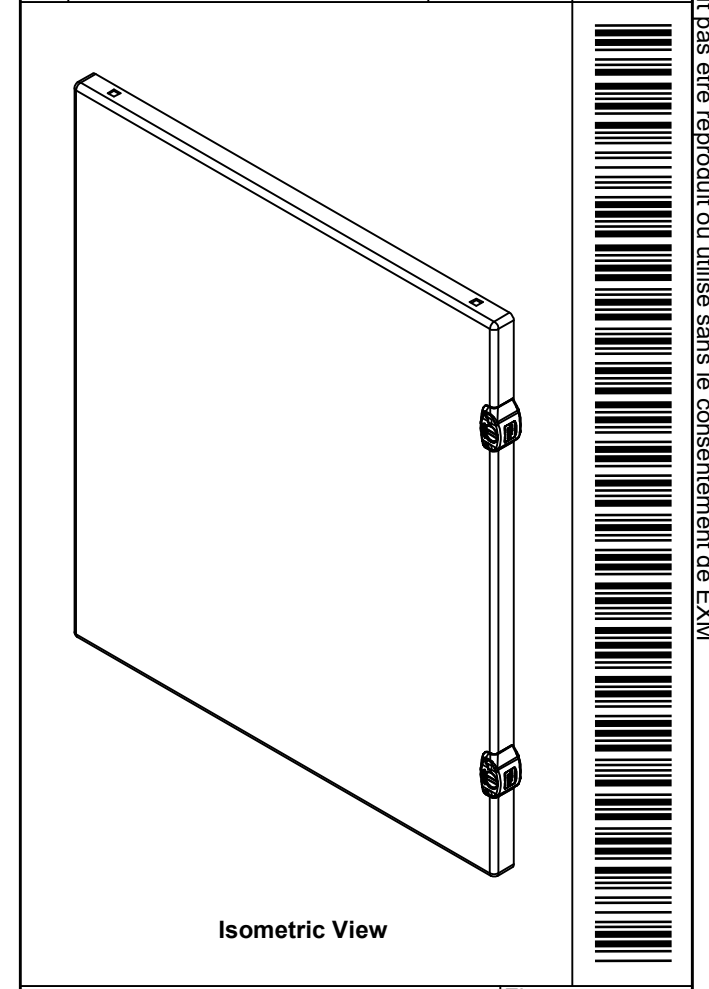


FRONT




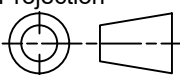
RIGHT

| No. | Revisions | Date | By/Par |
|-----|-----------|------|--------|
| | | | |
| | | | |
| | | | |
| | | | |



Isometric View



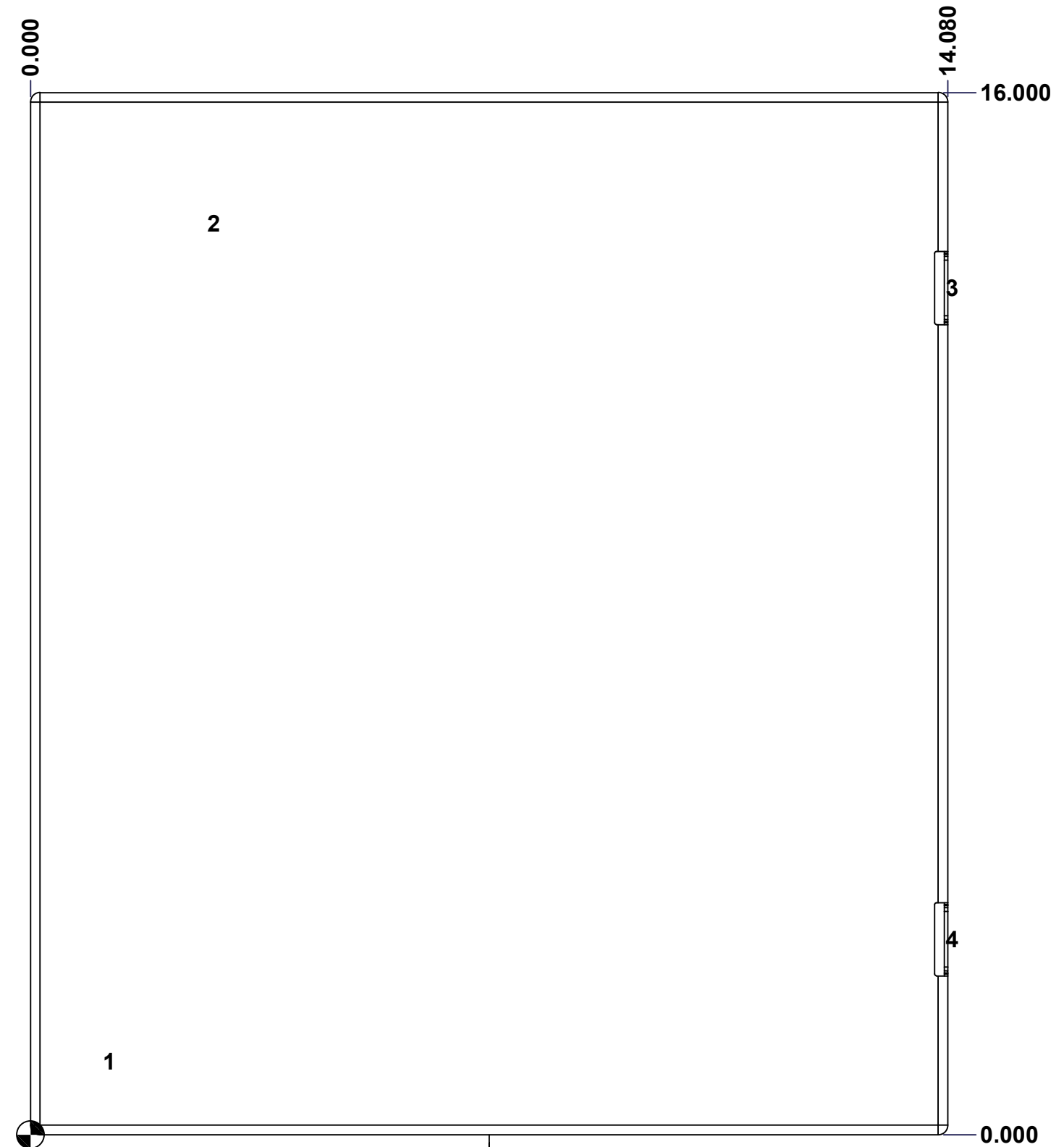
| | | |
|--|---|---|
|  Tél: (450) 979-4373 Fax: (450) 979-4626 www.exmweb.com | | Flatness Aplatissement Max 3.0mm Projection  |
| Customer Client | Date | |
| Drawn By Dessiné Par | BoxCad: BoxCad | Date 20-Nov-13 |
| Material Matière | 16 Ga Cold Rolled A1008 CS Type B (1.4mm) | |
| Color Couleur | Light Grey RAL7035 | Finish Fini Textured |
| Description | | Detail Rev. |
| 5412ESCHB 16" x 14" Cover | | |
| Part Number Numéro Pièce | Rev. | 7 |
| 5412ESCHB161406C | 0 | 9 |

SEE BILL OF MATERIAL ON LAST PAGE

This drawing is confidential and must not be reproduced or used without the consent of EXM

Ce dessin est confidentiel et ne doit pas être reproduit ou utilisé sans le consentement de EXM

| STANDARD FEATURES ARE NOT LISTED IN THIS HOLE TABLE | | | |
|---|--------|--------|-----------------------------|
| HOLE TABLE - FRONT VIEW (CUSTOM FEATURE ONLY) | | | |
| CUT-OUT | XDIM | YDIM | DESCRIPTION |
| 1 | 1.145 | 1.125 | STANDOFF M6 x 10mm (Inside) |
| 2 | 2.750 | 14.000 | LABEL_EXM |
| 3 | 14.080 | 13.000 | LOCK 880 SCQ2-SL @ 0.0° |
| 4 | 14.080 | 3.000 | LOCK 880 SCQ2-SL @ 0.0° |



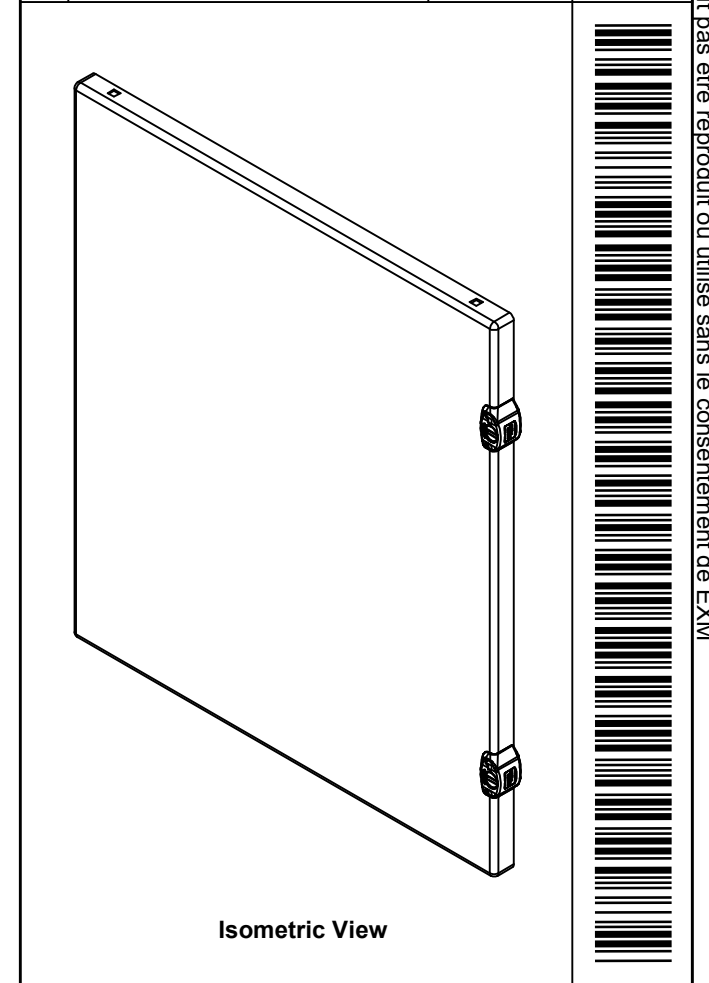
FRONT


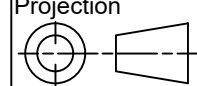
| | | | |
|--|-----------------------------|----------|--------|
| | Description | Status | |
| | 5412ESCHB 16" x 14" Cover | (NULL) | |
| | Part Number Numéro Pièce | Rev. | |
| | 5412ESCHB161406C | 0 | 8 9 |

This drawing is confidential and must not be reproduced or used without the consent of EXM

Ce dessin est confidentiel et ne doit pas être reproduit ou utilisé sans le consentement de EXM

| No. | Revisions | Date | By/Par |
|-----|-----------|------|--------|
| | | | |
| | | | |
| | | | |
| | | | |
| | | | |

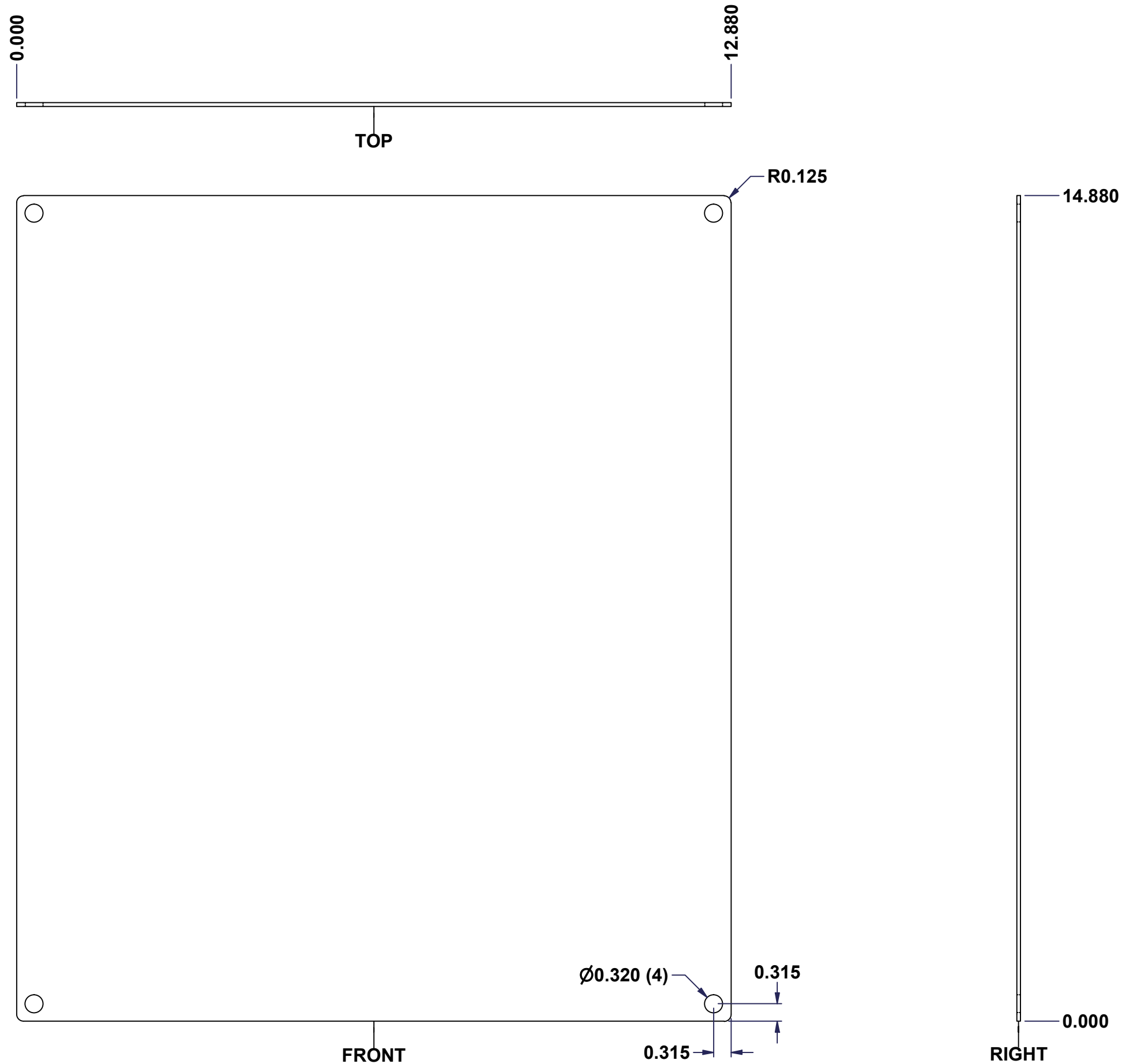


| | | |
|--|---|---|
|  Tél: (450) 979-4373 Fax: (450) 979-4626 www.exmweb.com | | Flatness Aplatissement Max 3.0mm Projection  |
| Customer Client | Date | |
| Drawn By Dessiné Par | BoxCad: BoxCad | Date 20-Nov-13 |
| Material Matière | 16 Ga Cold Rolled A1008 CS Type B (1.4mm) | |
| Color Couleur | Light Grey RAL7035 | Finish Fini Textured |
| Description | | Detail Rev. |
| 5412ESCHB 16" x 14" Cover | | |
| Part Number Numéro Pièce | Rev. | 9 |
| 5412ESCHB161406C | 0 | 9 |

| Qty | Part Number | Rev | Description |
|------------|--------------------|-----|---|
| 1 | 5412ESCHB161406G | 0 | 5412ESCHB 16" x 14" Gasket |
| 1 | STK-S-00100 | 0 | 3.5" x 2" Silver Milar Flexcon Sticker |
| 1 | STK-Q-08350 | 5 | Standoff M6 x 10mm |
| 1 | STK-P-03820R | 0 | Powder Paint (Light Grey / Rough Textured) |
| 1 | 5412ESCHB161406C-P | 0 | 5412ESCHB 16" x 14" Cover Part |
| 2 | STK-A-33033 | 4 | 5412 ESMCH Hinge |
| 2 | STK-A-79960 | 14 | 5412 ESMCH - External Lock Assy - Slot Lock |
| Parts List | | | |

This drawing is confidential and must not be reproduced or used without the consent of EXM

Ce dessin est confidentiel et ne doit pas être reproduit ou utilisé sans le consentement de EXM



| No. | Revisions | Date | By/Par |
|-----|-----------|------|--------|
| | | | |
| | | | |
| | | | |
| | | | |

Isometric View

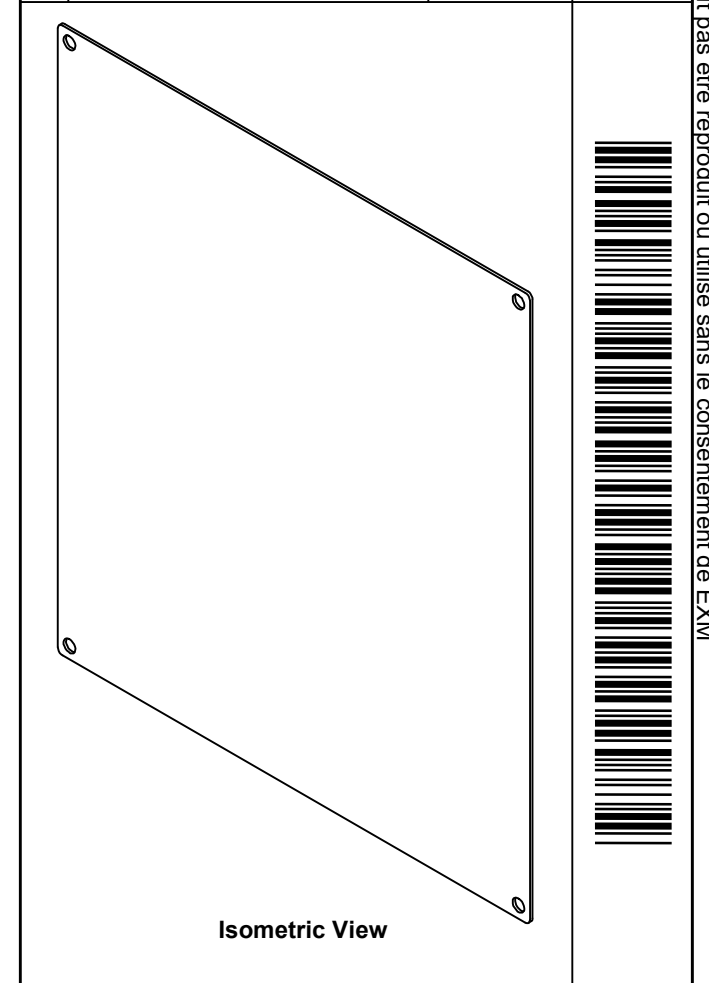
| | | |
|--|---------------------------|--|
| Tél: (450) 979-4373 Fax: (450) 979-4626 www.exmweb.com | | Flatness Aplatissement Max 3.0mm |
| Customer Client | | Projection |
| Drawn By / Dessiné Par: BoxCad | | Date: 23-Jan-07 |
| Material / Matière: 14 Ga Galvanized (1.7mm) | | |
| Color / Couleur: Unpainted | Finish / Fini: Galvanized | |
| Description: 880 SP1614G - Inner Panel | | Detail Rev. |
| Part Number / Numéro Pièce: 880 SP1614G | | Rev. 1 0 |


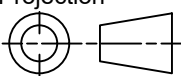
SEE BILL OF MATERIAL ON LAST PAGE

This drawing is confidential and must not be reproduced or used without the consent of EXM

Ce dessin est confidentiel et ne doit pas être reproduit ou utilisé sans le consentement de EXM

| No. | Revisions | Date | By/Par |
|-----|-----------|------|--------|
| | | | |
| | | | |
| | | | |
| | | | |
| | | | |



| | | |
|--|---------------------------|---|
|  Tél: (450) 979-4373 Fax: (450) 979-4626 www.exmweb.com | | Flatness Aplatissement Max 3.0mm |
| Customer Client | | Projection  |
| Drawn By / Dessiné Par: BoxCad | | Date: 23-Jan-07 |
| Material / Matière: 14 Ga Galvanized (1.7mm) | | |
| Color / Couleur: Unpainted | Finish / Fini: Galvanized | |
| Description: 880 SP1614G - Inner Panel | | Detail Rev. |
| Part Number / Numéro Pièce: 880 SP1614G | | Rev. 0 / 2 |

| Qty | Part Number | Rev | Description |
|------------|---------------|-----|--------------------------------|
| 1 | 880 SP1614G-P | 0 | 880 SP1614G - Inner Panel Part |
| Parts List | | | |