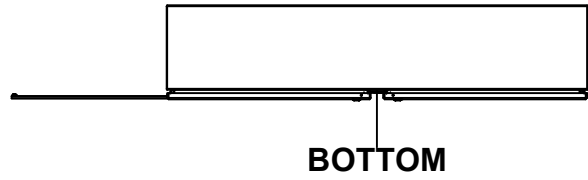
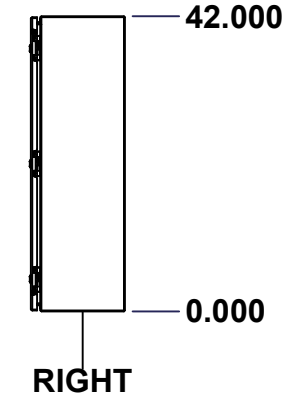
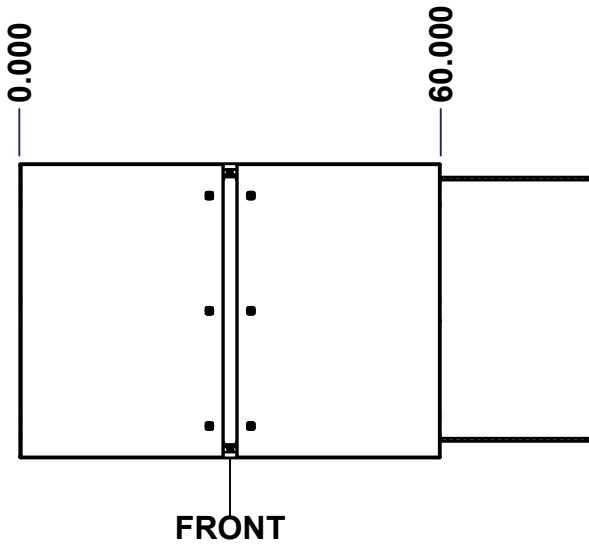
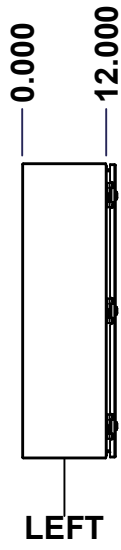
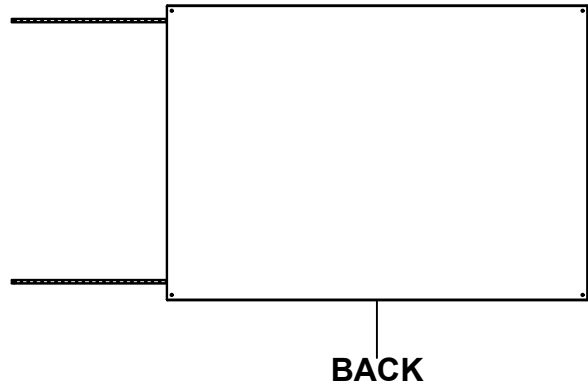
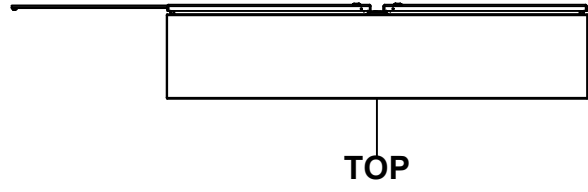
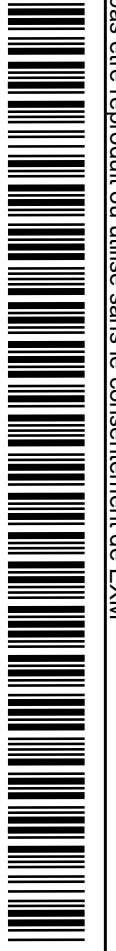
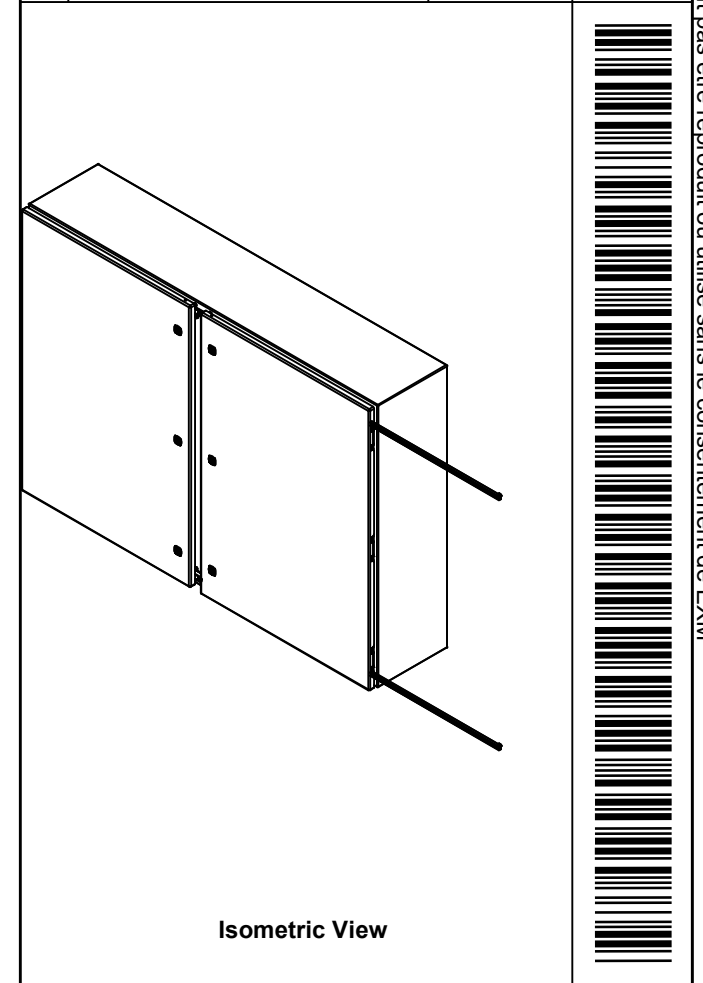



This drawing is confidential and must not be reproduced or used without the consent of EXM

Ce dessin est confidentiel et ne doit pas être reproduit ou utilisé sans le consentement de EXM



No.	Revisions	Date	By/Par



 Tél: (450) 979-4373 Fax: (450) 979-4626 <a href="http://www.exmweb.com">www.exmweb.com</a>		Flatness Aplatissement
		Max 3.0mm
Customer Client		Date
Drawn By Dessiné Par BoxCad: BoxCad		Date 25-Jan-26
Material Matière 12 Ga Cold Rolled A1008 CS Type B (2.5mm)		
Color Couleur Asa-61 Grey	Finish Fini Smooth	
Description 5412ESDDHD 42" x 60" x 12" Assembly		Detail Rev.
Part Number Numéro Pièce <b>5412ESDDHD426012</b>	Rev. <b>0</b>	1 13

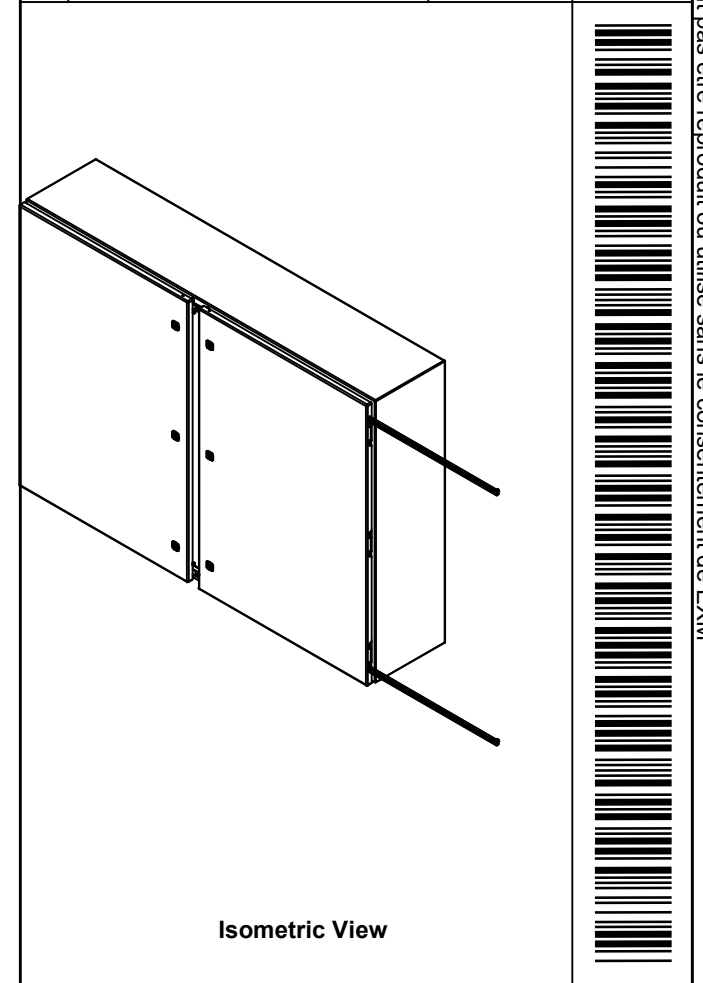
**SEE BILL OF MATERIAL ON LAST PAGE**

This drawing is confidential and must not be reproduced or used without the consent of EXM

Ce dessin est confidentiel et ne doit pas être reproduit ou utilisé sans le consentement de EXM

NOTE	
ITEM	DESCRIPTION
1	NEMA 4, 12 Enclosure (IP66)
2	C/W Standard ground studs on box and cover
3	C/W Standard door stiffener
4	C/W Standard inner panel (Included)
5	C/W Standard inner panel mounting studs

No.	Revisions	Date	By/Par



**EXM**  
www.exmweb.com

Tél: (450) 979-4373  
Fax: (450) 979-4626

Flatness  
Aplatissement  
Max 3.0mm

Projection

Customer Client	Date
Drawn By Dessiné Par BoxCad: BoxCad	Date 25-Jan-26
Material Matière 12 Ga Cold Rolled A1008 CS Type B (2.5mm)	

Color Couleur Asa-61 Grey	Finish Fini Smooth
Description 5412ESDDHD 42" x 60" x 12" Assembly	
Part Number Numéro Pièce <b>5412ESDDHD426012</b>	Rev. <b>0</b>

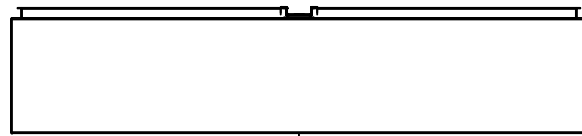
PACKING		
ITEM	QTY	DESCRIPTION
Cardboard sleeve	2	Top and Bottom
Cardboard strip	2	Between back of enclosure and inner panel
Plastic bag	1	To protect cover surface and inside gasket
Cardboard corner	4	To reinforced for the plastic strap tightening
Plastic strap - Black	2	To Squeeze the 2 cardboard sleeve together
Packaging label	3	White label with PN
Plastic strap- Green	2	To secure the enclosure to the wood pallet
Wood Pallet	1	2" deeper and 3" larger than enclosure size

Qty	Part Number	Rev	Description
1	STK-K-01800	5	5412 ES Accessory Kit
1	885SP6042G	0	885SP 60" x 42" Inner Panel Part
4	STK-K-01320	0	5412 ES Inner Panel Accessory Kit
6	STK-Q-04050-10	8	M6 x 10mm Hexagon Socket Head Machine Screw with Nyseal
1	5412ESDDHD426012RD	0	5412ESDDHD 42" x 60" Cover
1	5412ESDDHD426012LD	0	5412ESDDHD 42" x 60" Cover
1	5412ESDDHD426012B	0	5412ESDDHD 42" x 60" x 12" Body

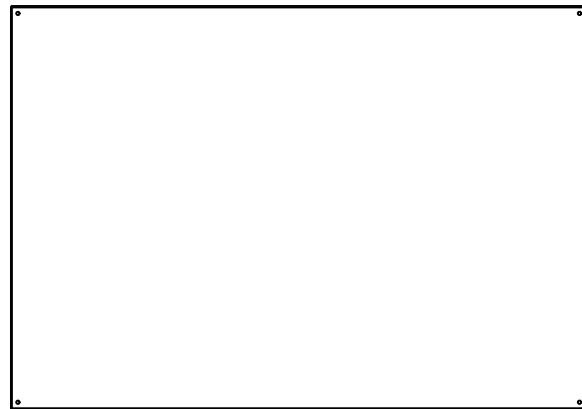
Parts List

This drawing is confidential and must not be reproduced or used without the consent of EXM

Ce dessin est confidentiel et ne doit pas être reproduit ou utilisé sans le consentement de EXM



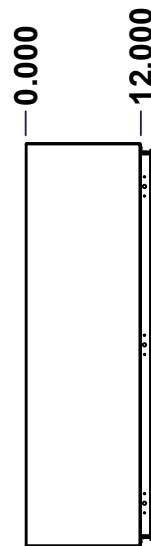
TOP



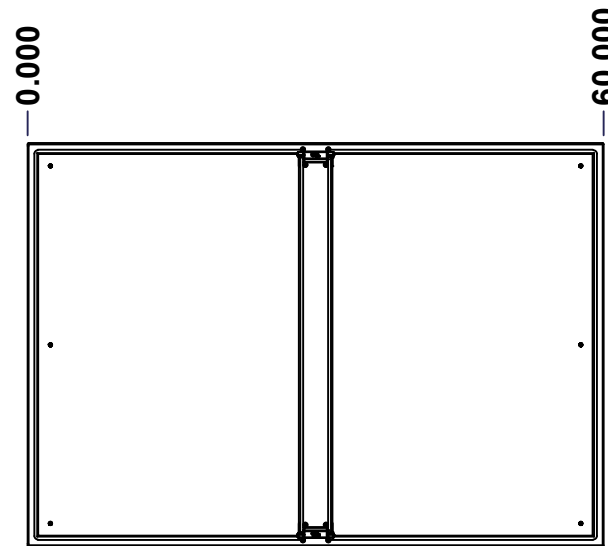
BACK



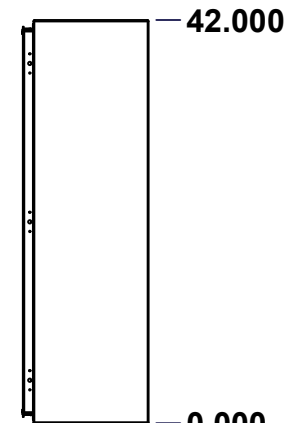
BOTTOM



LEFT



FRONT



RIGHT

No.	Revisions	Date	By/Par

**Isometric View**

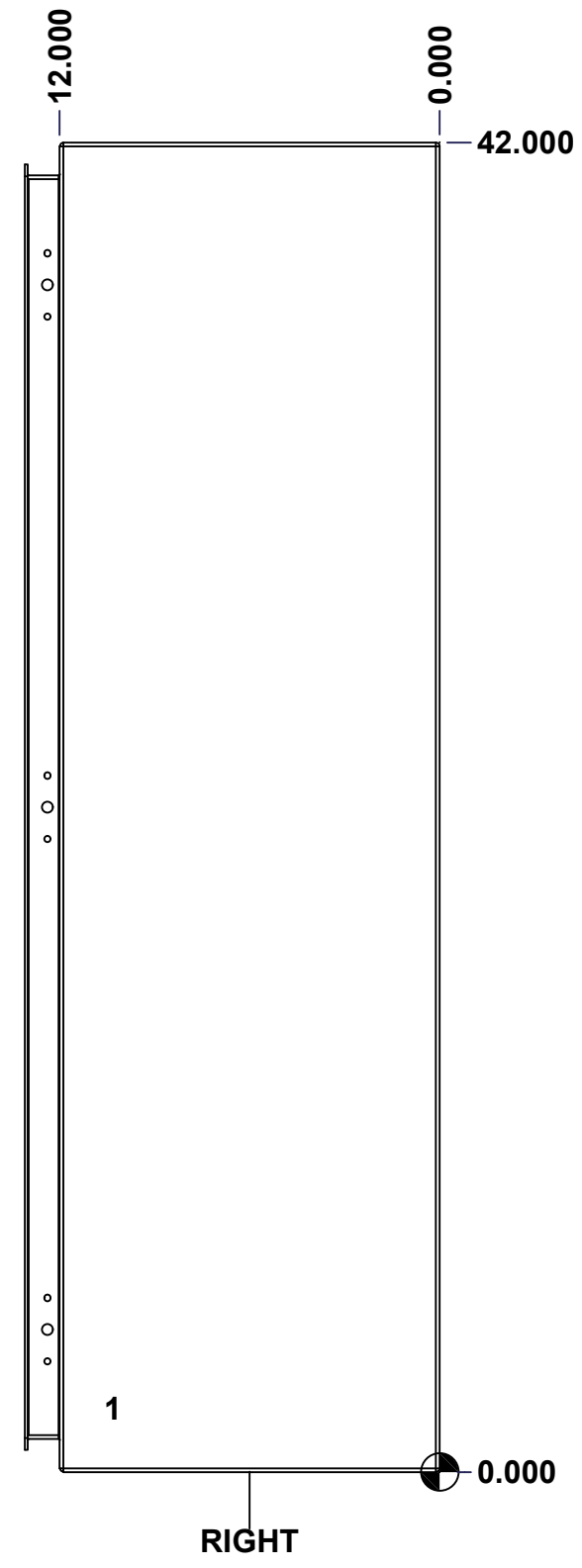
Tél: (450) 979-4373 Fax: (450) 979-4626 <a href="http://www.exmweb.com">www.exmweb.com</a>	Flatness Aplatissement Max 3.0mm Projection 
Customer Client	Date
Drawn By Dessiné Par BoxCad: BoxCad	Date 25-Jan-26
Material Matière 12 Ga Cold Rolled A1008 CS Type B (2.5mm)	
Color Couleur Asa-61 Grey	Finish Fini Smooth
Description 5412ESDDHD 42" x 60" x 12" Body	
Part Number Numéro Pièce <b>5412ESDDHD426012B</b>	Detail Rev. Rev. 3 <b>0</b>

SEE BILL OF MATERIAL ON LAST PAGE

This drawing is confidential and must not be reproduced or used without the consent of EXM

Ce dessin est confidentiel et ne doit pas être reproduit ou utilisé sans le consentement de EXM

STANDARD FEATURES ARE NOT LISTED IN THIS HOLE TABLE			
HOLE TABLE - RIGHT VIEW (CUSTOM FEATURE ONLY)			
CUT-OUT	XDIM	YDIM	DESCRIPTION
1	10.500	2.000	GND STUD M6 x 16mm (Inside)



	Description	Status	
	5412ESDDHD 42" x 60" x 12" Body	(NULL)	
	Part Number Numéro Pièce	Rev.	4
	<b>5412ESDDHD426012B</b>	<b>0</b>	13

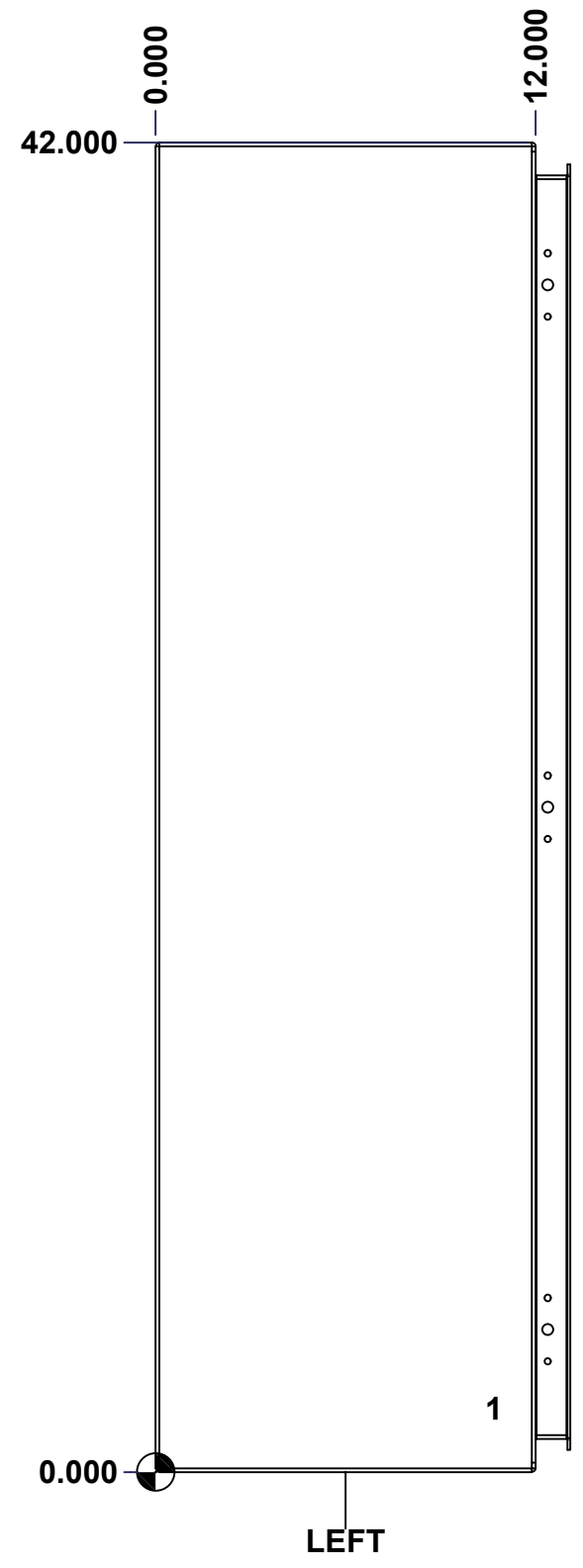
This drawing is confidential and must not be reproduced or used without the consent of EXM

Ce dessin est confidentiel et ne doit pas être reproduit ou utilisé sans le consentement de EXM

**STANDARD FEATURES ARE NOT LISTED IN THIS HOLE TABLE**

**HOLE TABLE - LEFT VIEW (CUSTOM FEATURE ONLY)**

CUT-OUT	XDIM	YDIM	DESCRIPTION
1	10.500	2.000	GND STUD M6 x 16mm (Inside)



	Description	Status
	5412ESDDHD 42" x 60" x 12" Body	(NULL)
	Part Number Numéro Pièce	Rev.
	<b>5412ESDDHD426012B</b>	<b>0</b> / 5
		13

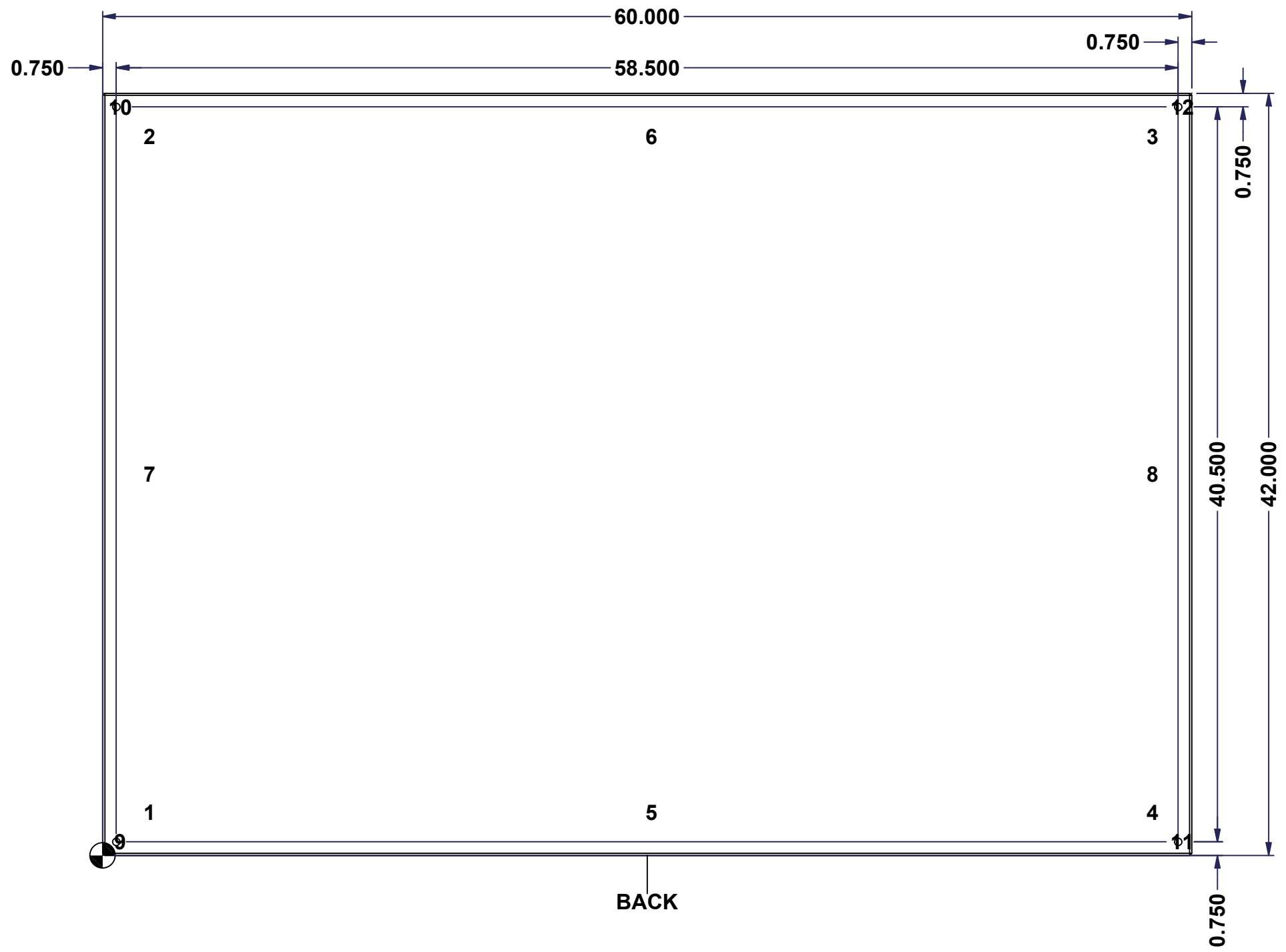
This drawing is confidential and must not be reproduced or used without the consent of EXM

Ce dessin est confidentiel et ne doit pas être reproduit ou utilisé sans le consentement de EXM

**STANDARD FEATURES ARE NOT LISTED IN THIS HOLE TABLE**

**HOLE TABLE - BACK VIEW (CUSTOM FEATURE ONLY)**

CUT-OUT	XDIM	YDIM	DESCRIPTION
1	2.375	2.375	IP STUD M8 x 35mm (Inside)
2	2.375	39.625	IP STUD M8 x 35mm (Inside)
3	57.625	39.625	IP STUD M8 x 35mm (Inside)
4	57.625	2.375	IP STUD M8 x 35mm (Inside)
5	30.000	2.375	IP STUD M8 x 35mm (Inside)
6	30.000	39.625	IP STUD M8 x 35mm (Inside)
7	2.375	21.000	IP STUD M8 x 35mm (Inside)
8	57.625	21.000	IP STUD M8 x 35mm (Inside)
-----			
9	0.750	0.750	RND Ø0.390
10	0.750	41.250	RND Ø0.390
11	59.250	0.750	RND Ø0.390
12	59.250	41.250	RND Ø0.390



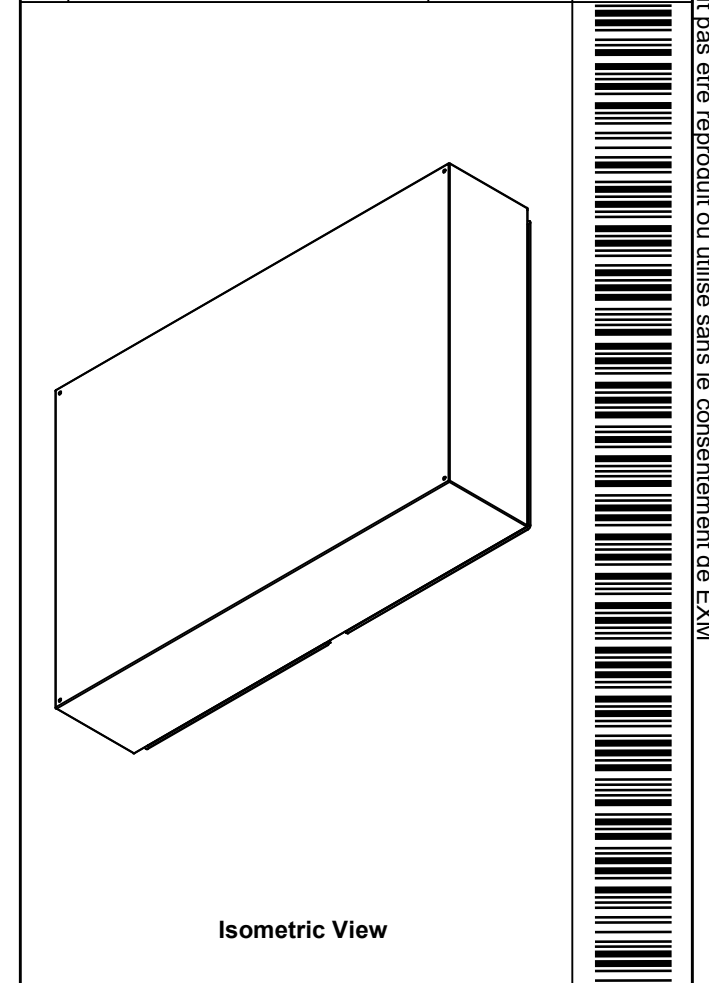
BACK


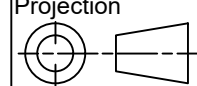
	Description	Status
	5412ESDDHD 42" x 60" x 12" Body	(NULL)
	Part Number Numéro Pièce	Rev.
	<b>5412ESDDHD426012B</b>	<b>0</b> / 6
		13

This drawing is confidential and must not be reproduced or used without the consent of EXM

Ce dessin est confidentiel et ne doit pas être reproduit ou utilisé sans le consentement de EXM

No.	Revisions	Date	By/Par

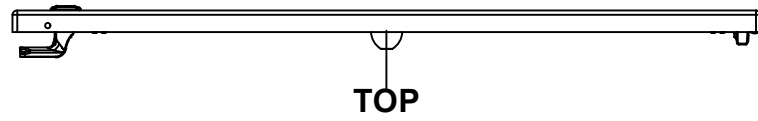


 Tél: (450) 979-4373 Fax: (450) 979-4626 <a href="http://www.exmweb.com">www.exmweb.com</a>		Flatness Aplatissement Max 3.0mm Projection 
Customer Client	Date	
Drawn By Dessiné Par	BoxCad: BoxCad	Date 25-Jan-26
Material Matière	12 Ga Cold Rolled A1008 CS Type B (2.5mm)	
Color Couleur	Asa-61 Grey	Finish Fini Smooth
Description		Detail Rev.
5412ESDDHD 42" x 60" x 12" Body		
Part Number Numéro Pièce	Rev.	7
<b>5412ESDDHD426012B</b>	<b>0</b>	13

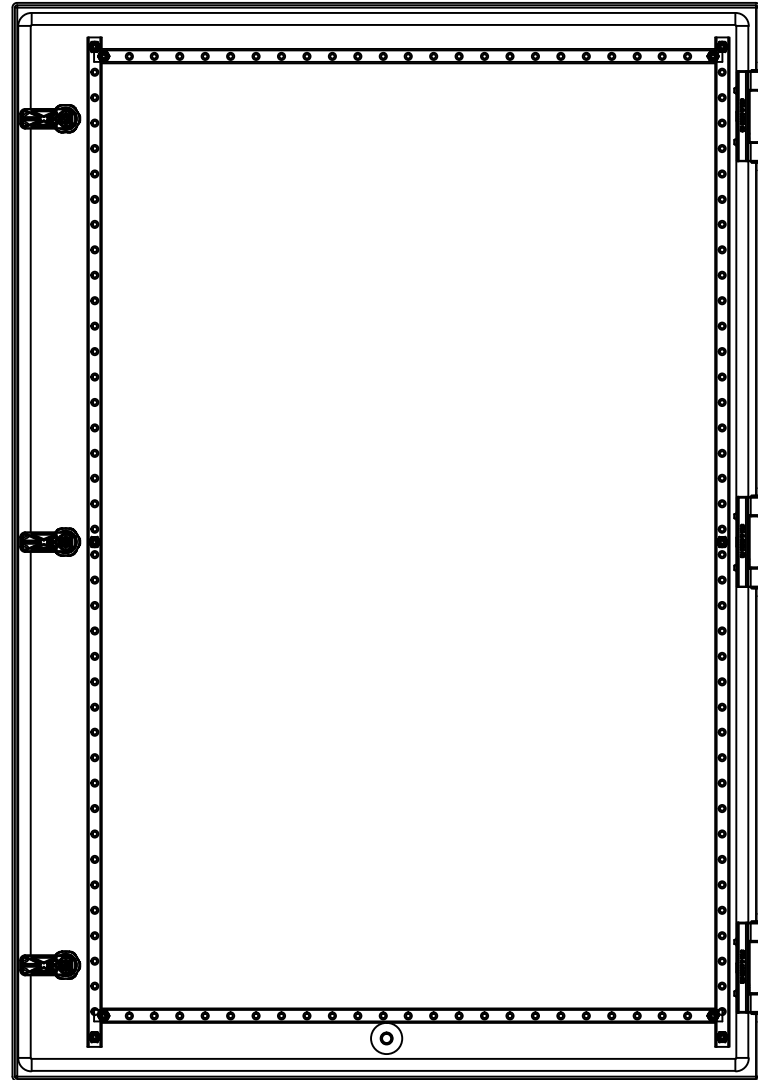
Qty	Part Number	Rev	Description
2	STK-Q-16080	0	Ground Stud M6 x 16mm Steel
1	STK-P-02400S	0	Powder Paint (Asa-61 Grey / Smooth)
8	STK-Q-16005	1	Stud M8 x 35mm (No Paint Cap Required)
8	STK-Q-04056-12	0	M6 x 8mm Hexagon Socket Head Machine Screw with Nyseal
1	STK-K-75454	14	Center Post Freestanding Sealing Block with Latch Kit
1	5412ESDDHD426012CP-P	0	5412ESDDHD 42" Center Post Part
1	5412ESDDHD426012B-P	0	5412ESDDHD 42" x 60" x 12" Body Part
Parts List			

This drawing is confidential and must not be reproduced or used without the consent of EXM

Ce dessin est confidentiel et ne doit pas être reproduit ou utilisé sans le consentement de EXM



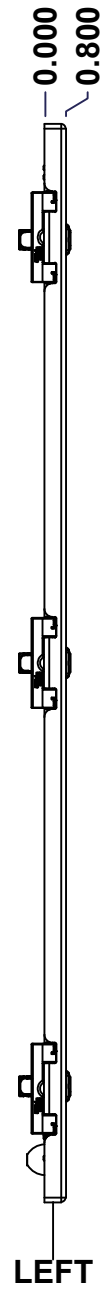
TOP



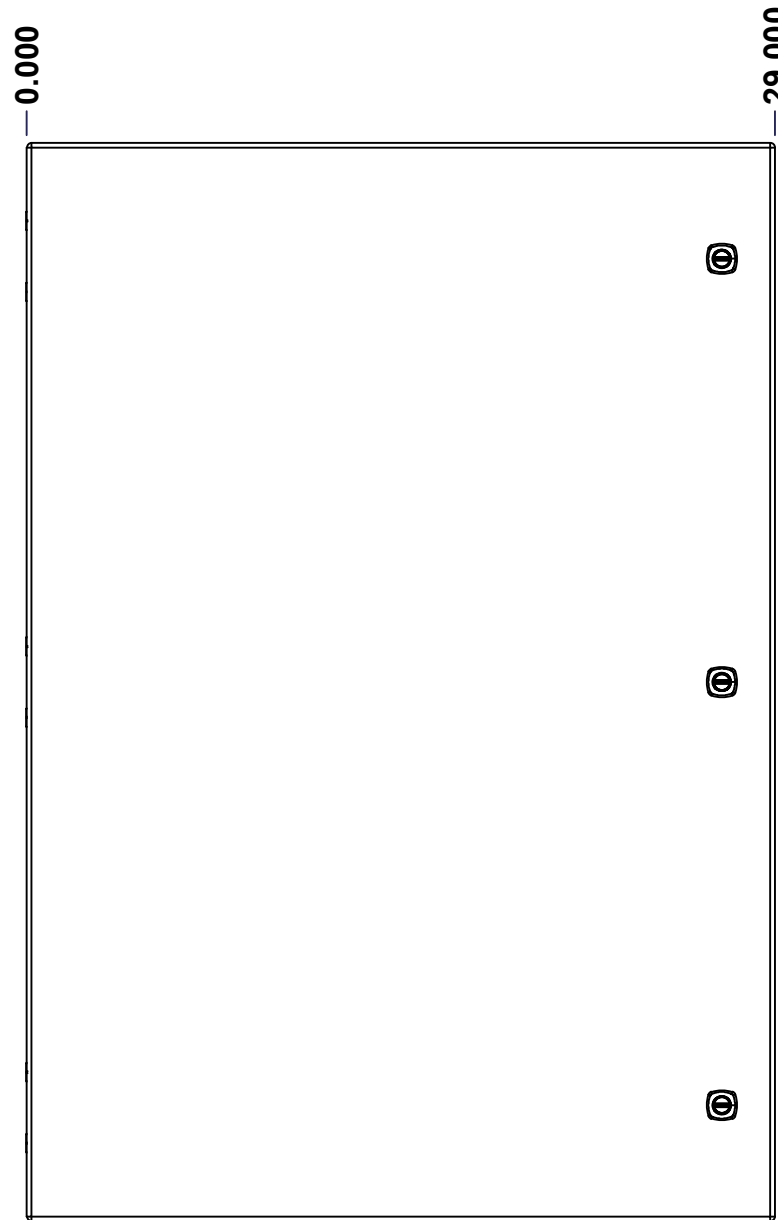
BACK



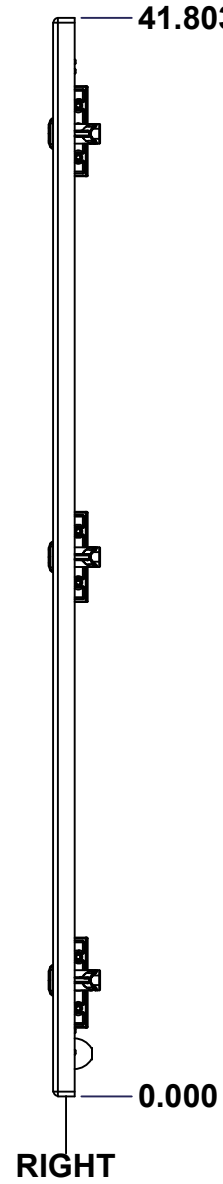
BOTTOM



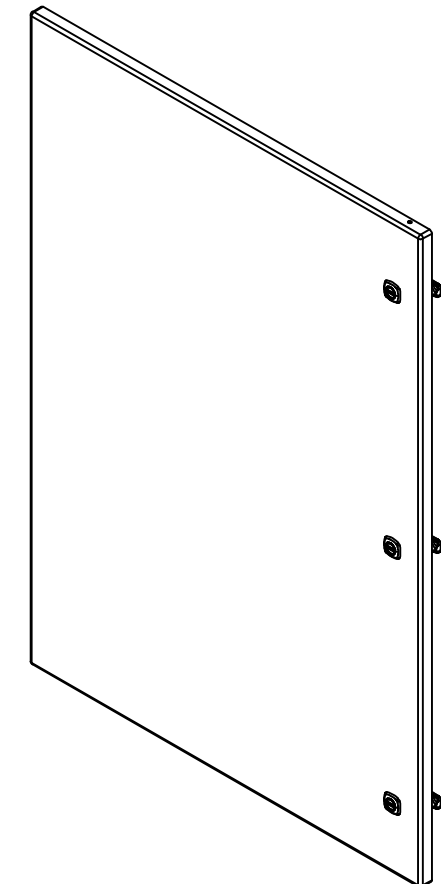
LEFT



FRONT



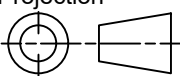
RIGHT



Isometric View



No.	Revisions	Date	By/Par

 Tél: (450) 979-4373 Fax: (450) 979-4626 <a href="http://www.exmweb.com">www.exmweb.com</a>		Flatness Aplatissement Max 3.0mm Projection 
Customer Client	Date	
Drawn By Dessiné Par	BoxCad: BoxCad	Date 25-Jan-26
Material Matière	12 Ga Cold Rolled A1008 CS Type B (2.5mm)	
Color Couleur	Asa-61 Grey	Finish Fini Smooth
Description	Detail Rev.	
5412ESDDHD 42" x 60" Cover		
Part Number Numéro Pièce	Rev.	8
5412ESDDHD426012LD	0	13

SEE BILL OF MATERIAL ON LAST PAGE

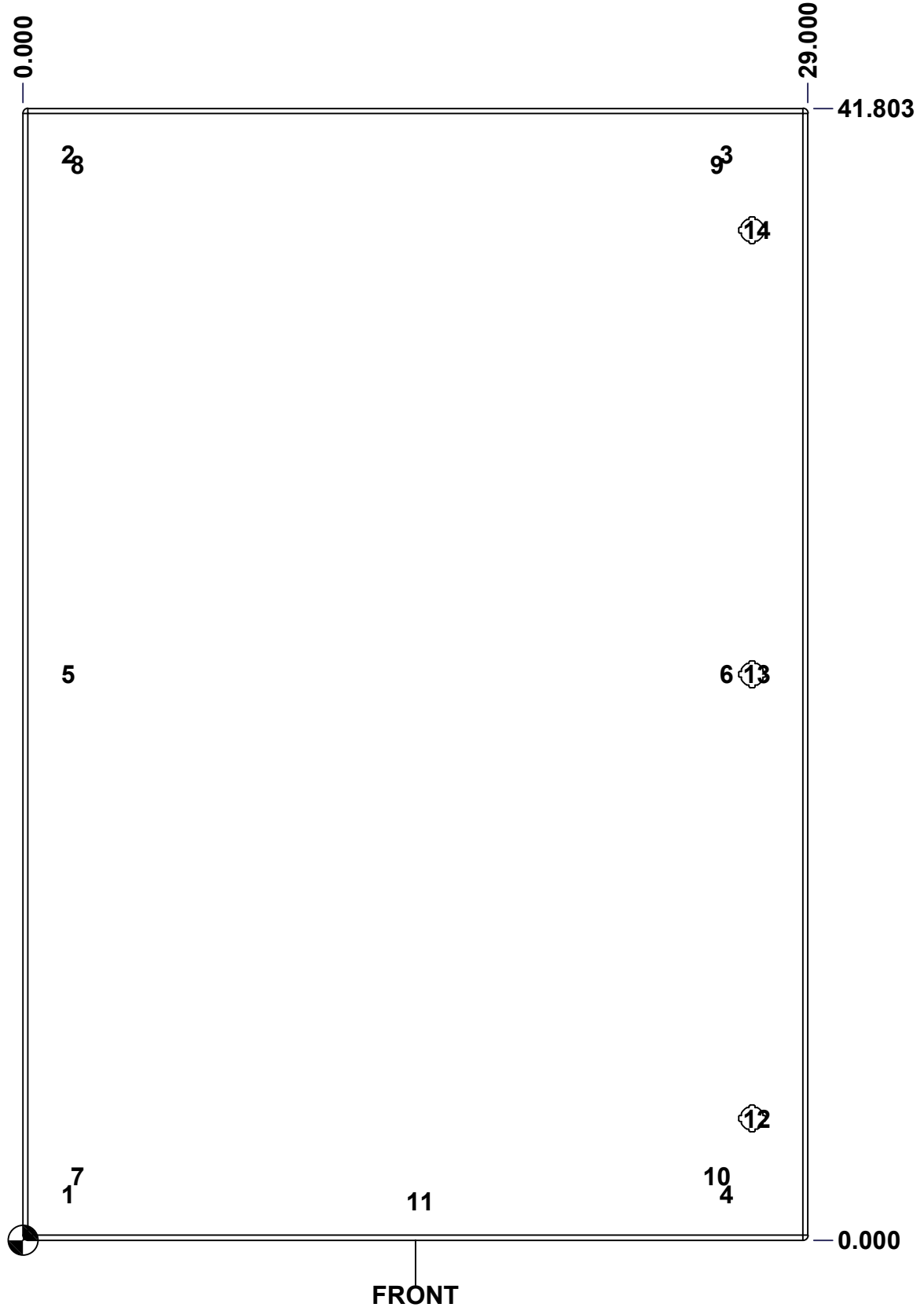
This drawing is confidential and must not be reproduced or used without the consent of EXM

Ce dessin est confidentiel et ne doit pas être reproduit ou utilisé sans le consentement de EXM

**STANDARD FEATURES ARE NOT LISTED IN THIS HOLE TABLE**

**HOLE TABLE - FRONT VIEW (CUSTOM FEATURE ONLY)**

CUT-OUT	XDIM	YDIM	DESCRIPTION
1	1.486	1.709	STUD M6 x 18mm (Inside)
2	1.486	40.094	STUD M6 x 18mm (Inside)
3	25.819	40.094	STUD M6 x 18mm (Inside)
4	25.819	1.709	STUD M6 x 18mm (Inside)
5	1.486	20.902	STUD M6 x 18mm (Inside)
6	25.819	20.902	STUD M6 x 18mm (Inside)
7	1.841	2.350	STUD M6 x 18mm (Inside)
8	1.841	39.733	STUD M6 x 18mm (Inside)
9	25.464	39.733	STUD M6 x 18mm (Inside)
10	25.464	2.350	STUD M6 x 18mm (Inside)
11	14.500	1.435	STUD M6 x 18mm (Inside)
-----			
12	26.938	4.496	LOCK 889 SCQ4-SL @ 0.0°
13	26.938	20.902	LOCK 889 SCQ4-SL @ 0.0°
14	26.938	37.308	LOCK 889 SCQ4-SL @ 0.0°

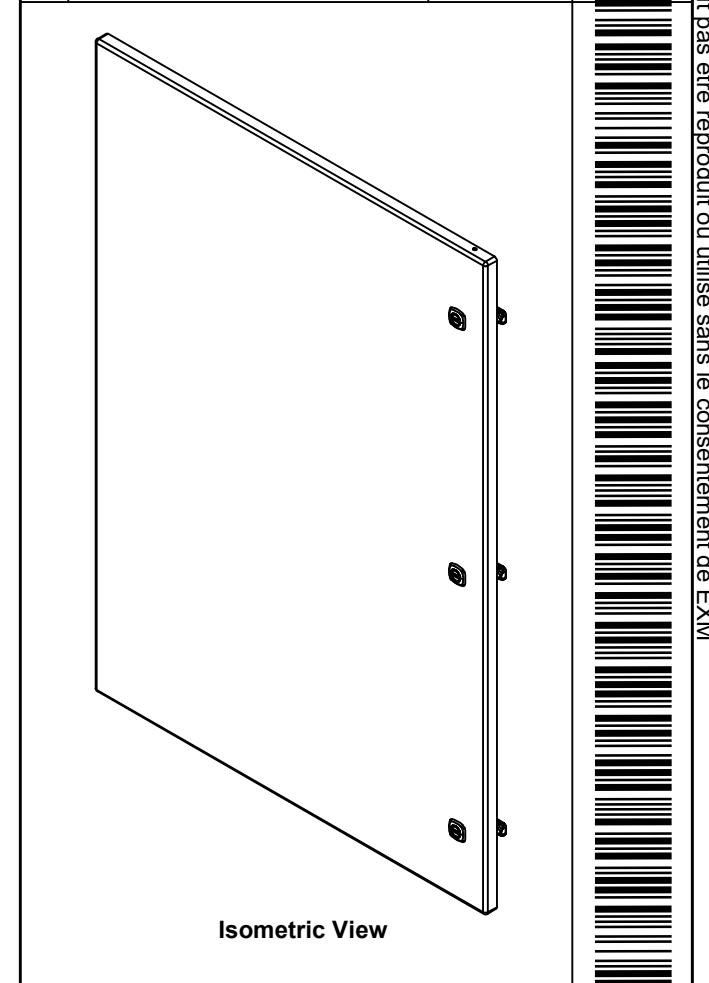


	Description	Status
	5412ESDDHD 42" x 60" Cover	(NULL)
	Part Number Numéro Pièce	Rev.
	<b>5412ESDDHD426012LD</b>	<b>0</b> / 9
		13

This drawing is confidential and must not be reproduced or used without the consent of EXM


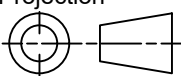
Ce dessin est confidentiel et ne doit pas être reproduit ou utilisé sans le consentement de EXM

No.	Revisions	Date	By/Par



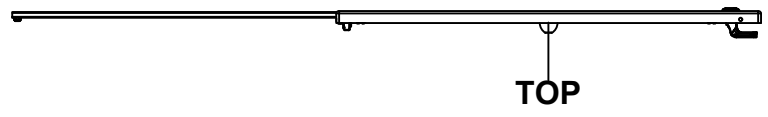
Isometric View

3	STK-K-12580	0	9412 1/4 Turn Lock
1	STK-P-02400S	0	Powder Paint (Asa-61 Grey / Smooth)
1	STK-Q-46515	3	5412 ES Door Support with Brass Insert
10	STK-Q-07220	1	M6 Nylon Insert Lock Nut
2	STK-Q-46025-30-3	6	5412 ES Horizontal Door Stiffener 30" (3Pts)
2	STK-Q-46020-42	6	5412 ES Vertical Door Stiffener 42"
11	STK-Q-16055	1	M6 x 18mm Stud (No Paint Cap Required)
3	STK-K-09860	7	Cabinet Hinge with Captive Pins
1	5412ESDDHD426012LD-G	0	5412ESDDHD 42" x 29" Cover Gasket Part
1	5412ESDDHD426012LD-P	0	5412ESDDHD 42" x 60" Cover Part
QTY	Part Number	Rev	Description
Parts List			

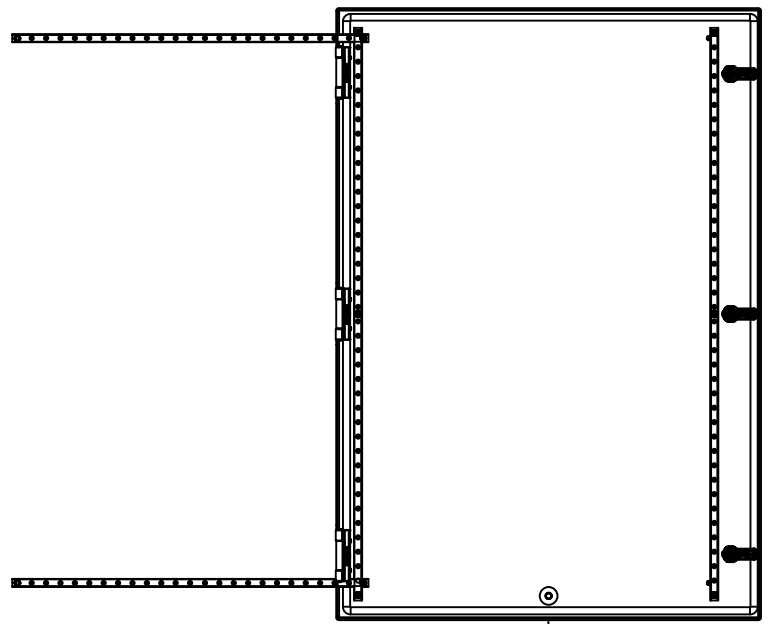
 Tél: (450) 979-4373 Fax: (450) 979-4626 <a href="http://www.exmweb.com">www.exmweb.com</a>		Flatness Aplatissement Max 3.0mm Projection 
Customer Client	Date	Date 25-Jan-26
Drawn By Dessiné Par	BoxCad: BoxCad	
Material Matière	12 Ga Cold Rolled A1008 CS Type B (2.5mm)	
Color Couleur	Asa-61 Grey	Finish Fini Smooth
Description	Detail Rev.	
5412ESDDHD 42" x 60" Cover		
Part Number Numéro Pièce	Rev.	10
<b>5412ESDDHD426012LD</b>	<b>0</b>	13

This drawing is confidential and must not be reproduced or used without the consent of EXM

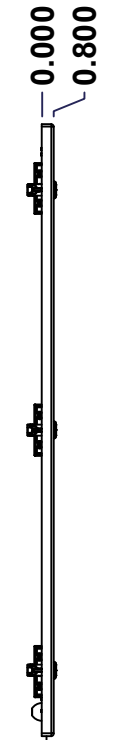
Ce dessin est confidentiel et ne doit pas être reproduit ou utilisé sans le consentement de EXM



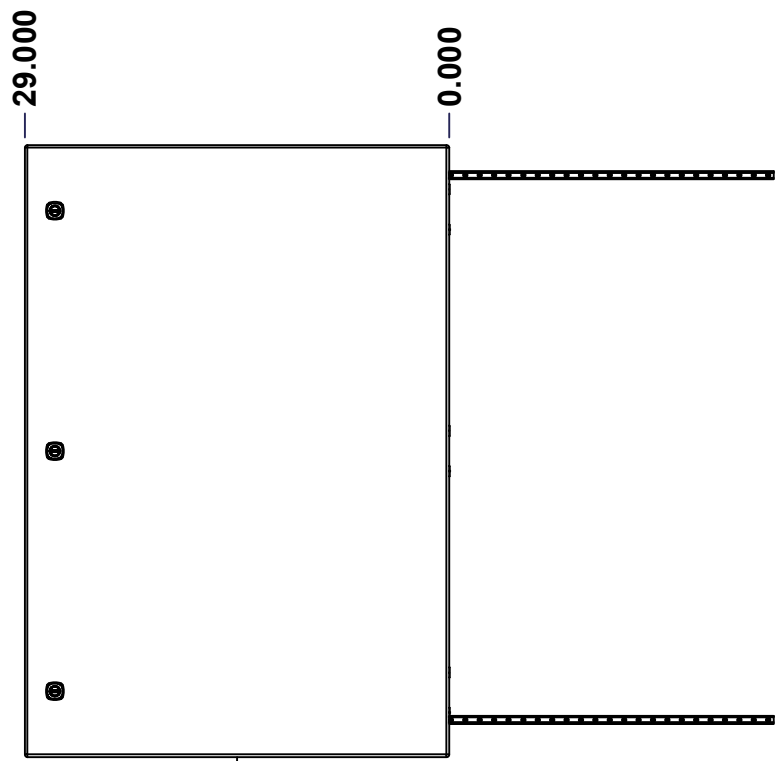
TOP



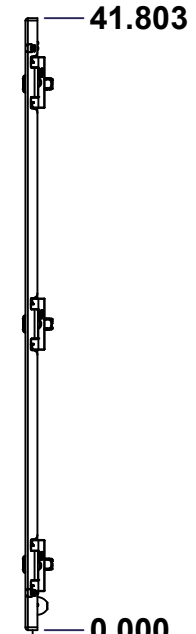
BACK



LEFT



FRONT

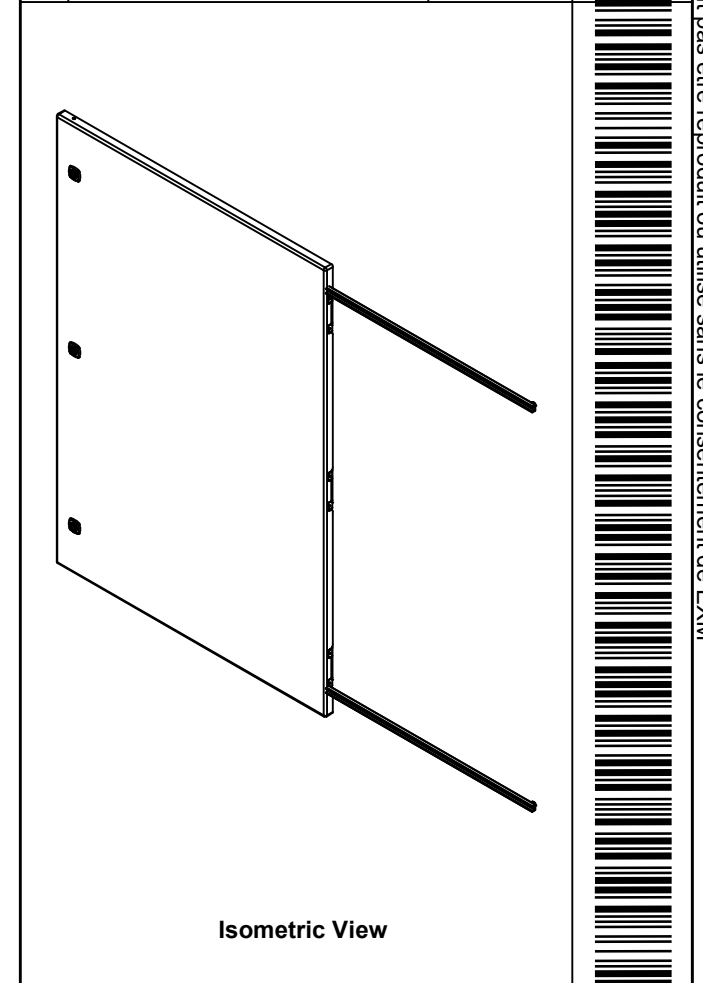


RIGHT




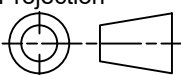
BOTTOM

No.	Revisions	Date	By/Par



Isometric View



 Tél: (450) 979-4373 Fax: (450) 979-4626 <a href="http://www.exmweb.com">www.exmweb.com</a>		Flatness Aplatissement Max 3.0mm Projection 
Customer Client	Date	
Drawn By Dessiné Par	BoxCad: BoxCad	Date 25-Jan-26
Material Matière	12 Ga Cold Rolled A1008 CS Type B (2.5mm)	
Color Couleur	Asa-61 Grey	Finish Fini Smooth
Description 5412ESDDHD 42" x 60" Cover		Detail Rev.
Part Number Numéro Pièce	Rev. 0	11 / 13

SEE BILL OF MATERIAL ON LAST PAGE

**5412ESDDHD426012RD**

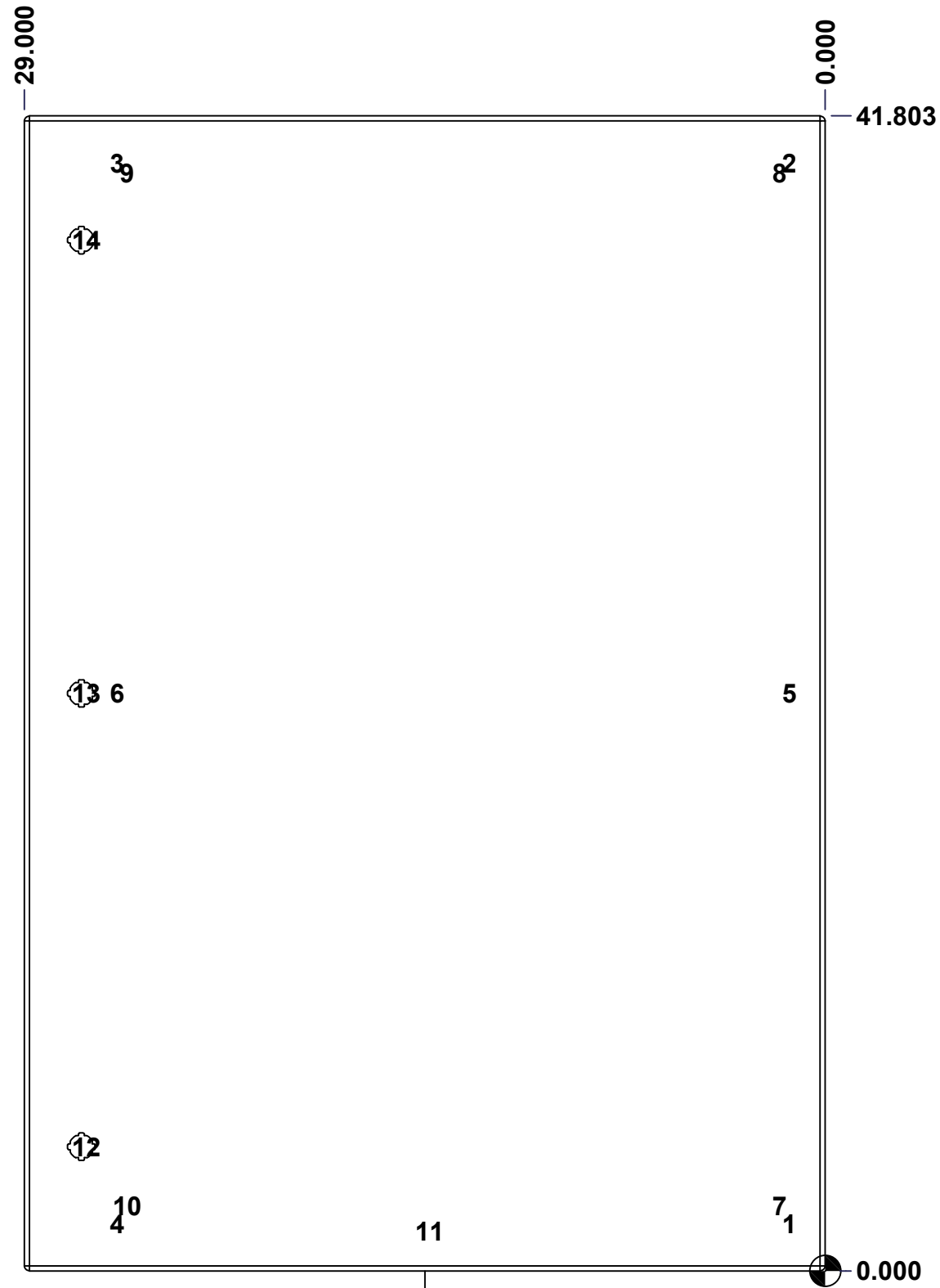
This drawing is confidential and must not be reproduced or used without the consent of EXM

Ce dessin est confidentiel et ne doit pas être reproduit ou utilisé sans le consentement de EXM

**STANDARD FEATURES ARE NOT LISTED IN THIS HOLE TABLE**

**HOLE TABLE - FRONT VIEW (CUSTOM FEATURE ONLY)**

CUT-OUT	XDIM	YDIM	DESCRIPTION
1	1.486	1.709	STUD M6 x 18mm (Inside)
2	1.486	40.094	STUD M6 x 18mm (Inside)
3	25.819	40.094	STUD M6 x 18mm (Inside)
4	25.819	1.709	STUD M6 x 18mm (Inside)
5	1.486	20.902	STUD M6 x 18mm (Inside)
6	25.819	20.902	STUD M6 x 18mm (Inside)
7	1.841	2.350	STUD M6 x 18mm (Inside)
8	1.841	39.733	STUD M6 x 18mm (Inside)
9	25.464	39.733	STUD M6 x 18mm (Inside)
10	25.464	2.350	STUD M6 x 18mm (Inside)
11	14.500	1.435	STUD M6 x 18mm (Inside)
-----			
12	26.938	4.496	LOCK 889 SCQ4-SL @ 180.0°
13	26.938	20.902	LOCK 889 SCQ4-SL @ 180.0°
14	26.938	37.308	LOCK 889 SCQ4-SL @ 180.0°



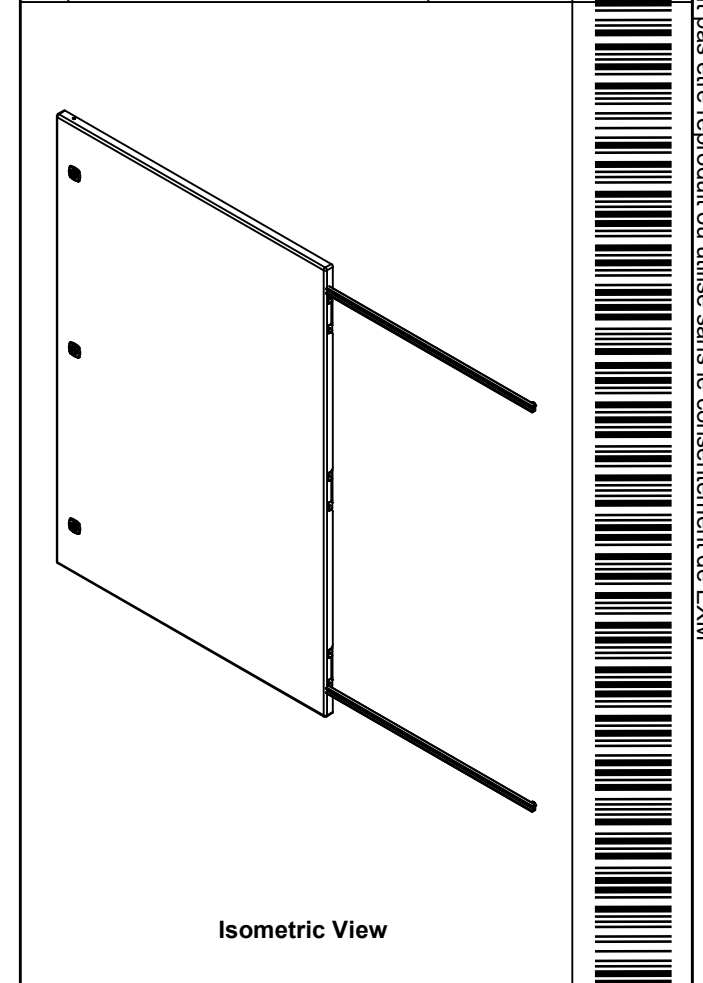
FRONT

	Description	Status
	5412ESDDHD 42" x 60" Cover	(NULL)
	Part Number Numéro Pièce	Rev.
	5412ESDDHD426012RD	0
		12
		13

This drawing is confidential and must not be reproduced or used without the consent of EXM

Ce dessin est confidentiel et ne doit pas être reproduit ou utilisé sans le consentement de EXM

No.	Revisions	Date	By/Par

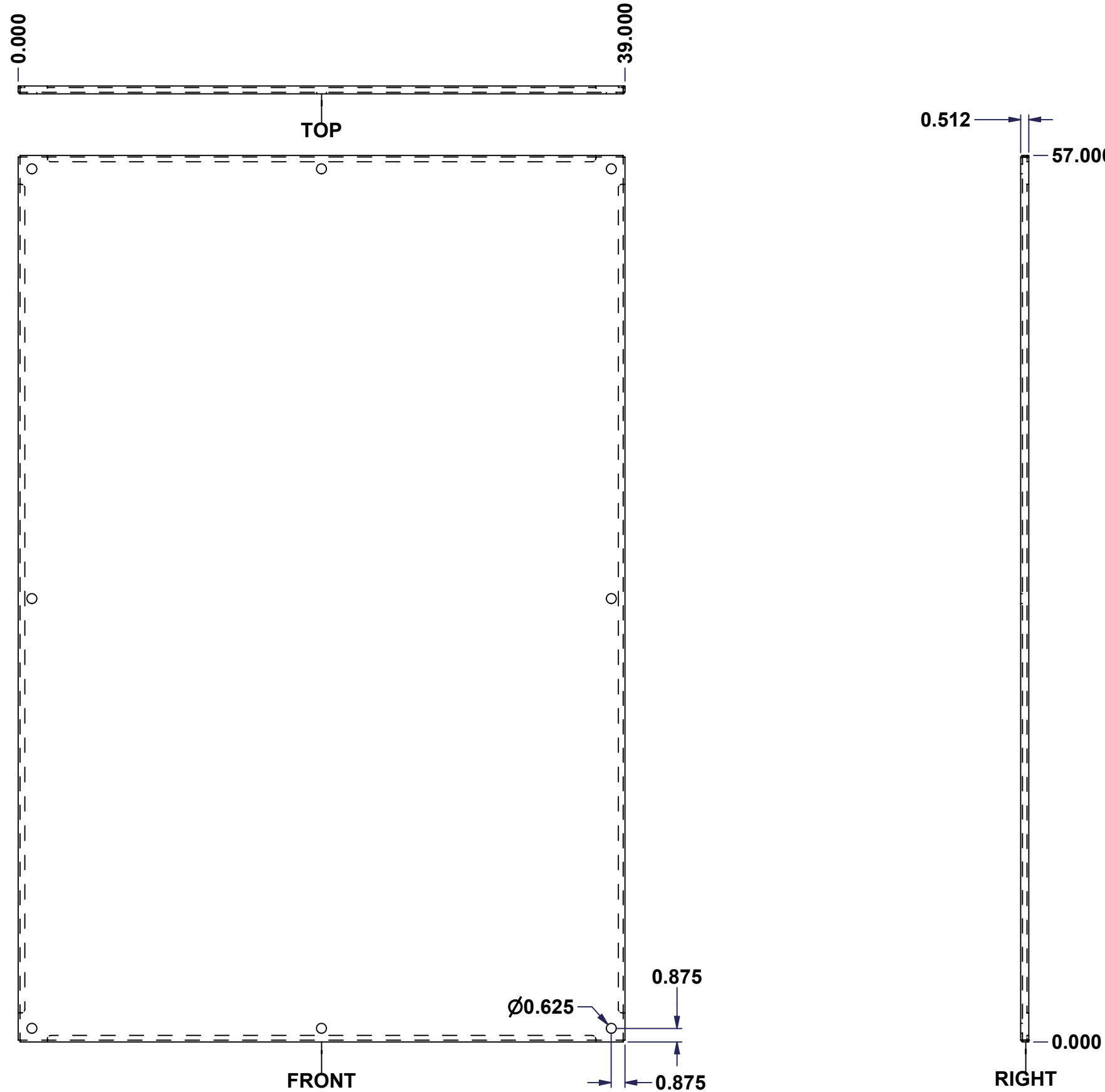


QTY	Part Number	Rev	Description
3	STK-K-12580	0	9412 1/4 Turn Lock
1	STK-P-02400S	0	Powder Paint (Asa-61 Grey / Smooth)
1	STK-Q-46515	3	5412 ES Door Support with Brass Insert
10	STK-Q-07220	1	M6 Nylon Insert Lock Nut
2	STK-Q-46025-30-3	6	5412 ES Horizontal Door Stiffener 30" (3Pts)
2	STK-Q-46020-42	6	5412 ES Vertical Door Stiffener 42"
11	STK-Q-16055	1	M6 x 18mm Stud (No Paint Cap Required)
3	STK-K-09860	7	Cabinet Hinge with Captive Pins
1	5412ESDDHD426012RD-G	0	5412ESDDHD 42" x 29" Cover Gasket Part
1	5412ESDDHD426012RD-P	0	5412ESDDHD 42" x 60" Cover Part
Parts List			

Tél: (450) 979-4373 Fax: (450) 979-4626 <a href="http://www.exmweb.com">www.exmweb.com</a>		Flatness Aplatissement Max 3.0mm Projection 
Customer Client	Date	Date 25-Jan-26
Drawn By Dessiné Par	BoxCad: BoxCad	
Material Matière	12 Ga Cold Rolled A1008 CS Type B (2.5mm)	
Color Couleur	Asa-61 Grey	Finish Fini Smooth
Description	Detail Rev.	
5412ESDDHD 42" x 60" Cover		
Part Number Numéro Pièce	Rev.	13
<b>5412ESDDHD426012RD</b>	<b>0</b>	13


This drawing is confidential and must not be reproduced or used without the consent of EXM


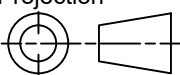
Ce dessin est confidentiel et ne doit pas être reproduit ou utilisé sans le consentement de EXM



No.	Revisions	Date	By/Par

**Isometric View**



 Tél: (450) 979-4373 Fax: (450) 979-4626 <a href="http://www.exmweb.com">www.exmweb.com</a>		Flatness Aplatissement
		Max 3.0mm
Projection 		Date
Customer Client		Date 01/03/2017
Drawn By / Dessiné Par: BoxCad: nickz		
Material / Matière: 12 Ga Galvanized (2.5mm)		
Color / Couleur: See Part List	Finish / Fini: See Part List	
Description: 885SP 60" x 42" Inner Panel Part		Detail Rev.
Part Number / Numéro Pièce: <b>885SP6042G</b>		Rev. 1

Qty	Part Number	Rev	Description	Material	Color	Finish
1	885SP6042G-P	0	885SP 60" x 42" Inner Panel Part	12 Ga Galvanized (2.5mm)	Unpainted	Galvanized

Parts List