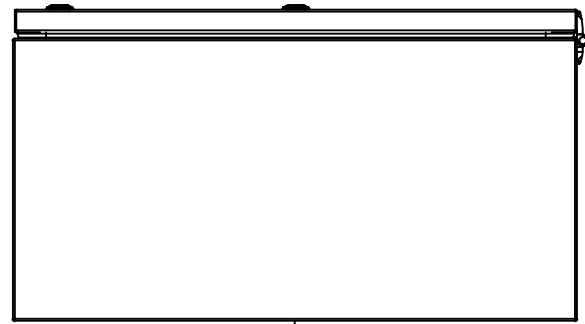
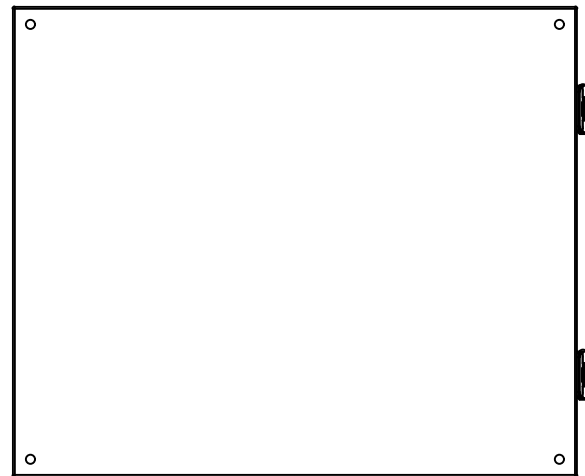


This drawing is confidential and must not be reproduced or used without the consent of EXM

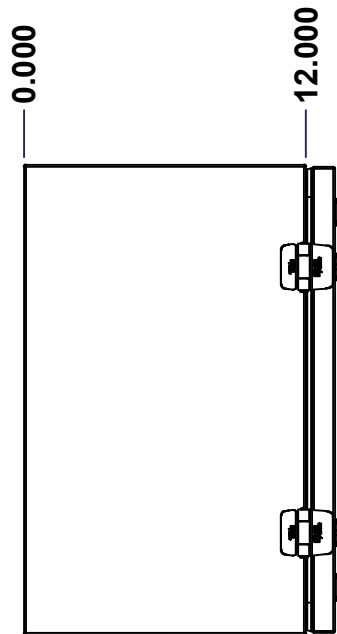
Ce dessin est confidentiel et ne doit pas être reproduit ou utilisé sans le consentement de EXM



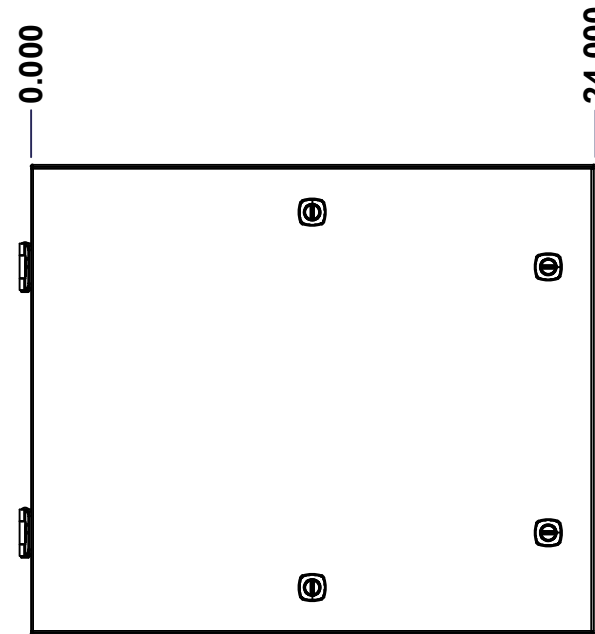
TOP



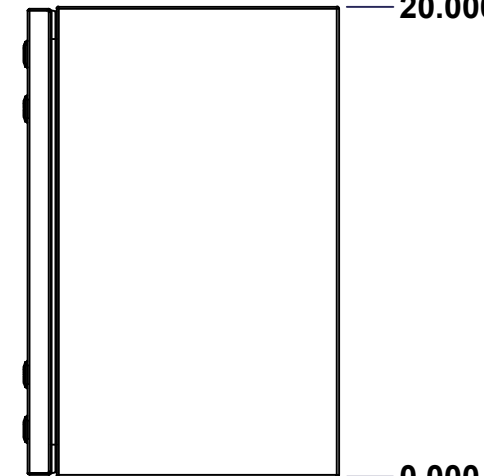
BACK



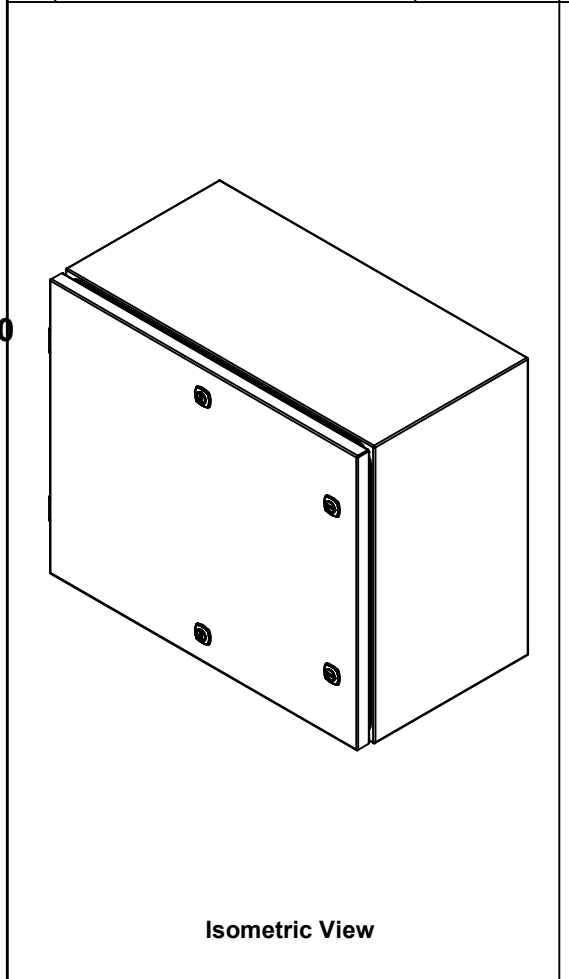
LEFT



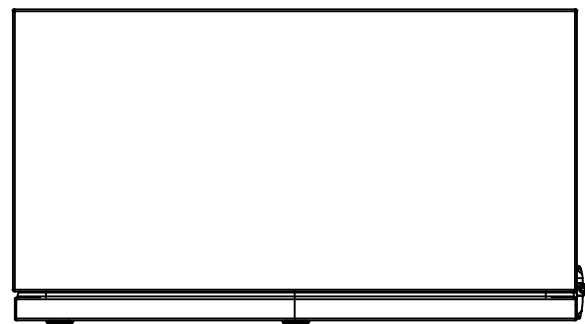
FRONT



RIGHT


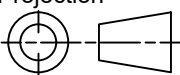


Isometric View



BOTTOM

| No. | Revisions | Date | By/Par |
|-----|-----------|------|--------|
| | | | |
| | | | |
| | | | |
| | | | |
| | | | |

| | | |
|--|---|---|
|  Tél: (450) 979-4373 Fax: (450) 979-4626 www.exmweb.com | | Flatness Aplatissement Max 3.0mm Projection  |
| Customer Client | Date | |
| Drawn By Dessiné Par | BoxCad: BoxCad | Date 04-Dec-24 |
| Material Matière | 16 Ga Cold Rolled A1008 CS Type B (1.4mm) | |
| Color Couleur | Asa-61 Grey | Finish Fini Smooth |
| Description | Detail Rev. | |
| 5412ESDG 20" x 24" x 12" Assembly | | |
| Part Number Numéro Pièce | Rev. | 1 |
| 5412ESDG202412 | 0 | 9 |

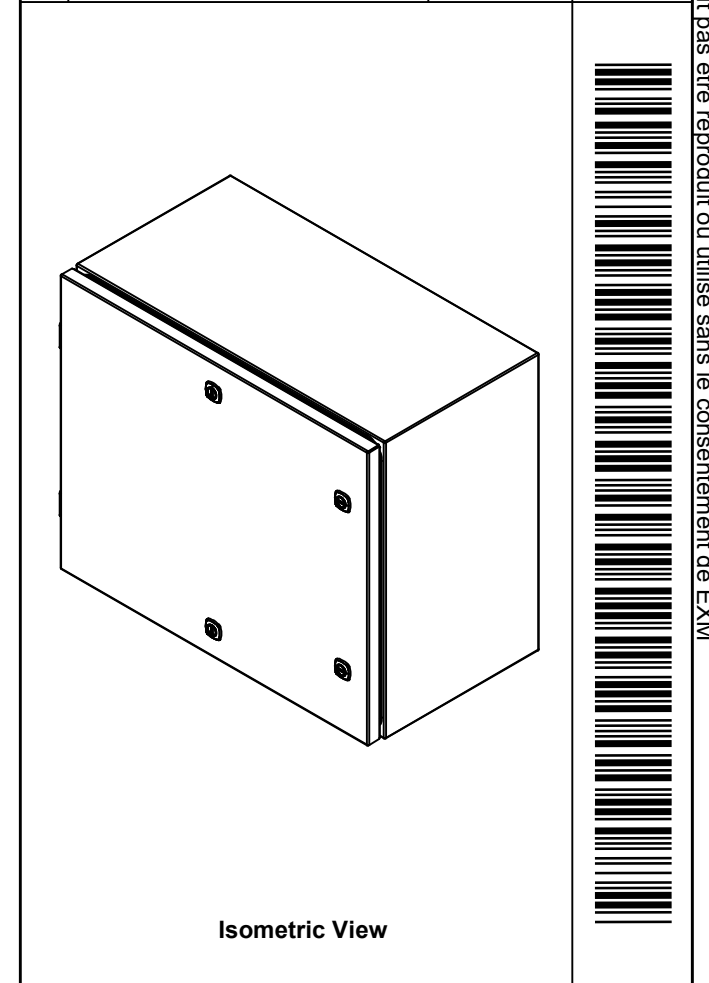
SEE BILL OF MATERIAL ON LAST PAGE


This drawing is confidential and must not be reproduced or used without the consent of EXM

Ce dessin est confidentiel et ne doit pas être reproduit ou utilisé sans le consentement de EXM

| NOTE | |
|------|--|
| ITEM | DESCRIPTION |
| 1 | NEMA 4, 12 Enclosure (IP66) |
| 2 | C/W Standard ground studs on box and cover |
| 3 | W/O Standard door stiffener |
| 4 | C/W Standard inner panel (Included) |
| 5 | C/W Standard inner panel mounting studs |

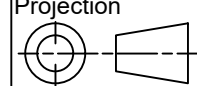
| No. | Revisions | Date | By/Par |
|-----|-----------|------|--------|
| | | | |
| | | | |
| | | | |
| | | | |
| | | | |
| | | | |





Tél: (450) 979-4373
Fax: (450) 979-4626
www.exmweb.com

Flatness
Aplatissement
Max 3.0mm

Projection


| | |
|---|-----------------|
| Customer Client | Date |
| Drawn By / Dessiné Par: BoxCad: BoxCad | Date: 04-Dec-24 |
| Material / Matière: 16 Ga Cold Rolled A1008 CS Type B (1.4mm) | |

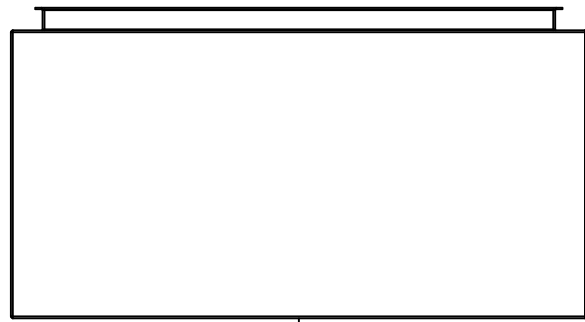
| PACKING | | |
|-----------------------|-----|--|
| ITEM | QTY | DESCRIPTION |
| Cardboard sleeve | 2 | Top and Bottom |
| Cardboard strip | 2 | Between back of enclosure and inner panel |
| Plastic bag | 1 | To protect cover surface and inside gasket |
| Plastic strap - Black | 2 | To Squeeze the 2 cardboard sleeve together |
| Packaging label | 1 | White label with product number |

| | | | |
|------------|-----------------|-----|-----------------------------------|
| 1 | STK-K-01800 | 5 | 5412 ES Accessory Kit |
| 1 | 885SP2420G | 0 | 885SP 24" x 20" Inner Panel Part |
| 2 | STK-K-01320 | 0 | 5412 ES Inner Panel Accessory Kit |
| 2 | STK-Q-07220 | 1 | M6 Nylon Insert Lock Nut |
| 2 | STK-Q-10252 | 0 | M6 Stainless Steel Sealing Washer |
| 1 | 5412ESDG202412C | 0 | 5412ESDG 20" x 24" Cover |
| 1 | 5412ESDG202412B | 0 | 5412ESDG 20" x 24" x 12" Body |
| Qty | Part Number | Rev | Description |
| Parts List | | | |

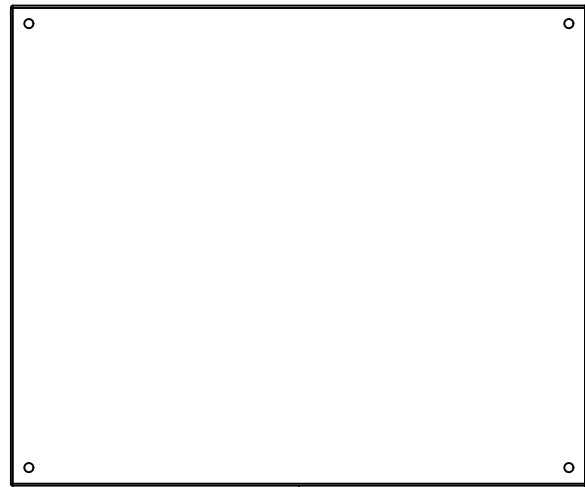
| | |
|---|-----------------------|
| Color / Couleur: Asa-61 Grey | Finish / Fini: Smooth |
| Description: 5412ESDG 20" x 24" x 12" Assembly | |
| Part Number / Numéro Pièce: 5412ESDG202412 | Rev. 0 |
| 2 / 9 | |

This drawing is confidential and must not be reproduced or used without the consent of EXM

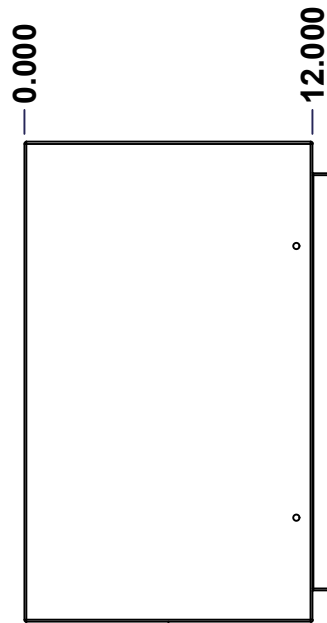
Ce dessin est confidentiel et ne doit pas être reproduit ou utilisé sans le consentement de EXM



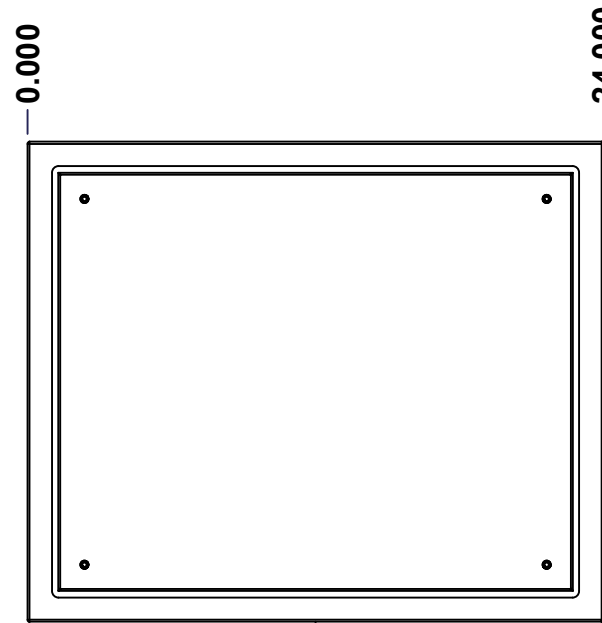
TOP



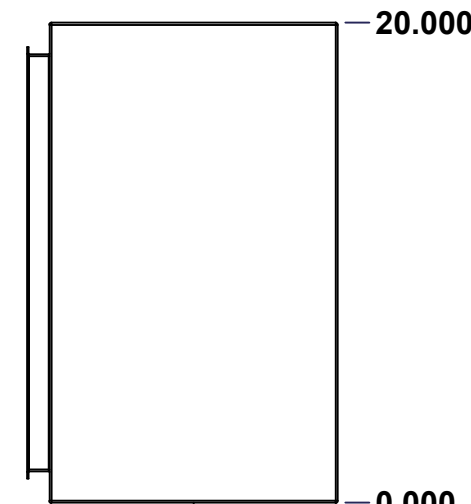
BACK



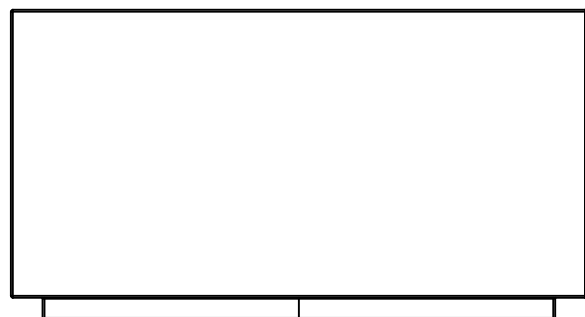
LEFT



FRONT

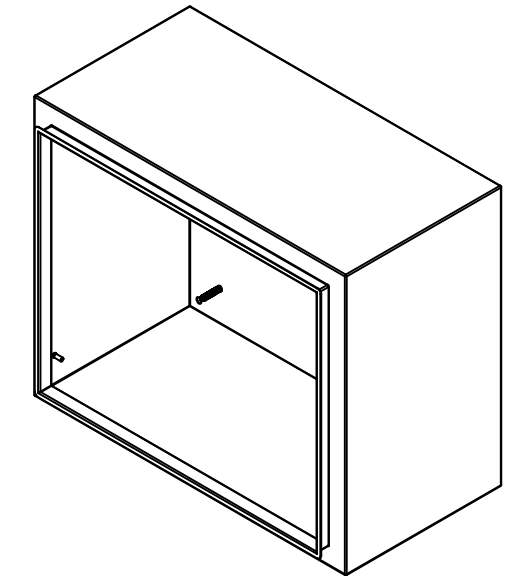


RIGHT



BOTTOM

| No. | Revisions | Date | By/Par |
|-----|-----------|------|--------|
| | | | |
| | | | |
| | | | |
| | | | |



Isometric View

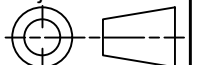


Tél: (450) 979-4373
 Fax: (450) 979-4626
www.exmweb.com

Flatness
Aplatissement

Max 3.0mm

Projection



| | |
|---|------------------------|
| Customer Client | Date |
| Drawn By Dessiné Par BoxCad: BoxCad | Date 04-Dec-24 |
| Material Matière 16 Ga Cold Rolled A1008 CS Type B (1.4mm) | |
| Color Couleur Asa-61 Grey | Finish Fini Smooth |
| Description 5412ESDG 20" x 24" x 12" Body | Detail Rev. |
| Part Number Numéro Pièce 5412ESDG202412B | Rev. 3 0 / 9 |

SEE BILL OF MATERIAL ON LAST PAGE

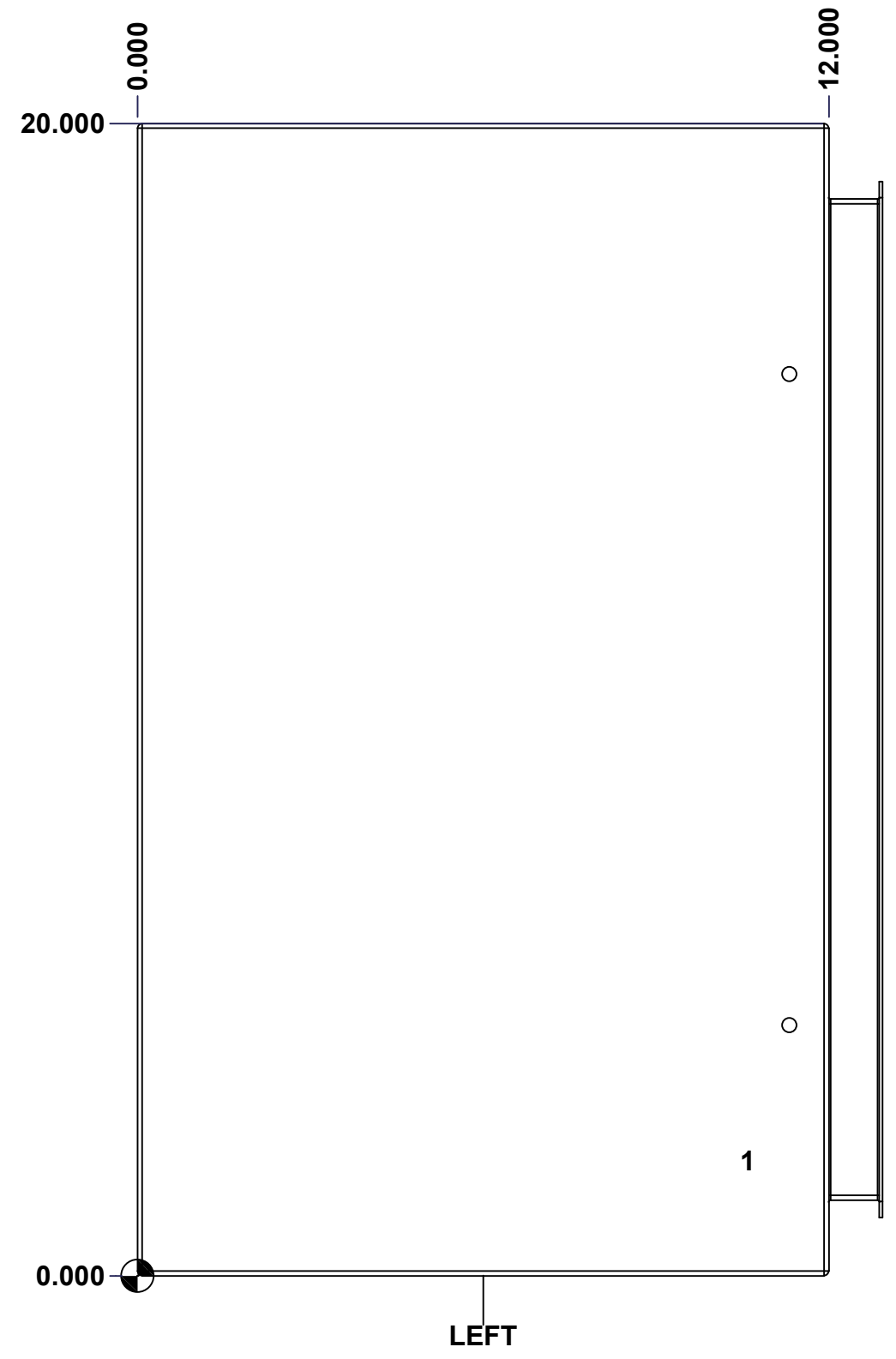
This drawing is confidential and must not be reproduced or used without the consent of EXM

Ce dessin est confidentiel et ne doit pas être reproduit ou utilisé sans le consentement de EXM

STANDARD FEATURES ARE NOT LISTED IN THIS HOLE TABLE

HOLE TABLE - LEFT VIEW (CUSTOM FEATURE ONLY)

| CUT-OUT | XDIM | YDIM | DESCRIPTION |
|---------|--------|-------|-----------------------------|
| 1 | 10.500 | 2.000 | GND STUD M6 x 16mm (Inside) |



| | | | |
|--|-------------------------------|----------|--------|
| | Description | Status | |
| | 5412ESDG 20" x 24" x 12" Body | (NULL) | |
| | Part Number Numéro Pièce | Rev. | |
| | 5412ESDG202412B | 0 | 4 9 |

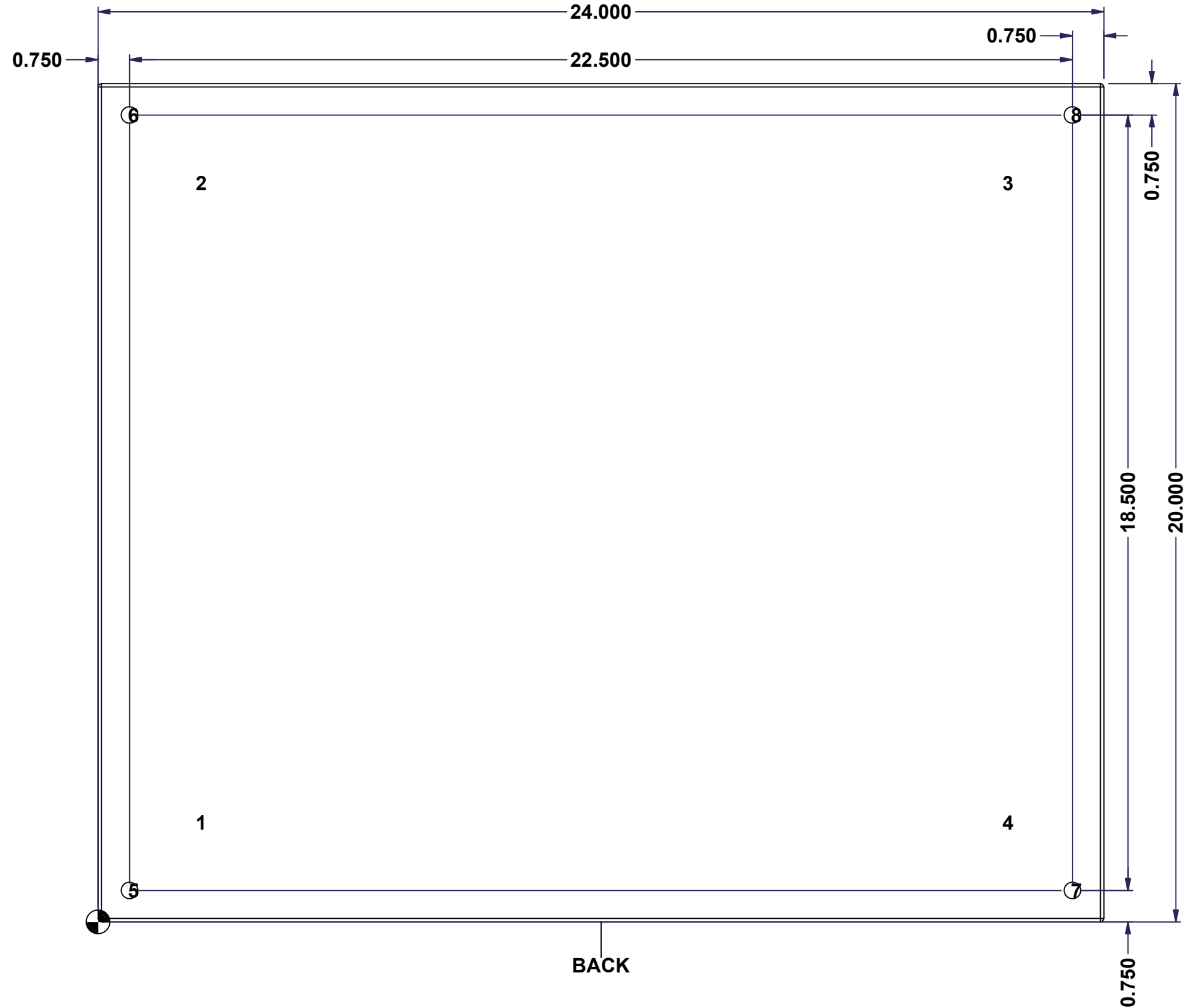
This drawing is confidential and must not be reproduced or used without the consent of EXM

Ce dessin est confidentiel et ne doit pas être reproduit ou utilisé sans le consentement de EXM

STANDARD FEATURES ARE NOT LISTED IN THIS HOLE TABLE

HOLE TABLE - BACK VIEW (CUSTOM FEATURE ONLY)

| CUT-OUT | XDIM | YDIM | DESCRIPTION |
|---------|--------|--------|----------------------------|
| 1 | 2.375 | 2.375 | IP STUD M8 x 35mm (Inside) |
| 2 | 2.375 | 17.625 | IP STUD M8 x 35mm (Inside) |
| 3 | 21.625 | 17.625 | IP STUD M8 x 35mm (Inside) |
| 4 | 21.625 | 2.375 | IP STUD M8 x 35mm (Inside) |
| ----- | | | |
| 5 | 0.750 | 0.750 | RND Ø0.390 |
| 6 | 0.750 | 19.250 | RND Ø0.390 |
| 7 | 23.250 | 0.750 | RND Ø0.390 |
| 8 | 23.250 | 19.250 | RND Ø0.390 |



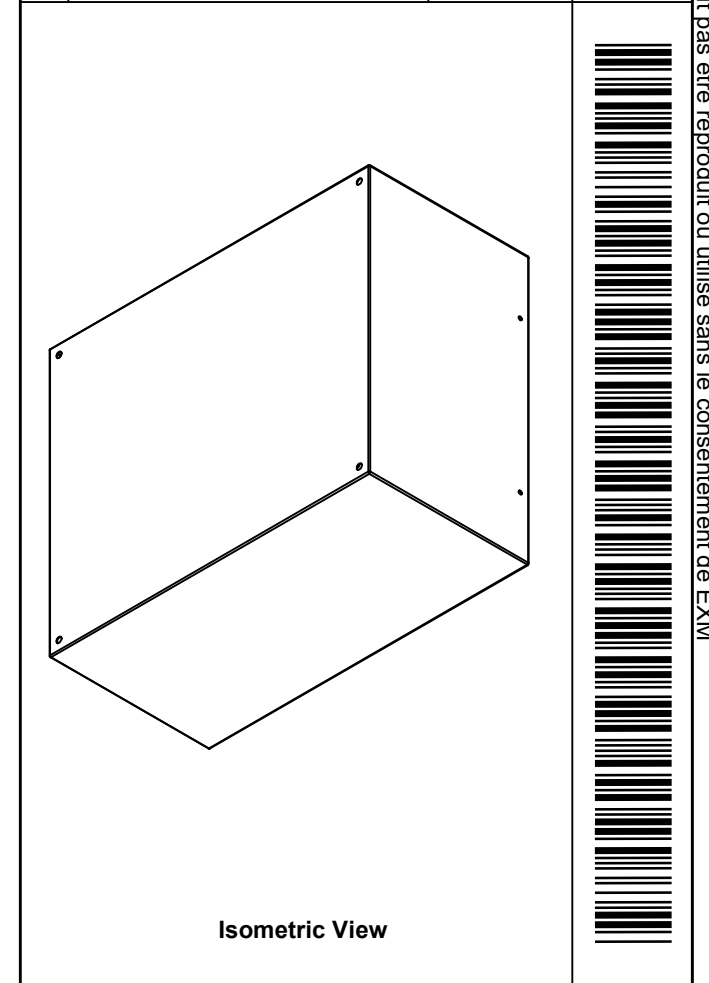
BACK


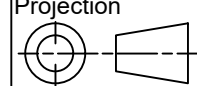
| | | | |
|--|-------------------------------|--------|---|
| | Description | Status | |
| | 5412ESDG 20" x 24" x 12" Body | (NULL) | |
| | Part Number | Rev. | 5 |
| | 5412ESDG202412B | 0 | 9 |

This drawing is confidential and must not be reproduced or used without the consent of EXM

Ce dessin est confidentiel et ne doit pas être reproduit ou utilisé sans le consentement de EXM

| No. | Revisions | Date | By/Par |
|-----|-----------|------|--------|
| | | | |
| | | | |
| | | | |
| | | | |
| | | | |

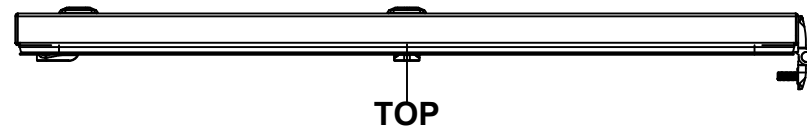


| | | |
|--|---|---|
|  Tél: (450) 979-4373 Fax: (450) 979-4626 www.exmweb.com | | Flatness Aplatissement Max 3.0mm Projection  |
| Customer Client | Date | |
| Drawn By Dessiné Par | BoxCad: BoxCad | Date 04-Dec-24 |
| Material Matière | 16 Ga Cold Rolled A1008 CS Type B (1.4mm) | |
| Color Couleur | Asa-61 Grey | Finish Fini Smooth |
| Description | | Detail Rev. |
| 5412ESDG 20" x 24" x 12" Body | | |
| Part Number Numéro Pièce | Rev. | 6 |
| 5412ESDG202412B | 0 | 9 |

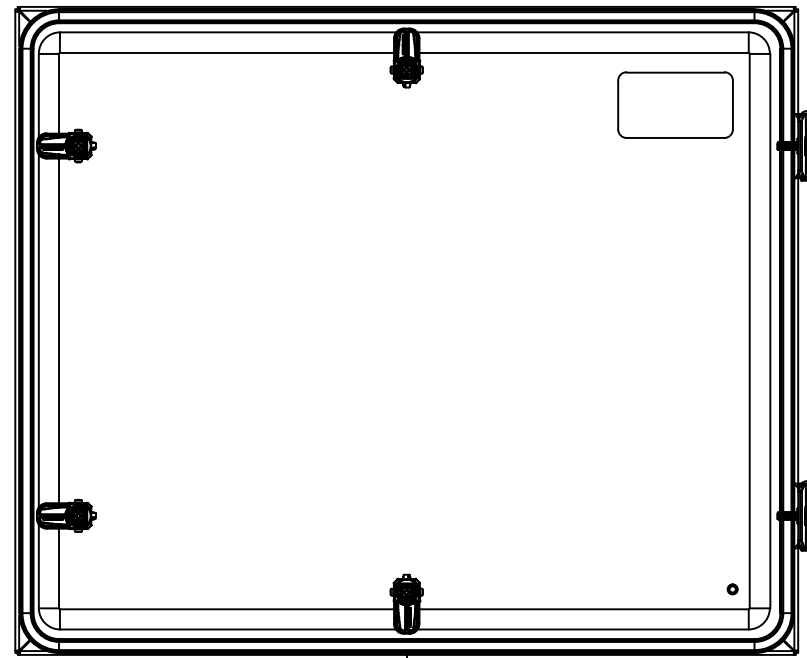
| Qty | Part Number | Rev | Description |
|------------|-------------------|-----|-------------------------------------|
| 1 | STK-Q-16080 | 0 | Ground Stud M6 x 16mm Steel |
| 1 | STK-P-02400S | 0 | Powder Paint (Asa-61 Grey / Smooth) |
| 4 | STK-Q-16005 | 0 | Stud M8 x 35mm Steel |
| 1 | 5412ESDG202412B-P | 0 | 5412ESDG 20" x 24" x 12" Body Part |
| Parts List | | | |

This drawing is confidential and must not be reproduced or used without the consent of EXM

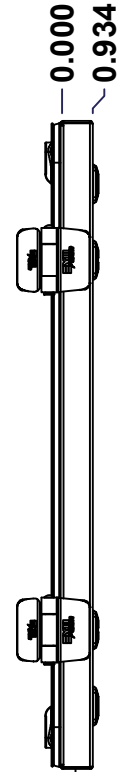
Ce dessin est confidentiel et ne doit pas être reproduit ou utilisé sans le consentement de EXM



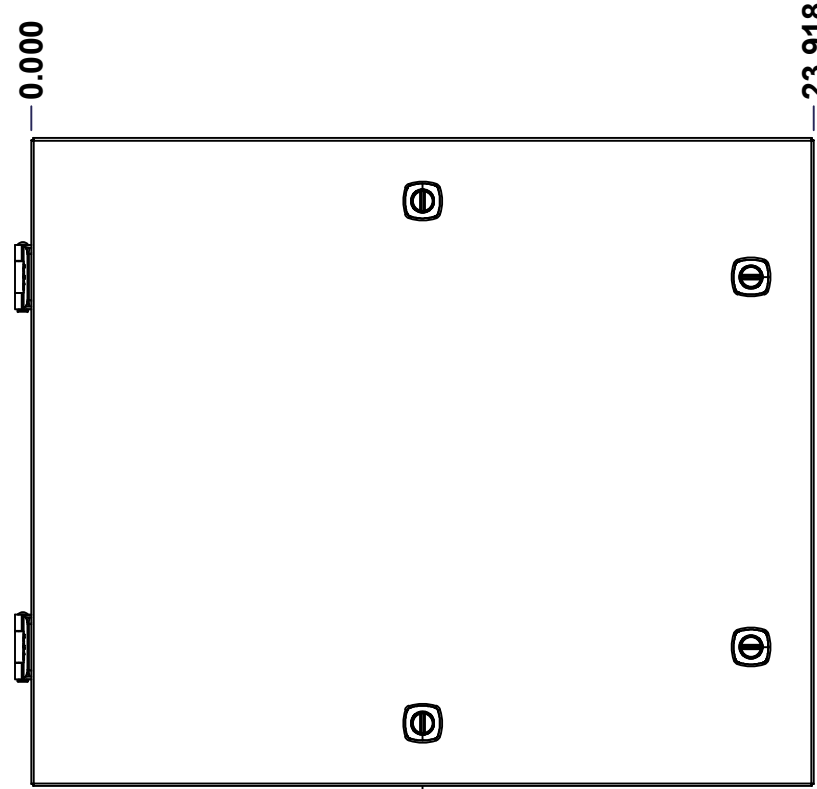
TOP



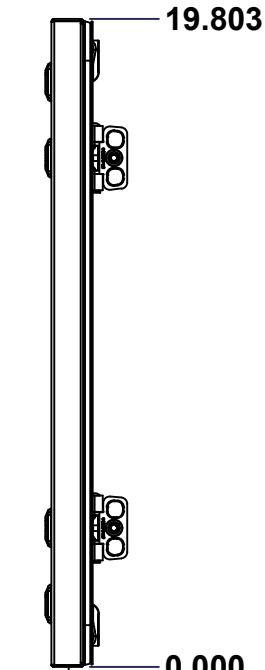
BACK



LEFT



FRONT

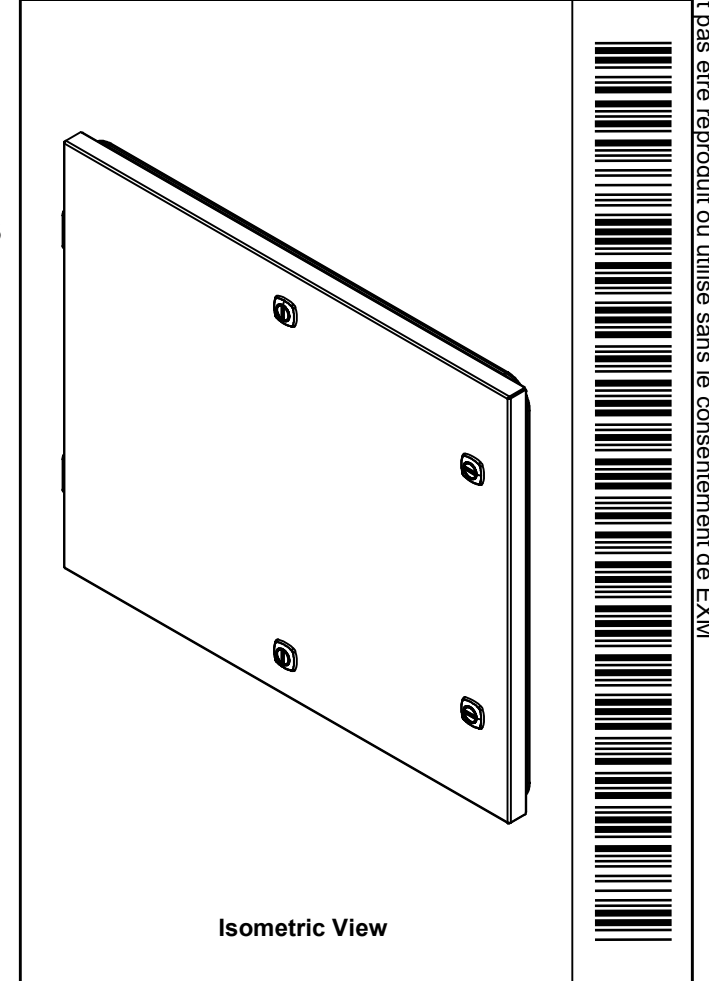



RIGHT



BOTTOM

| No. | Revisions | Date | By/Par |
|-----|-----------|------|--------|
| | | | |
| | | | |
| | | | |
| | | | |



| | | |
|--|-----------------------|---------------------------|
|  Tél: (450) 979-4373 Fax: (450) 979-4626 www.exmweb.com | | Flatness Aplatissement |
| | | Max 3.0mm |
| Customer Client | | Date |
| Drawn By Dessiné Par BoxCad: BoxCad | | Date 04-Dec-24 |
| Material Matière 16 Ga Cold Rolled A1008 CS Type B (1.4mm) | | |
| Color Couleur Asa-61 Grey | Finish Fini Smooth | |
| Description 5412ESDG 20" x 24" Cover | | Detail Rev. |
| Part Number Numéro Pièce 5412ESDG202412C | | Rev. 7 0 |

SEE BILL OF MATERIAL ON LAST PAGE

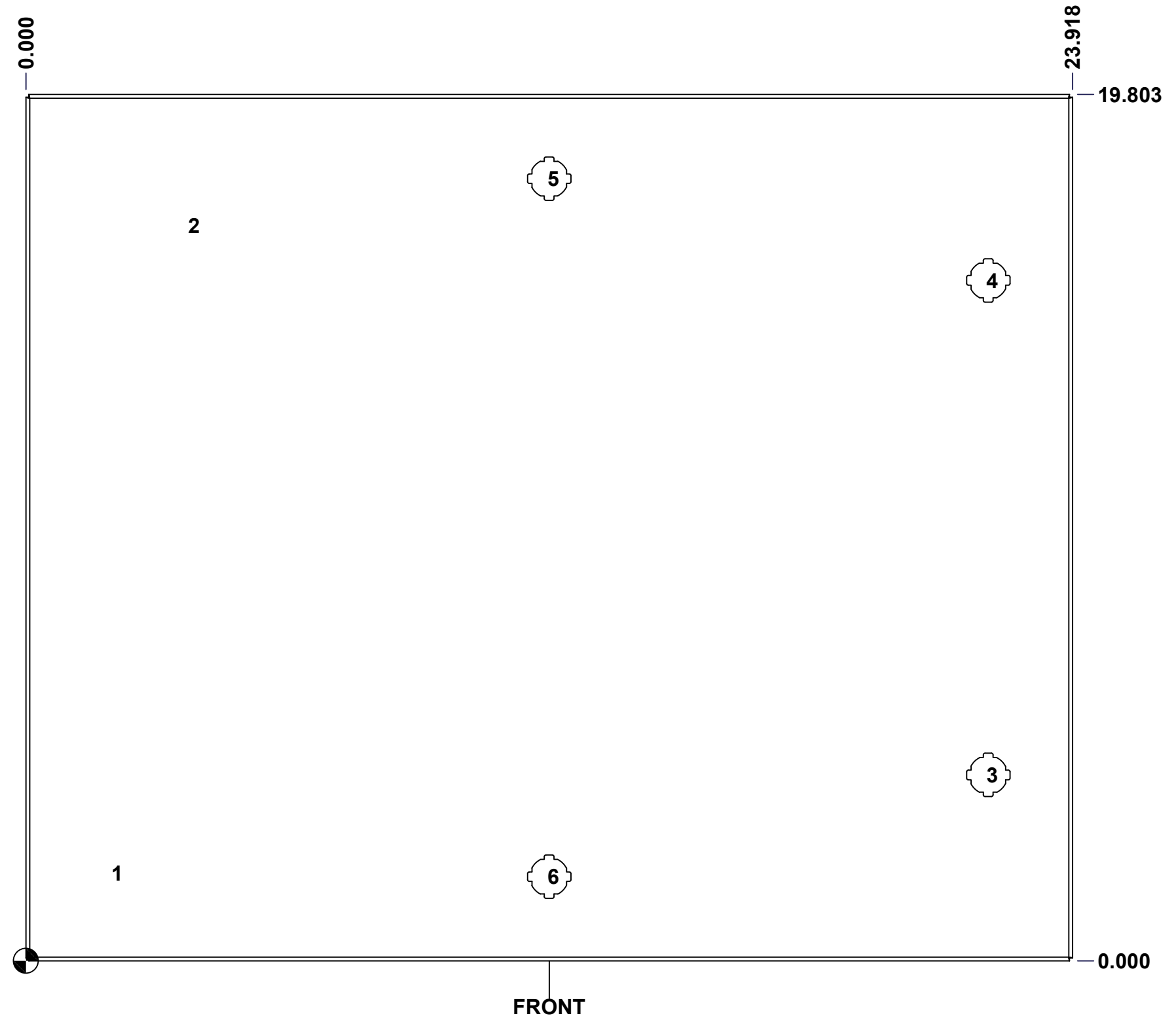
This drawing is confidential and must not be reproduced or used without the consent of EXM

Ce dessin est confidentiel et ne doit pas être reproduit ou utilisé sans le consentement de EXM

STANDARD FEATURES ARE NOT LISTED IN THIS HOLE TABLE

HOLE TABLE - FRONT VIEW (CUSTOM FEATURE ONLY)

| CUT-OUT | XDIM | YDIM | DESCRIPTION |
|---------|--------|--------|-----------------------------|
| 1 | 2.000 | 2.000 | GND STUD M6 x 16mm (Inside) |
| 2 | 3.750 | 16.803 | LABEL_EXM (Inside) |
| 3 | 21.994 | 4.250 | LOCK 880 SCQ4-SL @ 0.0° |
| 4 | 21.994 | 15.553 | LOCK 880 SCQ4-SL @ 0.0° |
| 5 | 11.959 | 17.879 | LOCK 880 SCQ4-SL @ 90.0° |
| 6 | 11.959 | 1.924 | LOCK 880 SCQ4-SL @ 270.0° |

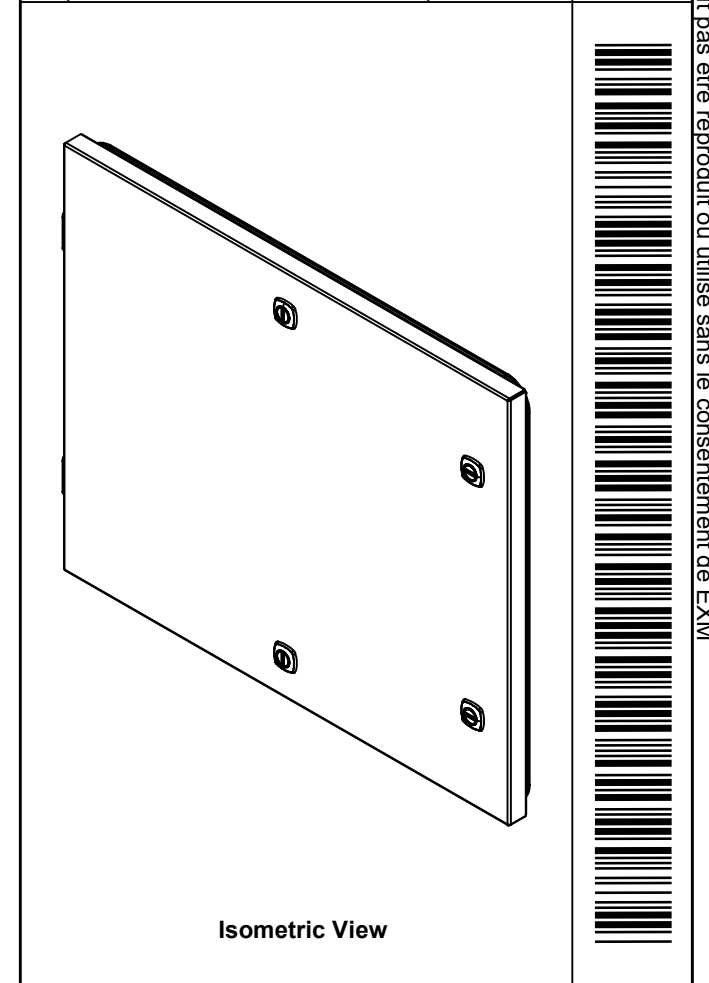


| | | |
|---|--------------------------|--------|
| | Description | Status |
| | 5412ESDG 20" x 24" Cover | (NULL) |
| Part Number Numéro Pièce 5412ESDG202412C | Rev. | 8 |
| | 0 | 9 |

This drawing is confidential and must not be reproduced or used without the consent of EXM

Ce dessin est confidentiel et ne doit pas être reproduit ou utilisé sans le consentement de EXM

| No. | Revisions | Date | By/Par |
|-----|-----------|------|--------|
| | | | |
| | | | |
| | | | |
| | | | |
| | | | |



EXM
exm

Tél: (450) 979-4373
Fax: (450) 979-4626
www.exmweb.com

Flatness
Aplatissement
Max 3.0mm

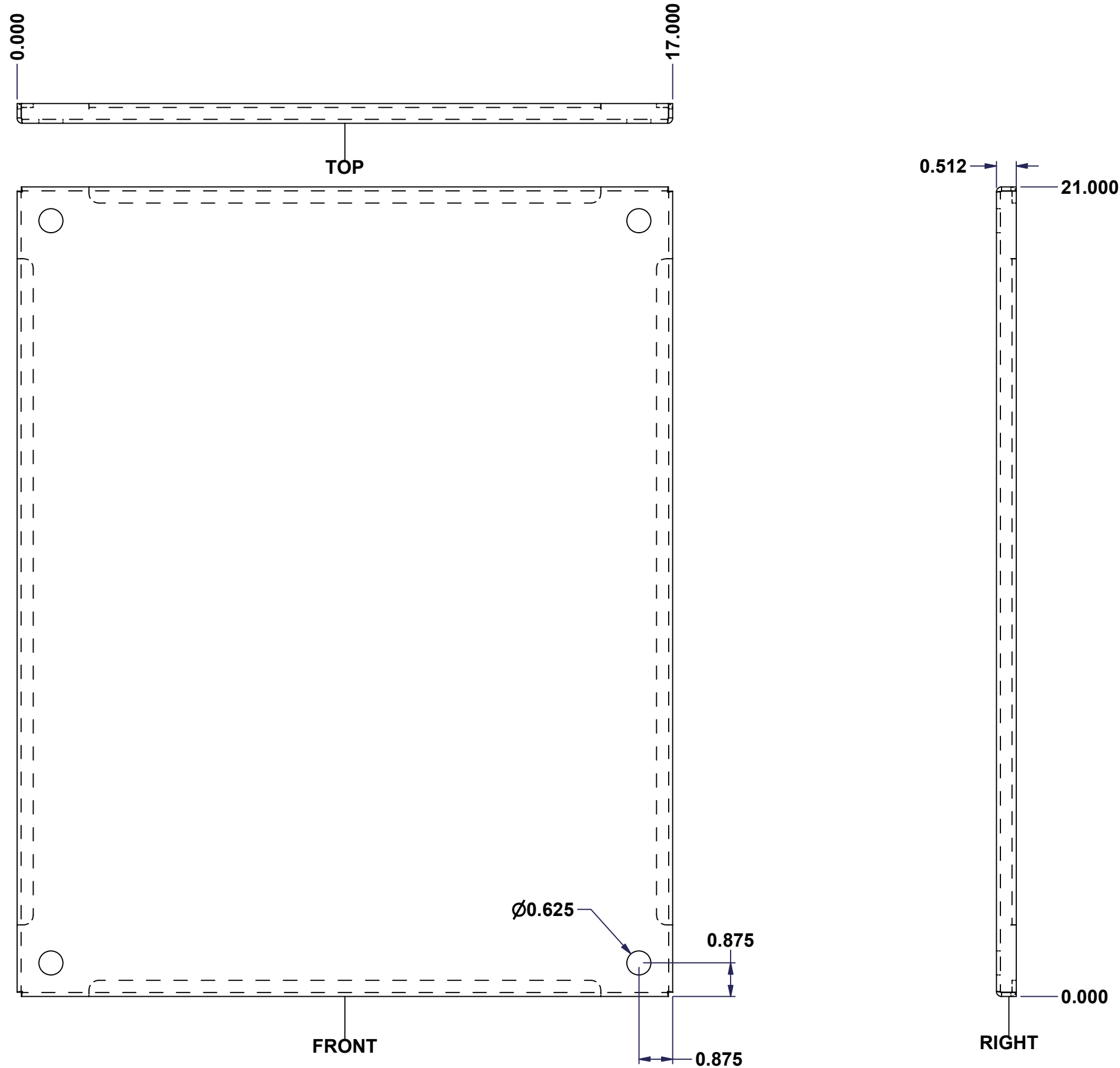
Projection

| 4 | STK-K-12500 | 19 | 5412 ES 1/4 Turn Lock |
|------------|-------------------|-----|--|
| 1 | STK-S-00100 | 0 | 3.5" x 2" Silver Milar Flexcon Sticker |
| 1 | STK-Q-16080 | 0 | Ground Stud M6 x 16mm Steel |
| 1 | STK-P-02400S | 0 | Powder Paint (Asa-61 Grey / Smooth) |
| 2 | STK-Q-07220 | 1 | M6 Nylon Insert Lock Nut |
| 2 | STK-Q-10252 | 0 | M6 Stainless Steel Sealing Washer |
| 2 | STK-A-02360 | 2 | External Hinge for Double Gasket |
| 1 | 5412ESDG202412G2 | 0 | 5412ESDG 20" x 24" Cover Gasket |
| 1 | 5412ESDG202412G | 0 | 5412ESDG 20" x 24" Cover Gasket |
| 1 | 5412ESDG202412C-P | 0 | 5412ESDG 20" x 24" Cover Part |
| QTY | Part Number | Rev | Description |
| Parts List | | | |

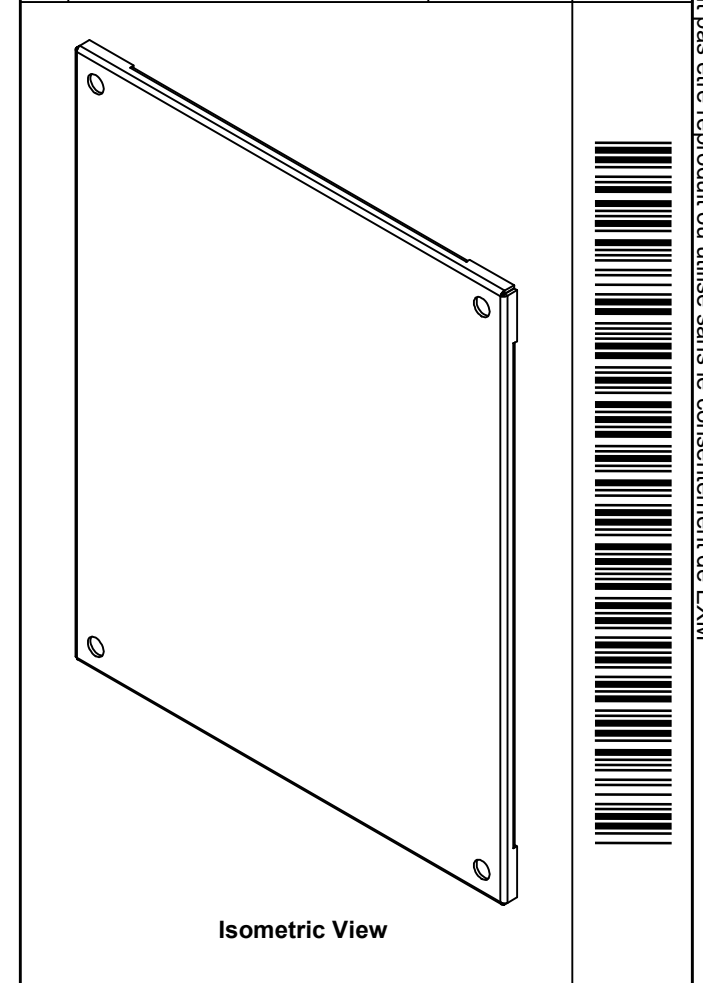
| | |
|---|-----------------------|
| Customer Client | Date |
| Drawn By Dessiné Par BoxCad: BoxCad | Date 04-Dec-24 |
| Material Matière 16 Ga Cold Rolled A1008 CS Type B (1.4mm) | |
| Color Couleur Asa-61 Grey | Finish Fini Smooth |
| Description 5412ESDG 20" x 24" Cover | Detail Rev. |
| Part Number Numéro Pièce 5412ESDG202412C | Rev. 0 |
| | 9 |


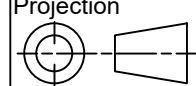
This drawing is confidential and must not be reproduced or used without the consent of EXM

Ce dessin est confidentiel et ne doit pas être reproduit ou utilisé sans le consentement de EXM



| No. | Revisions | Date | By/Par |
|-----|-----------|------|--------|
| | | | |
| | | | |
| | | | |
| | | | |
| | | | |



| | | |
|--|------------------------------|---|
|  Tél: (450) 979-4373 Fax: (450) 979-4626 www.exmweb.com | | Flatness Aplatissement Max 3.0mm Projection  |
| Customer Client | Date | |
| Drawn By / Dessiné Par: BoxCad: nickz | Date: 01/03/2017 | |
| Material / Matière: 12 Ga Galvanized (2.5mm) | | |
| Color / Couleur: See Part List | Finish / Fini: See Part List | |
| Description: 885SP 24" x 20" Inner Panel Part | | Detail Rev. |
| Part Number / Numéro Pièce: 885SP2420G | Rev.: | 1 |
| | | 1 |

| Qty | Part Number | Rev | Description | Material | Color | Finish |
|-----|--------------|-----|----------------------------------|--------------------------|-----------|------------|
| 1 | 885SP2420G-P | 0 | 885SP 24" x 20" Inner Panel Part | 12 Ga Galvanized (2.5mm) | Unpainted | Galvanized |

Parts List