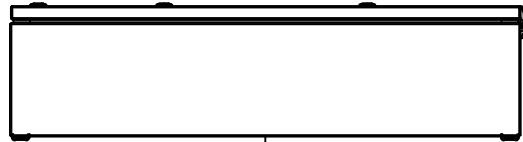
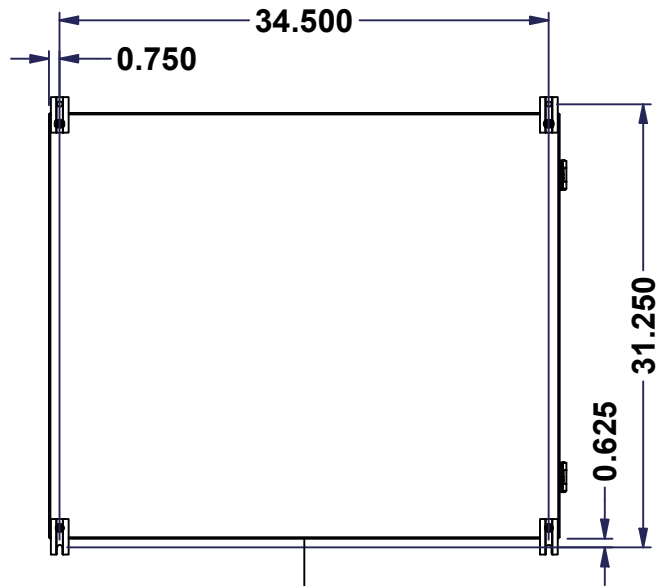


This drawing is confidential and must not be reproduced or used without the consent of EXM

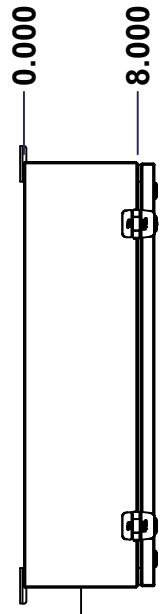
Ce dessin est confidentiel et ne doit pas être reproduit ou utilisé sans le consentement de EXM



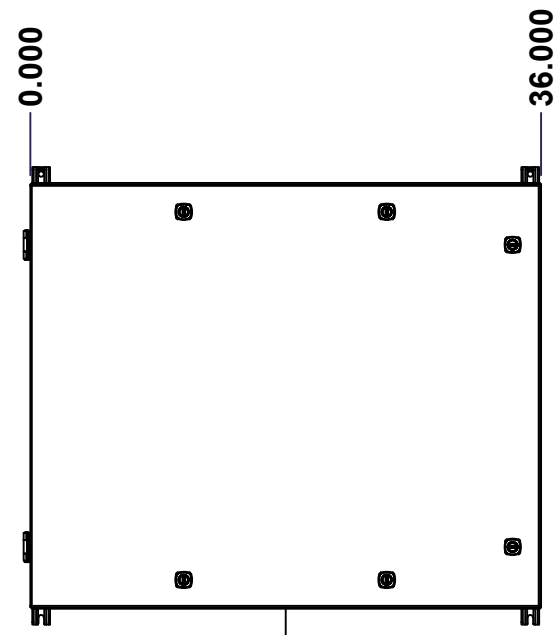
TOP



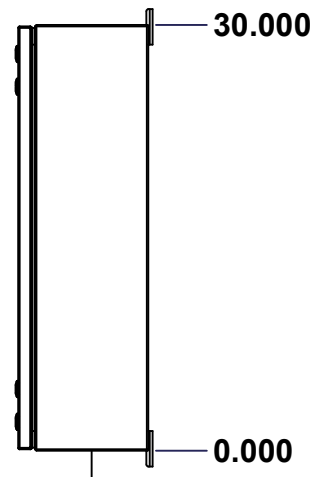
BACK



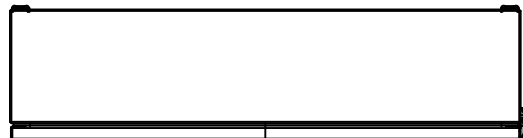
LEFT



FRONT

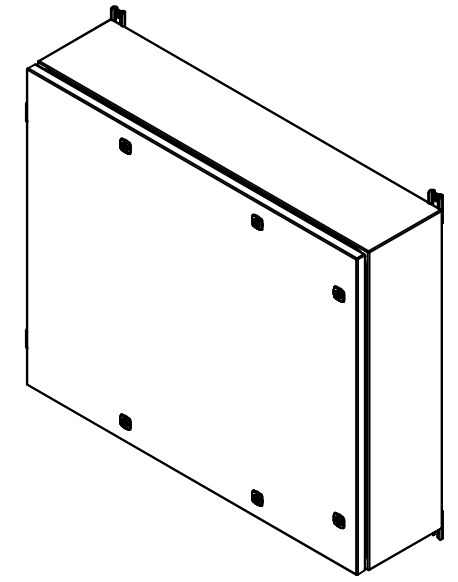


RIGHT



BOTTOM

| No. | Revisions | Date | By/Par |
|-----|-----------|------|--------|
|     |           |      |        |
|     |           |      |        |
|     |           |      |        |
|     |           |      |        |



Isometric View



Tél: (450) 979-4373  
 Fax: (450) 979-4626  
[www.exmweb.com](http://www.exmweb.com)

Flatness  
 Aplatissement  
 Max 3.0mm  
 Projection

|   |                 |
|---|-----------------|
| Customer Client   | Date            |
| Drawn By / Dessiné Par: BoxCad: BoxCad                        | Date: 01-Jan-25 |
| Material / Matière: 14 Ga Cold Rolled A1008 CS Type B (1.7mm) |                 |

|                              |                       |
|------------------------------|-----------------------|
| Color / Couleur: Asa-61 Grey | Finish / Fini: Smooth |
|------------------------------|-----------------------|

|   |             |
|---|-------------|
| Description: 5412ESDG 30" x 36" x 8" Assembly | Detail Rev. |
|---|-------------|

|  |        |   |
|--|--------|---|
| Part Number / Numéro Pièce: 5412ESDG303608TH | Rev. 0 | 1 |
|--|--------|---|

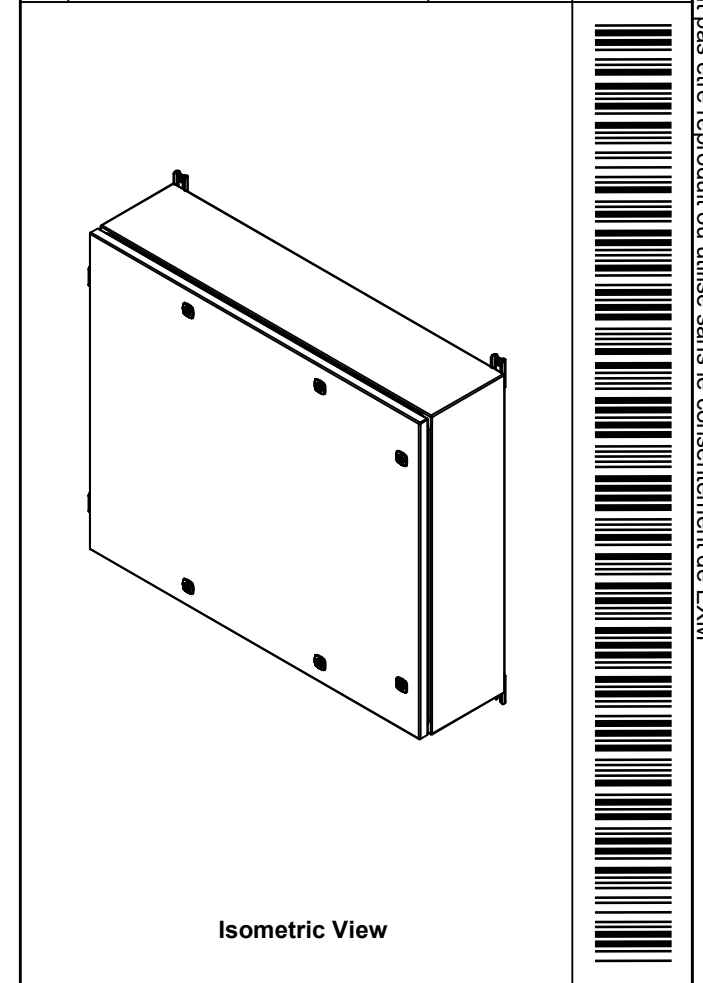
SEE BILL OF MATERIAL ON LAST PAGE


This drawing is confidential and must not be reproduced or used without the consent of EXM

Ce dessin est confidentiel et ne doit pas être reproduit ou utilisé sans le consentement de EXM

| NOTE |   |
|------|---|
| ITEM | DESCRIPTION                                     |
| 1    | NEMA 4, 12 Enclosure (IP66)                     |
| 2    | C/W Standard ground studs on box and cover      |
| 3    | C/W Standard door stiffener                     |
| 4    | C/W Standard inner panel (Included)             |
| 5    | C/W Standard inner panel mounting studs         |
| 6    | C/W 885 ESMF3_CLOSE Sold separately (Installed) |
| 7    | C/W 885 ESMF3_OPEN Sold separately (Installed)  |
| 8    | C/W R5 Insulation (Installed aluminum visible)  |

| No. | Revisions | Date | By/Par |
|-----|-----------|------|--------|
|     |           |      |        |
|     |           |      |        |
|     |           |      |        |
|     |           |      |        |
|     |           |      |        |
|     |           |      |        |

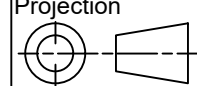




Tél: (450) 979-4373  
Fax: (450) 979-4626  
[www.exmweb.com](http://www.exmweb.com)

Flatness  
Aplatissement  
Max 3.0mm

Projection



|   |                 |
|---|-----------------|
| Customer Client   | Date            |
| Drawn By / Dessiné Par: BoxCad: BoxCad                        | Date: 01-Jan-25 |
| Material / Matière: 14 Ga Cold Rolled A1008 CS Type B (1.7mm) |                 |

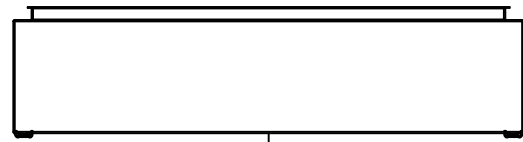
| PACKING               |     |  |
|-----------------------|-----|--|
| ITEM                  | QTY | DESCRIPTION                                |
| Cardboard sleeve      | 2   | Top and Bottom                             |
| Cardboard strip       | 2   | Between back of enclosure and inner panel  |
| Plastic bag           | 1   | To protect cover surface and inside gasket |
| Plastic strap - Black | 2   | To Squeeze the 2 cardboard sleeve together |
| Packaging label       | 1   | White label with product number            |

|            |                   |     |                                   |
|------------|-------------------|-----|-----------------------------------|
| 6          | STK-Q-00600       | 2   | M12 to M8 Adaptor                 |
| 1          | 885SP3630G        | 0   | 885SP 36" x 30" Inner Panel Part  |
| 1          | STK-K-01800       | 5   | 5412 ES Accessory Kit             |
| 2          | STK-Q-10252       | 0   | M6 Stainless Steel Sealing Washer |
| 1          | 5412ESDG303608THC | 0   | 5412ESDG 30" x 36" Cover          |
| 1          | 5412ESDG303608THB | 0   | 5412ESDG 30" x 36" x 8" Body      |
| 2          | STK-Q-07220       | 1   | M6 Nylon Insert Lock Nut          |
| Qty        | Part Number       | Rev | Description                       |
| Parts List |                   |     |                                   |

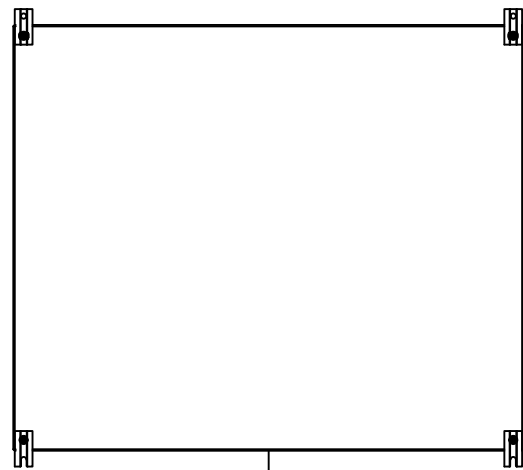
|   |                       |
|---|-----------------------|
| Color / Couleur: Asa-61 Grey                        | Finish / Fini: Smooth |
| Description: 5412ESDG 30" x 36" x 8" Assembly       |                       |
| Part Number / Numéro Pièce: <b>5412ESDG303608TH</b> | Rev. 0                |
| 2 / 16  |                       |

This drawing is confidential and must not be reproduced or used without the consent of EXM

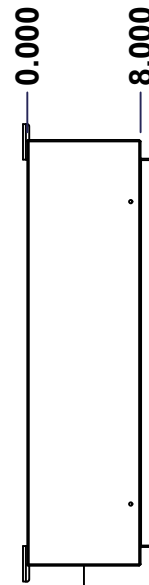
Ce dessin est confidentiel et ne doit pas être reproduit ou utilisé sans le consentement de EXM



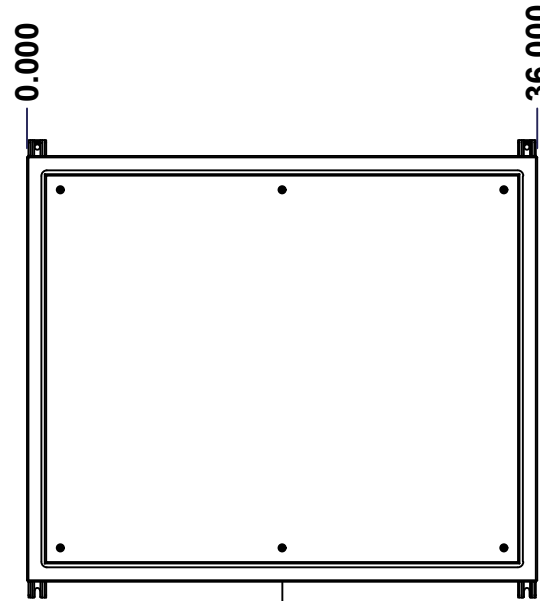
TOP



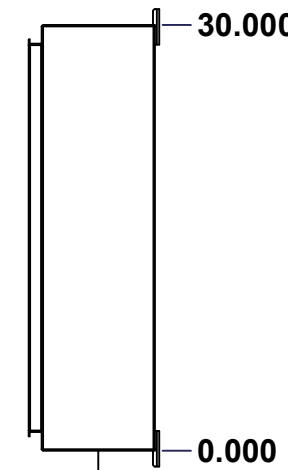
BACK



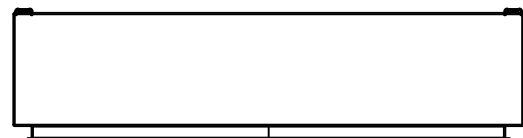
LEFT



FRONT

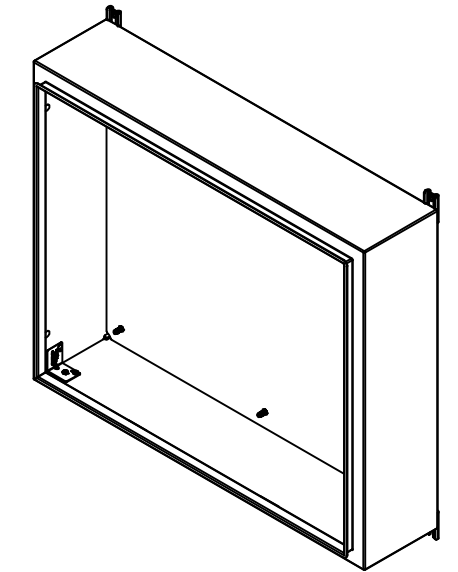


RIGHT




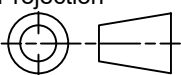
BOTTOM

| No. | Revisions | Date | By/Par |
|-----|-----------|------|--------|
|     |           |      |        |
|     |           |      |        |
|     |           |      |        |
|     |           |      |        |



Isometric View



|  |   |   |
|--|---|---|
|  Tél: (450) 979-4373<br>Fax: (450) 979-4626<br><a href="http://www.exmweb.com">www.exmweb.com</a> |   | Flatness<br>Aplatissement<br>Max 3.0mm<br>Projection<br> |
| Customer Client  | Date                                      |   |
| Drawn By<br>Dessiné Par  | BoxCad: BoxCad                            | Date 01-Jan-25  |
| Material<br>Matière  | 14 Ga Cold Rolled A1008 CS Type B (1.7mm) |   |
| Color<br>Couleur   | Asa-61 Grey                               | Finish<br>Fini Smooth   |
| Description  | Detail Rev.                               |   |
| 5412ESDG 30" x 36" x 8" Body   |   |   |
| Part Number<br>Numéro Pièce  | Rev. 0                                    | 3 / 16  |

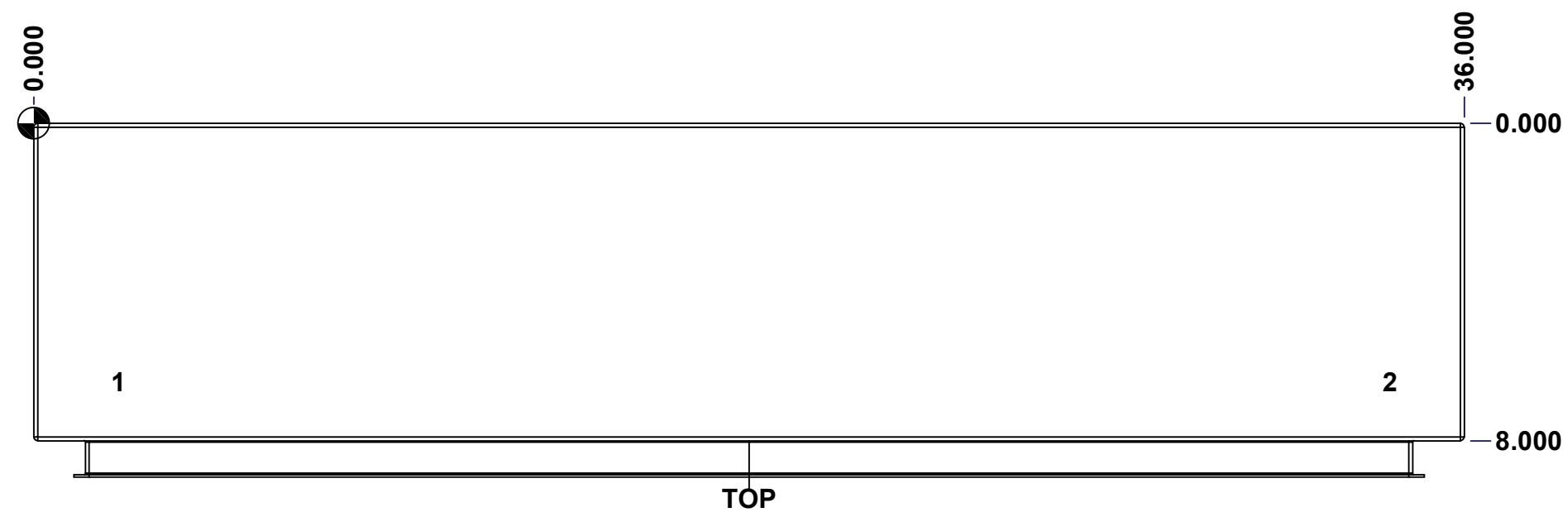
SEE BILL OF MATERIAL ON LAST PAGE

**5412ESDG303608THB**

This drawing is confidential and must not be reproduced or used without the consent of EXM

Ce dessin est confidentiel et ne doit pas être reproduit ou utilisé sans le consentement de EXM

| STANDARD FEATURES ARE NOT LISTED IN THIS HOLE TABLE |        |       |                                |
|---|--------|-------|--------------------------------|
| HOLE TABLE - TOP VIEW (CUSTOM FEATURE ONLY)         |        |       |                                |
| CUT-OUT   | XDIM   | YDIM  | DESCRIPTION                    |
| 1   | 2.000  | 6.500 | INSUL. STUD M6 x 18mm (Inside) |
| 2   | 34.000 | 6.500 | INSUL. STUD M6 x 18mm (Inside) |

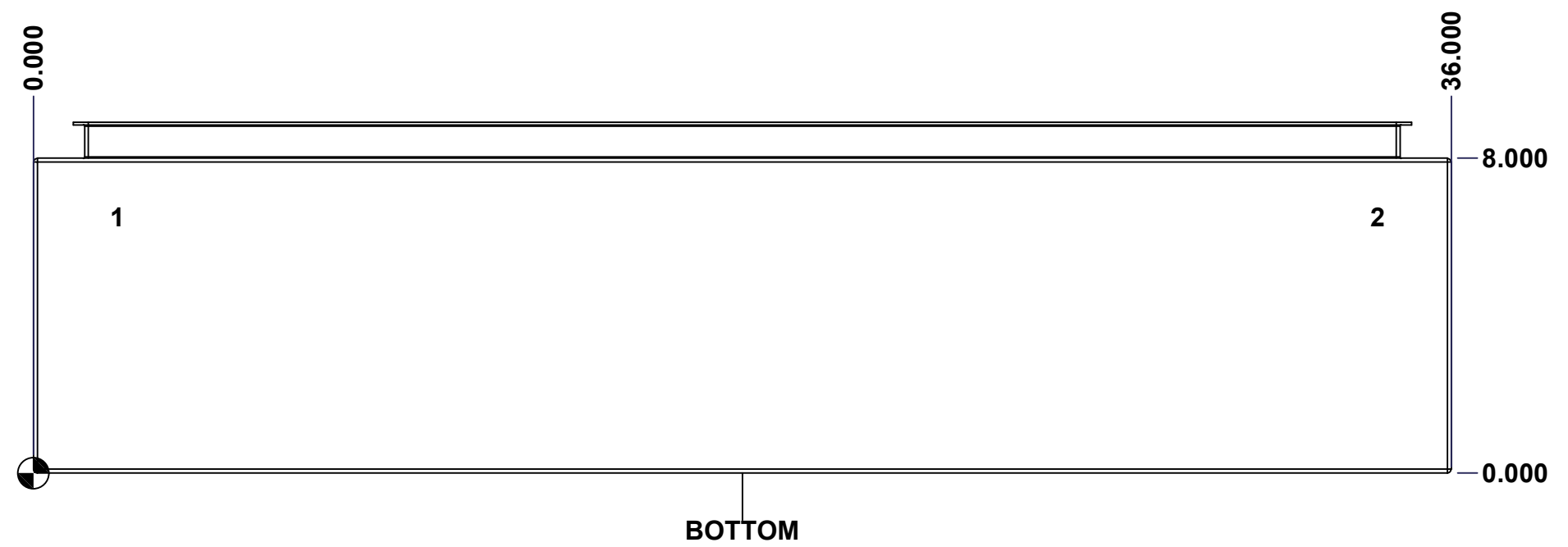


|  |                              |              |
|--|------------------------------|--------------|
|  | Description                  | Status       |
|  | 5412ESDG 30" x 36" x 8" Body | (NULL)       |
|  | Part Number<br>Numéro Pièce  | Rev.         |
|  | <b>5412ESDG303608THB</b>     | <b>0</b> / 4 |
|  |                              | 16           |

This drawing is confidential and must not be reproduced or used without the consent of EXM

Ce dessin est confidentiel et ne doit pas être reproduit ou utilisé sans le consentement de EXM

| <b>STANDARD FEATURES ARE NOT LISTED IN THIS HOLE TABLE</b> |        |       |                                |
|--|--------|-------|--------------------------------|
| <b>HOLE TABLE - BOTTOM VIEW (CUSTOM FEATURE ONLY)</b>      |        |       |                                |
| CUT-OUT  | XDIM   | YDIM  | DESCRIPTION                    |
| 1  | 2.000  | 6.500 | INSUL. STUD M6 x 18mm (Inside) |
| 2  | 34.000 | 6.500 | INSUL. STUD M6 x 18mm (Inside) |



|  |                              |          |
|--|------------------------------|----------|
|  | Description                  | Status   |
|  | 5412ESDG 30" x 36" x 8" Body | (NULL)   |
|  | Part Number<br>Numéro Pièce  | Rev.     |
|  | <b>5412ESDG303608THB</b>     | <b>0</b> |
|  |                              | 5        |
|  |                              | 16       |

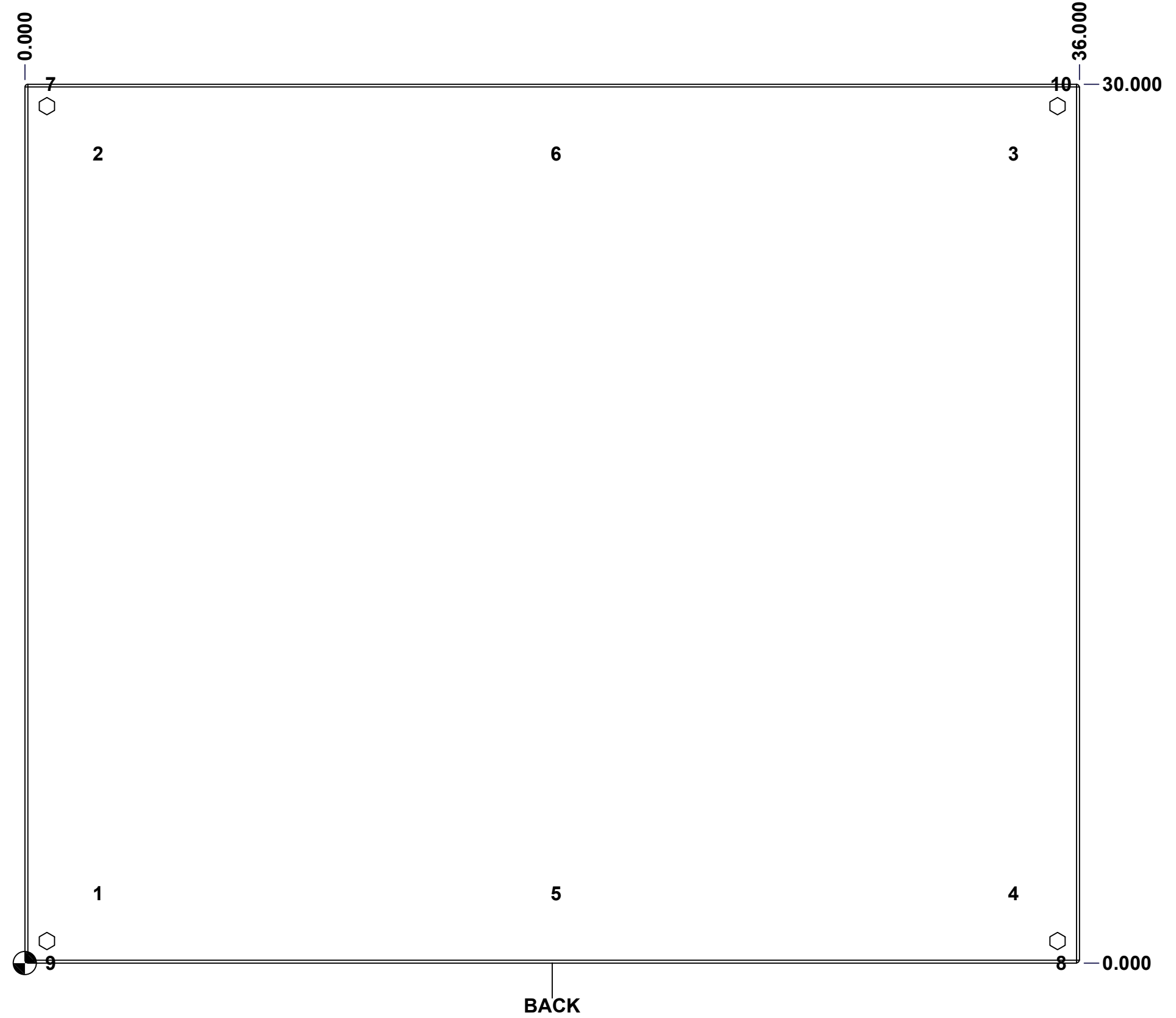
This drawing is confidential and must not be reproduced or used without the consent of EXM

Ce dessin est confidentiel et ne doit pas être reproduit ou utilisé sans le consentement de EXM

**STANDARD FEATURES ARE NOT LISTED IN THIS HOLE TABLE**

**HOLE TABLE - BACK VIEW (CUSTOM FEATURE ONLY)**

| CUT-OUT | XDIM   | YDIM   | DESCRIPTION                |
|---------|--------|--------|----------------------------|
| 1       | 2.375  | 2.375  | IP STUD M8 x 35mm (Inside) |
| 2       | 2.375  | 27.625 | IP STUD M8 x 35mm (Inside) |
| 3       | 33.625 | 27.625 | IP STUD M8 x 35mm (Inside) |
| 4       | 33.625 | 2.375  | IP STUD M8 x 35mm (Inside) |
| 5       | 18.000 | 2.375  | IP STUD M8 x 35mm (Inside) |
| 6       | 18.000 | 27.625 | IP STUD M8 x 35mm (Inside) |
| -----   |        |        |                            |
| 7       | 0.750  | 30.000 | FOOT 885 ESMF3_CLOSE       |
| 8       | 35.250 | 0.000  | FOOT 885 ESMF3_OPEN        |
| 9       | 0.750  | 0.000  | FOOT 885 ESMF3_OPEN        |
| 10      | 35.250 | 30.000 | FOOT 885 ESMF3_CLOSE       |

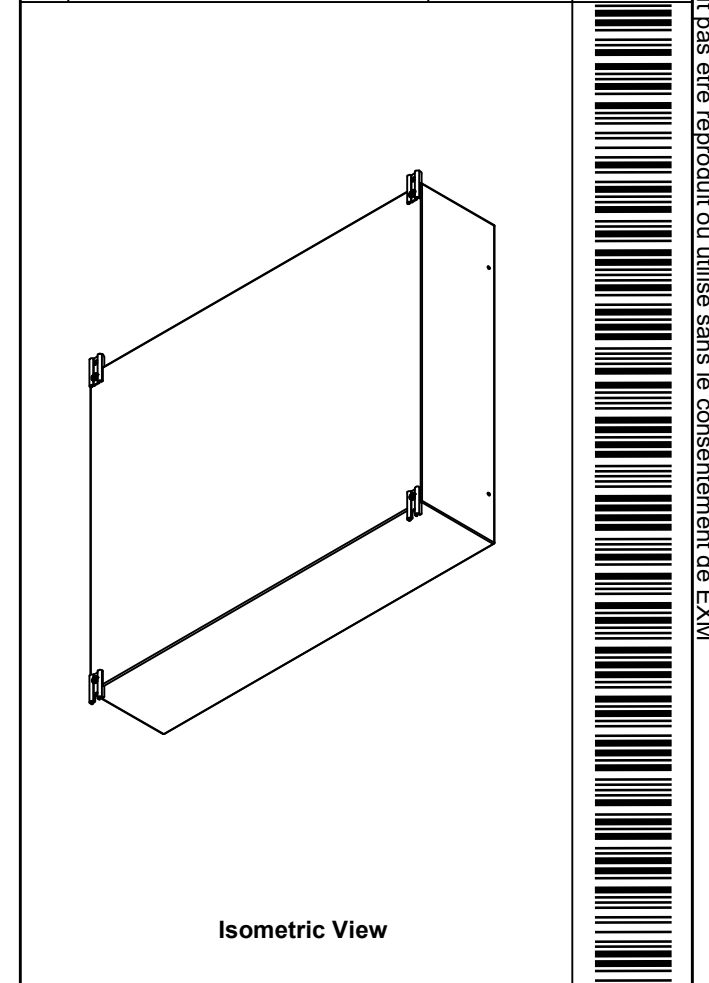


|  |                              |              |
|--|------------------------------|--------------|
|  | Description                  | Status       |
|  | 5412ESDG 30" x 36" x 8" Body | (NULL)       |
|  | Part Number<br>Numéro Pièce  | Rev.         |
|  | <b>5412ESDG303608THB</b>     | <b>0</b> / 6 |
|  |                              | 16           |

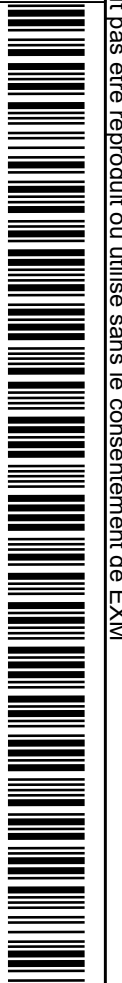
This drawing is confidential and must not be reproduced or used without the consent of EXM

Ce dessin est confidentiel et ne doit pas être reproduit ou utilisé sans le consentement de EXM


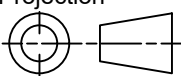
| No. | Revisions | Date | By/Par |
|-----|-----------|------|--------|
|     |           |      |        |
|     |           |      |        |
|     |           |      |        |
|     |           |      |        |
|     |           |      |        |



Isometric View

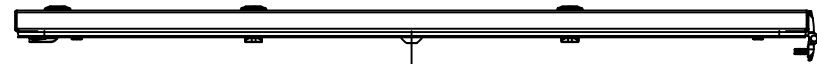


|            |                      |     |  |
|------------|----------------------|-----|--|
| 1          | 885 ESMF3            | 0   | 885 ESMF3 Mounting Foot Kit            |
| 4          | RIVET_NUT_M10_FH_CE  | 0   | Rivet Nut M10 (Low Profile Close End)  |
| 1          | STK-K-70554          | 3   | 5412 ESTH Accessory Kit                |
| 1          | 5412ESDG303608THI-RS | 0   | 5412ESDG 30" x 36" Right Insulation    |
| 1          | 5412ESDG303608THI-LS | 0   | 5412ESDG 30" x 36" Left Insulation     |
| 1          | 5412ESDG303608THI-BT | 0   | 5412ESDG 30" x 36"Bottom Insulation    |
| 1          | 5412ESDG303608THI-TP | 0   | 5412ESDG 30" x 36"Top Insulation       |
| 1          | 5412ESDG303608THI-B  | 0   | 5412ESDG 30" x 36" Back Insulation     |
| 4          | STK-Q-16055          | 1   | M6 x 18mm Stud (No Paint Cap Required) |
| 1          | STK-P-02400S         | 0   | Powder Paint (Asa-61 Grey / Smooth)    |
| 6          | STK-Q-16005          | 0   | Stud M8 x 35mm Steel                   |
| 1          | 5412ESDG303608THB-P  | 0   | 5412ESDG 30" x 36" x 8" Body Part      |
| Qty        | Part Number          | Rev | Description                            |
| Parts List |                      |     |  |

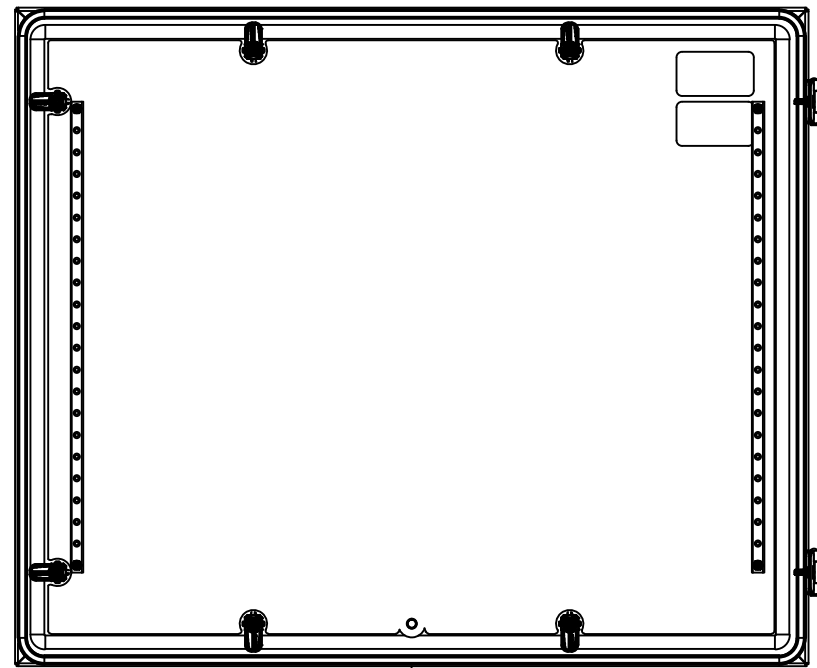
|  |   |  |
|--|---|--|
|  Tél: (450) 979-4373<br>Fax: (450) 979-4626<br><a href="http://www.exmweb.com">www.exmweb.com</a> |   | Flatness<br>Aplatissement<br>Max 3.0mm |
| Projection<br>  |   | Date<br>01-Jan-25                      |
| Customer<br>Client   | BoxCad: BoxCad                            | Date                                   |
| Drawn By<br>Dessiné Par  | BoxCad: BoxCad                            | Date                                   |
| Material<br>Matière  | 14 Ga Cold Rolled A1008 CS Type B (1.7mm) |  |
| Color<br>Couleur   | Asa-61 Grey                               | Finish<br>Fini<br>Smooth               |
| Description  | 5412ESDG 30" x 36" x 8" Body              |  |
| Part Number<br>Numéro Pièce  | Rev.                                      | 7                                      |
| <b>5412ESDG303608THB</b>   | <b>0</b>                                  | 16                                     |

This drawing is confidential and must not be reproduced or used without the consent of EXM

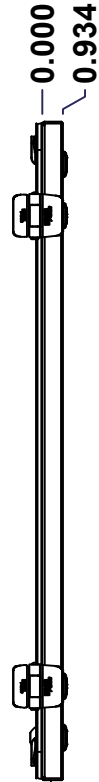
Ce dessin est confidentiel et ne doit pas être reproduit ou utilisé sans le consentement de EXM



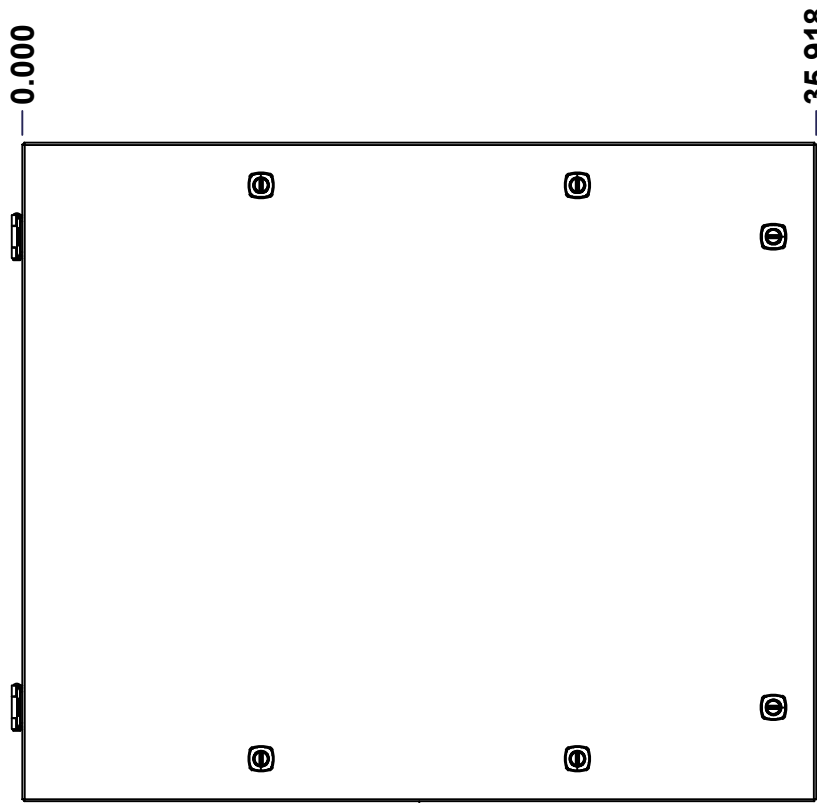
TOP



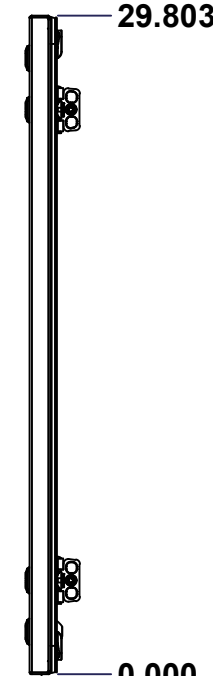
BACK



LEFT



FRONT

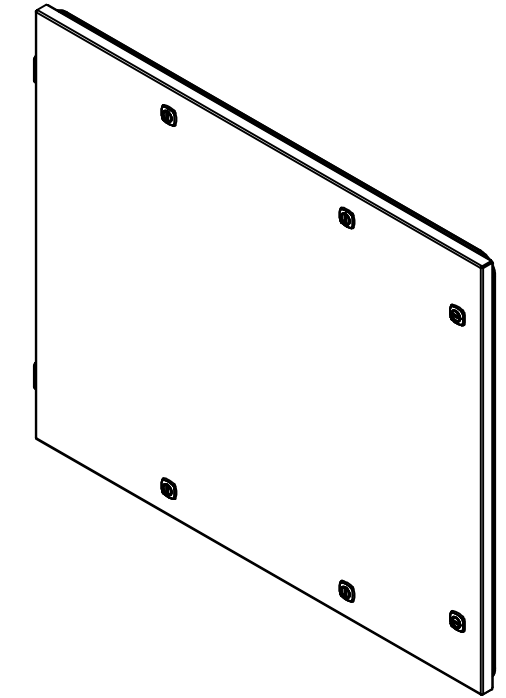


RIGHT



BOTTOM

| No. | Revisions | Date | By/Par |
|-----|-----------|------|--------|
|     |           |      |        |
|     |           |      |        |
|     |           |      |        |
|     |           |      |        |



Isometric View



Tél: (450) 979-4373  
 Fax: (450) 979-4626  
[www.exmweb.com](http://www.exmweb.com)

Flatness  
Aplatissement  
Max 3.0mm  
Projection

|   |                 |
|---|-----------------|
| Customer Client   | Date            |
| Drawn By / Dessiné Par: BoxCad: BoxCad                        | Date: 01-Jan-25 |
| Material / Matière: 14 Ga Cold Rolled A1008 CS Type B (1.7mm) |                 |

|                              |                       |
|------------------------------|-----------------------|
| Color / Couleur: Asa-61 Grey | Finish / Fini: Smooth |
|------------------------------|-----------------------|

|                                       |             |
|---------------------------------------|-------------|
| Description: 5412ESDG 30" x 36" Cover | Detail Rev. |
|---------------------------------------|-------------|

|   |        |   |
|---|--------|---|
| Part Number / Numéro Pièce: 5412ESDG303608THC | Rev. 0 | 8 |
|---|--------|---|

SEE BILL OF MATERIAL ON LAST PAGE

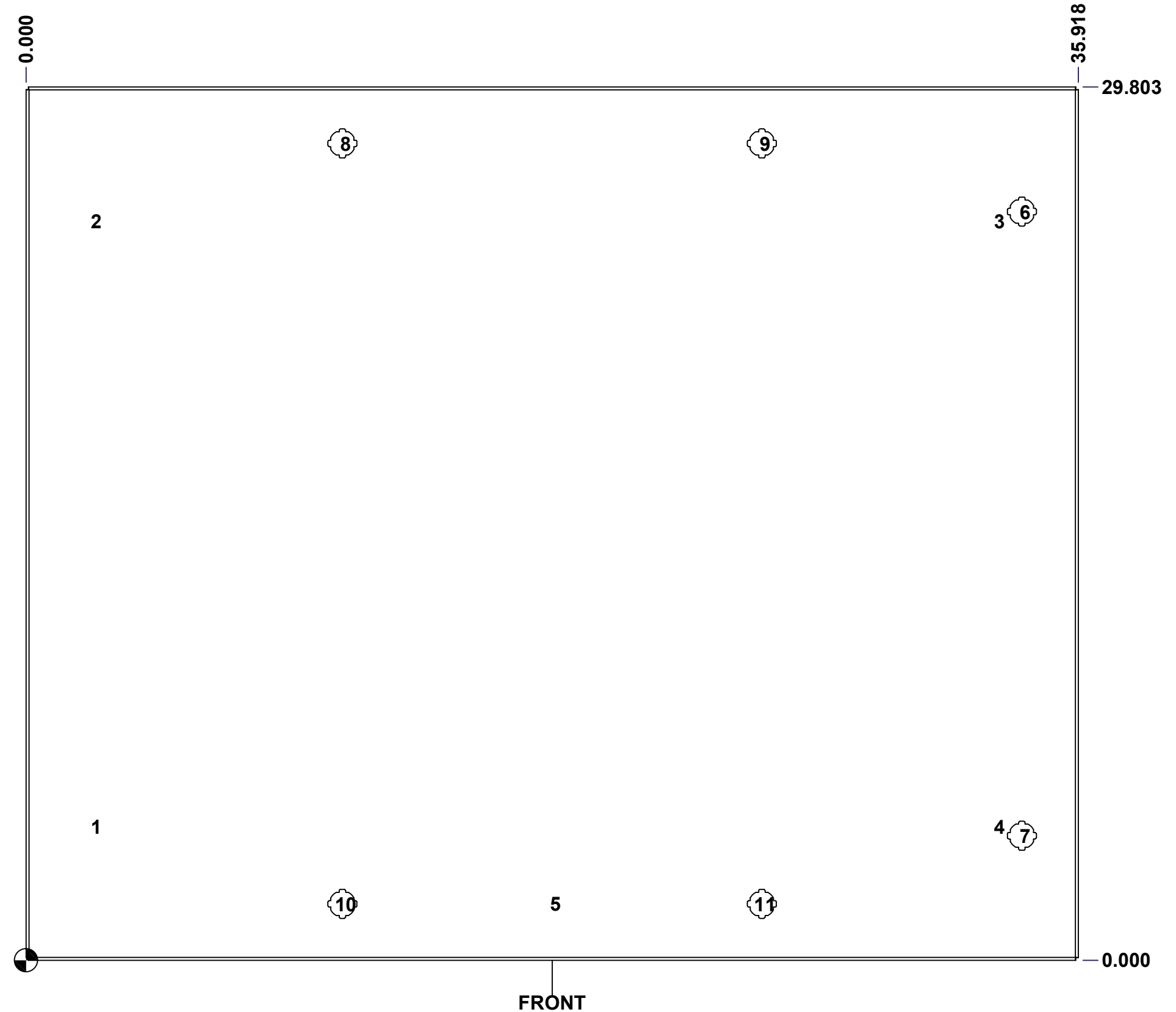
This drawing is confidential and must not be reproduced or used without the consent of EXM

Ce dessin est confidentiel et ne doit pas être reproduit ou utilisé sans le consentement de EXM

**STANDARD FEATURES ARE NOT LISTED IN THIS HOLE TABLE**

**HOLE TABLE - FRONT VIEW (CUSTOM FEATURE ONLY)**

| CUT-OUT | XDIM   | YDIM   | DESCRIPTION               |
|---------|--------|--------|---------------------------|
| 1       | 2.286  | 4.567  | STUD M6 x 18mm (Inside)   |
| 2       | 2.286  | 25.236 | STUD M6 x 18mm (Inside)   |
| 3       | 33.117 | 25.236 | STUD M6 x 18mm (Inside)   |
| 4       | 33.117 | 4.567  | STUD M6 x 18mm (Inside)   |
| 5       | 17.959 | 1.935  | STUD M6 x 18mm (Inside)   |
| -----   |        |        |                           |
| 6       | 33.994 | 25.553 | LOCK 880 SCQ4-SL @ 0.0°   |
| 7       | 33.994 | 4.250  | LOCK 880 SCQ4-SL @ 0.0°   |
| 8       | 10.800 | 27.879 | LOCK 880 SCQ4-SL @ 90.0°  |
| 9       | 25.118 | 27.879 | LOCK 880 SCQ4-SL @ 90.0°  |
| 10      | 10.800 | 1.924  | LOCK 880 SCQ4-SL @ 270.0° |
| 11      | 25.118 | 1.924  | LOCK 880 SCQ4-SL @ 270.0° |

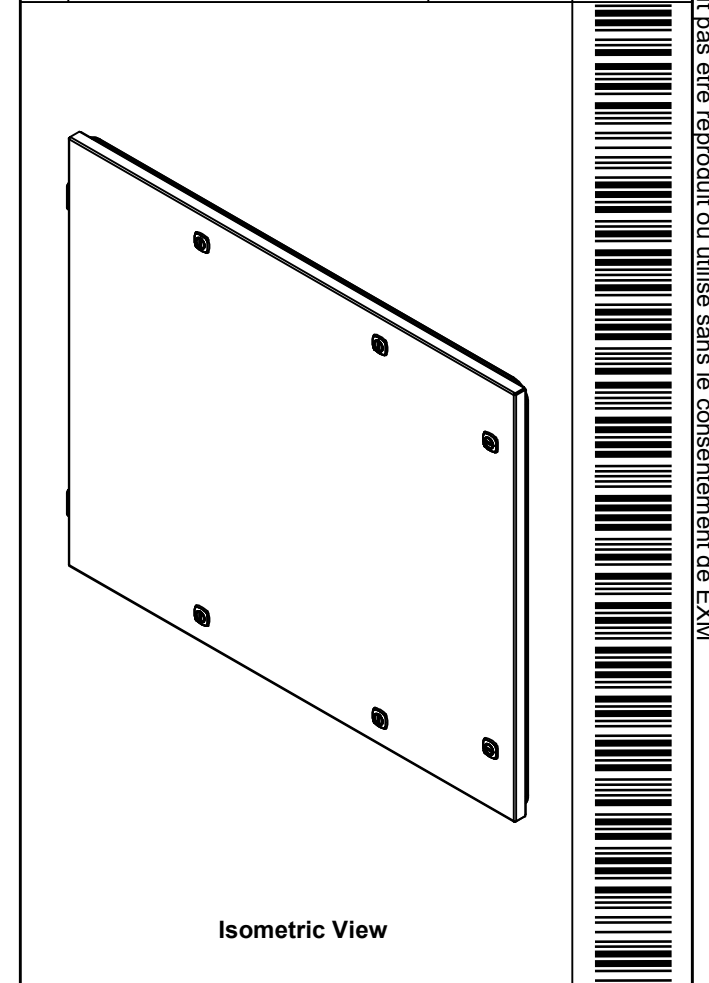


|  |                             |              |
|--|-----------------------------|--------------|
|  | Description                 | Status       |
|  | 5412ESDG 30" x 36" Cover    | (NULL)       |
|  | Part Number<br>Numéro Pièce | Rev.         |
|  | <b>5412ESDG303608THC</b>    | <b>0</b> / 9 |
|  |                             | 16           |

This drawing is confidential and must not be reproduced or used without the consent of EXM


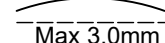
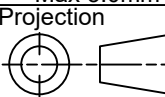
Ce dessin est confidentiel et ne doit pas être reproduit ou utilisé sans le consentement de EXM

| No. | Revisions | Date | By/Par |
|-----|-----------|------|--------|
|     |           |      |        |
|     |           |      |        |
|     |           |      |        |
|     |           |      |        |
|     |           |      |        |



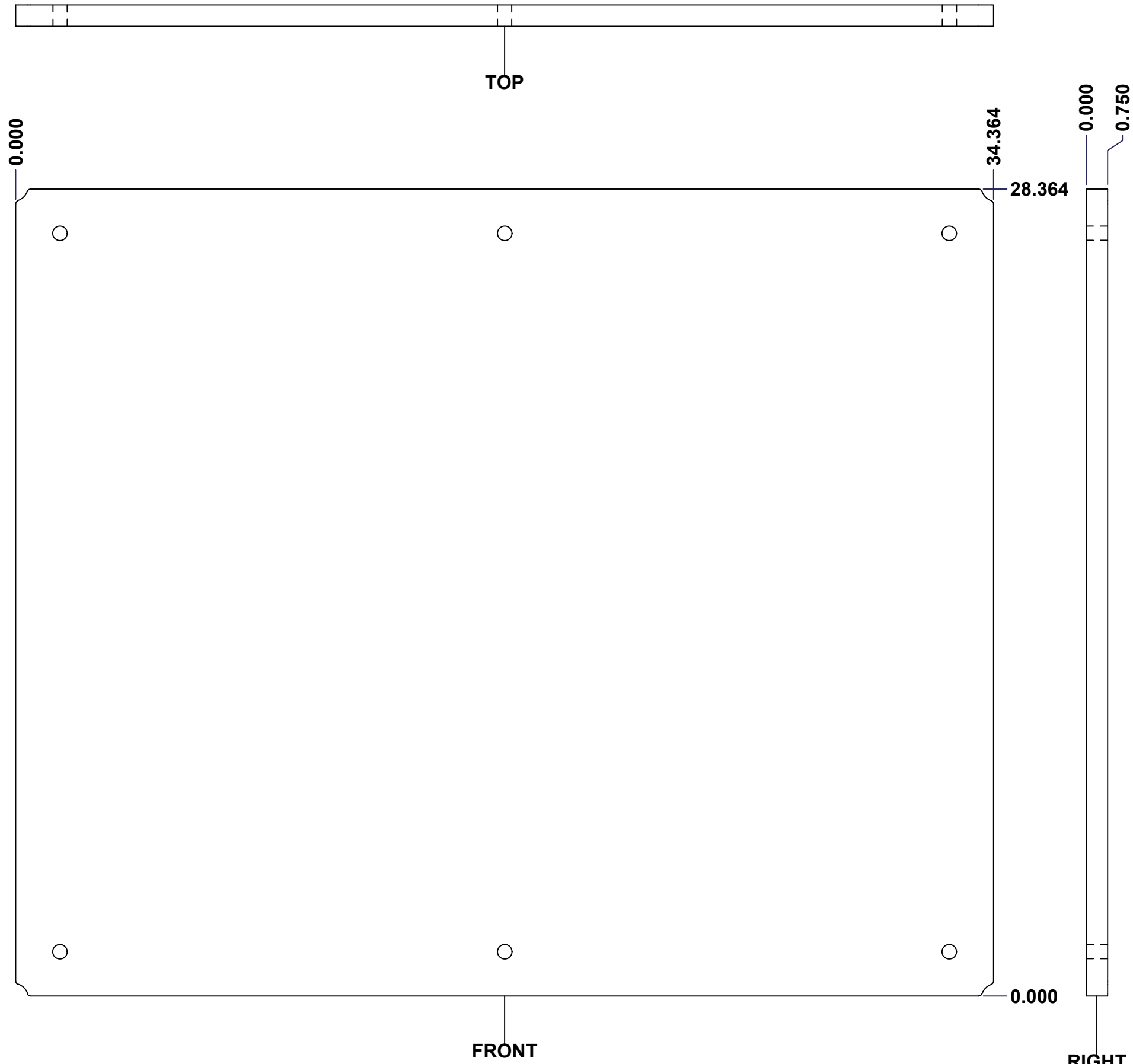
|   |                     |    |  |
|---|---------------------|----|--|
| 6 | STK-K-12500         | 19 | 5412 ES 1/4 Turn Lock                  |
| 2 | STK-S-00100         | 0  | 3.5" x 2" Silver Milar Flexcon Sticker |
| 4 | STK-Q-07250         | 2  | M6 x 16mm Collar Nut                   |
| 2 | STK-Q-46020-24      | 5  | 5412 ES Vertical Door Stiffener 24"    |
| 1 | 5412ESDG303608THI-C | 0  | 5412ESDG 30" x 36" Cover Insulation    |
| 1 | STK-P-02400S        | 0  | Powder Paint (Asa-61 Grey / Smooth)    |
| 1 | STK-Q-46515         | 3  | 5412 ES Door Support with Brass Insert |
| 5 | STK-Q-16055         | 1  | M6 x 18mm Stud (No Paint Cap Required) |
| 1 | 5412ESDG303608THG2  | 0  | 5412ESDG 30" x 36" Cover Gasket        |
| 1 | 5412ESDG303608THG   | 0  | 5412ESDG 30" x 36" Cover Gasket        |
| 1 | 5412ESDG303608THC-P | 0  | 5412ESDG 30" x 36" Cover Part          |
| 2 | STK-A-02360         | 0  | External Hinge for Double Gasket       |
| 2 | STK-Q-07220         | 1  | M6 Nylon Insert Lock Nut               |
| 2 | STK-Q-10252         | 0  | M6 Stainless Steel Sealing Washer      |

| QTY        | Part Number | Rev | Description |
|------------|-------------|-----|-------------|
| Parts List |             |     |             |

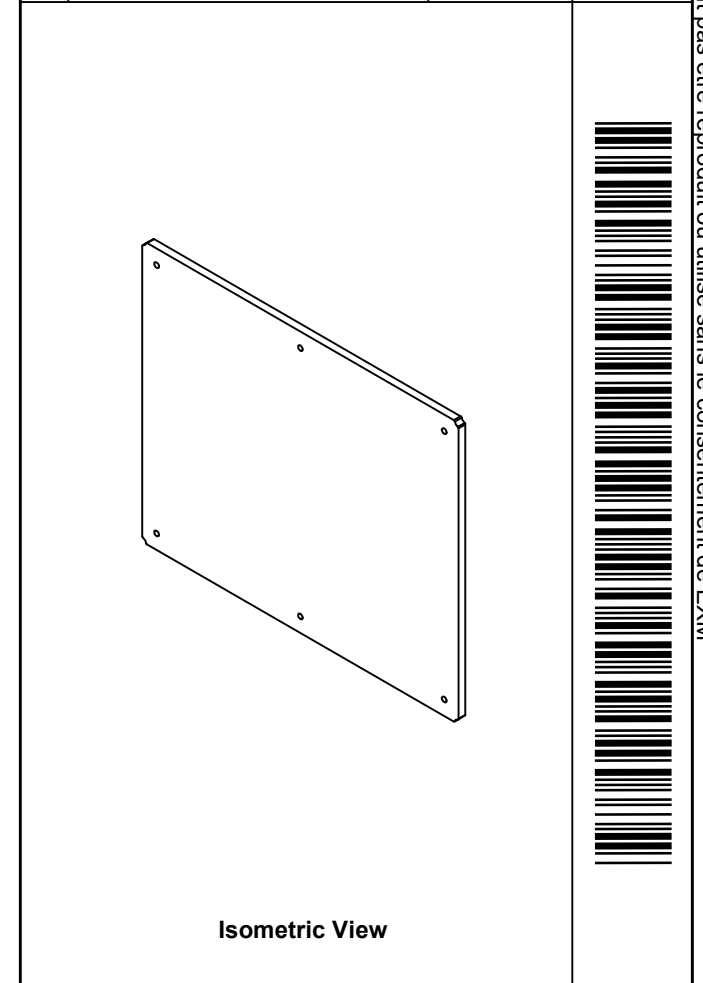
|  |   |   |
|--|---|---|
|  Tél: (450) 979-4373<br>Fax: (450) 979-4626<br><a href="http://www.exmweb.com">www.exmweb.com</a> |   | Flatness<br>Aplatissement<br><br>Max 3.0mm |
| Projection<br>  |   | Date<br>01-Jan-25   |
| Customer<br>Client   | BoxCad: BoxCad                            | Date  |
| Drawn By<br>Dessiné Par  | BoxCad: BoxCad                            | Date  |
| Material<br>Matière  | 14 Ga Cold Rolled A1008 CS Type B (1.7mm) |   |
| Color<br>Couleur   | Asa-61 Grey                               | Finish<br>Fini<br>Smooth  |
| Description<br>5412ESDG 30" x 36" Cover  |   | Detail Rev.   |
| Part Number<br>Numéro Pièce  | Rev.                                      | 10  |
| <b>5412ESDG303608THC</b>   | <b>0</b>                                  | 16  |


This drawing is confidential and must not be reproduced or used without the consent of EXM

Ce dessin est confidentiel et ne doit pas être reproduit ou utilisé sans le consentement de EXM



| No. | Revisions | Date | By/Par |
|-----|-----------|------|--------|
|     |           |      |        |
|     |           |      |        |
|     |           |      |        |
|     |           |      |        |

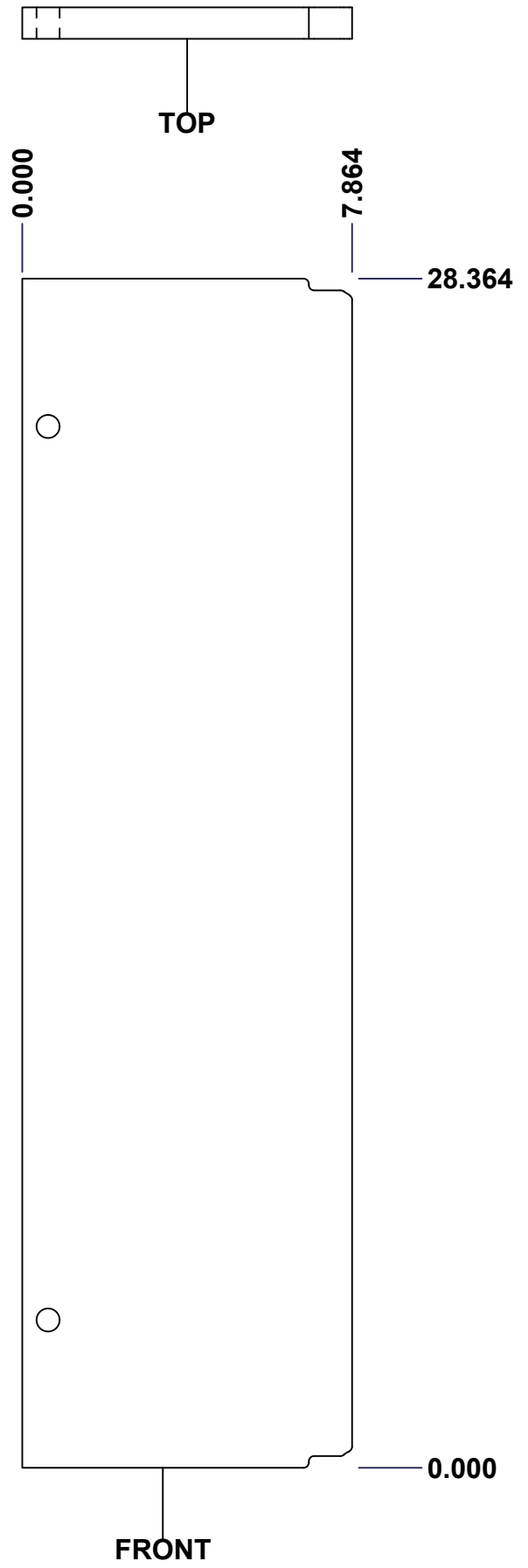


|  |          |                           |             |
|--|----------|---------------------------|-------------|
|  Tél: (450) 979-4373<br>Fax: (450) 979-4626<br><a href="http://www.exmweb.com">www.exmweb.com</a> |          | Flatness<br>Aplatissement |             |
|  |          | Max 3.0mm                 |             |
| Customer<br>Client   |          | Date                      |             |
| Drawn By<br>Dessiné Par  |          | Date 23-Jan-07            |             |
| Material<br>Matière  |          | Polyisocyanurate          |             |
| Color<br>Couleur   | Aluminum | Finish<br>Fini            | N/A         |
| Description  |          |                           | Detail Rev. |
| 5412ESDG 30" x 36" Back Insulation   |          |                           |             |
| Part Number<br>Numéro Pièce  |          | Rev.                      | 11          |
| 5412ESDG303608THI-B  |          | 0                         | 16          |

**SEE BILL OF MATERIAL ON LAST PAGE**

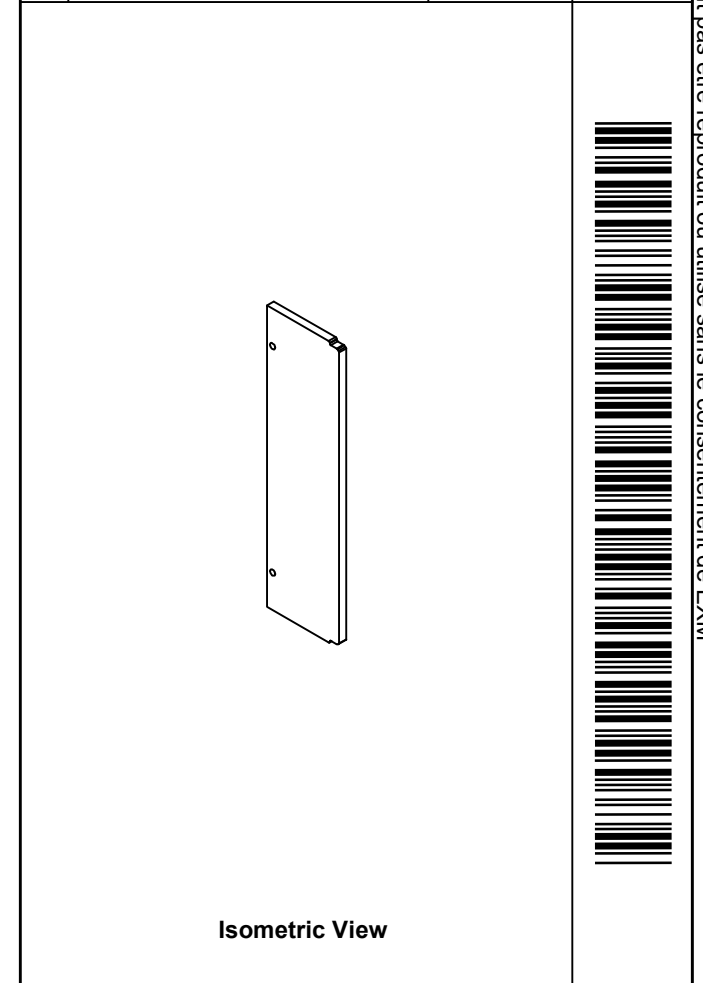
This drawing is confidential and must not be reproduced or used without the consent of EXM


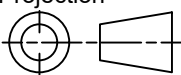
Ce dessin est confidentiel et ne doit pas être reproduit ou utilisé sans le consentement de EXM



SEE BILL OF MATERIAL ON LAST PAGE

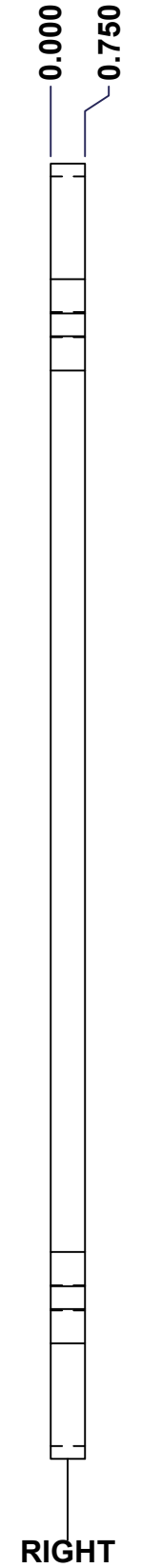
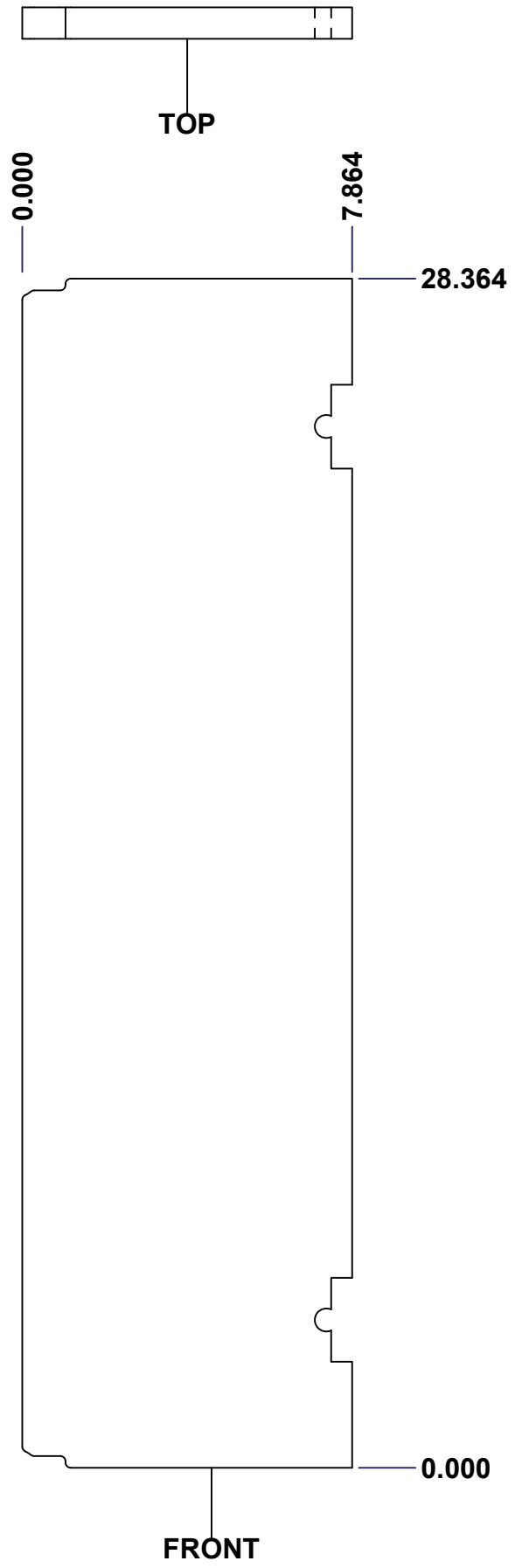
| No. | Revisions | Date | By/Par |
|-----|-----------|------|--------|
|     |           |      |        |
|     |           |      |        |
|     |           |      |        |
|     |           |      |        |
|     |           |      |        |



|  |                    |  |
|--|--------------------|--|
|  Tél: (450) 979-4373<br>Fax: (450) 979-4626<br><a href="http://www.exmweb.com">www.exmweb.com</a> |                    | Flatness<br>Aplatissement<br>Max 3.0mm |
| Projection<br>  |                    | Date<br>23-Jan-07                      |
| Customer Client  | Date               |  |
| Drawn By / Dessiné Par: BoxCad: Patrick Deschenes  | Date: 23-Jan-07    |  |
| Material / Matière: Polyisocyanurate   | Date               |  |
| Color / Couleur: Aluminum  | Finish / Fini: N/A | Date                                   |
| Description: 5412ESDG 30" x 36" Left Insulation  |                    | Detail Rev.                            |
| Part Number / Numéro Pièce: 5412ESDG303608THI-LS   | Rev. 0             | 12 / 16                                |

This drawing is confidential and must not be reproduced or used without the consent of EXM

Ce dessin est confidentiel et ne doit pas être reproduit ou utilisé sans le consentement de EXM



SEE BILL OF MATERIAL ON LAST PAGE

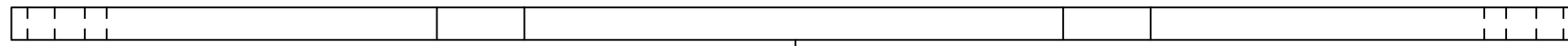
| No. | Revisions | Date | By/Par |
|-----|-----------|------|--------|
|     |           |      |        |
|     |           |      |        |
|     |           |      |        |
|     |           |      |        |
|     |           |      |        |

**Isometric View**

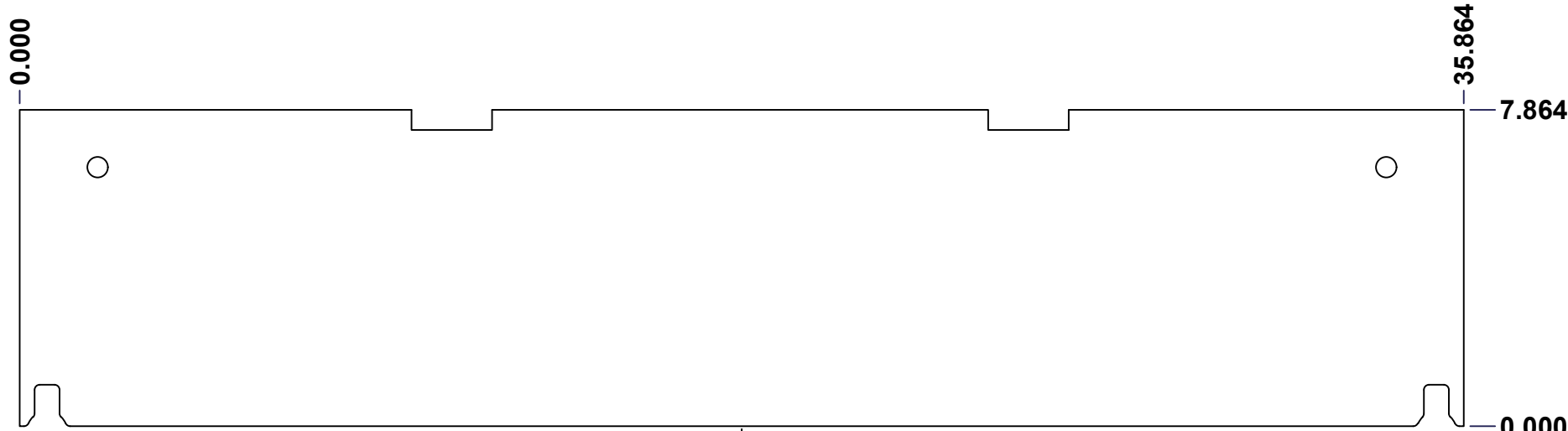
|   |                           |  |
|---|---------------------------|--|
| <p>Tél: (450) 979-4373<br/>                 Fax: (450) 979-4626<br/> <a href="http://www.exmweb.com">www.exmweb.com</a></p> |                           | Flatness<br>Aplatissement<br>Max 3.0mm |
| Projection  |                           |  |
| Customer Client   | Date                      |  |
| Drawn By<br>Dessiné Par   | BoxCad: Patrick Deschenes | Date 23-Jan-07                         |
| Material<br>Matière   | Polyisocyanurate          |  |
| Color<br>Couleur  | Aluminum                  | Finish<br>Fini N/A                     |
| Description   |                           | Detail Rev.                            |
| 5412ESDG 30" x 36" Right Insulation   |                           |  |
| Part Number<br>Numéro Pièce   | Rev. 0                    | 13 / 16                                |
| <b>5412ESDG303608THI-RS</b>   |                           |  |

This drawing is confidential and must not be reproduced or used without the consent of EXM

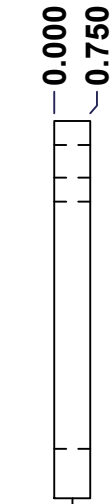
Ce dessin est confidentiel et ne doit pas être reproduit ou utilisé sans le consentement de EXM



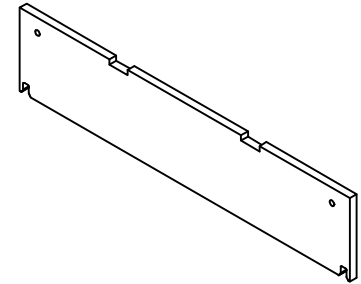
TOP



FRONT




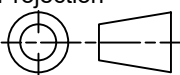
RIGHT



Isometric View



| No. | Revisions | Date | By/Par |
|-----|-----------|------|--------|
|     |           |      |        |
|     |           |      |        |
|     |           |      |        |
|     |           |      |        |

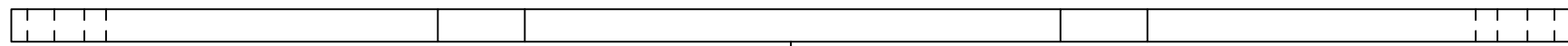
|  |                  |   |
|--|------------------|---|
|  Tél: (450) 979-4373<br>Fax: (450) 979-4626<br><a href="http://www.exmweb.com">www.exmweb.com</a> |                  | Flatness<br>Aplatissement<br>Max 3.0mm<br>Projection<br> |
| Customer Client  | Date             |   |
| Drawn By<br>Dessiné Par  | BoxCad: BoxCad   | Date 4/3/2024   |
| Material<br>Matière  | Polyisocyanurate |   |
| Color<br>Couleur   | Aluminum         | Finish<br>Fini Smooth   |
| Description  | Detail Rev.      |   |
| 5412ESDG 30" x 36"Top Insulation   |                  |   |
| Part Number<br>Numéro Pièce  | Rev. 0           | 14 / 16   |

SEE BILL OF MATERIAL ON LAST PAGE

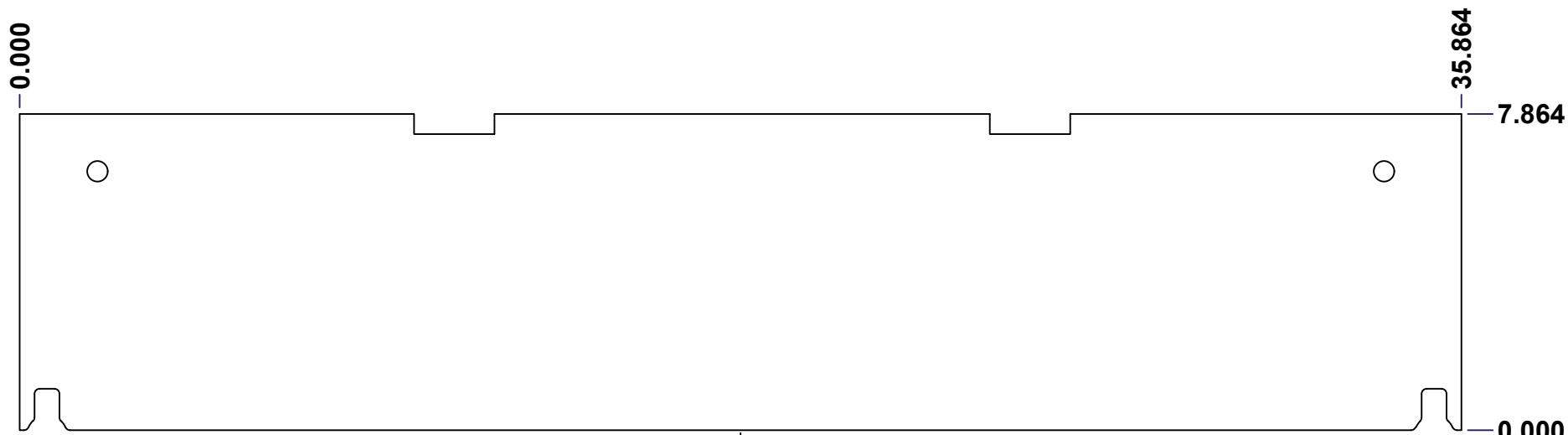
**5412ESDG303608THI-TP**

This drawing is confidential and must not be reproduced or used without the consent of EXM

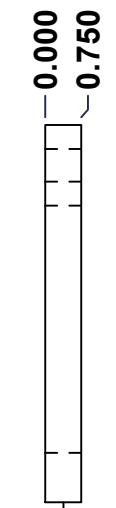
Ce dessin est confidentiel et ne doit pas être reproduit ou utilisé sans le consentement de EXM



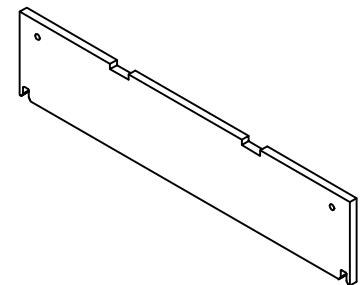
TOP



FRONT




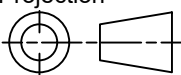
RIGHT



Isometric View



| No. | Revisions | Date | By/Par |
|-----|-----------|------|--------|
|     |           |      |        |
|     |           |      |        |
|     |           |      |        |
|     |           |      |        |

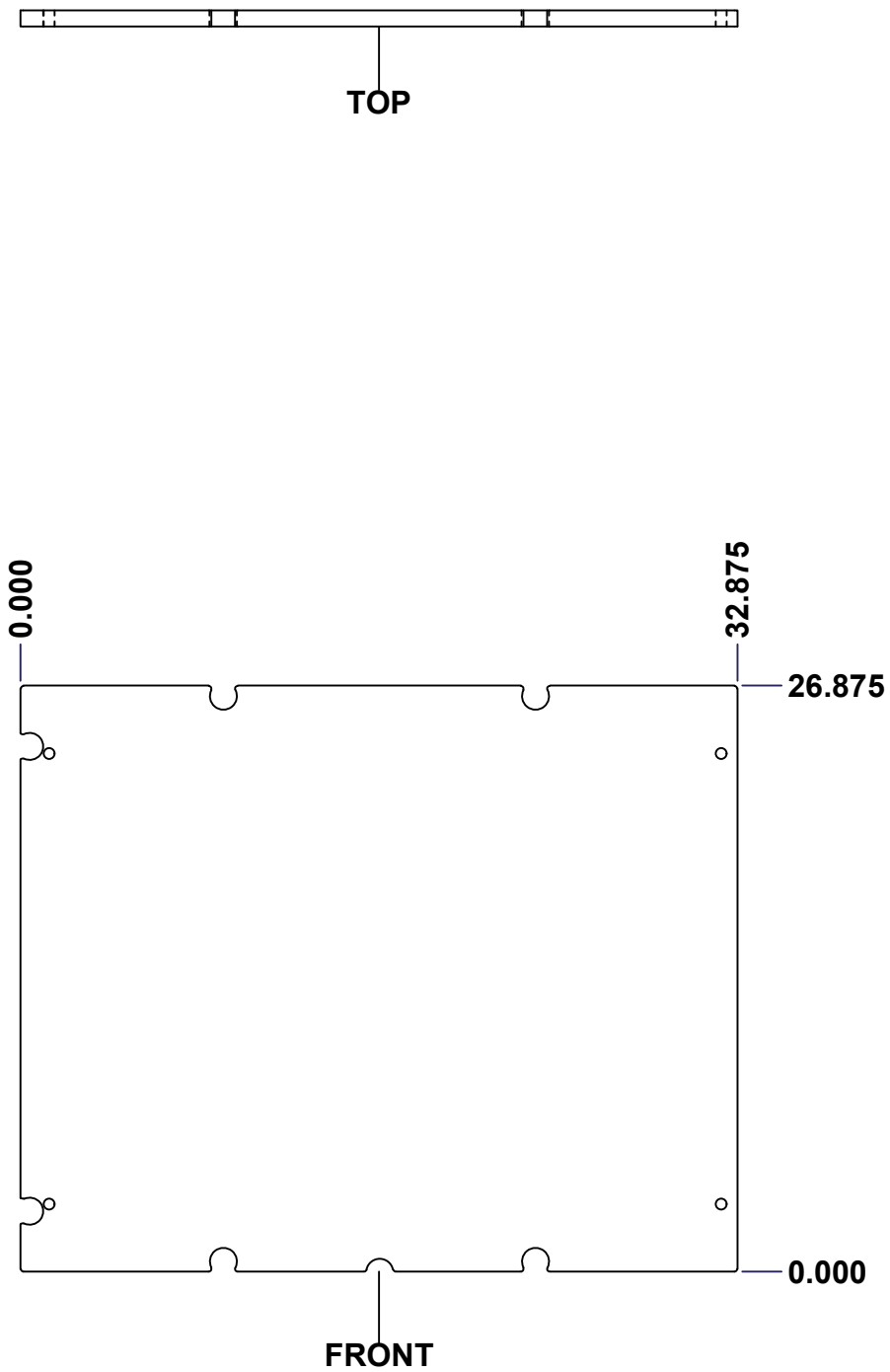
|  |                  |   |
|--|------------------|---|
|  Tél: (450) 979-4373<br>Fax: (450) 979-4626<br><a href="http://www.exmweb.com">www.exmweb.com</a> |                  | Flatness<br>Aplatissement<br>Max 3.0mm<br>Projection<br> |
| Customer Client  | Date             |   |
| Drawn By<br>Dessiné Par  | BoxCad: BoxCad   | Date 4/3/2024   |
| Material<br>Matière  | Polyisocyanurate |   |
| Color<br>Couleur   | Aluminum         | Finish<br>Fini Smooth   |
| Description  | Detail Rev.      |   |
| 5412ESDG 30" x 36"Bottom Insulation  |                  |   |
| Part Number<br>Numéro Pièce  | Rev. 0           | 15 / 16   |

SEE BILL OF MATERIAL ON LAST PAGE

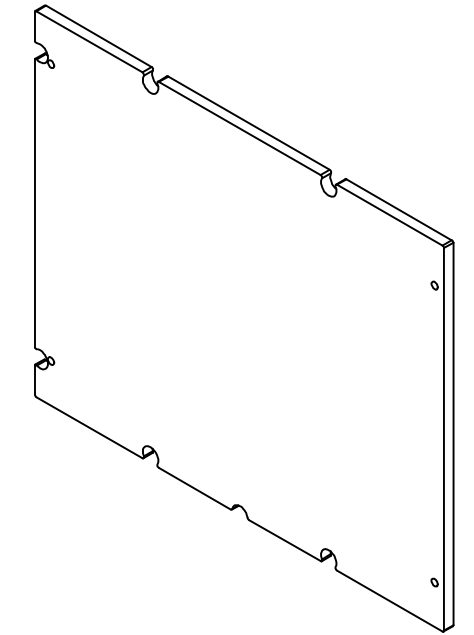
**5412ESDG303608THI-BT**

This drawing is confidential and must not be reproduced or used without the consent of EXM


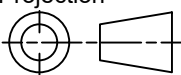
Ce dessin est confidentiel et ne doit pas être reproduit ou utilisé sans le consentement de EXM



| No. | Revisions | Date | By/Par |
|-----|-----------|------|--------|
|     |           |      |        |
|     |           |      |        |
|     |           |      |        |
|     |           |      |        |



Isometric View

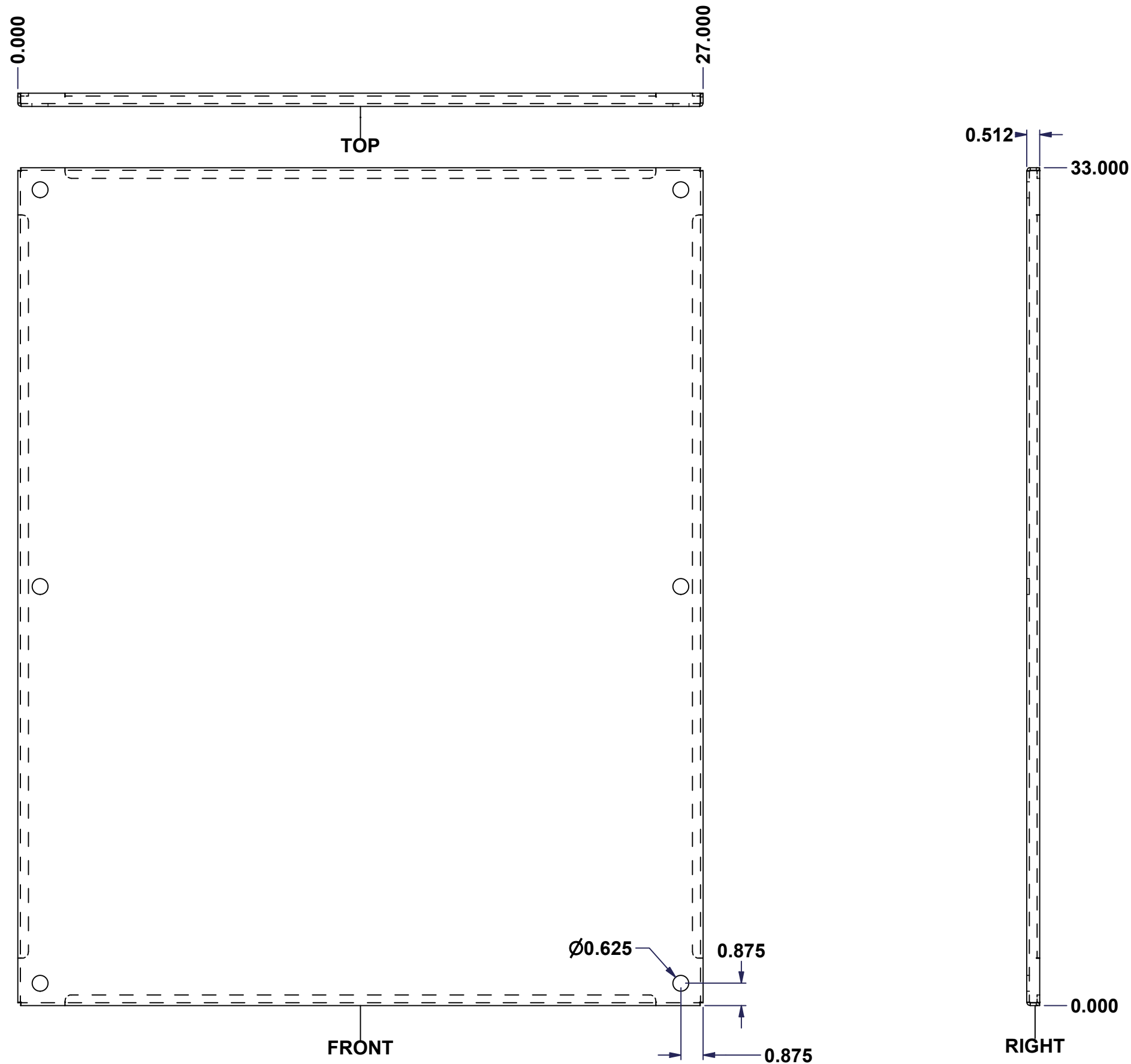
|  |                           |   |
|--|---------------------------|---|
|  Tél: (450) 979-4373<br>Fax: (450) 979-4626<br><a href="http://www.exmweb.com">www.exmweb.com</a> |                           | Flatness<br>Aplatissement<br>Max 3.0mm<br>Projection<br> |
| Customer Client  | Date                      |   |
| Drawn By<br>Dessiné Par  | BoxCad: Patrick Deschenes | Date 23-Jan-07  |
| Material<br>Matière  | Polyisocyanurate          |   |
| Color<br>Couleur   | Aluminum                  | Finish<br>Fini N/A  |
| Description<br>5412ESDG 30" x 36" Cover Insulation   |                           | Detail Rev.   |
| Part Number<br>Numéro Pièce  | Rev. 0                    | 16 / 16   |

SEE BILL OF MATERIAL ON LAST PAGE

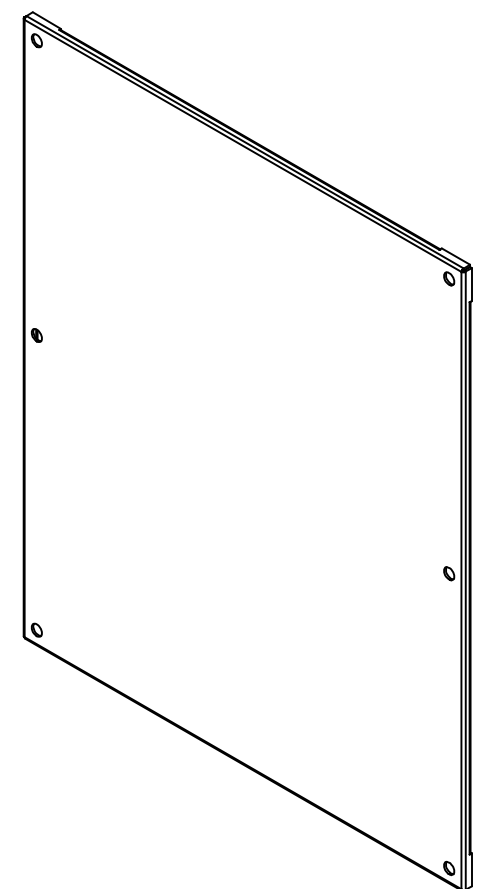
**5412ESDG303608THI-C**

This drawing is confidential and must not be reproduced or used without the consent of EXM

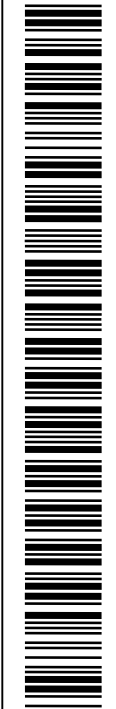
Ce dessin est confidentiel et ne doit pas être reproduit ou utilisé sans le consentement de EXM


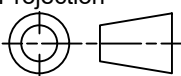


| No. | Revisions | Date | By/Par |
|-----|-----------|------|--------|
|     |           |      |        |
|     |           |      |        |
|     |           |      |        |
|     |           |      |        |



**Isometric View**



|  |                          |                              |
|--|--------------------------|------------------------------|
|  Tél: (450) 979-4373<br>Fax: (450) 979-4626<br><a href="http://www.exmweb.com">www.exmweb.com</a> |                          | Flatness<br>Aplatissement    |
|  |                          | Max 3.0mm                    |
| Projection<br>  |                          | Date                         |
| Customer<br>Client   | BoxCad: nickz            | Date 01/03/2017              |
| Material<br>Matière  | 12 Ga Galvanized (2.5mm) |                              |
| Color<br>Couleur   | See Part List            | Finish<br>Fini See Part List |
| Description  |                          | Detail Rev.                  |
| 885SP 36" x 30" Inner Panel Part   |                          |                              |
| Part Number<br>Numéro Pièce  | Rev.                     | 1                            |
| <b>885SP3630G</b>  | <b>0</b>                 | <b>1</b>                     |

| Qty | Part Number  | Rev | Description                      | Material                 | Color     | Finish     |
|-----|--------------|-----|----------------------------------|--------------------------|-----------|------------|
| 1   | 885SP3630G-P | 0   | 885SP 36" x 30" Inner Panel Part | 12 Ga Galvanized (2.5mm) | Unpainted | Galvanized |

Parts List