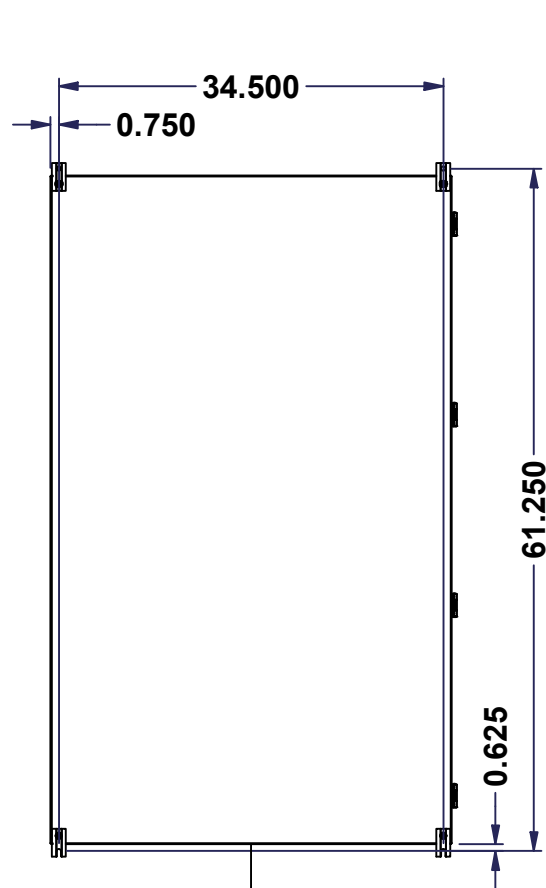


This drawing is confidential and must not be reproduced or used without the consent of EXM

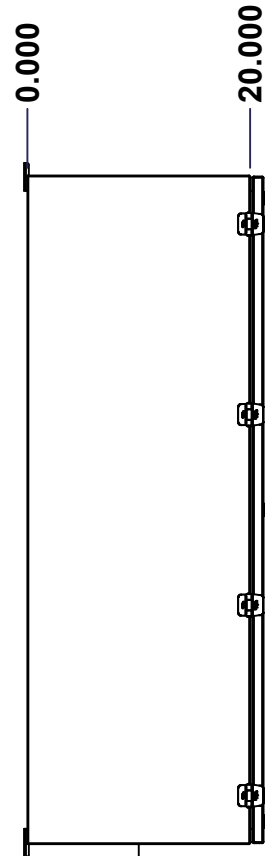
Ce dessin est confidentiel et ne doit pas être reproduit ou utilisé sans le consentement de EXM



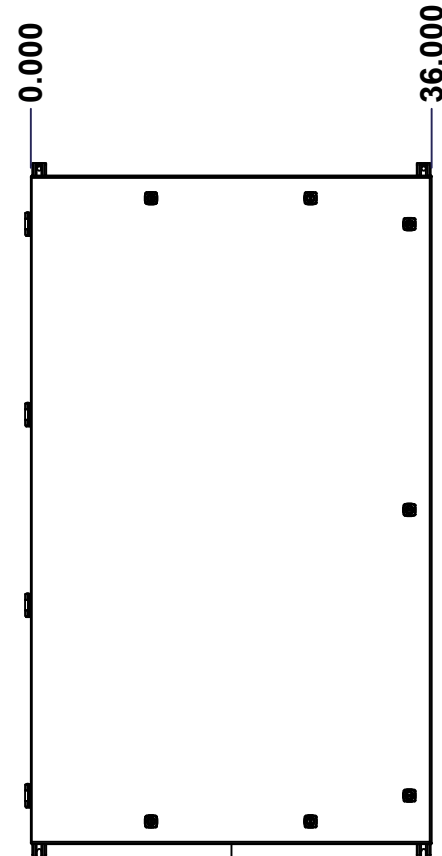
TOP



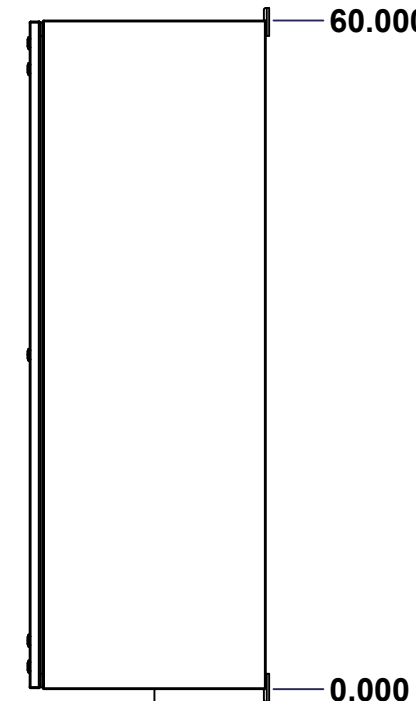
BACK



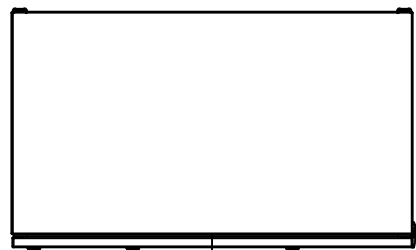
LEFT



FRONT

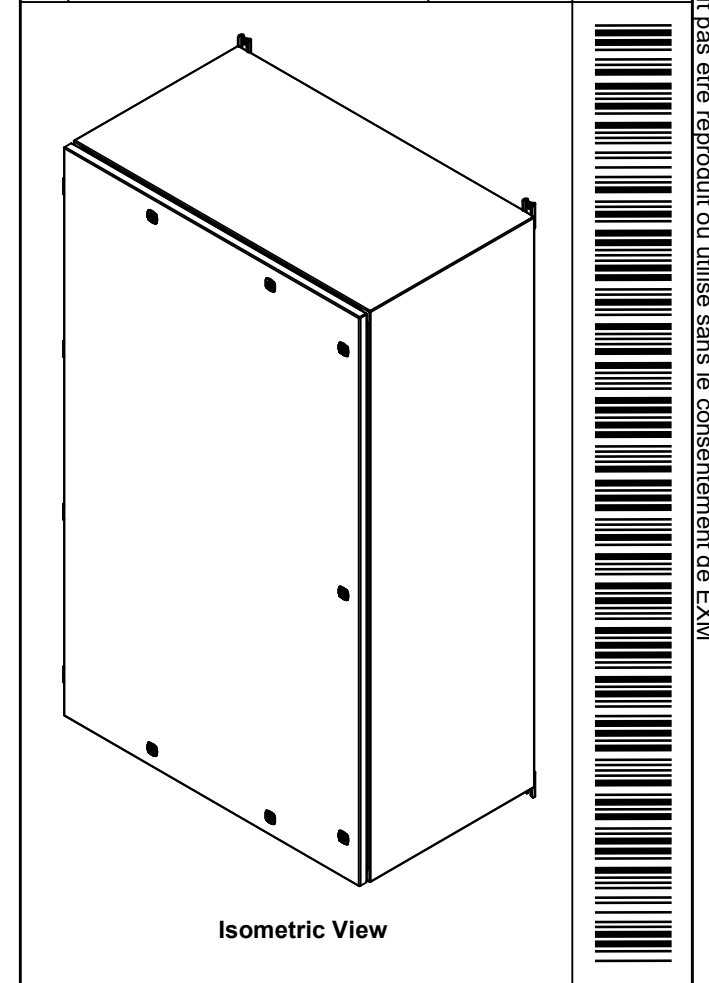


RIGHT




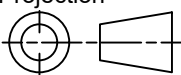
BOTTOM

| No. | Revisions | Date | By/Par |
|-----|-----------|------|--------|
| | | | |
| | | | |
| | | | |
| | | | |



Isometric View



| | | |
|--|---|---|
|  Tél: (450) 979-4373 Fax: (450) 979-4626 www.exmweb.com | | Flatness Aplatissement Max 3.0mm Projection  |
| Customer Client | Date | |
| Drawn By Dessiné Par | BoxCad: BoxCad | Date 03-Jan-25 |
| Material Matière | 14 Ga Cold Rolled A1008 CS Type B (1.7mm) | |
| Color Couleur | Asa-61 Grey | Finish Fini Smooth |
| Description 5412ESDG 60" x 36" x 20" Assembly | | Detail Rev. |
| Part Number Numéro Pièce | Rev. 0 | 1 / 16 |

SEE BILL OF MATERIAL ON LAST PAGE

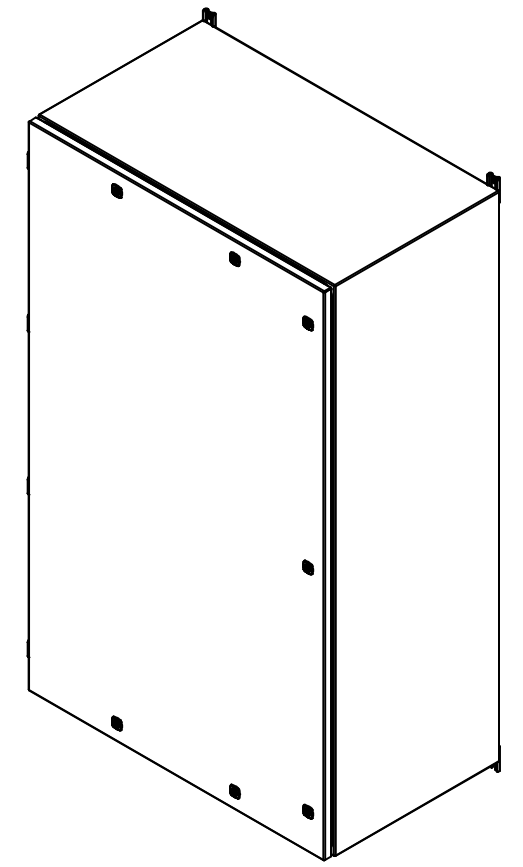
5412ESDG603620TH

This drawing is confidential and must not be reproduced or used without the consent of EXM

Ce dessin est confidentiel et ne doit pas être reproduit ou utilisé sans le consentement de EXM

| NOTE | |
|------|---|
| ITEM | DESCRIPTION |
| 1 | NEMA 4, 12 Enclosure (IP66) |
| 2 | C/W Standard ground studs on box and cover |
| 3 | C/W Standard door stiffener |
| 4 | C/W Standard inner panel (Included) |
| 5 | C/W Standard inner panel mounting studs |
| 6 | C/W 885 ESMF3_OPEN Sold separately (Installed) |
| 7 | C/W 885 ESMF3_CLOSE Sold separately (Installed) |
| 8 | C/W R5 Insulation (Installed aluminum visible) |

| No. | Revisions | Date | By/Par |
|-----|-----------|------|--------|
| | | | |
| | | | |
| | | | |
| | | | |
| | | | |
| | | | |
| | | | |




Isometric View



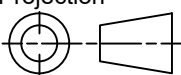
| PACKING | | |
|-----------------------|-----|--|
| ITEM | QTY | DESCRIPTION |
| Cardboard sleeve | 2 | Top and Bottom |
| Cardboard strip | 2 | Between back of enclosure and inner panel |
| Plastic bag | 1 | To protect cover surface and inside gasket |
| Cardboard corner | 4 | To reinforced for the plastic strap tightening |
| Plastic strap - Black | 2 | To Squeeze the 2 cardboard sleeve together |
| Packaging label | 3 | White label with PN |
| Plastic strap- Green | 2 | To secure the enclosure to the wood pallet |
| Wood Pallet | 1 | 2" deeper and 3" larger than enclosure size |

| Qty | Part Number | Rev | Description |
|------------|-------------------|-----|-----------------------------------|
| 8 | STK-Q-00600 | 2 | M12 to M8 Adaptor |
| 1 | 885SP6036G | 0 | 885SP 60" x 36" Inner Panel Part |
| 1 | STK-K-01800 | 5 | 5412 ES Accessory Kit |
| 4 | STK-Q-10252 | 0 | M6 Stainless Steel Sealing Washer |
| 1 | 5412ESDG603620THC | 0 | 5412ESDG 60" x 36" Cover |
| 1 | 5412ESDG603620THB | 0 | 5412ESDG 60" x 36" x 20" Body |
| 4 | STK-Q-07220 | 1 | M6 Nylon Insert Lock Nut |
| Parts List | | | |



Tél: (450) 979-4373
Fax: (450) 979-4626
www.exmweb.com

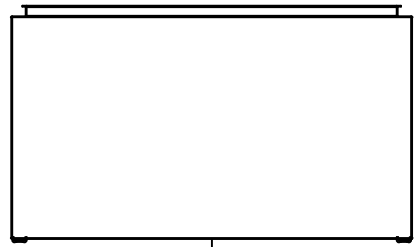
Flatness
Aplatissement
Max 3.0mm

Projection


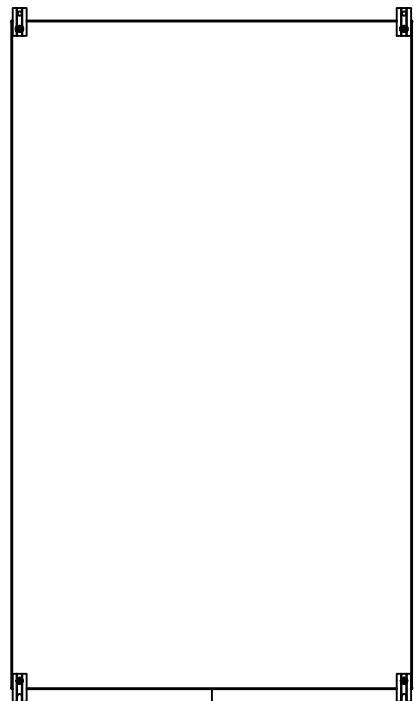
| | |
|---|-----------------------|
| Customer Client | Date |
| Drawn By Dessiné Par BoxCad: BoxCad | Date 03-Jan-25 |
| Material Matière 14 Ga Cold Rolled A1008 CS Type B (1.7mm) | |
| Color Couleur Asa-61 Grey | Finish Fini Smooth |
| Description 5412ESDG 60" x 36" x 20" Assembly | Detail Rev. |
| Part Number Numéro Pièce 5412ESDG603620TH | Rev. 0 |

This drawing is confidential and must not be reproduced or used without the consent of EXM

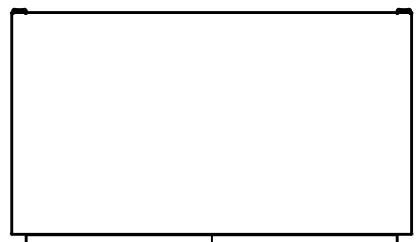
Ce dessin est confidentiel et ne doit pas être reproduit ou utilisé sans le consentement de EXM



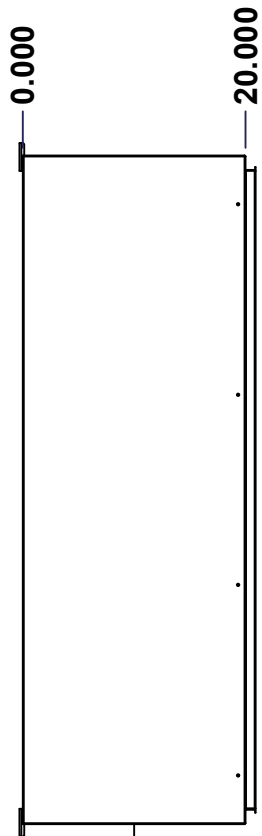
TOP



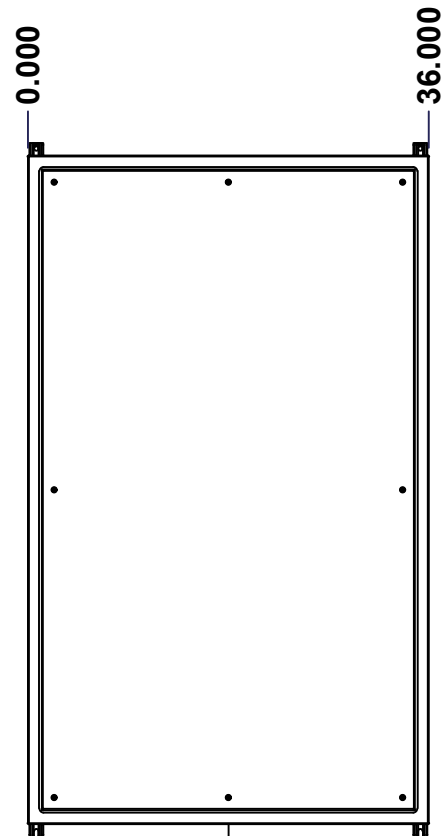
BACK



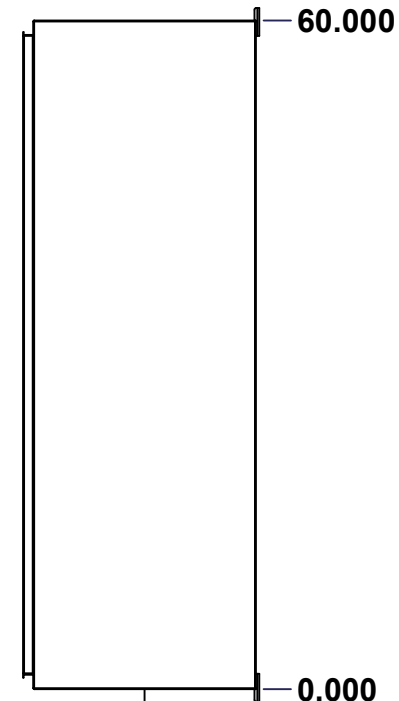
BOTTOM



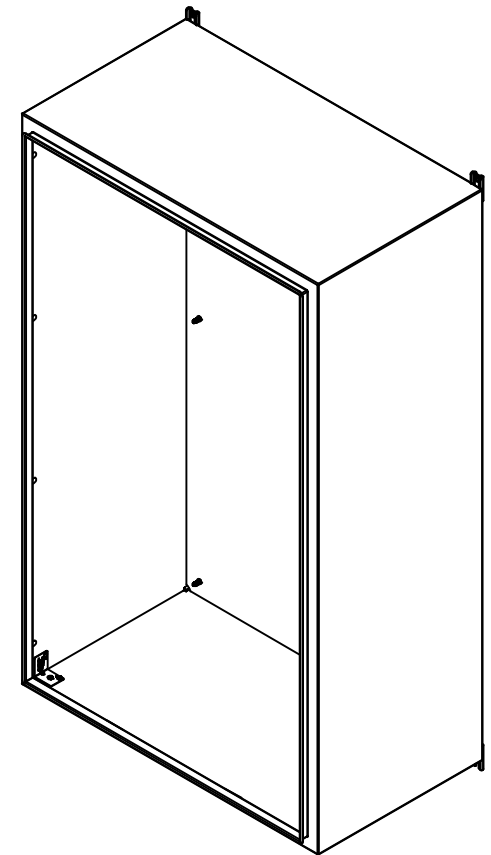
LEFT



FRONT




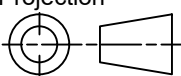
RIGHT



Isometric View



| No. | Revisions | Date | By/Par |
|-----|-----------|------|--------|
| | | | |
| | | | |
| | | | |
| | | | |
| | | | |

| | | |
|--|---|---|
|  Tél: (450) 979-4373 Fax: (450) 979-4626 www.exmweb.com | | Flatness Aplatissement Max 3.0mm Projection  |
| Customer Client | Date | |
| Drawn By Dessiné Par | BoxCad: BoxCad | Date 03-Jan-25 |
| Material Matière | 14 Ga Cold Rolled A1008 CS Type B (1.7mm) | |
| Color Couleur | Asa-61 Grey | Finish Fini Smooth |
| Description | Detail Rev. | |
| 5412ESDG 60" x 36" x 20" Body | | |
| Part Number Numéro Pièce | Rev. 0 | 3 / 16 |

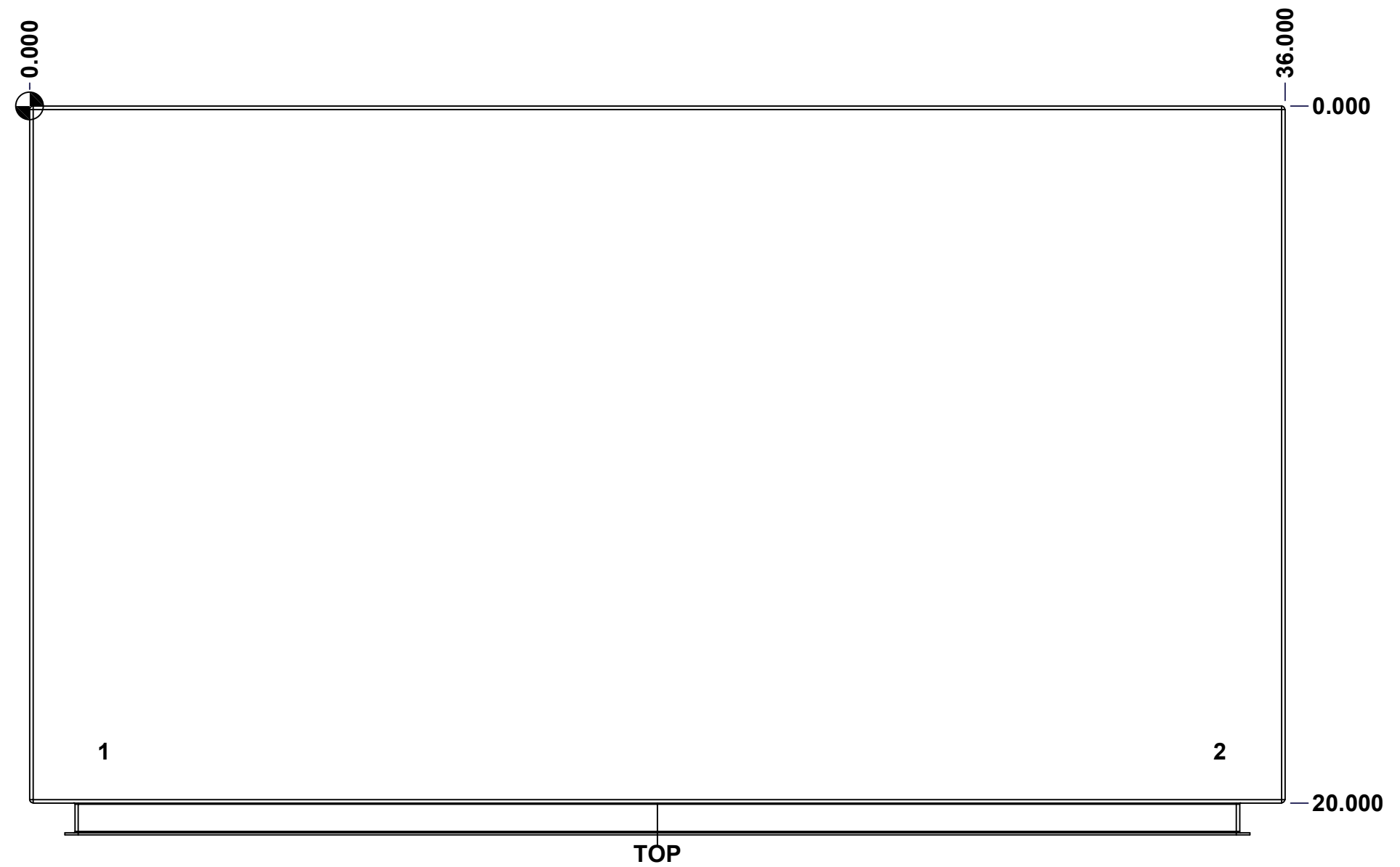
SEE BILL OF MATERIAL ON LAST PAGE

5412ESDG603620THB

This drawing is confidential and must not be reproduced or used without the consent of EXM

Ce dessin est confidentiel et ne doit pas être reproduit ou utilisé sans le consentement de EXM

| STANDARD FEATURES ARE NOT LISTED IN THIS HOLE TABLE | | | |
|--|--------|--------|--------------------------------|
| HOLE TABLE - TOP VIEW (CUSTOM FEATURE ONLY) | | | |
| CUT-OUT | XDIM | YDIM | DESCRIPTION |
| 1 | 2.000 | 18.500 | INSUL. STUD M6 x 18mm (Inside) |
| 2 | 34.000 | 18.500 | INSUL. STUD M6 x 18mm (Inside) |

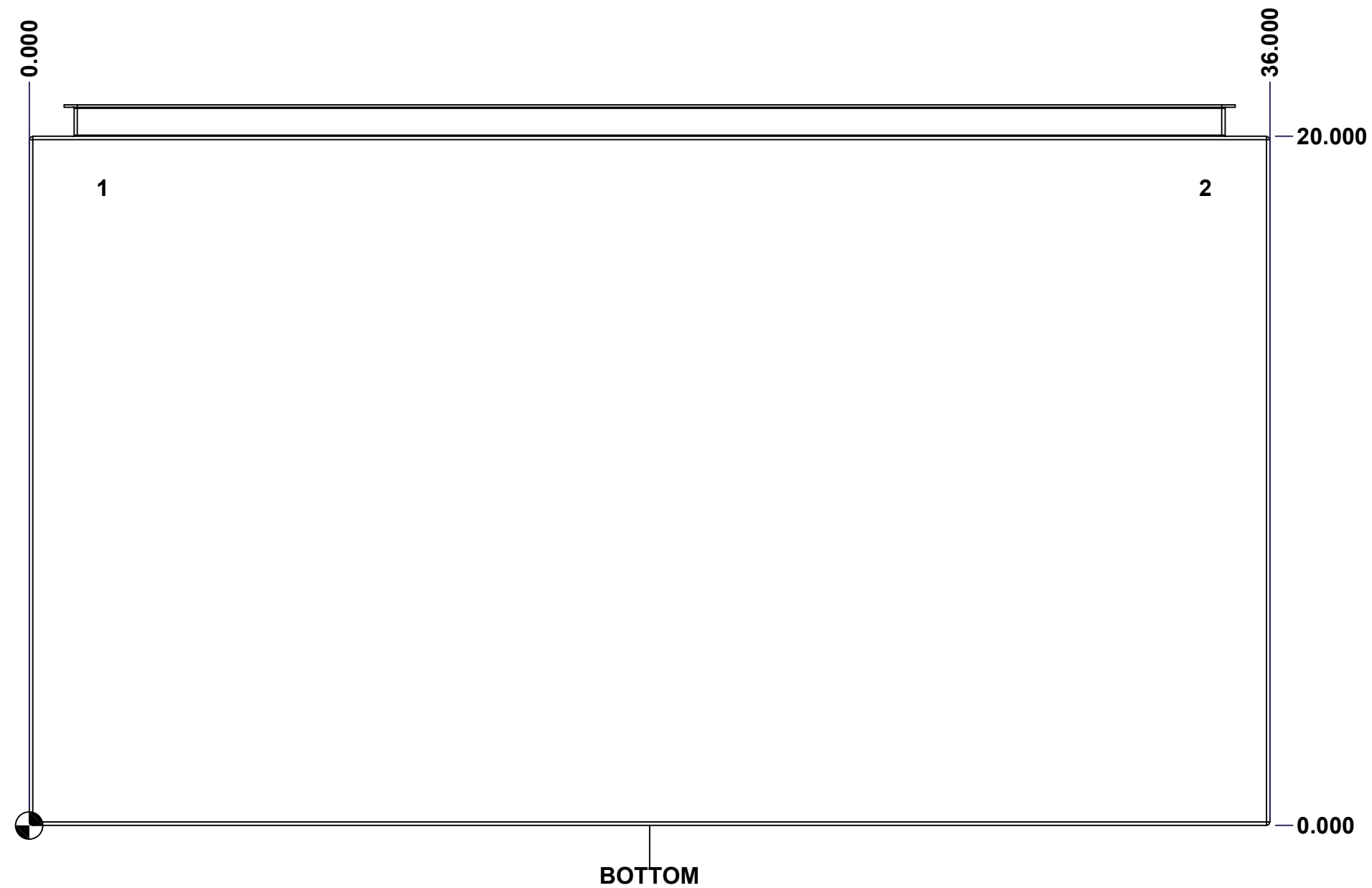


| | | |
|--|-------------------------------|--------------|
| | Description | Status |
| | 5412ESDG 60" x 36" x 20" Body | (NULL) |
| | Part Number Numéro Pièce | Rev. |
| | 5412ESDG603620THB | 0 / 4 |
| | | 16 |

This drawing is confidential and must not be reproduced or used without the consent of EXM

Ce dessin est confidentiel et ne doit pas être reproduit ou utilisé sans le consentement de EXM

| STANDARD FEATURES ARE NOT LISTED IN THIS HOLE TABLE | | | |
|--|--------|--------|--------------------------------|
| HOLE TABLE - BOTTOM VIEW (CUSTOM FEATURE ONLY) | | | |
| CUT-OUT | XDIM | YDIM | DESCRIPTION |
| 1 | 2.000 | 18.500 | INSUL. STUD M6 x 18mm (Inside) |
| 2 | 34.000 | 18.500 | INSUL. STUD M6 x 18mm (Inside) |



| | | |
|--|-------------------------------|----------|
| | Description | Status |
| | 5412ESDG 60" x 36" x 20" Body | (NULL) |
| | Part Number Numéro Pièce | Rev. |
| | 5412ESDG603620THB | 0 |
| | | 5 |
| | | 16 |

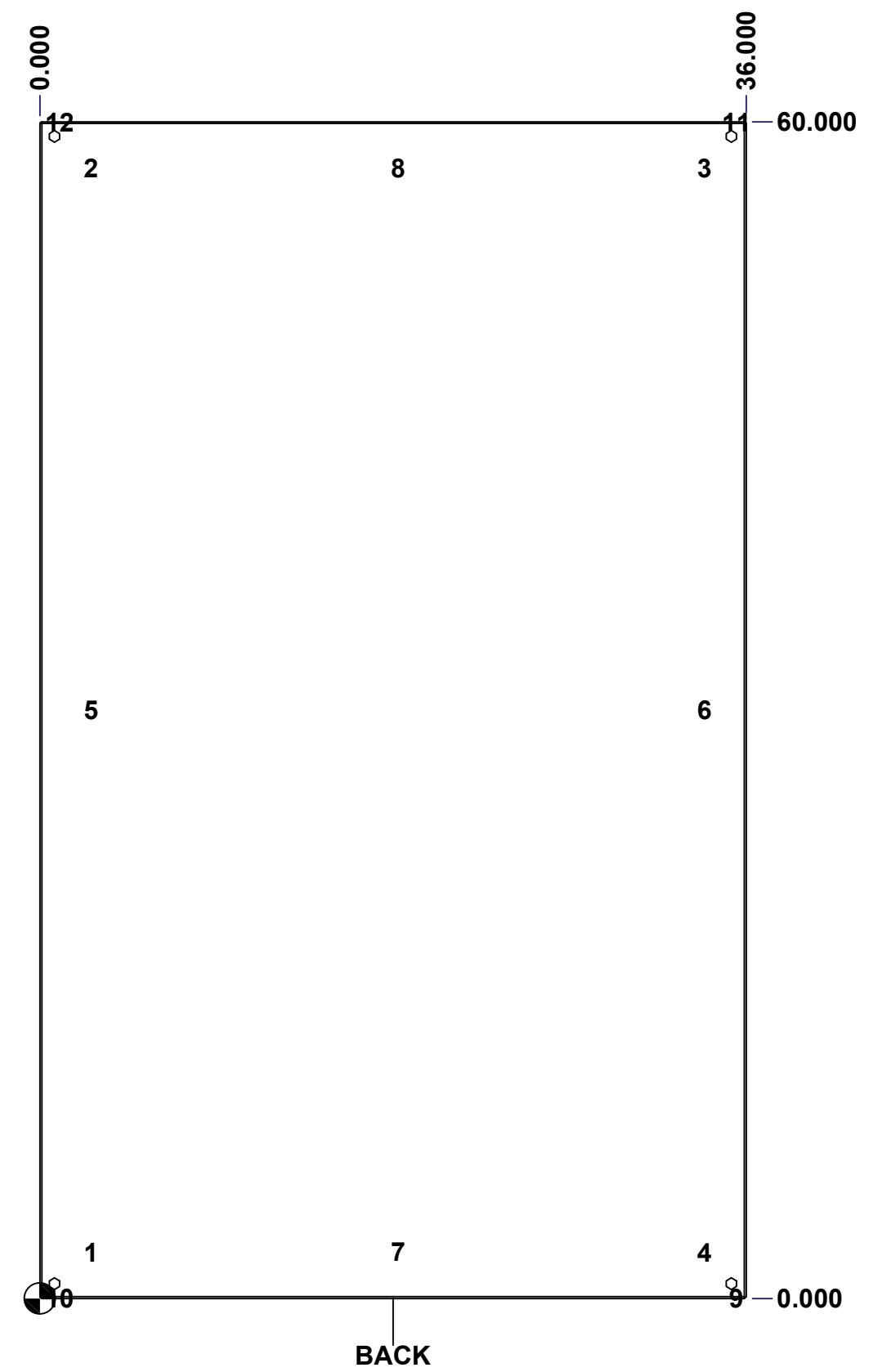
This drawing is confidential and must not be reproduced or used without the consent of EXM

Ce dessin est confidentiel et ne doit pas être reproduit ou utilisé sans le consentement de EXM

STANDARD FEATURES ARE NOT LISTED IN THIS HOLE TABLE

HOLE TABLE - BACK VIEW (CUSTOM FEATURE ONLY)

| CUT-OUT | XDIM | YDIM | DESCRIPTION |
|---------|--------|--------|----------------------------|
| 1 | 2.375 | 2.375 | IP STUD M8 x 35mm (Inside) |
| 2 | 2.375 | 57.625 | IP STUD M8 x 35mm (Inside) |
| 3 | 33.625 | 57.625 | IP STUD M8 x 35mm (Inside) |
| 4 | 33.625 | 2.375 | IP STUD M8 x 35mm (Inside) |
| 5 | 2.375 | 30.000 | IP STUD M8 x 35mm (Inside) |
| 6 | 33.625 | 30.000 | IP STUD M8 x 35mm (Inside) |
| 7 | 18.000 | 2.375 | IP STUD M8 x 35mm (Inside) |
| 8 | 18.000 | 57.625 | IP STUD M8 x 35mm (Inside) |
| ----- | | | |
| 9 | 35.250 | 0.000 | FOOT 885 ESMF3_OPEN |
| 10 | 0.750 | 0.000 | FOOT 885 ESMF3_OPEN |
| 11 | 35.250 | 60.000 | FOOT 885 ESMF3_CLOSE |
| 12 | 0.750 | 60.000 | FOOT 885 ESMF3_CLOSE |

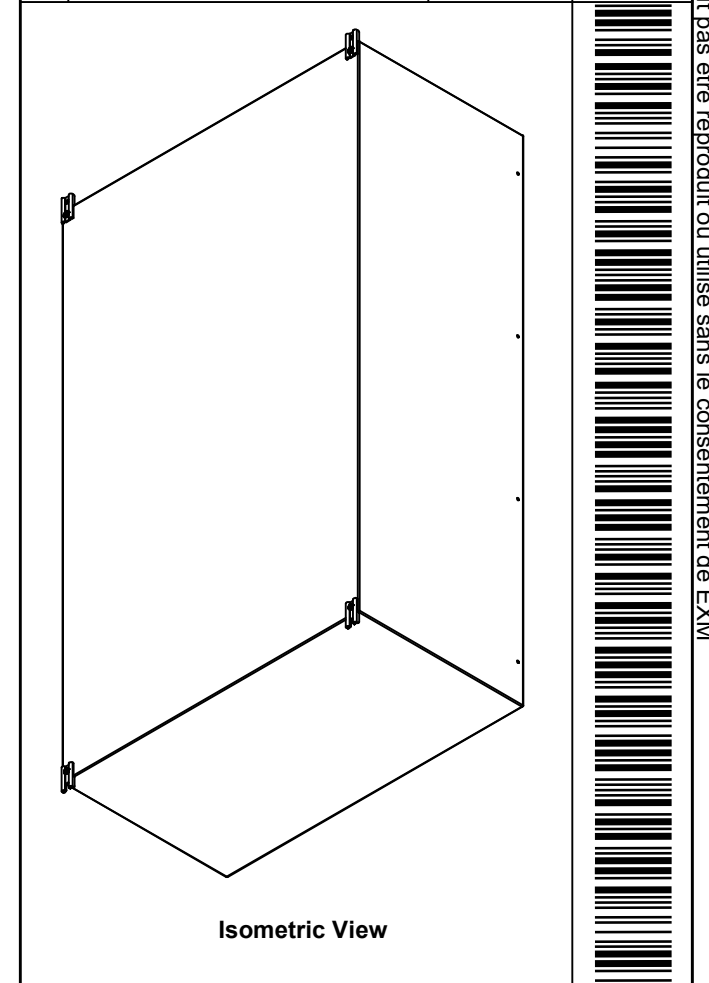


| | | |
|---|-------------------------------|--------|
| | Description | Status |
| | 5412ESDG 60" x 36" x 20" Body | (NULL) |
| Part Number Numéro Pièce 5412ESDG603620THB | Rev. | 6 |
| | 0 | 16 |

This drawing is confidential and must not be reproduced or used without the consent of EXM

Ce dessin est confidentiel et ne doit pas être reproduit ou utilisé sans le consentement de EXM

| No. | Revisions | Date | By/Par |
|-----|-----------|------|--------|
| | | | |
| | | | |
| | | | |
| | | | |
| | | | |

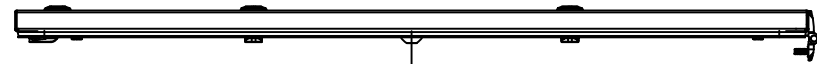


| | | | |
|------------|----------------------|-----|--|
| 1 | 885 ESMF3 | 0 | 885 ESMF3 Mounting Foot Kit |
| 4 | RIVET_NUT_M10_FH_CE | 0 | Rivet Nut M10 (Low Profile Close End) |
| 1 | STK-K-70554 | 3 | 5412 ESTH Accessory Kit |
| 1 | 5412ESDG603620THI-RS | 0 | 5412ESDG 60" x 36" Right Insulation |
| 1 | 5412ESDG603620THI-LS | 0 | 5412ESDG 60" x 36" Left Insulation |
| 1 | 5412ESDG603620THI-BT | 0 | 5412ESDG 60" x 36"Bottom Insulation |
| 1 | 5412ESDG603620THI-TP | 0 | 5412ESDG 60" x 36"Top Insulation |
| 1 | 5412ESDG603620THI-B | 0 | 5412ESDG 60" x 36" Back Insulation |
| 4 | STK-Q-16055 | 1 | M6 x 18mm Stud (No Paint Cap Required) |
| 1 | STK-P-02400S | 0 | Powder Paint (Asa-61 Grey / Smooth) |
| 8 | STK-Q-16005 | 0 | Stud M8 x 35mm Steel |
| 1 | 5412ESDG603620THB-P | 0 | 5412ESDG 60" x 36" x 20" Body Part |
| Qty | Part Number | Rev | Description |
| Parts List | | | |

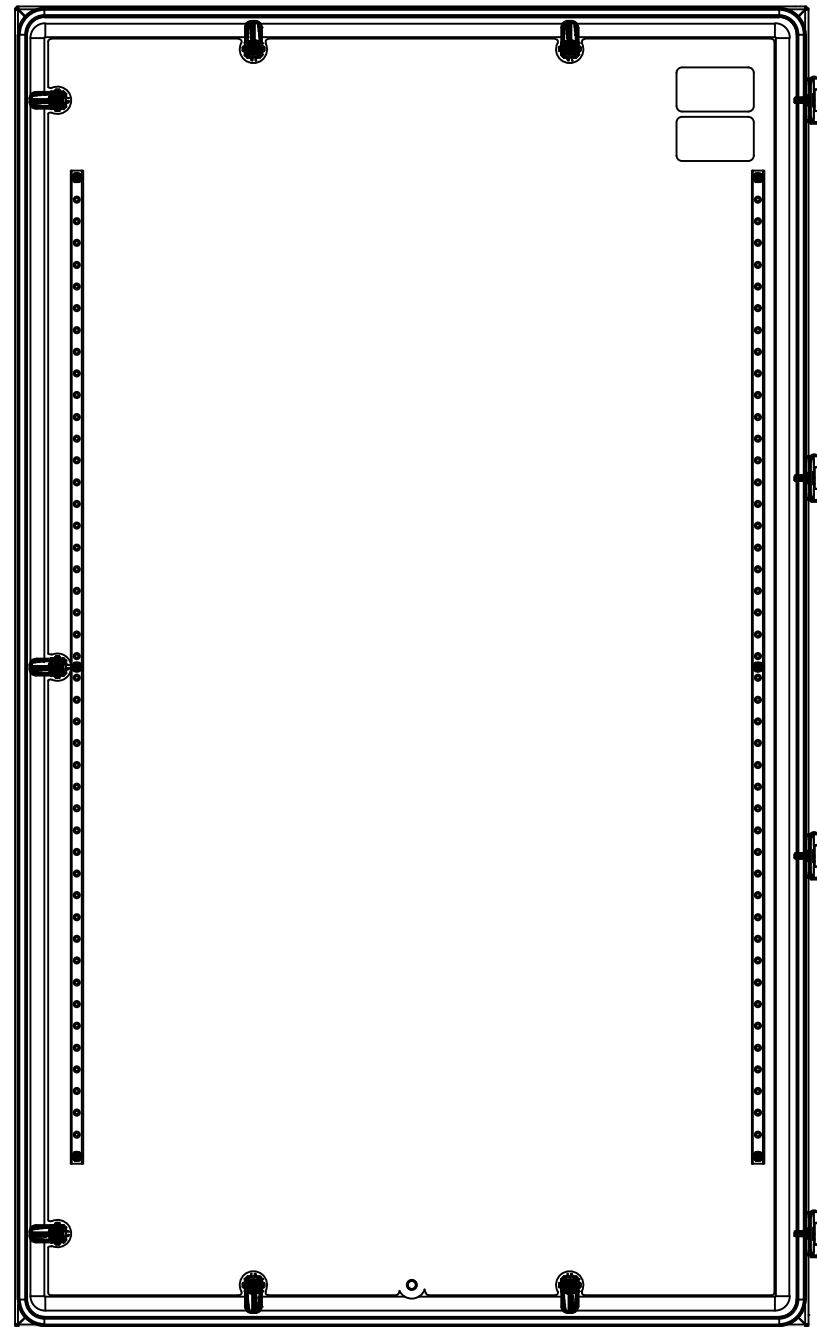
| | | |
|--|---|--|
| | | Flatness Aplatissement Max 3.0mm |
| Tél: (450) 979-4373 Fax: (450) 979-4626 www.exmweb.com | | Projection |
| Customer Client | Date | |
| Drawn By Dessiné Par | BoxCad: BoxCad | Date 03-Jan-25 |
| Material Matière | 14 Ga Cold Rolled A1008 CS Type B (1.7mm) | |
| Color Couleur | Asa-61 Grey | Finish Fini Smooth |
| Description | Detail Rev. | |
| 5412ESDG 60" x 36" x 20" Body | | |
| Part Number Numéro Pièce | Rev. | 7 |
| 5412ESDG603620THB | 0 | 16 |

This drawing is confidential and must not be reproduced or used without the consent of EXM

Ce dessin est confidentiel et ne doit pas être reproduit ou utilisé sans le consentement de EXM



TOP

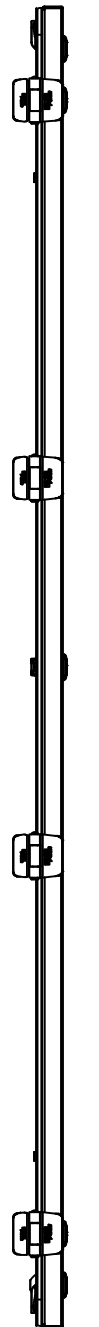


BACK



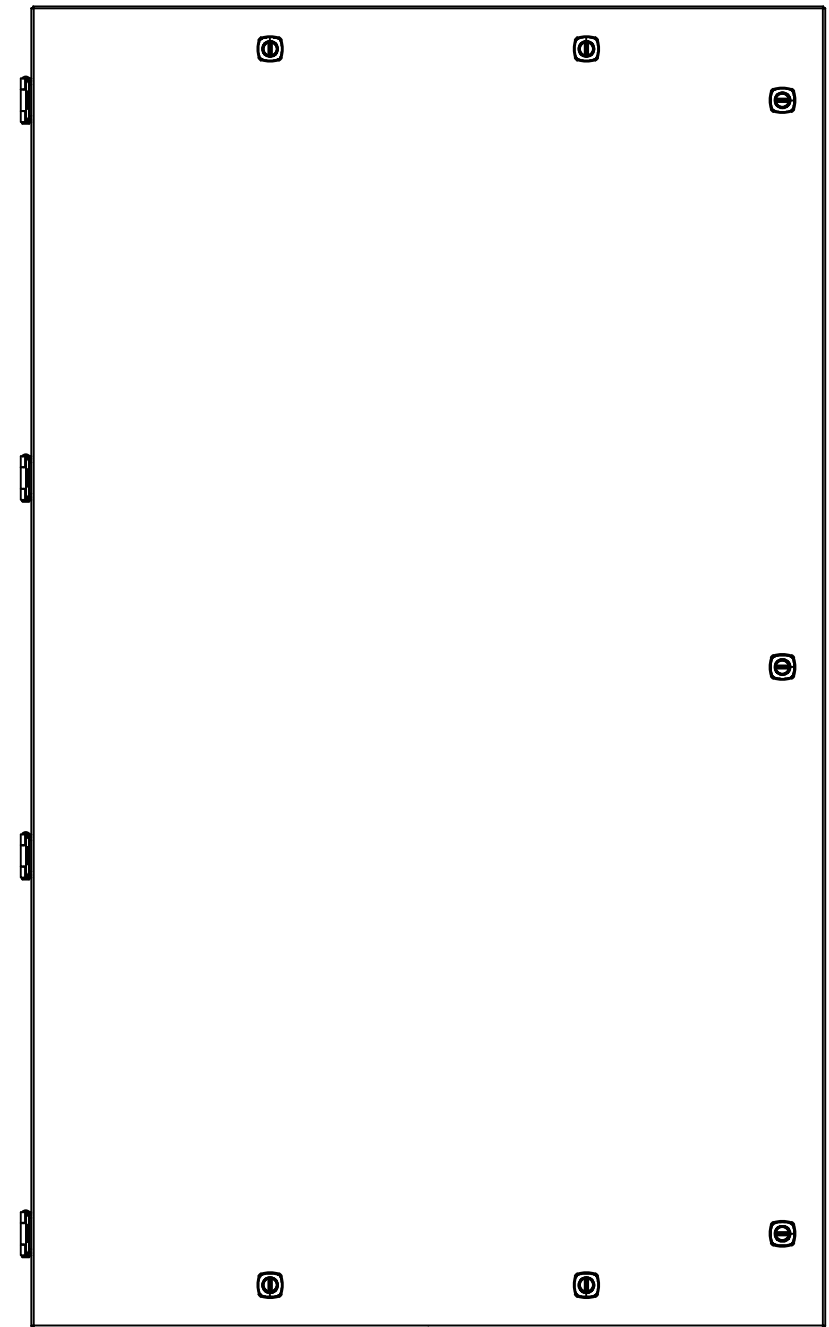
BOTTOM

0.000
0.934



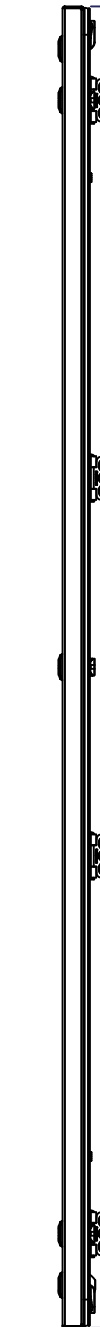
LEFT

0.000
35.918



FRONT

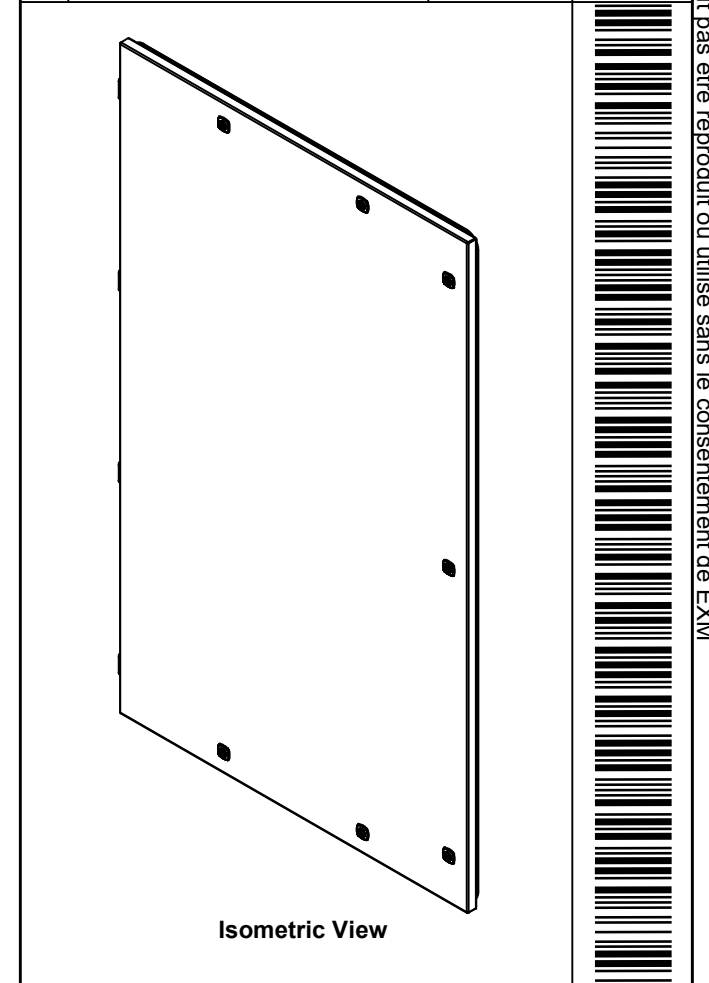
59.803


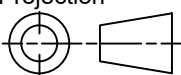


RIGHT

0.000

| No. | Revisions | Date | By/Par |
|-----|-----------|------|--------|
| | | | |
| | | | |
| | | | |
| | | | |

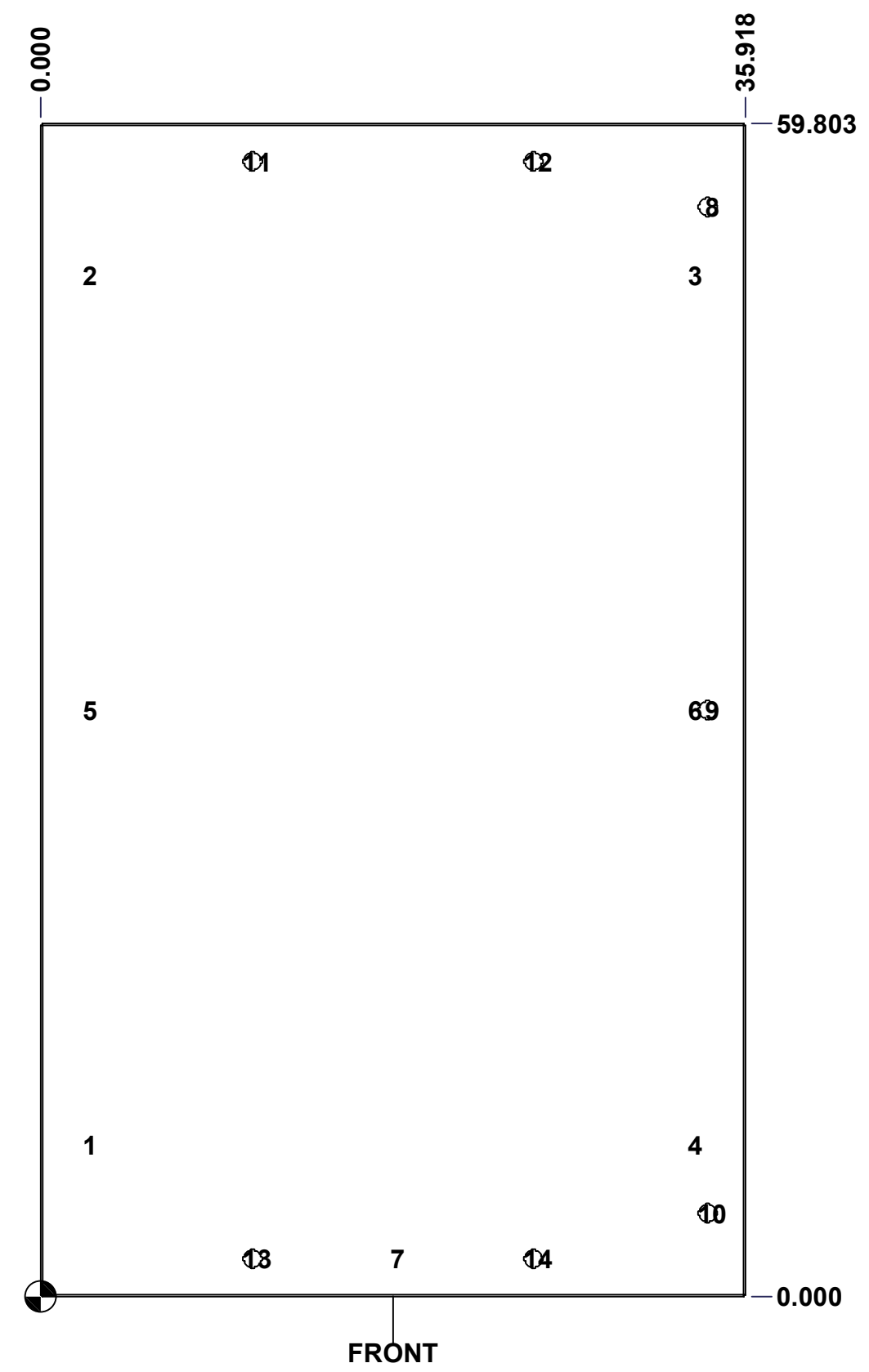


| | | |
|--|---|---|
|  Tél: (450) 979-4373 Fax: (450) 979-4626 www.exmweb.com | | Flatness Aplatissement Max 3.0mm Projection  |
| Customer Client | Date | Date |
| Drawn By Dessiné Par | BoxCad: BoxCad | 03-Jan-25 |
| Material Matière | 14 Ga Cold Rolled A1008 CS Type B (1.7mm) | |
| Color Couleur | Asa-61 Grey | Finish Fini Smooth |
| Description | 5412ESDG 60" x 36" Cover | |
| Part Number Numéro Pièce | Rev. | 8 |
| SEE BILL OF MATERIAL ON LAST PAGE | | 0 |
| 5412ESDG603620THC | | 16 |

This drawing is confidential and must not be reproduced or used without the consent of EXM

Ce dessin est confidentiel et ne doit pas être reproduit ou utilisé sans le consentement de EXM

| STANDARD FEATURES ARE NOT LISTED IN THIS HOLE TABLE | | | |
|---|--------|--------|---------------------------|
| HOLE TABLE - FRONT VIEW (CUSTOM FEATURE ONLY) | | | |
| CUT-OUT | XDIM | YDIM | DESCRIPTION |
| 1 | 2.286 | 7.756 | STUD M6 x 18mm (Inside) |
| 2 | 2.286 | 52.047 | STUD M6 x 18mm (Inside) |
| 3 | 33.117 | 52.047 | STUD M6 x 18mm (Inside) |
| 4 | 33.117 | 7.756 | STUD M6 x 18mm (Inside) |
| 5 | 2.286 | 29.902 | STUD M6 x 18mm (Inside) |
| 6 | 33.117 | 29.902 | STUD M6 x 18mm (Inside) |
| 7 | 17.959 | 1.935 | STUD M6 x 18mm (Inside) |
| ----- | | | |
| 8 | 33.994 | 55.553 | LOCK 880 SCQ4-SL @ 0.0° |
| 9 | 33.994 | 29.902 | LOCK 880 SCQ4-SL @ 0.0° |
| 10 | 33.994 | 4.250 | LOCK 880 SCQ4-SL @ 0.0° |
| 11 | 10.800 | 57.879 | LOCK 880 SCQ4-SL @ 90.0° |
| 12 | 25.118 | 57.879 | LOCK 880 SCQ4-SL @ 90.0° |
| 13 | 10.800 | 1.924 | LOCK 880 SCQ4-SL @ 270.0° |
| 14 | 25.118 | 1.924 | LOCK 880 SCQ4-SL @ 270.0° |

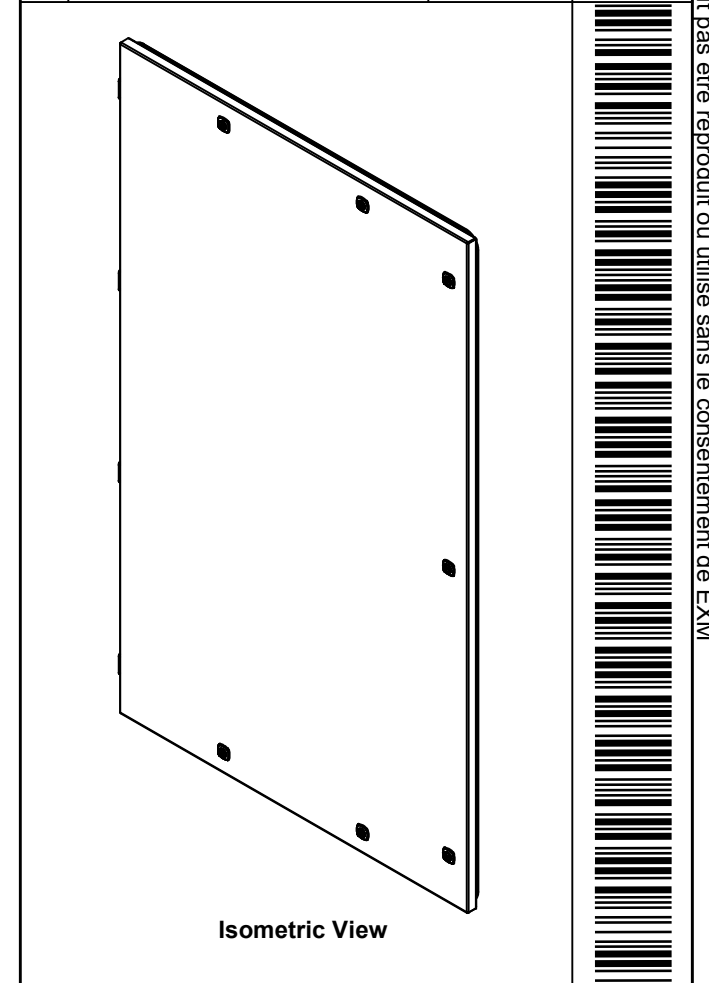


| | | |
|---|--------------------------|--------|
| | Description | Status |
| | 5412ESDG 60" x 36" Cover | (NULL) |
| Part Number Numéro Pièce 5412ESDG603620THC | Rev. | 9 |
| | 0 | 16 |

This drawing is confidential and must not be reproduced or used without the consent of EXM


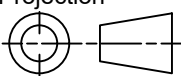
Ce dessin est confidentiel et ne doit pas être reproduit ou utilisé sans le consentement de EXM

| No. | Revisions | Date | By/Par |
|-----|-----------|------|--------|
| | | | |
| | | | |
| | | | |
| | | | |
| | | | |



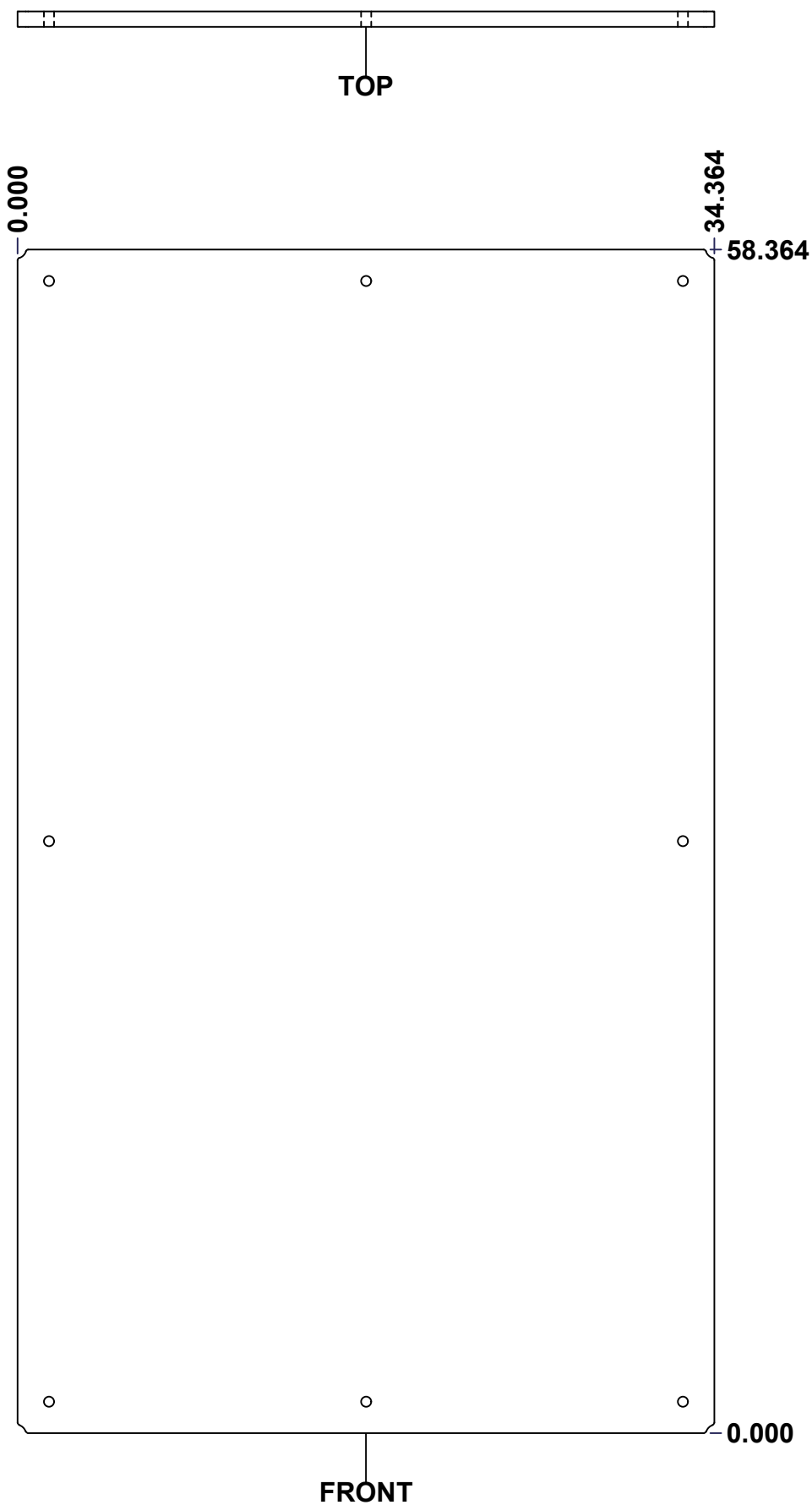
| | | | |
|---|---------------------|----|--|
| 7 | STK-K-12500 | 19 | 5412 ES 1/4 Turn Lock |
| 2 | STK-S-00100 | 0 | 3.5" x 2" Silver Milar Flexcon Sticker |
| 6 | STK-Q-07250 | 2 | M6 x 16mm Collar Nut |
| 2 | STK-Q-46020-48 | 5 | 5412 ES Vertical Door Stiffener 48" |
| 1 | 5412ESDG603620THI-C | 0 | 5412ESDG 60" x 36" Cover Insulation |
| 1 | STK-P-02400S | 0 | Powder Paint (Asa-61 Grey / Smooth) |
| 1 | STK-Q-46515 | 3 | 5412 ES Door Support with Brass Insert |
| 7 | STK-Q-16055 | 1 | M6 x 18mm Stud (No Paint Cap Required) |
| 1 | 5412ESDG603620THG2 | 0 | 5412ESDG 60" x 36" Cover Gasket |
| 1 | 5412ESDG603620THG | 0 | 5412ESDG 60" x 36" Cover Gasket |
| 1 | 5412ESDG603620THC-P | 0 | 5412ESDG 60" x 36" Cover Part |
| 4 | STK-A-02360 | 0 | External Hinge for Double Gasket |
| 4 | STK-Q-07220 | 1 | M6 Nylon Insert Lock Nut |
| 4 | STK-Q-10252 | 0 | M6 Stainless Steel Sealing Washer |

| QTY | Part Number | Rev | Description |
|------------|-------------|-----|-------------|
| Parts List | | | |

| | | |
|--|---|---|
|  Tél: (450) 979-4373 Fax: (450) 979-4626 www.exmweb.com | Flatness Aplatissement | Max 3.0mm |
| | Projection |  |
| Customer Client | Date | |
| Drawn By Dessiné Par | BoxCad: BoxCad | Date 03-Jan-25 |
| Material Matière | 14 Ga Cold Rolled A1008 CS Type B (1.7mm) | |
| Color Couleur | Asa-61 Grey | Finish Fini Smooth |
| Description | Detail Rev. | |
| 5412ESDG 60" x 36" Cover | | |
| Part Number Numéro Pièce | Rev. 0 | 10 / 16 |
| 5412ESDG603620THC | | |

This drawing is confidential and must not be reproduced or used without the consent of EXM

Ce dessin est confidentiel et ne doit pas être reproduit ou utilisé sans le consentement de EXM



| No. | Revisions | Date | By/Par |
|-----|-----------|------|--------|
| | | | |
| | | | |
| | | | |
| | | | |
| | | | |

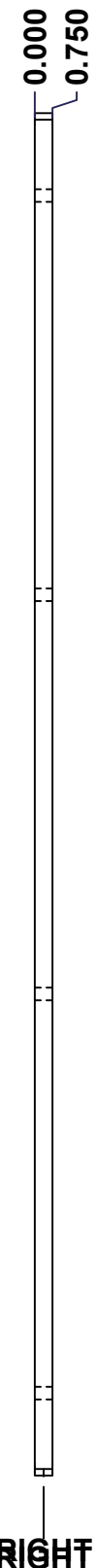
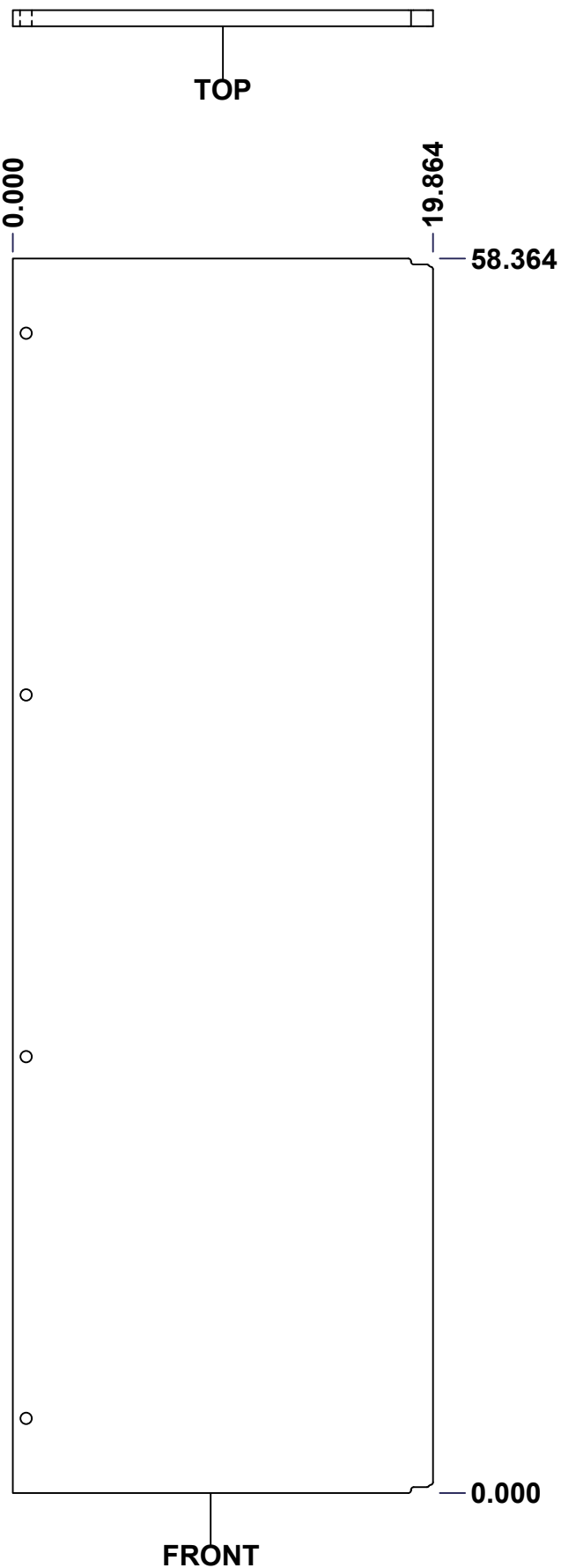
Isometric View

| | | |
|---|---------------------------|--|
| <p>Tél: (450) 979-4373 Fax: (450) 979-4626 www.exmweb.com</p> | | Flatness Aplatissement Max 3.0mm Projection |
| Customer Client | Date | |
| Drawn By Dessiné Par | BoxCad: Patrick Deschenes | Date 23-Jan-07 |
| Material Matière | Polyisocyanurate | |
| Color Couleur | Aluminum | Finish Fini N/A |
| Description | | Detail Rev. |
| 5412ESDG 60" x 36" Back Insulation | | |
| Part Number Numéro Pièce | Rev. | 11 |
| 5412ESDG603620THI-B | 0 | 16 |

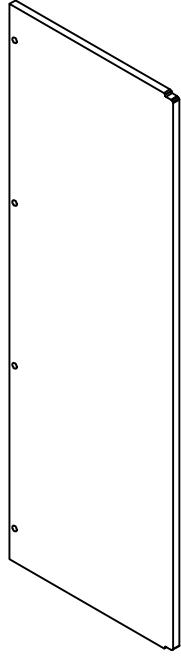
SEE BILL OF MATERIAL ON LAST PAGE

This drawing is confidential and must not be reproduced or used without the consent of EXM


Ce dessin est confidentiel et ne doit pas être reproduit ou utilisé sans le consentement de EXM




| No. | Revisions | Date | By/Par |
|-----|-----------|------|--------|
| | | | |
| | | | |
| | | | |
| | | | |
| | | | |



Isometric View

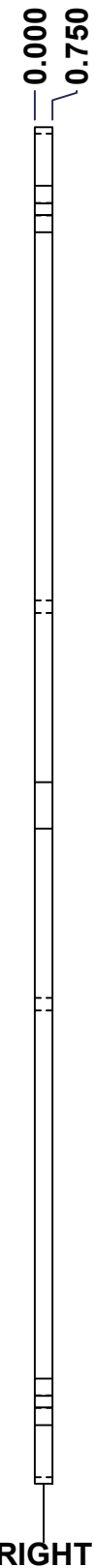
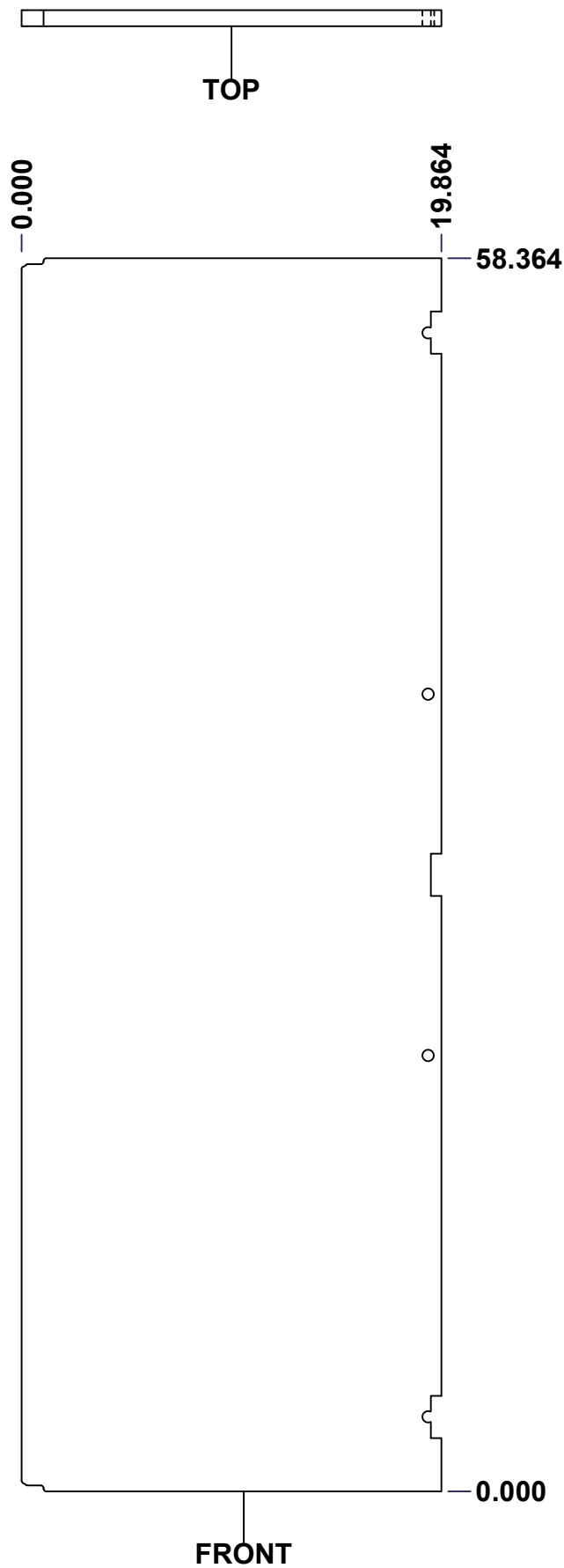


| | | | |
|--|----------|---------------------------|-------------|
|  Tél: (450) 979-4373 Fax: (450) 979-4626 www.exmweb.com | | Flatness Aplatissement | |
| | | Max 3.0mm | |
| Customer Client | | Date | |
| Drawn By Dessiné Par | | Date 23-Jan-07 | |
| Material Matière | | Polyisocyanurate | |
| Color Couleur | Aluminum | Finish Fini | N/A |
| Description | | | Detail Rev. |
| 5412ESDG 60" x 36" Left Insulation | | | |
| Part Number Numéro Pièce | | Rev. | 12 |
| 5412ESDG603620THI-LS | | 0 | 16 |

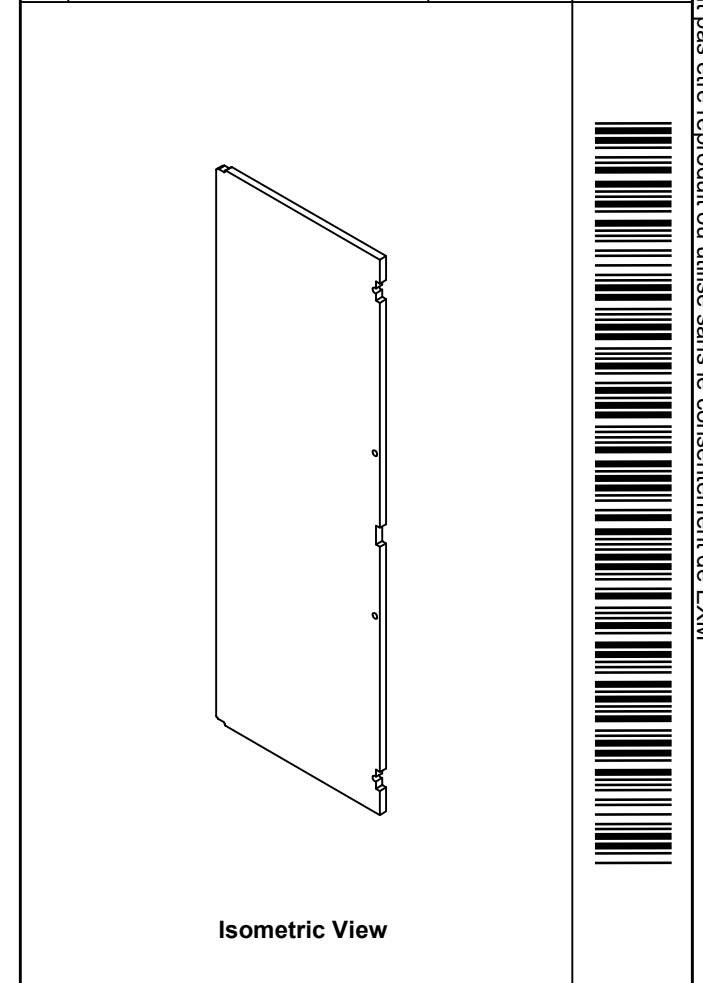
SEE BILL OF MATERIAL ON LAST PAGE


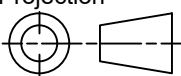
This drawing is confidential and must not be reproduced or used without the consent of EXM

Ce dessin est confidentiel et ne doit pas être reproduit ou utilisé sans le consentement de EXM



| No. | Revisions | Date | By/Par |
|-----|-----------|------|--------|
| | | | |
| | | | |
| | | | |
| | | | |
| | | | |



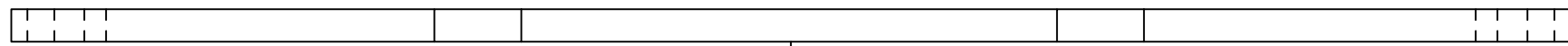
| | | |
|--|---------------------------|---|
|  Tél: (450) 979-4373 Fax: (450) 979-4626 www.exmweb.com | | Flatness Aplatissement Max 3.0mm Projection  |
| Customer Client | Date | |
| Drawn By Dessiné Par | BoxCad: Patrick Deschenes | Date 23-Jan-07 |
| Material Matière | Polyisocyanurate | |
| Color Couleur | Aluminum | Finish Fini N/A |
| Description | Detail Rev. | |
| 5412ESDG 60" x 36" Right Insulation | | |
| Part Number Numéro Pièce | Rev. 0 | 13 / 16 |

SEE BILL OF MATERIAL ON LAST PAGE

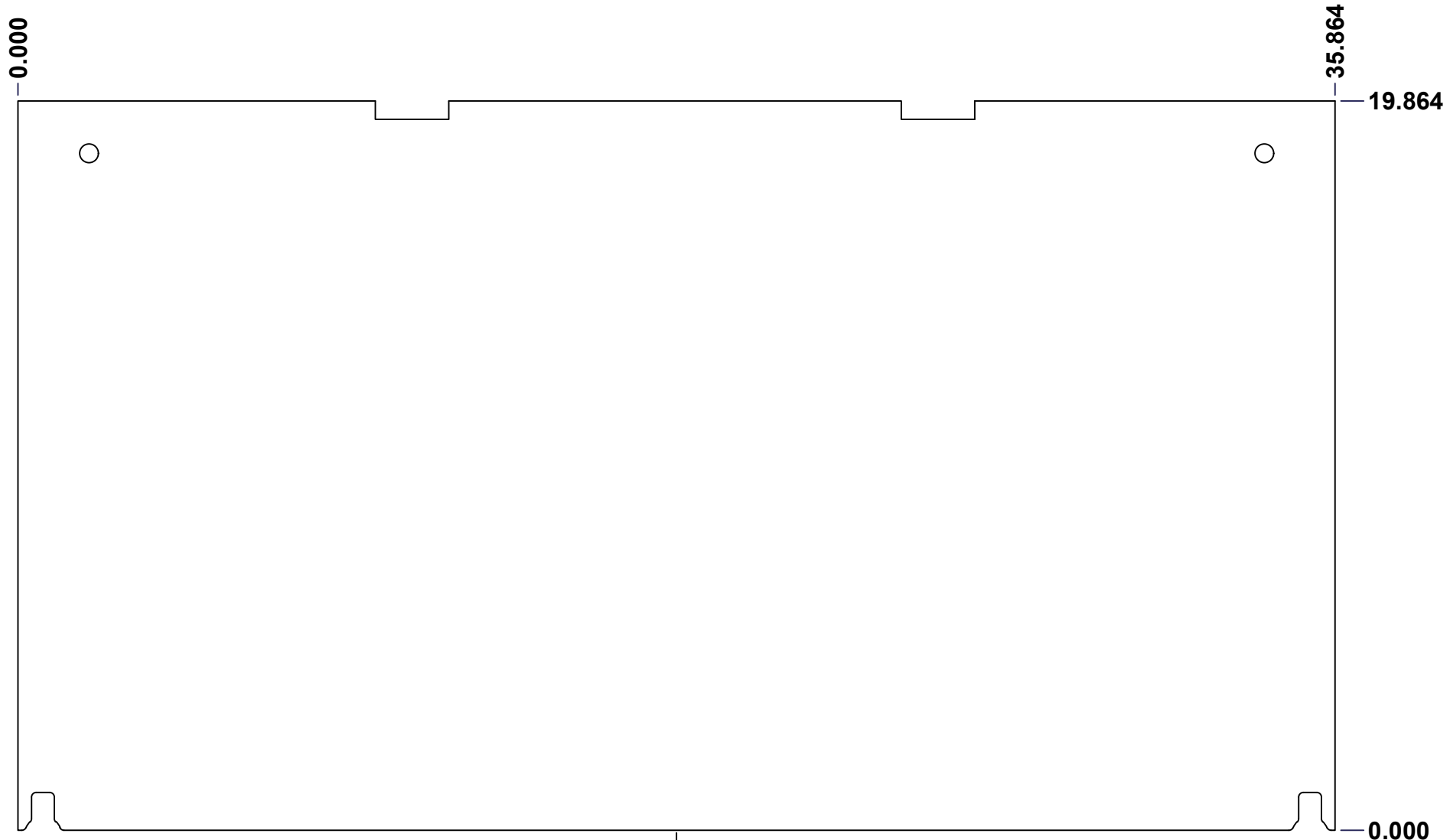
5412ESDG603620TH-RS

This drawing is confidential and must not be reproduced or used without the consent of EXM

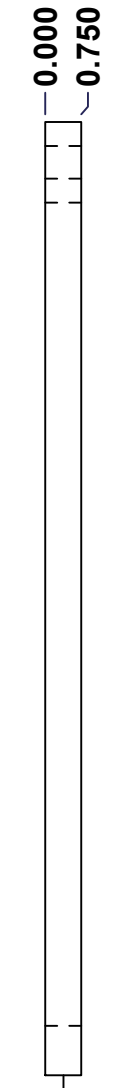
Ce dessin est confidentiel et ne doit pas être reproduit ou utilisé sans le consentement de EXM



TOP

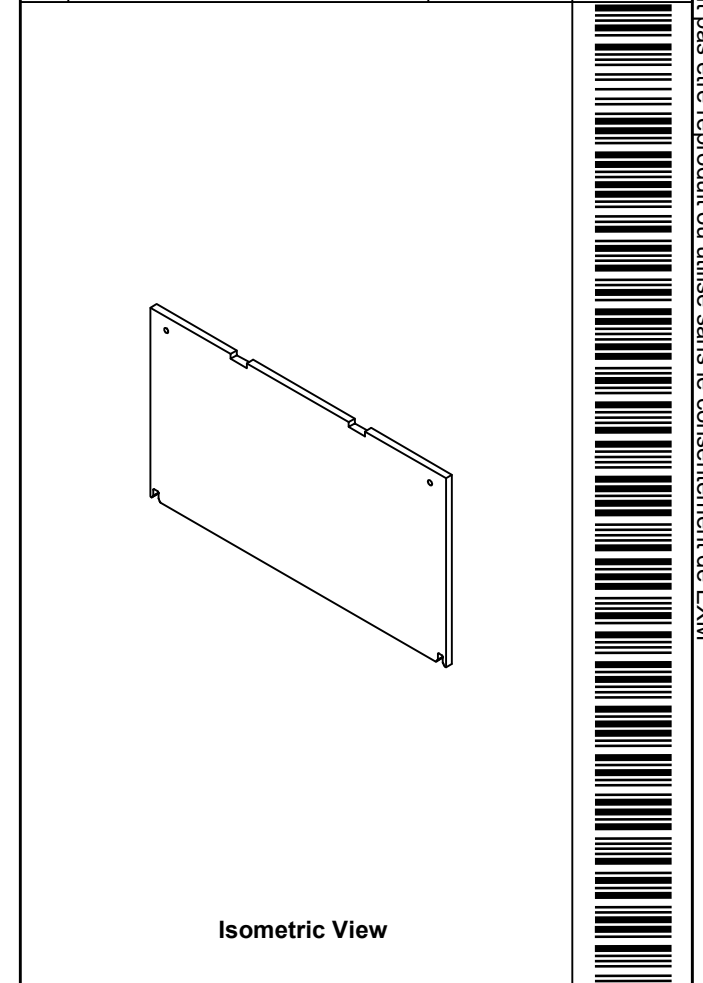


FRONT



RIGHT

| No. | Revisions | Date | By/Par |
|-----|-----------|------|--------|
| | | | |
| | | | |
| | | | |
| | | | |
| | | | |



Isometric View



Tél: (450) 979-4373
 Fax: (450) 979-4626
www.exmweb.com

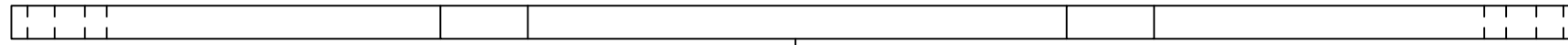
Flatness
Aplatissement
Max 3.0mm
Projection

| | |
|---|-----------------------|
| Customer Client | Date |
| Drawn By Dessiné Par BoxCad: BoxCad | Date 4/3/2024 |
| Material Matière Polyisocyanurate | |
| Color Couleur Aluminum | Finish Fini Smooth |
| Description 5412ESDG 60" x 36"Top Insulation | Detail Rev. |
| Part Number Numéro Pièce 5412ESDG603620THI-TP | Rev. 0 |

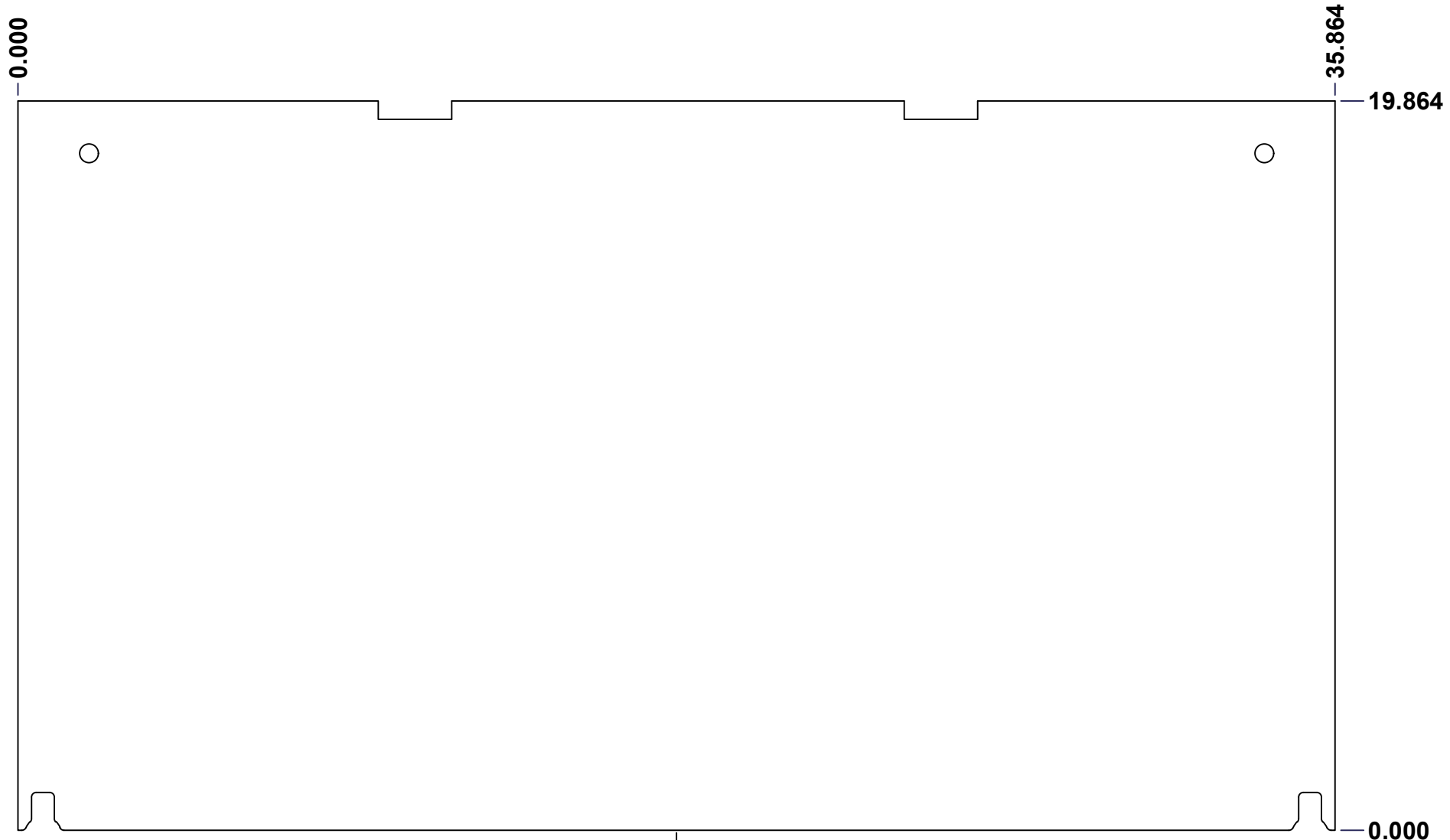
SEE BILL OF MATERIAL ON LAST PAGE

This drawing is confidential and must not be reproduced or used without the consent of EXM

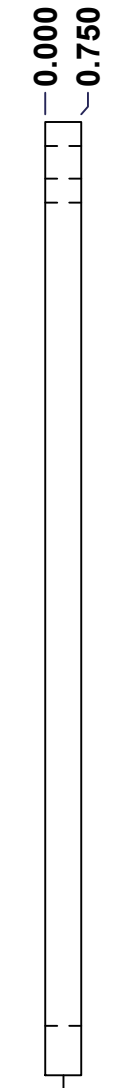
Ce dessin est confidentiel et ne doit pas être reproduit ou utilisé sans le consentement de EXM



TOP

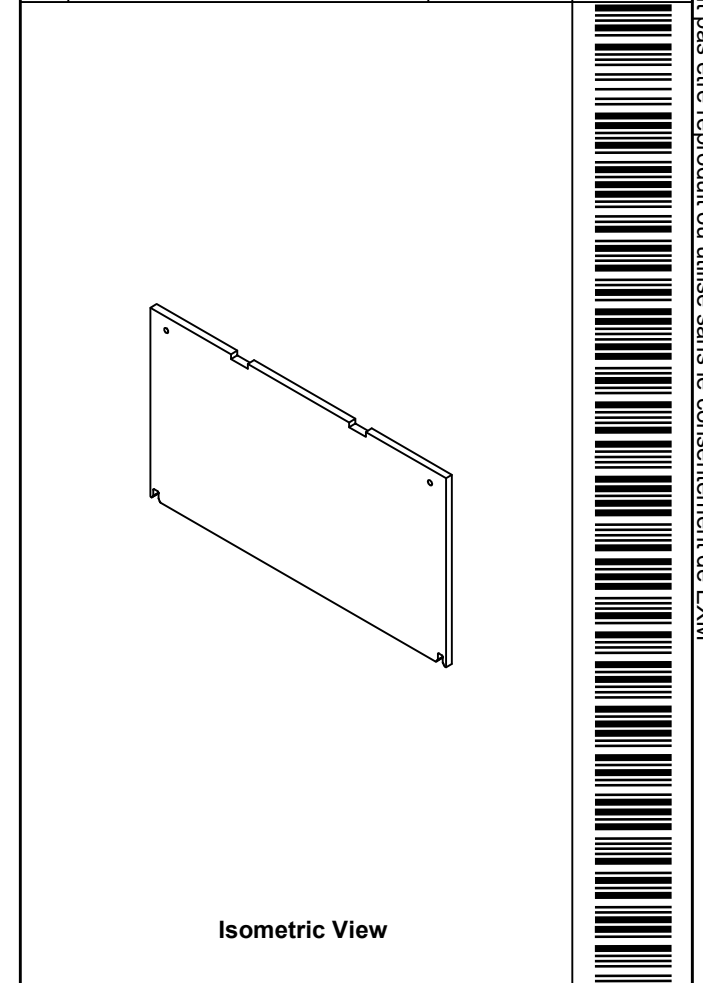


FRONT



RIGHT

| No. | Revisions | Date | By/Par |
|-----|-----------|------|--------|
| | | | |
| | | | |
| | | | |
| | | | |
| | | | |



Isometric View



Tél: (450) 979-4373
 Fax: (450) 979-4626
www.exmweb.com

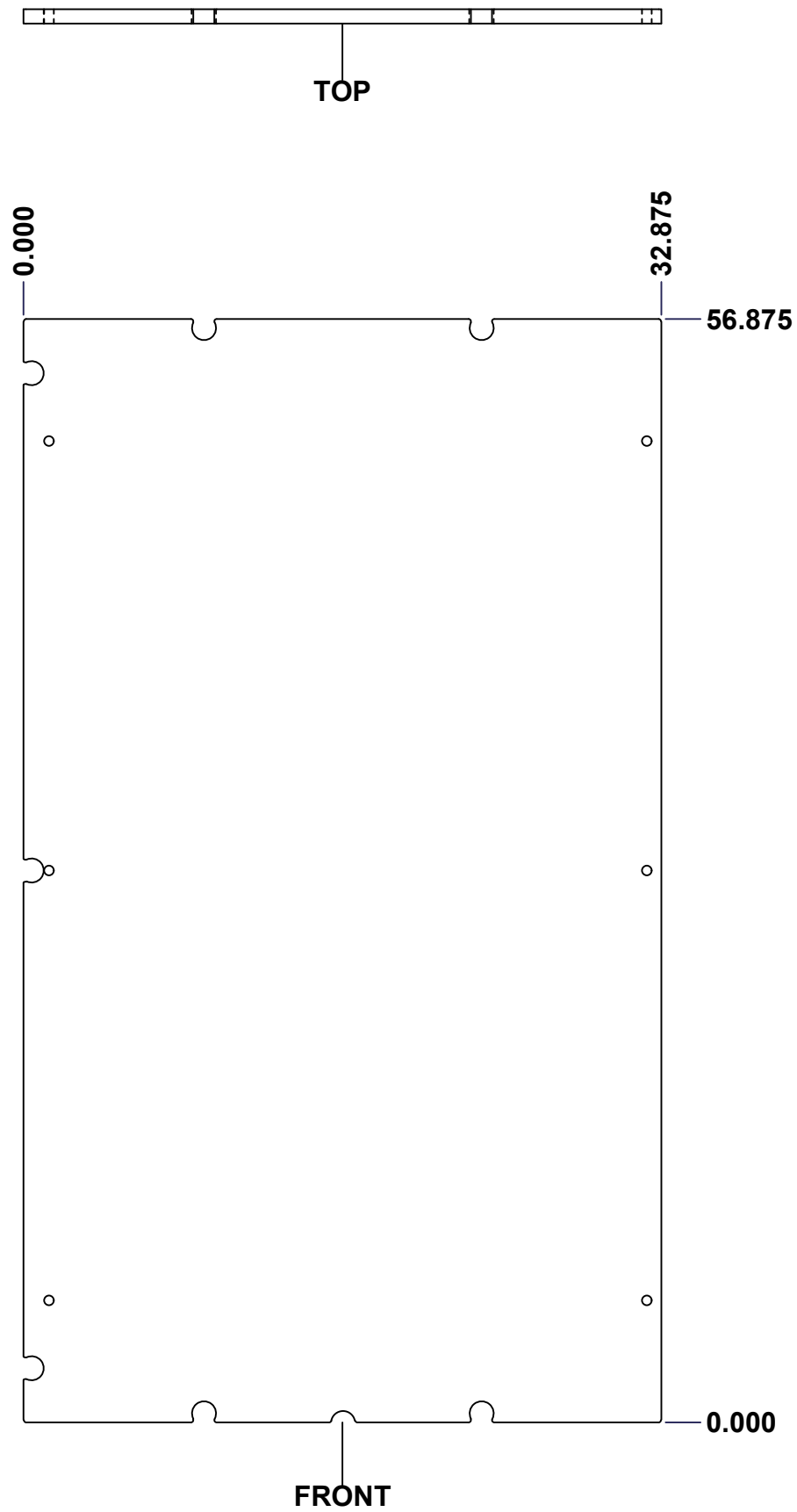
Flatness
Aplatissement
Max 3.0mm
Projection

| | |
|--|-----------------------|
| Customer Client | Date |
| Drawn By / Dessiné Par: BoxCad: BoxCad | Date: 4/3/2024 |
| Material / Matière: Polyisocyanurate | |
| Color / Couleur: Aluminum | Finish / Fini: Smooth |
| Description: 5412ESDG 60" x 36"Bottom Insulation | Detail Rev. |
| Part Number / Numéro Pièce: 5412ESDG603620THI-BT | Rev. 0 |

SEE BILL OF MATERIAL ON LAST PAGE

This drawing is confidential and must not be reproduced or used without the consent of EXM

Ce dessin est confidentiel et ne doit pas être reproduit ou utilisé sans le consentement de EXM



| No. | Revisions | Date | By/Par |
|-----|-----------|------|--------|
| | | | |
| | | | |
| | | | |
| | | | |
| | | | |

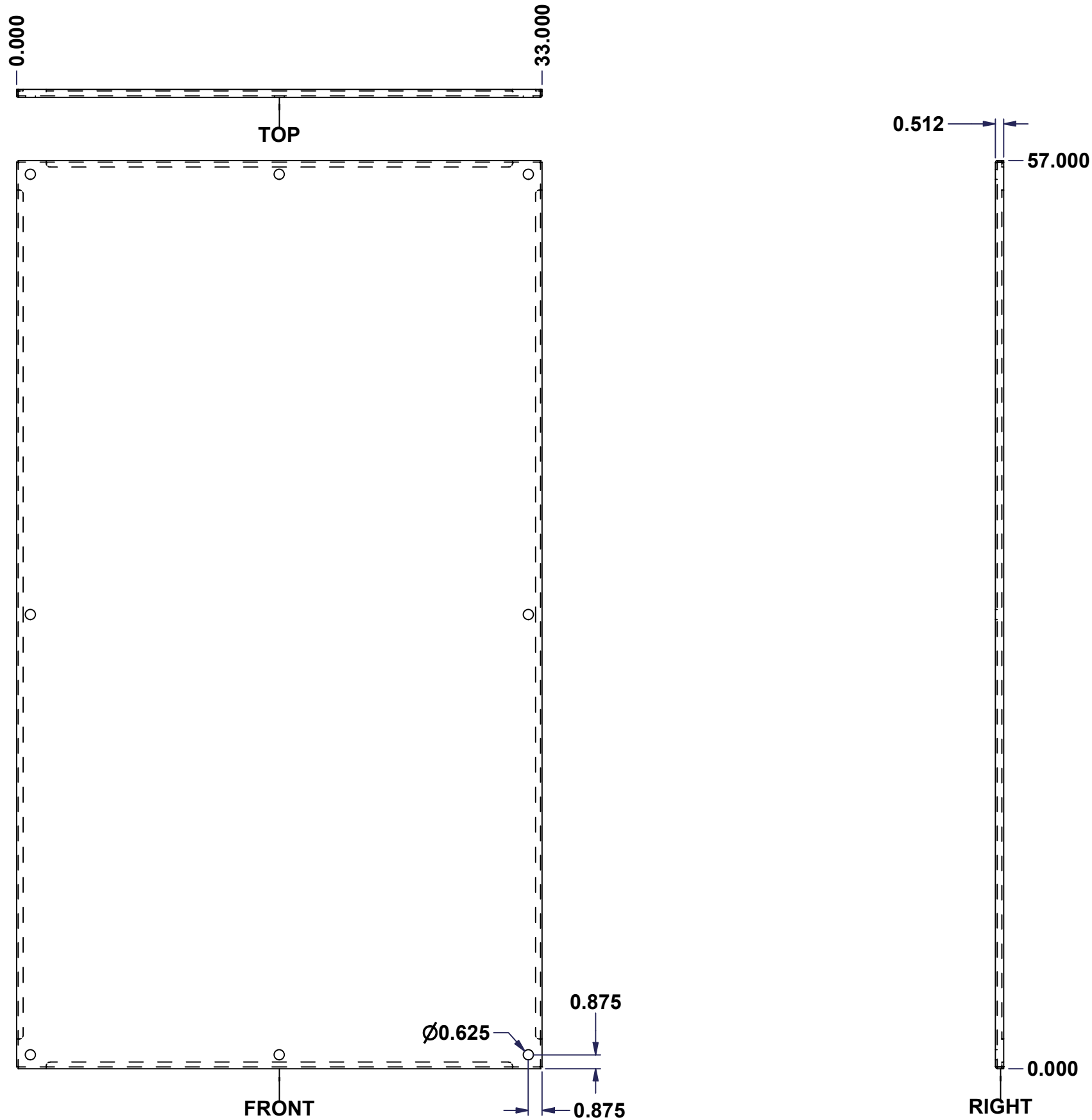
Isometric View

| | | | |
|---|----------|---------------------------|-------------|
| <p>Tél: (450) 979-4373 Fax: (450) 979-4626 www.exmweb.com</p> | | Flatness Aplatissement | |
| | | Max 3.0mm | |
| Customer Client | | Date | |
| Drawn By Dessiné Par | | Date 23-Jan-07 | |
| Material Matière | | Polyisocyanurate | |
| Color Couleur | Aluminum | Finish Fini | N/A |
| Description | | | Detail Rev. |
| 5412ESDG 60" x 36" Cover Insulation | | | |
| Part Number Numéro Pièce | | Rev. | 16 |
| 5412ESDG603620THI-C | | 0 | 16 |

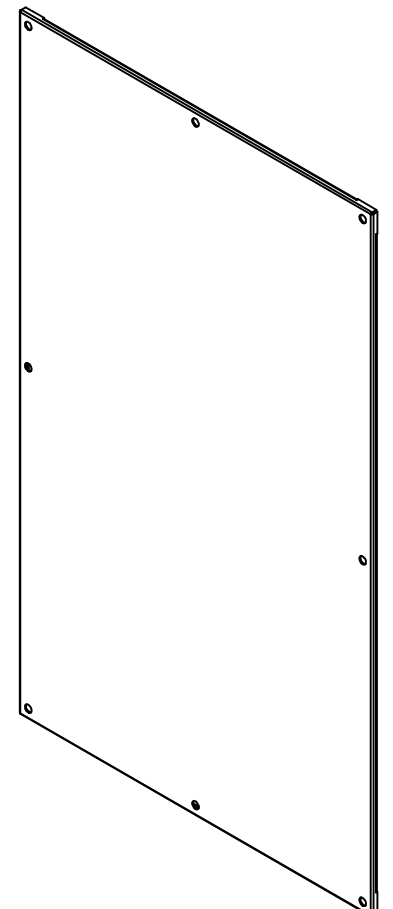
SEE BILL OF MATERIAL ON LAST PAGE

This drawing is confidential and must not be reproduced or used without the consent of EXM

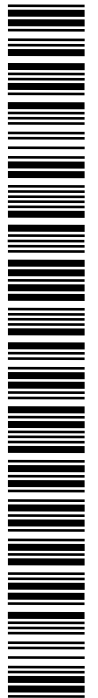
Ce dessin est confidentiel et ne doit pas être reproduit ou utilisé sans le consentement de EXM


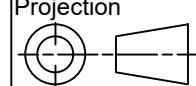


| No. | Revisions | Date | By/Par |
|-----|-----------|------|--------|
| | | | |
| | | | |
| | | | |
| | | | |
| | | | |



Isometric View



| | | |
|--|------------------------------|---|
|  Tél: (450) 979-4373 Fax: (450) 979-4626 www.exmweb.com | | Flatness Aplatissement Max 3.0mm Projection  |
| Customer Client | Date | |
| Drawn By / Dessiné Par: BoxCad: nickz | Date: 01/03/2017 | |
| Material / Matière: 12 Ga Galvanized (2.5mm) | | |
| Color / Couleur: See Part List | Finish / Fini: See Part List | |
| Description: 885SP 60" x 36" Inner Panel Part | | Detail Rev. |
| Part Number / Numéro Pièce: 885SP6036G | | Rev. 1 |

| Qty | Part Number | Rev | Description | Material | Color | Finish |
|-----|--------------|-----|----------------------------------|--------------------------|-----------|------------|
| 1 | 885SP6036G-P | 0 | 885SP 60" x 36" Inner Panel Part | 12 Ga Galvanized (2.5mm) | Unpainted | Galvanized |

Parts List