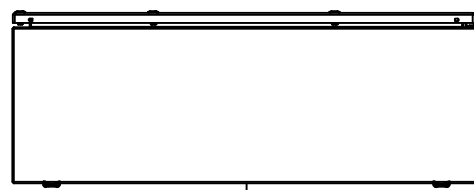
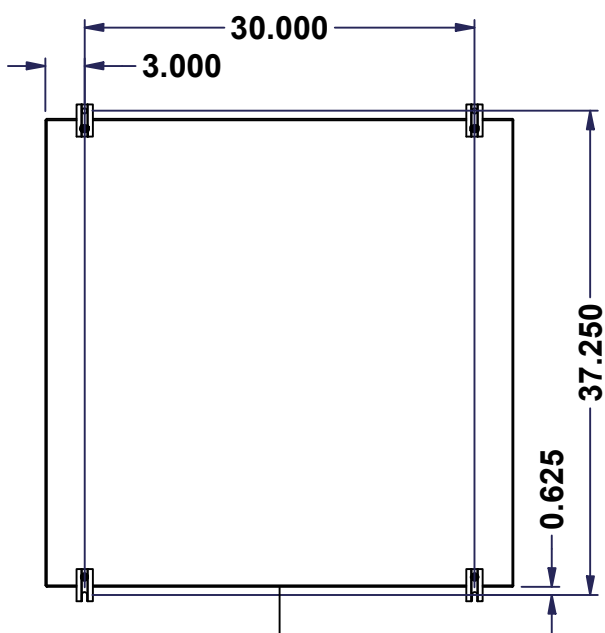


This drawing is confidential and must not be reproduced or used without the consent of EXM

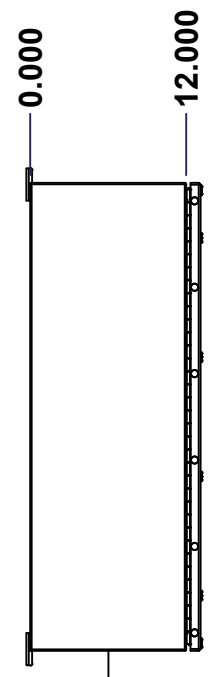
Ce dessin est confidentiel et ne doit pas être reproduit ou utilisé sans le consentement de EXM



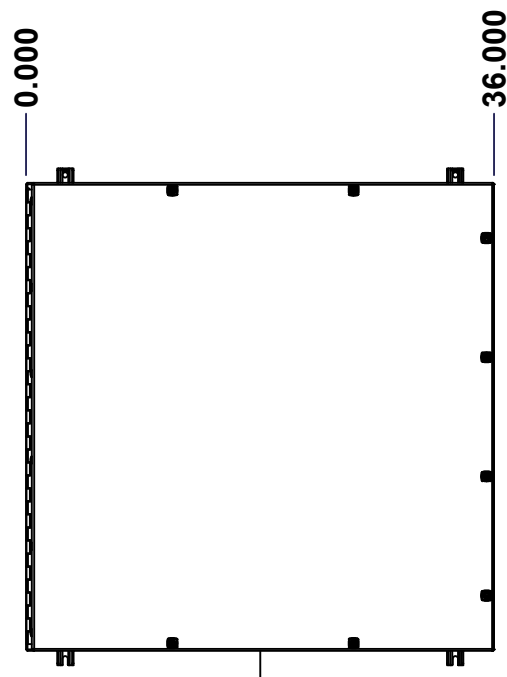
TOP



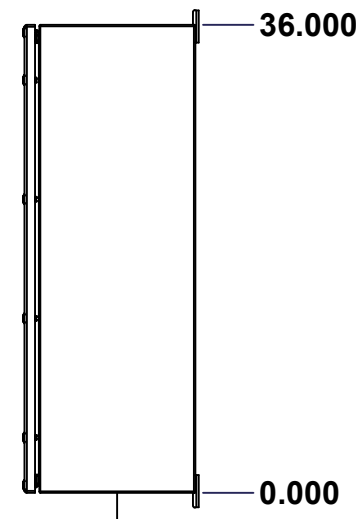
BACK



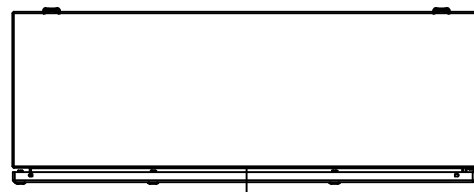
LEFT



FRONT

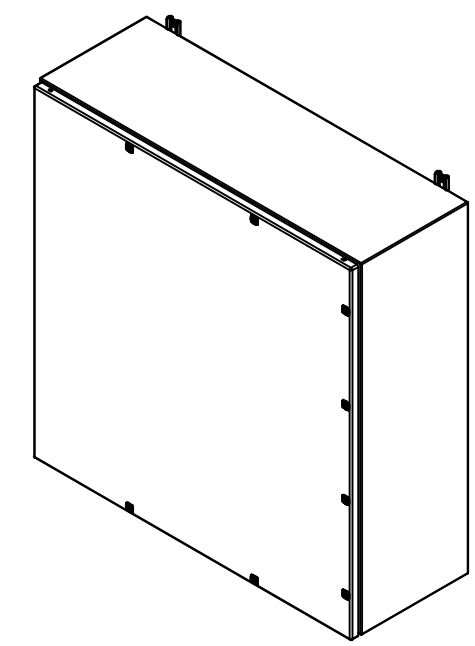


RIGHT

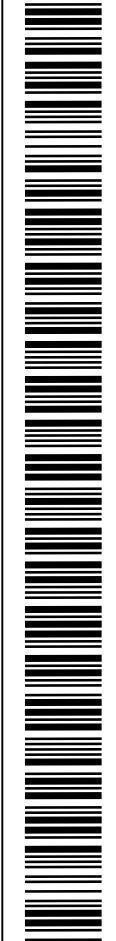


BOTTOM

No.	Revisions	Date	By/Par



Isometric View



Tél: (450) 979-4373
 Fax: (450) 979-4626
www.exmweb.com

Flatness
 Aplatissement
 Max 3.0mm
 Projection

Customer Client
 Drawn By Dessiné Par BoxCad: BoxCad
 Date 07-Feb-25

Material Matière 14 Ga Cold Rolled A1008 CS Type B (1.7mm)

Color Couleur Asa-61 Grey
 Finish Fini Smooth

Description 5412ESEL 36" x 36" x 12" Assembly
 Detail Rev.

Part Number Numéro Pièce 5412ESEL363612TH
 Rev. 0
 1
 16

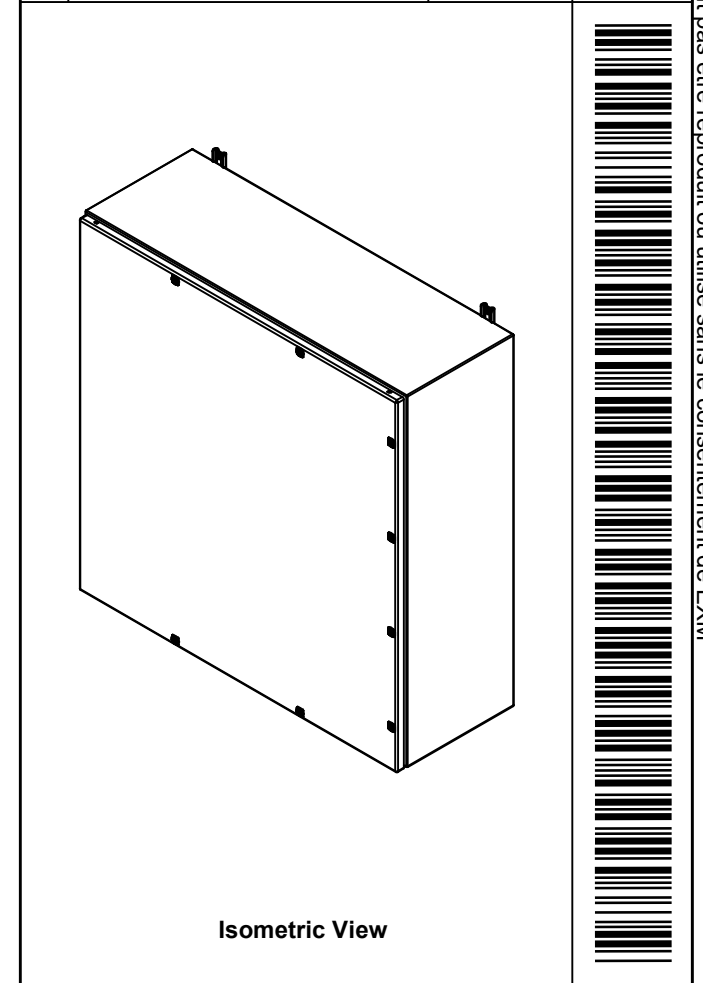
SEE BILL OF MATERIAL ON LAST PAGE


This drawing is confidential and must not be reproduced or used without the consent of EXM

Ce dessin est confidentiel et ne doit pas être reproduit ou utilisé sans le consentement de EXM

NOTE	
ITEM	DESCRIPTION
1	NEMA 4, 12 Enclosure (IP66)
2	C/W Standard ground studs on box and cover
3	C/W Standard door stiffener
4	C/W Standard inner panel (Included)
5	C/W Standard inner panel mounting studs
6	C/W 885 ESMF3_OPEN Sold separately (Installed)
7	C/W 885 ESMF3_CLOSE Sold separately (Installed)
8	C/W R5 Insulation (Installed aluminum visible)

No.	Revisions	Date	By/Par

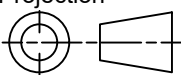




Tél: (450) 979-4373
Fax: (450) 979-4626
www.exmweb.com

Flatness
Aplatissement
Max 3.0mm

Projection



Customer Client	Date
Drawn By / Dessiné Par: BoxCad: BoxCad	Date: 07-Feb-25
Material / Matière: 14 Ga Cold Rolled A1008 CS Type B (1.7mm)	

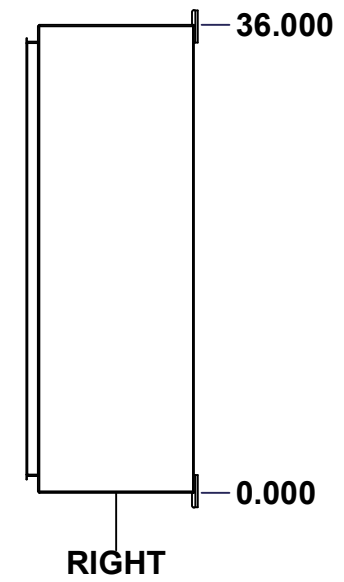
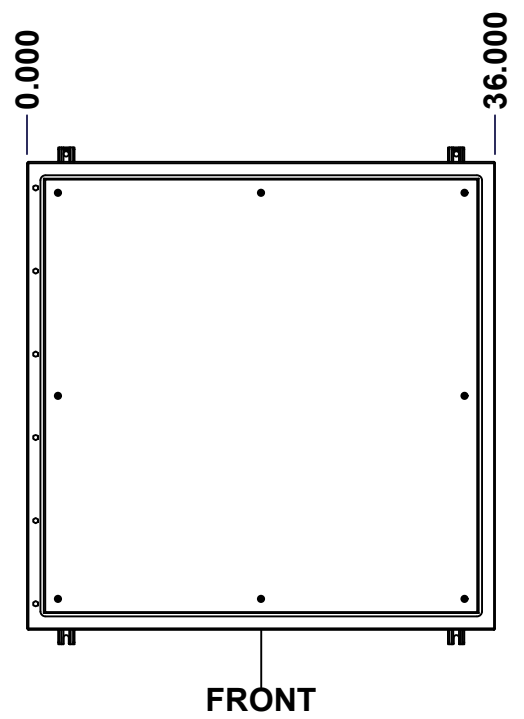
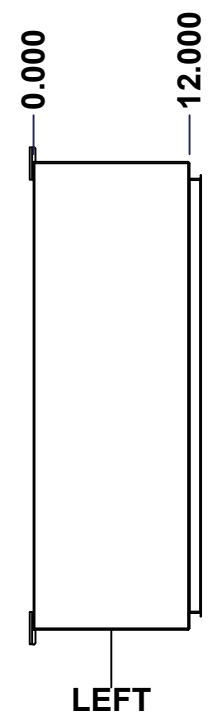
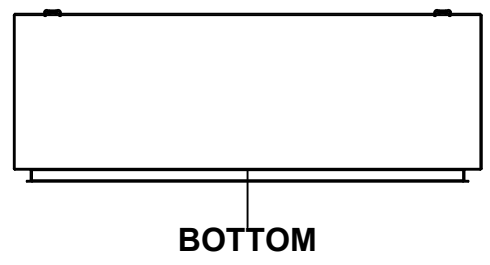
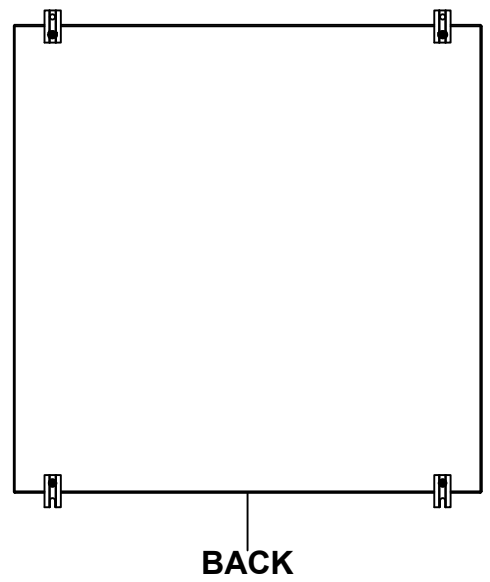
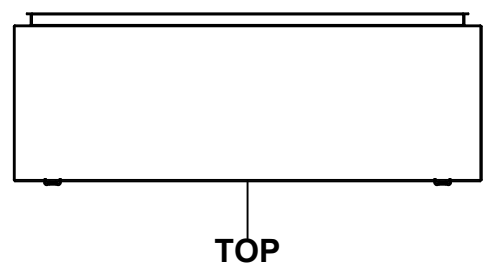
PACKING		
ITEM	QTY	DESCRIPTION
Cardboard sleeve	2	Top and Bottom
Cardboard strip	2	Between back of enclosure and inner panel
Plastic bag	1	To protect cover surface and inside gasket
Plastic strap - Black	2	To Squeeze the 2 cardboard sleeve together
Packaging label	1	White label with product number

8	STK-Q-00600	2	M12 to M8 Adaptor
1	885SP3636G	0	885SP 36" x 36" Inner Panel Part
1	STK-K-01800	5	5412 ES Accessory Kit
6	RIVET_NUT_M6_FH_CE	0	Rivet Nut M6 (Low Profile Close End)
1	5412ESEL363612THC	0	5412ESEL 36" x 36" Cover
1	5412ESEL363612THB	0	5412ESEL 36" x 36" x 12" Body
6	STK-Q-04050-14	5	M6 x 14mm Hexagon Socket Head Machine Screw with Nyseal
Qty	Part Number	Rev	Description
Parts List			

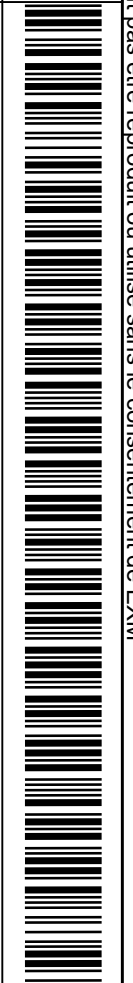
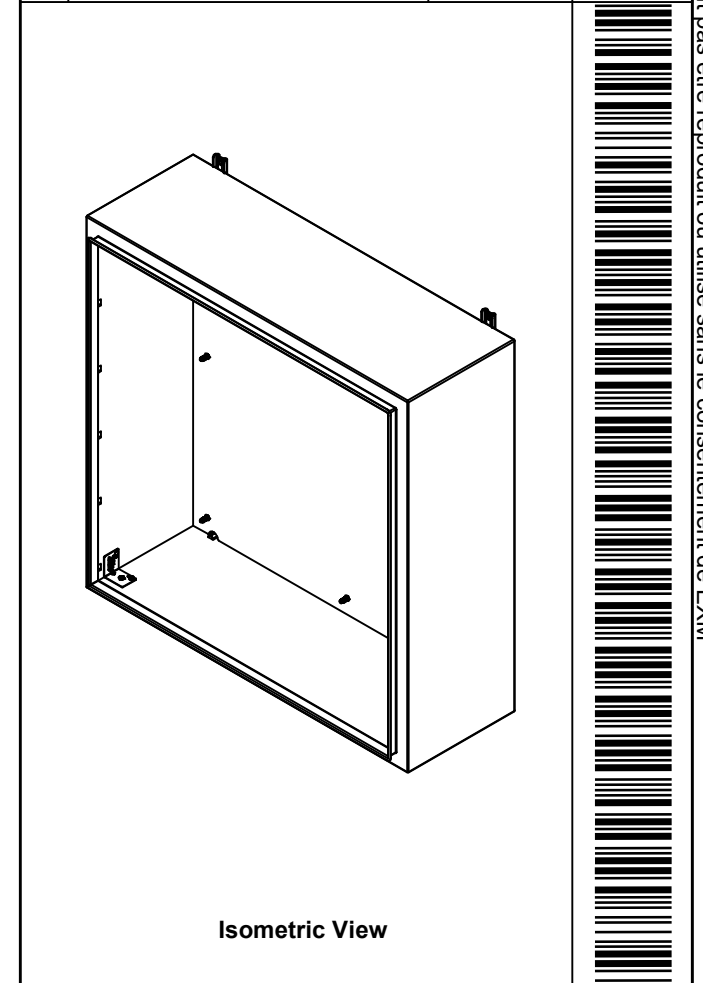
Color / Couleur: Asa-61 Grey	Finish / Fini: Smooth
Description: 5412ESEL 36" x 36" x 12" Assembly	
Part Number / Numéro Pièce: 5412ESEL363612TH	Rev. 0
2 / 16	


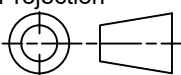
This drawing is confidential and must not be reproduced or used without the consent of EXM

Ce dessin est confidentiel et ne doit pas être reproduit ou utilisé sans le consentement de EXM



No.	Revisions	Date	By/Par



 Tél: (450) 979-4373 Fax: (450) 979-4626 www.exmweb.com		Flatness Aplatissement Max 3.0mm Projection 
Customer Client	Date	
Drawn By Dessiné Par	BoxCad: BoxCad	Date 07-Feb-25
Material Matière	14 Ga Cold Rolled A1008 CS Type B (1.7mm)	
Color Couleur	Asa-61 Grey	Finish Fini Smooth
Description	Detail Rev.	
5412ESEL 36" x 36" x 12" Body		
Part Number Numéro Pièce	Rev. 0	3 / 16

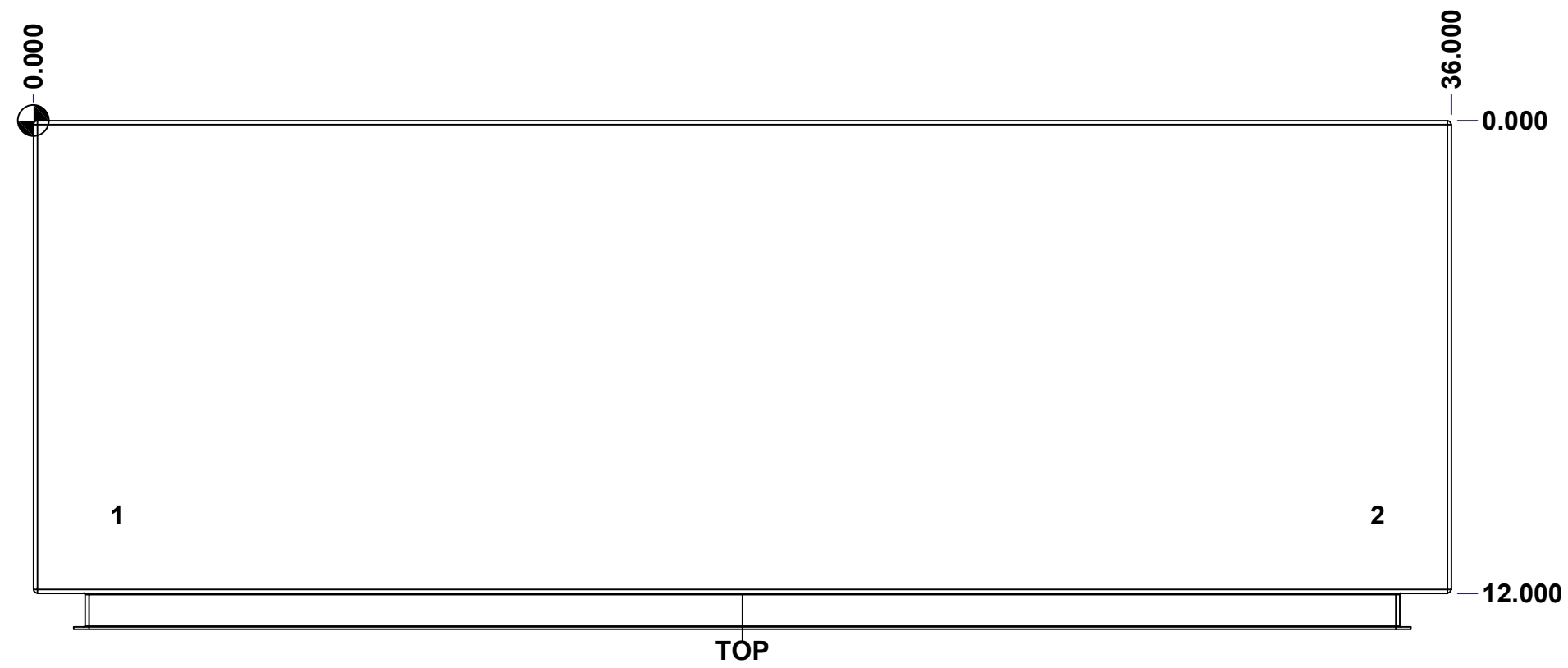
SEE BILL OF MATERIAL ON LAST PAGE

5412ESEL363612THB

This drawing is confidential and must not be reproduced or used without the consent of EXM

Ce dessin est confidentiel et ne doit pas être reproduit ou utilisé sans le consentement de EXM

STANDARD FEATURES ARE NOT LISTED IN THIS HOLE TABLE			
HOLE TABLE - TOP VIEW (CUSTOM FEATURE ONLY)			
CUT-OUT	XDIM	YDIM	DESCRIPTION
1	2.000	10.000	INSUL. STUD M6 x 18mm (Inside)
2	34.000	10.000	INSUL. STUD M6 x 18mm (Inside)

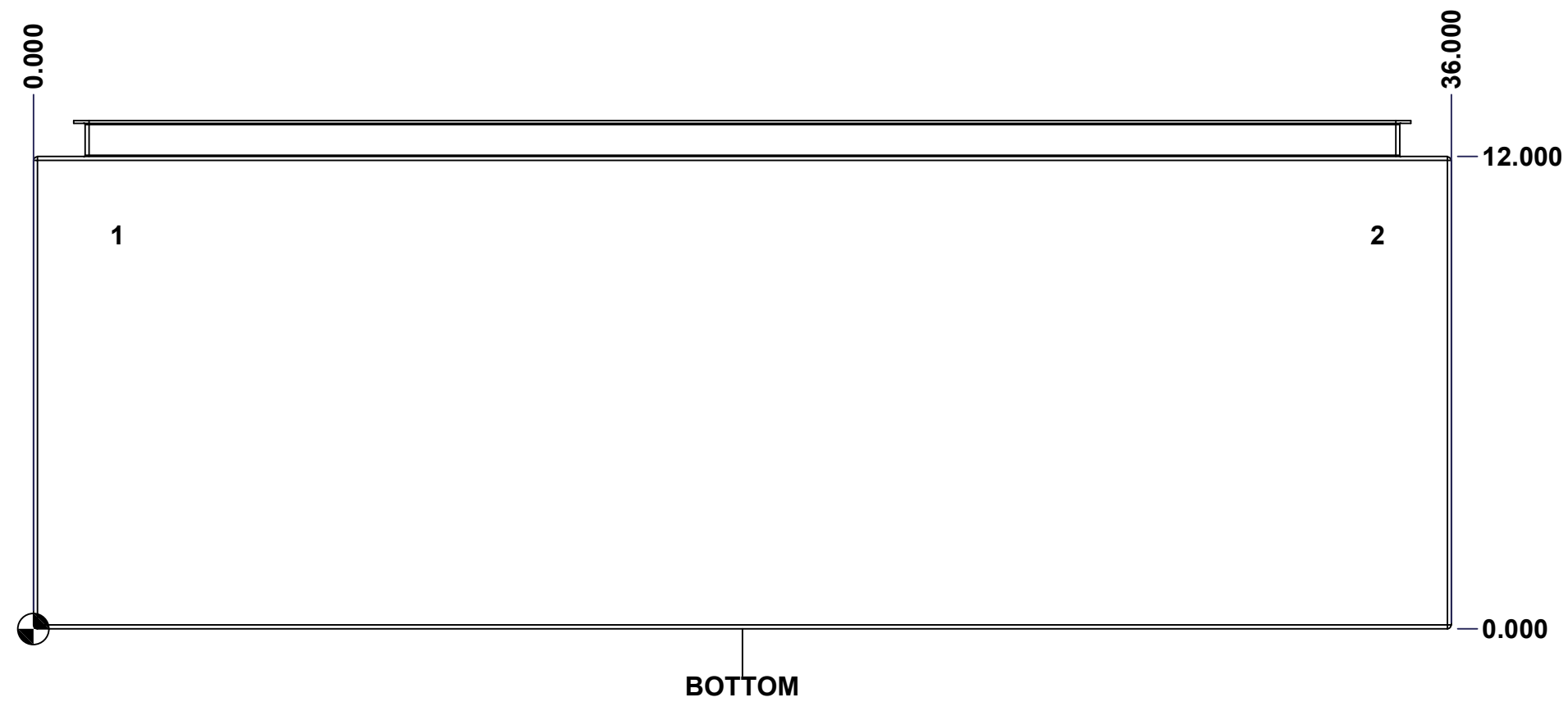


	Description	Status
	5412ESEL 36" x 36" x 12" Body	(NULL)
	Part Number Numéro Pièce	Rev.
	5412ESEL363612THB	0 / 4
		16

This drawing is confidential and must not be reproduced or used without the consent of EXM

Ce dessin est confidentiel et ne doit pas être reproduit ou utilisé sans le consentement de EXM

STANDARD FEATURES ARE NOT LISTED IN THIS HOLE TABLE			
HOLE TABLE - BOTTOM VIEW (CUSTOM FEATURE ONLY)			
CUT-OUT	XDIM	YDIM	DESCRIPTION
1	2.000	10.000	INSUL. STUD M6 x 18mm (Inside)
2	34.000	10.000	INSUL. STUD M6 x 18mm (Inside)



	Description	Status
	5412ESEL 36" x 36" x 12" Body	(NULL)
	Part Number Numéro Pièce	Rev.
	5412ESEL363612THB	0 / 5
		16

This drawing is confidential and must not be reproduced or used without the consent of EXM

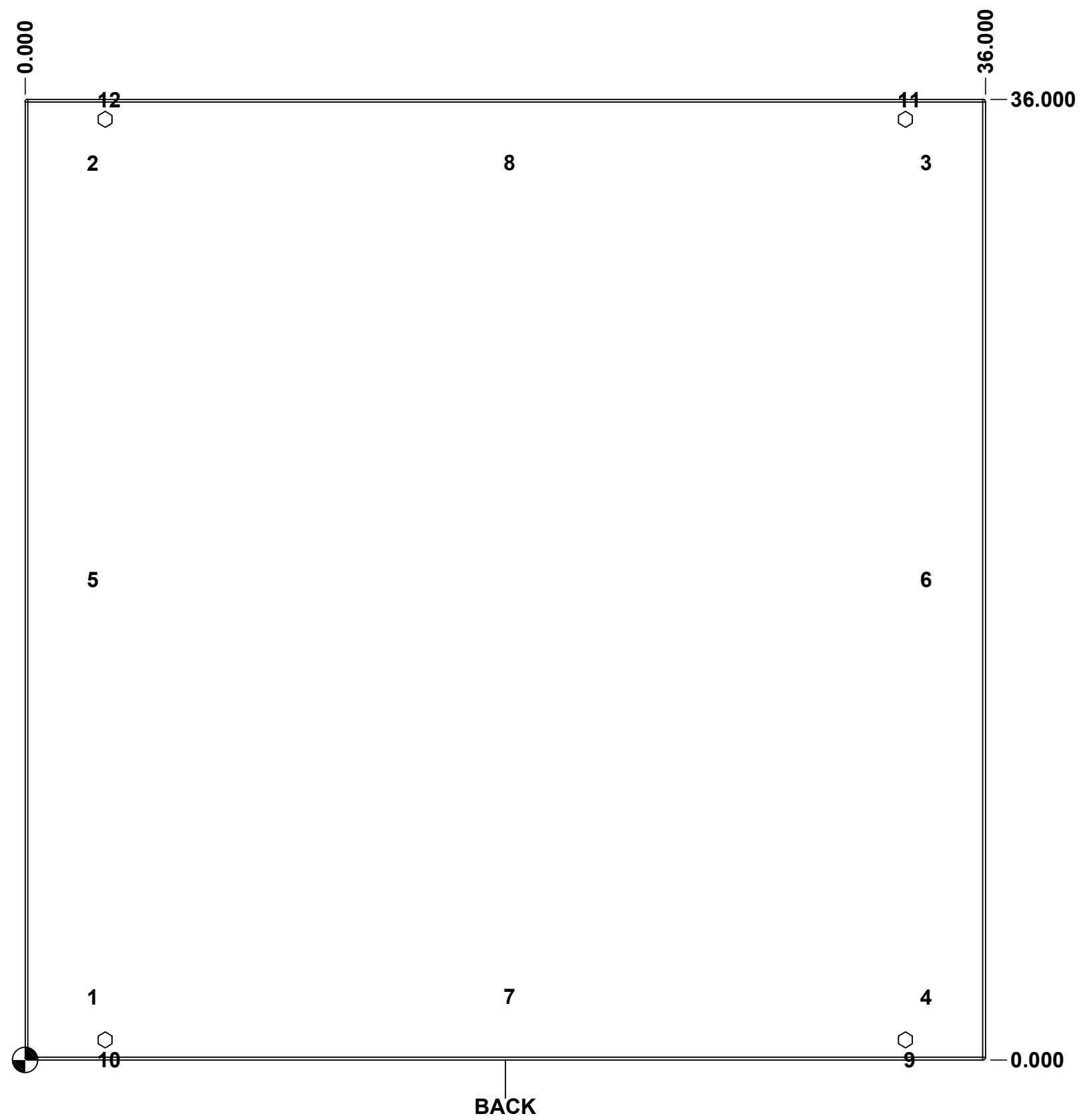
Ce dessin est confidentiel et ne doit pas être reproduit ou utilisé sans le consentement de EXM

STANDARD FEATURES ARE NOT LISTED IN THIS HOLE TABLE

HOLE TABLE - BACK VIEW (CUSTOM FEATURE ONLY)

CUT-OUT	XDIM	YDIM	DESCRIPTION
1	2.375	2.375	IP STUD M8 x 35mm (Inside)
2	2.375	33.625	IP STUD M8 x 35mm (Inside)
3	33.625	33.625	IP STUD M8 x 35mm (Inside)
4	33.625	2.375	IP STUD M8 x 35mm (Inside)
5	2.375	18.000	IP STUD M8 x 35mm (Inside)
6	33.625	18.000	IP STUD M8 x 35mm (Inside)
7	18.000	2.375	IP STUD M8 x 35mm (Inside)
8	18.000	33.625	IP STUD M8 x 35mm (Inside)

9	33.000	0.000	FOOT 885 ESMF3_OPEN
10	3.000	0.000	FOOT 885 ESMF3_OPEN
11	33.000	36.000	FOOT 885 ESMF3_CLOSE
12	3.000	36.000	FOOT 885 ESMF3_CLOSE

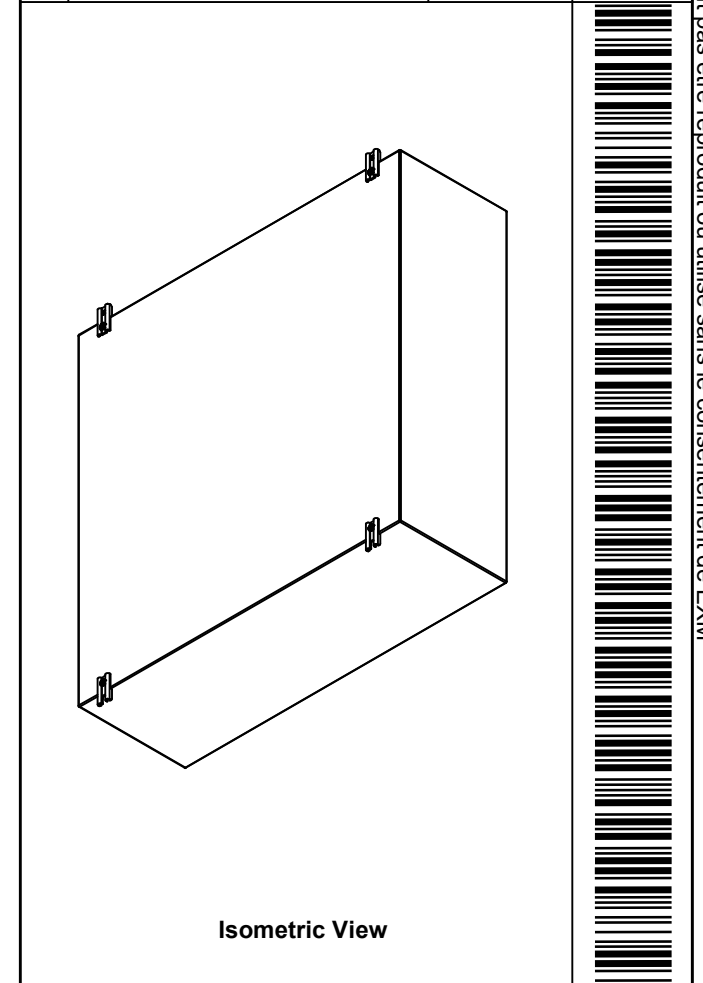


	Description	Status
	5412ESEL 36" x 36" x 12" Body	(NULL)
	Part Number Numéro Pièce	Rev.
	5412ESEL363612THB	0 / 6
		16


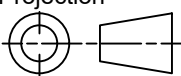
This drawing is confidential and must not be reproduced or used without the consent of EXM

Ce dessin est confidentiel et ne doit pas être reproduit ou utilisé sans le consentement de EXM

No.	Revisions	Date	By/Par

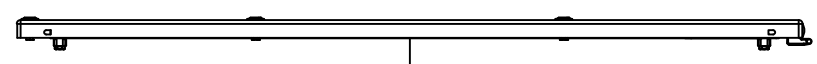


1	885 ESMF3	0	885 ESMF3 Mounting Foot Kit
4	RIVET_NUT_M10_FH_CE	0	Rivet Nut M10 (Low Profile Close End)
1	STK-K-70554	3	5412 ESTH Accessory Kit
1	5412ESEL363612THI-RS	0	5412ESEL 36" x 36" Right Insulation
1	5412ESEL363612THI-LS	0	5412ESEL 36" x 36" Left Insulation
1	5412ESEL363612THI-BT	0	5412ESEL 36" x 36"Bottom Insulation
1	5412ESEL363612THI-TP	0	5412ESEL 36" x 36"Top Insulation
1	5412ESEL363612THI-B	0	5412ESEL 36" x 36" Back Insulation
4	STK-Q-16055	1	M6 x 18mm Stud (No Paint Cap Required)
1	STK-P-02400S	0	Powder Paint (Asa-61 Grey / Smooth)
8	STK-Q-16005	0	Stud M8 x 35mm Steel
1	5412ESEL363612THB-P	0	5412ESEL 36" x 36" x 12" Body Part
Qty	Part Number	Rev	Description
Parts List			

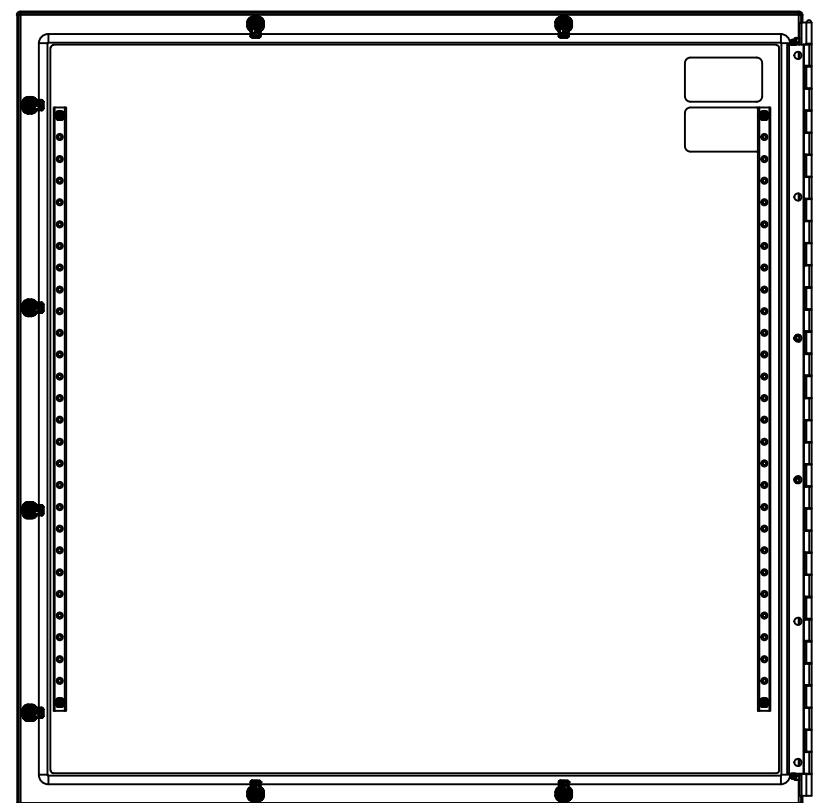
 Tél: (450) 979-4373 Fax: (450) 979-4626 www.exmweb.com		Flatness Aplatissement Max 3.0mm
Projection 		Customer Client
Drawn By Dessiné Par BoxCad: BoxCad		Date 07-Feb-25
Material Matière 14 Ga Cold Rolled A1008 CS Type B (1.7mm)		
Color Couleur Asa-61 Grey	Finish Fini Smooth	
Description 5412ESEL 36" x 36" x 12" Body		Detail Rev.
Part Number Numéro Pièce 5412ESEL363612THB		Rev. 7 0
		16

This drawing is confidential and must not be reproduced or used without the consent of EXM

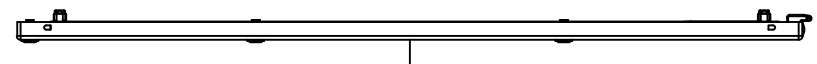
Ce dessin est confidentiel et ne doit pas être reproduit ou utilisé sans le consentement de EXM



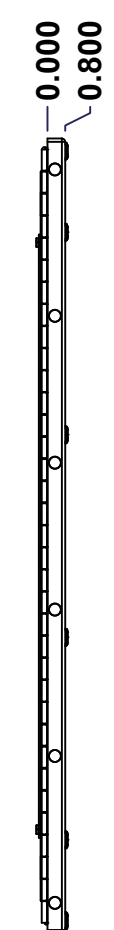
TOP



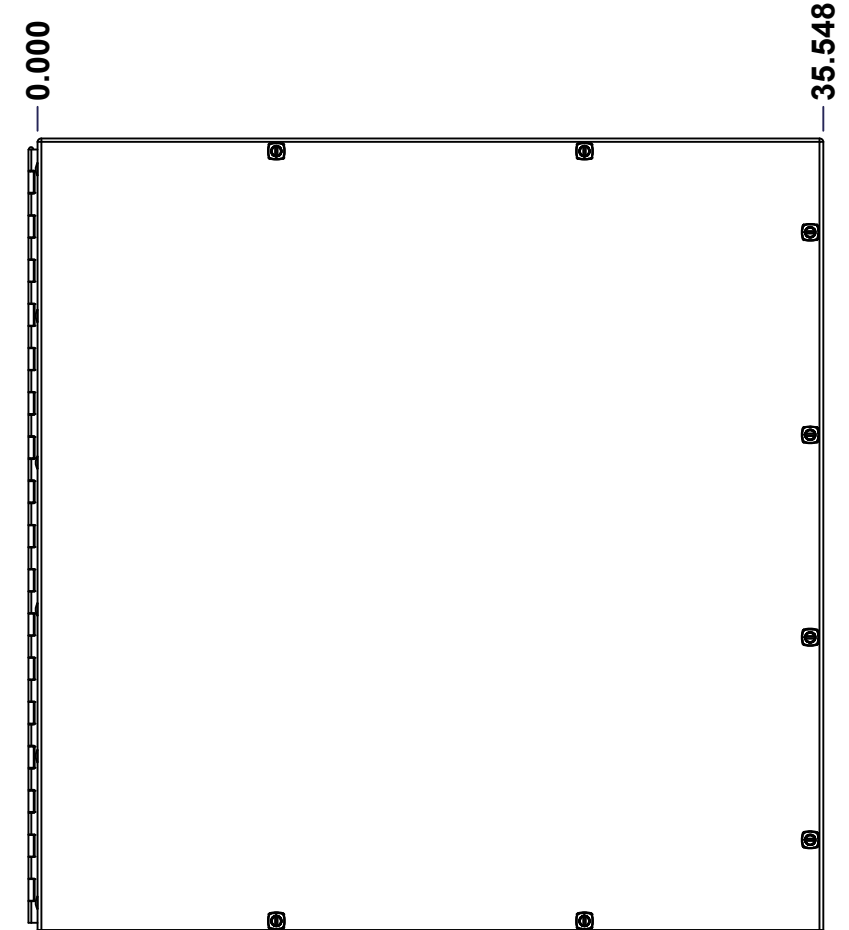
BACK



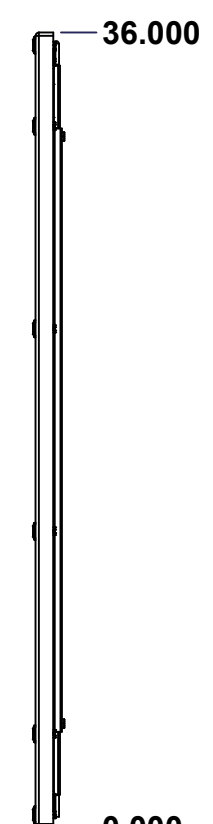
BOTTOM



LEFT

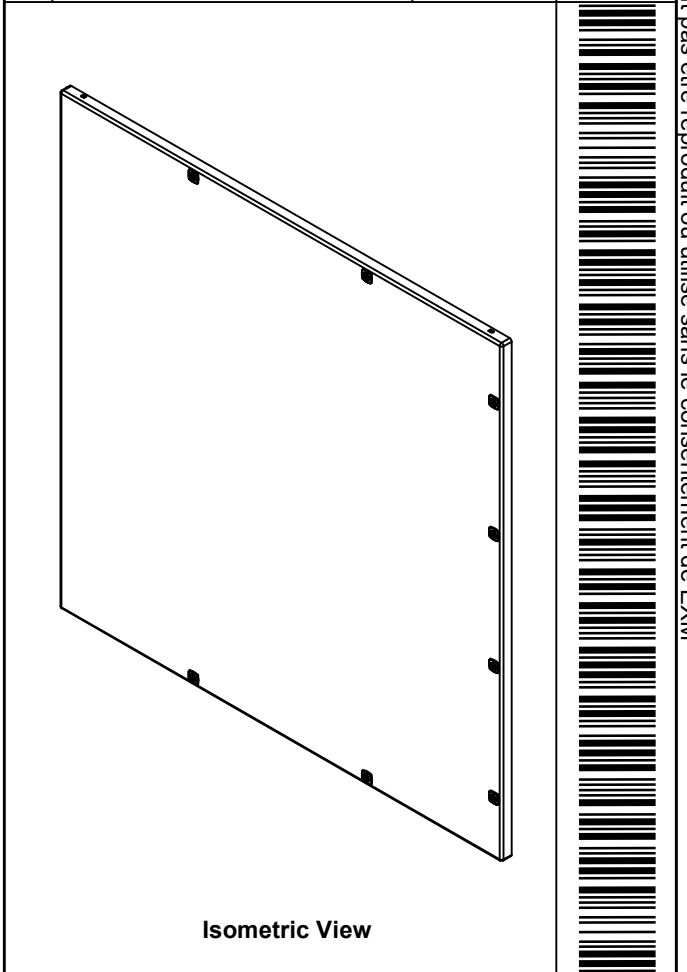


FRONT




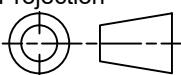
RIGHT

No.	Revisions	Date	By/Par



Isometric View



 Tél: (450) 979-4373 Fax: (450) 979-4626 www.exmweb.com		Flatness Aplatissement Max 3.0mm Projection 
Customer Client	Date	
Drawn By Dessiné Par	BoxCad: BoxCad	Date 07-Feb-25
Material Matière	14 Ga Cold Rolled A1008 CS Type B (1.7mm)	
Color Couleur	Asa-61 Grey	Finish Fini Smooth
Description 5412ESEL 36" x 36" Cover		Detail Rev.
Part Number Numéro Pièce	Rev. 0	8 / 16

SEE BILL OF MATERIAL ON LAST PAGE

5412ESEL363612THC

This drawing is confidential and must not be reproduced or used without the consent of EXM

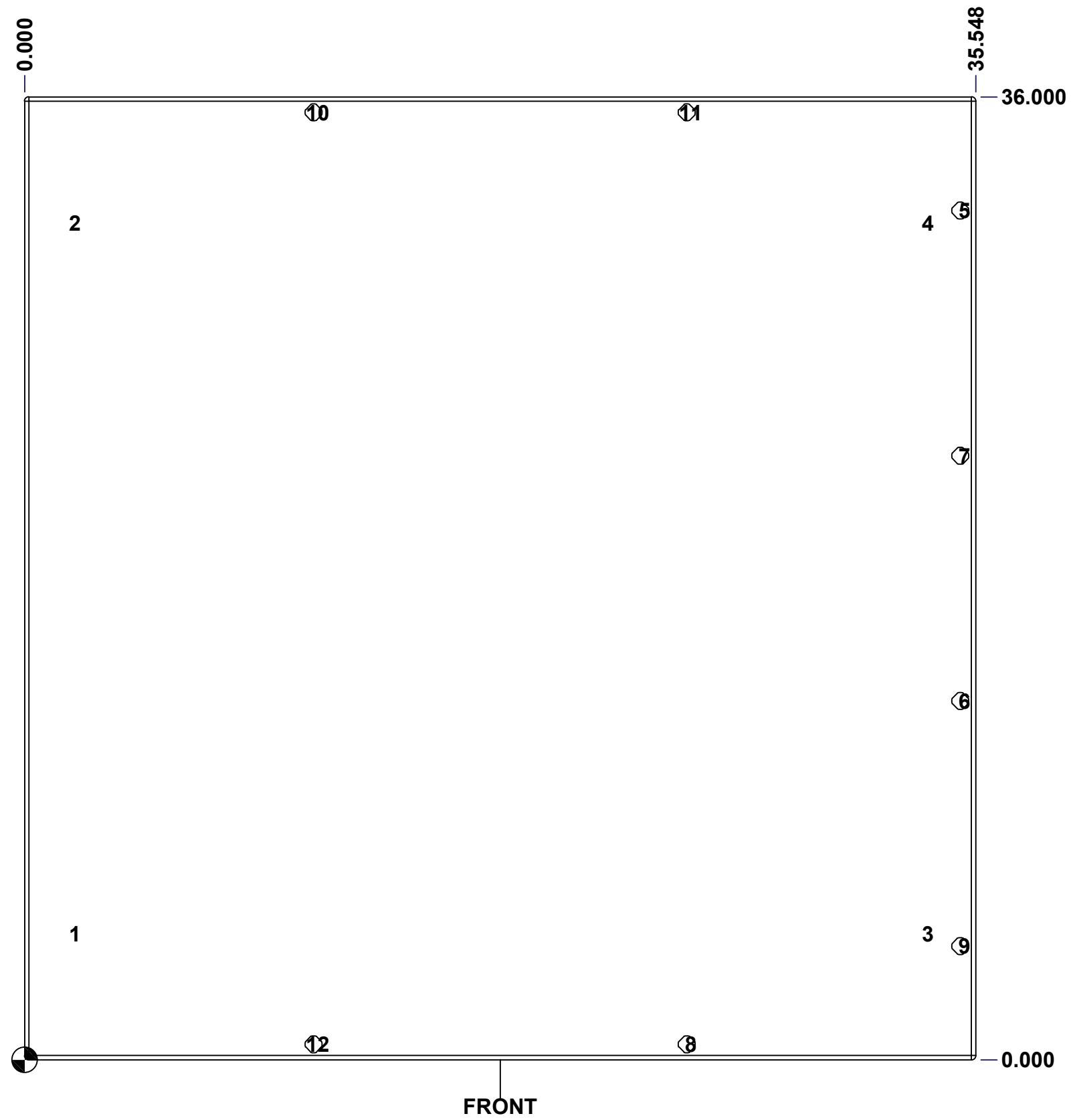
Ce dessin est confidentiel et ne doit pas être reproduit ou utilisé sans le consentement de EXM

STANDARD FEATURES ARE NOT LISTED IN THIS HOLE TABLE

HOLE TABLE - FRONT VIEW (CUSTOM FEATURE ONLY)

CUT-OUT	XDIM	YDIM	DESCRIPTION
1	1.729	4.713	STUD M6 x 18mm (Inside)
2	1.729	31.287	STUD M6 x 18mm (Inside)
3	33.609	4.713	STUD M6 x 18mm (Inside)
4	33.609	31.287	STUD M6 x 18mm (Inside)

5	34.968	31.750	LOCK 880 SCQ5-SL @ 180.0°
6	34.968	13.417	LOCK 880 SCQ5-SL @ 180.0°
7	34.968	22.583	LOCK 880 SCQ5-SL @ 180.0°
8	24.748	0.580	LOCK 880 SCQ5-SL @ 90.0°
9	34.968	4.250	LOCK 880 SCQ5-SL @ 180.0°
10	10.800	35.420	LOCK 880 SCQ5-SL @ 270.0°
11	24.748	35.420	LOCK 880 SCQ5-SL @ 270.0°
12	10.800	0.580	LOCK 880 SCQ5-SL @ 90.0°



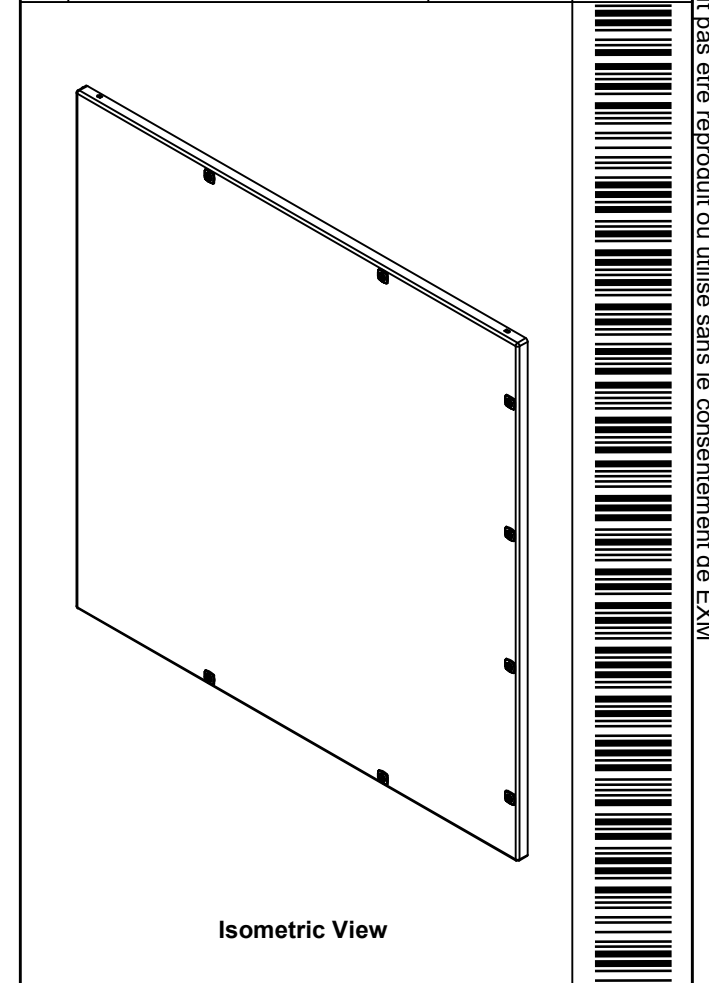
FRONT

	Description	Status
	5412ESEL 36" x 36" Cover	(NULL)
	Part Number Numéro Pièce	Rev.
	5412ESEL363612THC	0 / 9
		16


This drawing is confidential and must not be reproduced or used without the consent of EXM

Ce dessin est confidentiel et ne doit pas être reproduit ou utilisé sans le consentement de EXM

No.	Revisions	Date	By/Par

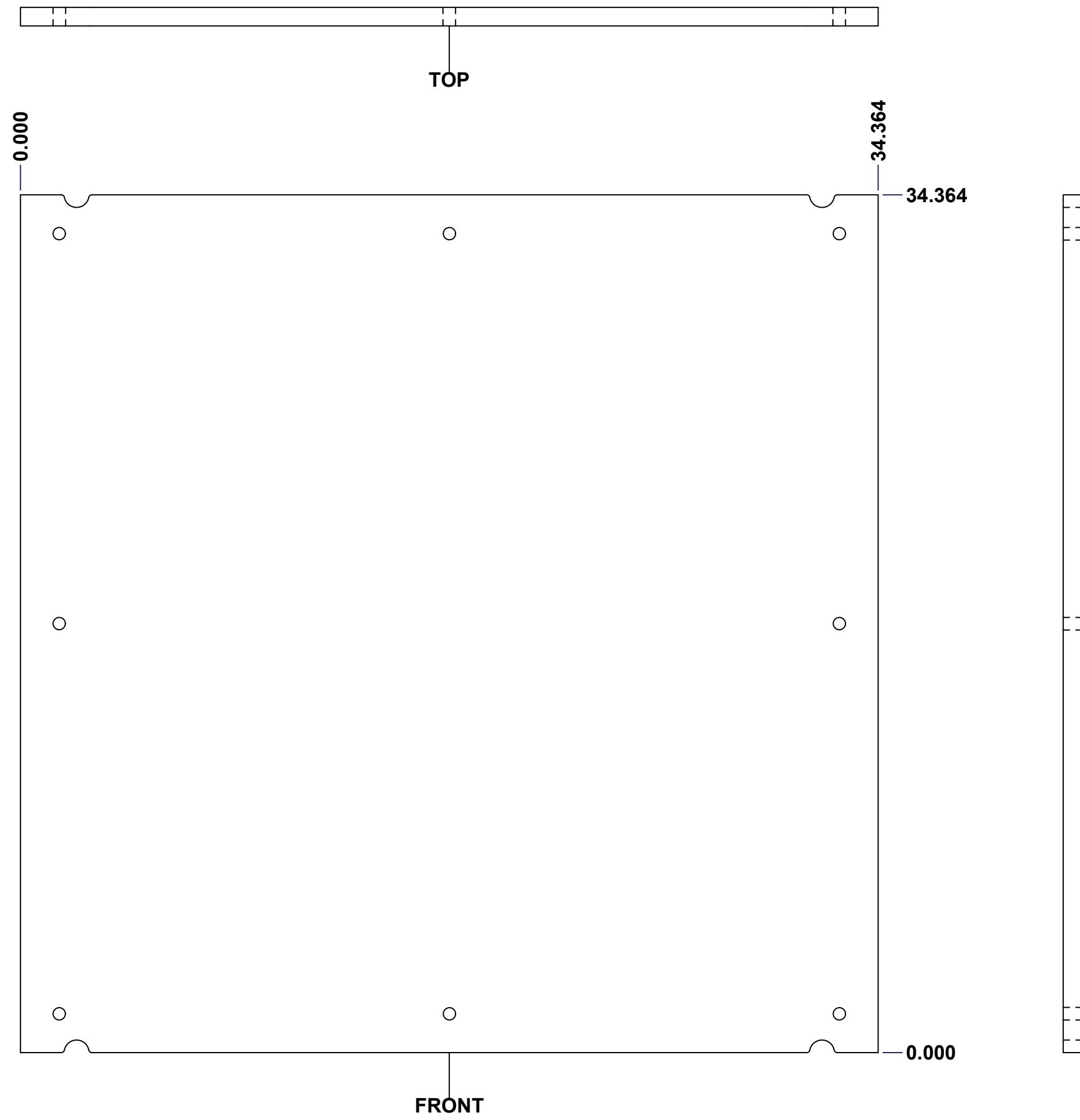


2	STK-S-00100	0	3.5" x 2" Silver Milar Flexcon Sticker
4	STK-Q-07250	2	M6 x 16mm Collar Nut
2	STK-Q-46020-30	6	5412 ES Vertical Door Stiffener 30"
1	5412ESEL363612THI-C	0	5412ESEL 36" x 36" Cover Insulation
1	STK-P-02400S	0	Powder Paint (Asa-61 Grey / Smooth)
4	STK-Q-16055	1	M6 x 18mm Stud (No Paint Cap Required)
6	STK-Q-00260	1	M6 x 13mm Carriage Bolt
1	5412ESEL363612THHP-P	0	Piano Hinge Pin (Length= 35.182")
1	5412ESEL363612THH1-P	0	5412ESEL 36" x 36" Piano Hinge Part
1	5412ESEL363612THH2-P	0	5412ESEL 36" x 36" Piano Hinge Part
1	5412ESEL363612THG	0	5412ESEL 36" x 36" Cover Gasket Part
1	5412ESEL363612THC-P	0	5412ESEL 36" x 36" Cover Part
8	880 SCQ5-SL		5412 ESEL 1/4 Turn Lock
6	STK-Q-07225	0	M6 Stainless Steel Nylon Insert Lock Nut
QTY	Part Number	Rev	Description
Parts List			

 Tél: (450) 979-4373 Fax: (450) 979-4626 www.exmweb.com		Flatness Aplatissement
		Max 3.0mm
Customer Client		Date
Drawn By Dessiné Par BoxCad: BoxCad		Date 07-Feb-25
Material Matière 14 Ga Cold Rolled A1008 CS Type B (1.7mm)		
Color Couleur Asa-61 Grey	Finish Fini Smooth	
Description 5412ESEL 36" x 36" Cover		Detail Rev.
Part Number Numéro Pièce 5412ESEL363612THC		Rev. 10 0 16

This drawing is confidential and must not be reproduced or used without the consent of EXM

Ce dessin est confidentiel et ne doit pas être reproduit ou utilisé sans le consentement de EXM



No.	Revisions	Date	By/Par

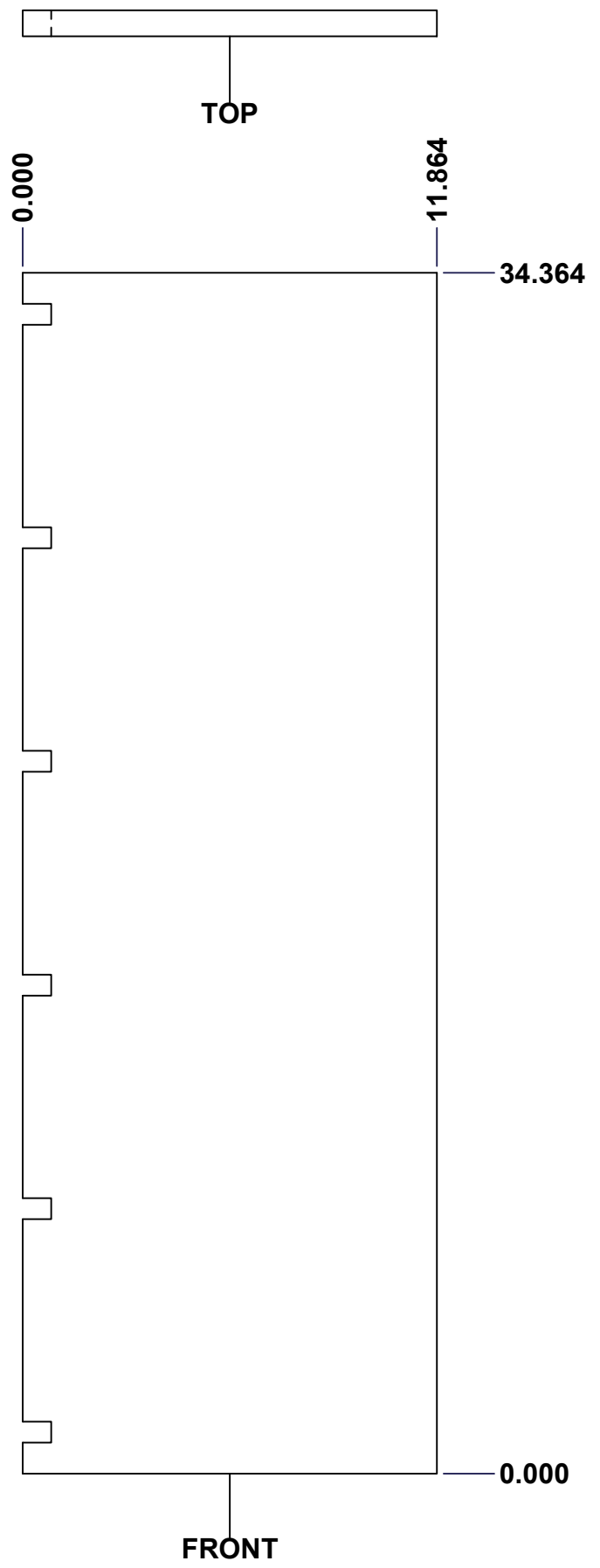
Isometric View

<p>Tél: (450) 979-4373 Fax: (450) 979-4626 www.exmweb.com</p>		Flatness Aplatissement
		Max 3.0mm
Projection		
Customer Client	Date	
Drawn By Dessiné Par	BoxCad: Patrick Deschenes	Date 23-Jan-07
Material Matière	Polyisocyanurate	
Color Couleur	Aluminum	Finish Fini N/A
Description		Detail Rev.
5412ESEL 36" x 36" Back Insulation		
Part Number Numéro Pièce	Rev.	11
5412ESEL363612THI-B	0	16

SEE BILL OF MATERIAL ON LAST PAGE

This drawing is confidential and must not be reproduced or used without the consent of EXM

Ce dessin est confidentiel et ne doit pas être reproduit ou utilisé sans le consentement de EXM



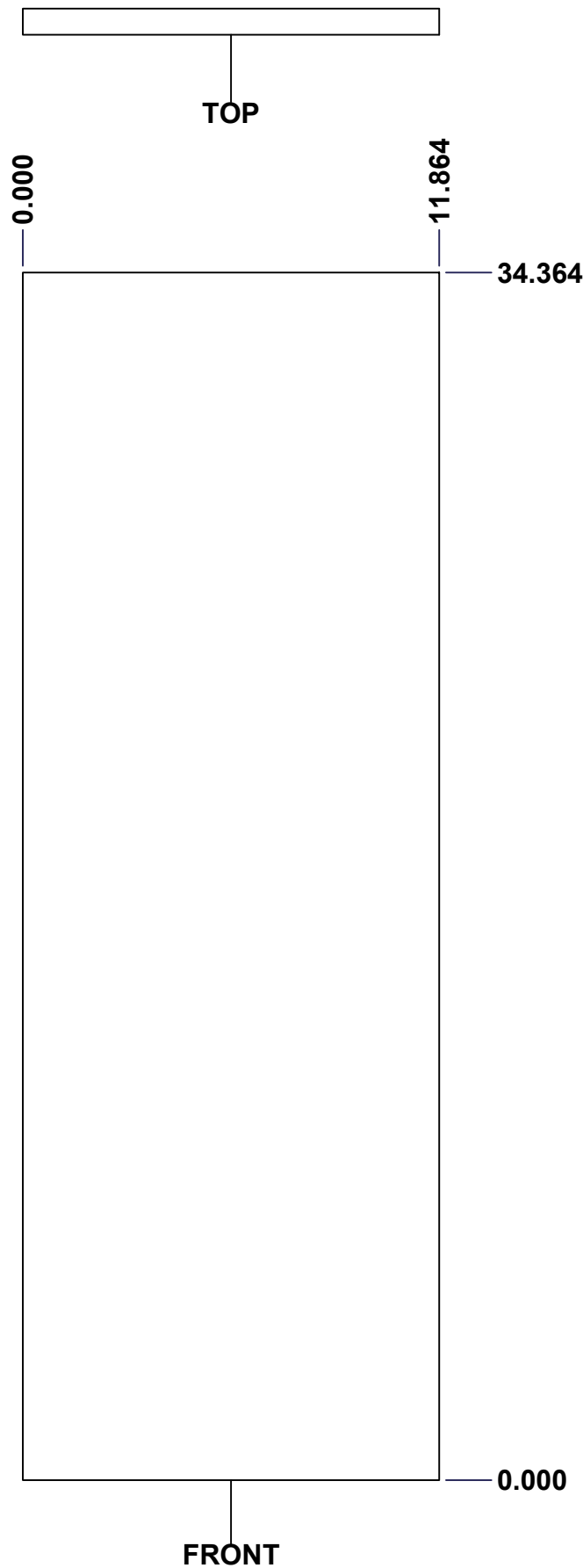
No.	Revisions	Date	By/Par

Isometric View

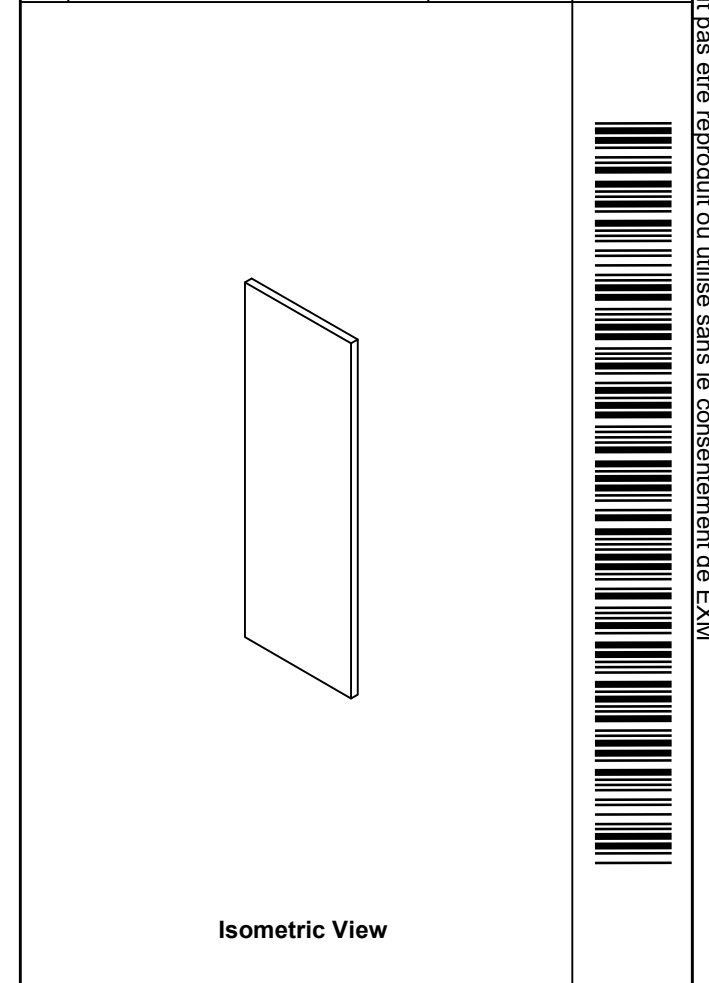
<p>Tél: (450) 979-4373 Fax: (450) 979-4626 www.exmweb.com</p>		Flatness Aplatissement Max 3.0mm
Customer Client		Date
Drawn By / Dessiné Par: BoxCad: Patrick Deschenes		Date: 23-Jan-07
Material / Matière: Polyisocyanurate		
Color / Couleur: Aluminum	Finish / Fini: N/A	
Description: 5412ESEL 36" x 36" Left Insulation		Detail Rev.
Part Number / Numéro Pièce: 5412ESEL363612THI-LS		Rev. 12 / 16
SEE BILL OF MATERIAL ON LAST PAGE		Rev. 0


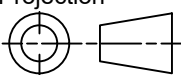
This drawing is confidential and must not be reproduced or used without the consent of EXM

Ce dessin est confidentiel et ne doit pas être reproduit ou utilisé sans le consentement de EXM



No.	Revisions	Date	By/Par

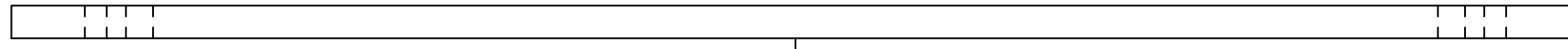


 Tél: (450) 979-4373 Fax: (450) 979-4626 www.exmweb.com		Flatness Aplatissement Max 3.0mm
Projection 		Date 23-Jan-07
Customer Client	Date	
Drawn By Dessiné Par	BoxCad: Patrick Deschenes	Date 23-Jan-07
Material Matière	Polyisocyanurate	
Color Couleur	Aluminum	Finish Fini N/A
Description	Detail Rev.	
5412ESEL 36" x 36" Right Insulation		
Part Number Numéro Pièce	Rev. 0	13 / 16
5412ESEL363612THI-RS		

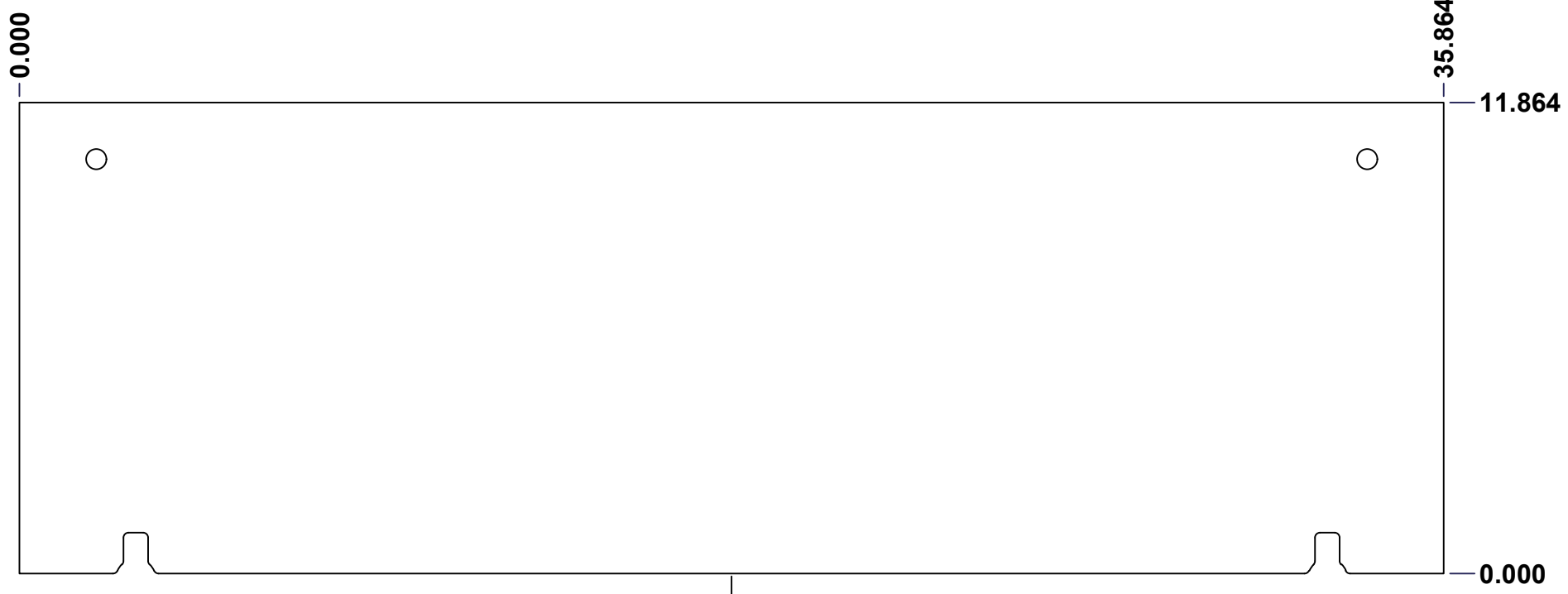
SEE BILL OF MATERIAL ON LAST PAGE

This drawing is confidential and must not be reproduced or used without the consent of EXM

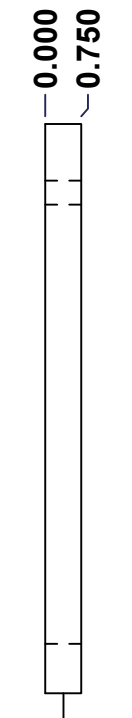
Ce dessin est confidentiel et ne doit pas être reproduit ou utilisé sans le consentement de EXM



TOP

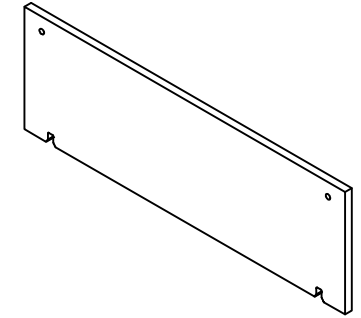


FRONT



RIGHT

No.	Revisions	Date	By/Par



Isometric View



Tél: (450) 979-4373
 Fax: (450) 979-4626
www.exmweb.com

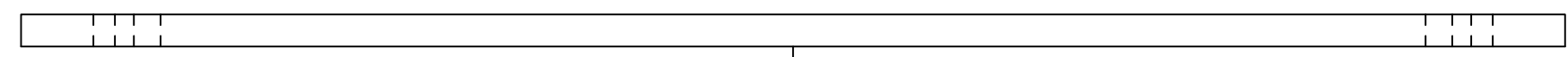
Flatness
Aplatissement
Max 3.0mm
Projection

Customer Client	Date
Drawn By / Dessiné Par: BoxCad: BoxCad	Date: 4/3/2024
Material / Matière: Polyisocyanurate	
Color / Couleur: Aluminum	Finish / Fini: Smooth
Description: 5412ESEL 36" x 36" Top Insulation	Detail Rev.
Part Number / Numéro Pièce: 5412ESEL363612THI-TP	Rev. 0

SEE BILL OF MATERIAL ON LAST PAGE

This drawing is confidential and must not be reproduced or used without the consent of EXM

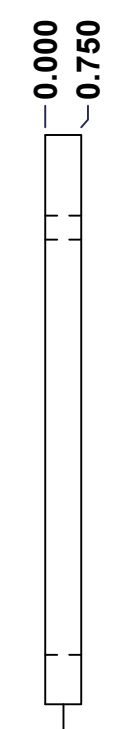
Ce dessin est confidentiel et ne doit pas être reproduit ou utilisé sans le consentement de EXM



TOP

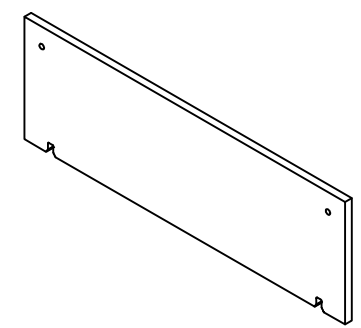
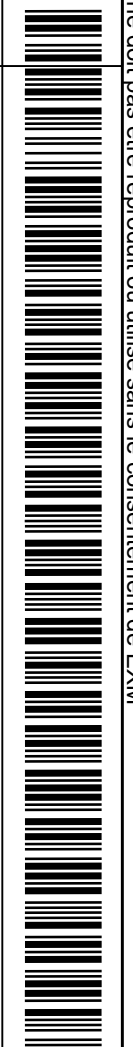


FRONT



RIGHT

No.	Revisions	Date	By/Par



Isometric View



Tél: (450) 979-4373
 Fax: (450) 979-4626
www.exmweb.com

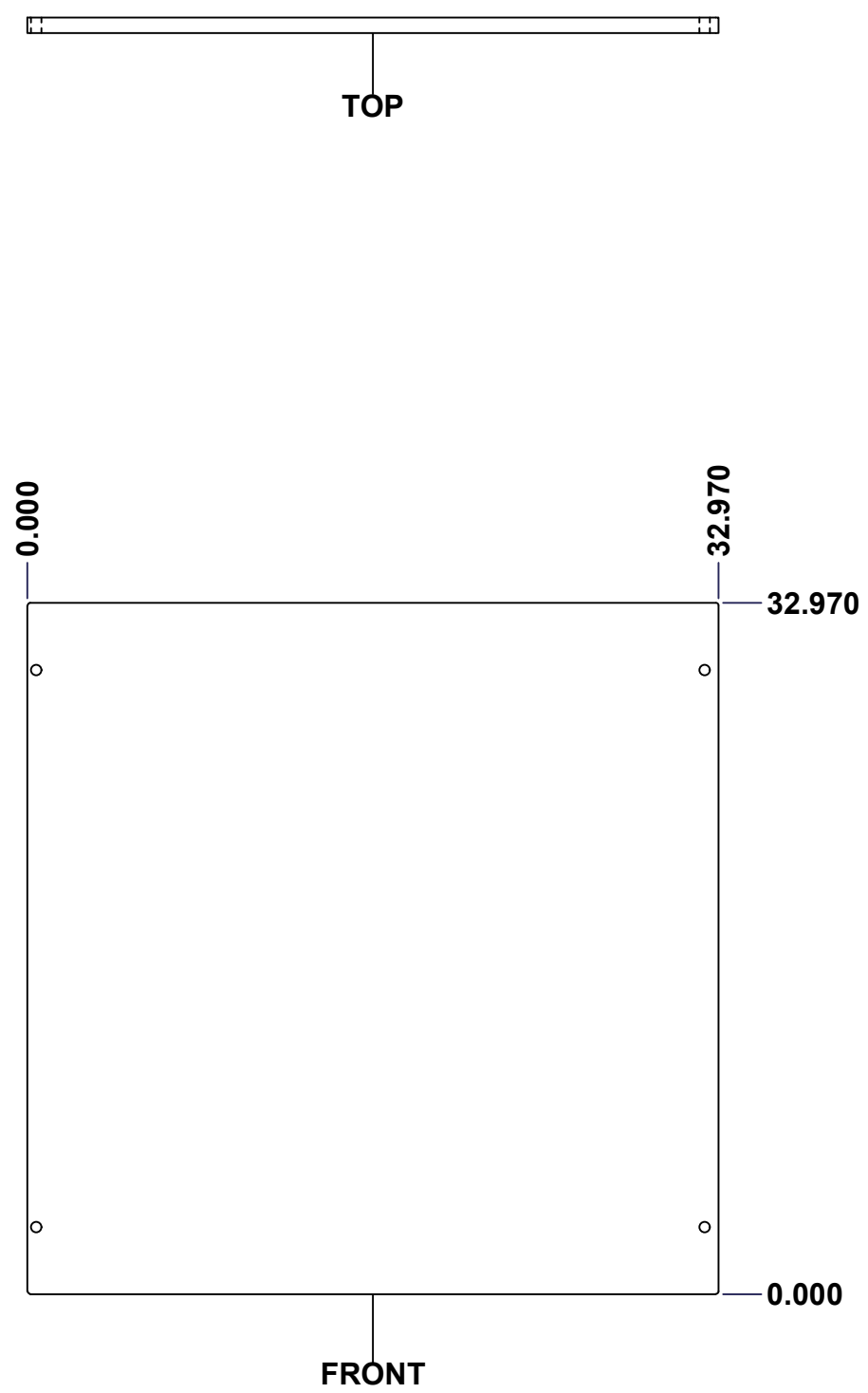
Flatness
Aplatissement
Max 3.0mm
Projection

Customer Client	Date
Drawn By / Dessiné Par: BoxCad: BoxCad	Date: 4/3/2024
Material / Matière: Polyisocyanurate	
Color / Couleur: Aluminum	Finish / Fini: Smooth
Description: 5412ESEL 36" x 36" Bottom Insulation	Detail Rev.
Part Number / Numéro Pièce: 5412ESEL363612THI-BT	Rev. 15
SEE BILL OF MATERIAL ON LAST PAGE	0

SEE BILL OF MATERIAL ON LAST PAGE

This drawing is confidential and must not be reproduced or used without the consent of EXM

Ce dessin est confidentiel et ne doit pas être reproduit ou utilisé sans le consentement de EXM



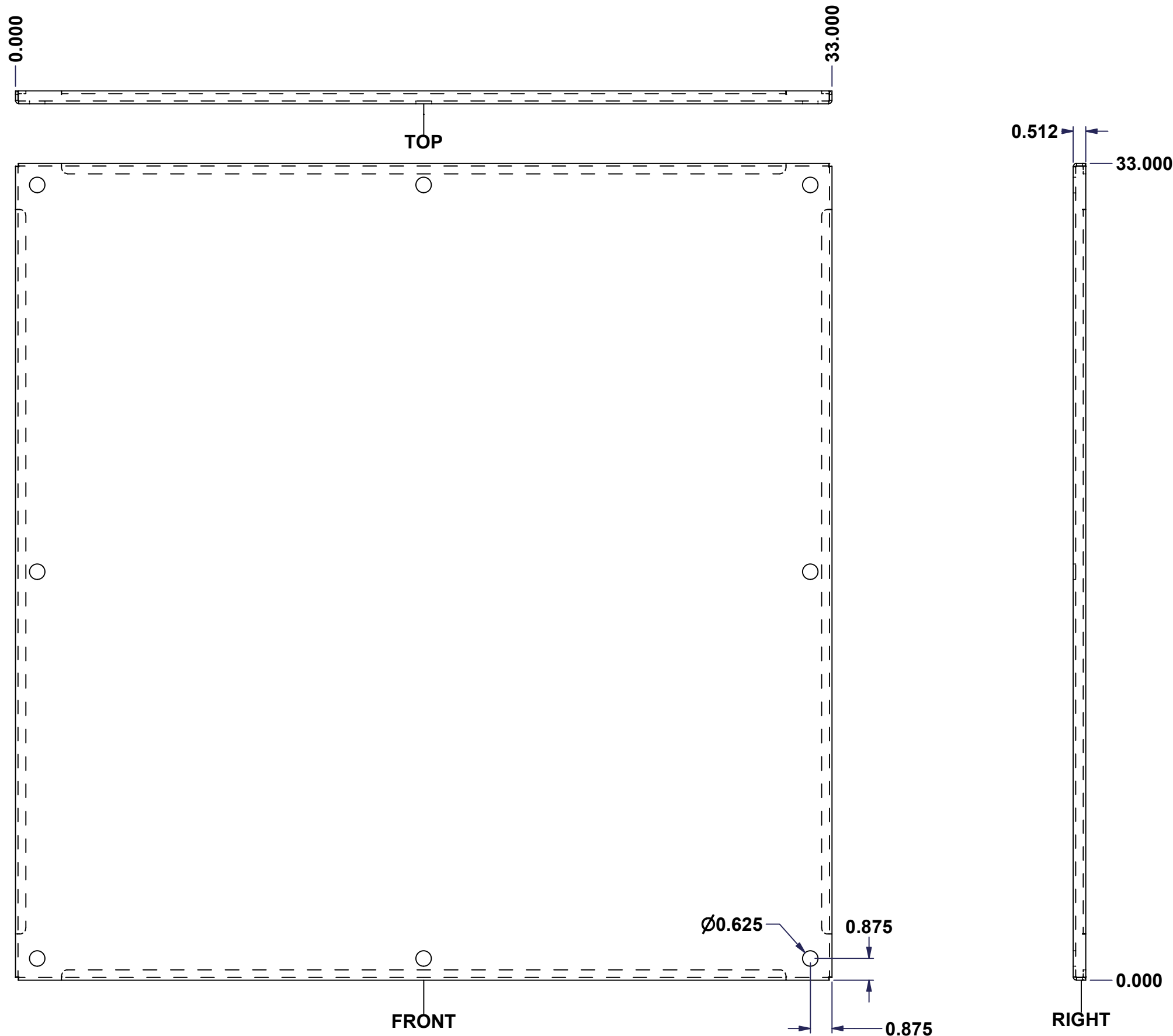
No.	Revisions	Date	By/Par

Isometric View

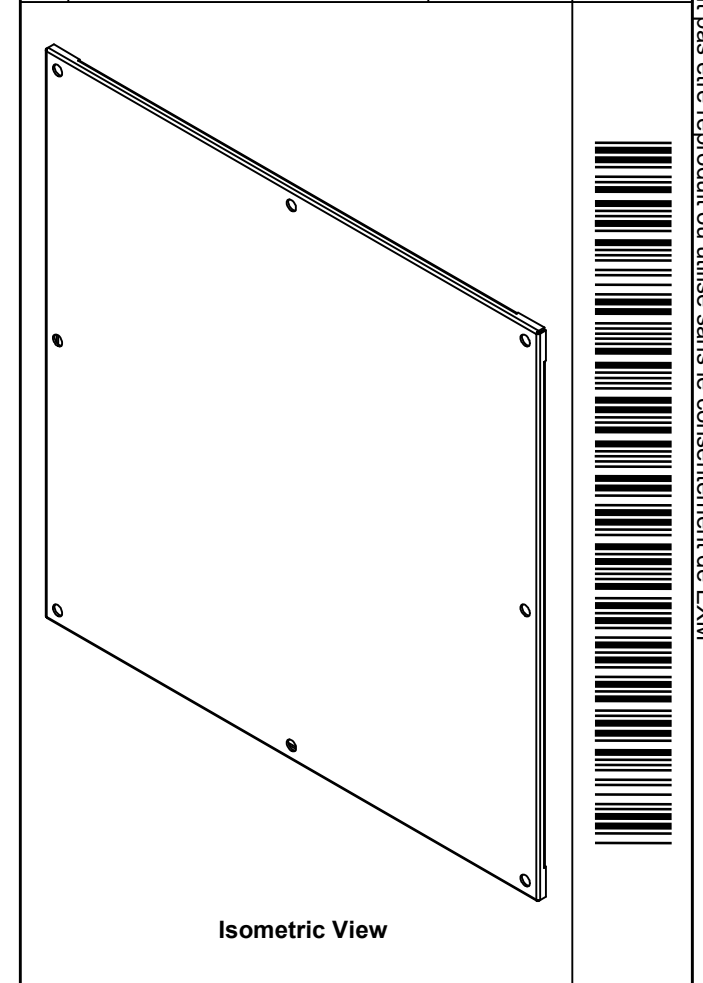
Tél: (450) 979-4373 Fax: (450) 979-4626 www.exmweb.com		Flatness Aplatissement	
		Max 3.0mm	
Projection		Date	
Customer Client	BoxCad: Patrick Deschenes	Date	23-Jan-07
Drawn By Dessiné Par	Material Matière: Polyisocyanurate		
Color Couleur: Aluminum	Finish Fini: N/A	Description 5412ESEL 36" x 36" Cover Insulation	
Part Number Numéro Pièce: 5412ESEL363612THI-C		Detail Rev.	Rev. 16
SEE BILL OF MATERIAL ON LAST PAGE		0	16


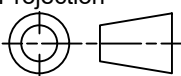
This drawing is confidential and must not be reproduced or used without the consent of EXM

Ce dessin est confidentiel et ne doit pas être reproduit ou utilisé sans le consentement de EXM



No.	Revisions	Date	By/Par



 Tél: (450) 979-4373 Fax: (450) 979-4626 www.exmweb.com		Flatness Aplatissement Max 3.0mm Projection 
Customer Client	Date	
Drawn By / Dessiné Par: BoxCad: nickz	Date: 01/03/2017	
Material / Matière: 12 Ga Galvanized (2.5mm)		
Color / Couleur: See Part List	Finish / Fini: See Part List	
Description: 885SP 36" x 36" Inner Panel Part		Detail Rev.
Part Number / Numéro Pièce: 885SP3636G	Rev.: 0	1/1

Qty	Part Number	Rev	Description	Material	Color	Finish
1	885SP3636G-P	0	885SP 36" x 36" Inner Panel Part	12 Ga Galvanized (2.5mm)	Unpainted	Galvanized

Parts List