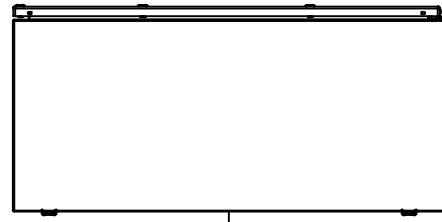
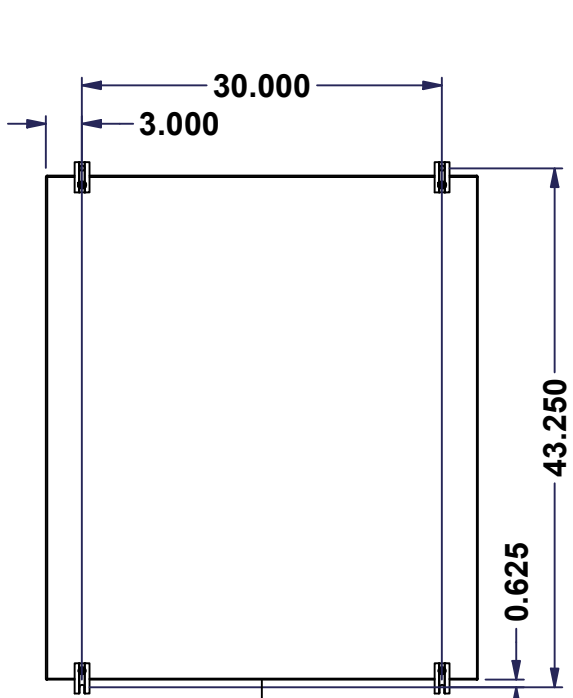


This drawing is confidential and must not be reproduced or used without the consent of EXM

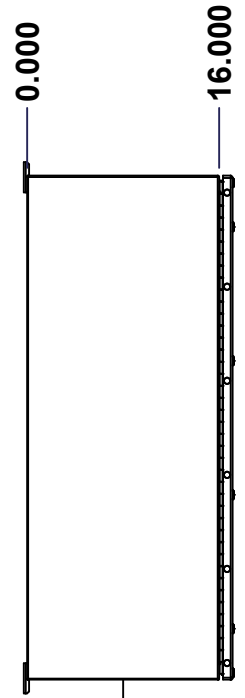
Ce dessin est confidentiel et ne doit pas être reproduit ou utilisé sans le consentement de EXM



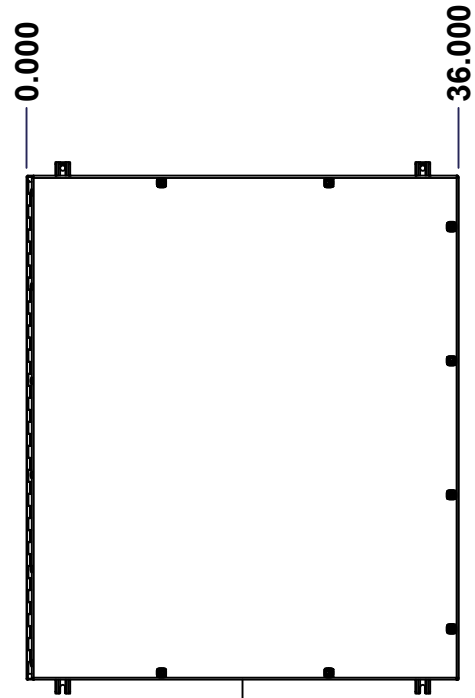
TOP



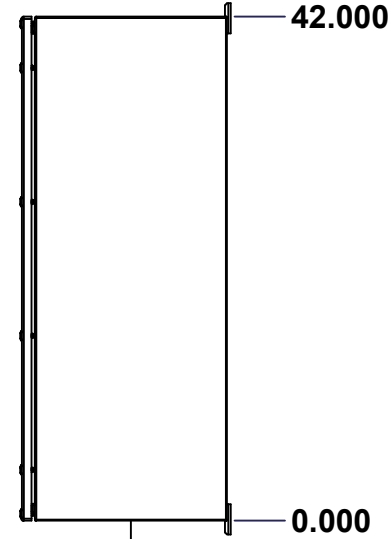
BACK



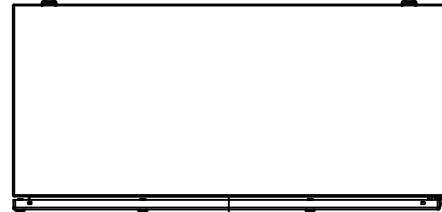
LEFT



FRONT

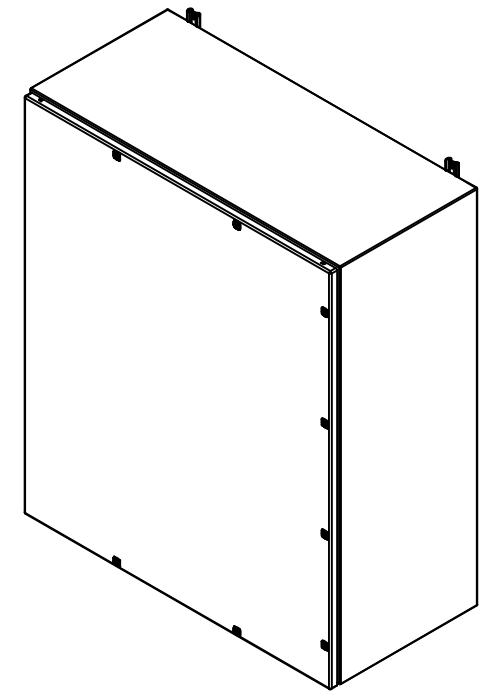


RIGHT



BOTTOM

| No. | Revisions | Date | By/Par |
|-----|-----------|------|--------|
| | | | |
| | | | |
| | | | |
| | | | |



Isometric View



Tél: (450) 979-4373
 Fax: (450) 979-4626
www.exmweb.com

Flatness
Aplatissement
Max 3.0mm
Projection

| | |
|---|-----------------|
| Customer Client | Date |
| Drawn By / Dessiné Par: BoxCad: BoxCad | Date: 07-Feb-25 |
| Material / Matière: 14 Ga Cold Rolled A1008 CS Type B (1.7mm) | |

| | |
|------------------------------|-----------------------|
| Color / Couleur: Asa-61 Grey | Finish / Fini: Smooth |
|------------------------------|-----------------------|

| | |
|--|-------------|
| Description: 5412ESEL 42" x 36" x 16" Assembly | Detail Rev. |
|--|-------------|

| | | |
|--|--------|---|
| Part Number / Numéro Pièce: 5412ESEL423616TH | Rev. 0 | 1 |
|--|--------|---|

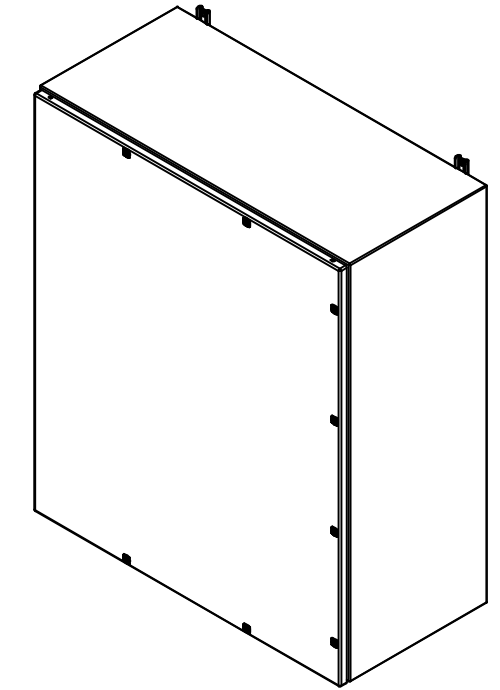
SEE BILL OF MATERIAL ON LAST PAGE

This drawing is confidential and must not be reproduced or used without the consent of EXM

Ce dessin est confidentiel et ne doit pas être reproduit ou utilisé sans le consentement de EXM

| NOTE | |
|------|---|
| ITEM | DESCRIPTION |
| 1 | NEMA 4, 12 Enclosure (IP66) |
| 2 | C/W Standard ground studs on box and cover |
| 3 | C/W Standard door stiffener |
| 4 | C/W Standard inner panel (Included) |
| 5 | C/W Standard inner panel mounting studs |
| 6 | C/W 885 ESMF3_OPEN Sold separately (Installed) |
| 7 | C/W 885 ESMF3_CLOSE Sold separately (Installed) |
| 8 | C/W R5 Insulation (Installed aluminum visible) |

| No. | Revisions | Date | By/Par |
|-----|-----------|------|--------|
| | | | |
| | | | |
| | | | |
| | | | |
| | | | |
| | | | |


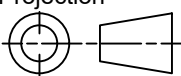


Isometric View



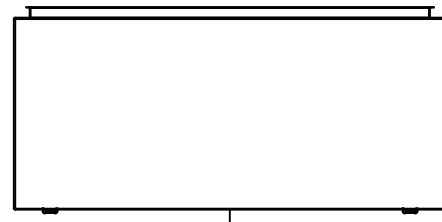
| PACKING | | |
|-----------------------|-----|--|
| ITEM | QTY | DESCRIPTION |
| Cardboard sleeve | 2 | Top and Bottom |
| Cardboard strip | 2 | Between back of enclosure and inner panel |
| Plastic bag | 1 | To protect cover surface and inside gasket |
| Cardboard corner | 4 | To reinforced for the plastic strap tightening |
| Plastic strap - Black | 2 | To Squeeze 2 cardboard sleeve together |
| Packaging label | 3 | White label with PN |
| Plastic strap- Green | 2 | To secure the enclosure to the wood pallet |
| Wood Pallet | 1 | 2" deeper and 3" larger than enclosure size |

| | | | |
|------------|--------------------|-----|---|
| 8 | STK-Q-00600 | 2 | M12 to M8 Adaptor |
| 1 | 885SP4236G | 0 | 885SP 42" x 36" Inner Panel Part |
| 1 | STK-K-01800 | 5 | 5412 ES Accessory Kit |
| 6 | RIVET_NUT_M6_FH_CE | 0 | Rivet Nut M6 (Low Profile Close End) |
| 1 | 5412ESEL423616THC | 0 | 5412ESEL 42" x 36" Cover |
| 1 | 5412ESEL423616THB | 0 | 5412ESEL 42" x 36" x 16" Body |
| 6 | STK-Q-04050-14 | 5 | M6 x 14mm Hexagon Socket Head Machine Screw with Nyseal |
| Qty | Part Number | Rev | Description |
| Parts List | | | |

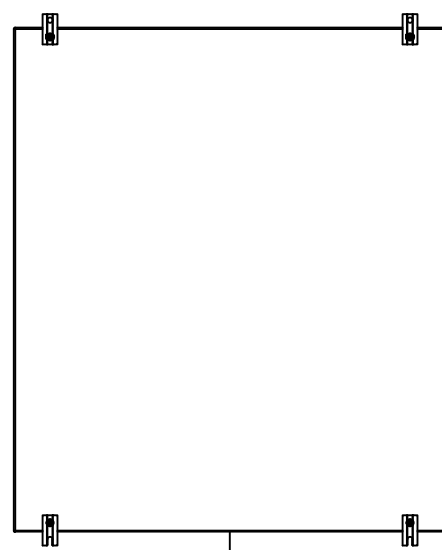
| | | |
|--|---|---|
|  Tél: (450) 979-4373 Fax: (450) 979-4626 www.exmweb.com | Flatness Aplatissement | Max 3.0mm |
| | Projection |  |
| Customer Client | Date | |
| Drawn By Dessiné Par | BoxCad: BoxCad | Date 07-Feb-25 |
| Material Matière | 14 Ga Cold Rolled A1008 CS Type B (1.7mm) | |
| Color Couleur | Asa-61 Grey | Finish Fini Smooth |
| Description | Detail Rev. | |
| 5412ESEL 42" x 36" x 16" Assembly | | |
| Part Number Numéro Pièce | Rev. | 2 |
| 5412ESEL423616TH | 0 | 16 |

This drawing is confidential and must not be reproduced or used without the consent of EXM

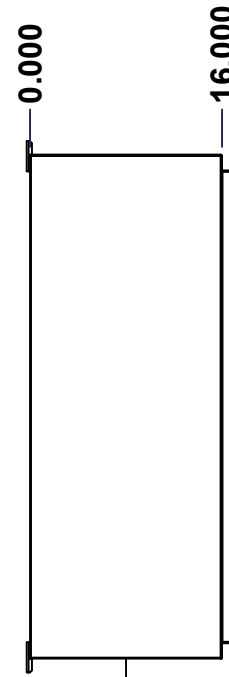
Ce dessin est confidentiel et ne doit pas être reproduit ou utilisé sans le consentement de EXM



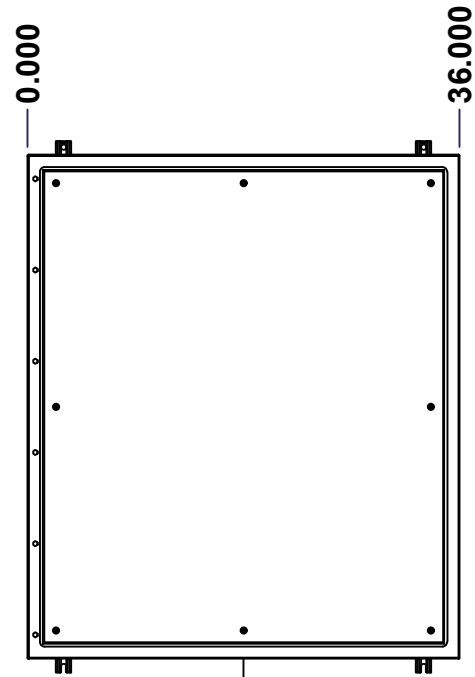
TOP



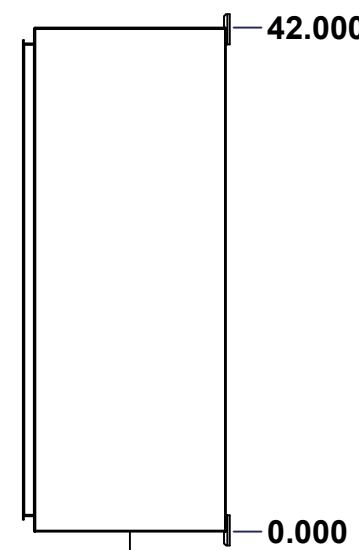
BACK



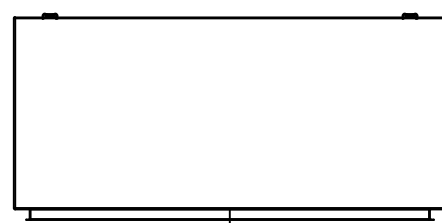
LEFT



FRONT

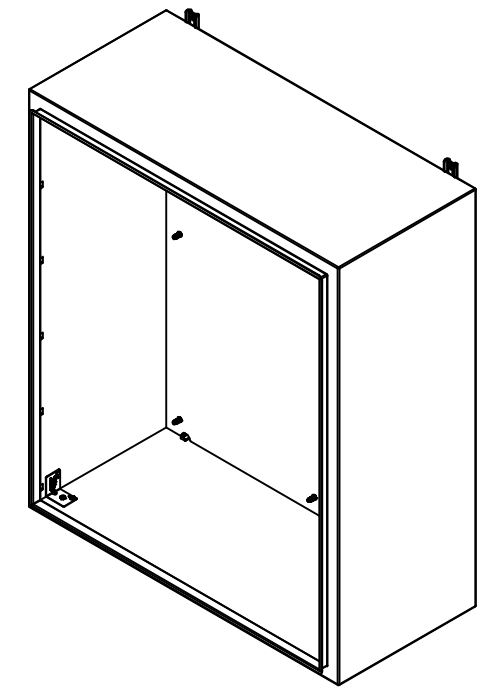


RIGHT



BOTTOM

| No. | Revisions | Date | By/Par |
|-----|-----------|------|--------|
| | | | |
| | | | |
| | | | |
| | | | |



Isometric View



Tél: (450) 979-4373
 Fax: (450) 979-4626
www.exmweb.com

Flatness
Aplatissement
Max 3.0mm
Projection

| | |
|---|-----------------------|
| Customer Client | Date |
| Drawn By / Dessiné Par: BoxCad: BoxCad | Date: 07-Feb-25 |
| Material / Matière: 14 Ga Cold Rolled A1008 CS Type B (1.7mm) | |
| Color / Couleur: Asa-61 Grey | Finish / Fini: Smooth |

| | |
|---|-------------|
| Description: 5412ESEL 42" x 36" x 16" Body | Detail Rev. |
| Part Number / Numéro Pièce: 5412ESEL423616THB | Rev. 3 |

SEE BILL OF MATERIAL ON LAST PAGE

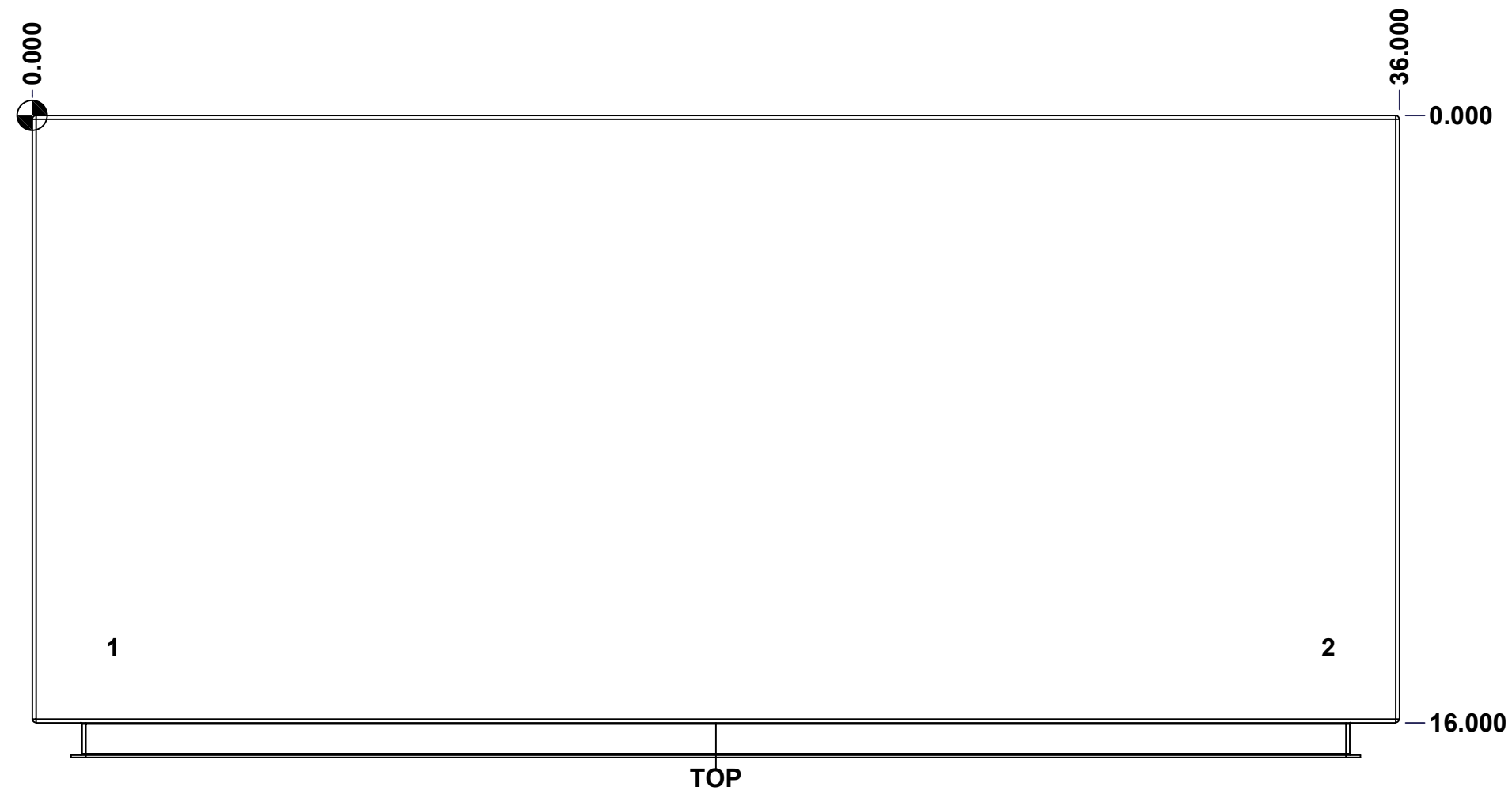
5412ESEL423616THB

| | |
|--------|----|
| Rev. 0 | 3 |
| | 16 |

This drawing is confidential and must not be reproduced or used without the consent of EXM

Ce dessin est confidentiel et ne doit pas être reproduit ou utilisé sans le consentement de EXM

| STANDARD FEATURES ARE NOT LISTED IN THIS HOLE TABLE | | | |
|---|--------|--------|--------------------------------|
| HOLE TABLE - TOP VIEW (CUSTOM FEATURE ONLY) | | | |
| CUT-OUT | XDIM | YDIM | DESCRIPTION |
| 1 | 2.000 | 14.000 | INSUL. STUD M6 x 18mm (Inside) |
| 2 | 34.000 | 14.000 | INSUL. STUD M6 x 18mm (Inside) |

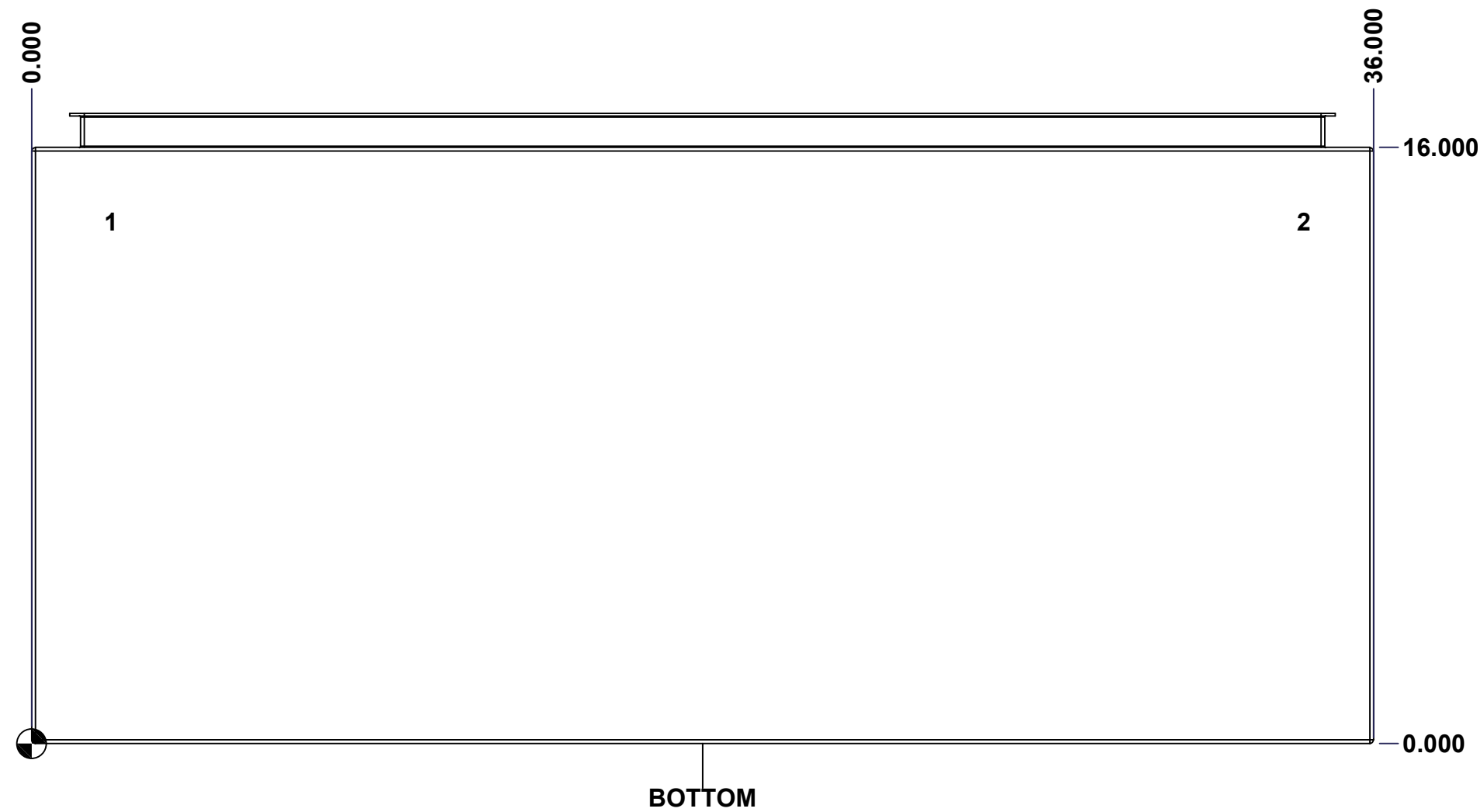


| | | |
|--|-------------------------------|--------------|
| | Description | Status |
| | 5412ESEL 42" x 36" x 16" Body | (NULL) |
| | Part Number Numéro Pièce | Rev. |
| | 5412ESEL423616THB | 0 / 4 |
| | | 16 |

This drawing is confidential and must not be reproduced or used without the consent of EXM

Ce dessin est confidentiel et ne doit pas être reproduit ou utilisé sans le consentement de EXM

| STANDARD FEATURES ARE NOT LISTED IN THIS HOLE TABLE | | | |
|--|--------|--------|--------------------------------|
| HOLE TABLE - BOTTOM VIEW (CUSTOM FEATURE ONLY) | | | |
| CUT-OUT | XDIM | YDIM | DESCRIPTION |
| 1 | 2.000 | 14.000 | INSUL. STUD M6 x 18mm (Inside) |
| 2 | 34.000 | 14.000 | INSUL. STUD M6 x 18mm (Inside) |



| | | |
|--|-------------------------------|--------------|
| | Description | Status |
| | 5412ESEL 42" x 36" x 16" Body | (NULL) |
| | Part Number Numéro Pièce | Rev. |
| | 5412ESEL423616THB | 0 / 5 |
| | | 16 |

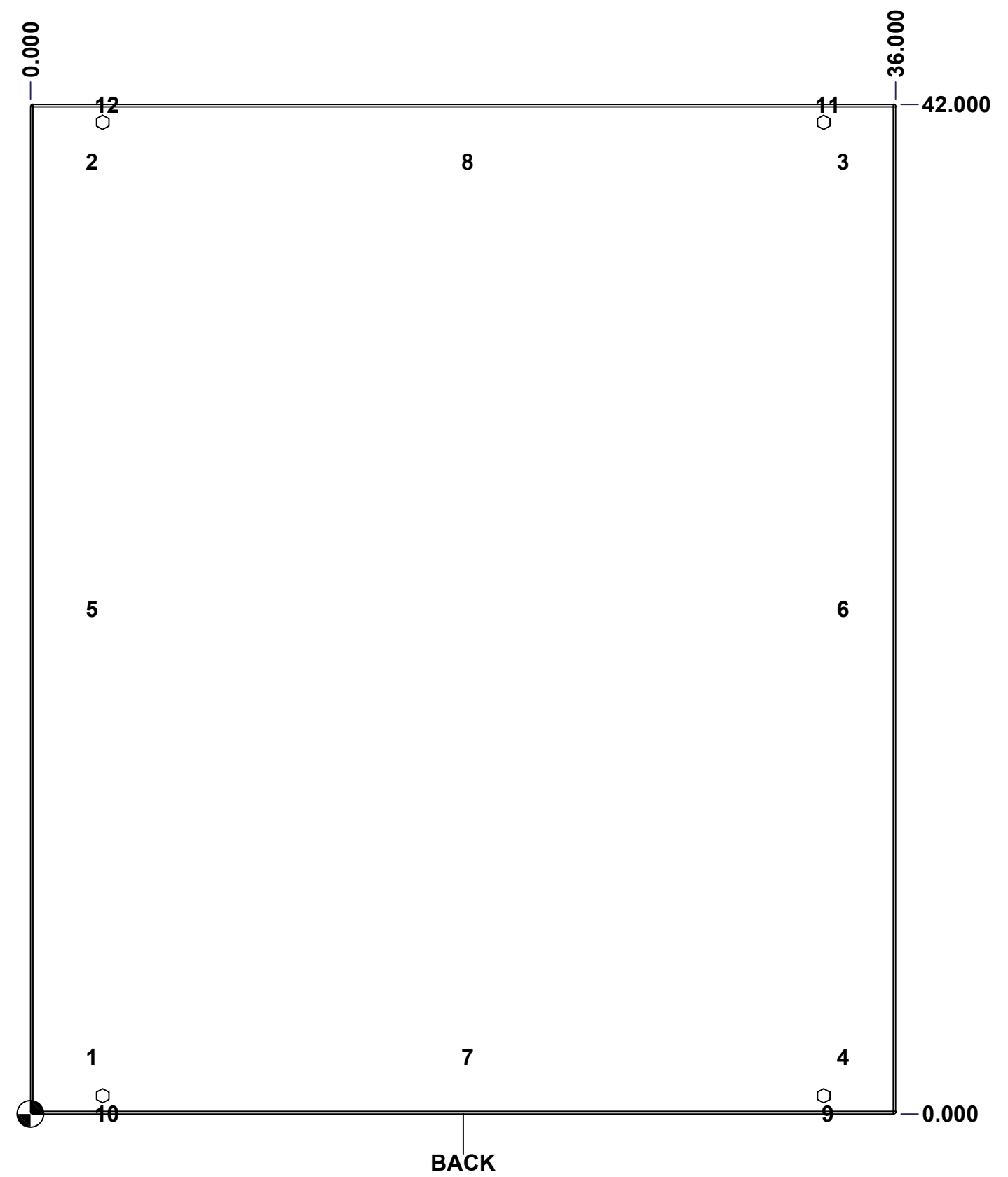
This drawing is confidential and must not be reproduced or used without the consent of EXM

Ce dessin est confidentiel et ne doit pas être reproduit ou utilisé sans le consentement de EXM

STANDARD FEATURES ARE NOT LISTED IN THIS HOLE TABLE

HOLE TABLE - BACK VIEW (CUSTOM FEATURE ONLY)

| CUT-OUT | XDIM | YDIM | DESCRIPTION |
|---------|--------|--------|----------------------------|
| 1 | 2.375 | 2.375 | IP STUD M8 x 35mm (Inside) |
| 2 | 2.375 | 39.625 | IP STUD M8 x 35mm (Inside) |
| 3 | 33.625 | 39.625 | IP STUD M8 x 35mm (Inside) |
| 4 | 33.625 | 2.375 | IP STUD M8 x 35mm (Inside) |
| 5 | 2.375 | 21.000 | IP STUD M8 x 35mm (Inside) |
| 6 | 33.625 | 21.000 | IP STUD M8 x 35mm (Inside) |
| 7 | 18.000 | 2.375 | IP STUD M8 x 35mm (Inside) |
| 8 | 18.000 | 39.625 | IP STUD M8 x 35mm (Inside) |
| ----- | | | |
| 9 | 33.000 | 0.000 | FOOT 885 ESMF3_OPEN |
| 10 | 3.000 | 0.000 | FOOT 885 ESMF3_OPEN |
| 11 | 33.000 | 42.000 | FOOT 885 ESMF3_CLOSE |
| 12 | 3.000 | 42.000 | FOOT 885 ESMF3_CLOSE |

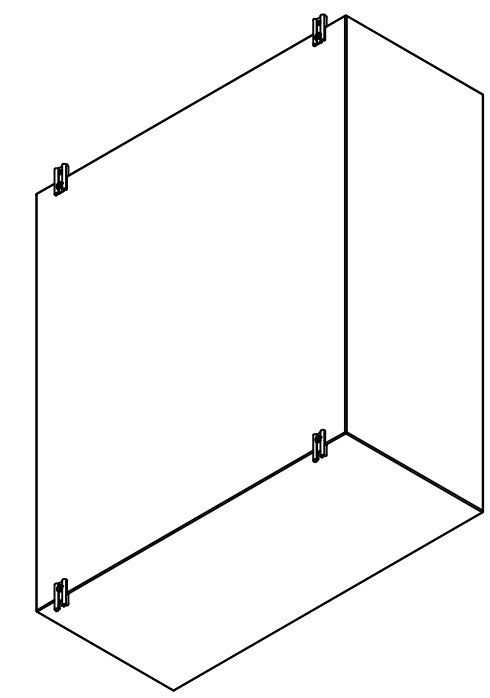


| | | |
|---|-------------------------------|--------|
| | Description | Status |
| | 5412ESEL 42" x 36" x 16" Body | (NULL) |
| Part Number Numéro Pièce 5412ESEL423616THB | Rev. | 6 |
| | 0 | 16 |

This drawing is confidential and must not be reproduced or used without the consent of EXM

Ce dessin est confidentiel et ne doit pas être reproduit ou utilisé sans le consentement de EXM


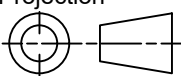
| No. | Revisions | Date | By/Par |
|-----|-----------|------|--------|
| | | | |
| | | | |
| | | | |
| | | | |
| | | | |



Isometric View

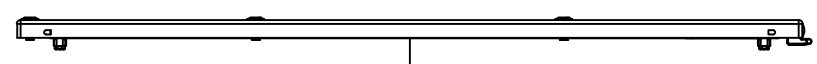


| | | | |
|------------|----------------------|-----|--|
| 1 | 885 ESMF3 | 0 | 885 ESMF3 Mounting Foot Kit |
| 4 | RIVET_NUT_M10_FH_CE | 0 | Rivet Nut M10 (Low Profile Close End) |
| 1 | STK-K-70554 | 3 | 5412 ESTH Accessory Kit |
| 1 | 5412ESEL423616THI-RS | 0 | 5412ESEL 42" x 36" Right Insulation |
| 1 | 5412ESEL423616THI-LS | 0 | 5412ESEL 42" x 36" Left Insulation |
| 1 | 5412ESEL423616THI-BT | 0 | 5412ESEL 42" x 36" Bottom Insulation |
| 1 | 5412ESEL423616THI-TP | 0 | 5412ESEL 42" x 36" Top Insulation |
| 1 | 5412ESEL423616THI-B | 0 | 5412ESEL 42" x 36" Back Insulation |
| 4 | STK-Q-16055 | 1 | M6 x 18mm Stud (No Paint Cap Required) |
| 1 | STK-P-02400S | 0 | Powder Paint (Asa-61 Grey / Smooth) |
| 8 | STK-Q-16005 | 0 | Stud M8 x 35mm Steel |
| 1 | 5412ESEL423616THB-P | 0 | 5412ESEL 42" x 36" x 16" Body Part |
| Qty | Part Number | Rev | Description |
| Parts List | | | |

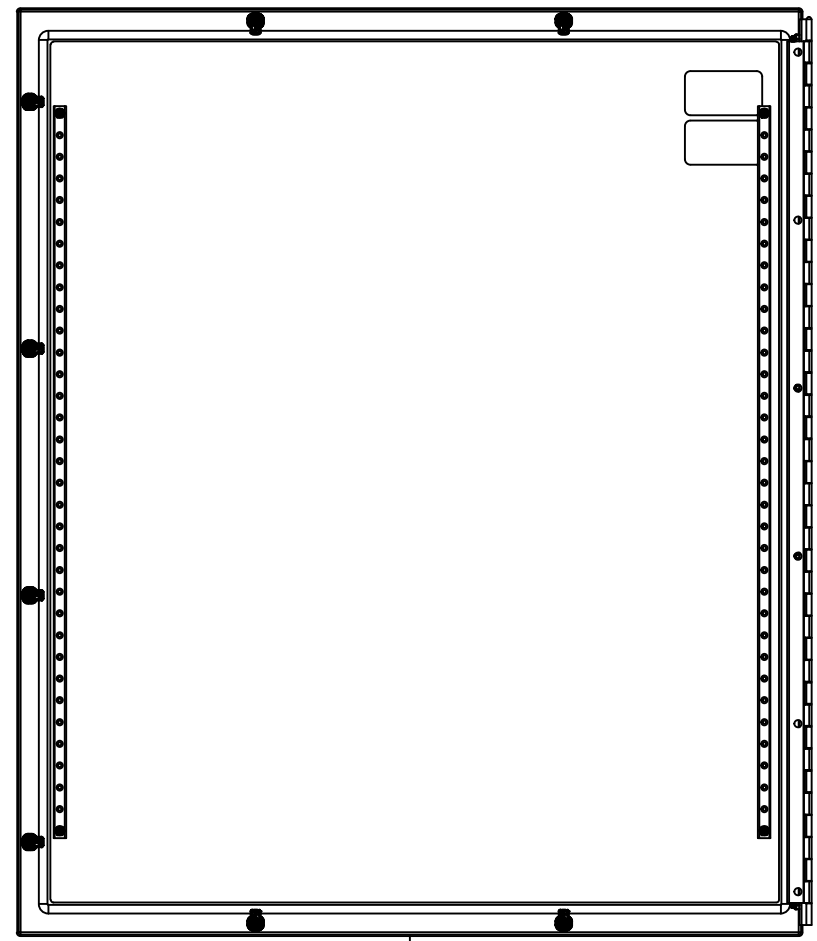
| | | |
|--|---|--|
|  Tél: (450) 979-4373 Fax: (450) 979-4626 www.exmweb.com | | Flatness Aplatissement Max 3.0mm |
| Projection  | | Date 07-Feb-25 |
| Customer Client | BoxCad: BoxCad | Date |
| Drawn By Dessiné Par | BoxCad: BoxCad | Date |
| Material Matière | 14 Ga Cold Rolled A1008 CS Type B (1.7mm) | |
| Color Couleur | Asa-61 Grey | Finish Fini Smooth |
| Description | 5412ESEL 42" x 36" x 16" Body | |
| Part Number Numéro Pièce | Rev. | 7 |
| 5412ESEL423616THB | 0 | 16 |

This drawing is confidential and must not be reproduced or used without the consent of EXM

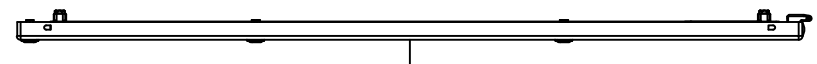
Ce dessin est confidentiel et ne doit pas être reproduit ou utilisé sans le consentement de EXM



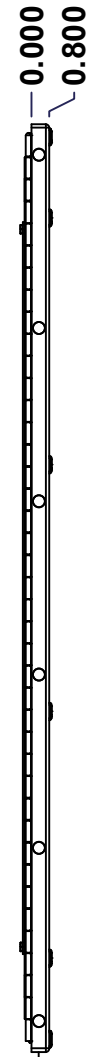
TOP



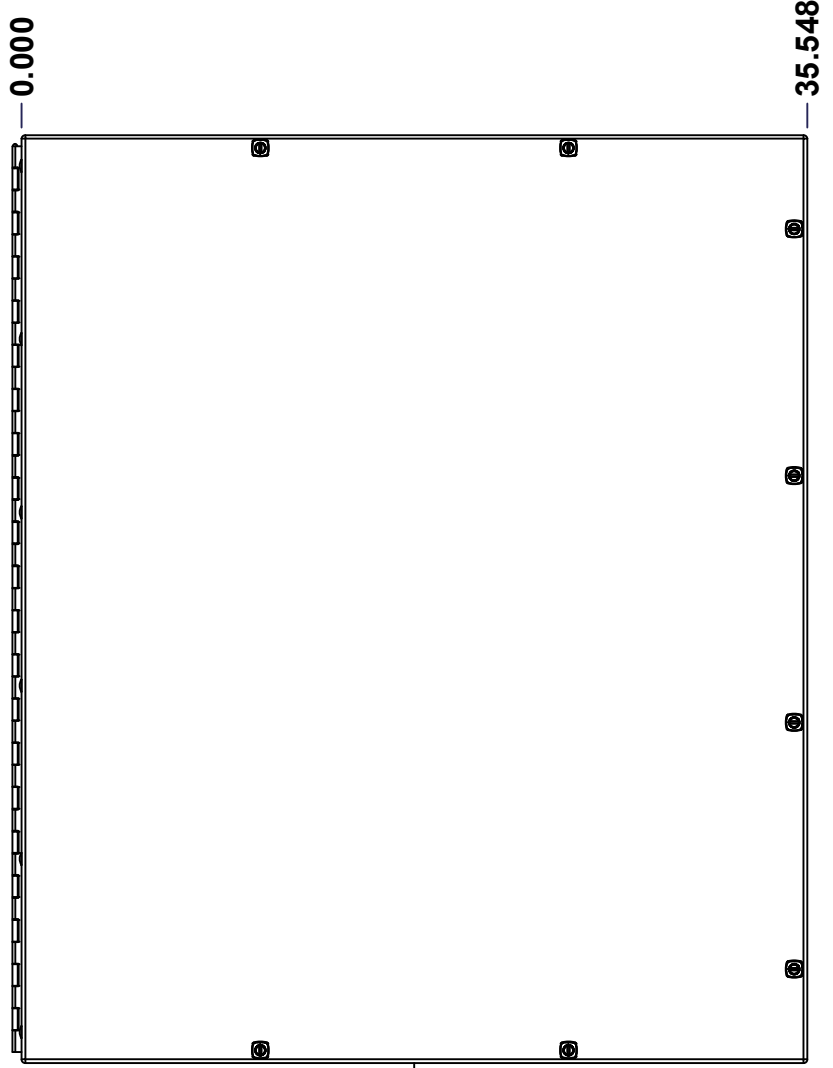
BACK



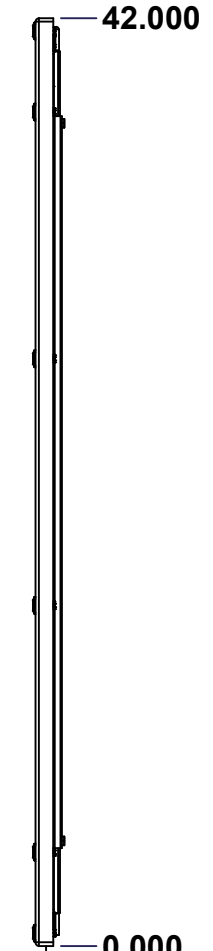
BOTTOM



LEFT

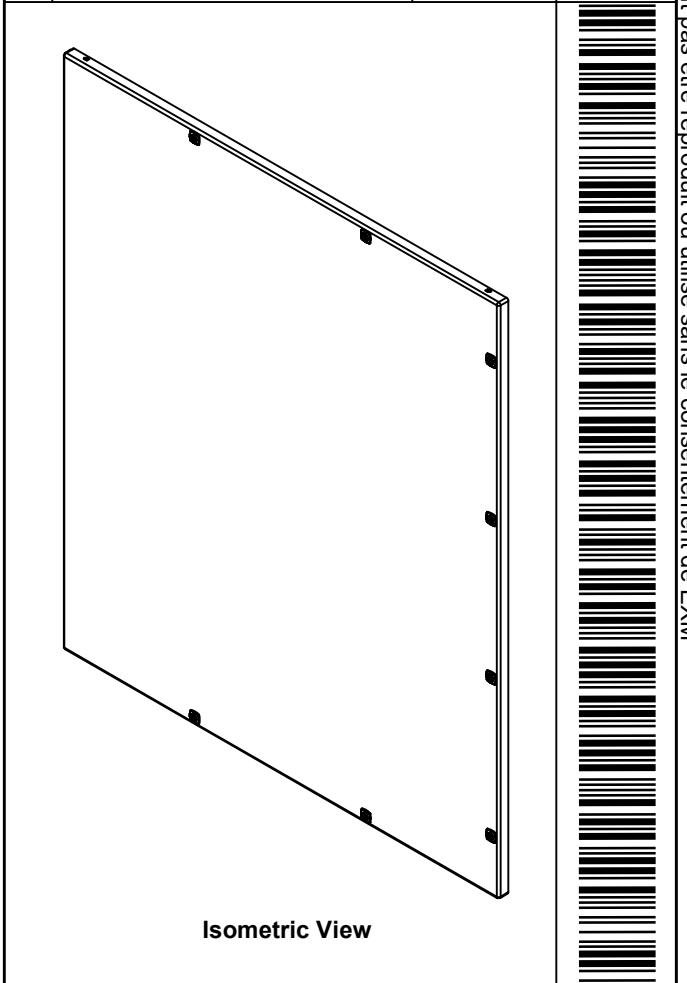


FRONT


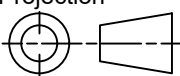


RIGHT

| No. | Revisions | Date | By/Par |
|-----|-----------|------|--------|
| | | | |
| | | | |
| | | | |
| | | | |



Isometric View

| | | |
|--|---|---|
|  Tél: (450) 979-4373 Fax: (450) 979-4626 www.exmweb.com | | Flatness Aplatissement Max 3.0mm Projection  |
| Customer Client | Date | |
| Drawn By Dessiné Par | BoxCad: BoxCad | Date 07-Feb-25 |
| Material Matière | 14 Ga Cold Rolled A1008 CS Type B (1.7mm) | |
| Color Couleur | Asa-61 Grey | Finish Fini Smooth |
| Description 5412ESEL 42" x 36" Cover | | Detail Rev. |
| Part Number Numéro Pièce | Rev. 0 | 8 / 16 |

SEE BILL OF MATERIAL ON LAST PAGE

5412ESEL423616THC

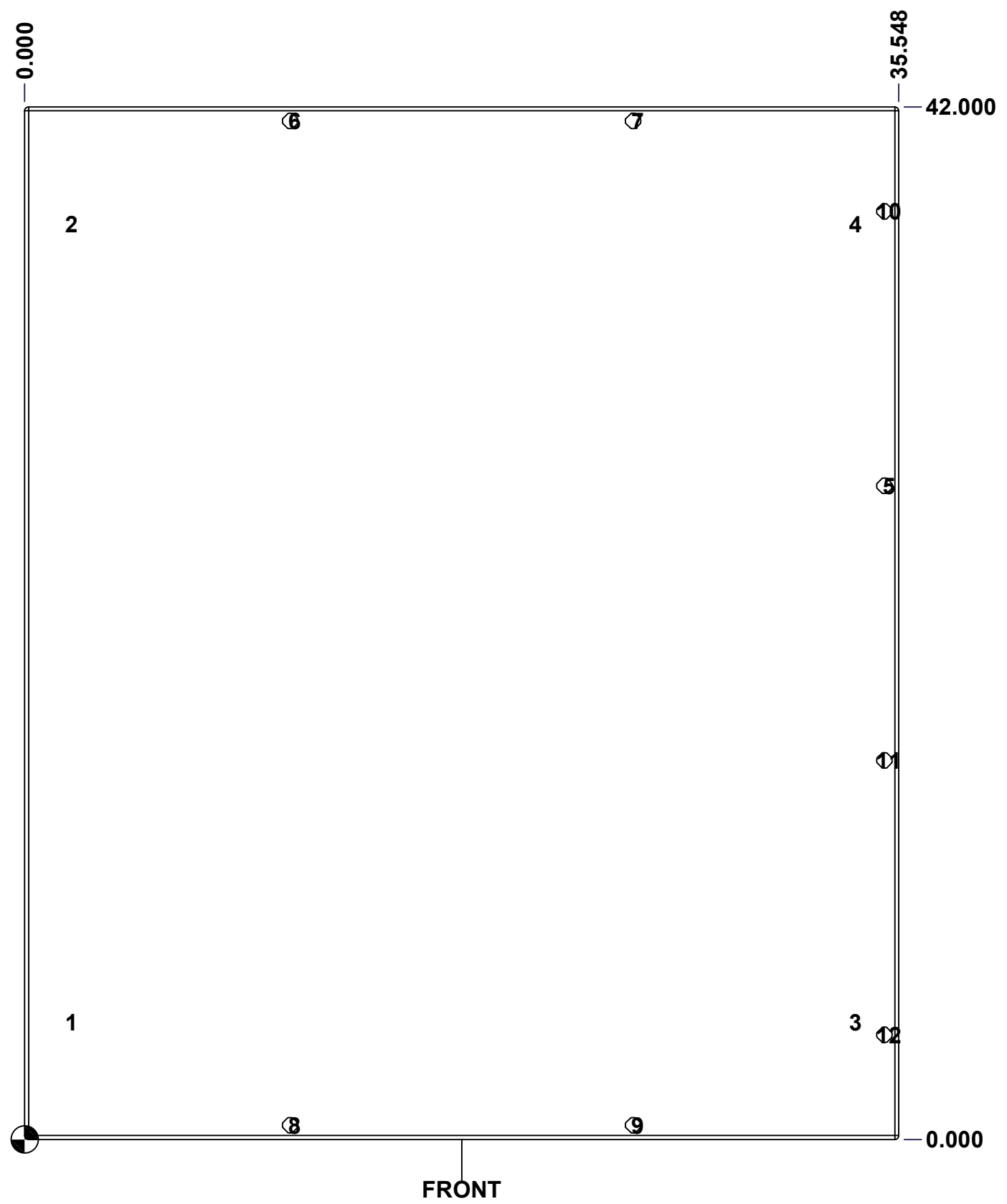
This drawing is confidential and must not be reproduced or used without the consent of EXM

Ce dessin est confidentiel et ne doit pas être reproduit ou utilisé sans le consentement de EXM

STANDARD FEATURES ARE NOT LISTED IN THIS HOLE TABLE

HOLE TABLE - FRONT VIEW (CUSTOM FEATURE ONLY)

| CUT-OUT | XDIM | YDIM | DESCRIPTION |
|---------|--------|--------|---------------------------|
| 1 | 1.729 | 4.760 | STUD M6 x 18mm (Inside) |
| 2 | 1.729 | 37.240 | STUD M6 x 18mm (Inside) |
| 3 | 33.609 | 4.760 | STUD M6 x 18mm (Inside) |
| 4 | 33.609 | 37.240 | STUD M6 x 18mm (Inside) |
| ----- | | | |
| 5 | 34.968 | 26.583 | LOCK 880 SCQ5-SL @ 180.0° |
| 6 | 10.800 | 41.420 | LOCK 880 SCQ5-SL @ 270.0° |
| 7 | 24.748 | 41.420 | LOCK 880 SCQ5-SL @ 270.0° |
| 8 | 10.800 | 0.580 | LOCK 880 SCQ5-SL @ 90.0° |
| 9 | 24.748 | 0.580 | LOCK 880 SCQ5-SL @ 90.0° |
| 10 | 34.968 | 37.750 | LOCK 880 SCQ5-SL @ 180.0° |
| 11 | 34.968 | 15.417 | LOCK 880 SCQ5-SL @ 180.0° |
| 12 | 34.968 | 4.250 | LOCK 880 SCQ5-SL @ 180.0° |

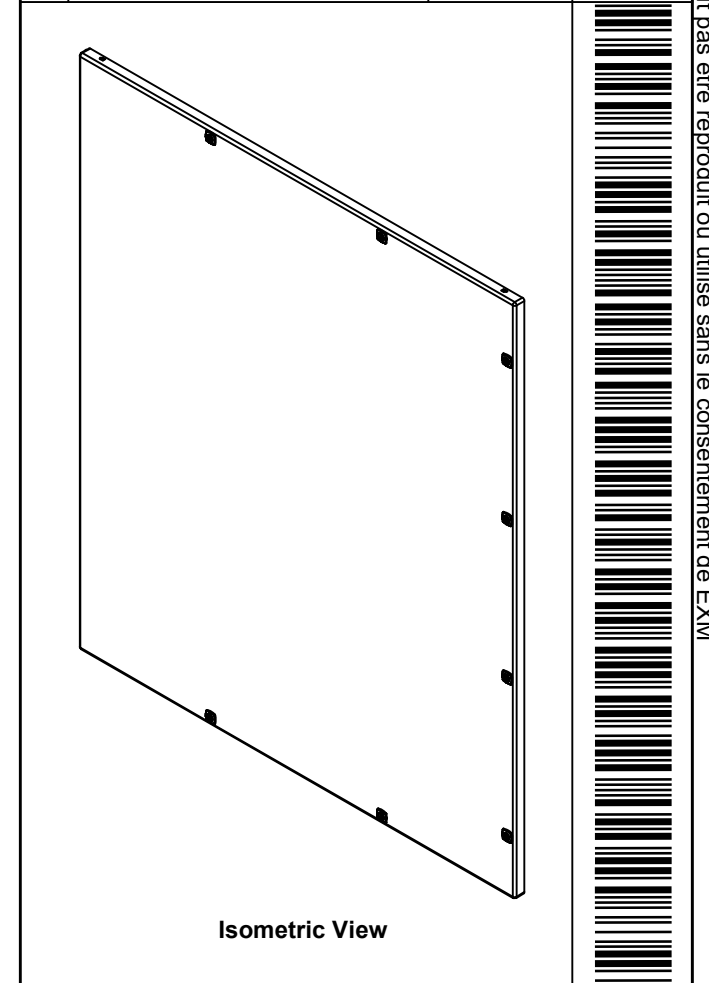


| | | |
|---|--------------------------|--------|
| | Description | Status |
| | 5412ESEL 42" x 36" Cover | (NULL) |
| Part Number Numéro Pièce 5412ESEL423616THC | Rev. | 9 |
| | 0 | 16 |

This drawing is confidential and must not be reproduced or used without the consent of EXM

Ce dessin est confidentiel et ne doit pas être reproduit ou utilisé sans le consentement de EXM

| No. | Revisions | Date | By/Par |
|-----|-----------|------|--------|
| | | | |
| | | | |
| | | | |
| | | | |
| | | | |

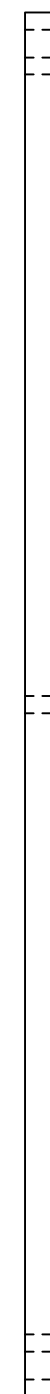
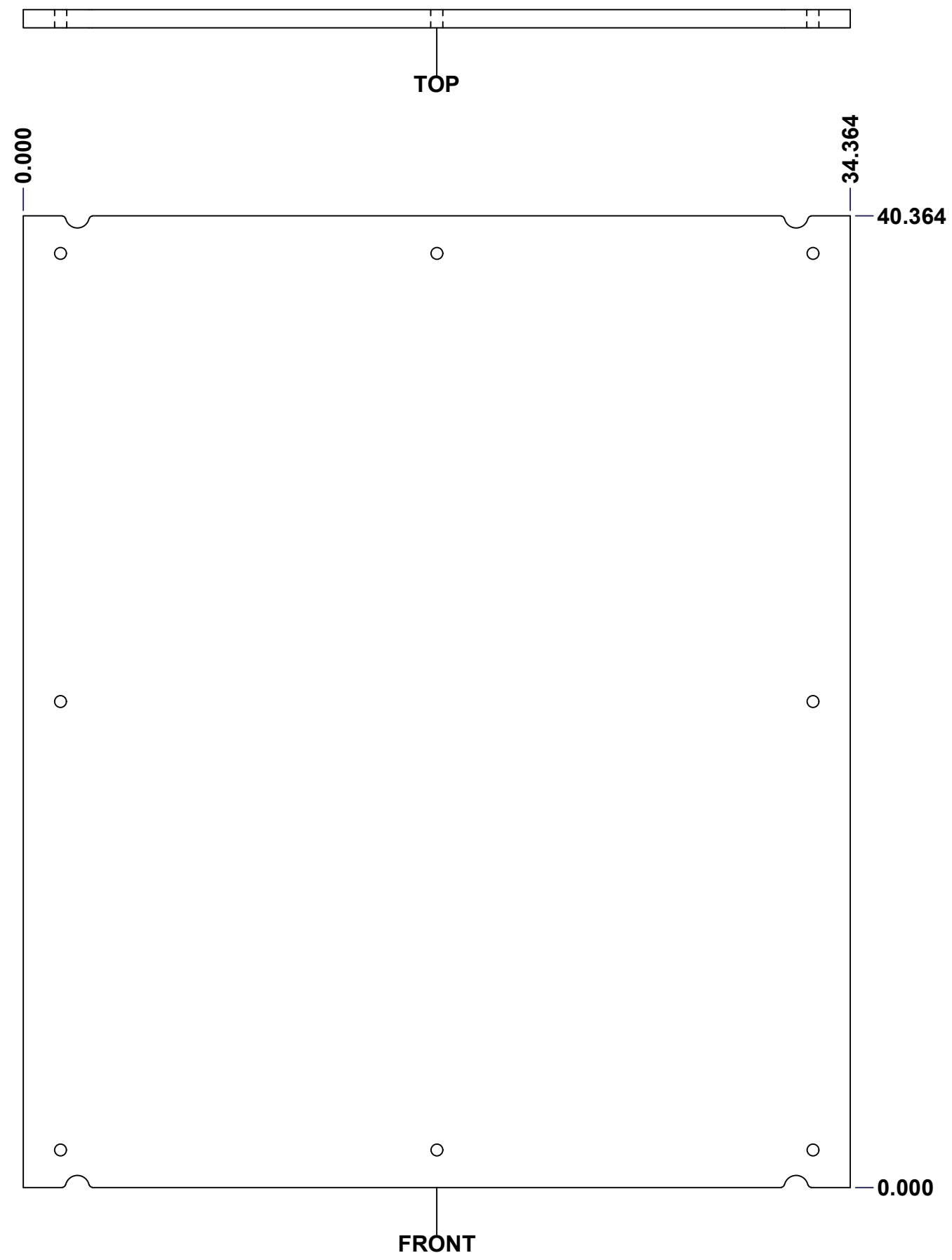


| 2 | STK-S-00100 | 0 | 3.5" x 2" Silver Milar Flexcon Sticker |
|------------|----------------------|-----|--|
| 4 | STK-Q-07250 | 2 | M6 x 16mm Collar Nut |
| 2 | STK-Q-46020-36 | 5 | 5412 ES Vertical Door Stiffener 36" |
| 1 | 5412ESEL423616THI-C | 0 | 5412ESEL 42" x 36" Cover Insulation |
| 1 | STK-P-02400S | 0 | Powder Paint (Asa-61 Grey / Smooth) |
| 4 | STK-Q-16055 | 1 | M6 x 18mm Stud (No Paint Cap Required) |
| 6 | STK-Q-00260 | 1 | M6 x 13mm Carriage Bolt |
| 1 | 5412ESEL423616THHP-P | 0 | Piano Hinge Pin (Length= 41.182") |
| 1 | 5412ESEL423616THH1-P | 0 | 5412ESEL 42" x 36" Piano Hinge Part |
| 1 | 5412ESEL423616THH2-P | 0 | 5412ESEL 42" x 36" Piano Hinge Part |
| 1 | 5412ESEL423616THG | 0 | 5412ESEL 42" x 36" Cover Gasket Part |
| 1 | 5412ESEL423616THC-P | 0 | 5412ESEL 42" x 36" Cover Part |
| 8 | 880 SCQ5-SL | | 5412 ESEL 1/4 Turn Lock |
| 6 | STK-Q-07225 | 0 | M6 Stainless Steel Nylon Insert Lock Nut |
| QTY | Part Number | Rev | Description |
| Parts List | | | |

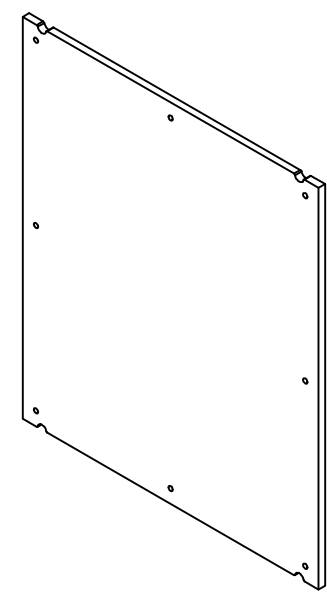
| | | |
|--|---|-----------------------|
| Tél: (450) 979-4373 Fax: (450) 979-4626 www.exmweb.com | Flatness Aplatissement | Max 3.0mm |
| | Projection | |
| Customer Client | Date | |
| Drawn By Dessiné Par | BoxCad: BoxCad | Date 07-Feb-25 |
| Material Matière | 14 Ga Cold Rolled A1008 CS Type B (1.7mm) | |
| Color Couleur | Asa-61 Grey | Finish Fini Smooth |
| Description | Detail Rev. | |
| 5412ESEL 42" x 36" Cover | | |
| Part Number Numéro Pièce | Rev. | 10 |
| 5412ESEL423616THC | 0 | 16 |

This drawing is confidential and must not be reproduced or used without the consent of EXM

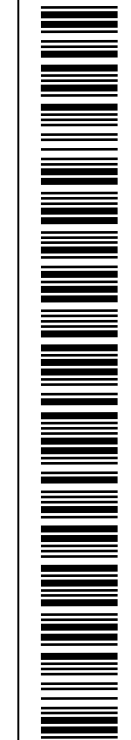
Ce dessin est confidentiel et ne doit pas être reproduit ou utilisé sans le consentement de EXM




| No. | Revisions | Date | By/Par |
|-----|-----------|------|--------|
| | | | |
| | | | |
| | | | |
| | | | |



Isometric View

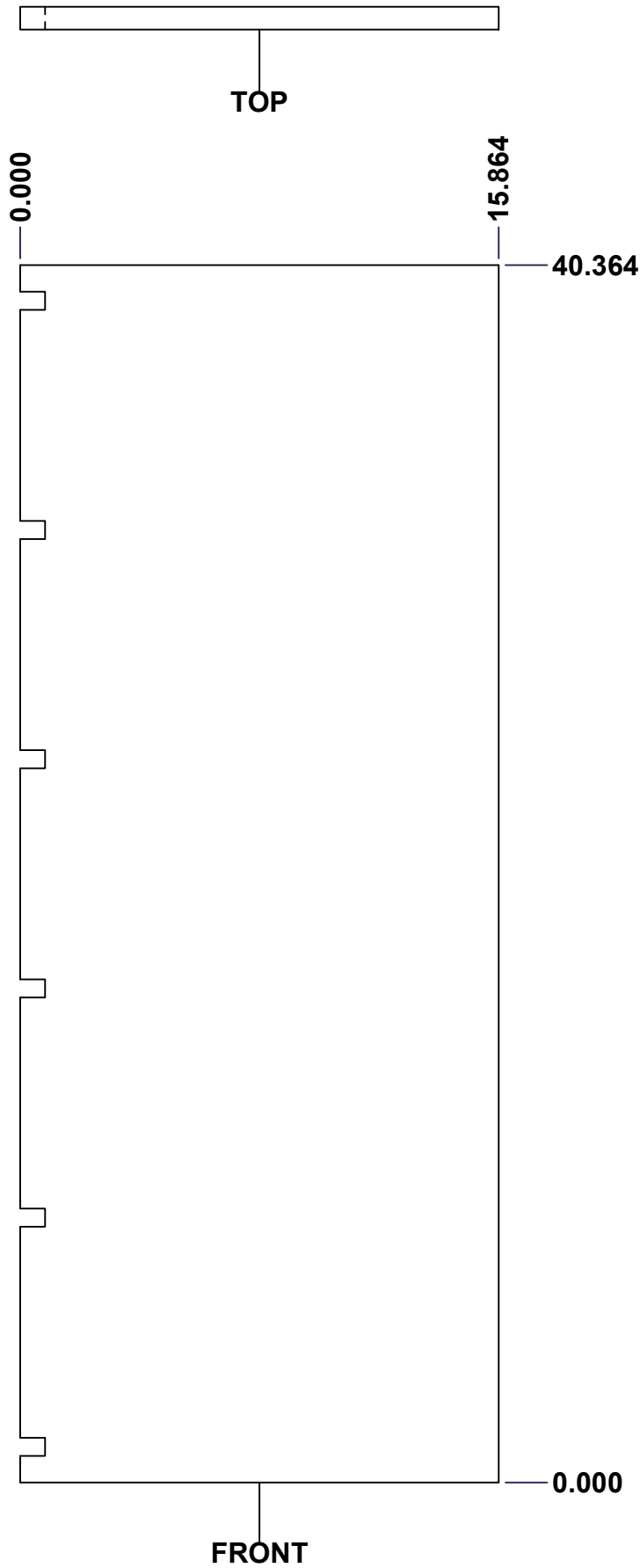


| | | | |
|--|--|---------------------------|----------------|
|  Tél: (450) 979-4373 Fax: (450) 979-4626 www.exmweb.com | | Flatness Aplatissement | |
| | | Max 3.0mm | |
| Customer Client | | Date | |
| Drawn By Dessiné Par | | BoxCad: Patrick Deschenes | Date 23-Jan-07 |
| Material Matière | | | |
| Polyisocyanurate | | | |
| Color Couleur | | Aluminum | Finish Fini |
| | | | N/A |
| Description | | | Detail Rev. |
| 5412ESEL 42" x 36" Back Insulation | | | |
| Part Number Numéro Pièce | | Rev. | 11 |
| 5412ESEL423616THI-B | | 0 | 16 |

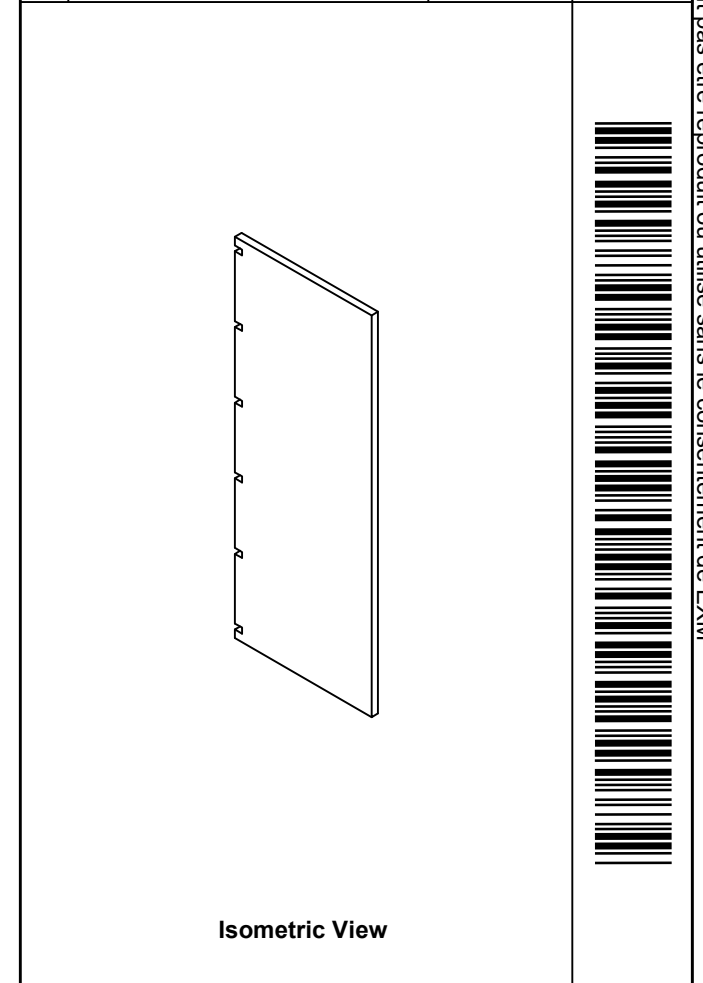
SEE BILL OF MATERIAL ON LAST PAGE

This drawing is confidential and must not be reproduced or used without the consent of EXM


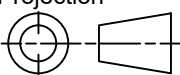
Ce dessin est confidentiel et ne doit pas être reproduit ou utilisé sans le consentement de EXM



| No. | Revisions | Date | By/Par |
|-----|-----------|------|--------|
| | | | |
| | | | |
| | | | |
| | | | |
| | | | |



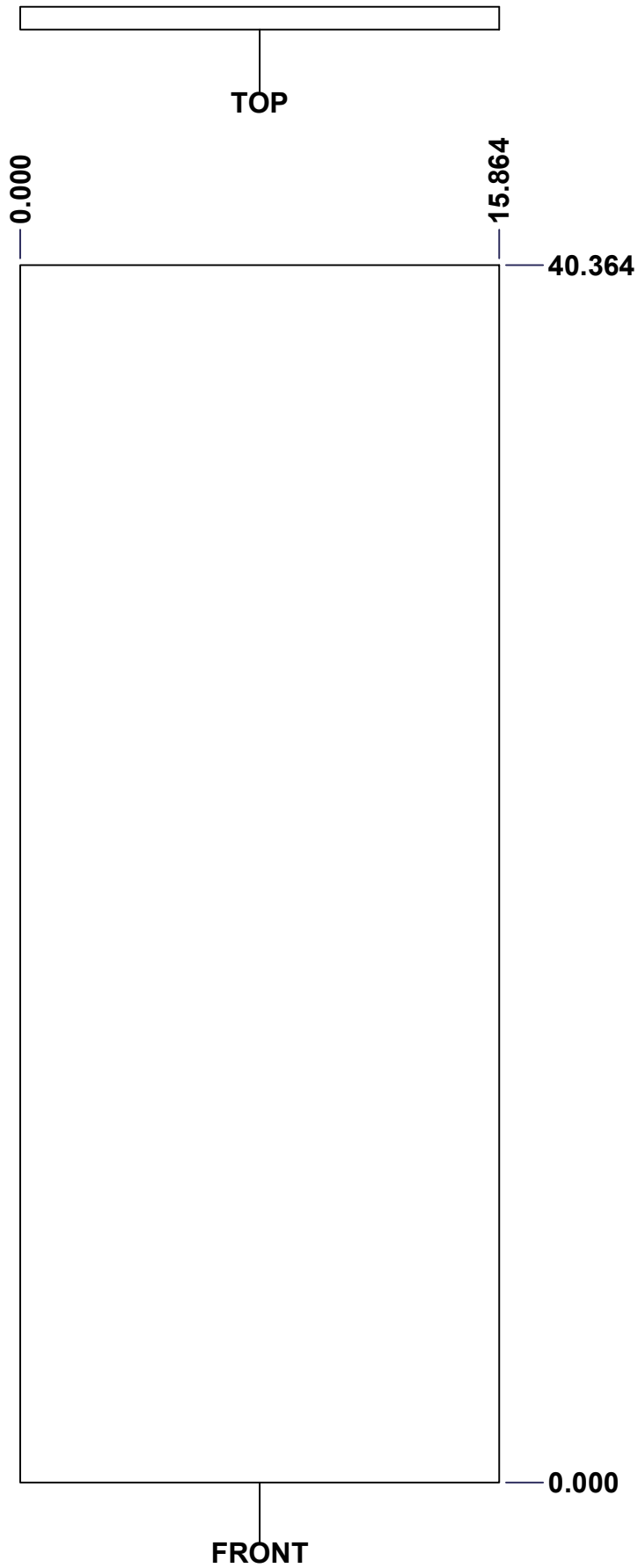
Isometric View

| | | |
|--|--------------------|--|
|  Tél: (450) 979-4373 Fax: (450) 979-4626 www.exmweb.com | | Flatness Aplatissement Max 3.0mm |
| Projection  | | Date 23-Jan-07 |
| Customer Client | Date | |
| Drawn By / Dessiné Par: BoxCad: Patrick Deschenes | Date: 23-Jan-07 | |
| Material / Matière: Polyisocyanurate | | |
| Color / Couleur: Aluminum | Finish / Fini: N/A | |
| Description: 5412ESEL 42" x 36" Left Insulation | Detail Rev. | |
| Part Number / Numéro Pièce: 5412ESEL423616THI-LS | Rev. 0 | 12 / 16 |

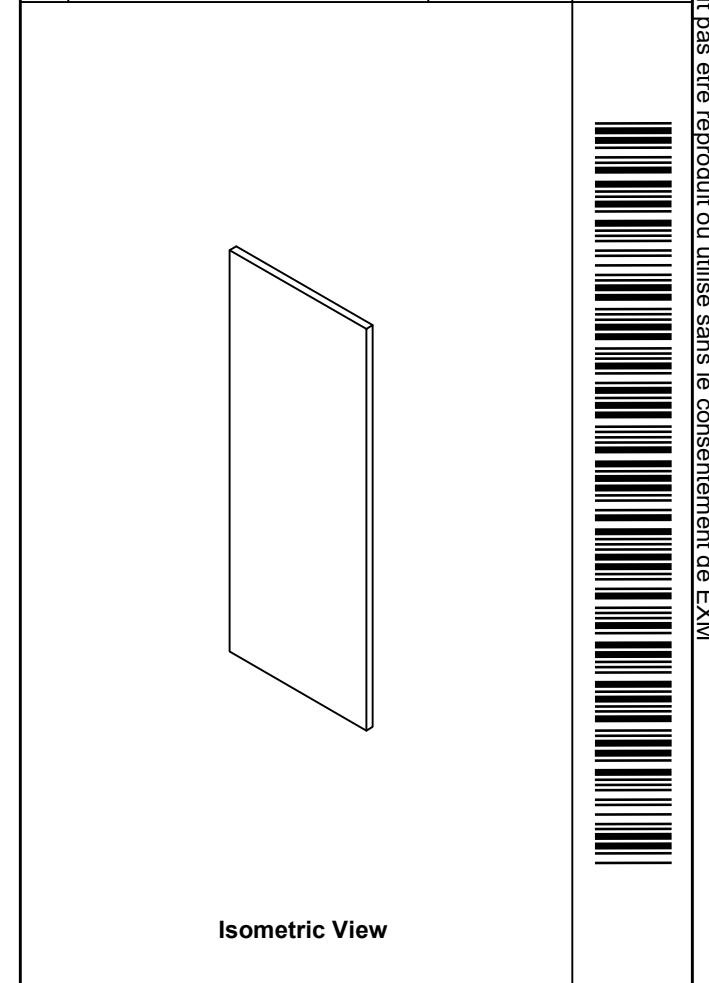
SEE BILL OF MATERIAL ON LAST PAGE

This drawing is confidential and must not be reproduced or used without the consent of EXM


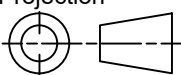
Ce dessin est confidentiel et ne doit pas être reproduit ou utilisé sans le consentement de EXM



| No. | Revisions | Date | By/Par |
|-----|-----------|------|--------|
| | | | |
| | | | |
| | | | |
| | | | |
| | | | |



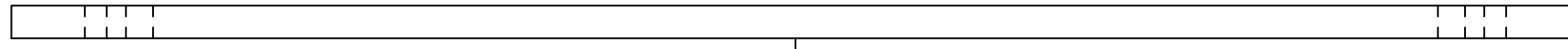
Isometric View

| | | |
|--|--------------------|---|
|  Tél: (450) 979-4373 Fax: (450) 979-4626 www.exmweb.com | | Flatness Aplatissement Max 3.0mm |
| Customer Client | | Projection  |
| Drawn By / Dessiné Par: BoxCad: Patrick Deschenes | | Date: 23-Jan-07 |
| Material / Matière: Polyisocyanurate | | |
| Color / Couleur: Aluminum | Finish / Fini: N/A | |
| Description: 5412ESEL 42" x 36" Right Insulation | | Detail Rev. |
| Part Number / Numéro Pièce: 5412ESEL423616THI-RS | | Rev. 0 |

SEE BILL OF MATERIAL ON LAST PAGE

This drawing is confidential and must not be reproduced or used without the consent of EXM

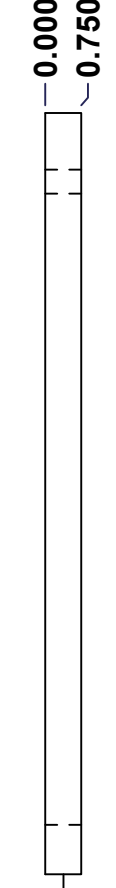
Ce dessin est confidentiel et ne doit pas être reproduit ou utilisé sans le consentement de EXM



TOP

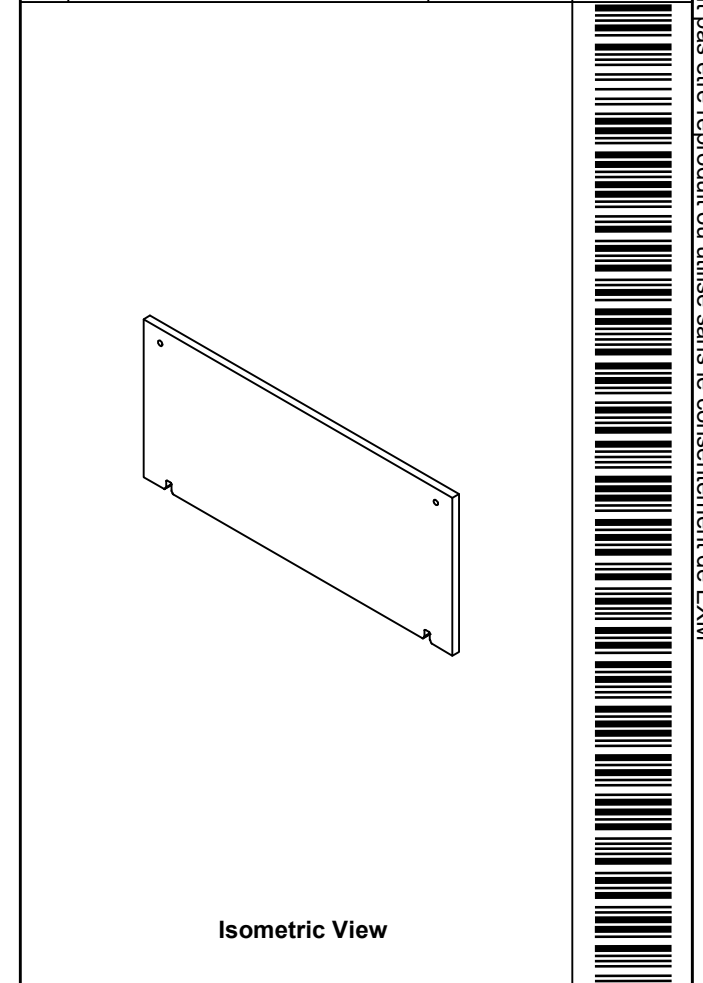


FRONT



RIGHT

| No. | Revisions | Date | By/Par |
|-----|-----------|------|--------|
| | | | |
| | | | |
| | | | |
| | | | |
| | | | |



Isometric View



Tél: (450) 979-4373
 Fax: (450) 979-4626
www.exmweb.com

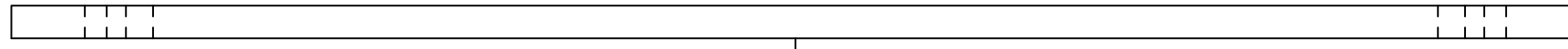
Flatness
Aplatissement
Max 3.0mm
Projection

| | |
|--|-----------------------|
| Customer Client | Date |
| Drawn By Dessiné Par BoxCad: BoxCad | Date 4/3/2024 |
| Material Matière Polyisocyanurate | |
| Color Couleur Aluminum | Finish Fini Smooth |
| Description 5412ESEL 42" x 36"Top Insulation | Detail Rev. |
| Part Number Numéro Pièce 5412ESEL423616THI-TP | Rev. 0 |

SEE BILL OF MATERIAL ON LAST PAGE

This drawing is confidential and must not be reproduced or used without the consent of EXM

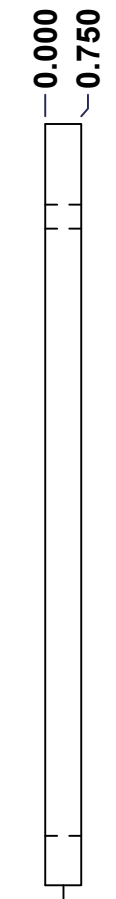
Ce dessin est confidentiel et ne doit pas être reproduit ou utilisé sans le consentement de EXM



TOP

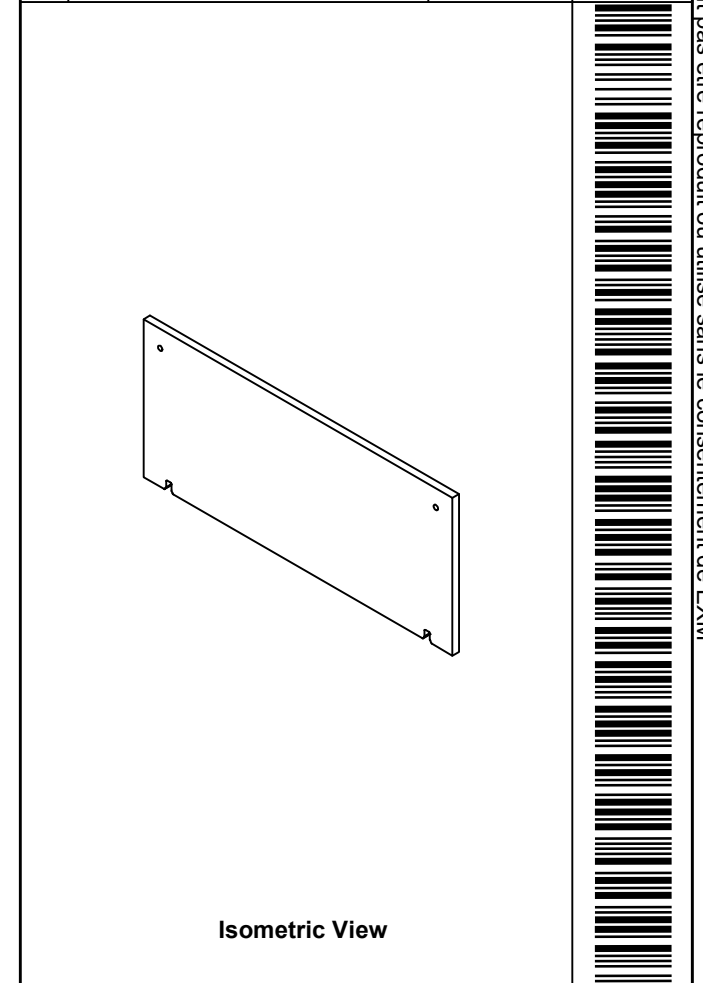


FRONT



RIGHT

| No. | Revisions | Date | By/Par |
|-----|-----------|------|--------|
| | | | |
| | | | |
| | | | |
| | | | |
| | | | |



Isometric View



Tél: (450) 979-4373
 Fax: (450) 979-4626
www.exmweb.com

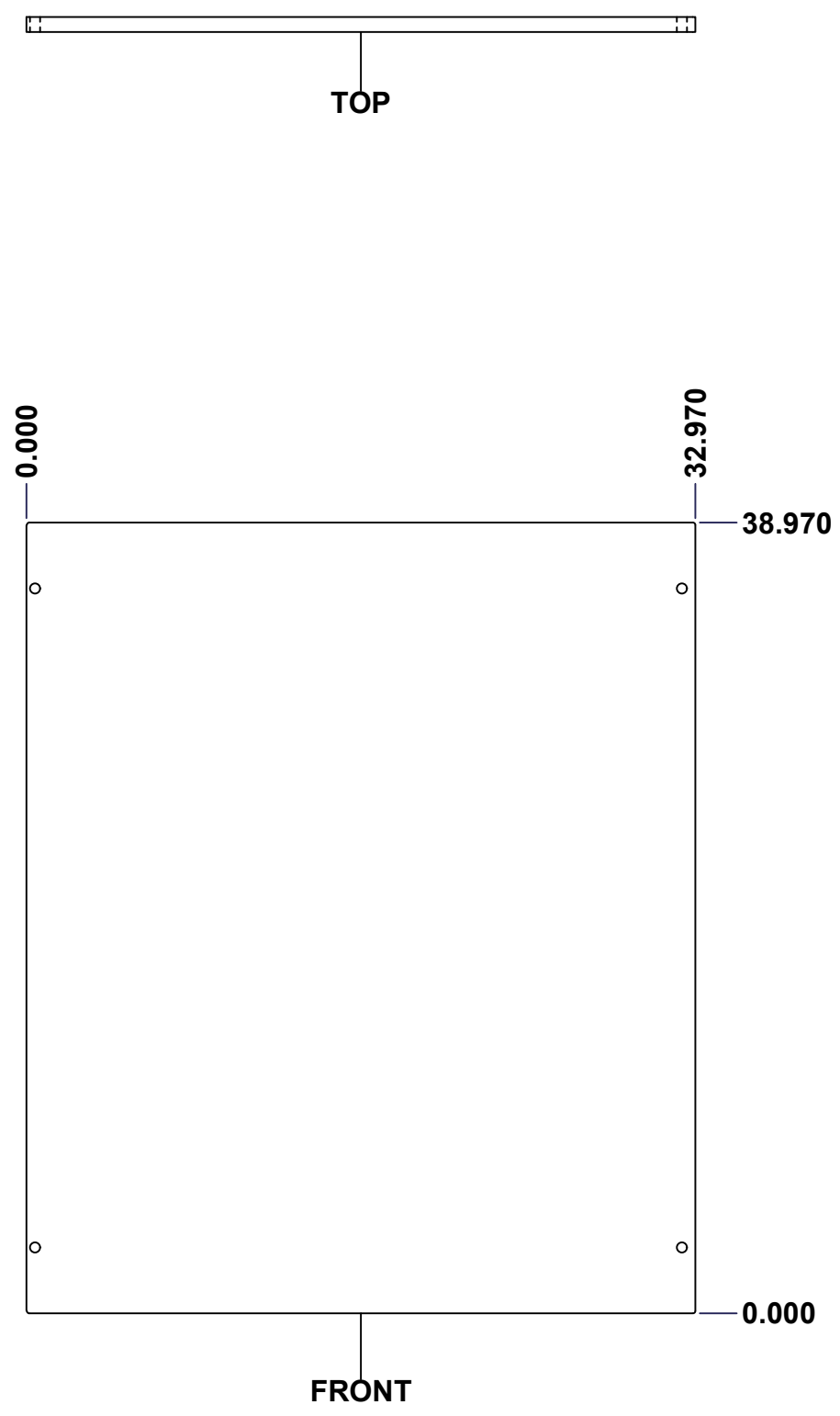
Flatness
 Aplatissement
 Max 3.0mm
 Projection

| | |
|---|-----------------------|
| Customer Client | Date |
| Drawn By / Dessiné Par: BoxCad: BoxCad | Date: 4/3/2024 |
| Material / Matière: Polyisocyanurate | |
| Color / Couleur: Aluminum | Finish / Fini: Smooth |
| Description: 5412ESEL 42" x 36" Bottom Insulation | Detail Rev. |
| Part Number / Numéro Pièce: 5412ESEL423616THI-BT | Rev. 15 |
| | 0 |

SEE BILL OF MATERIAL ON LAST PAGE

This drawing is confidential and must not be reproduced or used without the consent of EXM

Ce dessin est confidentiel et ne doit pas être reproduit ou utilisé sans le consentement de EXM



| No. | Revisions | Date | By/Par |
|-----|-----------|------|--------|
| | | | |
| | | | |
| | | | |
| | | | |

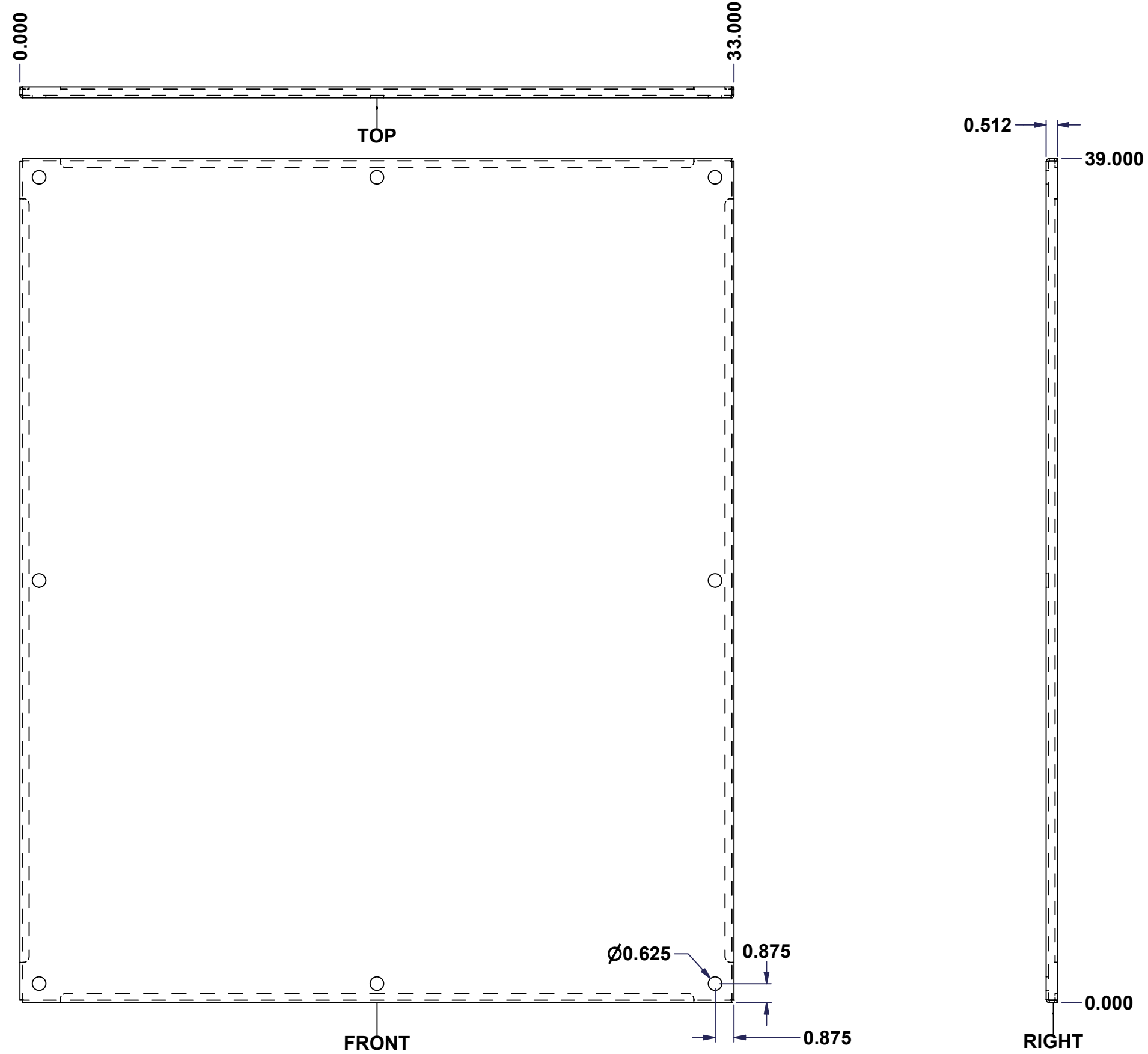
Isometric View

| | |
|--|--|
| Tél: (450) 979-4373 Fax: (450) 979-4626 www.exmweb.com | Flatness Aplatissement Max 3.0mm |
| | Projection |
| Customer Client | Date |
| Drawn By Dessiné Par BoxCad: Patrick Deschenes | Date 23-Jan-07 |
| Material Matière Polyisocyanurate | |
| Color Couleur Aluminum | Finish Fini N/A |
| Description 5412ESEL 42" x 36" Cover Insulation | Detail Rev. |
| Part Number Numéro Pièce 5412ESEL423616THI-C | Rev. 16 0 |

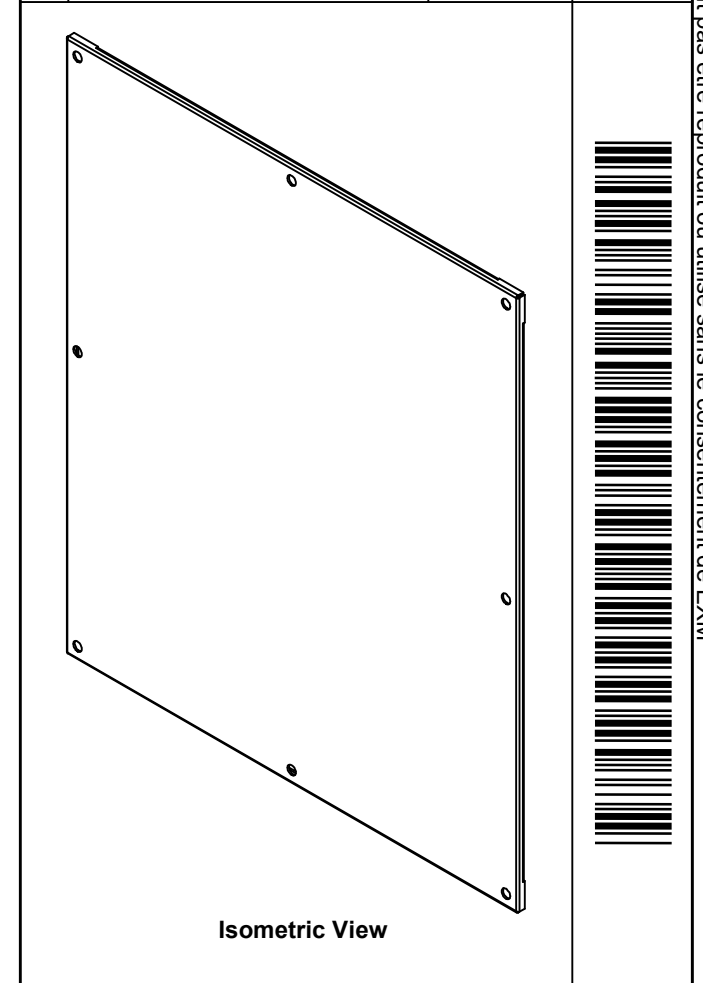
SEE BILL OF MATERIAL ON LAST PAGE

This drawing is confidential and must not be reproduced or used without the consent of EXM

Ce dessin est confidentiel et ne doit pas être reproduit ou utilisé sans le consentement de EXM



| No. | Revisions | Date | By/Par |
|-----|-----------|------|--------|
| | | | |
| | | | |
| | | | |
| | | | |



| | |
|--|--|
| Tél: (450) 979-4373 Fax: (450) 979-4626 www.exmweb.com | Flatness Aplatissement Max 3.0mm |
| | Projection |
| Customer Client | Date |
| Drawn By / Dessiné Par: BoxCad: nickz | Date: 01/03/2017 |
| Material / Matière: 12 Ga Galvanized (2.5mm) | |
| Color / Couleur: See Part List | Finish / Fini: See Part List |
| Description: 885SP 42" x 36" Inner Panel Part | |
| Part Number / Numéro Pièce: 885SP4236G | Detail Rev. / Rev.: 0 |

| Qty | Part Number | Rev | Description | Material | Color | Finish |
|-----|--------------|-----|----------------------------------|--------------------------|-----------|------------|
| 1 | 885SP4236G-P | 0 | 885SP 42" x 36" Inner Panel Part | 12 Ga Galvanized (2.5mm) | Unpainted | Galvanized |

Parts List

1
1