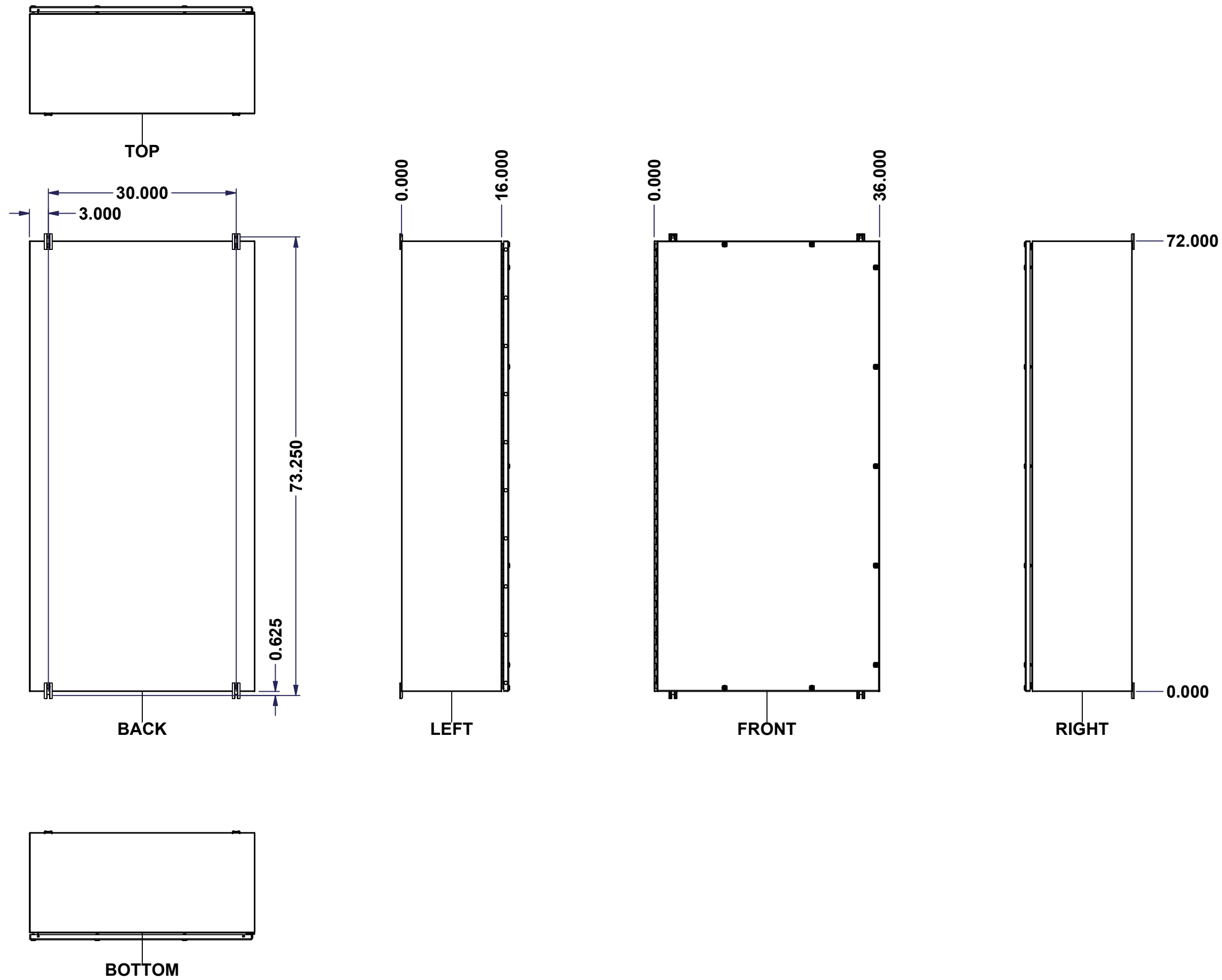
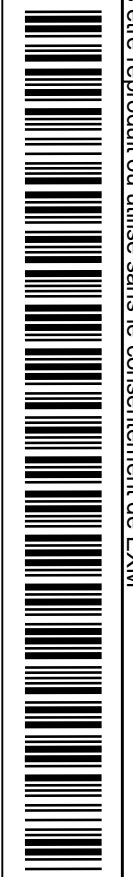
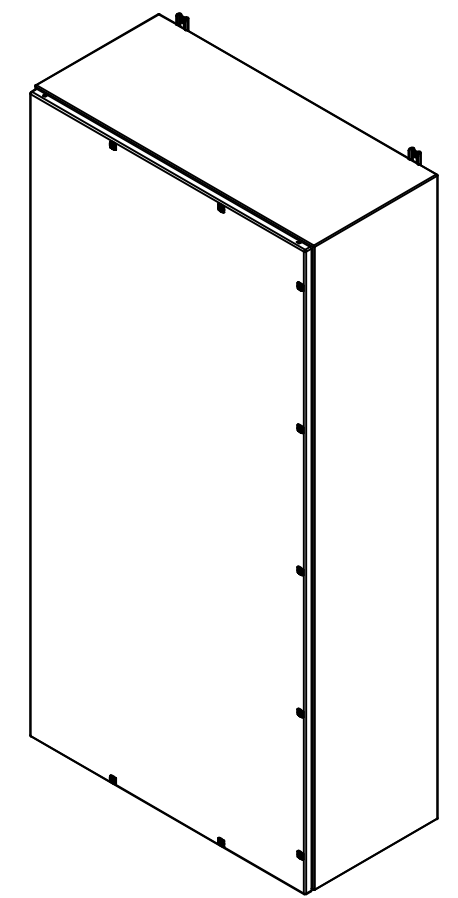


This drawing is confidential and must not be reproduced or used without the consent of EXM


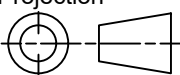
Ce dessin est confidentiel et ne doit pas être reproduit ou utilisé sans le consentement de EXM



| No. | Revisions | Date | By/Par |
|-----|-----------|------|--------|
|     |           |      |        |
|     |           |      |        |
|     |           |      |        |
|     |           |      |        |



Isometric View

|  |   |   |
|--|---|---|
|  Tél: (450) 979-4373<br>Fax: (450) 979-4626<br><a href="http://www.exmweb.com">www.exmweb.com</a> |   | Flatness<br>Aplatissement<br>Max 3.0mm<br>Projection<br> |
| Customer Client  | Date                                      |   |
| Drawn By<br>Dessiné Par  | BoxCad: BoxCad                            | Date 25-Dec-24  |
| Material<br>Matière  | 14 Ga Cold Rolled A1008 CS Type B (1.7mm) |   |
| Color<br>Couleur   | Asa-61 Grey                               | Finish<br>Fini Smooth   |
| Description  | Detail Rev.                               |   |
| 5412ESEL 72" x 36" x 16" Assembly  |   |   |
| Part Number<br>Numéro Pièce  | Rev.                                      | 1   |
| 5412ESEL723616   | 0   | 9   |

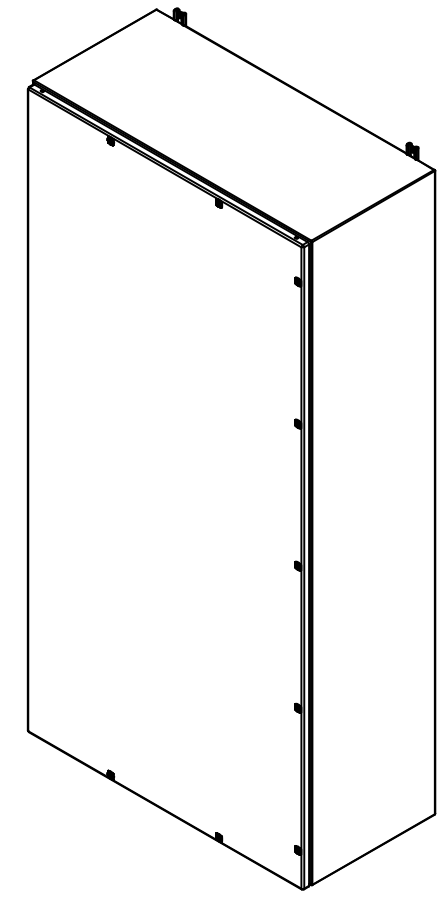
SEE BILL OF MATERIAL ON LAST PAGE

This drawing is confidential and must not be reproduced or used without the consent of EXM

Ce dessin est confidentiel et ne doit pas être reproduit ou utilisé sans le consentement de EXM

| NOTE |  |
|------|--|
| ITEM | DESCRIPTION                                |
| 1    | NEMA 4, 12 Enclosure (IP66)                |
| 2    | C/W Standard ground studs on box and cover |
| 3    | W/O Standard door stiffener                |
| 4    | C/W Standard inner panel (Included)        |
| 5    | C/W Standard inner panel mounting studs    |
| 6    | C/W 885 ESMF1_OPEN Sold separately (Kit)   |
| 7    | C/W 885 ESMF1_CLOSE Sold separately (Kit)  |

| No. | Revisions | Date | By/Par |
|-----|-----------|------|--------|
|     |           |      |        |
|     |           |      |        |
|     |           |      |        |
|     |           |      |        |
|     |           |      |        |
|     |           |      |        |



Isometric View



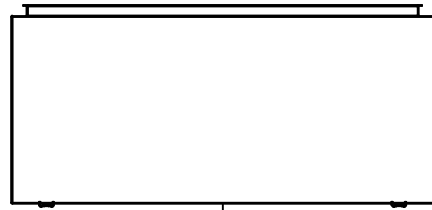
| PACKING               |     |  |
|-----------------------|-----|--|
| ITEM                  | QTY | DESCRIPTION                                    |
| Cardboard sleeve      | 2   | Top and Bottom                                 |
| Cardboard strip       | 2   | Between back of enclosure and inner panel      |
| Plastic bag           | 1   | To protect cover surface and inside gasket     |
| Cardboard corner      | 4   | To reinforced for the plastic strap tightening |
| Plastic strap - Black | 2   | To Squeeze 2 cardboard sleeve together         |
| Packaging label       | 3   | White label with PN                            |
| Plastic strap- Green  | 2   | To secure the enclosure to the wood pallet     |
| Wood Pallet           | 1   | 2" deeper and 3" larger than enclosure size    |

|            |                    |     |   |
|------------|--------------------|-----|---|
| 1          | 885SP7236G         | 0   | 885SP 72" x 36" Inner Panel Part                        |
| 4          | STK-K-01320        | 0   | 5412 ES Inner Panel Accessory Kit                       |
| 1          | STK-K-01800        | 5   | 5412 ES Accessory Kit                                   |
| 10         | RIVET_NUT_M6_FH_CE | 0   | Rivet Nut M6 (Low Profile Close End)                    |
| 1          | 5412ESEL723616C    | 0   | 5412ESEL 72" x 36" Cover                                |
| 1          | 5412ESEL723616B    | 0   | 5412ESEL 72" x 36" x 16" Body                           |
| 10         | STK-Q-04050-14     | 5   | M6 x 14mm Hexagon Socket Head Machine Screw with Nyseal |
| Qty        | Part Number        | Rev | Description   |
| Parts List |                    |     |   |

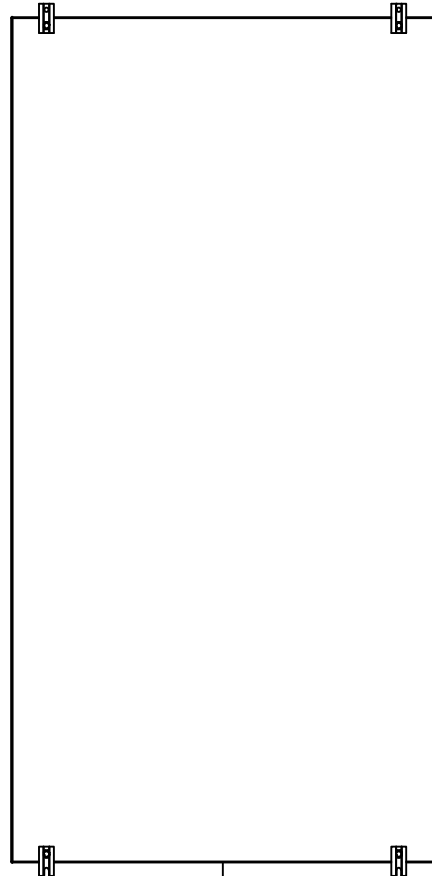
|   |  |
|---|--|
|   | Flatness<br>Aplatissement<br>Max 3.0mm |
|   | Projection<br>                         |
| Customer Client   | Date                                   |
| Drawn By<br>Dessiné Par BoxCad: BoxCad                        | Date 25-Dec-24                         |
| Material<br>Matière 14 Ga Cold Rolled A1008 CS Type B (1.7mm) | Color<br>Couleur Asa-61 Grey           |
| Description<br>5412ESEL 72" x 36" x 16" Assembly              | Finish<br>Fini Smooth                  |
| Part Number<br>Numéro Pièce <b>5412ESEL723616</b>             | Detail Rev.<br>Rev. 2<br>0             |

This drawing is confidential and must not be reproduced or used without the consent of EXM

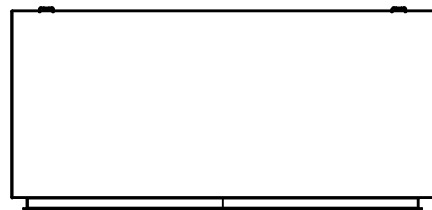
Ce dessin est confidentiel et ne doit pas être reproduit ou utilisé sans le consentement de EXM



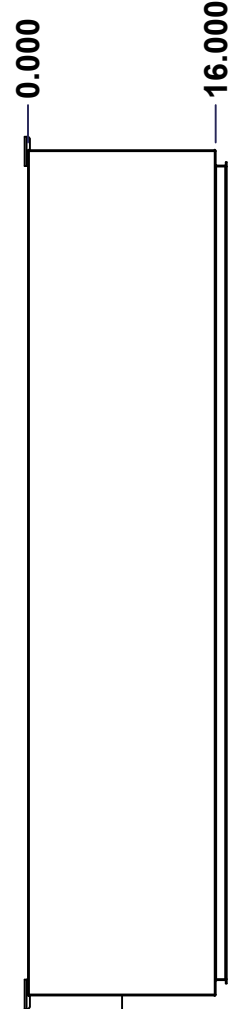
TOP



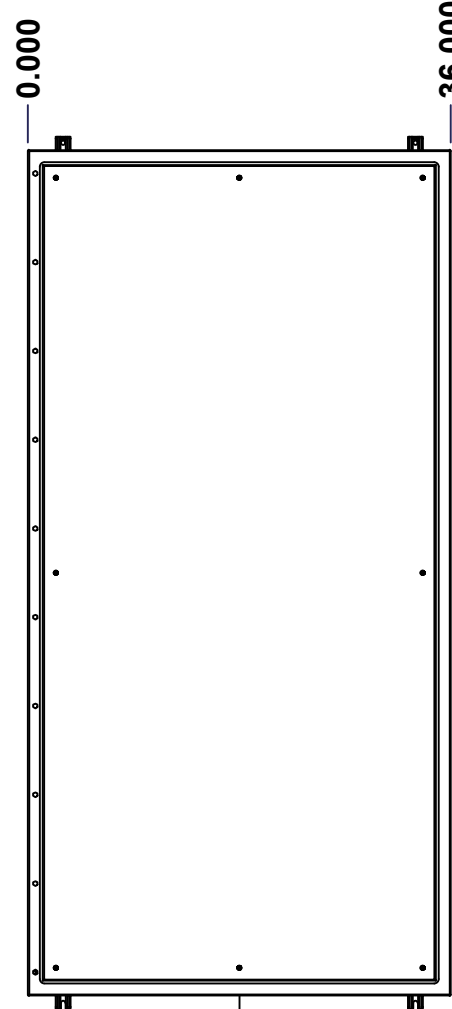
BACK



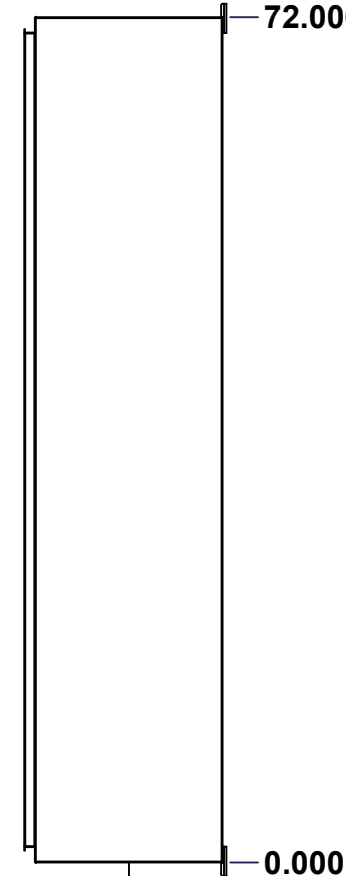
BOTTOM



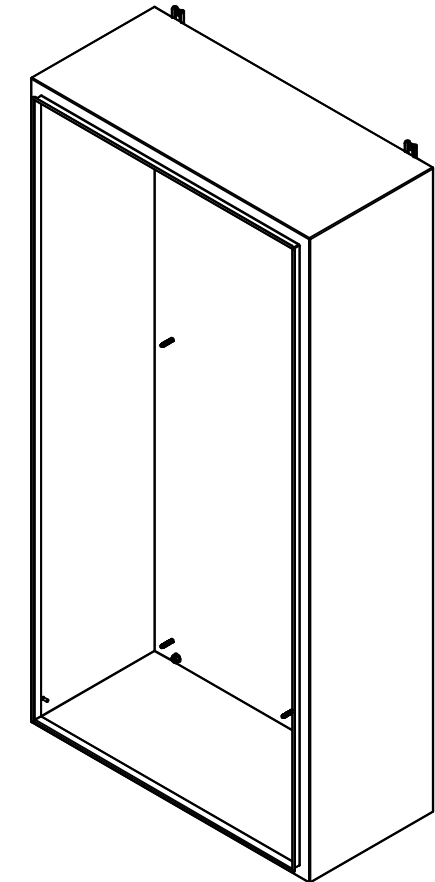
LEFT



FRONT




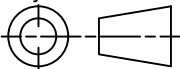
RIGHT



Isometric View



| No. | Revisions | Date | By/Par |
|-----|-----------|------|--------|
|     |           |      |        |
|     |           |      |        |
|     |           |      |        |
|     |           |      |        |

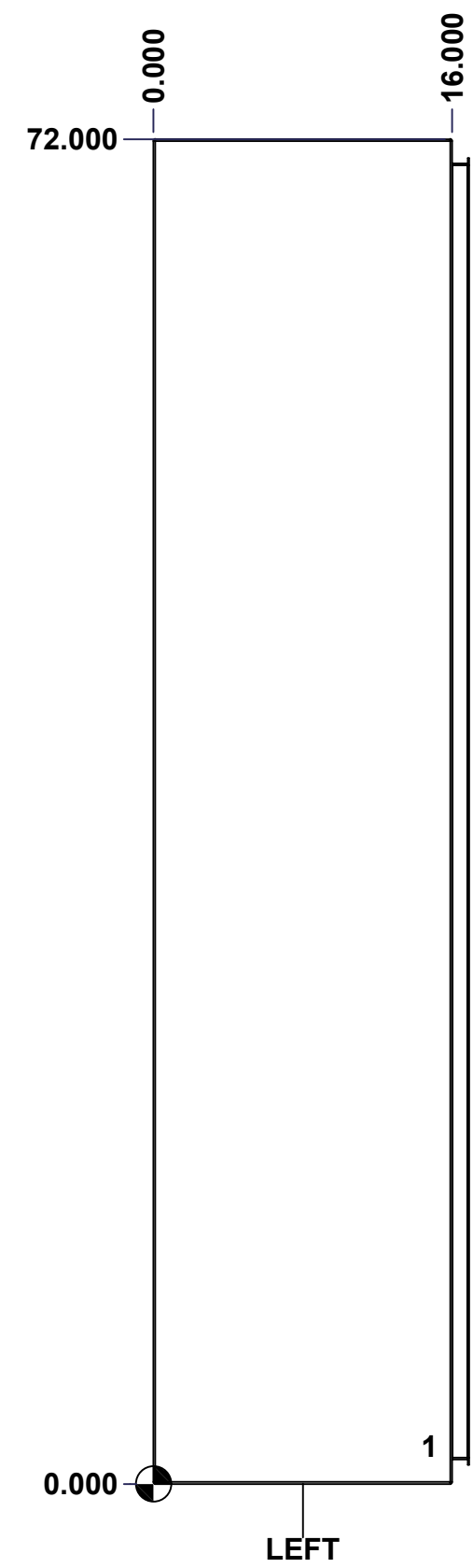
|  |   |   |
|--|---|---|
|  Tél: (450) 979-4373<br>Fax: (450) 979-4626<br><a href="http://www.exmweb.com">www.exmweb.com</a> |   | Flatness<br>Aplatissement<br>Max 3.0mm<br>Projection<br> |
| Customer Client  | Date                                      |   |
| Drawn By<br>Dessiné Par  | BoxCad: BoxCad                            | Date 25-Dec-24  |
| Material<br>Matière  | 14 Ga Cold Rolled A1008 CS Type B (1.7mm) |   |
| Color<br>Couleur   | Asa-61 Grey                               | Finish<br>Fini Smooth   |
| Description  | Detail Rev.                               |   |
| 5412ESEL 72" x 36" x 16" Body  |   |   |
| Part Number<br>Numéro Pièce  | Rev.                                      | 3   |
| 5412ESEL723616B  | 0   | 9   |

SEE BILL OF MATERIAL ON LAST PAGE

This drawing is confidential and must not be reproduced or used without the consent of EXM

Ce dessin est confidentiel et ne doit pas être reproduit ou utilisé sans le consentement de EXM

| <b>STANDARD FEATURES ARE NOT LISTED IN THIS HOLE TABLE</b> |        |       |                             |
|--|--------|-------|-----------------------------|
| <b>HOLE TABLE - LEFT VIEW (CUSTOM FEATURE ONLY)</b>        |        |       |                             |
| CUT-OUT  | XDIM   | YDIM  | DESCRIPTION                 |
| 1  | 14.500 | 2.000 | GND STUD M6 x 16mm (Inside) |



|  |                               |          |        |
|--|-------------------------------|----------|--------|
|  | Description                   | Status   |        |
|  | 5412ESEL 72" x 36" x 16" Body | (NULL)   |        |
|  | Part Number<br>Numéro Pièce   | Rev.     |        |
|  | <b>5412ESEL723616B</b>        | <b>0</b> | 4<br>9 |

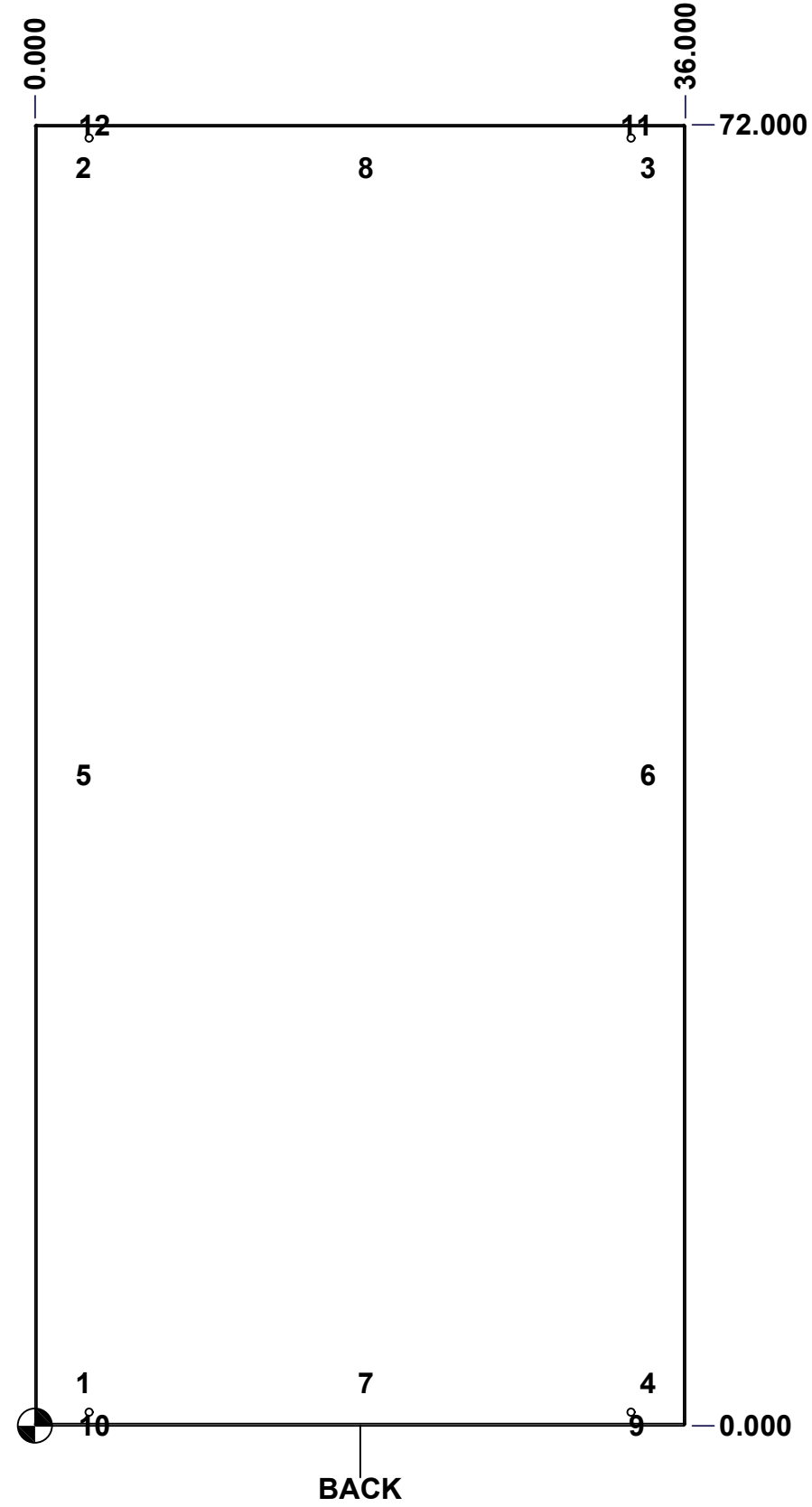
This drawing is confidential and must not be reproduced or used without the consent of EXM

Ce dessin est confidentiel et ne doit pas être reproduit ou utilisé sans le consentement de EXM

**STANDARD FEATURES ARE NOT LISTED IN THIS HOLE TABLE**

**HOLE TABLE - BACK VIEW (CUSTOM FEATURE ONLY)**

| CUT-OUT | XDIM   | YDIM   | DESCRIPTION                |
|---------|--------|--------|----------------------------|
| 1       | 2.375  | 2.375  | IP STUD M8 x 35mm (Inside) |
| 2       | 2.375  | 69.625 | IP STUD M8 x 35mm (Inside) |
| 3       | 33.625 | 69.625 | IP STUD M8 x 35mm (Inside) |
| 4       | 33.625 | 2.375  | IP STUD M8 x 35mm (Inside) |
| 5       | 2.375  | 36.000 | IP STUD M8 x 35mm (Inside) |
| 6       | 33.625 | 36.000 | IP STUD M8 x 35mm (Inside) |
| 7       | 18.000 | 2.375  | IP STUD M8 x 35mm (Inside) |
| 8       | 18.000 | 69.625 | IP STUD M8 x 35mm (Inside) |
| -----   |        |        |                            |
| 9       | 33.000 | 0.000  | FOOT 885 ESMF1_OPEN        |
| 10      | 3.000  | 0.000  | FOOT 885 ESMF1_OPEN        |
| 11      | 33.000 | 72.000 | FOOT 885 ESMF1_CLOSE       |
| 12      | 3.000  | 72.000 | FOOT 885 ESMF1_CLOSE       |

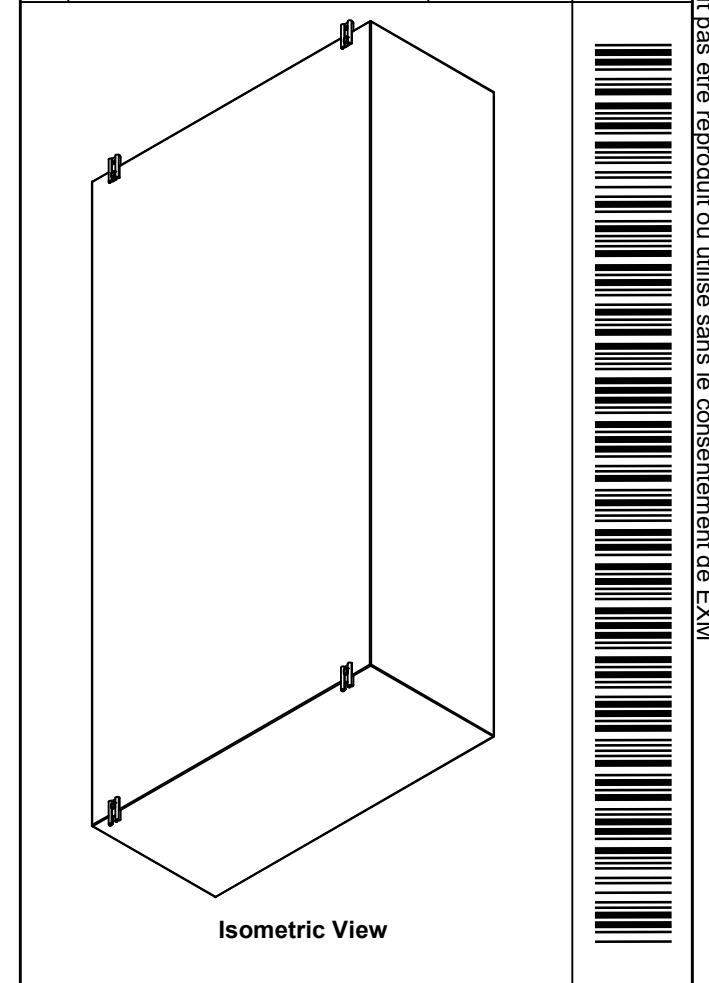


|   |                               |        |
|---|-------------------------------|--------|
|   | Description                   | Status |
|   | 5412ESEL 72" x 36" x 16" Body | (NULL) |
| Part Number<br>Numéro Pièce<br><b>5412ESEL723616B</b> | Rev.                          | 5      |
|   | <b>0</b>                      | 9      |

This drawing is confidential and must not be reproduced or used without the consent of EXM

Ce dessin est confidentiel et ne doit pas être reproduit ou utilisé sans le consentement de EXM

| No. | Revisions | Date | By/Par |
|-----|-----------|------|--------|
|     |           |      |        |
|     |           |      |        |
|     |           |      |        |
|     |           |      |        |
|     |           |      |        |

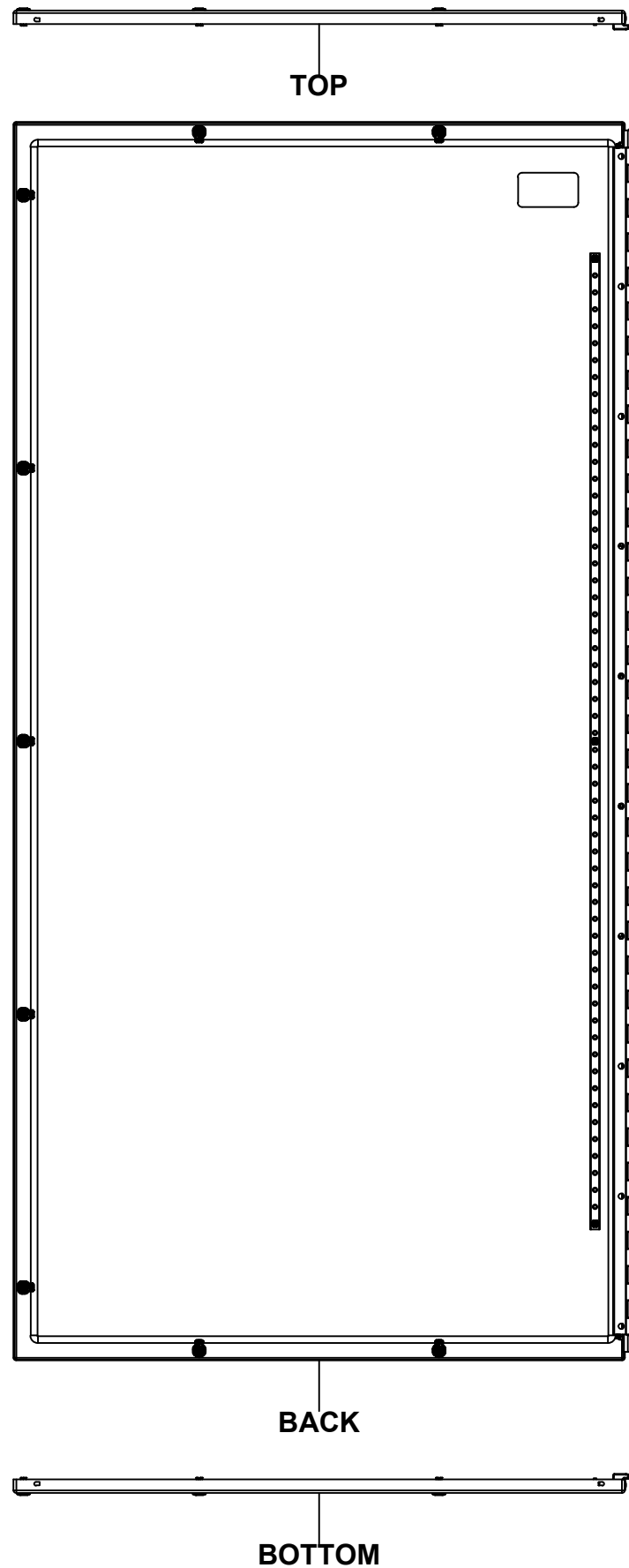


|  |  |                           |             |
|--|--|---------------------------|-------------|
| Tél: (450) 979-4373<br>Fax: (450) 979-4626<br><a href="http://www.exmweb.com">www.exmweb.com</a> |  | Flatness<br>Aplatissement |             |
|  |  | Max 3.0mm                 |             |
| Customer<br>Client   |  | Date                      |             |
| Drawn By<br>Dessiné Par BoxCad: BoxCad   |  | Date 25-Dec-24            |             |
| Material<br>Matière 14 Ga Cold Rolled A1008 CS Type B (1.7mm)                                    |  |                           |             |
| Color<br>Couleur Asa-61 Grey   |  | Finish<br>Fini Smooth     |             |
| Description<br>5412ESEL 72" x 36" x 16" Body   |  |                           | Detail Rev. |
| Part Number<br>Numéro Pièce<br><b>5412ESEL723616B</b>  |  | Rev.                      | 6           |
|  |  | <b>0</b>                  | 9           |

| Qty        | Part Number       | Rev | Description                         |
|------------|-------------------|-----|-------------------------------------|
| 1          | 885 ESMF1         | 0   | 885 ESMF1 Mounting Foot Kit         |
| 1          | STK-Q-16080       | 0   | Ground Stud M6 x 16mm Steel         |
| 1          | STK-P-02400S      | 0   | Powder Paint (Asa-61 Grey / Smooth) |
| 8          | STK-Q-16005       | 0   | Stud M8 x 35mm Steel                |
| 1          | 5412ESEL723616B-P | 0   | 5412ESEL 72" x 36" x 16" Body Part  |
| Parts List |                   |     |                                     |

This drawing is confidential and must not be reproduced or used without the consent of EXM

Ce dessin est confidentiel et ne doit pas être reproduit ou utilisé sans le consentement de EXM



| No. | Revisions | Date | By/Par |
|-----|-----------|------|--------|
|     |           |      |        |
|     |           |      |        |
|     |           |      |        |
|     |           |      |        |
|     |           |      |        |

Isometric View

|  |   |  |
|--|---|--|
| Tél: (450) 979-4373<br>Fax: (450) 979-4626<br><a href="http://www.exmweb.com">www.exmweb.com</a> |   | Flatness<br>Aplatissement<br>Max 3.0mm<br>Projection<br> |
| Customer Client  | Date                                      |  |
| Drawn By<br>Dessiné Par  | BoxCad: BoxCad                            | Date 25-Dec-24   |
| Material<br>Matière  | 14 Ga Cold Rolled A1008 CS Type B (1.7mm) |  |
| Color<br>Couleur   | Asa-61 Grey                               | Finish<br>Fini Smooth                                    |
| Description  |   | Detail Rev.  |
| 5412ESEL 72" x 36" Cover   |   |  |
| Part Number<br>Numéro Pièce  | Rev.                                      | 7  |
| 5412ESEL723616C  | 0   | 9  |

SEE BILL OF MATERIAL ON LAST PAGE

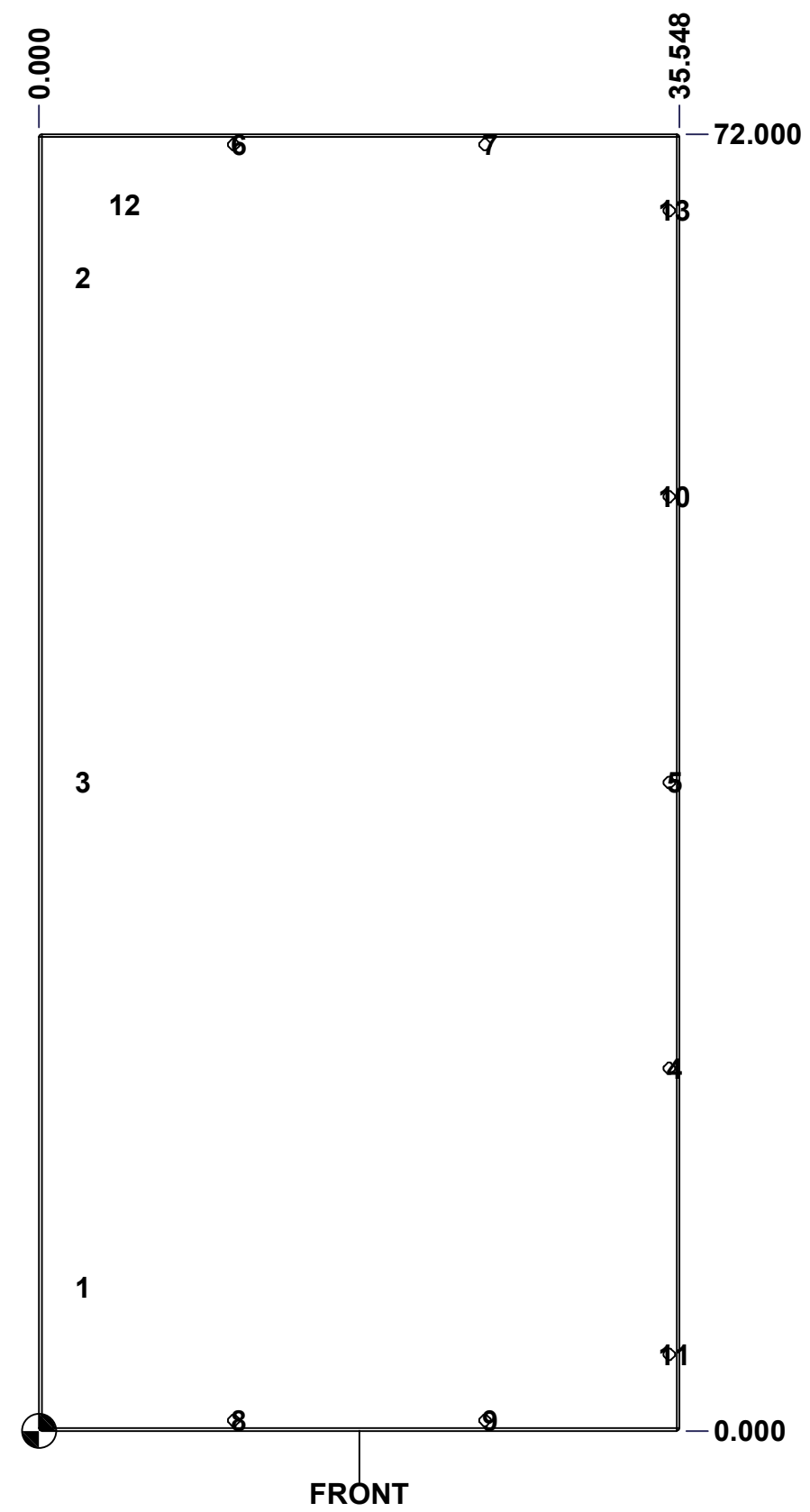
This drawing is confidential and must not be reproduced or used without the consent of EXM

Ce dessin est confidentiel et ne doit pas être reproduit ou utilisé sans le consentement de EXM

**STANDARD FEATURES ARE NOT LISTED IN THIS HOLE TABLE**

**HOLE TABLE - FRONT VIEW (CUSTOM FEATURE ONLY)**

| CUT-OUT | XDIM   | YDIM   | DESCRIPTION               |
|---------|--------|--------|---------------------------|
| 1       | 2.122  | 7.949  | STUD M6 x 18mm (Inside)   |
| 2       | 2.122  | 64.051 | STUD M6 x 18mm (Inside)   |
| 3       | 2.122  | 36.000 | STUD M6 x 18mm (Inside)   |
| -----   |        |        |                           |
| 4       | 34.968 | 20.125 | LOCK 880 SCQ5-SL @ 180.0° |
| 5       | 34.968 | 36.000 | LOCK 880 SCQ5-SL @ 180.0° |
| 6       | 10.800 | 71.420 | LOCK 880 SCQ5-SL @ 270.0° |
| 7       | 24.748 | 71.420 | LOCK 880 SCQ5-SL @ 270.0° |
| 8       | 10.800 | 0.580  | LOCK 880 SCQ5-SL @ 90.0°  |
| 9       | 24.748 | 0.580  | LOCK 880 SCQ5-SL @ 90.0°  |
| 10      | 34.968 | 51.875 | LOCK 880 SCQ5-SL @ 180.0° |
| 11      | 34.968 | 4.250  | LOCK 880 SCQ5-SL @ 180.0° |
| 12      | 4.458  | 68.053 | LABEL_EXM (Inside)        |
| 13      | 34.968 | 67.750 | LOCK 880 SCQ5-SL @ 180.0° |

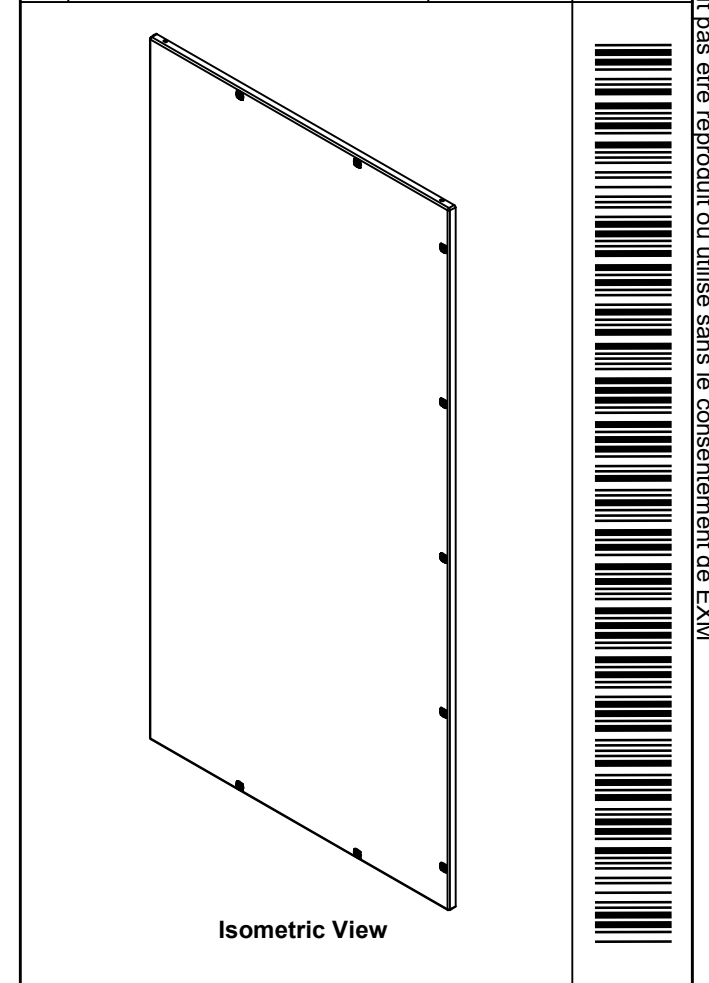


|   |                          |        |
|---|--------------------------|--------|
|   | Description              | Status |
|   | 5412ESEL 72" x 36" Cover | (NULL) |
| Part Number<br>Numéro Pièce<br><b>5412ESEL723616C</b> | Rev.                     | 8      |
|   | <b>0</b>                 | 9      |


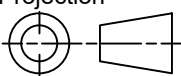
This drawing is confidential and must not be reproduced or used without the consent of EXM

Ce dessin est confidentiel et ne doit pas être reproduit ou utilisé sans le consentement de EXM

| No. | Revisions | Date | By/Par |
|-----|-----------|------|--------|
|     |           |      |        |
|     |           |      |        |
|     |           |      |        |
|     |           |      |        |
|     |           |      |        |

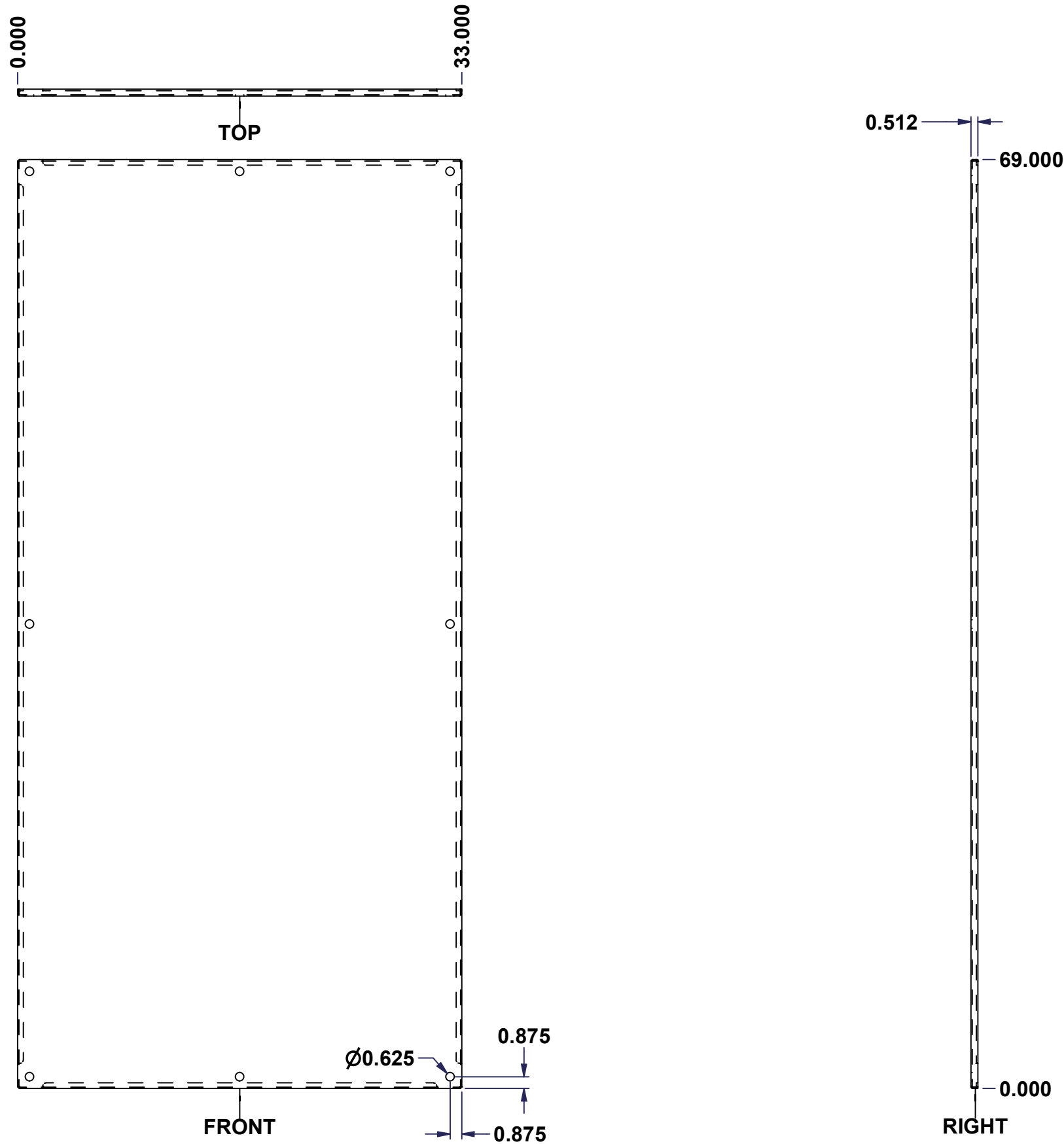


| 1          | STK-S-00100        | 0   | 3.5" x 2" Silver Milar Flexcon Sticker   |
|------------|--------------------|-----|--|
| 1          | STK-P-02400S       | 0   | Powder Paint (Asa-61 Grey / Smooth)      |
| 1          | STK-Q-46020-60     | 5   | 5412 ES Vertical Door Stiffener 60"      |
| 3          | STK-Q-16055        | 1   | M6 x 18mm Stud (No Paint Cap Required)   |
| 10         | STK-Q-00260        | 1   | M6 x 13mm Carriage Bolt                  |
| 1          | 5412ESEL723616HP-P | 0   | Piano Hinge Pin (Length= 71.181")        |
| 1          | 5412ESEL723616H1-P | 0   | 5412ESEL 72" x 36" Piano Hinge Part      |
| 1          | 5412ESEL723616H2-P | 0   | 5412ESEL 72" x 36" Piano Hinge Part      |
| 1          | 5412ESEL723616G    | 0   | 5412ESEL 72" x 36" Cover Gasket Part     |
| 1          | 5412ESEL723616C-P  | 0   | 5412ESEL 72" x 36" Cover Part            |
| 9          | 880 SCQ5-SL        |     | 5412 ESEL 1/4 Turn Lock                  |
| 3          | STK-Q-07220        | 1   | M6 Nylon Insert Lock Nut                 |
| 10         | STK-Q-07225        | 0   | M6 Stainless Steel Nylon Insert Lock Nut |
| QTY        | Part Number        | Rev | Description                              |
| Parts List |                    |     |  |

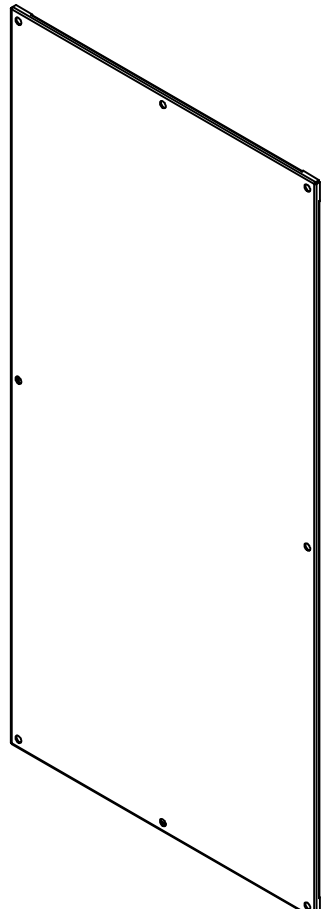
|  |   |   |
|--|---|---|
|  Tél: (450) 979-4373<br>Fax: (450) 979-4626<br><a href="http://www.exmweb.com">www.exmweb.com</a> |   | Flatness<br>Aplatissement<br>Max 3.0mm<br>Projection<br> |
| Customer<br>Client   | Date                                      | Date  |
| Drawn By<br>Dessiné Par  | BoxCad: BoxCad                            | Date 25-Dec-24  |
| Material<br>Matière  | 14 Ga Cold Rolled A1008 CS Type B (1.7mm) |   |
| Color<br>Couleur   | Asa-61 Grey                               | Finish<br>Fini Smooth   |
| Description  |   | Detail Rev.   |
| 5412ESEL 72" x 36" Cover   |   |   |
| Part Number<br>Numéro Pièce  | Rev.                                      | 9   |
| <b>5412ESEL723616C</b>   | <b>0</b>                                  | 9   |

This drawing is confidential and must not be reproduced or used without the consent of EXM


Ce dessin est confidentiel et ne doit pas être reproduit ou utilisé sans le consentement de EXM


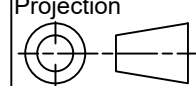


| No. | Revisions | Date | By/Par |
|-----|-----------|------|--------|
|     |           |      |        |
|     |           |      |        |
|     |           |      |        |
|     |           |      |        |
|     |           |      |        |



**Isometric View**



|  |  |   |                    |
|--|--|---|--------------------|
|             |  | Flatness<br>Aplatissement<br>Max 3.0mm  |                    |
| Tél: (450) 979-4373<br>Fax: (450) 979-4626<br><a href="http://www.exmweb.com">www.exmweb.com</a> |  | Projection<br> |                    |
| Customer Client  |  | Date  |                    |
| Drawn By<br>Dessiné Par BoxCad: nickz  |  | Date 01/03/2017   |                    |
| Material<br>Matière 12 Ga Galvanized (2.5mm)   |  |   |                    |
| Color<br>Couleur See Part List   |  | Finish<br>Fini See Part List  |                    |
| Description<br>885SP 72" x 36" Inner Panel Part  |  |   | Detail Rev.        |
| Part Number<br>Numéro Pièce <b>885SP7236G</b>  |  |   | Rev. 1<br><b>0</b> |

| Qty | Part Number  | Rev | Description                      | Material                 | Color     | Finish     |
|-----|--------------|-----|----------------------------------|--------------------------|-----------|------------|
| 1   | 885SP7236G-P | 0   | 885SP 72" x 36" Inner Panel Part | 12 Ga Galvanized (2.5mm) | Unpainted | Galvanized |

Parts List