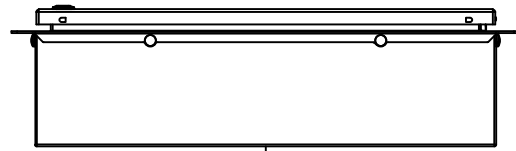
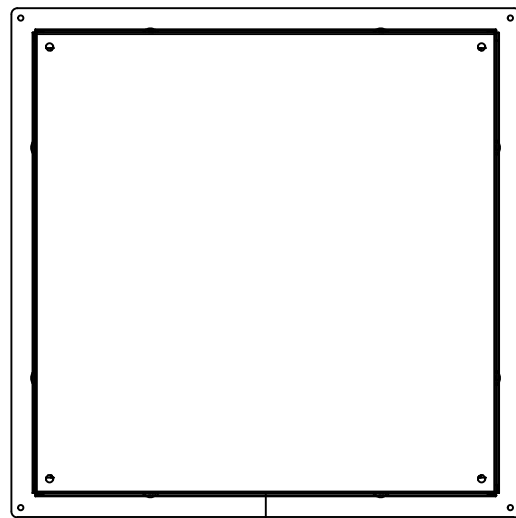


This drawing is confidential and must not be reproduced or used without the consent of EXM

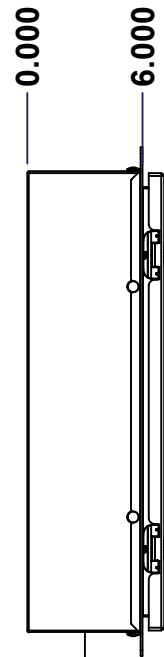
Ce dessin est confidentiel et ne doit pas être reproduit ou utilisé sans le consentement de EXM



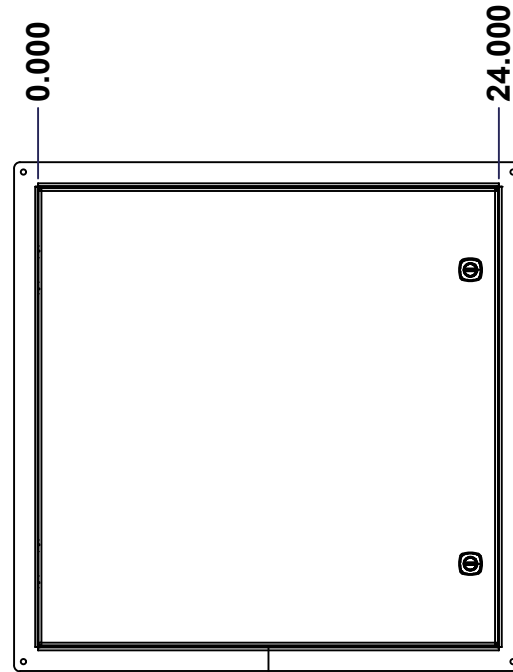
TOP



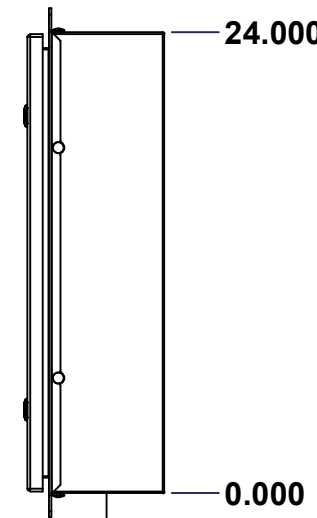
BACK



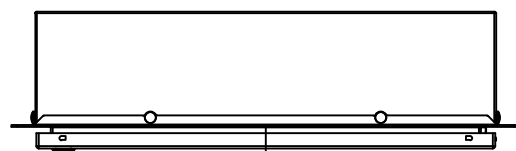
LEFT



FRONT

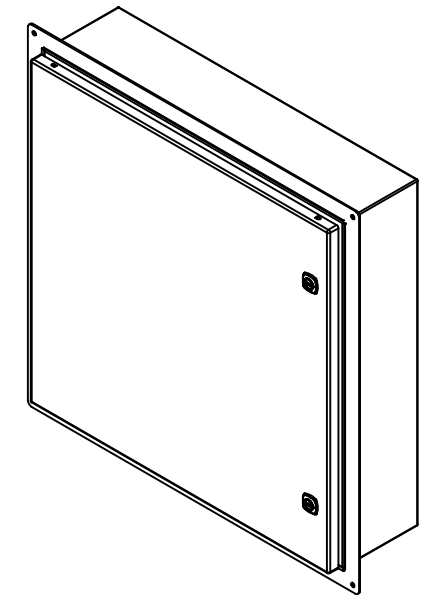


RIGHT



BOTTOM

| No. | Revisions | Date | By/Par |
|-----|-----------|------|--------|
|     |           |      |        |
|     |           |      |        |
|     |           |      |        |
|     |           |      |        |
|     |           |      |        |



Isometric View



Tél: (450) 979-4373  
 Fax: (450) 979-4626  
[www.exmweb.com](http://www.exmweb.com)

Flatness  
Aplatissement

Max 3.0mm

Projection



|   |                       |
|---|-----------------------|
| Customer Client   | Date                  |
| Drawn By<br>Dessiné Par BoxCad: BoxCad                        | Date 23-Dec-24        |
| Material<br>Matière 16 Ga Cold Rolled A1008 CS Type B (1.4mm) |                       |
| Color<br>Couleur Asa-61 Grey                                  | Finish<br>Fini Smooth |
| Description<br>5412ESFM 24" x 24" x 6" Assembly               | Detail Rev.           |
| Part Number<br>Numéro Pièce <b>5412ESFM242406TH</b>           | Rev. <b>0</b>         |

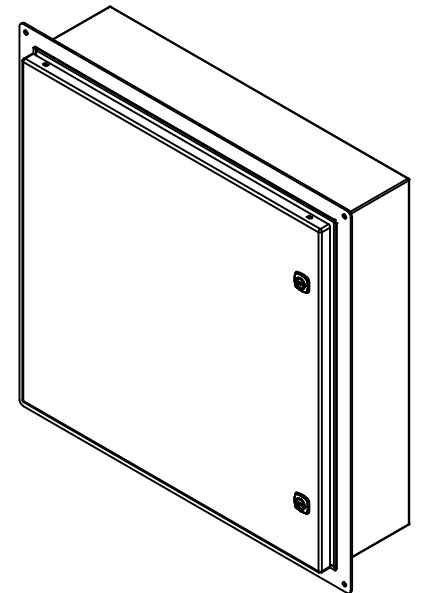
SEE BILL OF MATERIAL ON LAST PAGE

This drawing is confidential and must not be reproduced or used without the consent of EXM

Ce dessin est confidentiel et ne doit pas être reproduit ou utilisé sans le consentement de EXM

| NOTE |  |
|------|--|
| ITEM | DESCRIPTION                                    |
| 1    | NEMA 4, 12 Enclosure (IP66)                    |
| 2    | C/W Standard ground studs on box and cover     |
| 3    | C/W Standard door stiffener                    |
| 4    | C/W Standard inner panel (Included)            |
| 5    | C/W Standard inner panel mounting studs        |
| 6    | C/W R5 Insulation (Installed aluminum visible) |

| No. | Revisions | Date | By/Par |
|-----|-----------|------|--------|
|     |           |      |        |
|     |           |      |        |
|     |           |      |        |
|     |           |      |        |
|     |           |      |        |
|     |           |      |        |



Isometric View



Tél: (450) 979-4373  
 Fax: (450) 979-4626  
[www.exmweb.com](http://www.exmweb.com)



|   |                 |
|---|-----------------|
| Customer Client   | Date            |
| Drawn By / Dessiné Par: BoxCad: BoxCad                        | Date: 23-Dec-24 |
| Material / Matière: 16 Ga Cold Rolled A1008 CS Type B (1.4mm) |                 |

|   |                       |
|---|-----------------------|
| Color / Couleur: Asa-61 Grey                        | Finish / Fini: Smooth |
| Description: 5412ESFM 24" x 24" x 6" Assembly       | Detail Rev.           |
| Part Number / Numéro Pièce: <b>5412ESFM242406TH</b> | Rev. 0                |

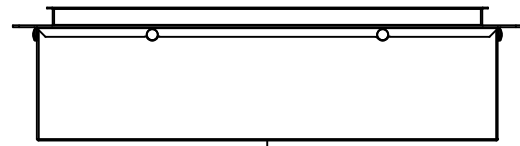
| PACKING               |     |  |
|-----------------------|-----|--|
| ITEM                  | QTY | DESCRIPTION                                |
| Cardboard sleeve      | 2   | Top and Bottom                             |
| Cardboard strip       | 2   | Between back of enclosure and inner panel  |
| Plastic bag           | 1   | To protect cover surface and inside gasket |
| Plastic strap - Black | 2   | To Squeeze the 2 cardboard sleeve together |
| Packaging label       | 1   | White label with product number            |

| Qty | Part Number       | Rev | Description                                |
|-----|-------------------|-----|--|
| 4   | STK-Q-00600       | 2   | M12 to M8 Adaptor                          |
| 1   | 881 SP2424G       | 0   | 881 SP - Inner Panel                       |
| 1   | STK-K-01800       | 5   | 5412 ES Accessory Kit                      |
| 1   | 5412ESFM242406THC | 0   | 5412ESFM 24" x 24" Cover                   |
| 1   | 5412ESFM242406THB | 0   | 5412ESFM 24" x 24" x 6" Body               |
| 2   | STK-Q-04050-08    | 0   | M6 x 8mm Hexagon Socket Head Machine Screw |

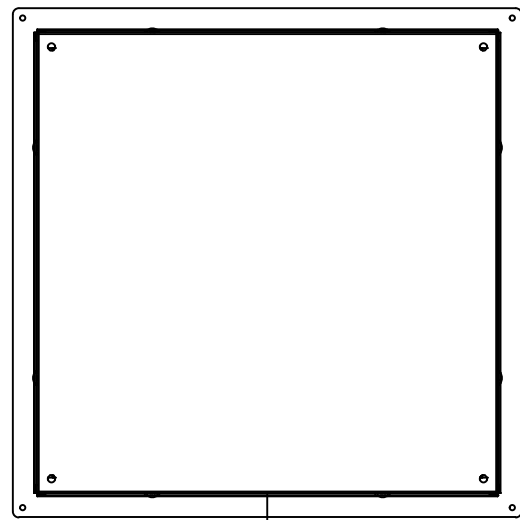
Parts List

This drawing is confidential and must not be reproduced or used without the consent of EXM

Ce dessin est confidentiel et ne doit pas être reproduit ou utilisé sans le consentement de EXM



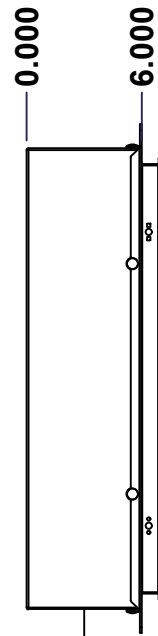
TOP



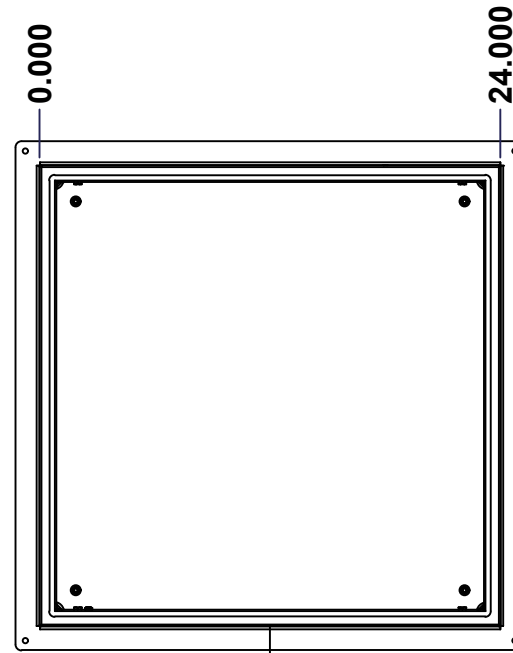
BACK



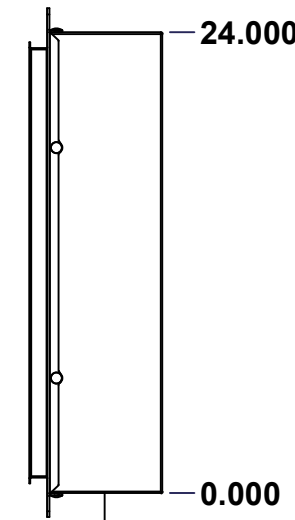
BOTTOM



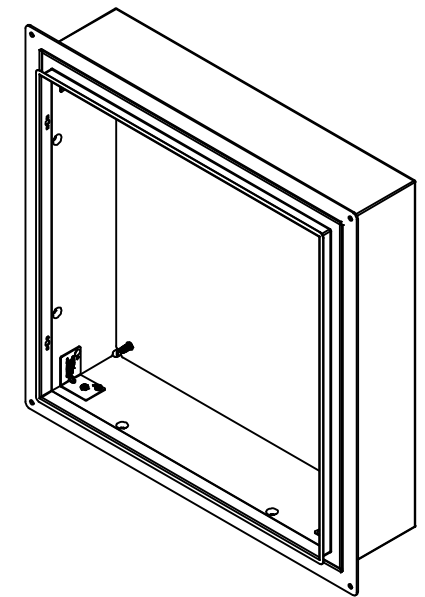
LEFT



FRONT




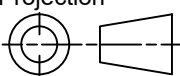
RIGHT



Isometric View



| No. | Revisions | Date | By/Par |
|-----|-----------|------|--------|
|     |           |      |        |
|     |           |      |        |
|     |           |      |        |
|     |           |      |        |
|     |           |      |        |

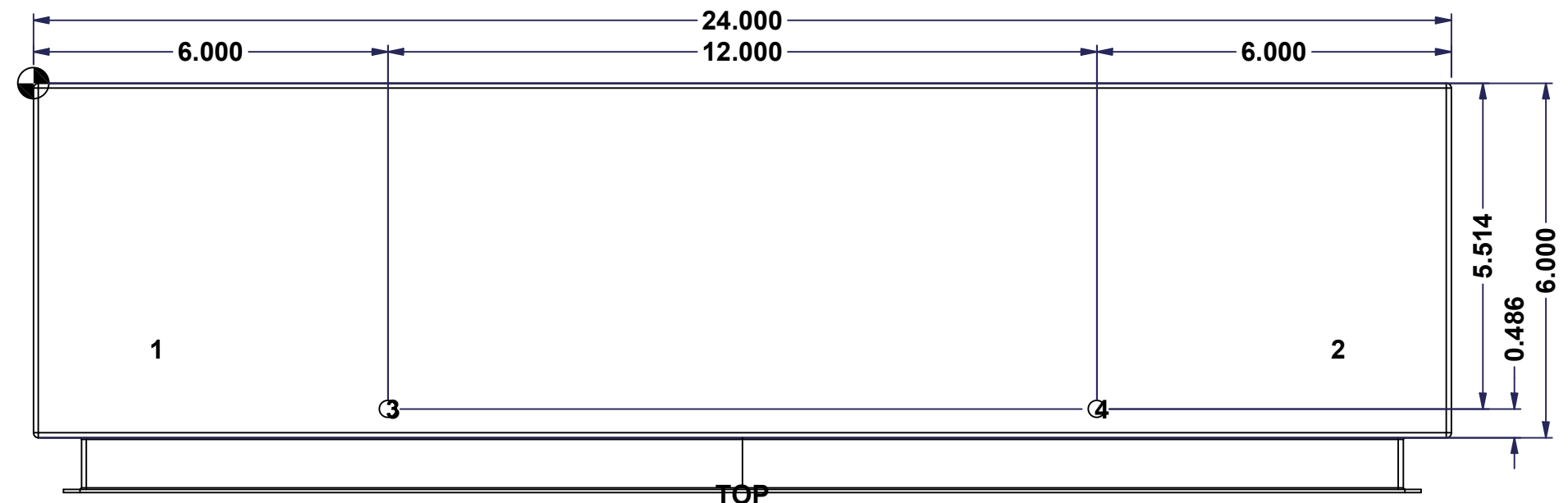
|  |                       |   |
|--|-----------------------|---|
|  Tél: (450) 979-4373<br>Fax: (450) 979-4626<br><a href="http://www.exmweb.com">www.exmweb.com</a> |                       | Flatness<br>Aplatissement<br>Max 3.0mm<br>Projection<br> |
| Customer Client  | Date                  |   |
| Drawn By / Dessiné Par: BoxCad: BoxCad   | Date: 23-Dec-24       |   |
| Material / Matière: 16 Ga Cold Rolled A1008 CS Type B (1.4mm)  |                       |   |
| Color / Couleur: Asa-61 Grey   | Finish / Fini: Smooth |   |
| Description: 5412ESFM 24" x 24" x 6" Body  | Detail Rev.           |   |
| Part Number / Numéro Pièce: 5412ESFM242406THB  | Rev. 0                | 3 / 19  |

SEE BILL OF MATERIAL ON LAST PAGE

This drawing is confidential and must not be reproduced or used without the consent of EXM

Ce dessin est confidentiel et ne doit pas être reproduit ou utilisé sans le consentement de EXM

| STANDARD FEATURES ARE NOT LISTED IN THIS HOLE TABLE |        |       |                                |
|---|--------|-------|--------------------------------|
| HOLE TABLE - TOP VIEW (CUSTOM FEATURE ONLY)         |        |       |                                |
| CUT-OUT   | XDIM   | YDIM  | DESCRIPTION                    |
| 1   | 2.000  | 4.500 | INSUL. STUD M6 x 18mm (Inside) |
| 2   | 22.000 | 4.500 | INSUL. STUD M6 x 18mm (Inside) |
| -----   |        |       |                                |
| 3   | 6.000  | 5.514 | RND Ø0.290                     |
| 4   | 18.000 | 5.514 | RND Ø0.290                     |

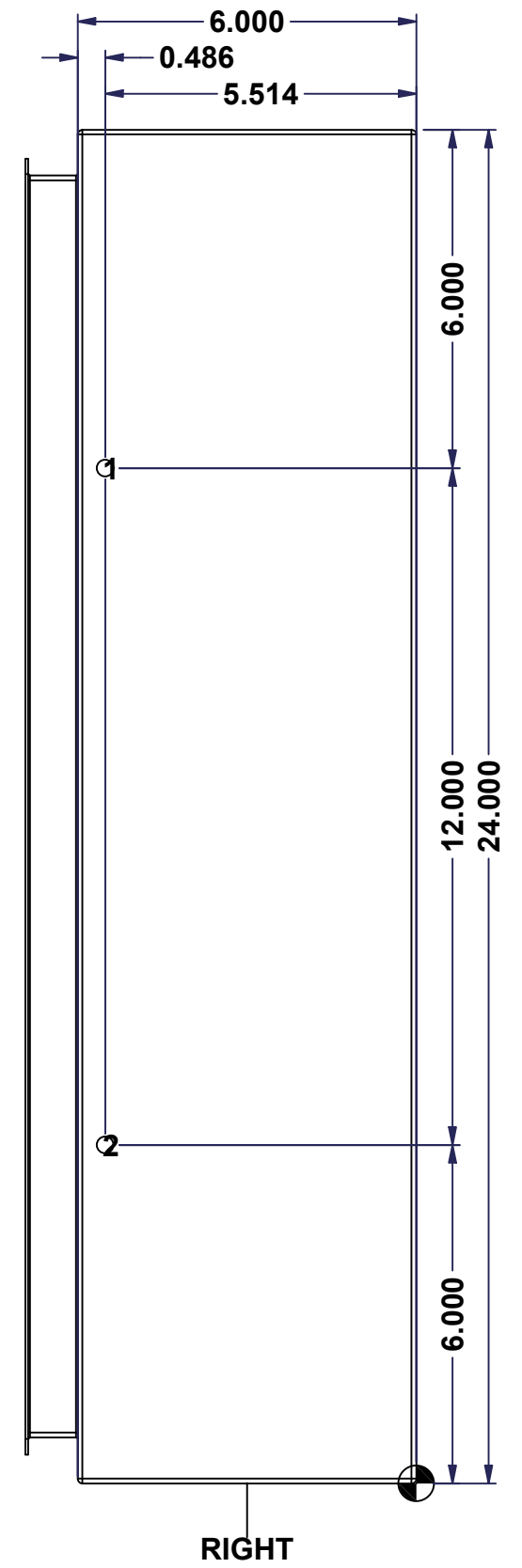


|  |                              |          |    |
|--|------------------------------|----------|----|
|  | Description                  | Status   |    |
|  | 5412ESFM 24" x 24" x 6" Body | (NULL)   |    |
|  | Part Number<br>Numéro Pièce  | Rev.     | 4  |
|  | <b>5412ESFM242406THB</b>     | <b>0</b> | 19 |

This drawing is confidential and must not be reproduced or used without the consent of EXM

Ce dessin est confidentiel et ne doit pas être reproduit ou utilisé sans le consentement de EXM

| STANDARD FEATURES ARE NOT LISTED IN THIS HOLE TABLE |       |        |             |
|---|-------|--------|-------------|
| HOLE TABLE - RIGHT VIEW (CUSTOM FEATURE ONLY)       |       |        |             |
| CUT-OUT   | XDIM  | YDIM   | DESCRIPTION |
| 1   | 5.514 | 18.000 | RND Ø0.290  |
| 2   | 5.514 | 6.000  | RND Ø0.290  |

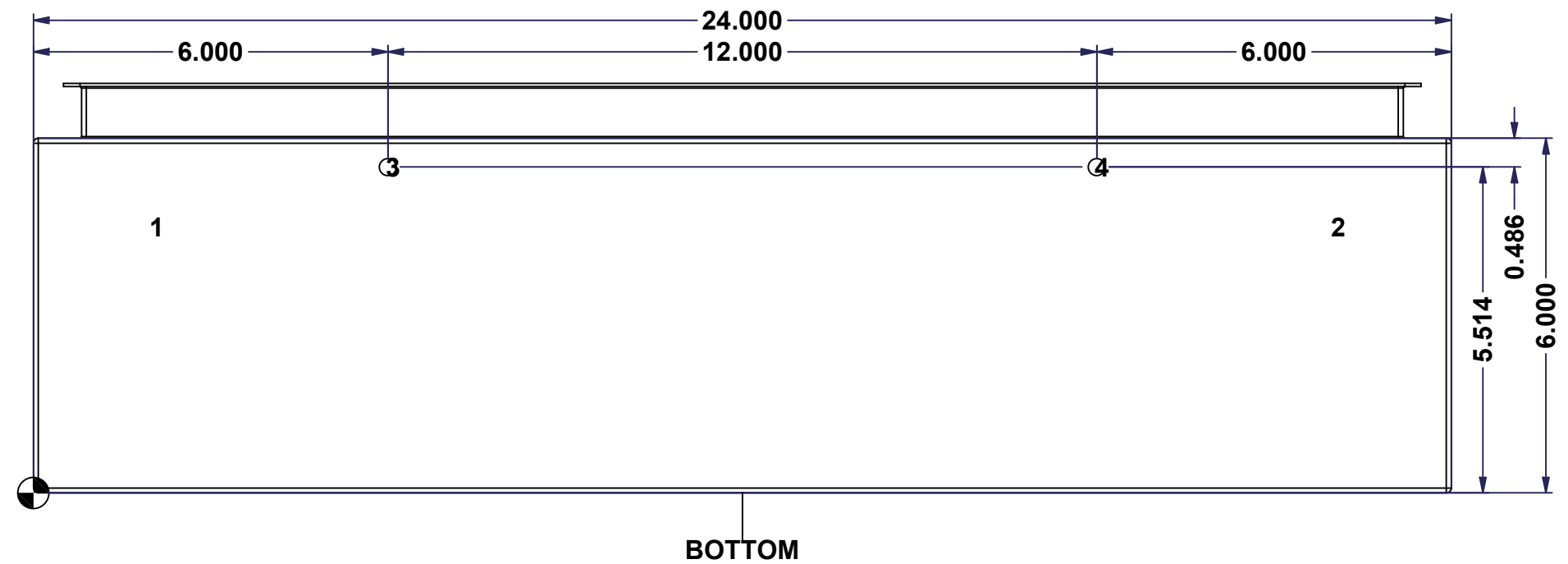


|  |                              |          |
|--|------------------------------|----------|
|  | Description                  | Status   |
|  | 5412ESFM 24" x 24" x 6" Body | (NULL)   |
|  | Part Number<br>Numéro Pièce  | Rev.     |
|  | <b>5412ESFM242406THB</b>     | <b>0</b> |
|  |                              | 5        |
|  |                              | 19       |

This drawing is confidential and must not be reproduced or used without the consent of EXM

Ce dessin est confidentiel et ne doit pas être reproduit ou utilisé sans le consentement de EXM

| STANDARD FEATURES ARE NOT LISTED IN THIS HOLE TABLE |        |       |                                |
|---|--------|-------|--------------------------------|
| HOLE TABLE - BOTTOM VIEW (CUSTOM FEATURE ONLY)      |        |       |                                |
| CUT-OUT   | XDIM   | YDIM  | DESCRIPTION                    |
| 1   | 2.000  | 4.500 | INSUL. STUD M6 x 18mm (Inside) |
| 2   | 22.000 | 4.500 | INSUL. STUD M6 x 18mm (Inside) |
| -----   |        |       |                                |
| 3   | 6.000  | 5.514 | RND Ø0.290                     |
| 4   | 18.000 | 5.514 | RND Ø0.290                     |

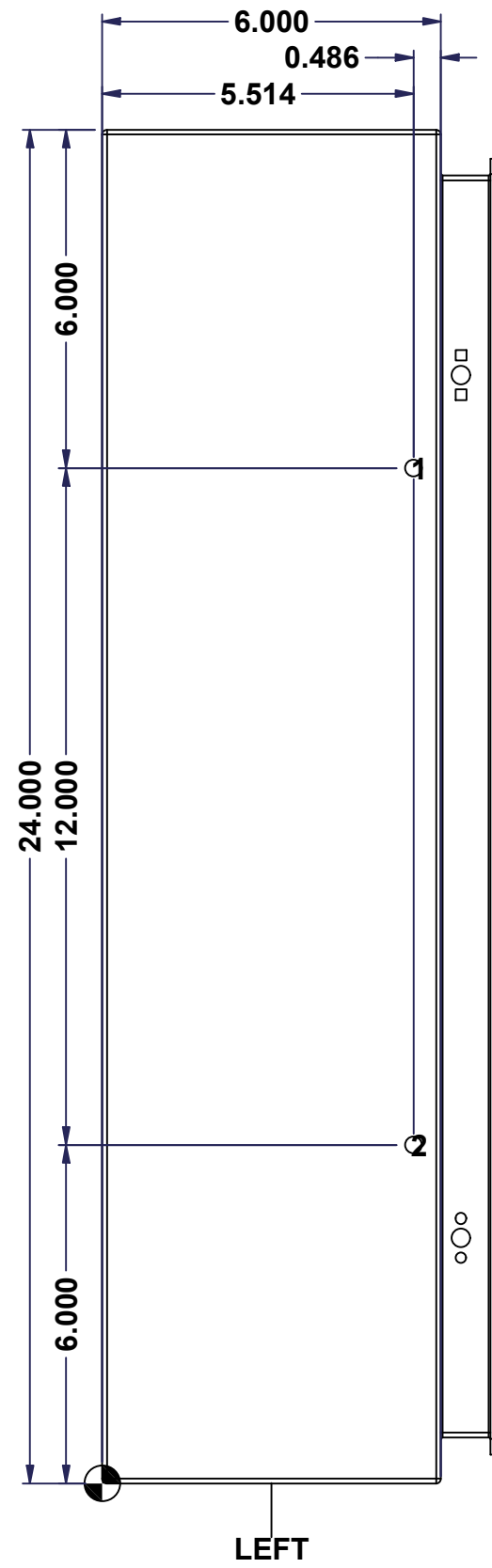


|  |                              |          |
|--|------------------------------|----------|
|  | Description                  | Status   |
|  | 5412ESFM 24" x 24" x 6" Body | (NULL)   |
|  | Part Number<br>Numéro Pièce  | Rev.     |
|  | <b>5412ESFM242406THB</b>     | <b>0</b> |
|  |                              | 6        |
|  |                              | 19       |

This drawing is confidential and must not be reproduced or used without the consent of EXM

Ce dessin est confidentiel et ne doit pas être reproduit ou utilisé sans le consentement de EXM

| <b>STANDARD FEATURES ARE NOT LISTED IN THIS HOLE TABLE</b> |       |        |             |
|--|-------|--------|-------------|
| <b>HOLE TABLE - LEFT VIEW (CUSTOM FEATURE ONLY)</b>        |       |        |             |
| CUT-OUT  | XDIM  | YDIM   | DESCRIPTION |
| 1  | 5.514 | 18.000 | RND Ø0.290  |
| 2  | 5.514 | 6.000  | RND Ø0.290  |



|  |                              |          |    |
|--|------------------------------|----------|----|
|  | Description                  | Status   |    |
|  | 5412ESFM 24" x 24" x 6" Body | (NULL)   |    |
|  | Part Number<br>Numéro Pièce  | Rev.     | 7  |
|  | <b>5412ESFM242406THB</b>     | <b>0</b> | 19 |

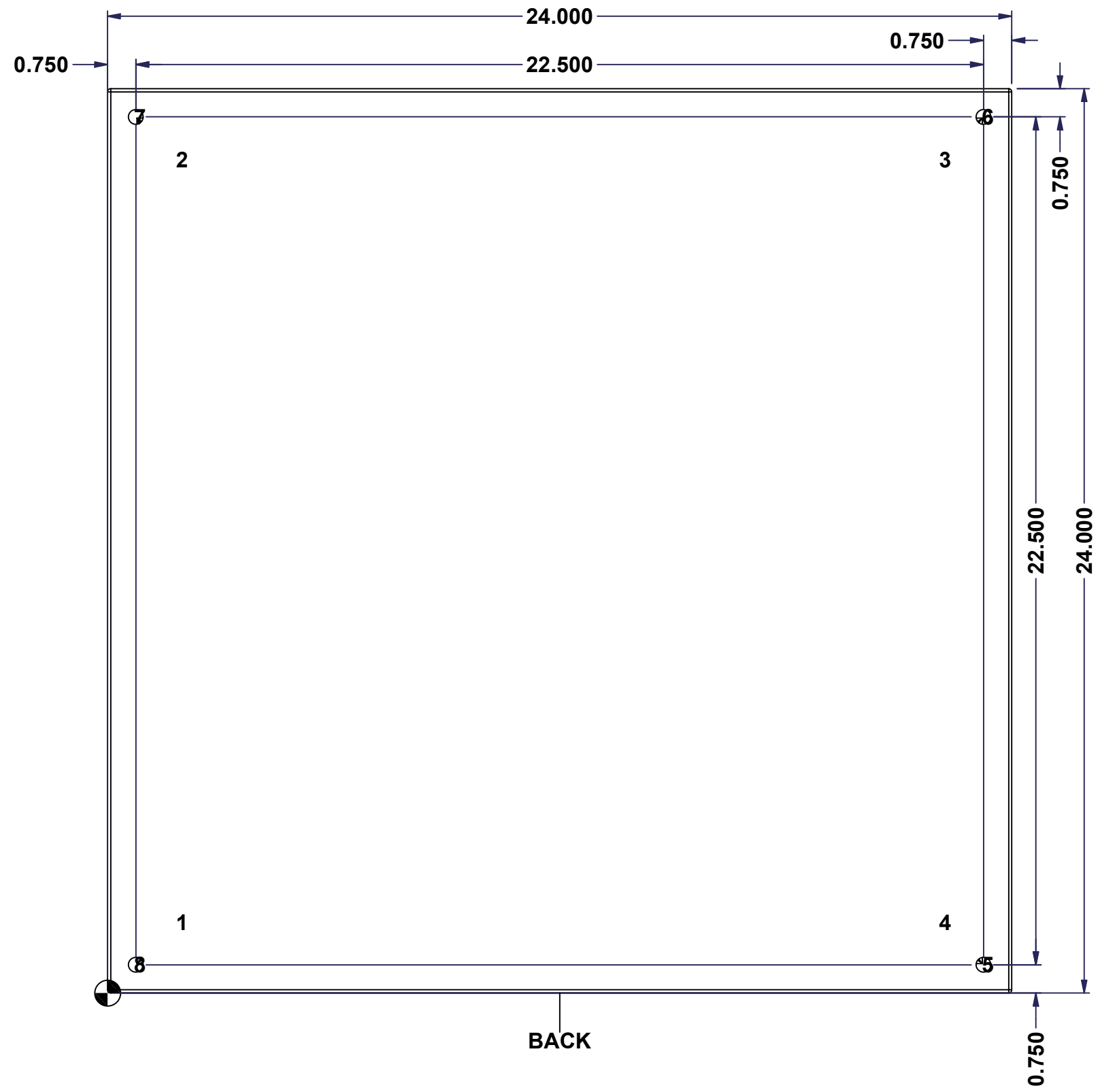
This drawing is confidential and must not be reproduced or used without the consent of EXM

Ce dessin est confidentiel et ne doit pas être reproduit ou utilisé sans le consentement de EXM

**STANDARD FEATURES ARE NOT LISTED IN THIS HOLE TABLE**

**HOLE TABLE - BACK VIEW (CUSTOM FEATURE ONLY)**

| CUT-OUT | XDIM   | YDIM   | DESCRIPTION                |
|---------|--------|--------|----------------------------|
| 1       | 1.875  | 1.875  | IP STUD M8 x 35mm (Inside) |
| 2       | 1.875  | 22.125 | IP STUD M8 x 35mm (Inside) |
| 3       | 22.125 | 22.125 | IP STUD M8 x 35mm (Inside) |
| 4       | 22.125 | 1.875  | IP STUD M8 x 35mm (Inside) |
| -----   |        |        |                            |
| 5       | 23.250 | 0.750  | RND Ø0.390                 |
| 6       | 23.250 | 23.250 | RND Ø0.390                 |
| 7       | 0.750  | 23.250 | RND Ø0.390                 |
| 8       | 0.750  | 0.750  | RND Ø0.390                 |

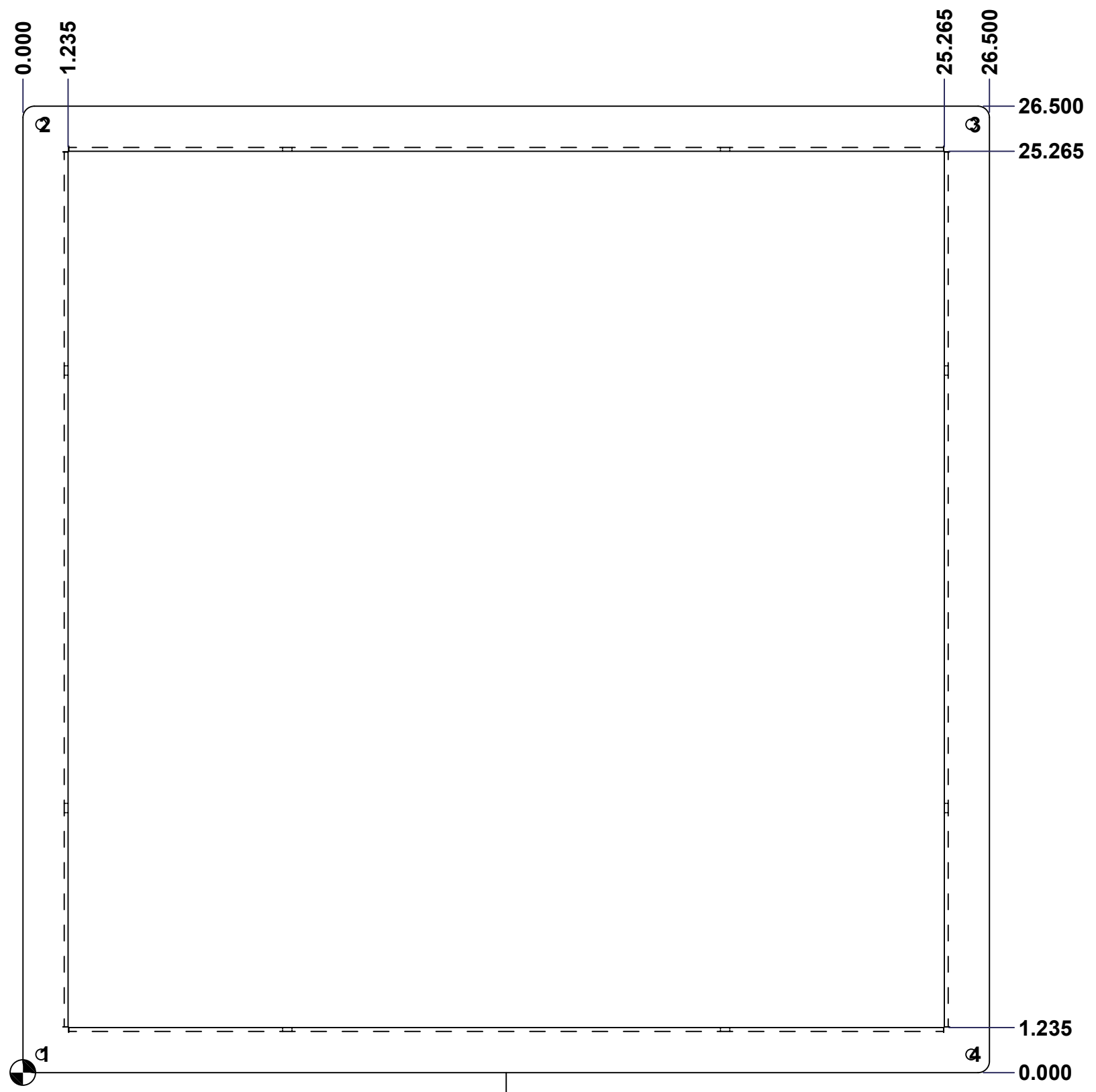


|  |                              |              |
|--|------------------------------|--------------|
|  | Description                  | Status       |
|  | 5412ESFM 24" x 24" x 6" Body | (NULL)       |
|  | Part Number<br>Numéro Pièce  | Rev.         |
|  | <b>5412ESFM242406THB</b>     | <b>0</b> / 8 |
|  |                              | 19           |

This drawing is confidential and must not be reproduced or used without the consent of EXM

Ce dessin est confidentiel et ne doit pas être reproduit ou utilisé sans le consentement de EXM

| STANDARD FEATURES ARE NOT LISTED IN THIS HOLE TABLE |        |        |             |
|---|--------|--------|-------------|
| HOLE TABLE - FRONT VIEW (CUSTOM FEATURE ONLY)       |        |        |             |
| CUT-OUT   | XDIM   | YDIM   | DESCRIPTION |
| 1   | 0.500  | 0.500  | RND Ø0.290  |
| 2   | 0.500  | 26.000 | RND Ø0.290  |
| 3   | 26.000 | 26.000 | RND Ø0.290  |
| 4   | 26.000 | 0.500  | RND Ø0.290  |



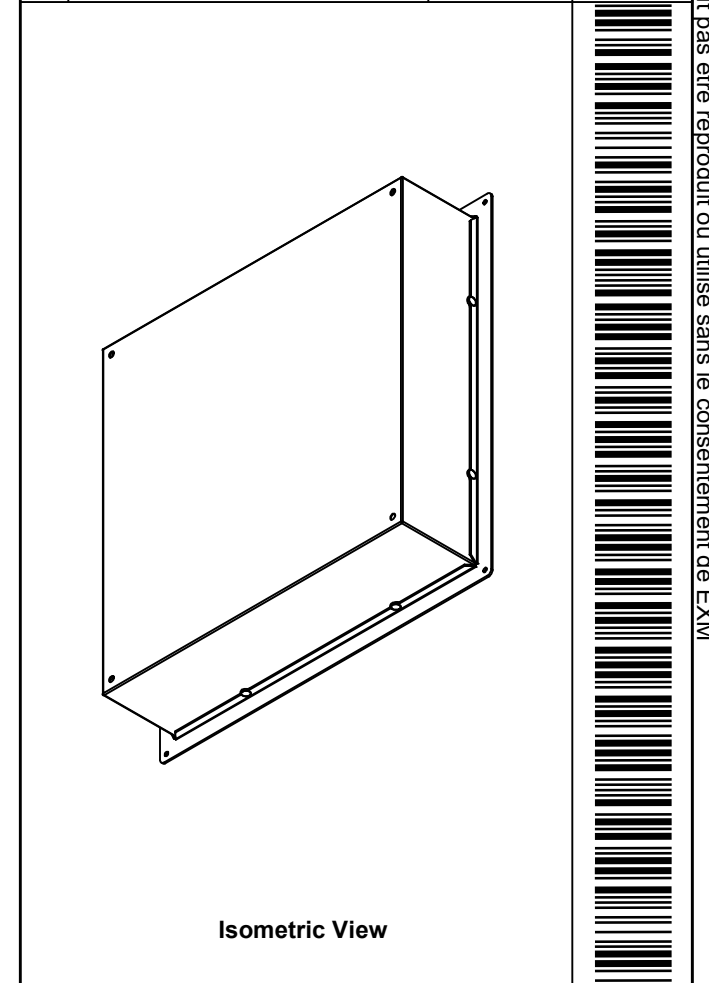
FRONT

|   |                                |        |
|---|--------------------------------|--------|
|   | Description                    | Status |
|   | 5412ESFM 24" x 24" x 6" Flange | (NULL) |
| Part Number<br>Numéro Pièce<br><b>5412ESFM242406THB</b> | Rev.                           | 9      |
|   | <b>0</b>                       | 19     |

This drawing is confidential and must not be reproduced or used without the consent of EXM

Ce dessin est confidentiel et ne doit pas être reproduit ou utilisé sans le consentement de EXM

| No. | Revisions | Date | By/Par |
|-----|-----------|------|--------|
|     |           |      |        |
|     |           |      |        |
|     |           |      |        |
|     |           |      |        |
|     |           |      |        |





Tél: (450) 979-4373  
Fax: (450) 979-4626  
[www.exmweb.com](http://www.exmweb.com)

Flatness  
Aplatissement  
Max 3.0mm

Projection



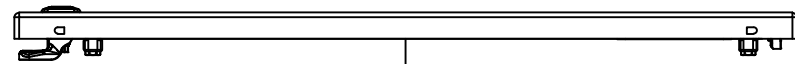
|   |                      |   |  |
|---|----------------------|---|--|
| 1 | STK-K-70554          | 3 | 5412 ESTH Accessory Kit                |
| 1 | 5412ESFM242406THI-RS | 0 | 5412ESFM 24" x 24" Right Insulation    |
| 1 | 5412ESFM242406THI-LS | 0 | 5412ESFM 24" x 24" Left Insulation     |
| 1 | 5412ESFM242406THI-BT | 0 | 5412ESFM 24" x 24"Bottom Insulation    |
| 1 | 5412ESFM242406THI-TP | 0 | 5412ESFM 24" x 24"Top Insulation       |
| 1 | 5412ESFM242406THI-B  | 0 | 5412ESFM 24" x 24" Back Insulation     |
| 4 | STK-Q-16055          | 1 | M6 x 18mm Stud (No Paint Cap Required) |
| 1 | 5412ESFM242406THF    | 0 | 5412ESFM 24" x 24" x 6" Flange         |
| 1 | STK-P-02400S         | 0 | Powder Paint (Asa-61 Grey / Smooth)    |
| 4 | STK-Q-16005          | 0 | Stud M8 x 35mm Steel                   |
| 1 | 5412ESFM242406THB-P  | 0 | 5412ESFM 24" x 24" x 6" Body Part      |

|   |                       |
|---|-----------------------|
| Customer Client   | Date                  |
| Drawn By<br>Dessiné Par BoxCad: BoxCad                        | Date 23-Dec-24        |
| Material<br>Matière 16 Ga Cold Rolled A1008 CS Type B (1.4mm) |                       |
| Color<br>Couleur Asa-61 Grey                                  | Finish<br>Fini Smooth |
| Description<br>5412ESFM 24" x 24" x 6" Body                   | Detail Rev.           |
| Part Number<br>Numéro Pièce<br><b>5412ESFM242406THB</b>       | Rev. 10<br><b>0</b>   |

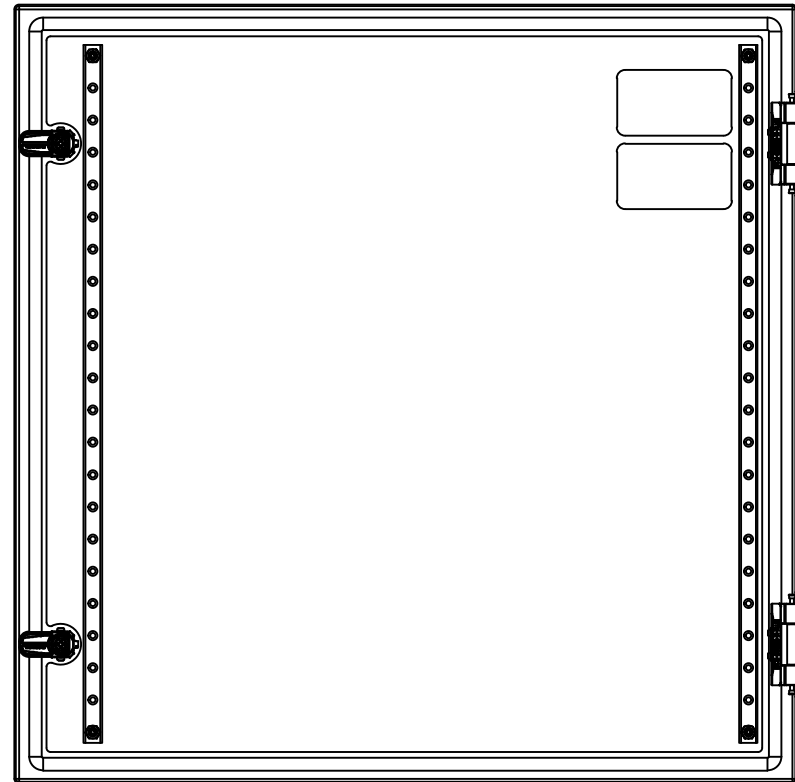
| Qty        | Part Number | Rev | Description |
|------------|-------------|-----|-------------|
| Parts List |             |     |             |

This drawing is confidential and must not be reproduced or used without the consent of EXM

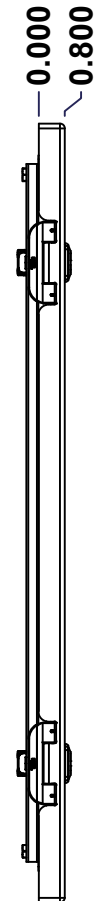
Ce dessin est confidentiel et ne doit pas être reproduit ou utilisé sans le consentement de EXM



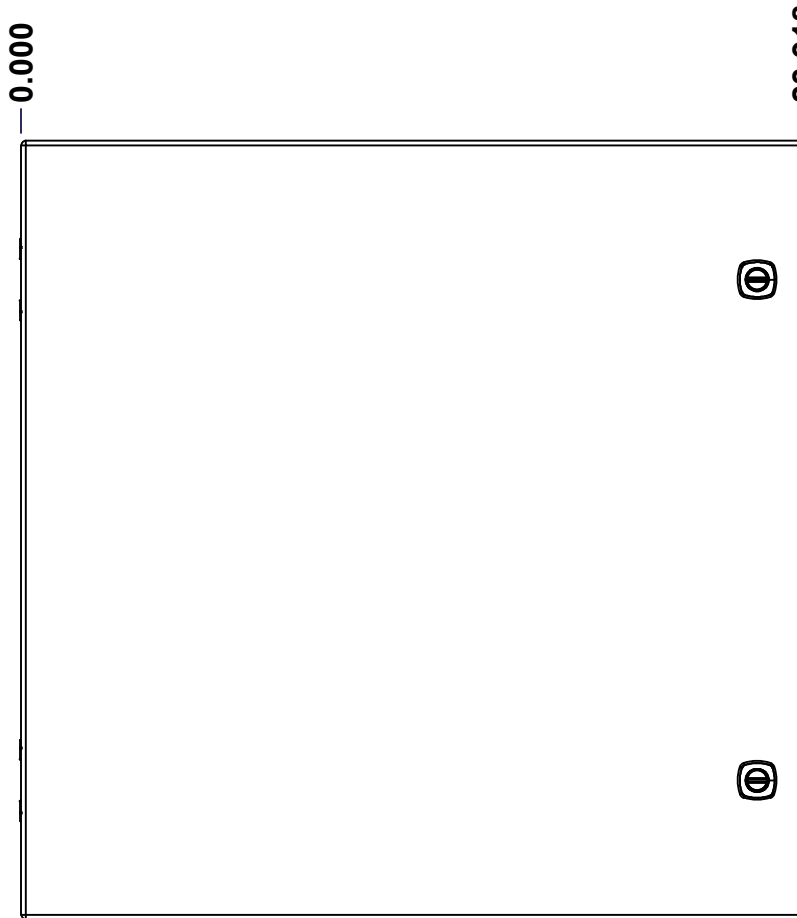
TOP



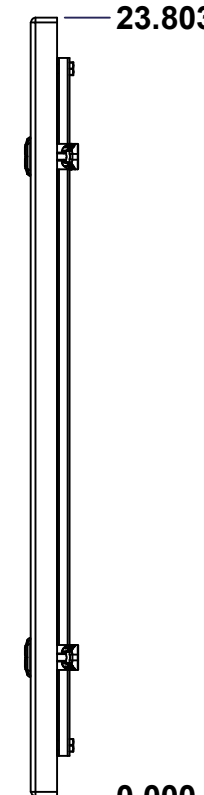
BACK



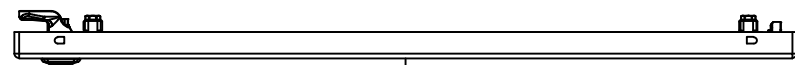
LEFT



FRONT

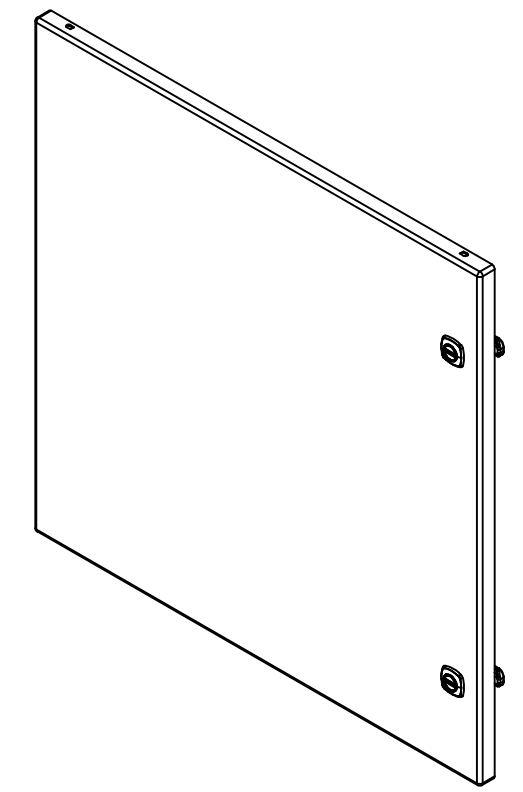


RIGHT




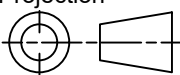
BOTTOM

| No. | Revisions | Date | By/Par |
|-----|-----------|------|--------|
|     |           |      |        |
|     |           |      |        |
|     |           |      |        |
|     |           |      |        |



Isometric View



|  |   |   |
|--|---|---|
|  Tél: (450) 979-4373<br>Fax: (450) 979-4626<br><a href="http://www.exmweb.com">www.exmweb.com</a> |   | Flatness<br>Aplatissement<br>Max 3.0mm<br>Projection<br> |
| Customer Client  | Date                                      |   |
| Drawn By<br>Dessiné Par  | BoxCad: BoxCad                            | Date 23-Dec-24  |
| Material<br>Matière  | 16 Ga Cold Rolled A1008 CS Type B (1.4mm) |   |
| Color<br>Couleur   | Asa-61 Grey                               | Finish<br>Fini Smooth   |
| Description<br>5412ESFM 24" x 24" Cover  |   | Detail Rev.   |
| Part Number<br>Numéro Pièce  | Rev. 0                                    | 11<br>19  |

SEE BILL OF MATERIAL ON LAST PAGE

**5412ESFM242406THC**

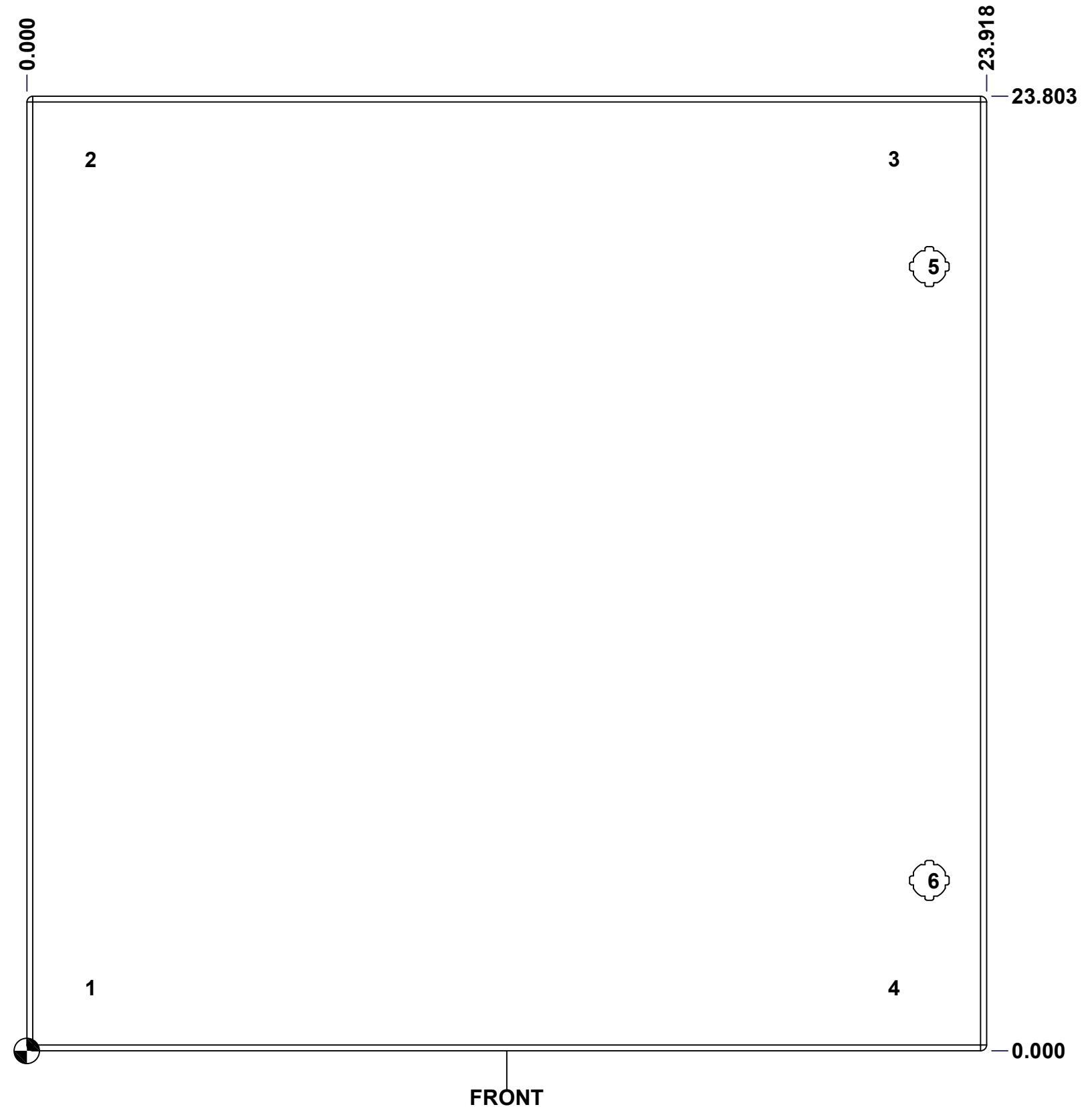
This drawing is confidential and must not be reproduced or used without the consent of EXM

Ce dessin est confidentiel et ne doit pas être reproduit ou utilisé sans le consentement de EXM

**STANDARD FEATURES ARE NOT LISTED IN THIS HOLE TABLE**

**HOLE TABLE - FRONT VIEW (CUSTOM FEATURE ONLY)**

| CUT-OUT | XDIM   | YDIM   | DESCRIPTION             |
|---------|--------|--------|-------------------------|
| 1       | 1.486  | 1.567  | STUD M6 x 18mm (Inside) |
| 2       | 1.486  | 22.236 | STUD M6 x 18mm (Inside) |
| 3       | 21.517 | 22.236 | STUD M6 x 18mm (Inside) |
| 4       | 21.517 | 1.567  | STUD M6 x 18mm (Inside) |
| -----   |        |        |                         |
| 5       | 22.494 | 19.553 | LOCK 880 SCQ4-SL @ 0.0° |
| 6       | 22.494 | 4.250  | LOCK 880 SCQ4-SL @ 0.0° |

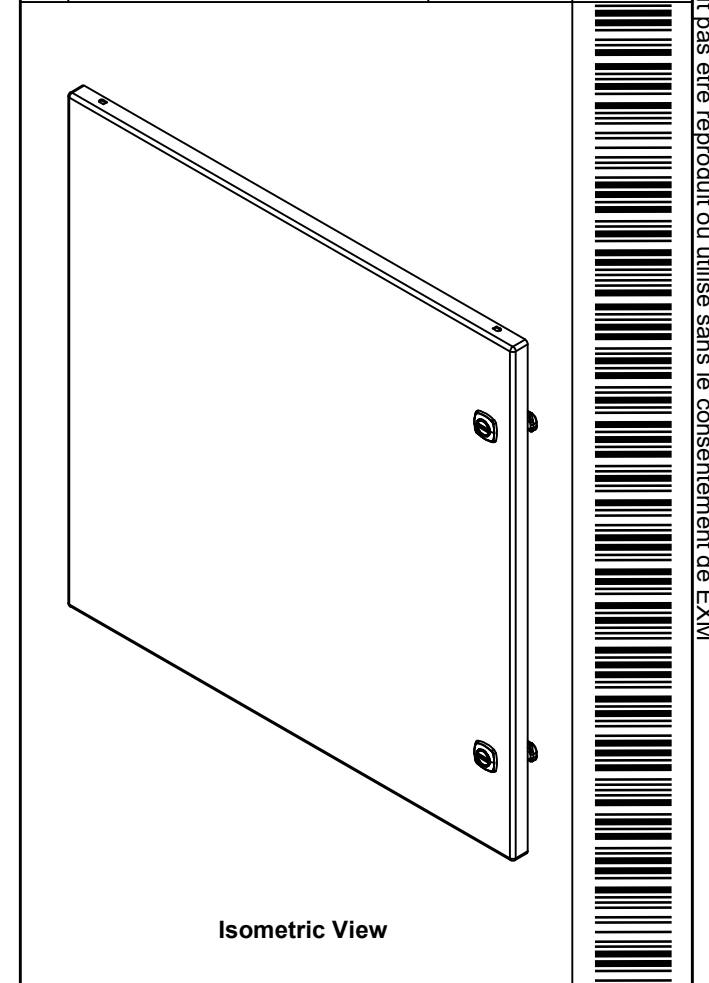


|  |                             |          |    |
|--|-----------------------------|----------|----|
|  | Description                 | Status   |    |
|  | 5412ESFM 24" x 24" Cover    | (NULL)   |    |
|  | Part Number<br>Numéro Pièce | Rev.     | 12 |
|  | <b>5412ESFM242406THC</b>    | <b>0</b> | 19 |

This drawing is confidential and must not be reproduced or used without the consent of EXM

Ce dessin est confidentiel et ne doit pas être reproduit ou utilisé sans le consentement de EXM

| No. | Revisions | Date | By/Par |
|-----|-----------|------|--------|
|     |           |      |        |
|     |           |      |        |
|     |           |      |        |
|     |           |      |        |
|     |           |      |        |





Tél: (450) 979-4373  
Fax: (450) 979-4626  
[www.exmweb.com](http://www.exmweb.com)

Flatness  
Aplatissement  
Max 3.0mm

Projection



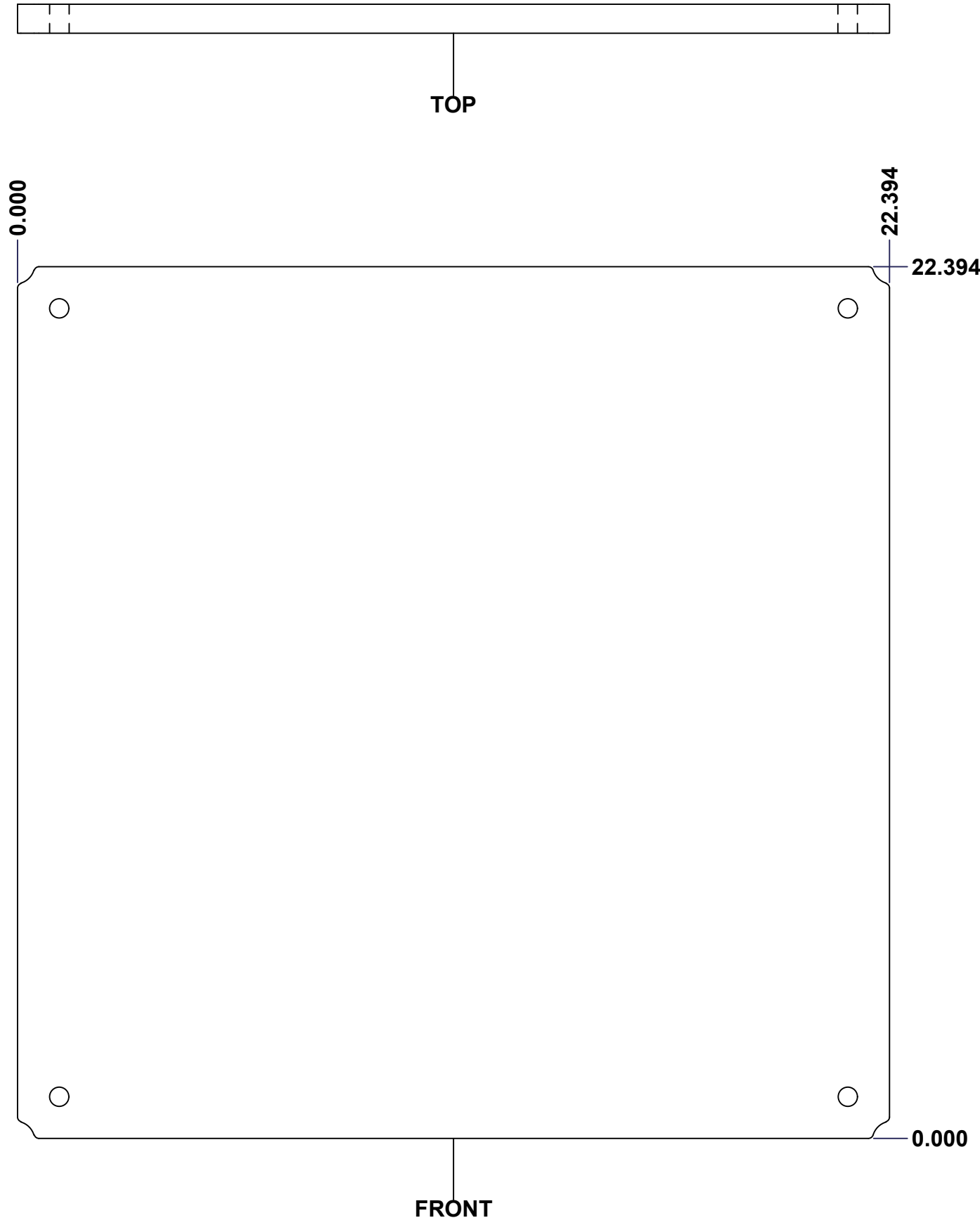
|   |                     |    |   |
|---|---------------------|----|---|
| 2 | STK-K-12500         | 19 | 5412 ES 1/4 Turn Lock                   |
| 2 | STK-S-00100         | 0  | 3.5" x 2" Silver Milar Flexcon Sticker  |
| 4 | STK-Q-07250         | 2  | M6 x 16mm Collar Nut                    |
| 2 | STK-Q-46020-24      | 5  | 5412 ES Vertical Door Stiffener 24"     |
| 1 | 5412ESFM242406THI-C | 0  | 5412ESFM 24" x 24" Cover Insulation     |
| 1 | STK-P-02400S        | 0  | Powder Paint (Asa-61 Grey / Smooth)     |
| 4 | STK-Q-16055         | 1  | M6 x 18mm Stud (No Paint Cap Required)  |
| 1 | 5412ESFM242406THG   | 0  | 5412ESFM 24" x 24" Cover Gasket Part    |
| 1 | 5412ESFM242406THC-P | 0  | 5412ESFM 24" x 24" Cover Part           |
| 2 | STK-K-09800         | 10 | 5412 ES Hinge with 2 Captive Hinge Pins |

|   |                       |
|---|-----------------------|
| Customer Client   | Date                  |
| Drawn By / Dessiné Par: BoxCad: BoxCad                        | Date: 23-Dec-24       |
| Material / Matière: 16 Ga Cold Rolled A1008 CS Type B (1.4mm) |                       |
| Color / Couleur: Asa-61 Grey                                  | Finish / Fini: Smooth |
| Description: 5412ESFM 24" x 24" Cover                         | Detail Rev.           |
| Part Number / Numéro Pièce: <b>5412ESFM242406THC</b>          | Rev. 0                |

| QTY        | Part Number | Rev | Description |
|------------|-------------|-----|-------------|
| Parts List |             |     |             |

This drawing is confidential and must not be reproduced or used without the consent of EXM

Ce dessin est confidentiel et ne doit pas être reproduit ou utilisé sans le consentement de EXM



| No. | Revisions | Date | By/Par |
|-----|-----------|------|--------|
|     |           |      |        |
|     |           |      |        |
|     |           |      |        |
|     |           |      |        |
|     |           |      |        |

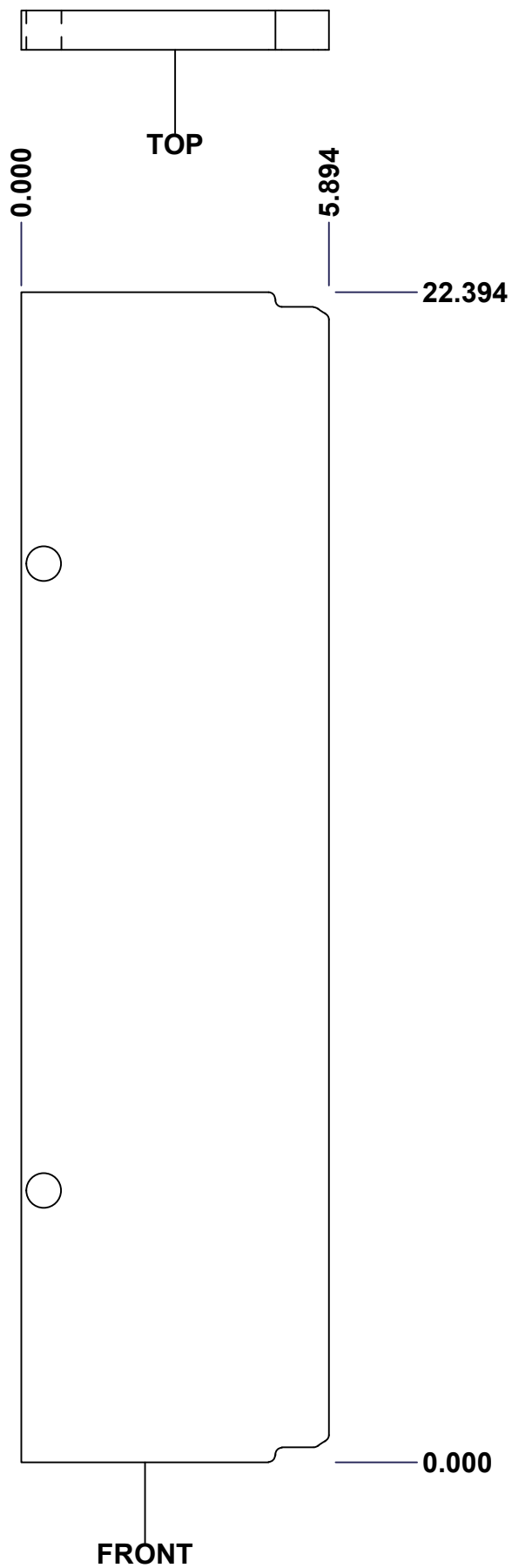
**Isometric View**

|  |                    |                           |
|--|--------------------|---------------------------|
| Tél: (450) 979-4373<br>Fax: (450) 979-4626<br><a href="http://www.exmweb.com">www.exmweb.com</a> |                    | Flatness<br>Aplatissement |
|  |                    | Max 3.0mm                 |
| Customer Client  |                    | Date                      |
| Drawn By / Dessiné Par: BoxCad: Patrick Deschenes  |                    | Date: 23-Jan-07           |
| Material / Matière: Polyisocyanurate   |                    |                           |
| Color / Couleur: Aluminum  | Finish / Fini: N/A |                           |
| Description: 5412ESFM 24" x 24" Back Insulation  |                    | Detail Rev.               |
| Part Number / Numéro Pièce: 5412ESFM242406THI-B  |                    | Rev. 0 / 14<br>19         |

SEE BILL OF MATERIAL ON LAST PAGE

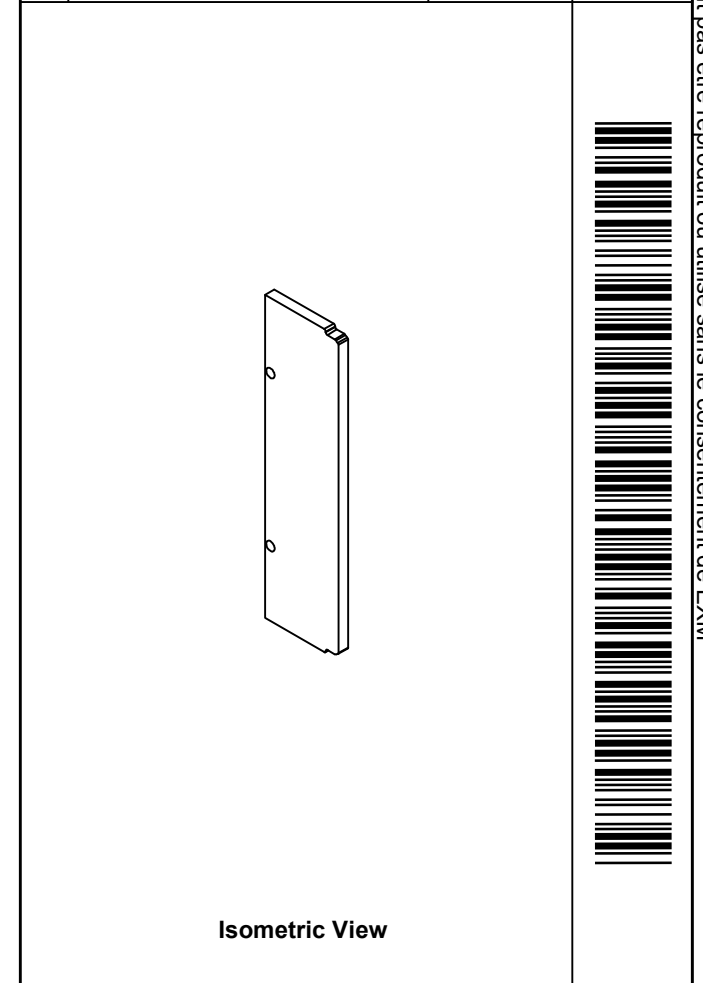
This drawing is confidential and must not be reproduced or used without the consent of EXM


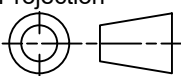
Ce dessin est confidentiel et ne doit pas être reproduit ou utilisé sans le consentement de EXM



SEE BILL OF MATERIAL ON LAST PAGE

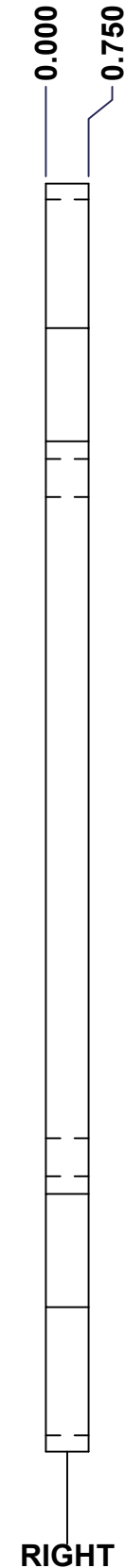
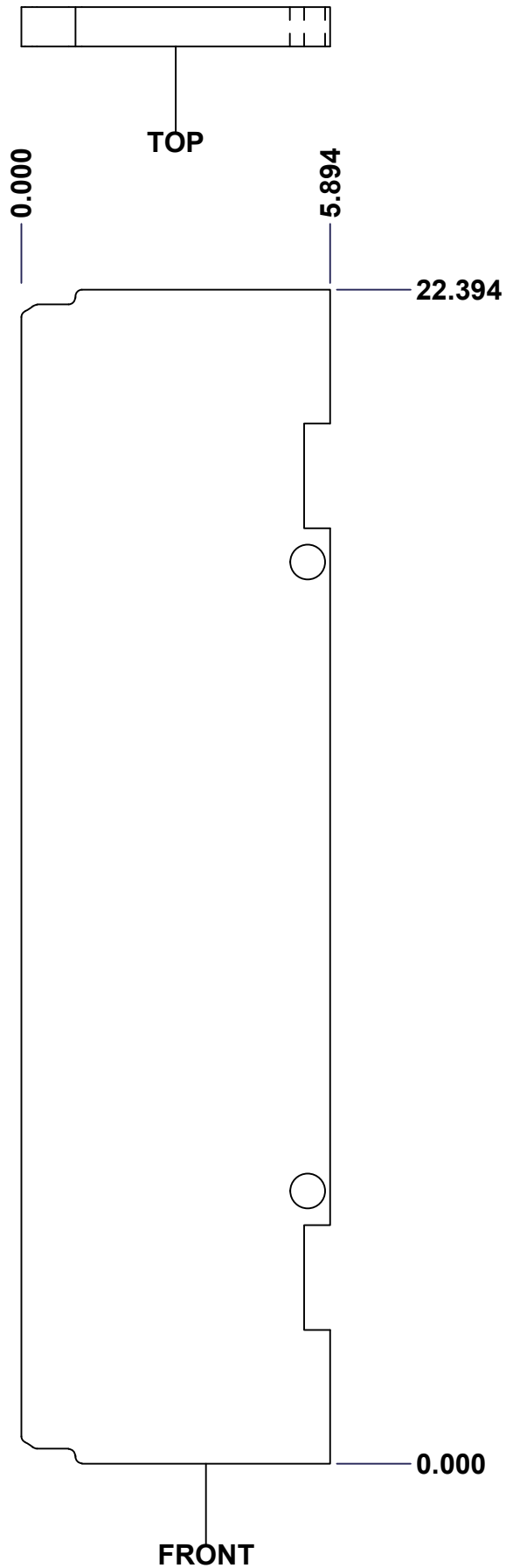
| No. | Revisions | Date | By/Par |
|-----|-----------|------|--------|
|     |           |      |        |
|     |           |      |        |
|     |           |      |        |
|     |           |      |        |
|     |           |      |        |



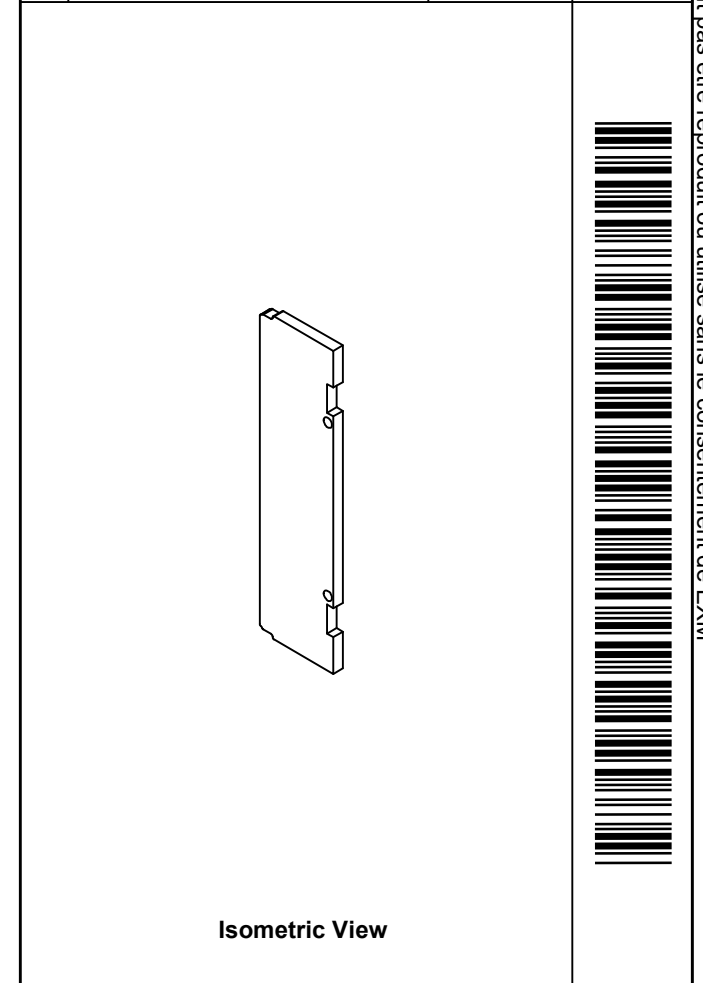
|  |                           |   |
|--|---------------------------|---|
|  Tél: (450) 979-4373<br>Fax: (450) 979-4626<br><a href="http://www.exmweb.com">www.exmweb.com</a> |                           | Flatness<br>Aplatissement<br>Max 3.0mm<br>Projection<br> |
| Customer Client  | Date                      |   |
| Drawn By<br>Dessiné Par  | BoxCad: Patrick Deschenes | Date 23-Jan-07  |
| Material<br>Matière  | Polyisocyanurate          |   |
| Color<br>Couleur   | Aluminum                  | Finish<br>Fini N/A  |
| Description  | Detail Rev.               |   |
| 5412ESFM 24" x 24" Left Insulation   |                           |   |
| Part Number<br>Numéro Pièce  | Rev.                      | 15  |
| 5412ESFM242406THI-LS   | 0                         | 19  |


This drawing is confidential and must not be reproduced or used without the consent of EXM

Ce dessin est confidentiel et ne doit pas être reproduit ou utilisé sans le consentement de EXM



| No. | Revisions | Date | By/Par |
|-----|-----------|------|--------|
|     |           |      |        |
|     |           |      |        |
|     |           |      |        |
|     |           |      |        |
|     |           |      |        |



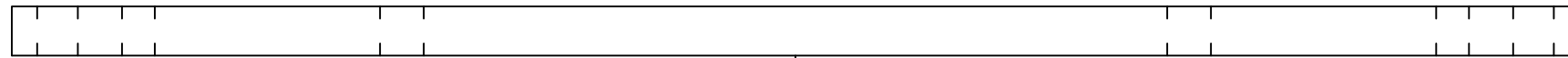
|  |  |                           |                |
|--|--|---------------------------|----------------|
|  Tél: (450) 979-4373<br>Fax: (450) 979-4626<br><a href="http://www.exmweb.com">www.exmweb.com</a> |  | Flatness<br>Aplatissement |                |
|  |  | Max 3.0mm                 |                |
| Customer<br>Client   |  | Date                      |                |
| Drawn By<br>Dessiné Par  |  | Date                      |                |
| Material<br>Matière  |  | Polyisocyanurate          |                |
| Color<br>Couleur   |  | Aluminum                  | Finish<br>Fini |
| Description  |  | Detail Rev.               |                |
| Part Number<br>Numéro Pièce  |  | Rev.                      | 16             |
| SEE BILL OF MATERIAL ON LAST PAGE  |  | <b>0</b>                  | 19             |

SEE BILL OF MATERIAL ON LAST PAGE

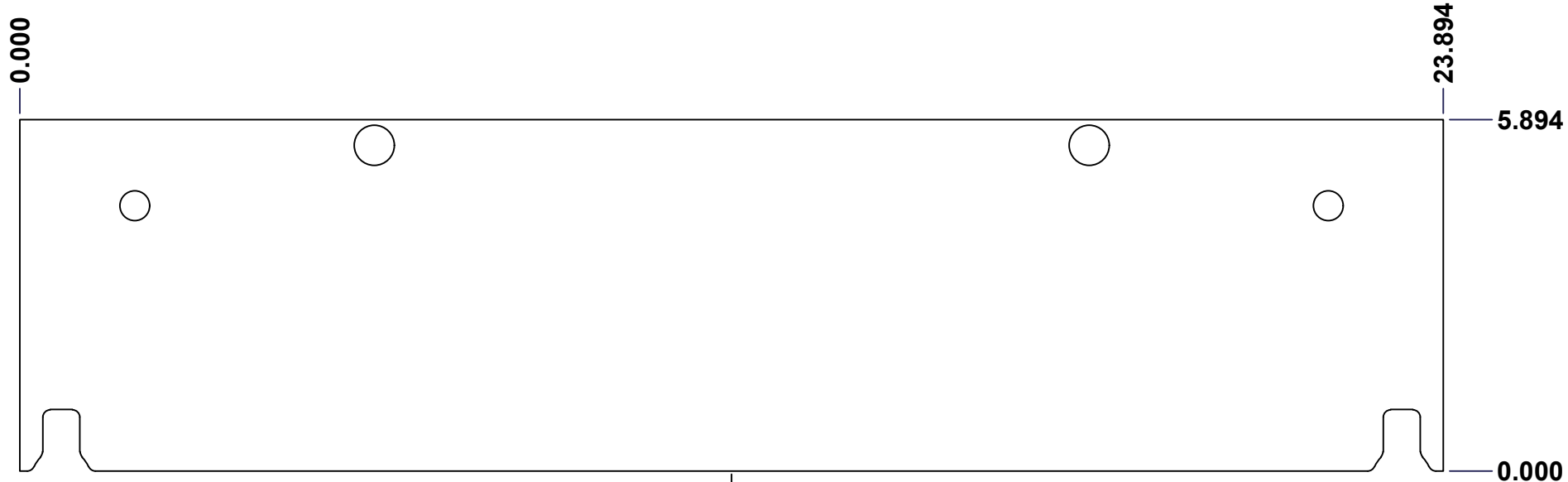
**5412ESFM242406THI-RS**

This drawing is confidential and must not be reproduced or used without the consent of EXM

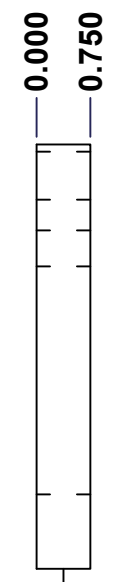
Ce dessin est confidentiel et ne doit pas être reproduit ou utilisé sans le consentement de EXM



TOP

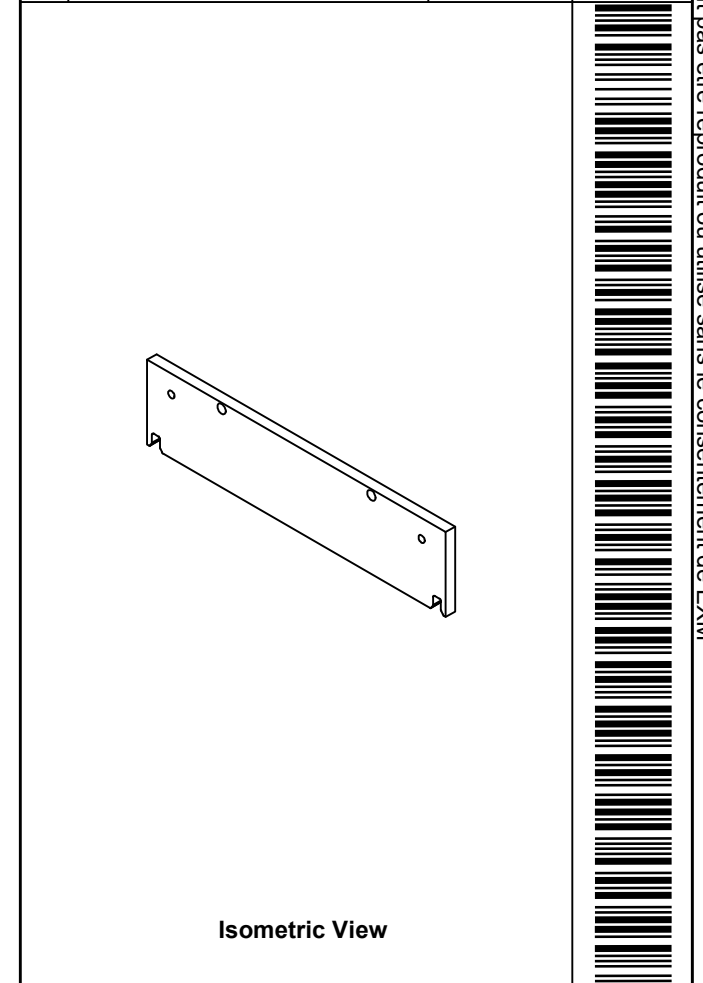


FRONT



RIGHT

| No. | Revisions | Date | By/Par |
|-----|-----------|------|--------|
|     |           |      |        |
|     |           |      |        |
|     |           |      |        |
|     |           |      |        |



Isometric View



Tél: (450) 979-4373  
 Fax: (450) 979-4626  
[www.exmweb.com](http://www.exmweb.com)

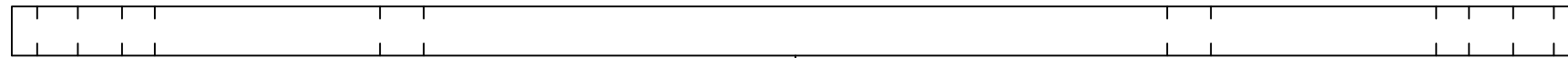
Flatness  
Aplatissement  
Max 3.0mm  
Projection

|  |                       |
|--|-----------------------|
| Customer Client                                  | Date                  |
| Drawn By / Dessiné Par: BoxCad: BoxCad           | Date: 4/3/2024        |
| Material / Matière: Polyisocyanurate             |                       |
| Color / Couleur: Aluminum                        | Finish / Fini: Smooth |
| Description: 5412ESFM 24" x 24"Top Insulation    | Detail Rev.           |
| Part Number / Numéro Pièce: 5412ESFM242406THI-TP | Rev. 0                |

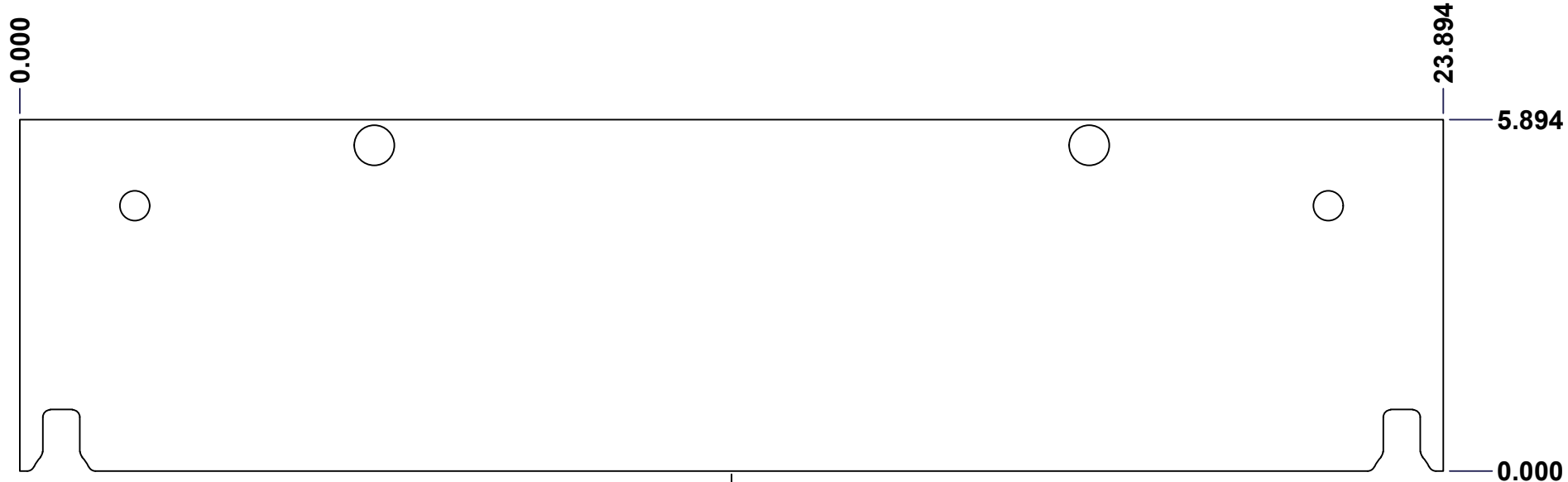
SEE BILL OF MATERIAL ON LAST PAGE

This drawing is confidential and must not be reproduced or used without the consent of EXM

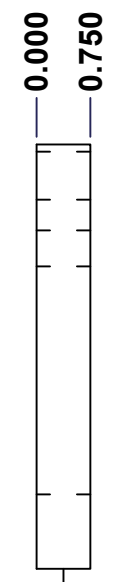
Ce dessin est confidentiel et ne doit pas être reproduit ou utilisé sans le consentement de EXM



TOP

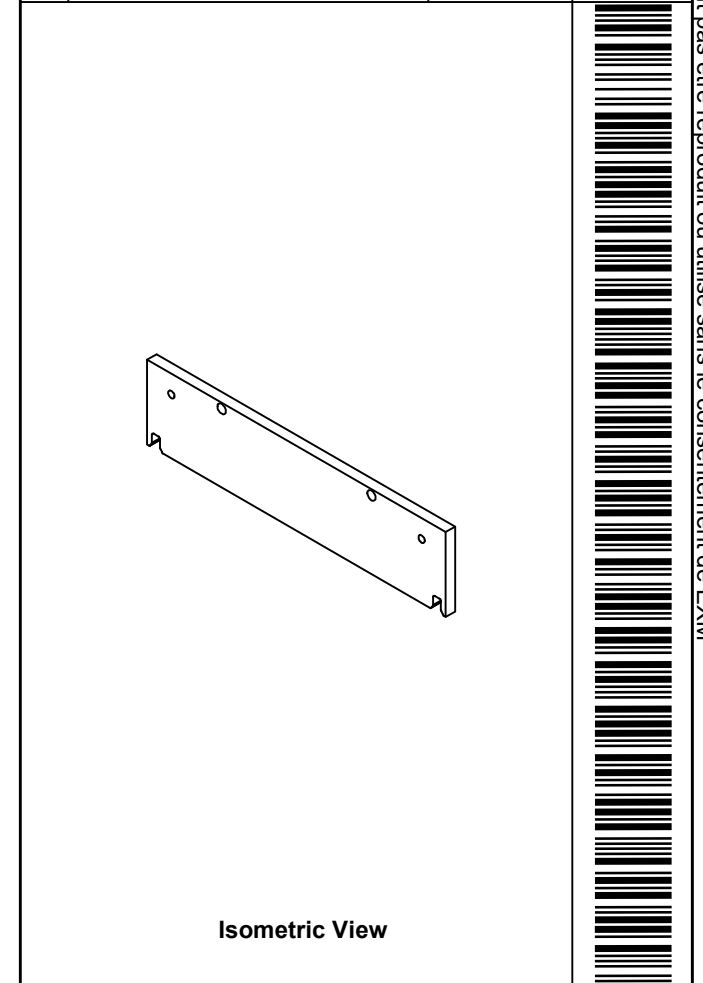


FRONT



RIGHT

| No. | Revisions | Date | By/Par |
|-----|-----------|------|--------|
|     |           |      |        |
|     |           |      |        |
|     |           |      |        |
|     |           |      |        |



Isometric View



Tél: (450) 979-4373  
 Fax: (450) 979-4626  
[www.exmweb.com](http://www.exmweb.com)

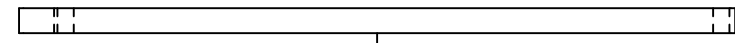
Flatness  
Aplatissement  
Max 3.0mm  
Projection

|  |                       |
|--|-----------------------|
| Customer Client                                  | Date                  |
| Drawn By / Dessiné Par: BoxCad: BoxCad           | Date: 4/3/2024        |
| Material / Matière: Polyisocyanurate             |                       |
| Color / Couleur: Aluminum                        | Finish / Fini: Smooth |
| Description: 5412ESFM 24" x 24"Bottom Insulation | Detail Rev.           |
| Part Number / Numéro Pièce: 5412ESFM242406THI-BT | Rev. 0                |

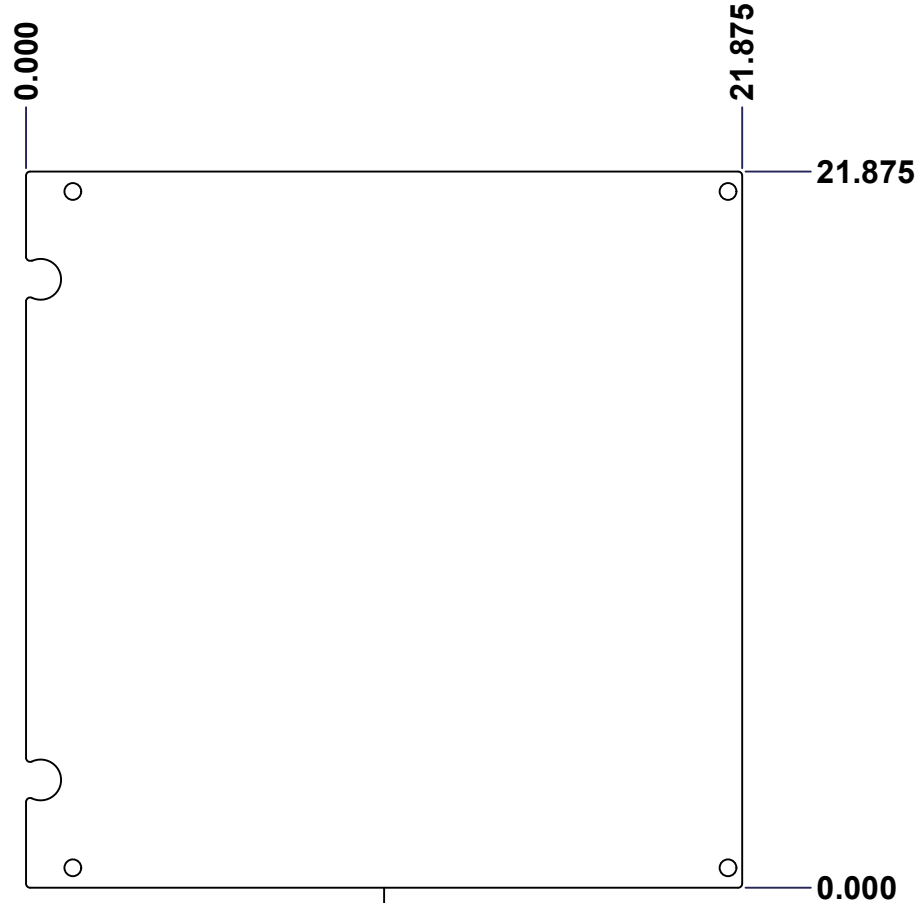
SEE BILL OF MATERIAL ON LAST PAGE

This drawing is confidential and must not be reproduced or used without the consent of EXM

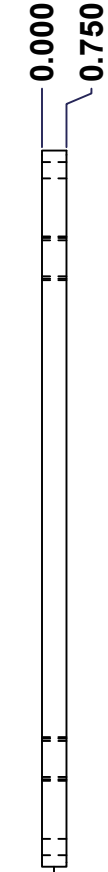
Ce dessin est confidentiel et ne doit pas être reproduit ou utilisé sans le consentement de EXM



TOP

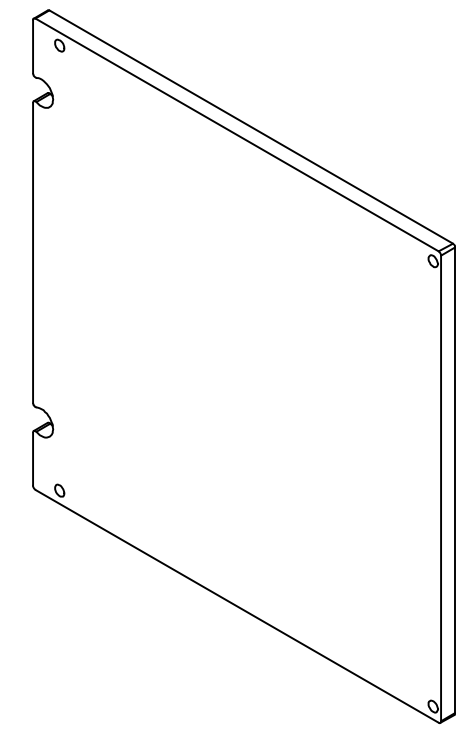


FRONT



RIGHT

| No. | Revisions | Date | By/Par |
|-----|-----------|------|--------|
|     |           |      |        |
|     |           |      |        |
|     |           |      |        |
|     |           |      |        |
|     |           |      |        |



Isometric View



Tél: (450) 979-4373  
 Fax: (450) 979-4626  
[www.exmweb.com](http://www.exmweb.com)

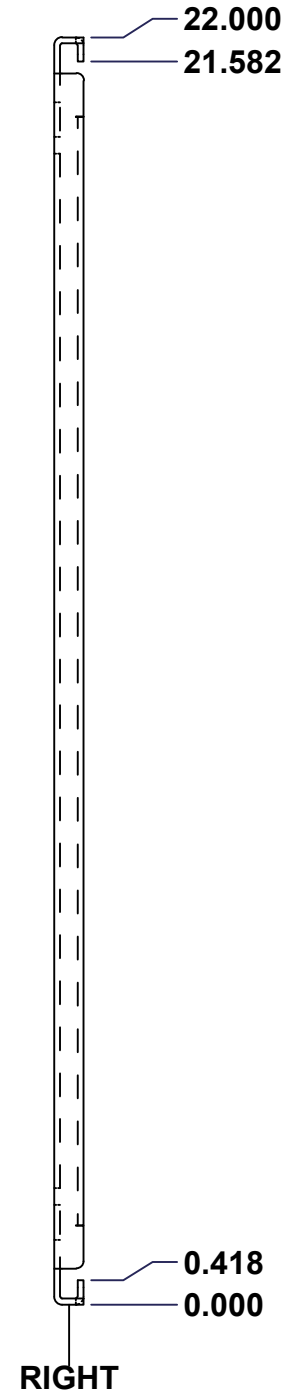
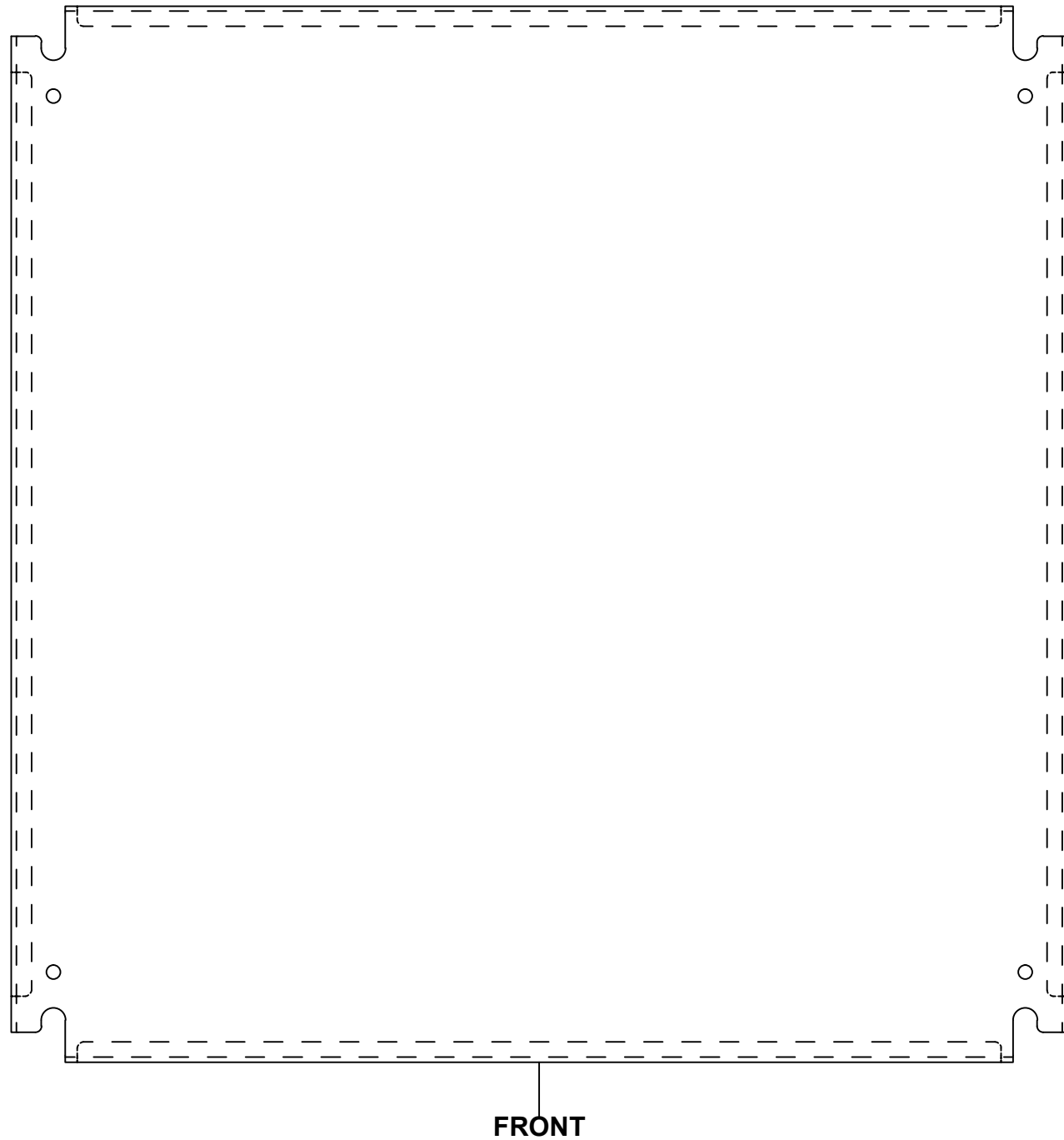
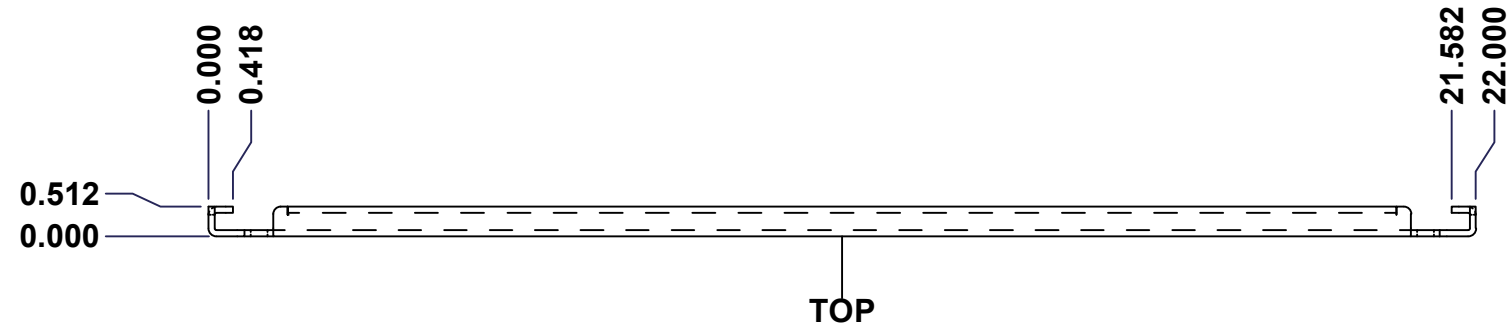
Flatness  
 Aplatissement  
 Max 3.0mm  
 Projection

|   |                    |
|---|--------------------|
| Customer Client                                   | Date               |
| Drawn By / Dessiné Par: BoxCad: Patrick Deschenes | Date: 23-Jan-07    |
| Material / Matière: Polyisocyanurate              |                    |
| Color / Couleur: Aluminum                         | Finish / Fini: N/A |
| Description: 5412ESFM 24" x 24" Cover Insulation  | Detail Rev.        |
| Part Number / Numéro Pièce: 5412ESFM242406THI-C   | Rev. 0             |

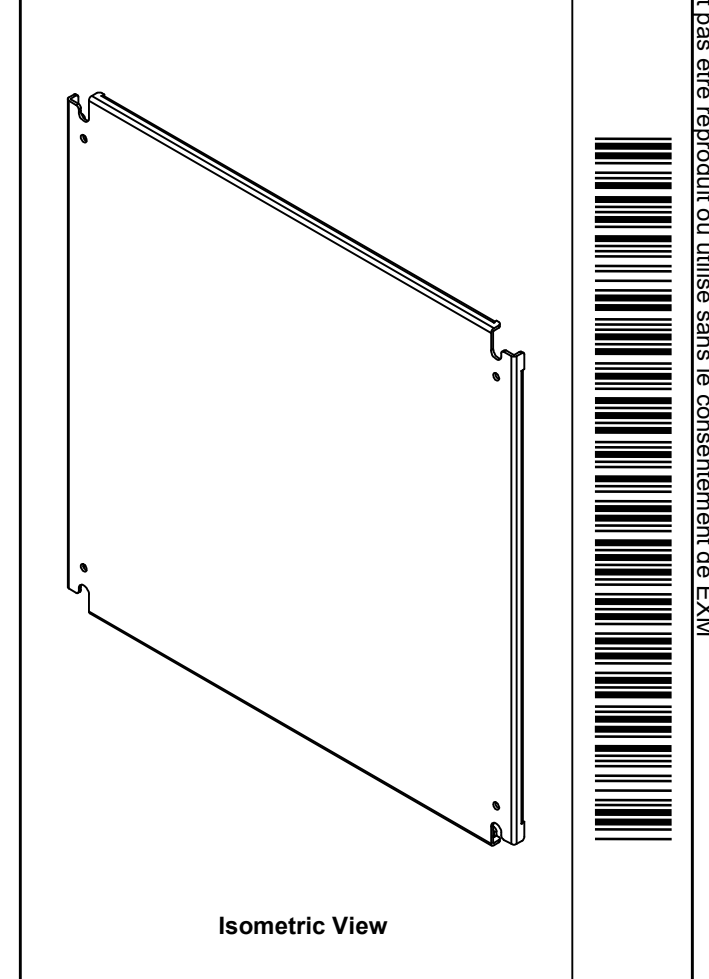
SEE BILL OF MATERIAL ON LAST PAGE


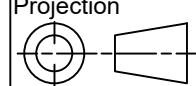
This drawing is confidential and must not be reproduced or used without the consent of EXM

Ce dessin est confidentiel et ne doit pas être reproduit ou utilisé sans le consentement de EXM



| No. | Revisions | Date | By/Par |
|-----|-----------|------|--------|
|     |           |      |        |
|     |           |      |        |
|     |           |      |        |
|     |           |      |        |
|     |           |      |        |



|  |               |   |
|--|---------------|---|
|  Tél: (450) 979-4373<br>Fax: (450) 979-4626<br>www.exmweb.com |               | Flatness<br>Aplatissement<br>Max 3.0mm<br>Projection<br> |
| Customer Client  | Date          |   |
| Drawn By<br>Dessiné Par  | BoxCad        | Date 23-Jan-07  |
| Material<br>Matière  | See Part List |   |
| Color<br>Couleur   | See Part List | Finish<br>Fini See Part List  |
| Description  |               | Detail Rev.   |
| 881 SP - Inner Panel   |               |   |
| Part Number<br>Numéro Pièce  | Rev.          | 1   |
| <b>881 SP2424G</b>   | <b>0</b>      | 2   |

| Qty | Part Number   | Rev | Description               | Material         | Color     | Finish     |
|-----|---------------|-----|---------------------------|------------------|-----------|------------|
| 1   | 881 SP2424G-P | 0   | 881 SP - Inner Panel Part | 12 Ga Galvanized | Unpainted | Galvanized |

Parts List

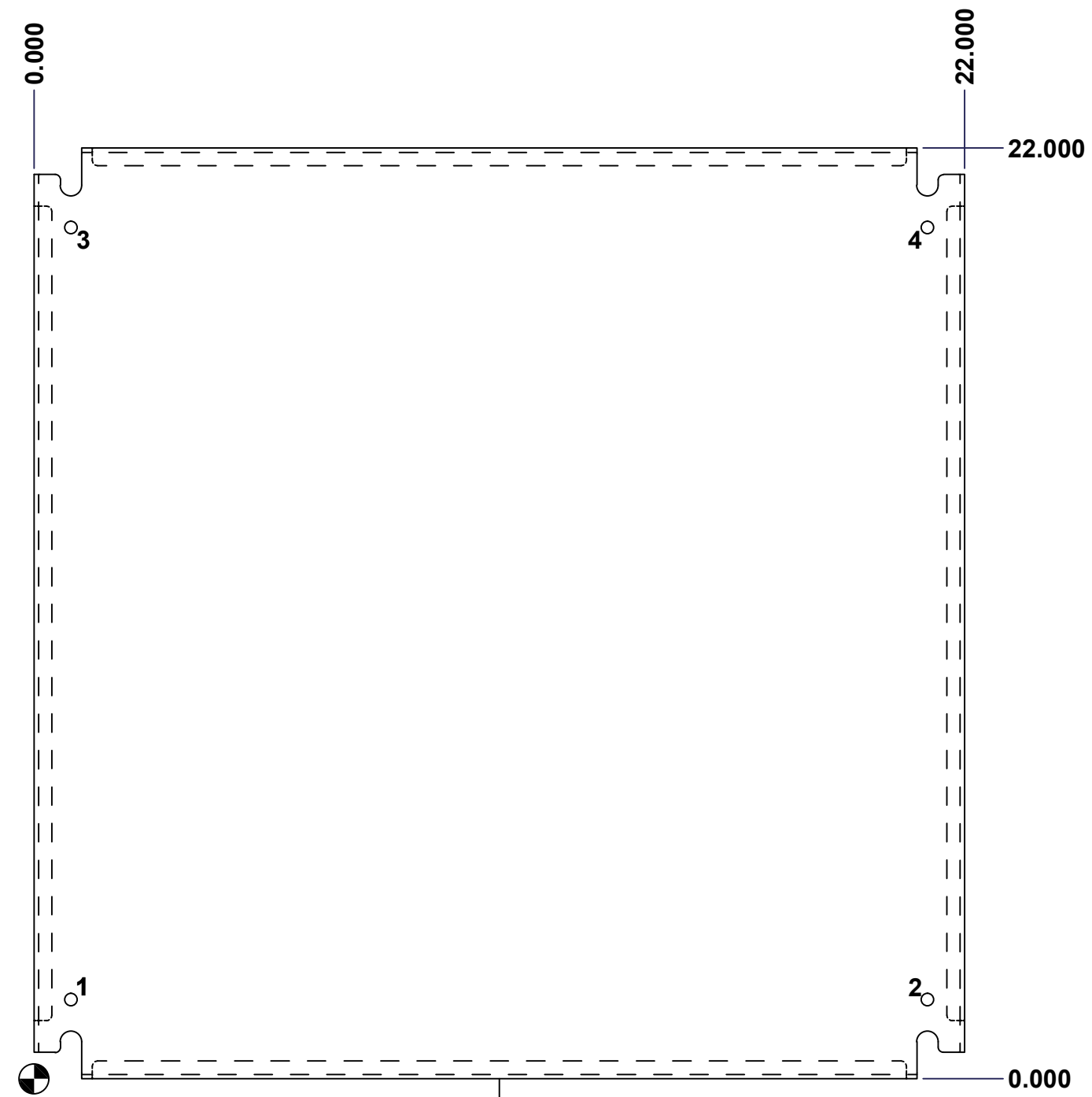
This drawing is confidential and must not be reproduced or used without the consent of EXM

Ce dessin est confidentiel et ne doit pas être reproduit ou utilisé sans le consentement de EXM

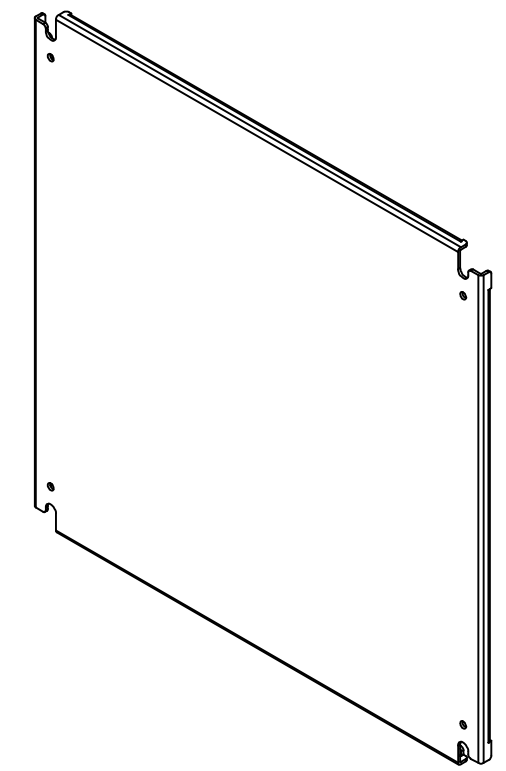
| Table 1 |        |        | FRONT VIEW               |
|---------|--------|--------|--------------------------|
| CUT-OUT | XDIM   | YDIM   | DESCRIPTION              |
| 1       | 0.875  | 1.875  | GROUND HOLE (RND Ø0.290) |
| 2       | 21.125 | 1.875  | GROUND HOLE (RND Ø0.290) |
| 3       | 0.875  | 20.125 | GROUND HOLE (RND Ø0.290) |
| 4       | 21.125 | 20.125 | GROUND HOLE (RND Ø0.290) |

All knockouts are actual size / Les disques défonçables sont grandeur réel

| No. | Revisions | Date | By/Par |
|-----|-----------|------|--------|
|     |           |      |        |
|     |           |      |        |
|     |           |      |        |
|     |           |      |        |
|     |           |      |        |



FRONT



Isometric View



|                             |  |                              |
|-----------------------------|--|------------------------------|
|                             | Tél: (450) 979-4373<br>Fax: (450) 979-4626<br>www.exmweb.com | Flatness<br>Aplatissement    |
|                             |  | Max 3.0mm                    |
| Projection                  |  |                              |
| Customer<br>Client          |  | Date                         |
| Drawn By<br>Dessiné Par     | BoxCad   | Date 23-Jan-07               |
| Material<br>Matière         | See Part List  |                              |
| Color<br>Couleur            | See Part List  | Finish<br>Fini See Part List |
| Description                 | Detail Rev.  |                              |
| 881 SP - Inner Panel        |  |                              |
| Part Number<br>Numéro Pièce | Rev.   | 2                            |
| 881 SP2424G                 | 0  | 2                            |