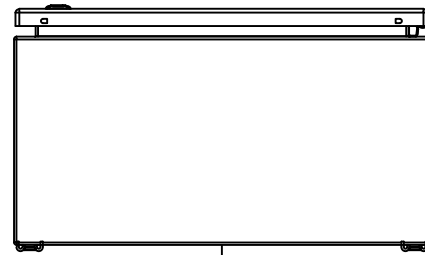
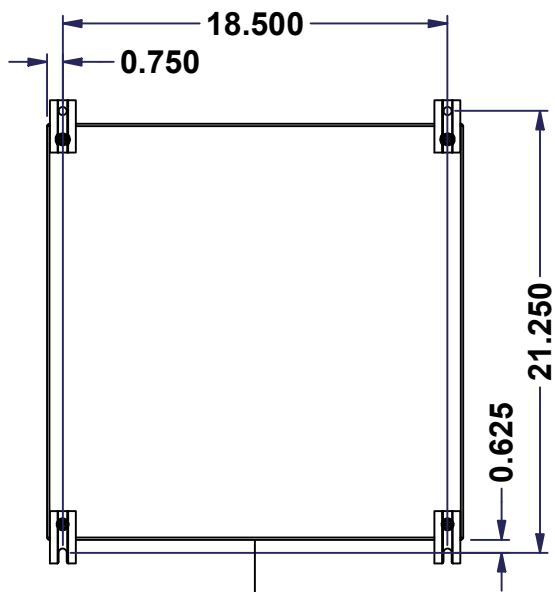


This drawing is confidential and must not be reproduced or used without the consent of EXM

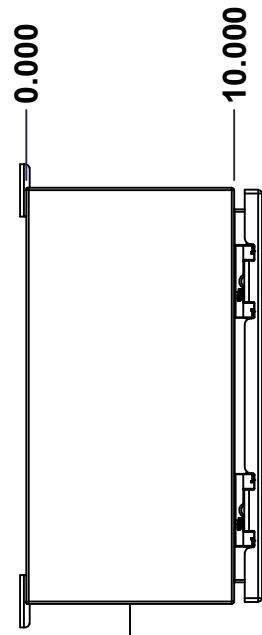
Ce dessin est confidentiel et ne doit pas être reproduit ou utilisé sans le consentement de EXM



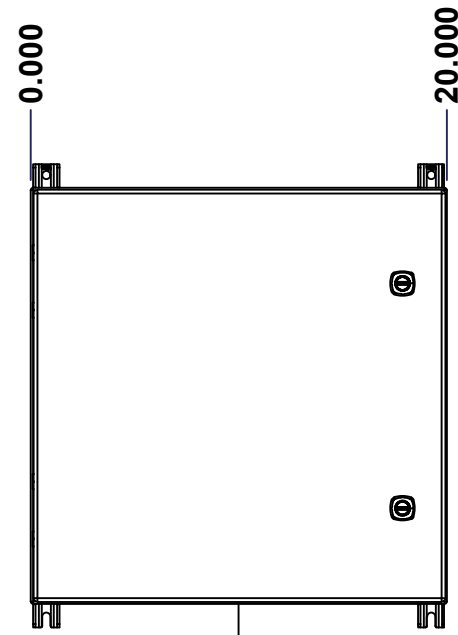
TOP



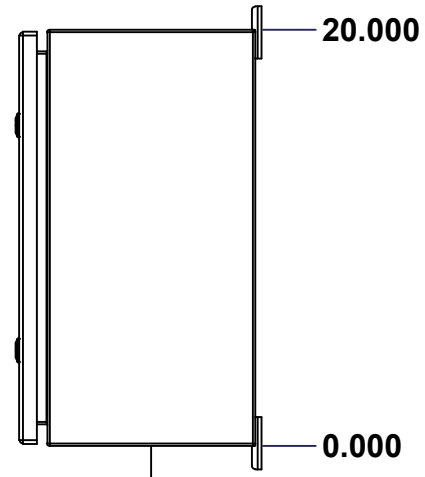
BACK



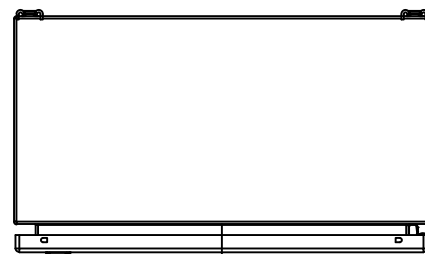
LEFT



FRONT

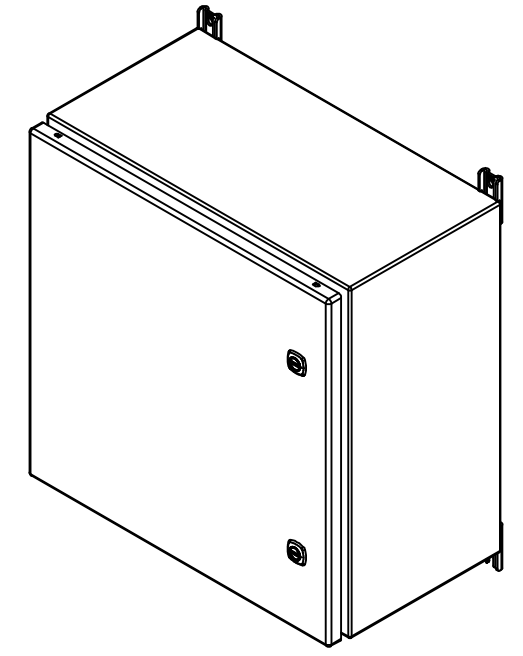


RIGHT



BOTTOM

| No. | Revisions | Date | By/Par |
|-----|-----------|------|--------|
| | | | |
| | | | |
| | | | |
| | | | |



Isometric View



Tél: (450) 979-4373
 Fax: (450) 979-4626
www.exmweb.com

Flatness
Aplatissement
Max 3.0mm
Projection

| | |
|---------------------------------------------------------------|-----------------------|
| Customer Client | Date |
| Drawn By / Dessiné Par: BoxCad: BoxCad | Date: 25-Dec-24 |
| Material / Matière: 12 Ga Cold Rolled A1008 CS Type B (2.5mm) | |
| Color / Couleur: Asa-61 Grey | Finish / Fini: Smooth |

| | |
|------------------------------------------------|-------------|
| Description: 5412ESHD 20" x 20" x 10" Assembly | Detail Rev. |
|------------------------------------------------|-------------|

| | | |
|----------------------------------------------|--------|---|
| Part Number / Numéro Pièce: 5412ESHD202010TH | Rev. 0 | 1 |
|----------------------------------------------|--------|---|

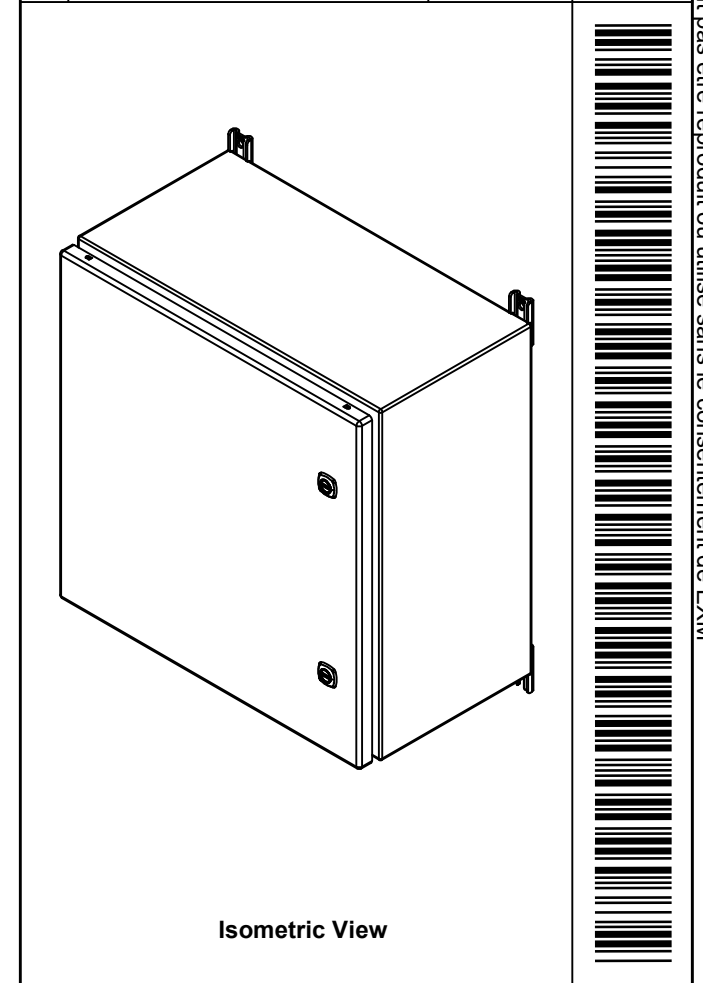
SEE BILL OF MATERIAL ON LAST PAGE


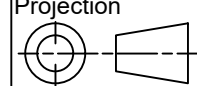
This drawing is confidential and must not be reproduced or used without the consent of EXM

Ce dessin est confidentiel et ne doit pas être reproduit ou utilisé sans le consentement de EXM

| NOTE | |
|------|-------------------------------------------------|
| ITEM | DESCRIPTION |
| 1 | NEMA 4, 12 Enclosure (IP66) |
| 2 | C/W Standard ground studs on box and cover |
| 3 | C/W Standard door stiffener |
| 4 | C/W Standard inner panel (Included) |
| 5 | C/W Standard inner panel mounting studs |
| 6 | C/W 885 ESMF3_OPEN Sold separately (Installed) |
| 7 | C/W 885 ESMF3_CLOSE Sold separately (Installed) |
| 8 | C/W R5 Insulation (Installed aluminum visible) |

| No. | Revisions | Date | By/Par |
|-----|-----------|------|--------|
| | | | |
| | | | |
| | | | |
| | | | |
| | | | |
| | | | |
| | | | |



| | |
|----------------------------------------------------------------------------------------------------------------------------------------------------------------------------------------|---------------------------------------------------------------------------------------|
|  Tél: (450) 979-4373 Fax: (450) 979-4626 www.exmweb.com | Flatness Aplatissement |
| | Max 3.0mm |
| Projection |  |
| Customer Client | Date |
| Drawn By Dessiné Par BoxCad: BoxCad | Date 25-Dec-24 |
| Material Matière 12 Ga Cold Rolled A1008 CS Type B (2.5mm) | |

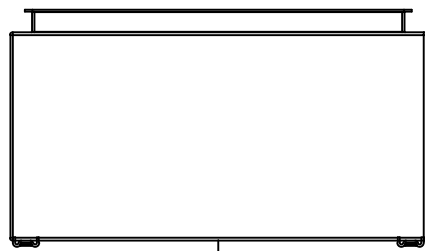
| PACKING | | |
|-----------------------|-----|--------------------------------------------|
| ITEM | QTY | DESCRIPTION |
| Cardboard sleeve | 2 | Top and Bottom |
| Cardboard strip | 2 | Between back of enclosure and inner panel |
| Plastic bag | 1 | To protect cover surface and inside gasket |
| Plastic strap - Black | 2 | To Squeeze the 2 cardboard sleeve together |
| Packaging label | 1 | White label with product number |

| | | | |
|------------|-------------------|-----|--------------------------------------------|
| 4 | STK-Q-00600 | 2 | M12 to M8 Adaptor |
| 1 | 885SP2020G | 0 | 885SP 20" x 20" Inner Panel Part |
| 1 | STK-K-01800 | 5 | 5412 ES Accessory Kit |
| 1 | 5412ESHD202010THC | 0 | 5412ESHD 20" x 20" Cover |
| 1 | 5412ESHD202010THB | 0 | 5412ESHD 20" x 20" x 10" Body |
| 2 | STK-Q-04050-08 | 0 | M6 x 8mm Hexagon Socket Head Machine Screw |
| Qty | Part Number | Rev | Description |
| Parts List | | | |

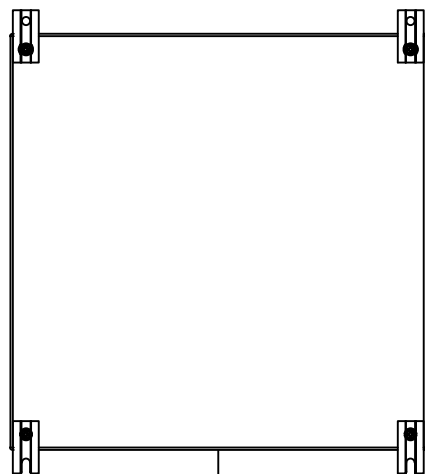
| | | | |
|-----------------------------|-----------------------------------|----------------|-------------|
| Color Couleur | Asa-61 Grey | Finish Fini | Smooth |
| Description | 5412ESHD 20" x 20" x 10" Assembly | | Detail Rev. |
| Part Number Numéro Pièce | 5412ESHD202010TH | | Rev. 2 |
| | | | 0 |
| | | | 16 |

This drawing is confidential and must not be reproduced or used without the consent of EXM

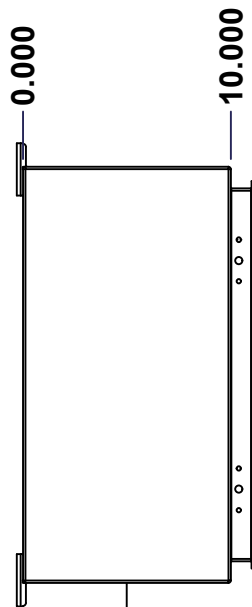
Ce dessin est confidentiel et ne doit pas être reproduit ou utilisé sans le consentement de EXM



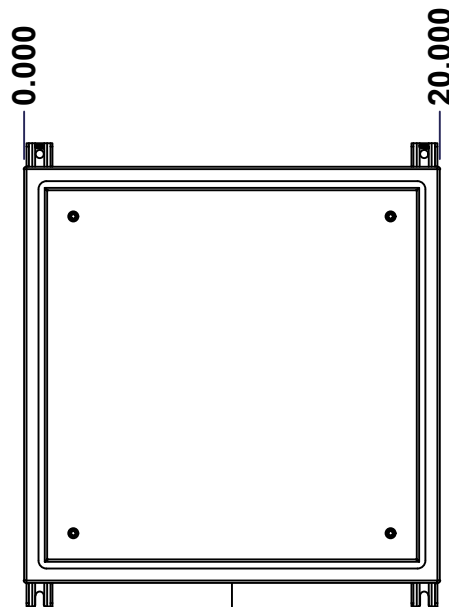
TOP



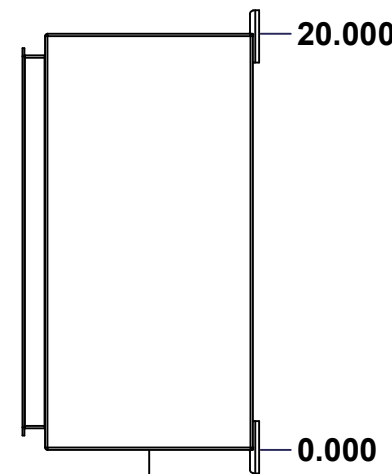
BACK



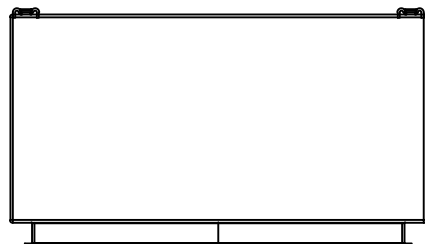
LEFT



FRONT

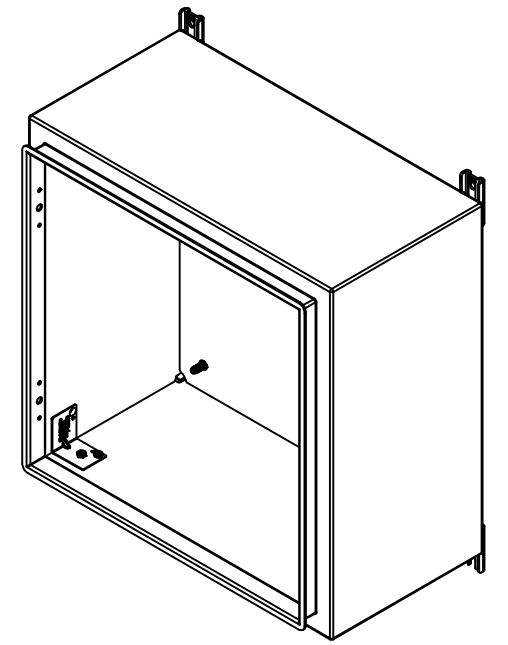


RIGHT



BOTTOM

| No. | Revisions | Date | By/Par |
|-----|-----------|------|--------|
| | | | |
| | | | |
| | | | |
| | | | |



Isometric View



Tél: (450) 979-4373
 Fax: (450) 979-4626
www.exmweb.com

Flatness
Aplatissement
Max 3.0mm
Projection

| | |
|---------------------------------------------------------------|-----------------------|
| Customer Client | Date |
| Drawn By / Dessiné Par: BoxCad: BoxCad | Date: 25-Dec-24 |
| Material / Matière: 12 Ga Cold Rolled A1008 CS Type B (2.5mm) | |
| Color / Couleur: Asa-61 Grey | Finish / Fini: Smooth |
| Description: 5412ESHD 20" x 20" x 10" Body | Detail Rev. |

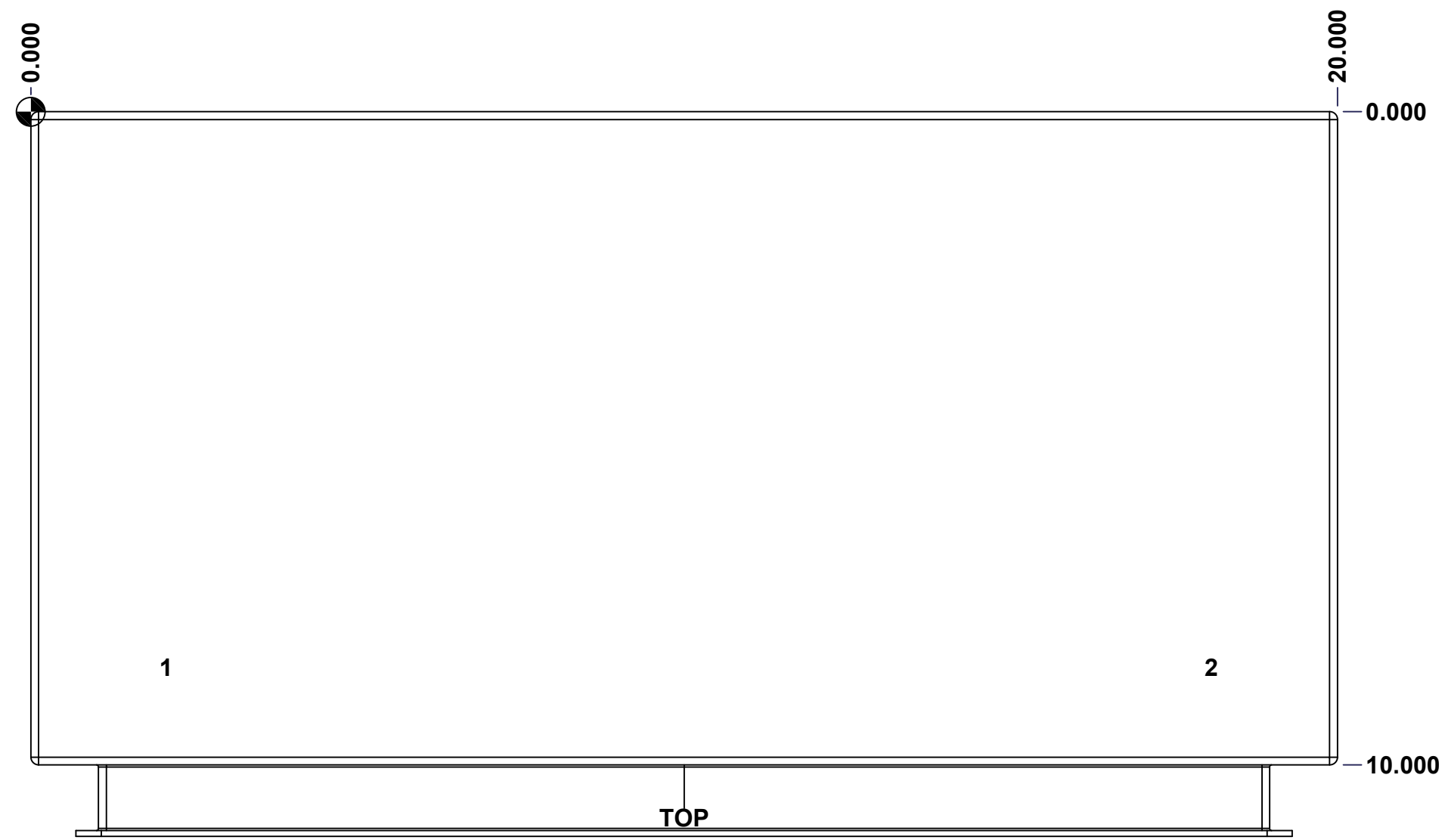
| | | |
|------------------------------------------------------|---------------|--------|
| Part Number / Numéro Pièce: 5412ESHD202010THB | Rev. 0 | 3 / 16 |
|------------------------------------------------------|---------------|--------|

SEE BILL OF MATERIAL ON LAST PAGE

This drawing is confidential and must not be reproduced or used without the consent of EXM

Ce dessin est confidentiel et ne doit pas être reproduit ou utilisé sans le consentement de EXM

| STANDARD FEATURES ARE NOT LISTED IN THIS HOLE TABLE | | | |
|-----------------------------------------------------|--------|-------|--------------------------------|
| HOLE TABLE - TOP VIEW (CUSTOM FEATURE ONLY) | | | |
| CUT-OUT | XDIM | YDIM | DESCRIPTION |
| 1 | 2.000 | 8.500 | INSUL. STUD M6 x 18mm (Inside) |
| 2 | 18.000 | 8.500 | INSUL. STUD M6 x 18mm (Inside) |

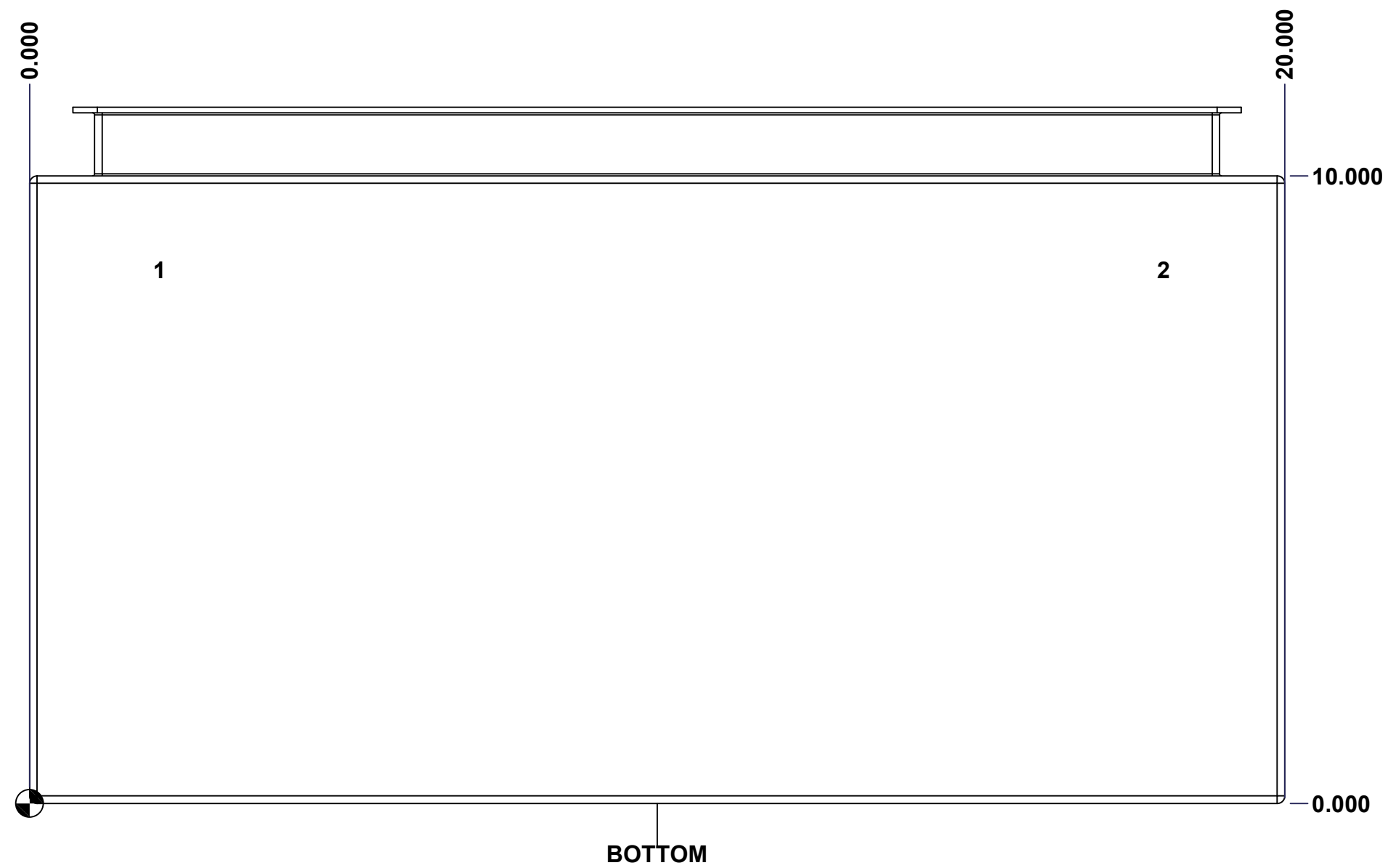


| | | |
|--|-------------------------------|--------------|
| | Description | Status |
| | 5412ESHD 20" x 20" x 10" Body | (NULL) |
| | Part Number Numéro Pièce | Rev. |
| | 5412ESHD202010THB | 0 / 4 |
| | | 16 |

This drawing is confidential and must not be reproduced or used without the consent of EXM

Ce dessin est confidentiel et ne doit pas être reproduit ou utilisé sans le consentement de EXM

| STANDARD FEATURES ARE NOT LISTED IN THIS HOLE TABLE | | | |
|------------------------------------------------------------|--------|-------|--------------------------------|
| HOLE TABLE - BOTTOM VIEW (CUSTOM FEATURE ONLY) | | | |
| CUT-OUT | XDIM | YDIM | DESCRIPTION |
| 1 | 2.000 | 8.500 | INSUL. STUD M6 x 18mm (Inside) |
| 2 | 18.000 | 8.500 | INSUL. STUD M6 x 18mm (Inside) |



| | | |
|--|-------------------------------|--------------|
| | Description | Status |
| | 5412ESHD 20" x 20" x 10" Body | (NULL) |
| | Part Number Numéro Pièce | Rev. |
| | 5412ESHD202010THB | 0 / 5 |
| | | 16 |

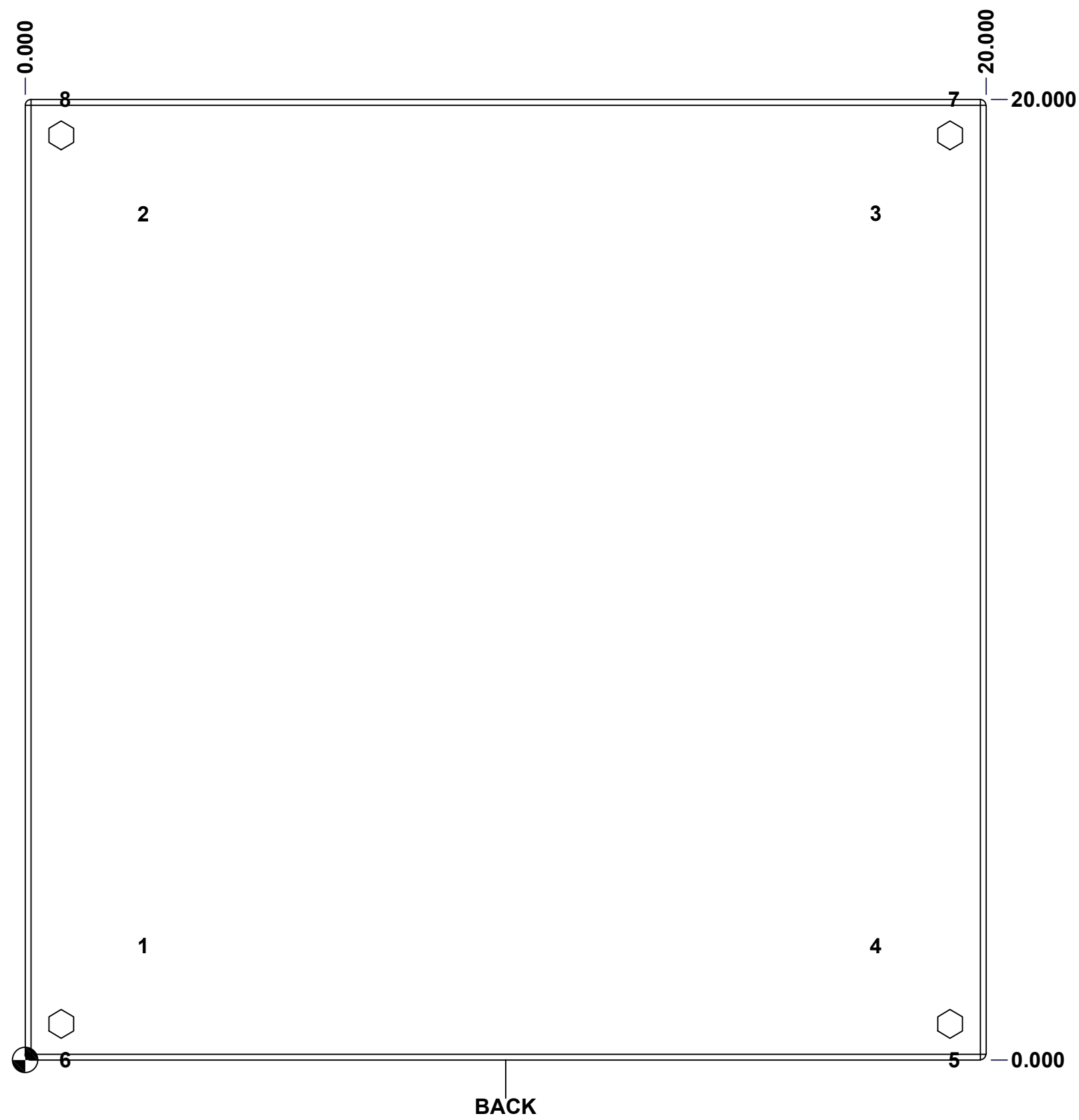
This drawing is confidential and must not be reproduced or used without the consent of EXM

Ce dessin est confidentiel et ne doit pas être reproduit ou utilisé sans le consentement de EXM

STANDARD FEATURES ARE NOT LISTED IN THIS HOLE TABLE

HOLE TABLE - BACK VIEW (CUSTOM FEATURE ONLY)

| CUT-OUT | XDIM | YDIM | DESCRIPTION |
|---------|--------|--------|----------------------------|
| 1 | 2.375 | 2.375 | IP STUD M8 x 35mm (Inside) |
| 2 | 2.375 | 17.625 | IP STUD M8 x 35mm (Inside) |
| 3 | 17.625 | 17.625 | IP STUD M8 x 35mm (Inside) |
| 4 | 17.625 | 2.375 | IP STUD M8 x 35mm (Inside) |
| ----- | | | |
| 5 | 19.250 | 0.000 | FOOT 885 ESMF3_OPEN |
| 6 | 0.750 | 0.000 | FOOT 885 ESMF3_OPEN |
| 7 | 19.250 | 20.000 | FOOT 885 ESMF3_CLOSE |
| 8 | 0.750 | 20.000 | FOOT 885 ESMF3_CLOSE |

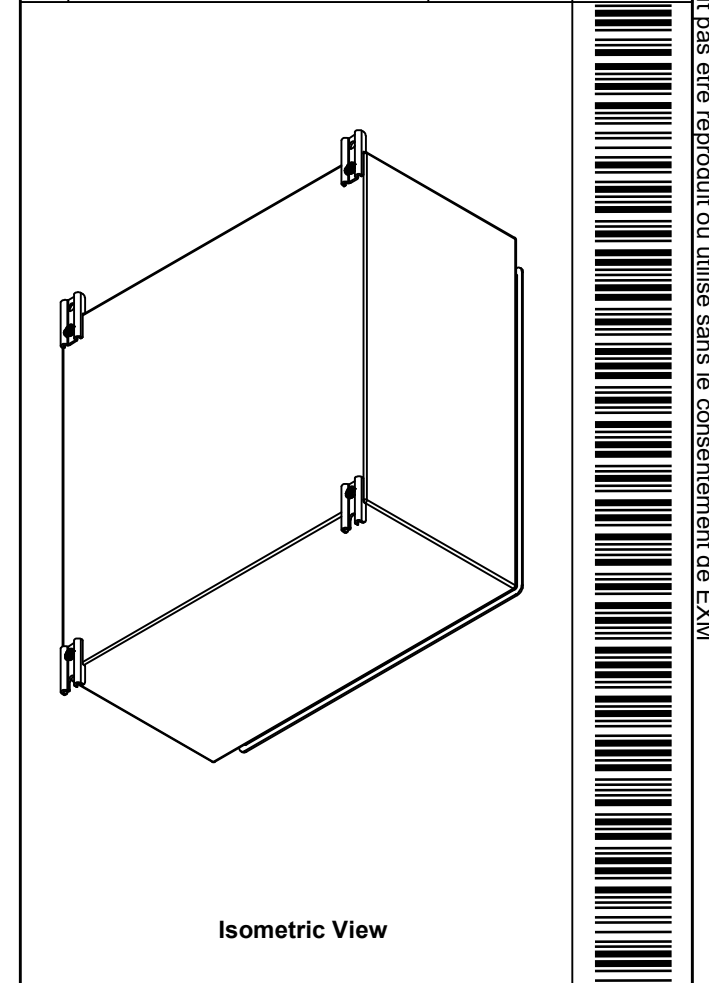


| | | |
|---------------------------------------------------------|-------------------------------|--------|
| | Description | Status |
| | 5412ESHD 20" x 20" x 10" Body | (NULL) |
| Part Number Numéro Pièce 5412ESHD202010THB | Rev. | 6 |
| | 0 | 16 |

This drawing is confidential and must not be reproduced or used without the consent of EXM


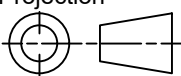
Ce dessin est confidentiel et ne doit pas être reproduit ou utilisé sans le consentement de EXM

| No. | Revisions | Date | By/Par |
|-----|-----------|------|--------|
| | | | |
| | | | |
| | | | |
| | | | |
| | | | |



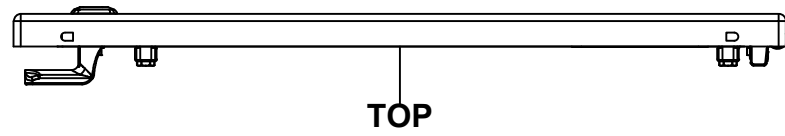
Isometric View

| 1 | 885 ESMF3 | 0 | 885 ESMF3 Mounting Foot Kit |
|------------|----------------------|-----|----------------------------------------|
| 4 | RIVET_NUT_M10_FH_CE | 0 | Rivet Nut M10 (Low Profile Close End) |
| 1 | STK-K-70554 | 3 | 5412 ESTH Accessory Kit |
| 1 | 5412ESHD202010THI-RS | 0 | 5412ESHD 20" x 20" Right Insulation |
| 1 | 5412ESHD202010THI-LS | 0 | 5412ESHD 20" x 20" Left Insulation |
| 1 | 5412ESHD202010THI-BT | 0 | 5412ESHD 20" x 20"Bottom Insulation |
| 1 | 5412ESHD202010THI-TP | 0 | 5412ESHD 20" x 20"Top Insulation |
| 1 | 5412ESHD202010THI-B | 0 | 5412ESHD 20" x 20" Back Insulation |
| 4 | STK-Q-16055 | 1 | M6 x 18mm Stud (No Paint Cap Required) |
| 1 | STK-P-02400S | 0 | Powder Paint (Asa-61 Grey / Smooth) |
| 4 | STK-Q-16005 | 0 | Stud M8 x 35mm Steel |
| 1 | 5412ESHD202010THB-P | 0 | 5412ESHD 20" x 20" x 10" Body Part |
| Qty | Part Number | Rev | Description |
| Parts List | | | |

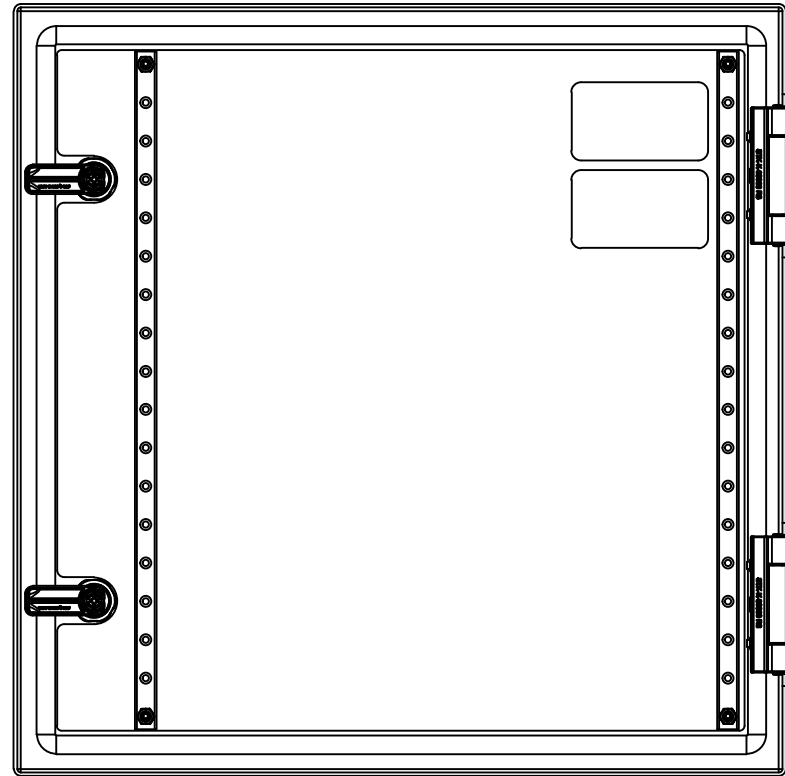
| | | |
|----------------------------------------------------------------------------------------------------------------------------------------------------------------------------------------|-------------------------------------------|-----------------------------------------------------------------------------------------------------------------------------------------------|
|  Tél: (450) 979-4373 Fax: (450) 979-4626 www.exmweb.com | | Flatness Aplatissement Max 3.0mm Projection  |
| Customer Client | Date | |
| Drawn By Dessiné Par | BoxCad: BoxCad | Date 25-Dec-24 |
| Material Matière | 12 Ga Cold Rolled A1008 CS Type B (2.5mm) | |
| Color Couleur | Asa-61 Grey | Finish Fini Smooth |
| Description | | Detail Rev. |
| 5412ESHD 20" x 20" x 10" Body | | |
| Part Number Numéro Pièce | Rev. | 7 |
| 5412ESHD202010THB | 0 | 16 |

This drawing is confidential and must not be reproduced or used without the consent of EXM

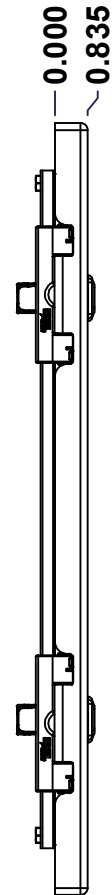
Ce dessin est confidentiel et ne doit pas être reproduit ou utilisé sans le consentement de EXM



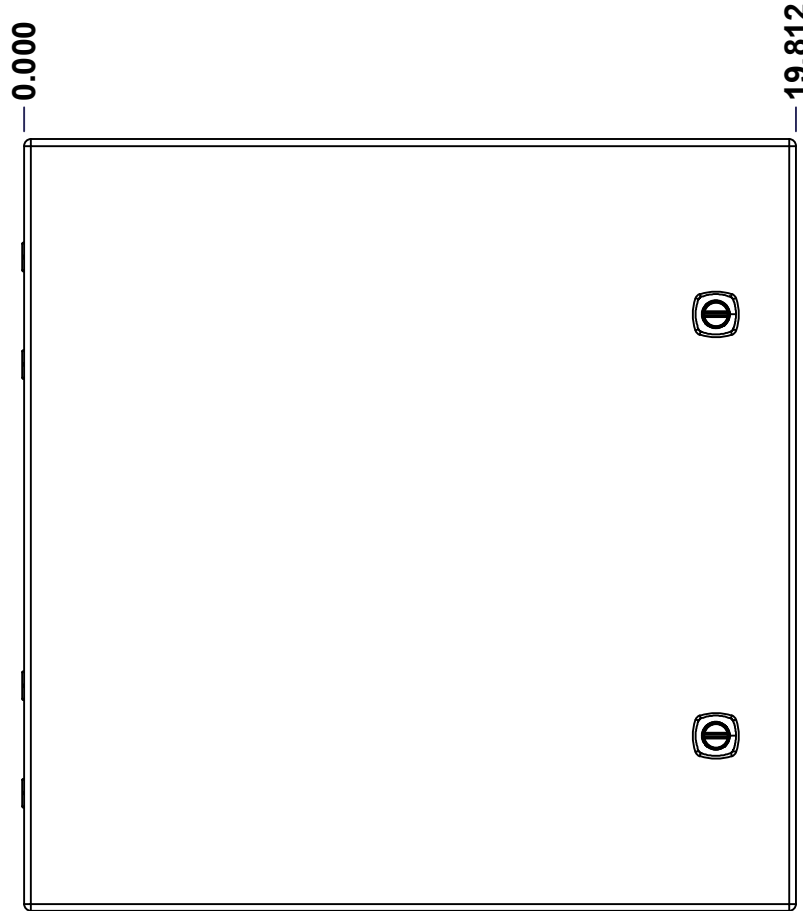
TOP



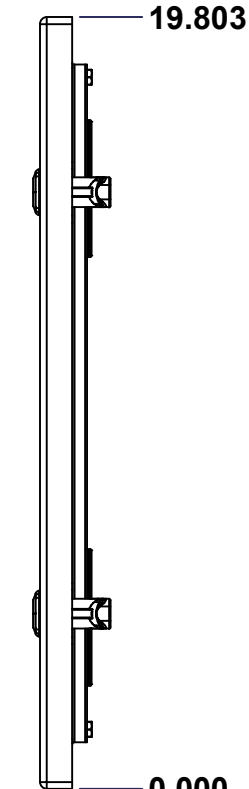
BACK



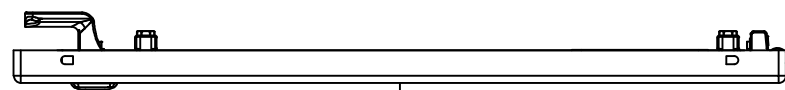
LEFT



FRONT

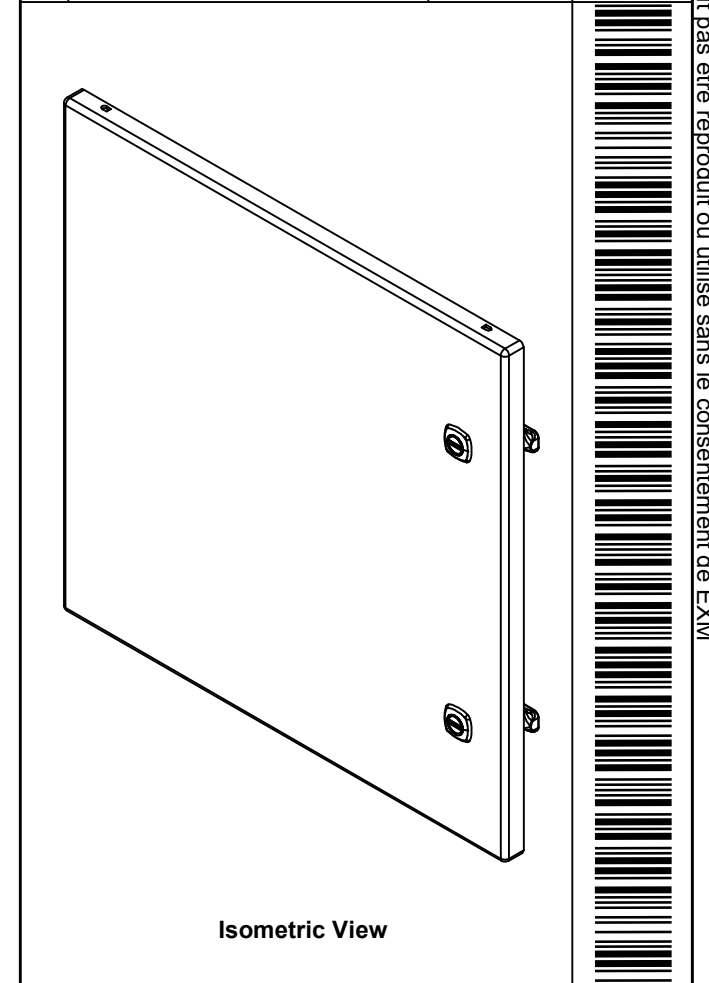


RIGHT


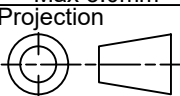


BOTTOM

| No. | Revisions | Date | By/Par |
|-----|-----------|------|--------|
| | | | |
| | | | |
| | | | |
| | | | |



Isometric View

| | | |
|----------------------------------------------------------------------------------------------------------------------------------------------------------------------------------------|-------------------------------------------|-----------------------------------------------------------------------------------------------------------------------------------------------|
|  Tél: (450) 979-4373 Fax: (450) 979-4626 www.exmweb.com | | Flatness Aplatissement Max 3.0mm Projection  |
| Customer Client | Date | |
| Drawn By Dessiné Par | BoxCad: BoxCad | Date 25-Dec-24 |
| Material Matière | 12 Ga Cold Rolled A1008 CS Type B (2.5mm) | |
| Color Couleur | Asa-61 Grey | Finish Fini Smooth |
| Description | | Detail Rev. |
| 5412ESHD 20" x 20" Cover | | |
| Part Number Numéro Pièce | Rev. 8 | 16 |
| SEE BILL OF MATERIAL ON LAST PAGE | | 0 |

SEE BILL OF MATERIAL ON LAST PAGE

5412ESHD202010THC

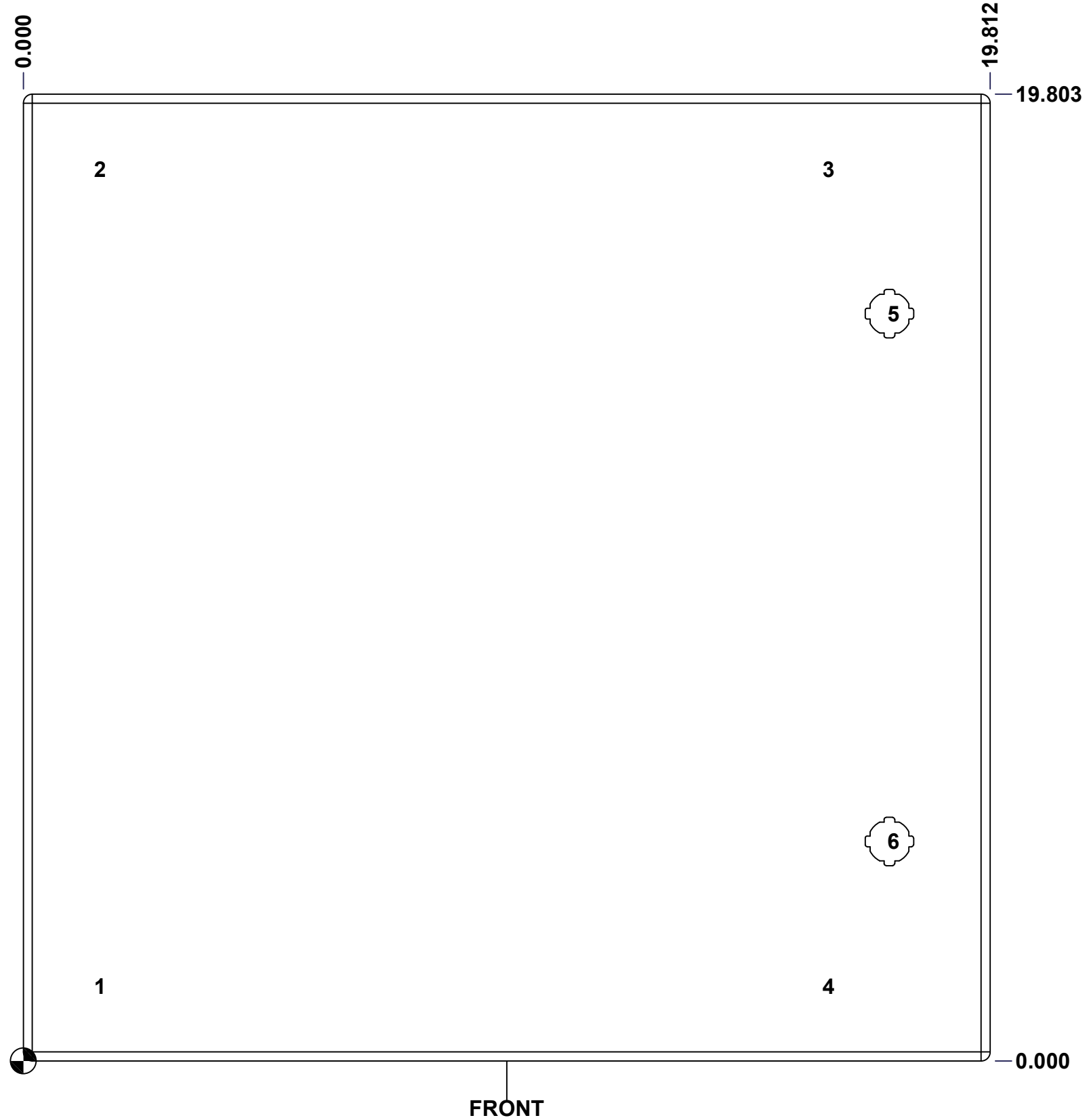
This drawing is confidential and must not be reproduced or used without the consent of EXM

Ce dessin est confidentiel et ne doit pas être reproduit ou utilisé sans le consentement de EXM

STANDARD FEATURES ARE NOT LISTED IN THIS HOLE TABLE

HOLE TABLE - FRONT VIEW (CUSTOM FEATURE ONLY)

| CUT-OUT | XDIM | YDIM | DESCRIPTION |
|---------|--------|--------|-------------------------|
| 1 | 1.486 | 1.535 | STUD M6 x 18mm (Inside) |
| 2 | 1.486 | 18.268 | STUD M6 x 18mm (Inside) |
| 3 | 16.423 | 18.268 | STUD M6 x 18mm (Inside) |
| 4 | 16.423 | 1.535 | STUD M6 x 18mm (Inside) |
| ----- | | | |
| 5 | 17.750 | 15.308 | LOCK 889 SCQ4-SL @ 0.0° |
| 6 | 17.750 | 4.496 | LOCK 889 SCQ4-SL @ 0.0° |



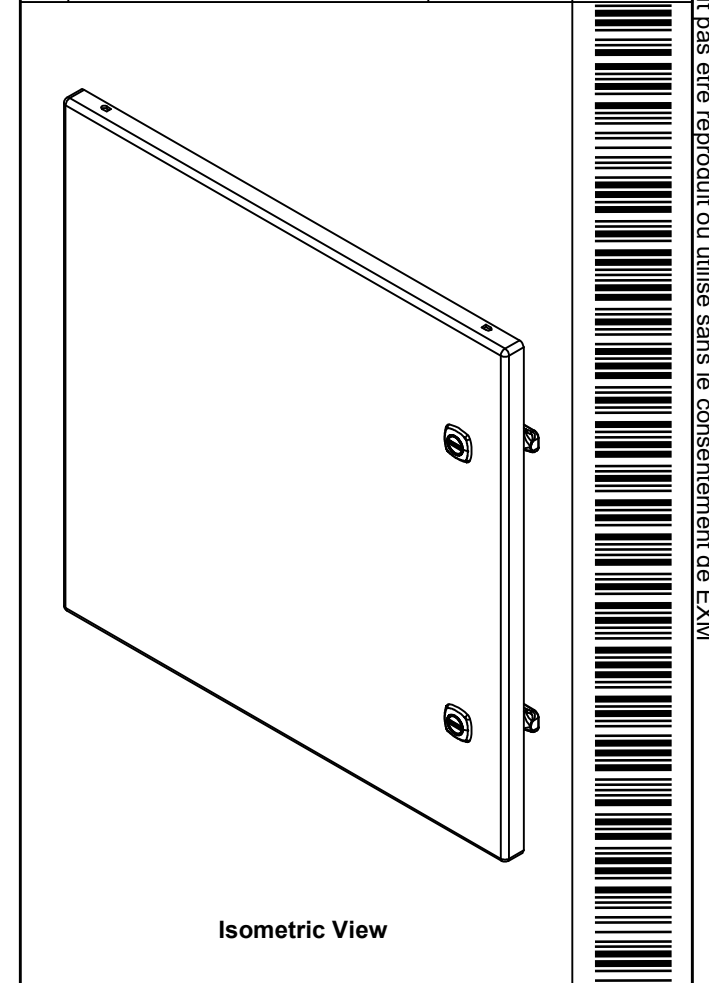
FRONT

| | | |
|--|-----------------------------|--------------|
| | Description | Status |
| | 5412ESHD 20" x 20" Cover | (NULL) |
| | Part Number Numéro Pièce | Rev. |
| | 5412ESHD202010THC | 0 / 9 |
| | | 16 |

This drawing is confidential and must not be reproduced or used without the consent of EXM

Ce dessin est confidentiel et ne doit pas être reproduit ou utilisé sans le consentement de EXM

| No. | Revisions | Date | By/Par |
|-----|-----------|------|--------|
| | | | |
| | | | |
| | | | |
| | | | |
| | | | |




 Tél: (450) 979-4373
 Fax: (450) 979-4626
www.exmweb.com

Flatness
Aplatissement
 Max 3.0mm
Projection


| | | | |
|---|---------------------|---|----------------------------------------|
| 2 | STK-S-00100 | 0 | 3.5" x 2" Silver Milar Flexcon Sticker |
| 4 | STK-Q-07250 | 2 | M6 x 16mm Collar Nut |
| 2 | STK-Q-46020-20 | 5 | 5412 ES Vertical Door Stiffener 20" |
| 1 | 5412ESHD202010THI-C | 0 | 5412ESHD 20" x 20" Cover Insulation |
| 1 | STK-P-02400S | 0 | Powder Paint (Asa-61 Grey / Smooth) |
| 4 | STK-Q-16055 | 1 | M6 x 18mm Stud (No Paint Cap Required) |
| 1 | 5412ESHD202010THG | 0 | 5412ESHD 20" x 20" Door Gasket |
| 1 | 5412ESHD202010THC-P | 0 | 5412ESHD 20" x 20" Cover Part |
| 2 | STK-K-09860 | 7 | Cabinet Hinge with Captive Pins |
| 2 | STK-K-12580 | 0 | 9412 1/4 Turn Lock |

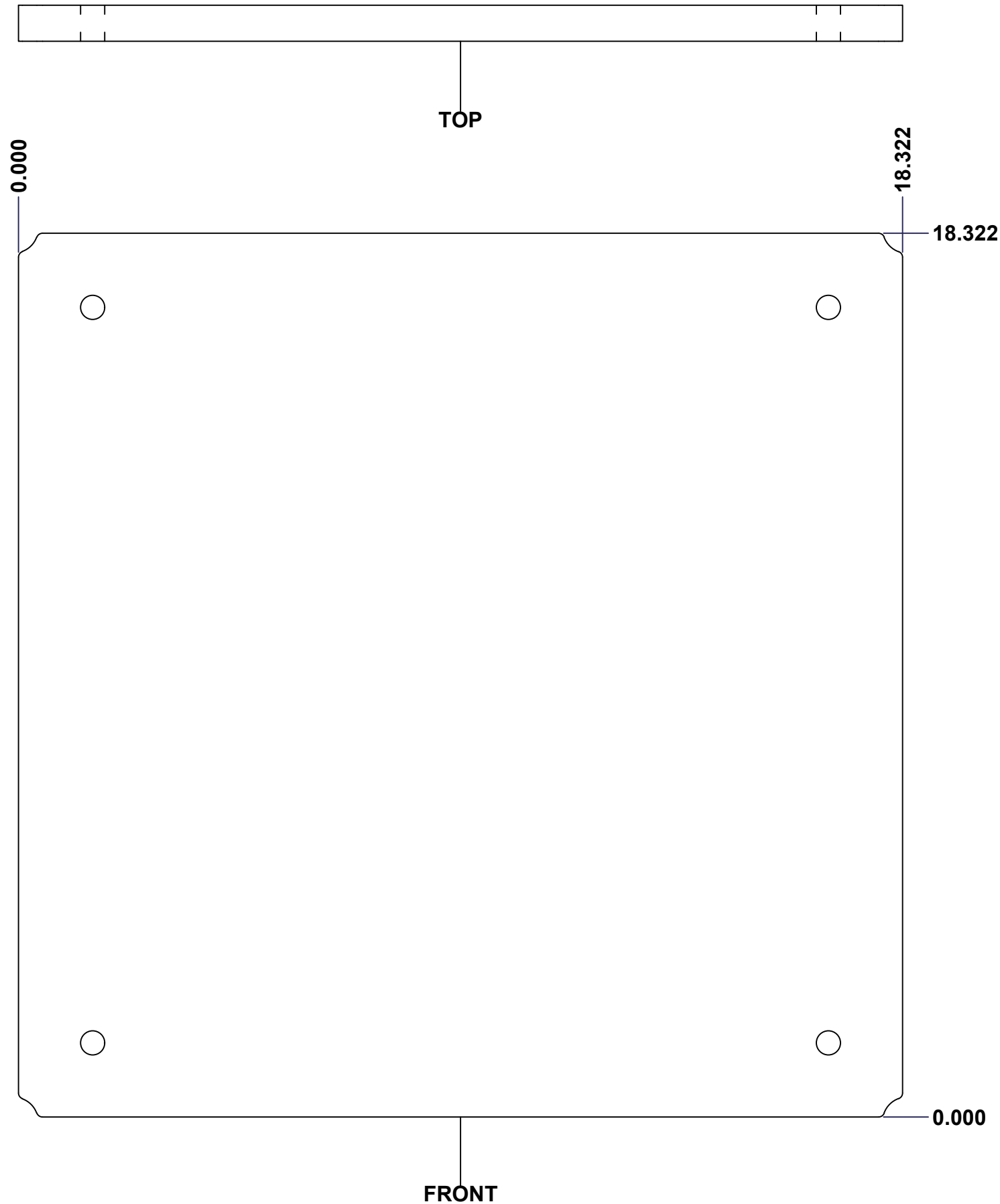
| | |
|---------------------------------------------------------------|-----------------------|
| Customer Client | Date |
| Drawn By Dessiné Par BoxCad: BoxCad | Date 25-Dec-24 |
| Material Matière 12 Ga Cold Rolled A1008 CS Type B (2.5mm) | |
| Color Couleur Asa-61 Grey | Finish Fini Smooth |
| Description 5412ESHD 20" x 20" Cover | Detail Rev. |

| QTY | Part Number | Rev | Description |
|------------|-------------|-----|-------------|
| Parts List | | | |

| | | |
|---------------------------------------------------------|------------------|----------|
| Part Number Numéro Pièce 5412ESHD202010THC | Rev. 0 | 10 16 |
|---------------------------------------------------------|------------------|----------|

This drawing is confidential and must not be reproduced or used without the consent of EXM

Ce dessin est confidentiel et ne doit pas être reproduit ou utilisé sans le consentement de EXM



| No. | Revisions | Date | By/Par |
|-----|-----------|------|--------|
| | | | |
| | | | |
| | | | |
| | | | |
| | | | |

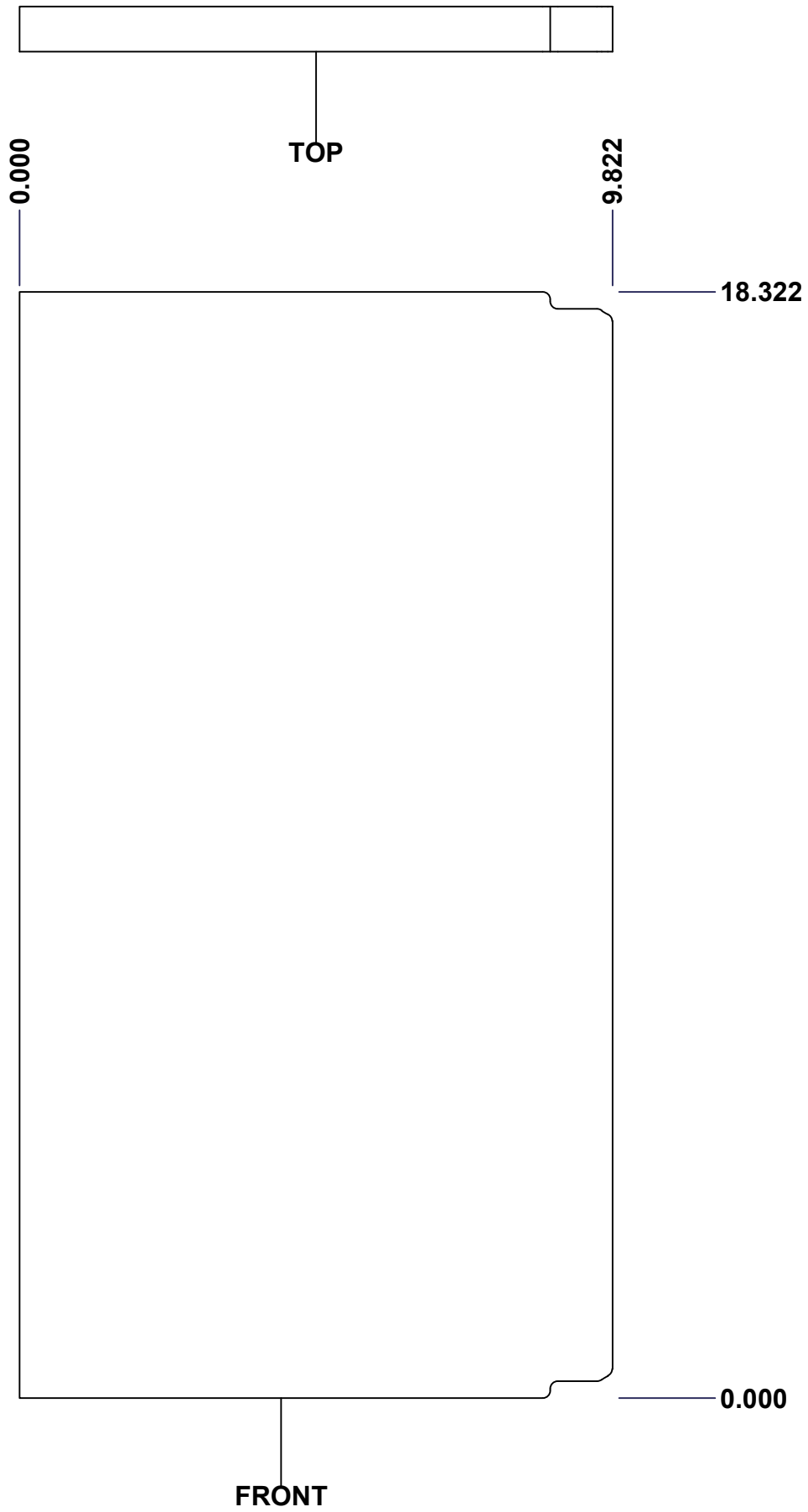
Isometric View

| | | |
|-----------------------------------------------------------------------------------------------------------|---------------------------|----------------------------------------------------------|
| <p>Tél: (450) 979-4373 Fax: (450) 979-4626 www.exmweb.com</p> | | Flatness Aplatissement Max 3.0mm Projection |
| Customer Client | Date | |
| Drawn By Dessiné Par | BoxCad: Patrick Deschenes | Date 23-Jan-07 |
| Material Matière | Polyisocyanurate | |
| Color Couleur | Aluminum | Finish Fini N/A |
| Description | Detail Rev. | |
| 5412ESHD 20" x 20" Back Insulation | | |
| Part Number Numéro Pièce | Rev. | 11 |
| 5412ESHD202010THI-B | 0 | 16 |

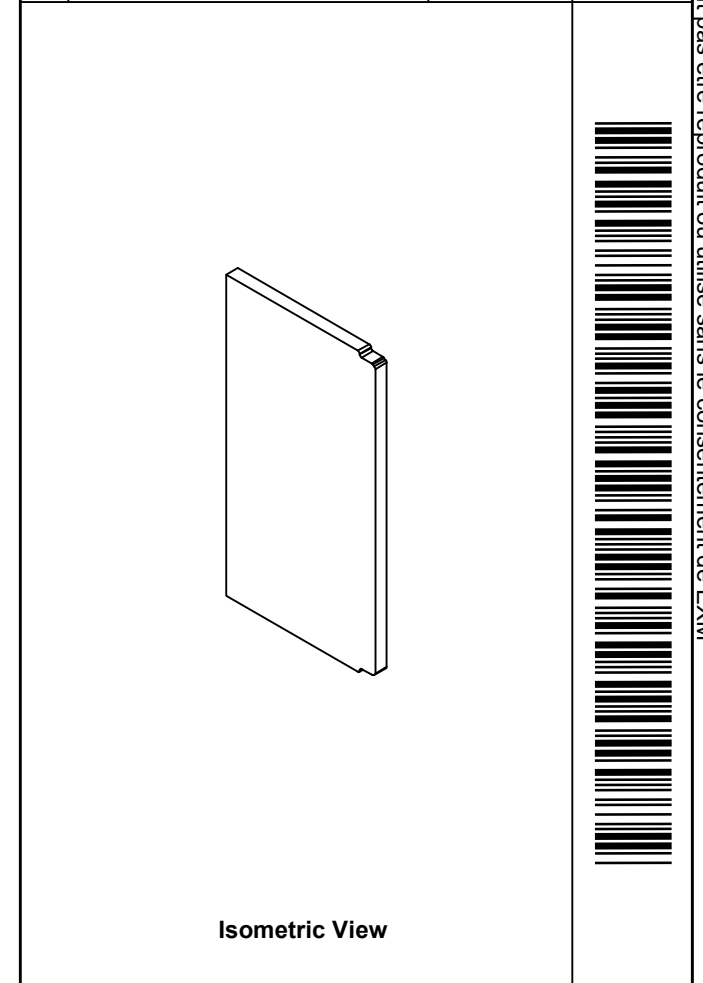
SEE BILL OF MATERIAL ON LAST PAGE


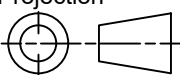
This drawing is confidential and must not be reproduced or used without the consent of EXM

Ce dessin est confidentiel et ne doit pas être reproduit ou utilisé sans le consentement de EXM



| No. | Revisions | Date | By/Par |
|-----|-----------|------|--------|
| | | | |
| | | | |
| | | | |
| | | | |
| | | | |

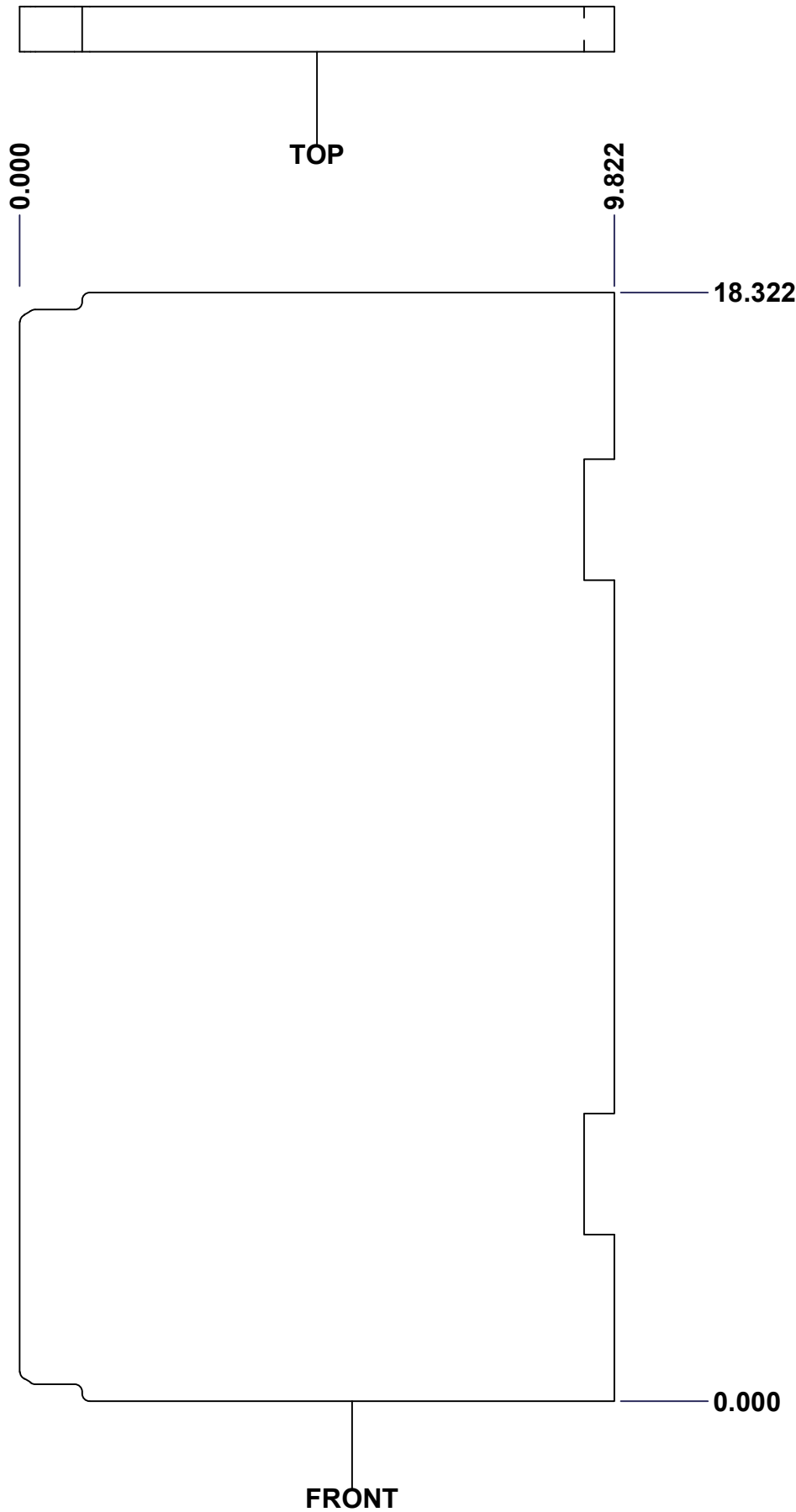


| | | |
|----------------------------------------------------------------------------------------------------------------------------------------------------------------------------------------|--------------------|----------------------------------------|
|  Tél: (450) 979-4373 Fax: (450) 979-4626 www.exmweb.com | | Flatness Aplatissement Max 3.0mm |
| Projection  | | Date 23-Jan-07 |
| Customer Client | Date | |
| Drawn By / Dessiné Par: BoxCad: Patrick Deschenes | Date: 23-Jan-07 | |
| Material / Matière: Polyisocyanurate | Date | |
| Color / Couleur: Aluminum | Finish / Fini: N/A | Date |
| Description: 5412ESHD 20" x 20" Left Insulation | | Detail Rev. |
| Part Number / Numéro Pièce: 5412ESHD202010THI-LS | Rev. 0 | 12 / 16 |

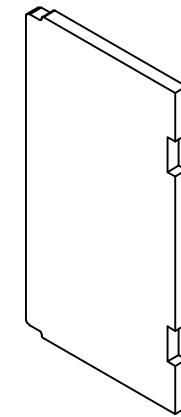
SEE BILL OF MATERIAL ON LAST PAGE

This drawing is confidential and must not be reproduced or used without the consent of EXM

Ce dessin est confidentiel et ne doit pas être reproduit ou utilisé sans le consentement de EXM


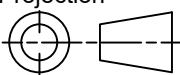


| No. | Revisions | Date | By/Par |
|-----|-----------|------|--------|
| | | | |
| | | | |
| | | | |
| | | | |
| | | | |



Isometric View

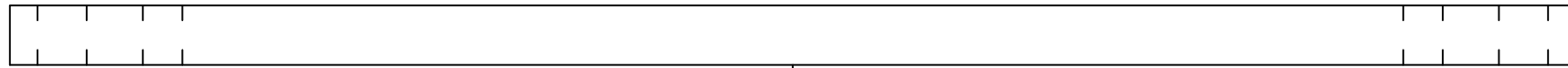


| | | |
|----------------------------------------------------------------------------------------------------------------------------------------------------------------------------------------|--------------------|----------------------------------------|
|  Tél: (450) 979-4373 Fax: (450) 979-4626 www.exmweb.com | | Flatness Aplatissement Max 3.0mm |
| Projection  | | Date 23-Jan-07 |
| Customer Client | Date | |
| Drawn By / Dessiné Par: BoxCad: Patrick Deschenes | Date: 23-Jan-07 | |
| Material / Matière: Polyisocyanurate | Date | |
| Color / Couleur: Aluminum | Finish / Fini: N/A | Date |
| Description: 5412ESHD 20" x 20" Right Insulation | | Detail Rev. |
| Part Number / Numéro Pièce: 5412ESHD202010THI-RS | Rev. 0 | 13 / 16 |

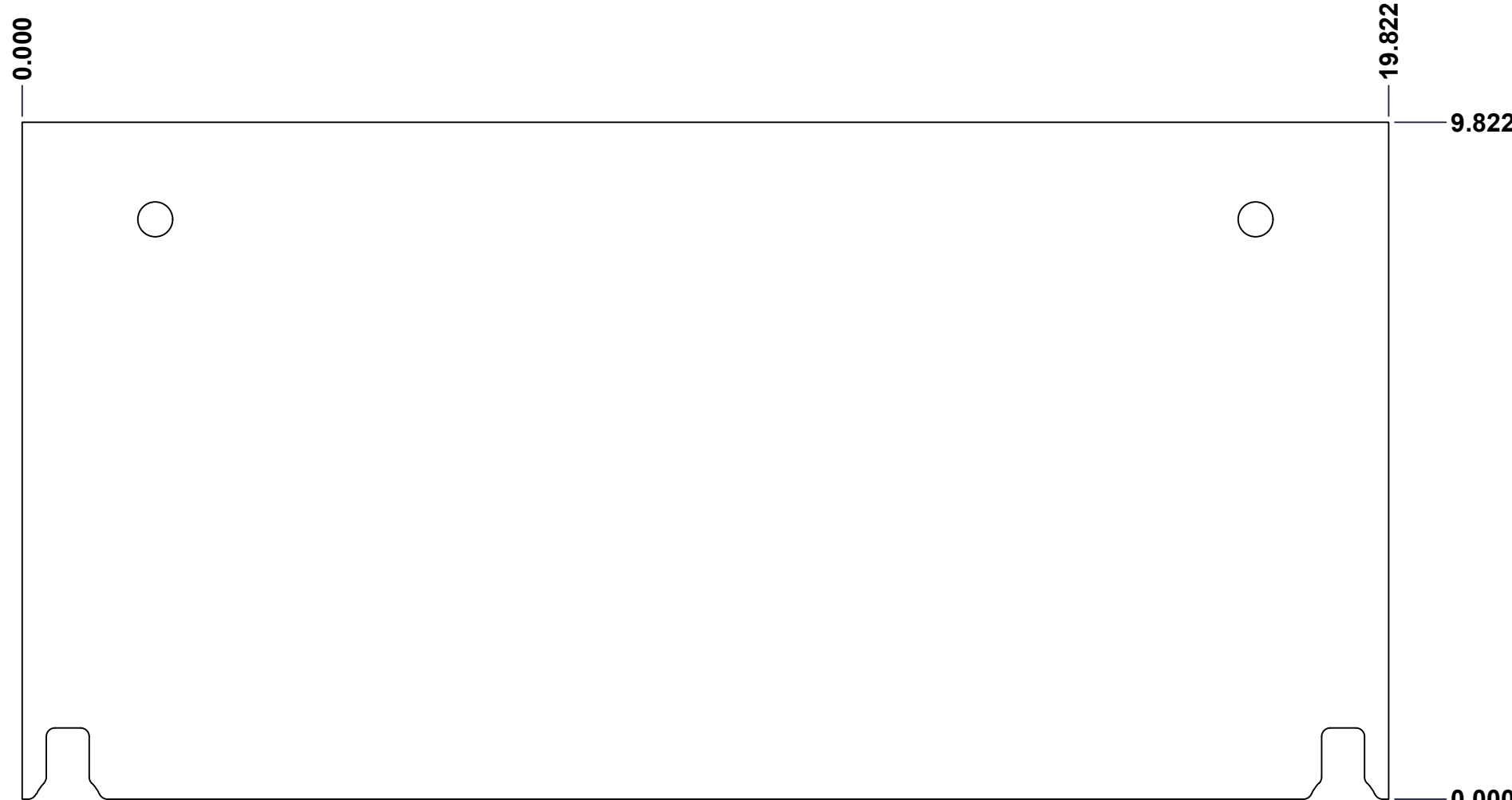
SEE BILL OF MATERIAL ON LAST PAGE

This drawing is confidential and must not be reproduced or used without the consent of EXM

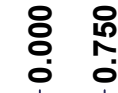
Ce dessin est confidentiel et ne doit pas être reproduit ou utilisé sans le consentement de EXM



TOP

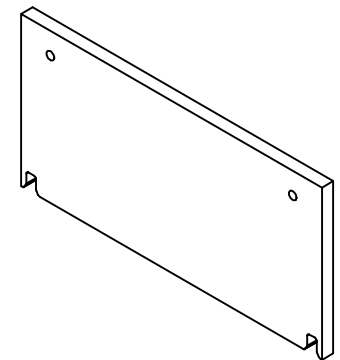


FRONT



RIGHT

| No. | Revisions | Date | By/Par |
|-----|-----------|------|--------|
| | | | |
| | | | |
| | | | |
| | | | |
| | | | |



Isometric View



Tél: (450) 979-4373
 Fax: (450) 979-4626
www.exmweb.com

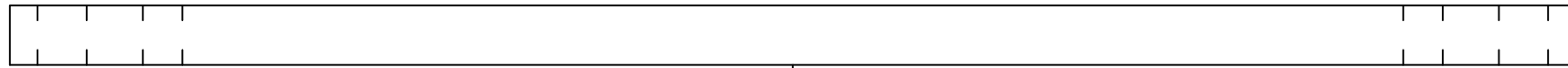
Flatness
 Aplatissement
 Max 3.0mm
 Projection

| | |
|---------------------------------------------------------|-----------------------|
| Customer Client | Date |
| Drawn By Dessiné Par BoxCad: BoxCad | Date 4/3/2024 |
| Material Matière Polyisocyanurate | |
| Color Couleur Aluminum | Finish Fini Smooth |
| Description 5412ESHD 20" x 20"Top Insulation | Detail Rev. |
| Part Number Numéro Pièce 5412ESHD202010THI-TP | Rev. 0 |

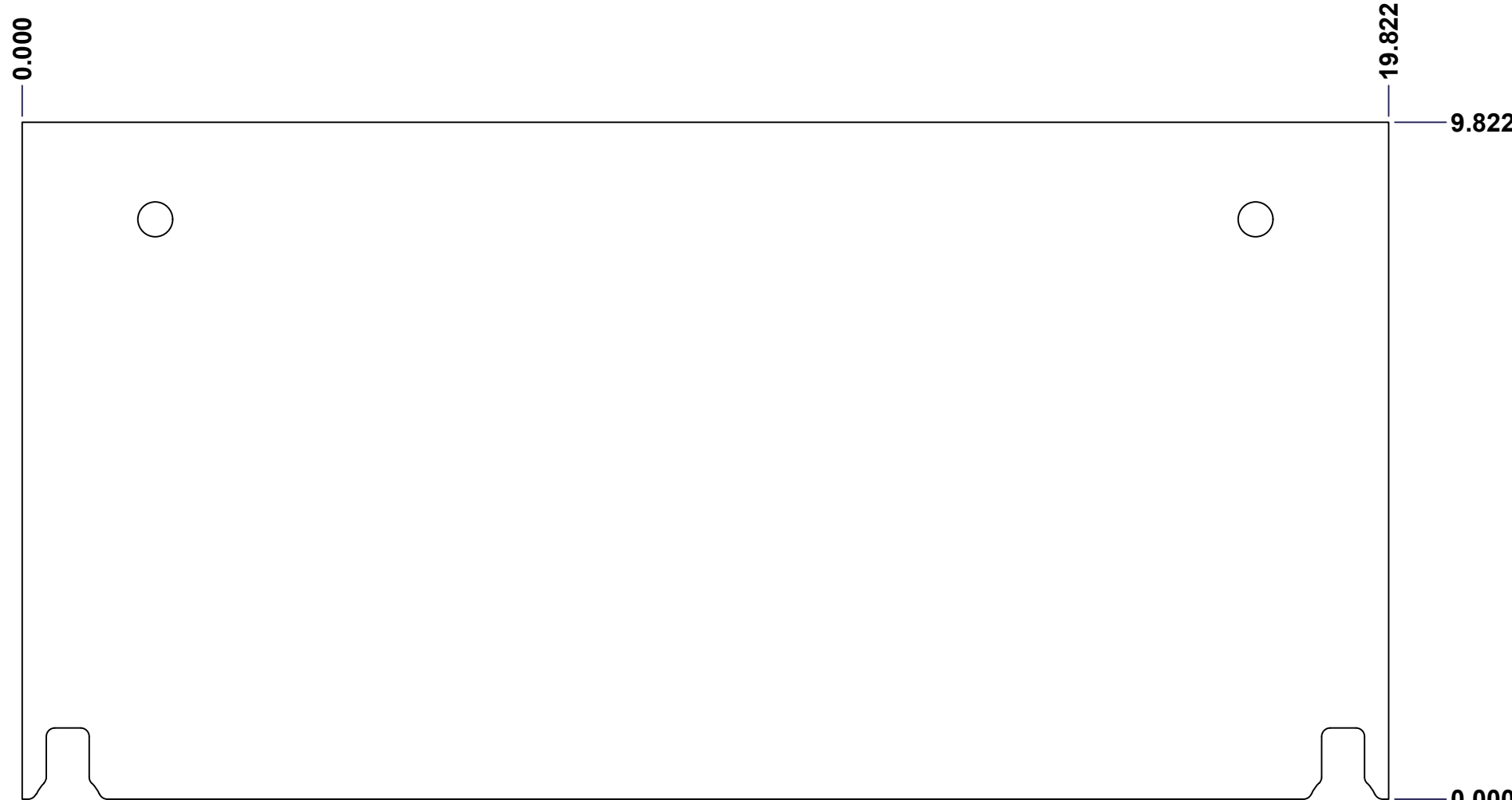
SEE BILL OF MATERIAL ON LAST PAGE

This drawing is confidential and must not be reproduced or used without the consent of EXM

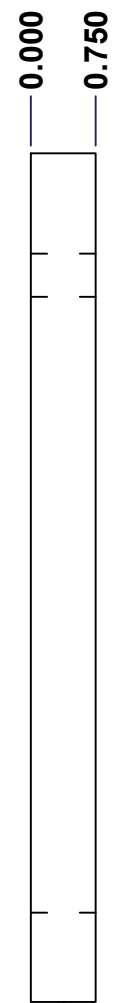
Ce dessin est confidentiel et ne doit pas être reproduit ou utilisé sans le consentement de EXM



TOP

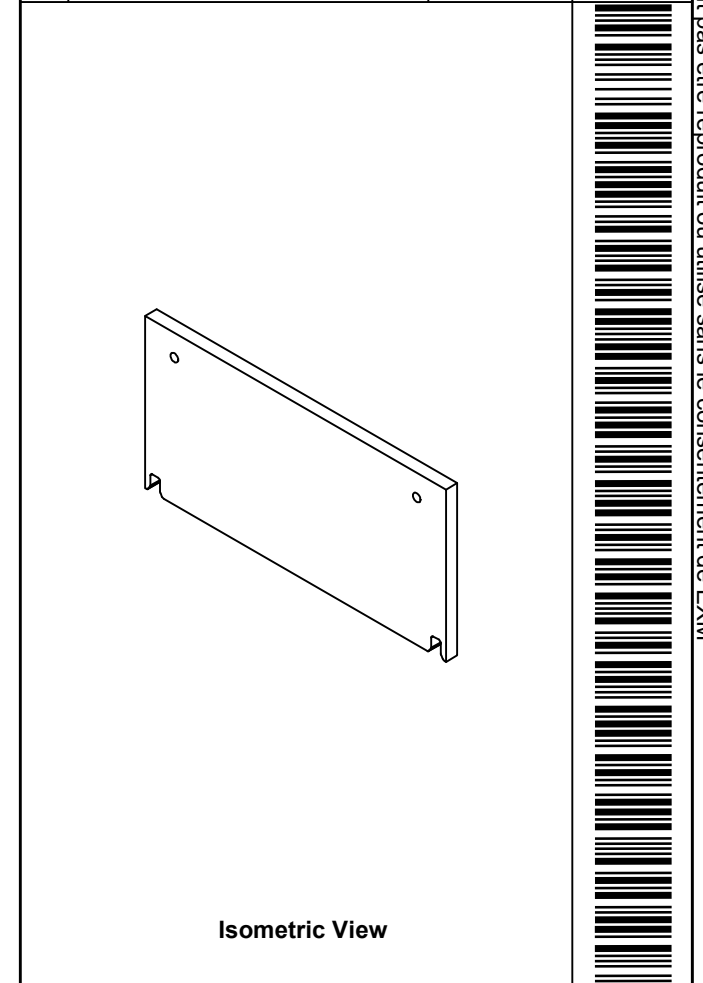


FRONT



RIGHT

| No. | Revisions | Date | By/Par |
|-----|-----------|------|--------|
| | | | |
| | | | |
| | | | |
| | | | |
| | | | |



Isometric View



Tél: (450) 979-4373
 Fax: (450) 979-4626
www.exmweb.com

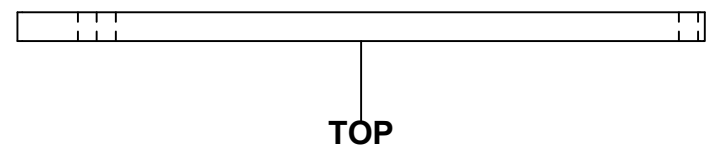
Flatness
Aplatissement
Max 3.0mm
Projection

| | |
|--------------------------------------------------|-----------------------|
| Customer Client | Date |
| Drawn By / Dessiné Par: BoxCad: BoxCad | Date: 4/3/2024 |
| Material / Matière: Polyisocyanurate | |
| Color / Couleur: Aluminum | Finish / Fini: Smooth |
| Description: 5412ESHD 20" x 20"Bottom Insulation | Detail Rev. |
| Part Number / Numéro Pièce: 5412ESHD202010THI-BT | Rev. 15 |
| SEE BILL OF MATERIAL ON LAST PAGE | 0 |

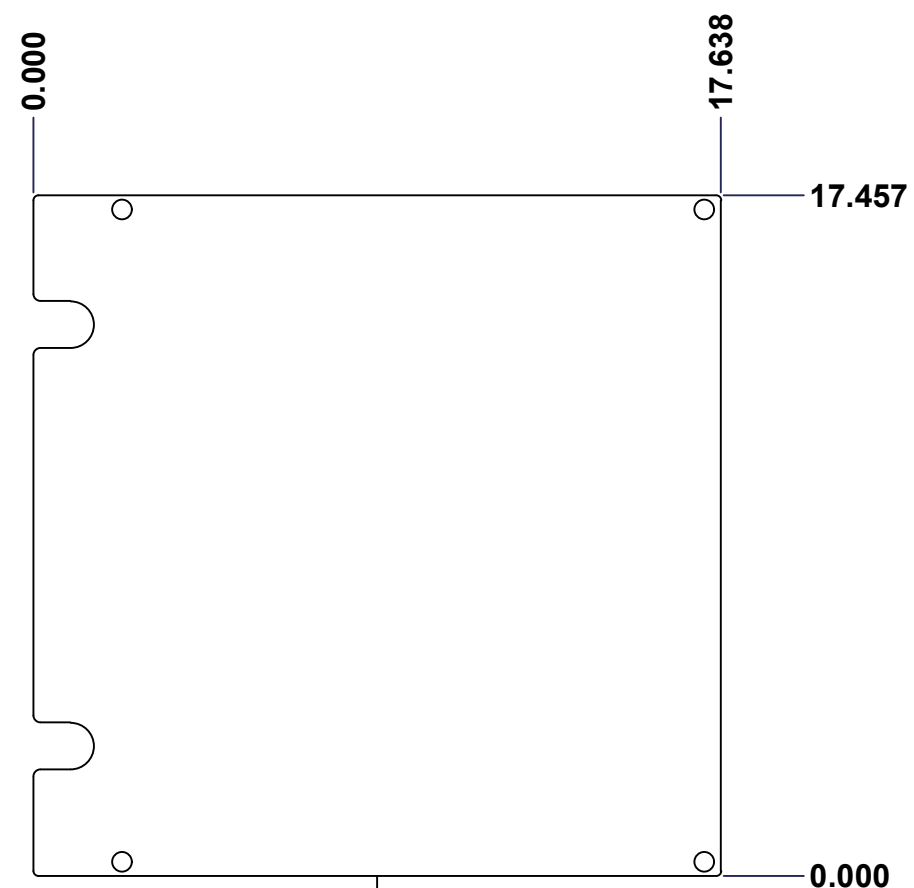
SEE BILL OF MATERIAL ON LAST PAGE

This drawing is confidential and must not be reproduced or used without the consent of EXM

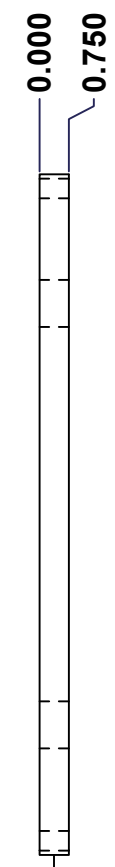
Ce dessin est confidentiel et ne doit pas être reproduit ou utilisé sans le consentement de EXM



TOP

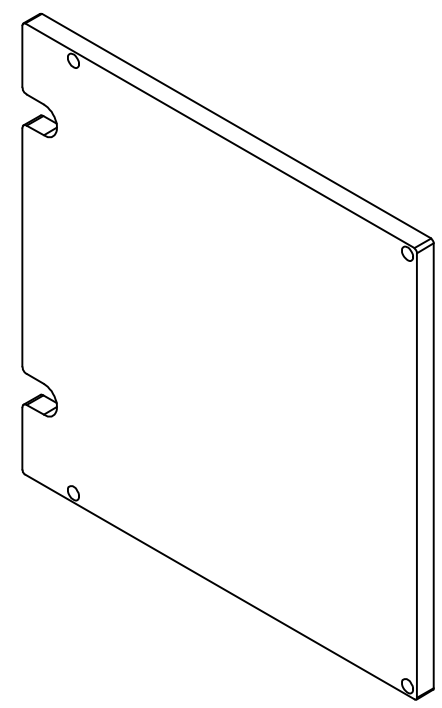


FRONT



RIGHT

| No. | Revisions | Date | By/Par |
|-----|-----------|------|--------|
| | | | |
| | | | |
| | | | |
| | | | |



Isometric View



Tél: (450) 979-4373
 Fax: (450) 979-4626
www.exmweb.com

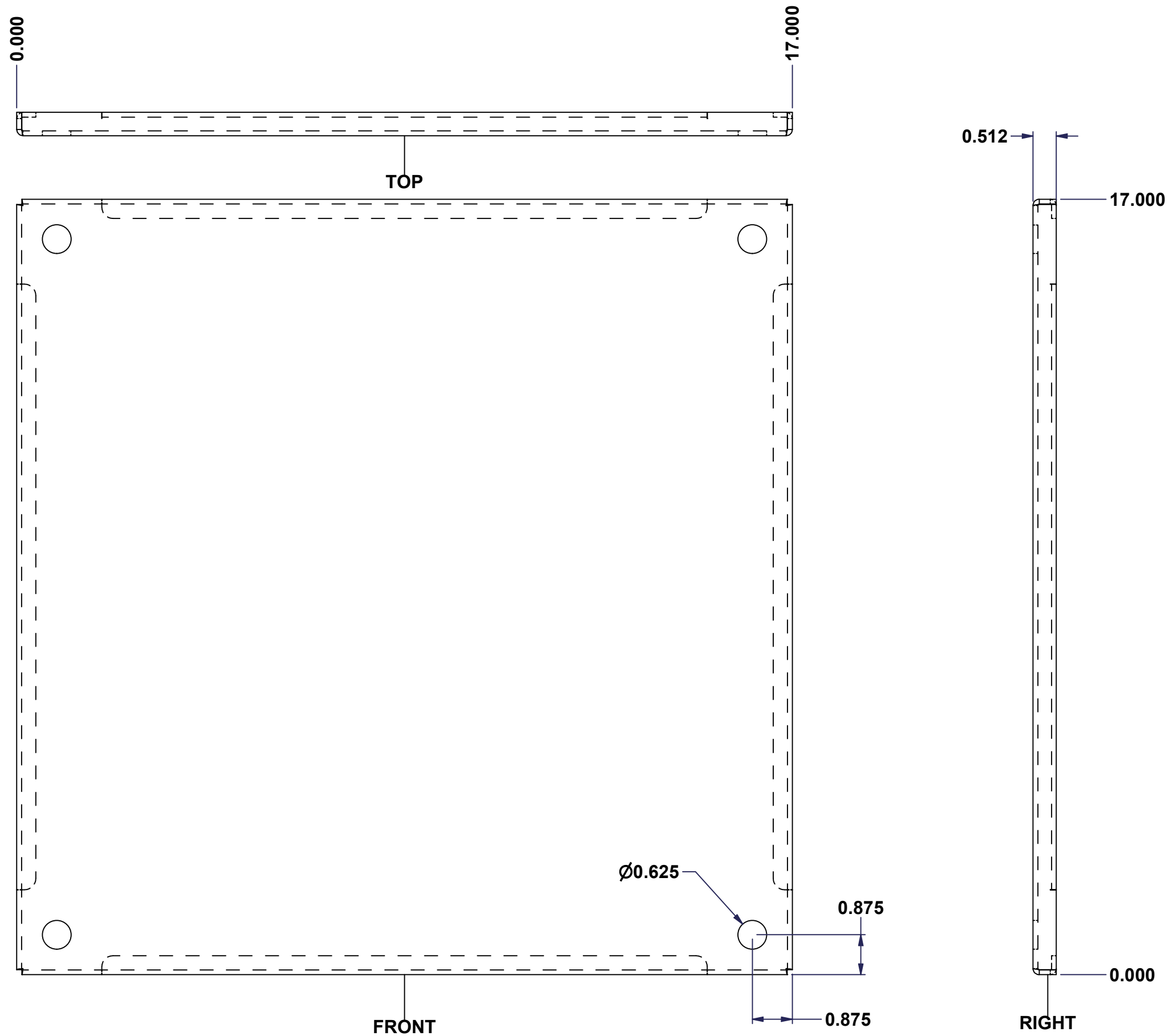
Flatness
Aplatissement
Max 3.0mm
Projection

| | |
|--------------------------------------------------------|--------------------|
| Customer Client | Date |
| Drawn By Dessiné Par BoxCad: Patrick Deschenes | Date 23-Jan-07 |
| Material Matière Polyisocyanurate | |
| Color Couleur Aluminum | Finish Fini N/A |
| Description 5412ESHD 20" x 20" Cover Insulation | Detail Rev. |
| Part Number Numéro Pièce 5412ESHD202010THI-C | Rev. 0 |

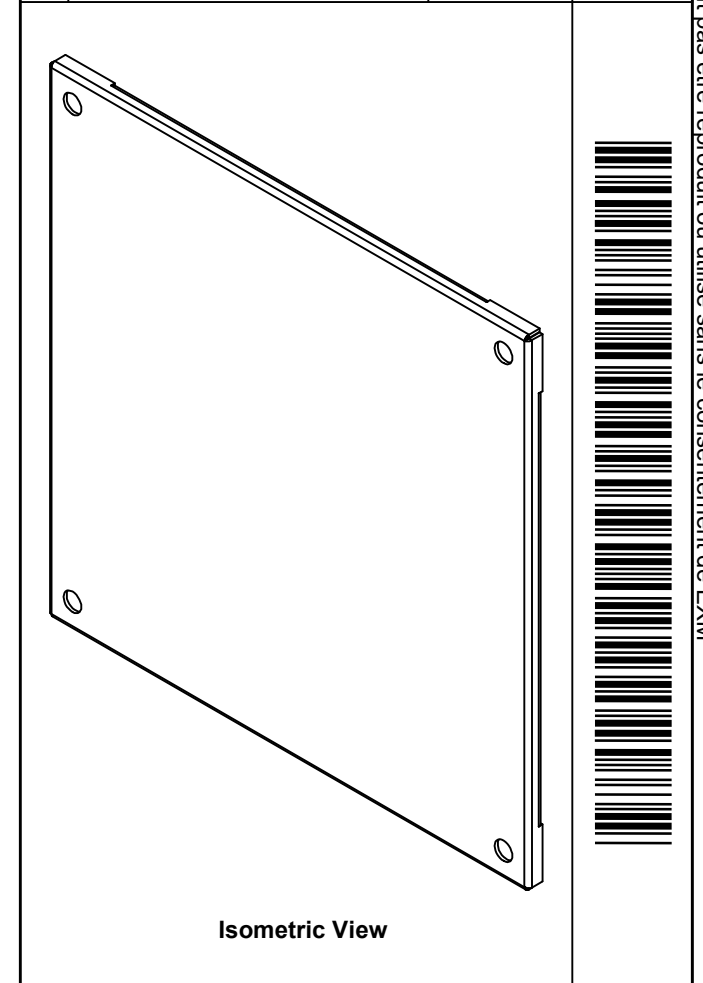
SEE BILL OF MATERIAL ON LAST PAGE


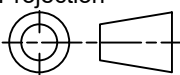
This drawing is confidential and must not be reproduced or used without the consent of EXM

Ce dessin est confidentiel et ne doit pas être reproduit ou utilisé sans le consentement de EXM



| No. | Revisions | Date | By/Par |
|-----|-----------|------|--------|
| | | | |
| | | | |
| | | | |
| | | | |



| | | |
|----------------------------------------------------------------------------------------------------------------------------------------------------------------------------------------|------------------------------|-----------------------------------------------------------------------------------------------------------------------------------------------|
|  Tél: (450) 979-4373 Fax: (450) 979-4626 www.exmweb.com | | Flatness Aplatissement Max 3.0mm Projection  |
| Customer Client | Date | |
| Drawn By / Dessiné Par: BoxCad: nickz | Date: 01/03/2017 | |
| Material / Matière: 12 Ga Galvanized (2.5mm) | | |
| Color / Couleur: See Part List | Finish / Fini: See Part List | |
| Description: 885SP 20" x 20" Inner Panel Part | | Detail Rev. |
| Part Number / Numéro Pièce: 885SP2020G | Rev.: 0 | 1 / 1 |

| Qty | Part Number | Rev | Description | Material | Color | Finish |
|-----|--------------|-----|----------------------------------|--------------------------|-----------|------------|
| 1 | 885SP2020G-P | 0 | 885SP 20" x 20" Inner Panel Part | 12 Ga Galvanized (2.5mm) | Unpainted | Galvanized |

Parts List