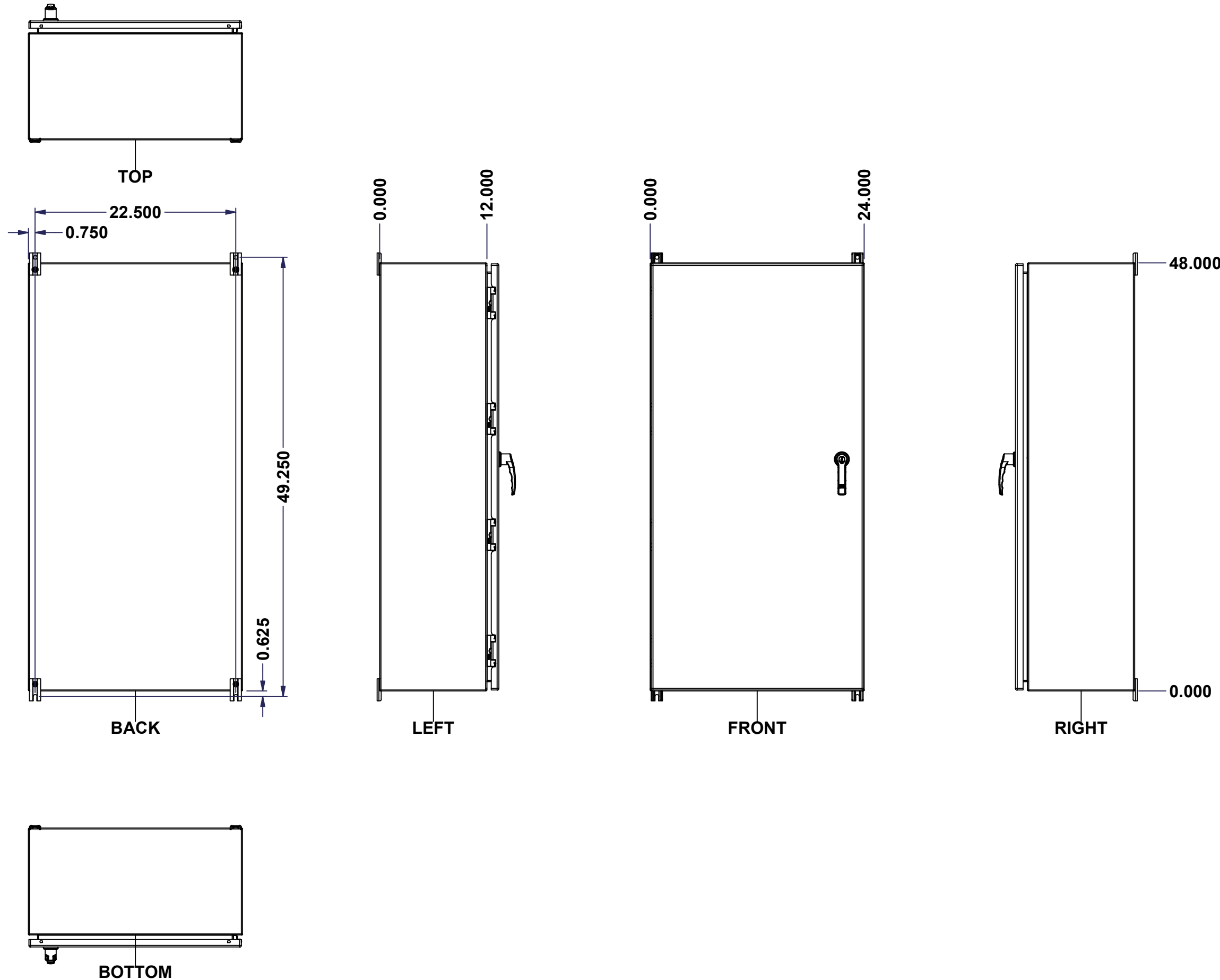
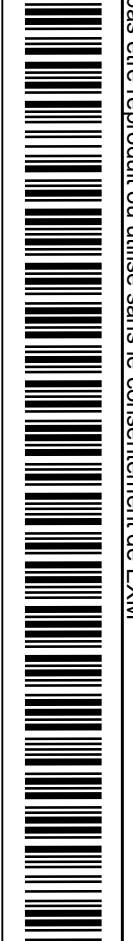
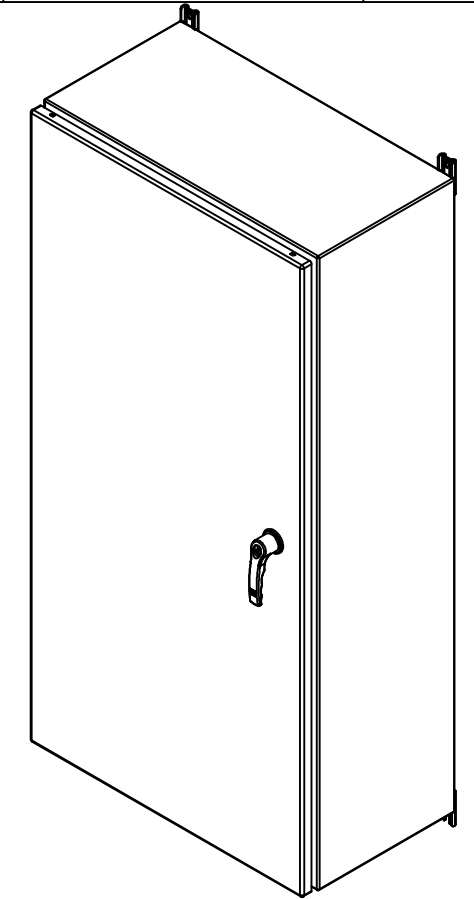


This drawing is confidential and must not be reproduced or used without the consent of EXM

Ce dessin est confidentiel et ne doit pas être reproduit ou utilisé sans le consentement de EXM



| No. | Revisions | Date | By/Par |
|-----|-----------|------|--------|
| | | | |
| | | | |
| | | | |
| | | | |
| | | | |



Isometric View

| | | |
|--|---|--|
| Tél: (450) 979-4373 Fax: (450) 979-4626 www.exmweb.com | | Flatness Aplatissement Max 3.0mm Projection |
| Customer Client | Date | |
| Drawn By Dessiné Par | BoxCad: BoxCad | Date 27-Dec-24 |
| Material Matière | 12 Ga Cold Rolled A1008 CS Type B (2.5mm) | |
| Color Couleur | Asa-61 Grey | Finish Fini Smooth |
| Description | Detail Rev. | |
| 5412ESHD 48" x 24" x 12" Assembly | | |
| Part Number Numéro Pièce | Rev. | 1 |
| 5412ESHD482412TH | 0 | 16 |

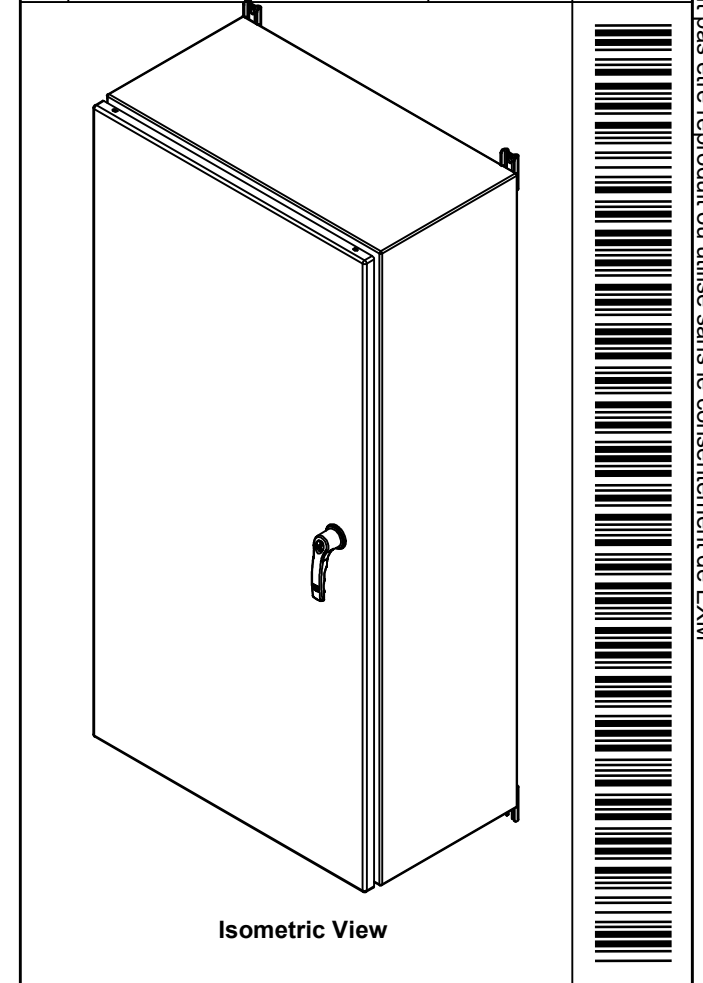
SEE BILL OF MATERIAL ON LAST PAGE

This drawing is confidential and must not be reproduced or used without the consent of EXM

Ce dessin est confidentiel et ne doit pas être reproduit ou utilisé sans le consentement de EXM


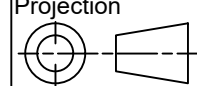
| NOTE | |
|------|---|
| ITEM | DESCRIPTION |
| 1 | NEMA 4, 12 Enclosure (IP66) |
| 2 | C/W Standard ground studs on box and cover |
| 3 | C/W Standard door stiffener |
| 4 | C/W Standard inner panel (Included) |
| 5 | C/W Standard inner panel mounting studs |
| 6 | C/W 885 ESMF3_OPEN Sold separately (Installed) |
| 7 | C/W 885 ESMF3_CLOSE Sold separately (Installed) |
| 8 | C/W R5 Insulation (Installed aluminum visible) |

| No. | Revisions | Date | By/Par |
|-----|-----------|------|--------|
| | | | |
| | | | |
| | | | |
| | | | |
| | | | |
| | | | |



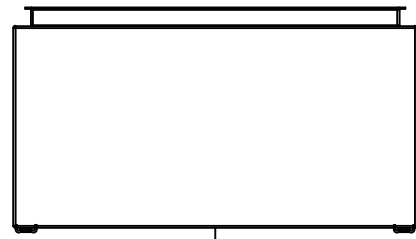
| PACKING | | |
|-----------------------|-----|--|
| ITEM | QTY | DESCRIPTION |
| Cardboard sleeve | 2 | Top and Bottom |
| Cardboard strip | 2 | Between back of enclosure and inner panel |
| Plastic bag | 1 | To protect cover surface and inside gasket |
| Cardboard corner | 4 | To reinforced for the plastic strap tightening |
| Plastic strap - Black | 2 | To Squeeze the 2 cardboard sleeve together |
| Packaging label | 3 | White label with PN |
| Plastic strap- Green | 2 | To secure the enclosure to the wood pallet |
| Wood Pallet | 1 | 2" deeper and 3" larger than enclosure size |

| | | | |
|------------|-------------------|-----|--|
| 6 | STK-Q-00600 | 2 | M12 to M8 Adaptor |
| 1 | 885SP4824G | 0 | 885SP 48" x 24" Inner Panel Part |
| 1 | STK-K-01800 | 5 | 5412 ES Accessory Kit |
| 1 | 5412ESHD482412THC | 0 | 5412ESHD 48" x 24" Cover |
| 1 | 5412ESHD482412THB | 0 | 5412ESHD 48" x 24" x 12" Body |
| 4 | STK-Q-04050-08 | 0 | M6 x 8mm Hexagon Socket Head Machine Screw |
| Qty | Part Number | Rev | Description |
| Parts List | | | |

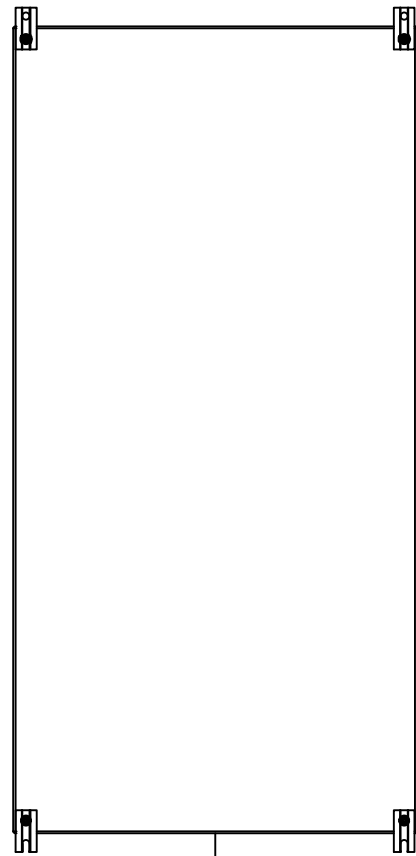
| | | |
|--|---|---|
|  Tél: (450) 979-4373 Fax: (450) 979-4626 www.exmweb.com | | Flatness Aplatissement Max 3.0mm Projection  |
| Customer Client | Date | |
| Drawn By Dessiné Par | BoxCad: BoxCad | Date 27-Dec-24 |
| Material Matière | 12 Ga Cold Rolled A1008 CS Type B (2.5mm) | |
| Color Couleur | Asa-61 Grey | Finish Fini Smooth |
| Description | Detail Rev. | |
| 5412ESHD 48" x 24" x 12" Assembly | | |
| Part Number Numéro Pièce | Rev. 0 | 2 / 16 |
| 5412ESHD482412TH | | |

This drawing is confidential and must not be reproduced or used without the consent of EXM

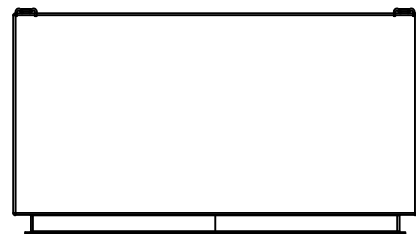
Ce dessin est confidentiel et ne doit pas être reproduit ou utilisé sans le consentement de EXM



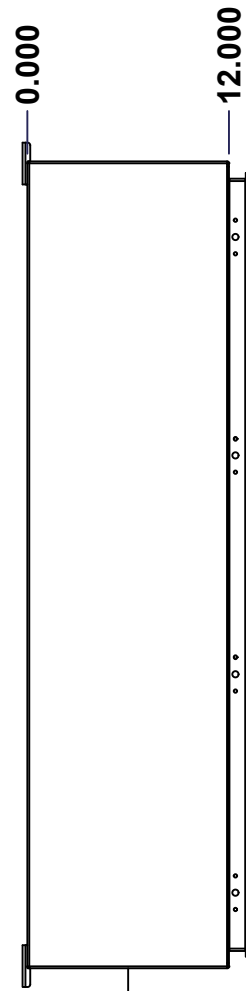
TOP



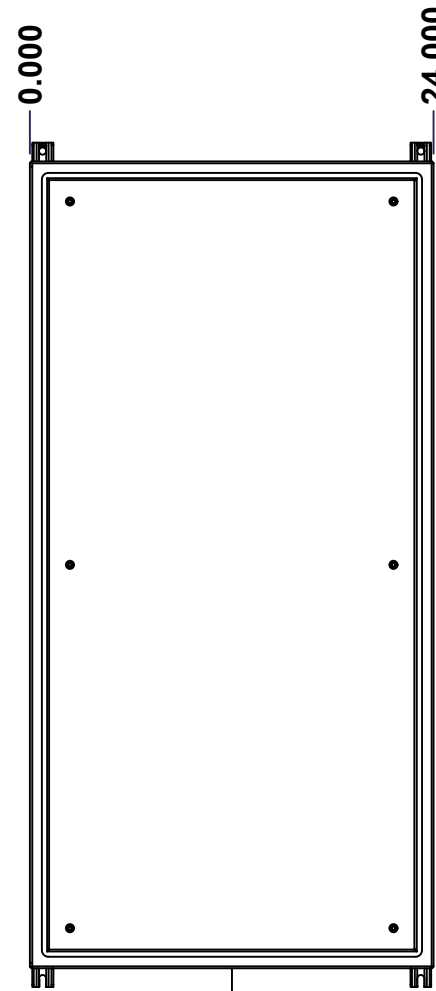
BACK



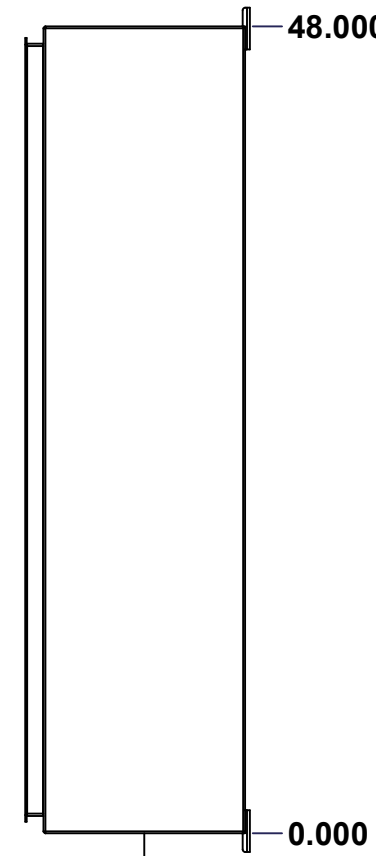
BOTTOM



LEFT

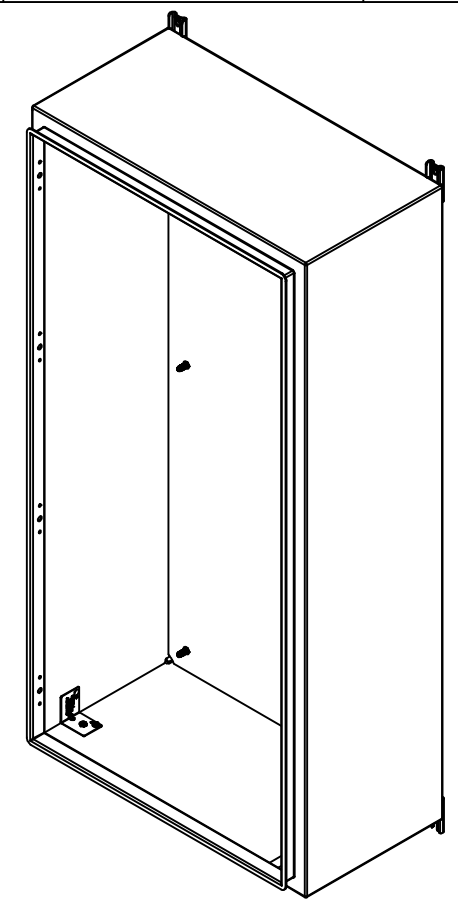


FRONT




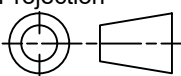
RIGHT

| No. | Revisions | Date | By/Par |
|-----|-----------|------|--------|
| | | | |
| | | | |
| | | | |
| | | | |



Isometric View



| | | |
|--|---|---|
|  Tél: (450) 979-4373 Fax: (450) 979-4626 www.exmweb.com | | Flatness Aplatissement Max 3.0mm Projection  |
| Customer Client | Date | |
| Drawn By Dessiné Par | BoxCad: BoxCad | Date 27-Dec-24 |
| Material Matière | 12 Ga Cold Rolled A1008 CS Type B (2.5mm) | |
| Color Couleur | Asa-61 Grey | Finish Fini Smooth |
| Description | | Detail Rev. |
| 5412ESHD 48" x 24" x 12" Body | | |
| Part Number Numéro Pièce | Rev. 3 | 16 |
| SEE BILL OF MATERIAL ON LAST PAGE | | 0 |

SEE BILL OF MATERIAL ON LAST PAGE

5412ESHD482412THB

This drawing is confidential and must not be reproduced or used without the consent of EXM

Ce dessin est confidentiel et ne doit pas être reproduit ou utilisé sans le consentement de EXM

| STANDARD FEATURES ARE NOT LISTED IN THIS HOLE TABLE | | | |
|---|--------|-------|--------------------------------|
| HOLE TABLE - TOP VIEW (CUSTOM FEATURE ONLY) | | | |
| CUT-OUT | XDIM | YDIM | DESCRIPTION |
| 1 | 2.000 | 9.500 | INSUL. STUD M6 x 18mm (Inside) |
| 2 | 22.000 | 9.500 | INSUL. STUD M6 x 18mm (Inside) |

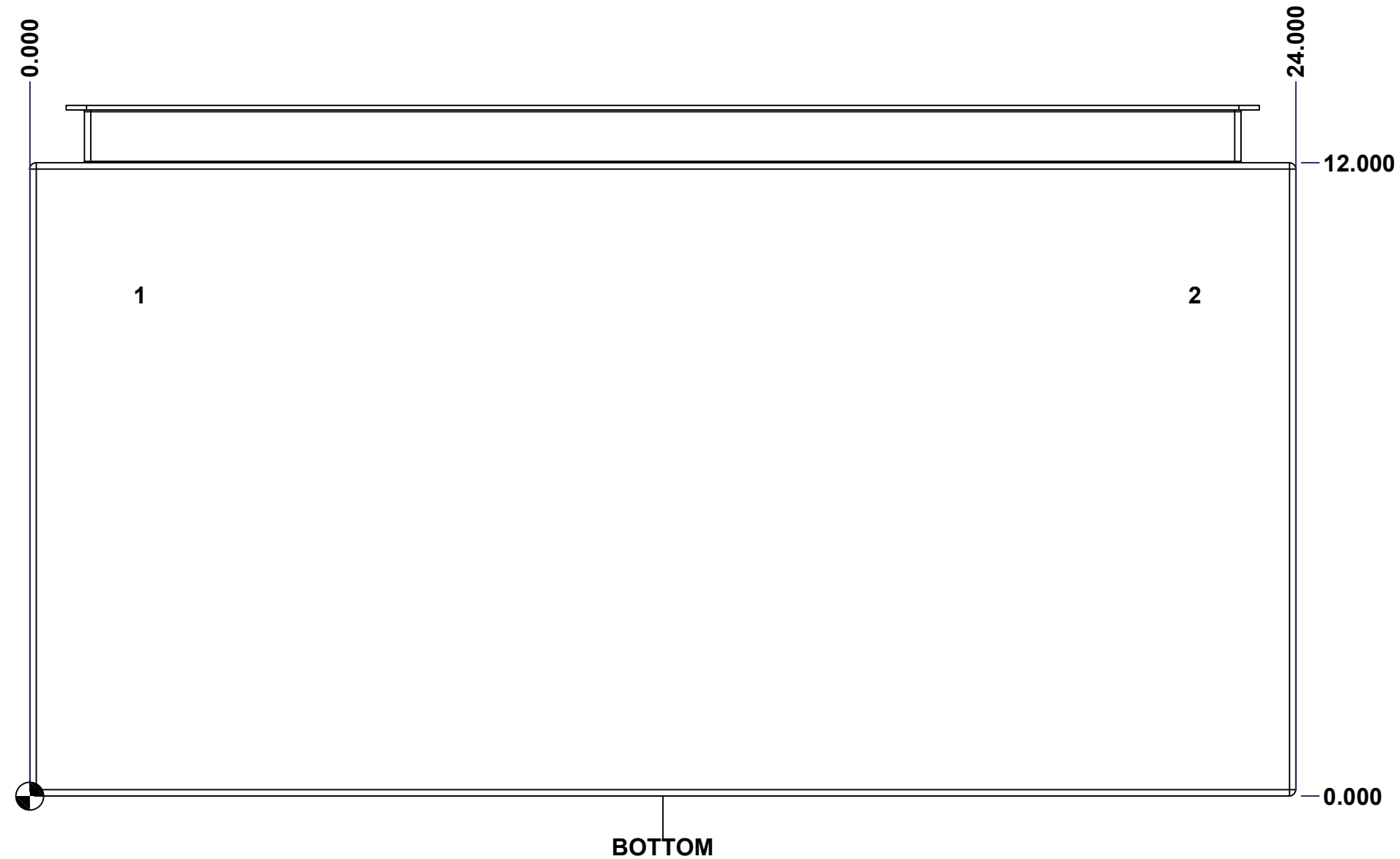


| | | |
|--|-------------------------------|--------------|
| | Description | Status |
| | 5412ESHD 48" x 24" x 12" Body | (NULL) |
| | Part Number Numéro Pièce | Rev. |
| | 5412ESHD482412THB | 0 / 4 |
| | | 16 |

This drawing is confidential and must not be reproduced or used without the consent of EXM

Ce dessin est confidentiel et ne doit pas être reproduit ou utilisé sans le consentement de EXM

| STANDARD FEATURES ARE NOT LISTED IN THIS HOLE TABLE | | | |
|--|--------|-------|--------------------------------|
| HOLE TABLE - BOTTOM VIEW (CUSTOM FEATURE ONLY) | | | |
| CUT-OUT | XDIM | YDIM | DESCRIPTION |
| 1 | 2.000 | 9.500 | INSUL. STUD M6 x 18mm (Inside) |
| 2 | 22.000 | 9.500 | INSUL. STUD M6 x 18mm (Inside) |



| | | |
|--|-------------------------------|--------------|
| | Description | Status |
| | 5412ESHD 48" x 24" x 12" Body | (NULL) |
| | Part Number Numéro Pièce | Rev. |
| | 5412ESHD482412THB | 0 / 5 |
| | | 16 |

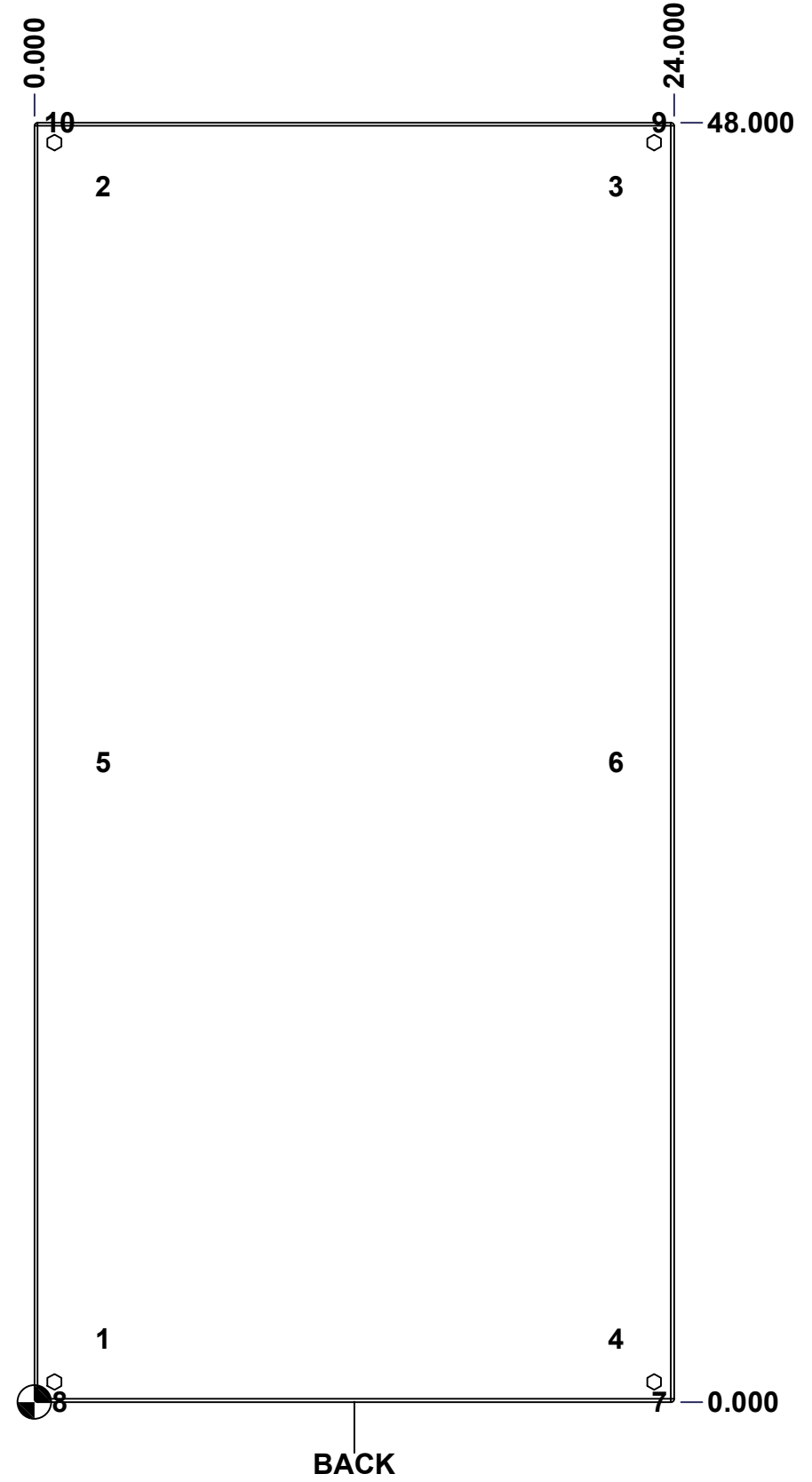
This drawing is confidential and must not be reproduced or used without the consent of EXM

Ce dessin est confidentiel et ne doit pas être reproduit ou utilisé sans le consentement de EXM

STANDARD FEATURES ARE NOT LISTED IN THIS HOLE TABLE

HOLE TABLE - BACK VIEW (CUSTOM FEATURE ONLY)

| CUT-OUT | XDIM | YDIM | DESCRIPTION |
|---------|--------|--------|----------------------------|
| 1 | 2.375 | 2.375 | IP STUD M8 x 35mm (Inside) |
| 2 | 2.375 | 45.625 | IP STUD M8 x 35mm (Inside) |
| 3 | 21.625 | 45.625 | IP STUD M8 x 35mm (Inside) |
| 4 | 21.625 | 2.375 | IP STUD M8 x 35mm (Inside) |
| 5 | 2.375 | 24.000 | IP STUD M8 x 35mm (Inside) |
| 6 | 21.625 | 24.000 | IP STUD M8 x 35mm (Inside) |
| ----- | | | |
| 7 | 23.250 | 0.000 | FOOT 885 ESMF3_OPEN |
| 8 | 0.750 | 0.000 | FOOT 885 ESMF3_OPEN |
| 9 | 23.250 | 48.000 | FOOT 885 ESMF3_CLOSE |
| 10 | 0.750 | 48.000 | FOOT 885 ESMF3_CLOSE |

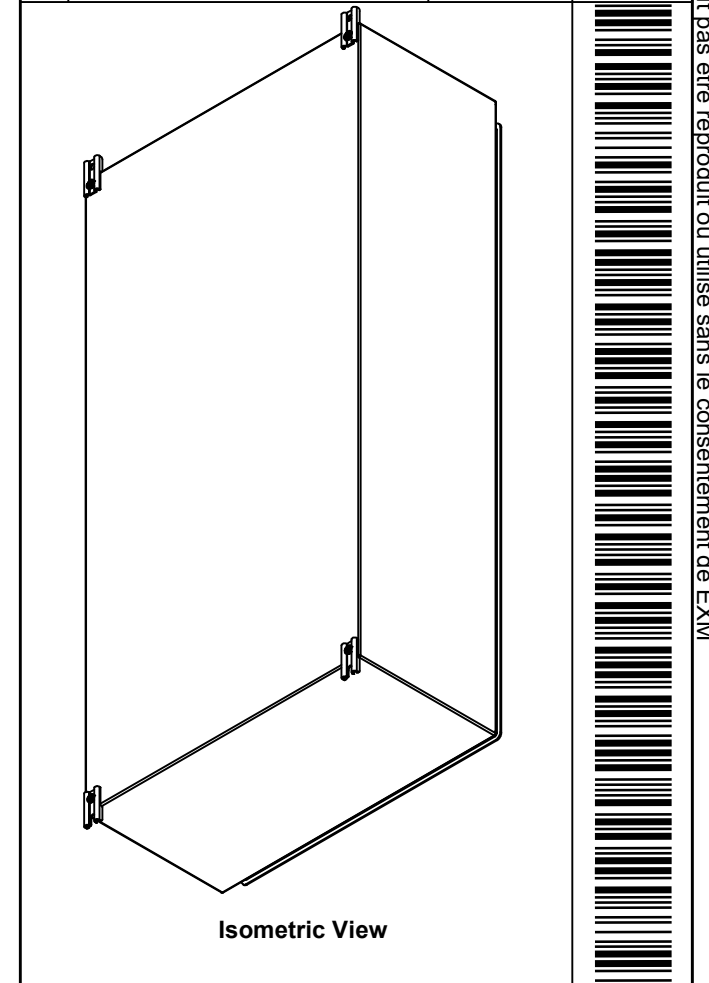


| | | |
|--|-------------------------------|--------------|
| | Description | Status |
| | 5412ESHD 48" x 24" x 12" Body | (NULL) |
| | Part Number Numéro Pièce | Rev. |
| | 5412ESHD482412THB | 0 / 6 |
| | | 16 |


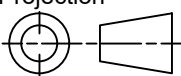
This drawing is confidential and must not be reproduced or used without the consent of EXM

Ce dessin est confidentiel et ne doit pas être reproduit ou utilisé sans le consentement de EXM

| No. | Revisions | Date | By/Par |
|-----|-----------|------|--------|
| | | | |
| | | | |
| | | | |
| | | | |
| | | | |

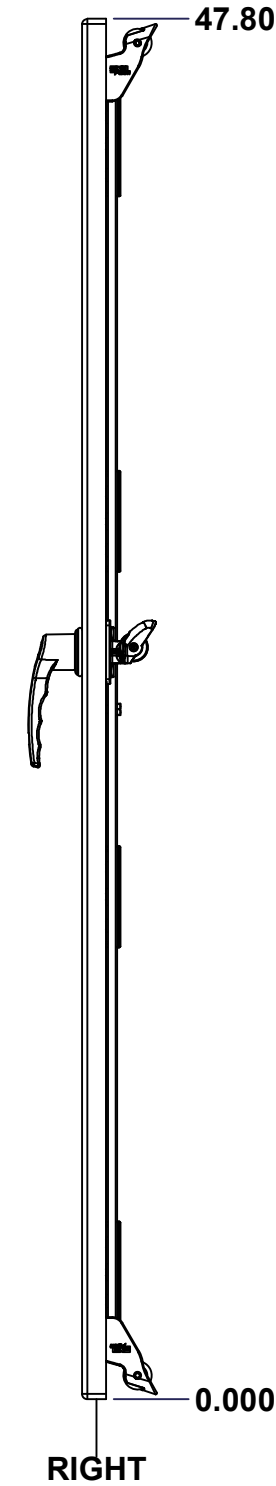
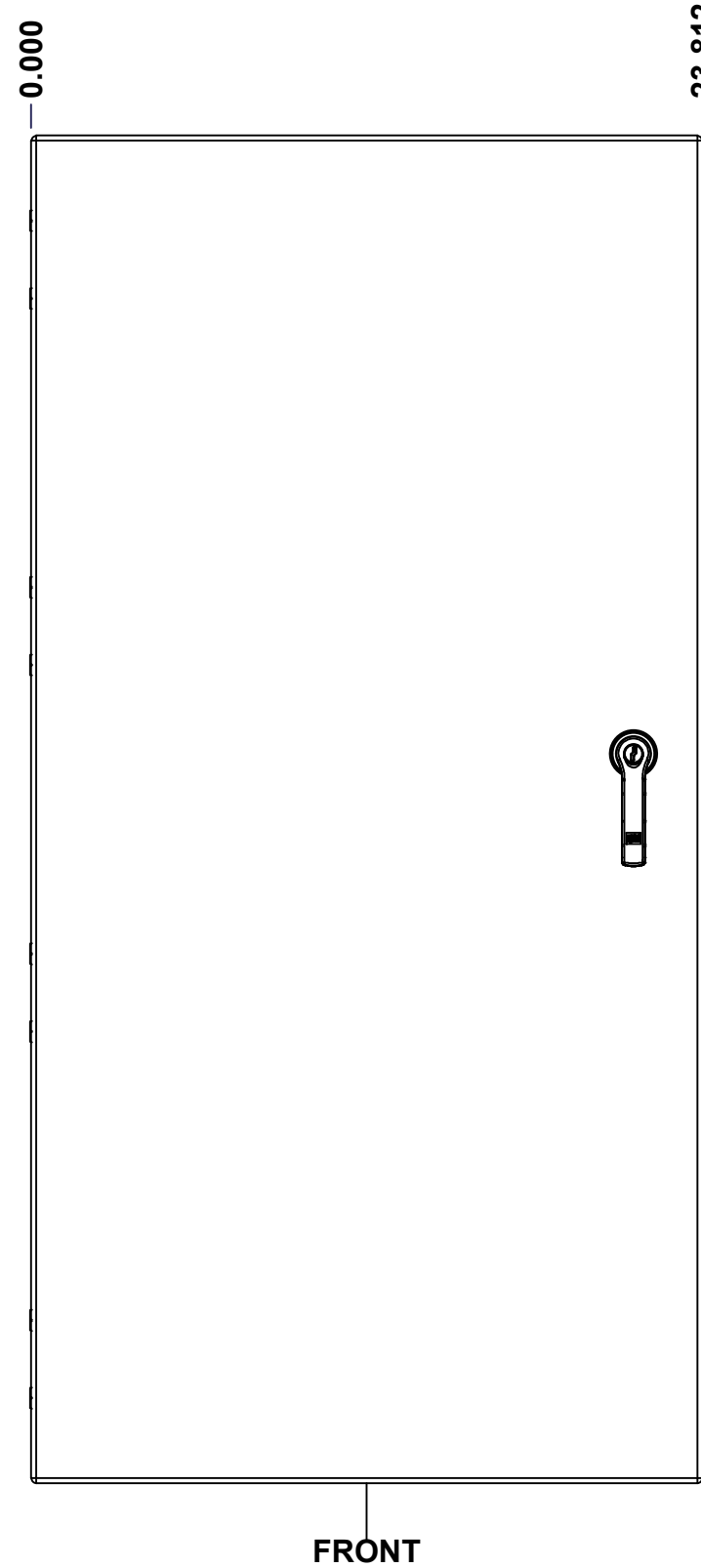
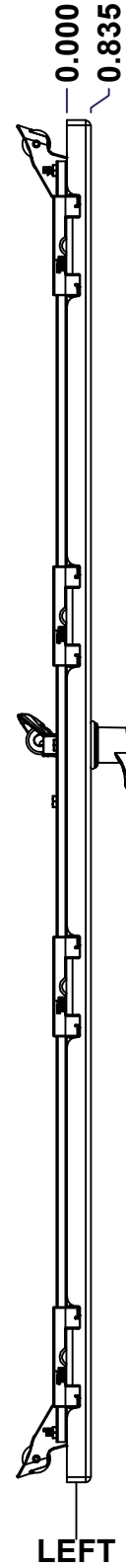
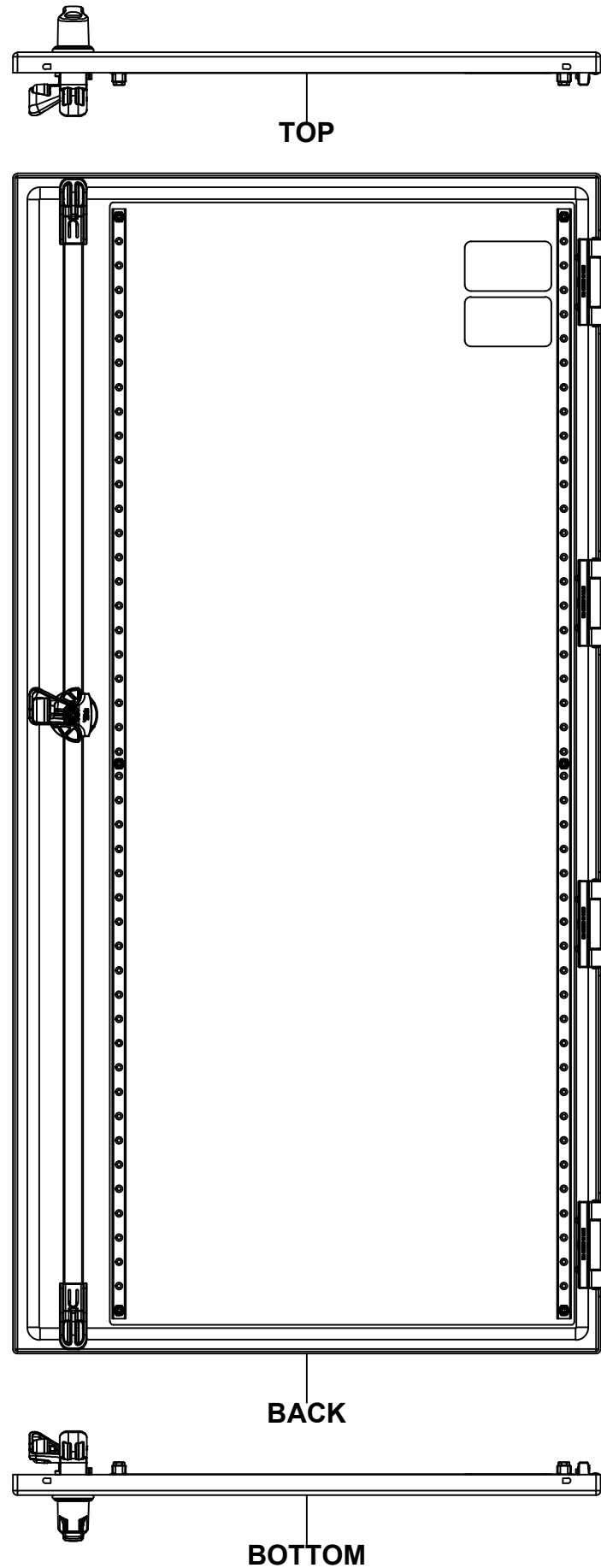


| | | | |
|------------|----------------------|-----|--|
| 1 | 885 ESMF3 | 0 | 885 ESMF3 Mounting Foot Kit |
| 4 | RIVET_NUT_M10_FH_CE | 0 | Rivet Nut M10 (Low Profile Close End) |
| 1 | STK-K-70554 | 3 | 5412 ESTH Accessory Kit |
| 1 | 5412ESHD482412THI-RS | 0 | 5412ESHD 48" x 24" Right Insulation |
| 1 | 5412ESHD482412THI-LS | 0 | 5412ESHD 48" x 24" Left Insulation |
| 1 | 5412ESHD482412THI-BT | 0 | 5412ESHD 48" x 24"Bottom Insulation |
| 1 | 5412ESHD482412THI-TP | 0 | 5412ESHD 48" x 24"Top Insulation |
| 1 | 5412ESHD482412THI-B | 0 | 5412ESHD 48" x 24" Back Insulation |
| 4 | STK-Q-16055 | 1 | M6 x 18mm Stud (No Paint Cap Required) |
| 1 | STK-P-02400S | 0 | Powder Paint (Asa-61 Grey / Smooth) |
| 6 | STK-Q-16005 | 0 | Stud M8 x 35mm Steel |
| 1 | 5412ESHD482412THB-P | 0 | 5412ESHD 48" x 24" x 12" Body Part |
| Qty | Part Number | Rev | Description |
| Parts List | | | |

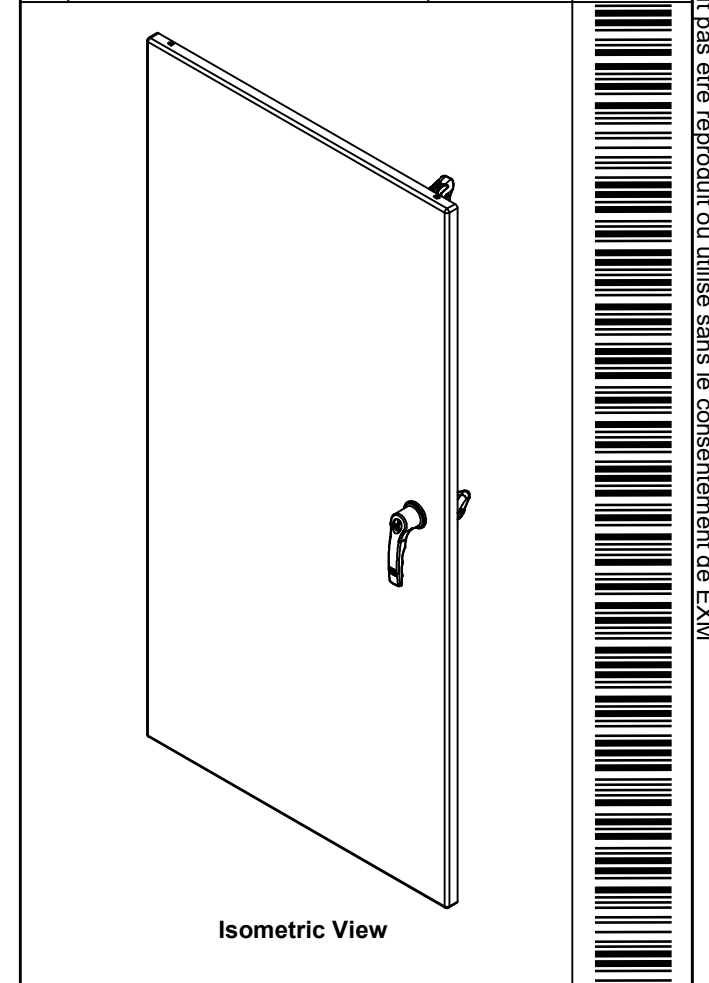
| | | |
|--|-----------------------|--|
|  Tél: (450) 979-4373 Fax: (450) 979-4626 www.exmweb.com | | Flatness Aplatissement Max 3.0mm |
| Projection  | | Customer Client |
| Drawn By Dessiné Par BoxCad: BoxCad | | Date 27-Dec-24 |
| Material Matière 12 Ga Cold Rolled A1008 CS Type B (2.5mm) | | |
| Color Couleur Asa-61 Grey | Finish Fini Smooth | |
| Description 5412ESHD 48" x 24" x 12" Body | | Detail Rev. |
| Part Number Numéro Pièce 5412ESHD482412THB | | Rev. 7 0 |


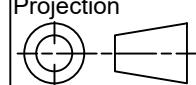
This drawing is confidential and must not be reproduced or used without the consent of EXM

Ce dessin est confidentiel et ne doit pas être reproduit ou utilisé sans le consentement de EXM



| No. | Revisions | Date | By/Par |
|-----|-----------|------|--------|
| | | | |
| | | | |
| | | | |
| | | | |



| | | |
|--|---|---|
|  Tél: (450) 979-4373 Fax: (450) 979-4626 www.exmweb.com | | Flatness Aplatissement Max 3.0mm Projection  |
| Customer Client | Date | |
| Drawn By Dessiné Par | BoxCad: BoxCad | Date 27-Dec-24 |
| Material Matière | 12 Ga Cold Rolled A1008 CS Type B (2.5mm) | |
| Color Couleur | Asa-61 Grey | Finish Fini Smooth |
| Description 5412ESHD 48" x 24" Cover | | Detail Rev. |
| Part Number Numéro Pièce | Rev. 0 | 8 / 16 |

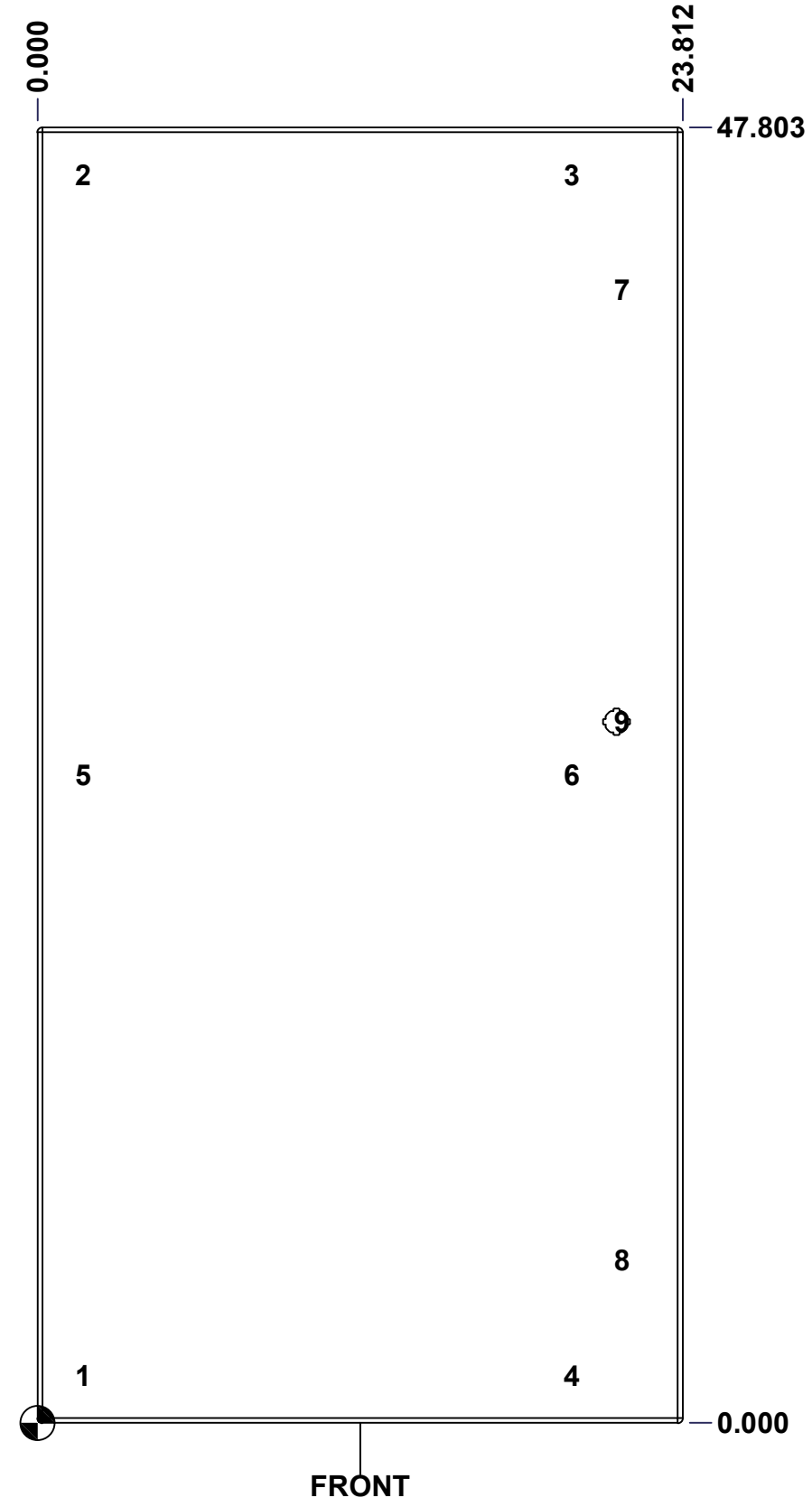
SEE BILL OF MATERIAL ON LAST PAGE

5412ESHD482412THC

This drawing is confidential and must not be reproduced or used without the consent of EXM

Ce dessin est confidentiel et ne doit pas être reproduit ou utilisé sans le consentement de EXM

| STANDARD FEATURES ARE NOT LISTED IN THIS HOLE TABLE | | | |
|---|--------|--------|---------------------------|
| HOLE TABLE - FRONT VIEW (CUSTOM FEATURE ONLY) | | | |
| CUT-OUT | XDIM | YDIM | DESCRIPTION |
| 1 | 1.486 | 1.756 | STUD M6 x 18mm (Inside) |
| 2 | 1.486 | 46.047 | STUD M6 x 18mm (Inside) |
| 3 | 19.512 | 46.047 | STUD M6 x 18mm (Inside) |
| 4 | 19.512 | 1.756 | STUD M6 x 18mm (Inside) |
| 5 | 1.486 | 23.902 | STUD M6 x 18mm (Inside) |
| 6 | 19.512 | 23.902 | STUD M6 x 18mm (Inside) |
| 7 | 21.366 | 41.803 | LARGE CBAR GUIDE (Inside) |
| 8 | 21.366 | 6.000 | LARGE CBAR GUIDE (Inside) |
| ----- | | | |
| 9 | 21.366 | 25.870 | HANDLE 885 ESL2A @ 0.0° |

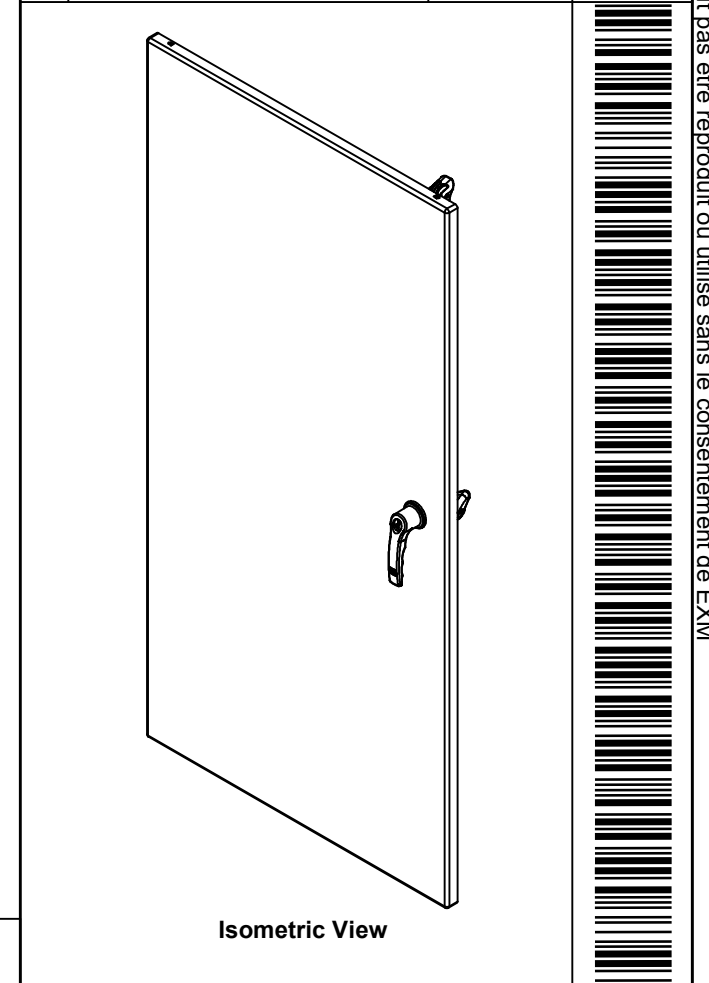


| | | |
|--|-----------------------------|--------------|
| | Description | Status |
| | 5412ESHD 48" x 24" Cover | (NULL) |
| | Part Number Numéro Pièce | Rev. |
| | 5412ESHD482412THC | 0 / 9 |
| | | 16 |


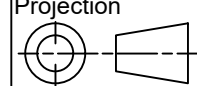
This drawing is confidential and must not be reproduced or used without the consent of EXM

Ce dessin est confidentiel et ne doit pas être reproduit ou utilisé sans le consentement de EXM

| No. | Revisions | Date | By/Par |
|-----|-----------|------|--------|
| | | | |
| | | | |
| | | | |
| | | | |
| | | | |

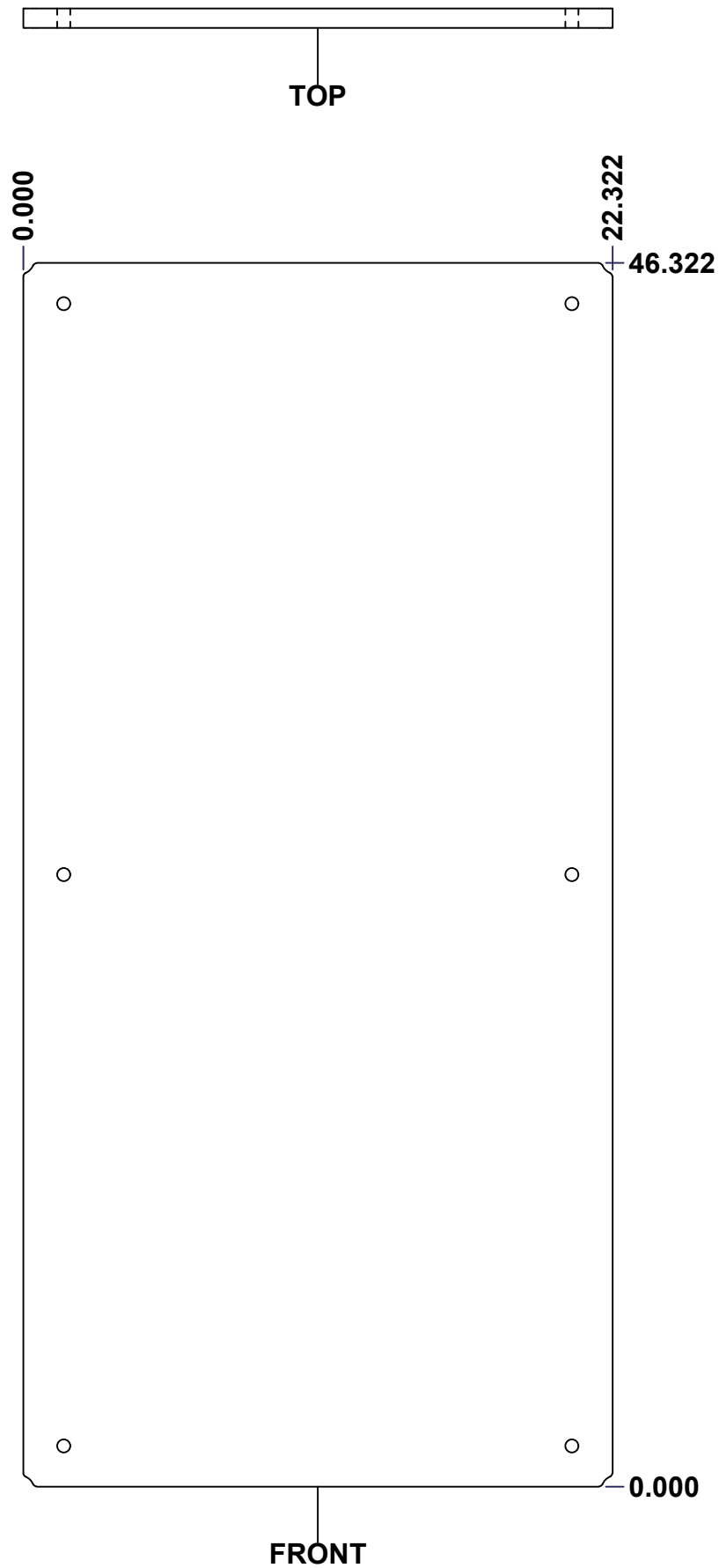


| | | | |
|------------|------------------------|-----|--|
| 1 | 5412ESHD482412THCB_D-P | 0 | 5412ESHD 48" Lower Closing Bar (Cam) |
| 1 | 5412ESHD482412THCB_U-P | 0 | 5412ESHD 48" Upper Closing Bar (Cam) |
| 1 | STK-A-50538 | 3 | 9500 Handle Cam Assembly (Right Side, Grip 36mm) |
| 1 | STK-Q-90051 | 3 | 5412 ES - Handle Cam Spacer |
| 1 | 885 ESL2A | 4 | 5412 ES Key Lock L-Handle (3 Pts) |
| 2 | STK-S-00100 | 0 | 3.5" x 2" Silver Milar Flexcon Sticker |
| 6 | STK-Q-07250 | 2 | M6 x 16mm Collar Nut |
| 2 | STK-Q-46020-48 | 5 | 5412 ES Vertical Door Stiffener 48" |
| 1 | 5412ESHD482412THI-C | 0 | 5412ESHD 48" x 24" Cover Insulation |
| 1 | STK-P-02400S | 0 | Powder Paint (Asa-61 Grey / Smooth) |
| 2 | STK-Q-16410 | 0 | Guide Stud - Largel (No Paint Cap Required) |
| 6 | STK-Q-16055 | 1 | M6 x 18mm Stud (No Paint Cap Required) |
| 1 | 5412ESHD482412THG | 0 | 5412ESHD 48" x 24" Door Gasket |
| 1 | 5412ESHD482412THC-P | 0 | 5412ESHD 48" x 24" Cover Part |
| 2 | STK-A-90025 | 0 | 9500 - Cabinet Closing Bar End (Large) |
| 4 | STK-K-09860 | 7 | Cabinet Hinge with Captive Pins |
| QTY | Part Number | Rev | Description |
| Parts List | | | |

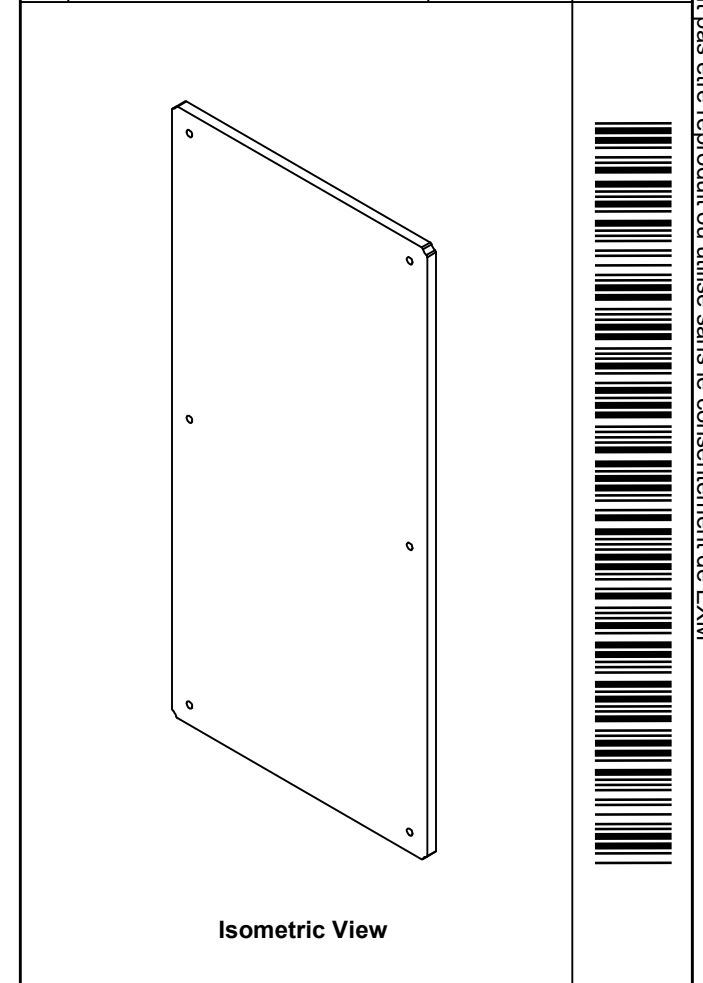
| | | |
|--|---|---|
|  Tél: (450) 979-4373 Fax: (450) 979-4626 www.exmweb.com | | Flatness Aplatissement Max 3.0mm Projection  |
| Customer Client | Date | |
| Drawn By Dessiné Par | BoxCad: BoxCad | Date 27-Dec-24 |
| Material Matière | 12 Ga Cold Rolled A1008 CS Type B (2.5mm) | |
| Color Couleur | Asa-61 Grey | Finish Fini Smooth |
| Description | | Detail Rev. |
| 5412ESHD 48" x 24" Cover | | |
| Part Number Numéro Pièce | Rev. | 10 |
| 5412ESHD482412THC | 0 | 16 |


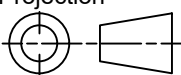
This drawing is confidential and must not be reproduced or used without the consent of EXM

Ce dessin est confidentiel et ne doit pas être reproduit ou utilisé sans le consentement de EXM



| No. | Revisions | Date | By/Par |
|-----|-----------|------|--------|
| | | | |
| | | | |
| | | | |
| | | | |
| | | | |

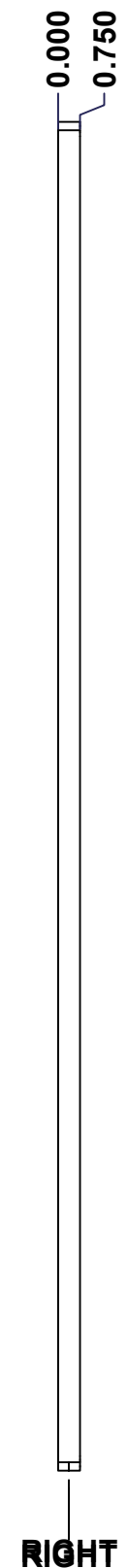
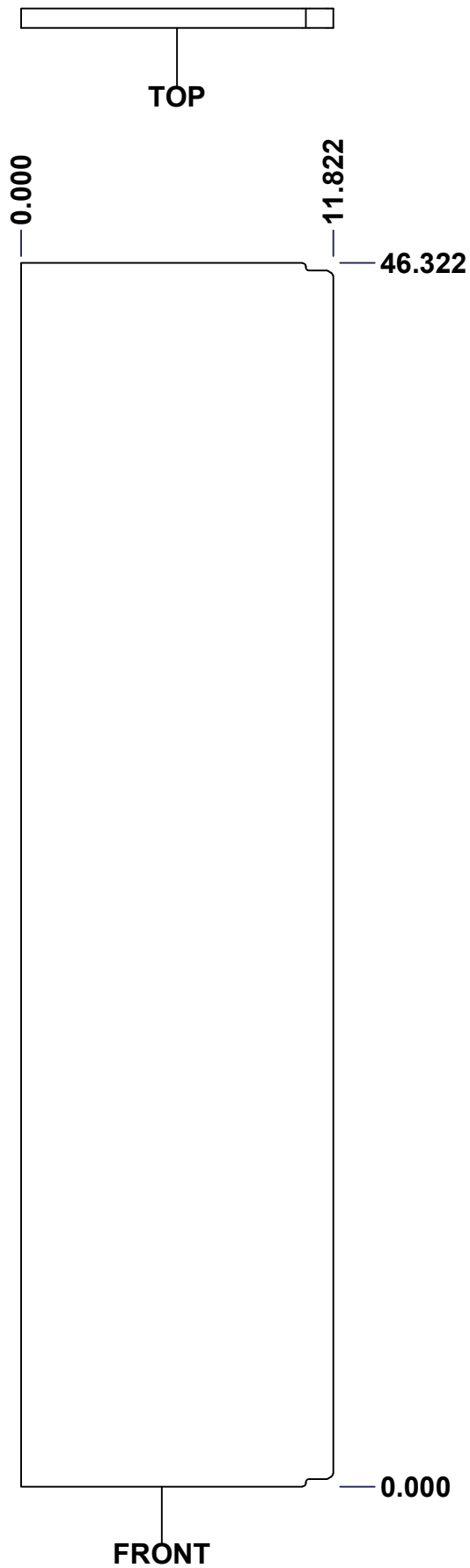


| | | |
|--|---------------------------|---|
|  Tél: (450) 979-4373 Fax: (450) 979-4626 www.exmweb.com | | Flatness Aplatissement Max 3.0mm Projection  |
| Customer Client | Date | |
| Drawn By Dessiné Par | BoxCad: Patrick Deschenes | Date 23-Jan-07 |
| Material Matière | Polyisocyanurate | |
| Color Couleur | Aluminum | Finish Fini N/A |
| Description | | Detail Rev. |
| 5412ESHD 48" x 24" Back Insulation | | |
| Part Number Numéro Pièce | Rev. | 11 |
| 5412ESHD482412THI-B | 0 | 16 |

SEE BILL OF MATERIAL ON LAST PAGE

This drawing is confidential and must not be reproduced or used without the consent of EXM

Ce dessin est confidentiel et ne doit pas être reproduit ou utilisé sans le consentement de EXM



| No. | Revisions | Date | By/Par |
|-----|-----------|------|--------|
| | | | |
| | | | |
| | | | |
| | | | |
| | | | |

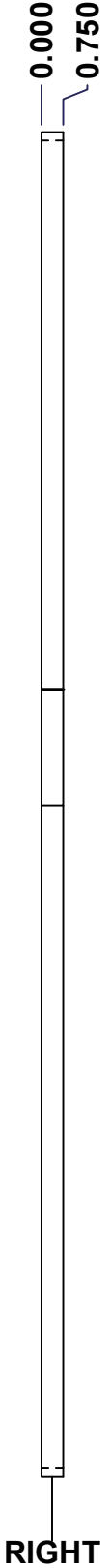
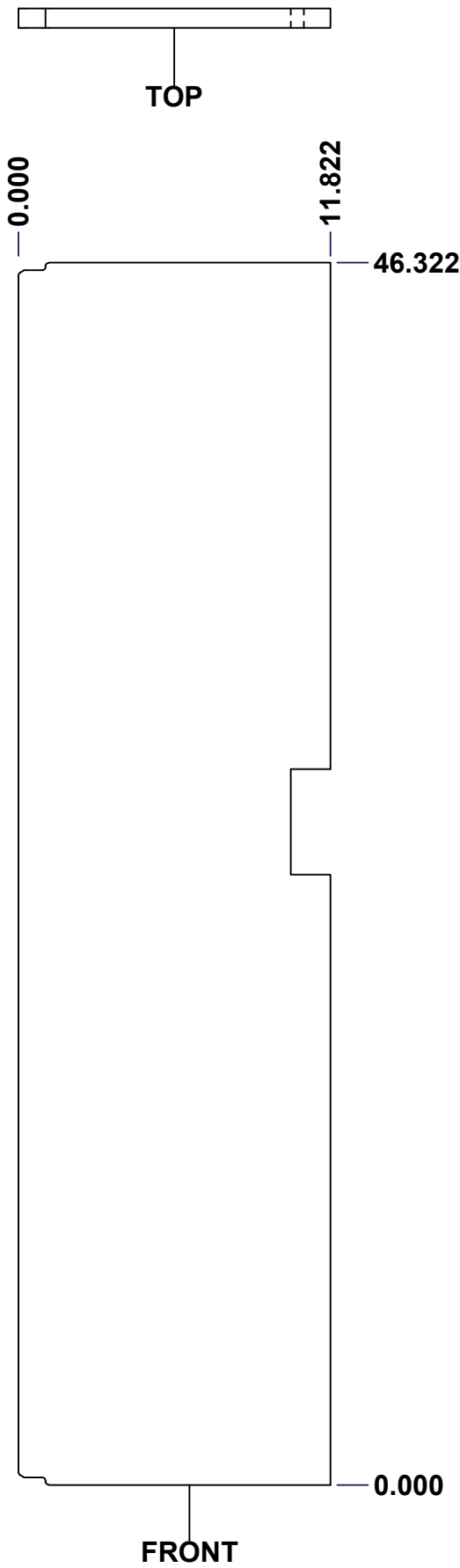
Isometric View

| | | |
|--|---------------------------|--|
| Tél: (450) 979-4373 Fax: (450) 979-4626 www.exmweb.com | | Flatness Aplatissement Max 3.0mm |
| Projection | | |
| Customer Client | Date | |
| Drawn By Dessiné Par | BoxCad: Patrick Deschenes | Date 23-Jan-07 |
| Material Matière | Polyisocyanurate | |
| Color Couleur | Aluminum | Finish Fini N/A |
| Description | Detail Rev. | |
| 5412ESHD 48" x 24" Left Insulation | | |
| Part Number Numéro Pièce | Rev. 0 | 12 / 16 |
| 5412ESHD482412THI-LS | | |

SEE BILL OF MATERIAL ON LAST PAGE

This drawing is confidential and must not be reproduced or used without the consent of EXM

Ce dessin est confidentiel et ne doit pas être reproduit ou utilisé sans le consentement de EXM



| No. | Revisions | Date | By/Par |
|-----|-----------|------|--------|
| | | | |
| | | | |
| | | | |
| | | | |
| | | | |

Isometric View

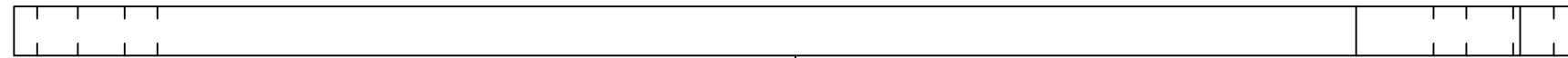
| | | | |
|--|--|---------------------------|----------------|
| Tél: (450) 979-4373 Fax: (450) 979-4626 www.exmweb.com | | Flatness Aplatissement | |
| | | Max 3.0mm | |
| Customer Client | | Date | |
| Drawn By Dessiné Par | | Date | |
| Material Matière | | Polyisocyanurate | |
| Color Couleur | | Aluminum | Finish Fini |
| Description | | Detail Rev. | |
| Part Number Numéro Pièce | | Rev. | 13 |
| SEE BILL OF MATERIAL ON LAST PAGE | | 0 | 16 |

SEE BILL OF MATERIAL ON LAST PAGE

5412ESHD482412THI-RS

This drawing is confidential and must not be reproduced or used without the consent of EXM

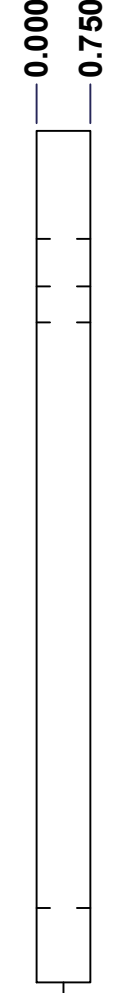
Ce dessin est confidentiel et ne doit pas être reproduit ou utilisé sans le consentement de EXM



TOP

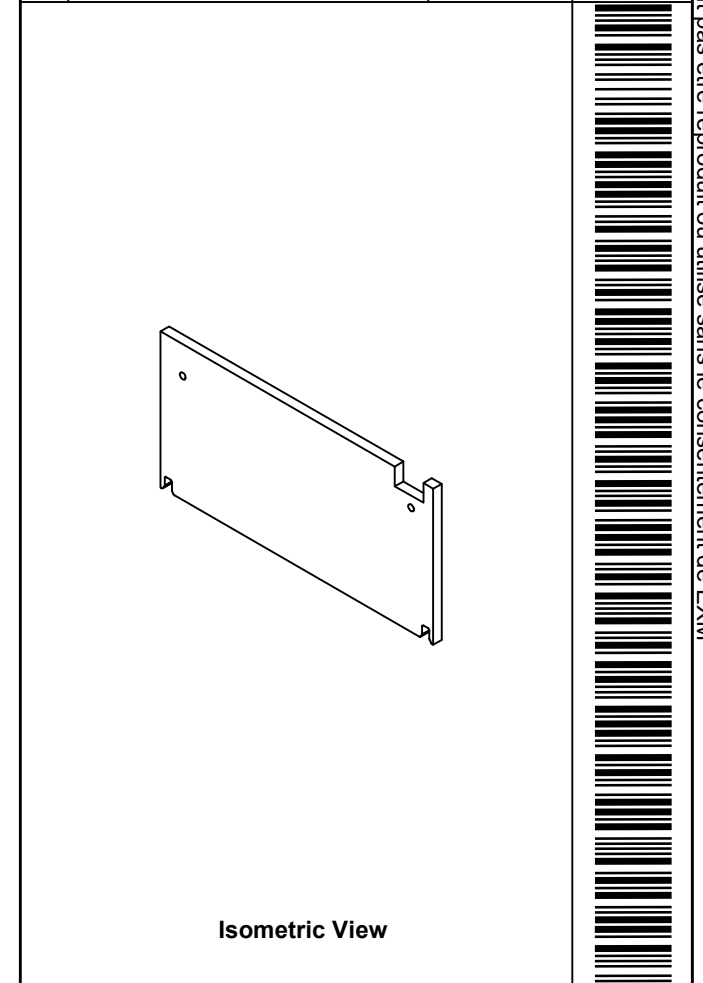


FRONT



RIGHT

| No. | Revisions | Date | By/Par |
|-----|-----------|------|--------|
| | | | |
| | | | |
| | | | |
| | | | |
| | | | |



Isometric View



Tél: (450) 979-4373
 Fax: (450) 979-4626
www.exmweb.com

Flatness
 Aplatissement
 Max 3.0mm
 Projection

| | |
|--|-----------------------|
| Customer Client | Date |
| Drawn By / Dessiné Par: BoxCad: BoxCad | Date: 4/3/2024 |
| Material / Matière: Polyisocyanurate | |
| Color / Couleur: Aluminum | Finish / Fini: Smooth |
| Description: 5412ESHD 48" x 24"Top Insulation | Detail Rev. |
| Part Number / Numéro Pièce: 5412ESHD482412THI-TP | Rev. 14 |
| SEE BILL OF MATERIAL ON LAST PAGE | 0 |

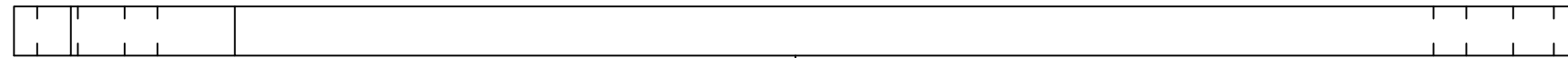
SEE BILL OF MATERIAL ON LAST PAGE

5412ESHD482412THI-TP

Rev. 14
 0

This drawing is confidential and must not be reproduced or used without the consent of EXM

Ce dessin est confidentiel et ne doit pas être reproduit ou utilisé sans le consentement de EXM



TOP

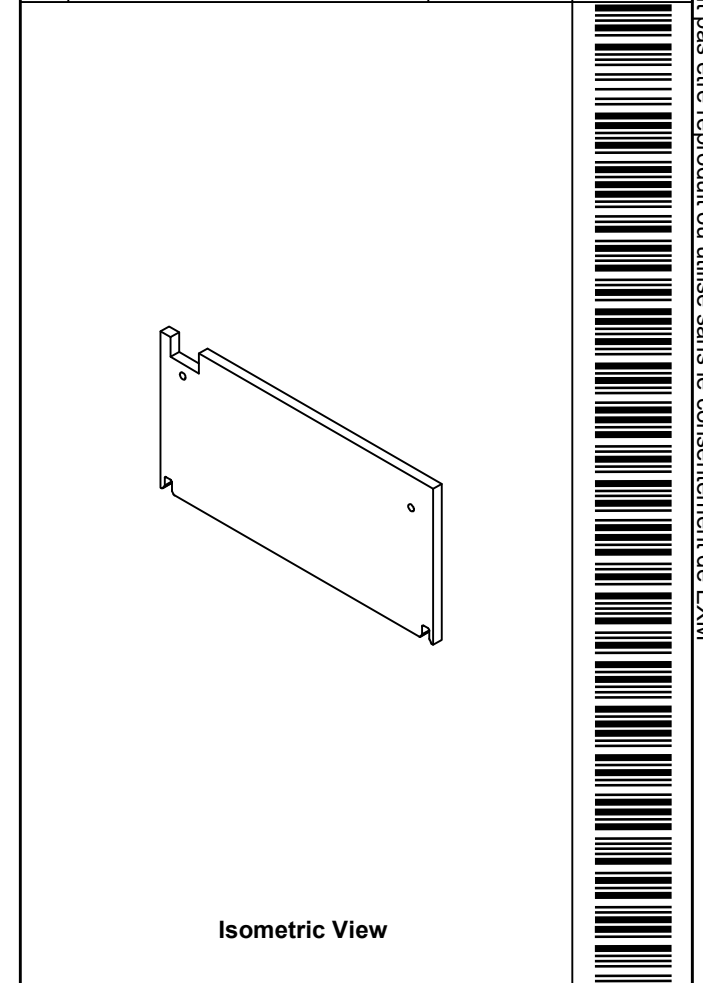


FRONT



RIGHT

| No. | Revisions | Date | By/Par |
|-----|-----------|------|--------|
| | | | |
| | | | |
| | | | |
| | | | |



Isometric View



Tél: (450) 979-4373
 Fax: (450) 979-4626
www.exmweb.com

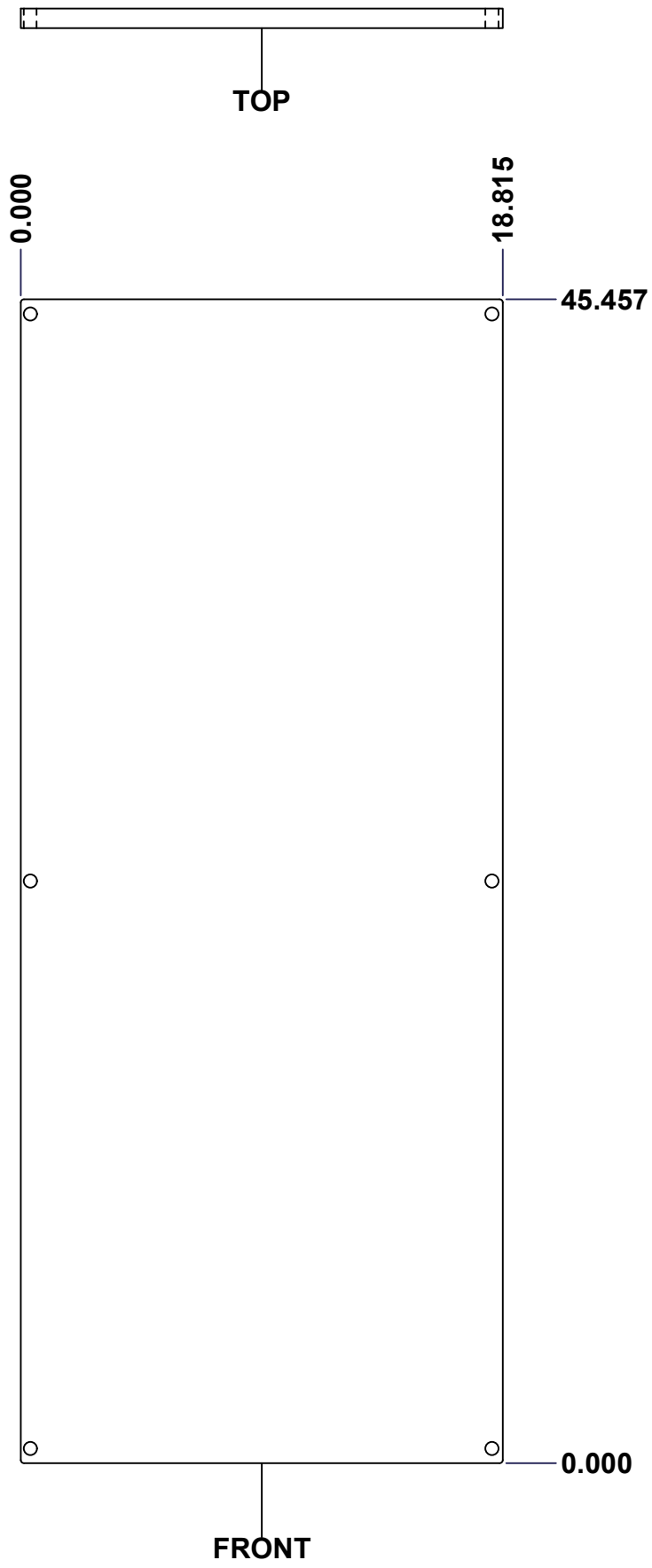
Flatness
 Aplatissement
 Max 3.0mm
 Projection

| | |
|--|-----------------------|
| Customer Client | Date |
| Drawn By / Dessiné Par: BoxCad: BoxCad | Date: 4/3/2024 |
| Material / Matière: Polyisocyanurate | |
| Color / Couleur: Aluminum | Finish / Fini: Smooth |
| Description: 5412ESHD 48" x 24"Bottom Insulation | Detail Rev. |
| Part Number / Numéro Pièce: 5412ESHD482412THI-BT | Rev. 15 |
| SEE BILL OF MATERIAL ON LAST PAGE | 0 |

SEE BILL OF MATERIAL ON LAST PAGE

This drawing is confidential and must not be reproduced or used without the consent of EXM

Ce dessin est confidentiel et ne doit pas être reproduit ou utilisé sans le consentement de EXM



| No. | Revisions | Date | By/Par |
|-----|-----------|------|--------|
| | | | |
| | | | |
| | | | |
| | | | |

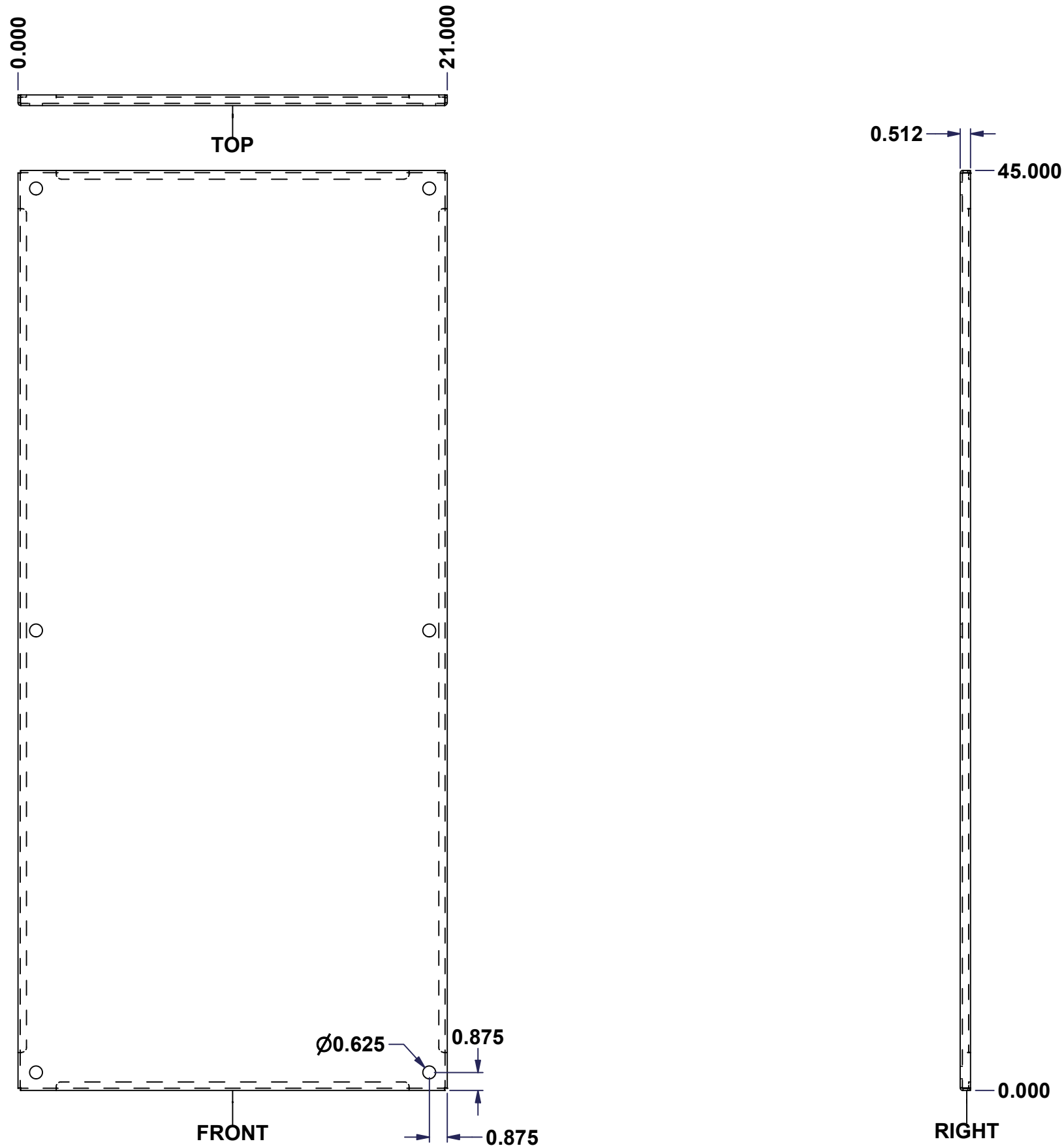
Isometric View

| | | |
|---|---------------------------|---------------------------|
| <p>Tél: (450) 979-4373 Fax: (450) 979-4626 www.exmweb.com</p> | | Flatness Aplatissement |
| | | Max 3.0mm |
| | | Projection |
| Customer Client | Date | |
| Drawn By Dessiné Par | BoxCad: Patrick Deschenes | Date 23-Jan-07 |
| Material Matière | Polyisocyanurate | |
| Color Couleur | Aluminum | Finish Fini N/A |
| Description | | Detail Rev. |
| 5412ESHD 48" x 24" Cover Insulation | | |
| Part Number Numéro Pièce | Rev. | 16 |
| 5412ESHD482412THI-C | 0 | 16 |

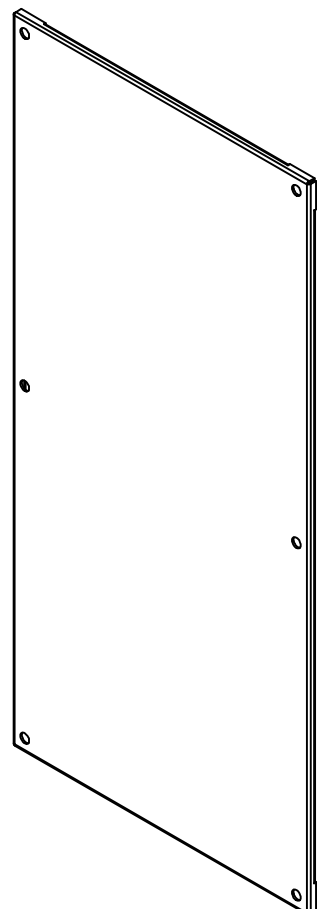
SEE BILL OF MATERIAL ON LAST PAGE

This drawing is confidential and must not be reproduced or used without the consent of EXM

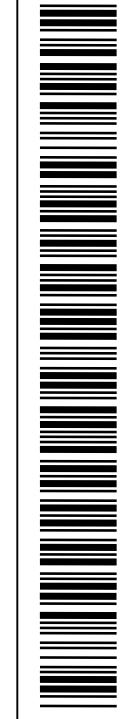
Ce dessin est confidentiel et ne doit pas être reproduit ou utilisé sans le consentement de EXM


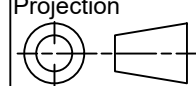


| No. | Revisions | Date | By/Par |
|-----|-----------|------|--------|
| | | | |
| | | | |
| | | | |
| | | | |
| | | | |



Isometric View



| | | |
|--|--------------------------|---|
|  Tél: (450) 979-4373 Fax: (450) 979-4626 www.exmweb.com | | Flatness Aplatissement Max 3.0mm Projection  |
| Customer Client | Date | |
| Drawn By Dessiné Par | BoxCad: nickz | Date 01/03/2017 |
| Material Matière | 12 Ga Galvanized (2.5mm) | |
| Color Couleur | See Part List | Finish Fini See Part List |
| Description | | Detail Rev. |
| 885SP 48" x 24" Inner Panel Part | | |
| Part Number Numéro Pièce | Rev. | 1 |
| 885SP4824G | 0 | 1 |

| Qty | Part Number | Rev | Description | Material | Color | Finish |
|-----|--------------|-----|----------------------------------|--------------------------|-----------|------------|
| 1 | 885SP4824G-P | 0 | 885SP 48" x 24" Inner Panel Part | 12 Ga Galvanized (2.5mm) | Unpainted | Galvanized |

Parts List