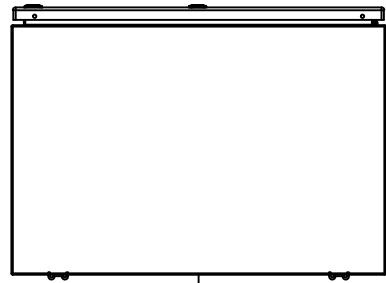
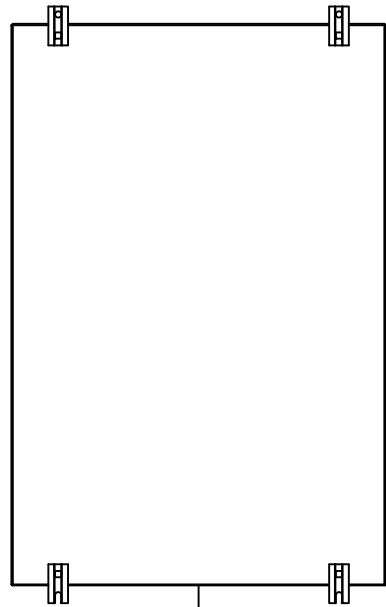


This drawing is confidential and must not be reproduced or used without the consent of EXM

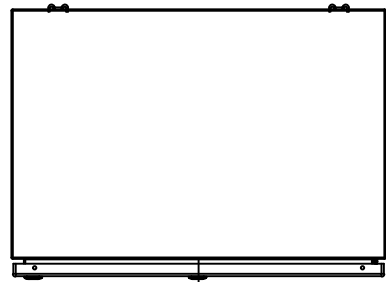
Ce dessin est confidentiel et ne doit pas être reproduit ou utilisé sans le consentement de EXM



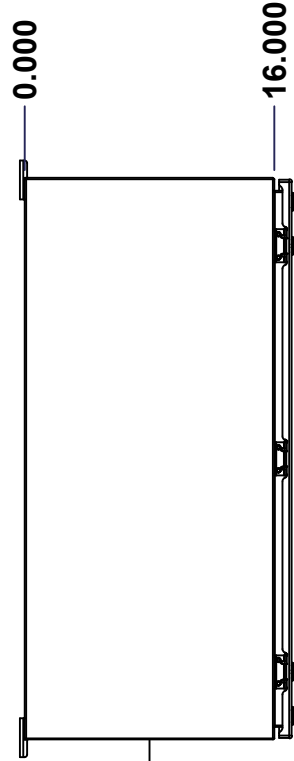
TOP



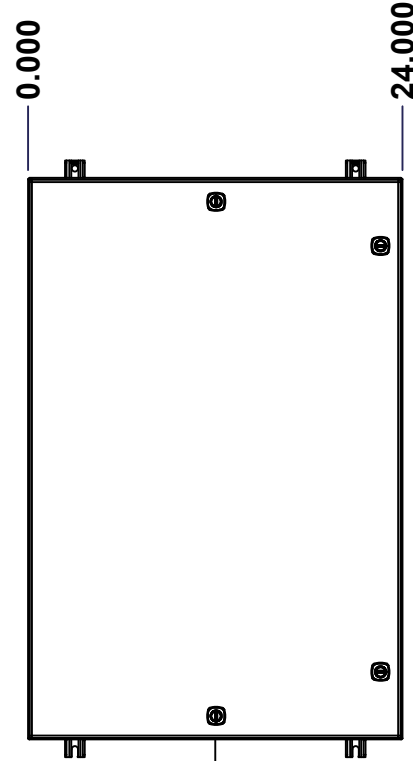
BACK



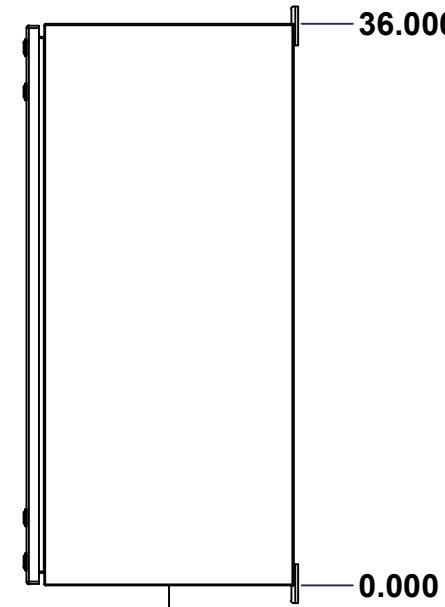
BOTTOM



LEFT

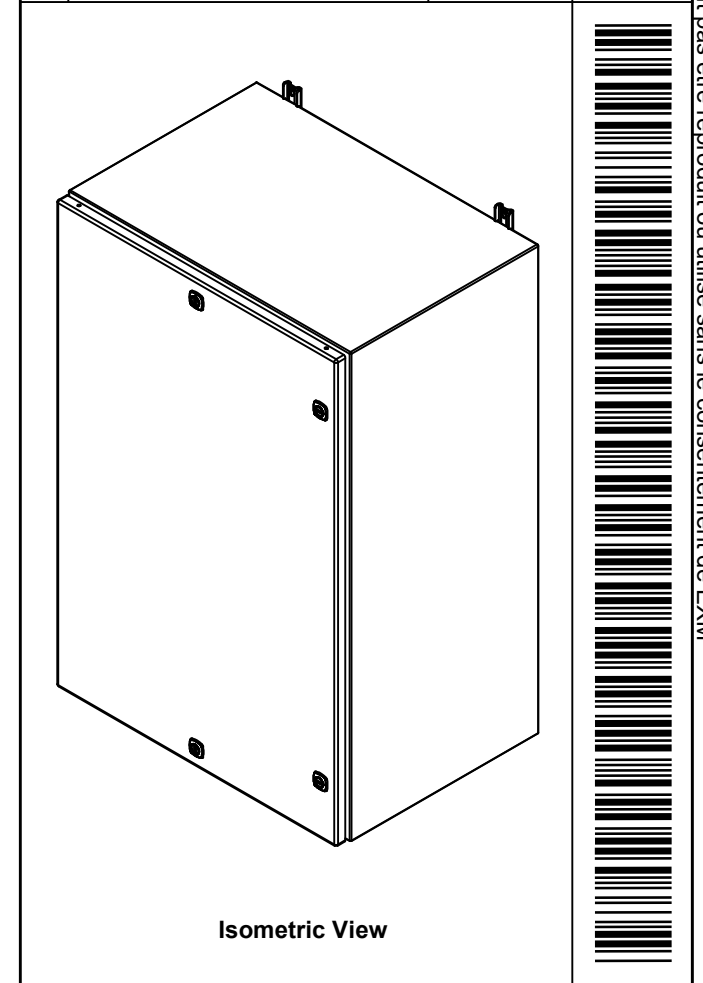


FRONT




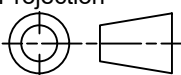
RIGHT

| No. | Revisions | Date | By/Par |
|-----|-----------|------|--------|
|     |           |      |        |
|     |           |      |        |
|     |           |      |        |
|     |           |      |        |



Isometric View



|  |   |   |
|--|---|---|
|  Tél: (450) 979-4373<br>Fax: (450) 979-4626<br><a href="http://www.exmweb.com">www.exmweb.com</a> |   | Flatness<br>Aplatissement<br>Max 3.0mm<br>Projection<br> |
| Customer<br>Client   | Date                                      |   |
| Drawn By<br>Dessiné Par  | BoxCad: BoxCad                            | Date 27-Feb-25  |
| Material<br>Matière  | 16 Ga Cold Rolled A1008 CS Type B (1.4mm) |   |
| Color<br>Couleur   | Asa-61 Grey                               | Finish<br>Fini Smooth   |
| Description<br>5412ESPR 36" x 24" x 16" Assembly   |   | Detail Rev.   |
| Part Number<br>Numéro Pièce  | Rev. 0                                    | 1 / 16  |

SEE BILL OF MATERIAL ON LAST PAGE

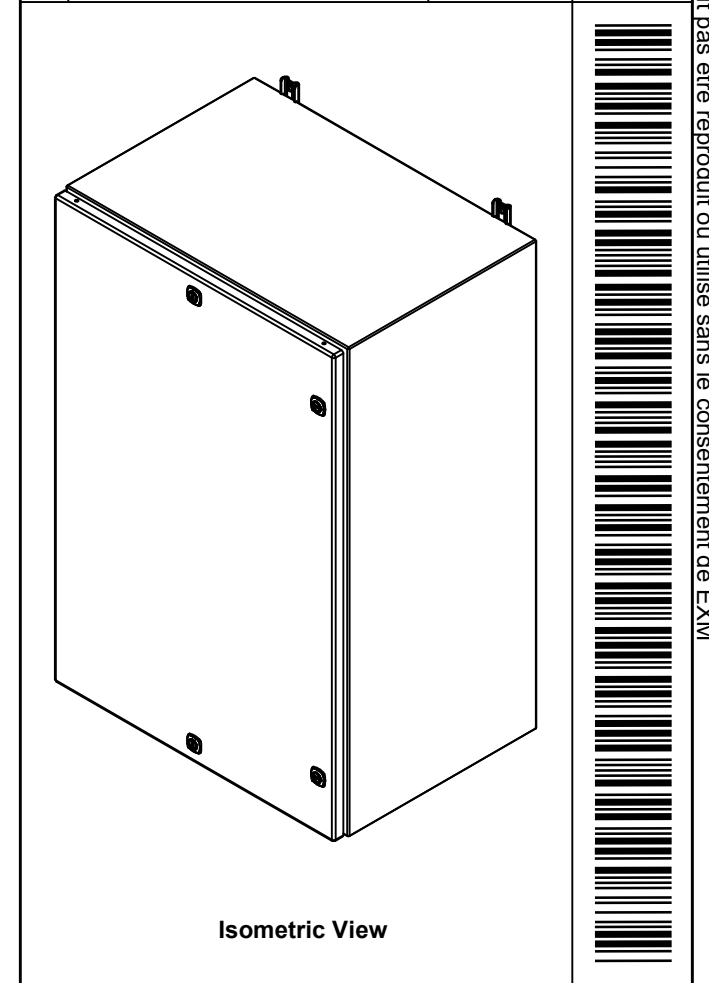
**5412ESPR362416TH**


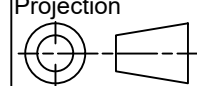
This drawing is confidential and must not be reproduced or used without the consent of EXM

Ce dessin est confidentiel et ne doit pas être reproduit ou utilisé sans le consentement de EXM

| NOTE |  |
|------|--|
| ITEM | DESCRIPTION                                    |
| 1    | NEMA 4, 12 Enclosure (IP66)                    |
| 2    | C/W Standard ground studs on box and cover     |
| 3    | C/W Standard door stiffener                    |
| 4    | C/W Standard inner panel (Included)            |
| 5    | C/W Standard inner panel mounting studs        |
| 6    | C/W R5 Insulation (Installed aluminum visible) |

| No. | Revisions | Date | By/Par |
|-----|-----------|------|--------|
|     |           |      |        |
|     |           |      |        |
|     |           |      |        |
|     |           |      |        |
|     |           |      |        |
|     |           |      |        |



|  |   |
|--|---|
|  Tél: (450) 979-4373<br>Fax: (450) 979-4626<br><a href="http://www.exmweb.com">www.exmweb.com</a> | Flatness<br>Aplatissement   |
|  | Max 3.0mm   |
| Projection   |  |
| Customer Client  | Date  |
| Drawn By<br>Dessiné Par BoxCad: BoxCad   | Date 27-Feb-25  |
| Material<br>Matière 16 Ga Cold Rolled A1008 CS Type B (1.4mm)  |   |

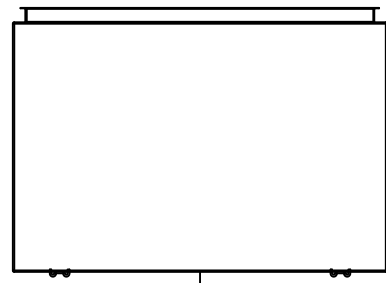
| PACKING               |     |  |
|-----------------------|-----|--|
| ITEM                  | QTY | DESCRIPTION                                |
| Cardboard sleeve      | 2   | Top and Bottom                             |
| Cardboard strip       | 2   | Between back of enclosure and inner panel  |
| Plastic bag           | 1   | To protect cover surface and inside gasket |
| Plastic strap - Black | 2   | To Squeeze the 2 cardboard sleeve together |
| Packaging label       | 1   | White label with product number            |

| Qty        | Part Number       | Rev | Description                                |
|------------|-------------------|-----|--|
| 6          | STK-Q-00600       | 2   | M12 to M8 Adaptor                          |
| 1          | 881 SP3624G       | 0   | 881 SP - Inner Panel                       |
| 1          | STK-K-01800       | 5   | 5412 ES Accessory Kit                      |
| 1          | 5412ESPR362416THC | 0   | 5412ESPR 36" x 24" Cover                   |
| 1          | 5412ESPR362416THB | 0   | 5412ESPR 36" x 24" x 16" Body              |
| 6          | STK-Q-04050-08    | 0   | M6 x 8mm Hexagon Socket Head Machine Screw |
| Parts List |                   |     |  |

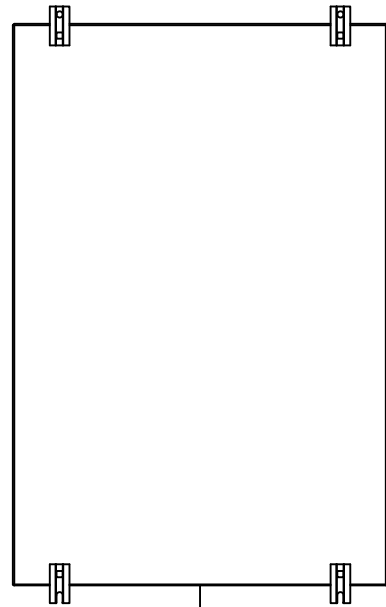
|                             |                                   |                |        |
|-----------------------------|-----------------------------------|----------------|--------|
| Color<br>Couleur            | Asa-61 Grey                       | Finish<br>Fini | Smooth |
| Description                 | 5412ESPR 36" x 24" x 16" Assembly |                |        |
| Part Number<br>Numéro Pièce | <b>5412ESPR362416TH</b>           |                | Rev. 0 |
|                             |                                   |                | 2      |
|                             |                                   |                | 16     |

This drawing is confidential and must not be reproduced or used without the consent of EXM

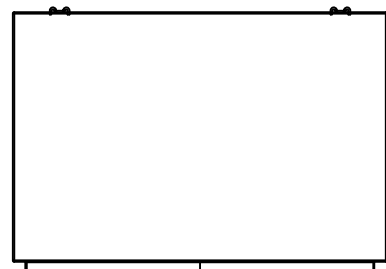
Ce dessin est confidentiel et ne doit pas être reproduit ou utilisé sans le consentement de EXM



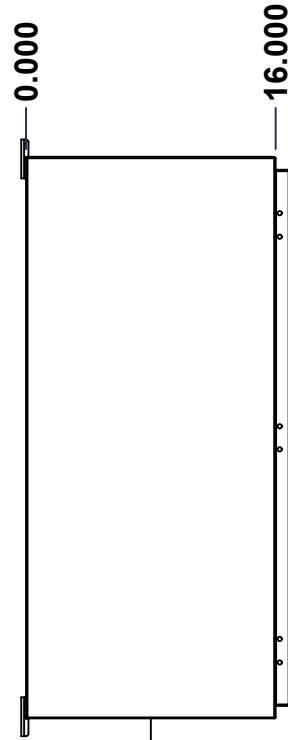
TOP



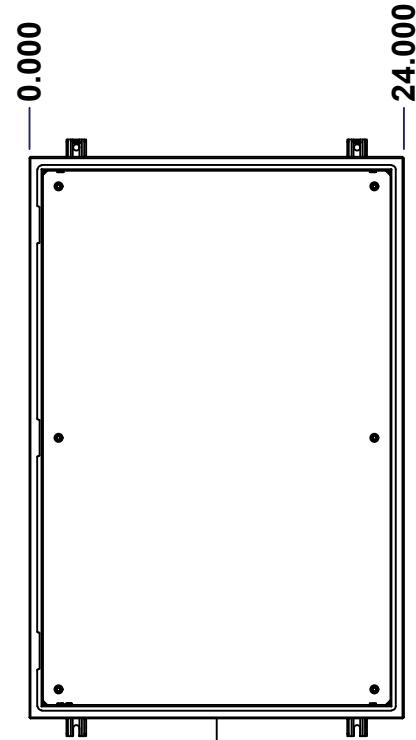
BACK



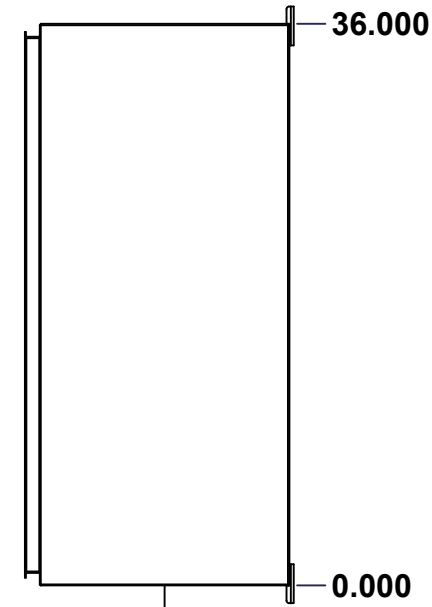
BOTTOM



LEFT

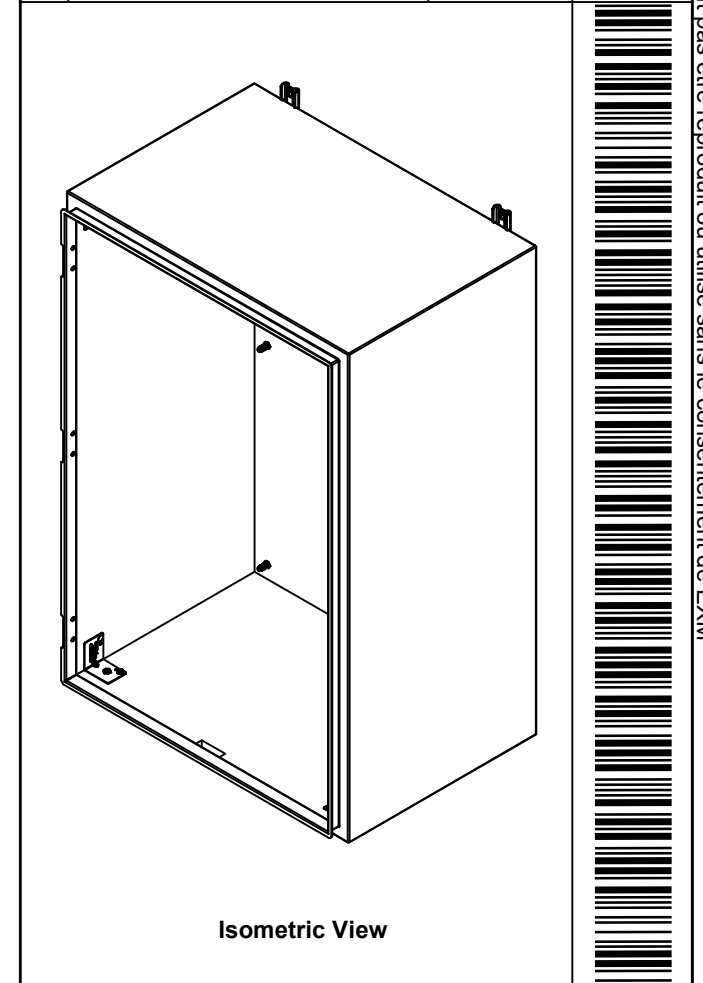


FRONT




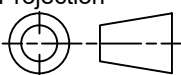
RIGHT

| No. | Revisions | Date | By/Par |
|-----|-----------|------|--------|
|     |           |      |        |
|     |           |      |        |
|     |           |      |        |
|     |           |      |        |



Isometric View



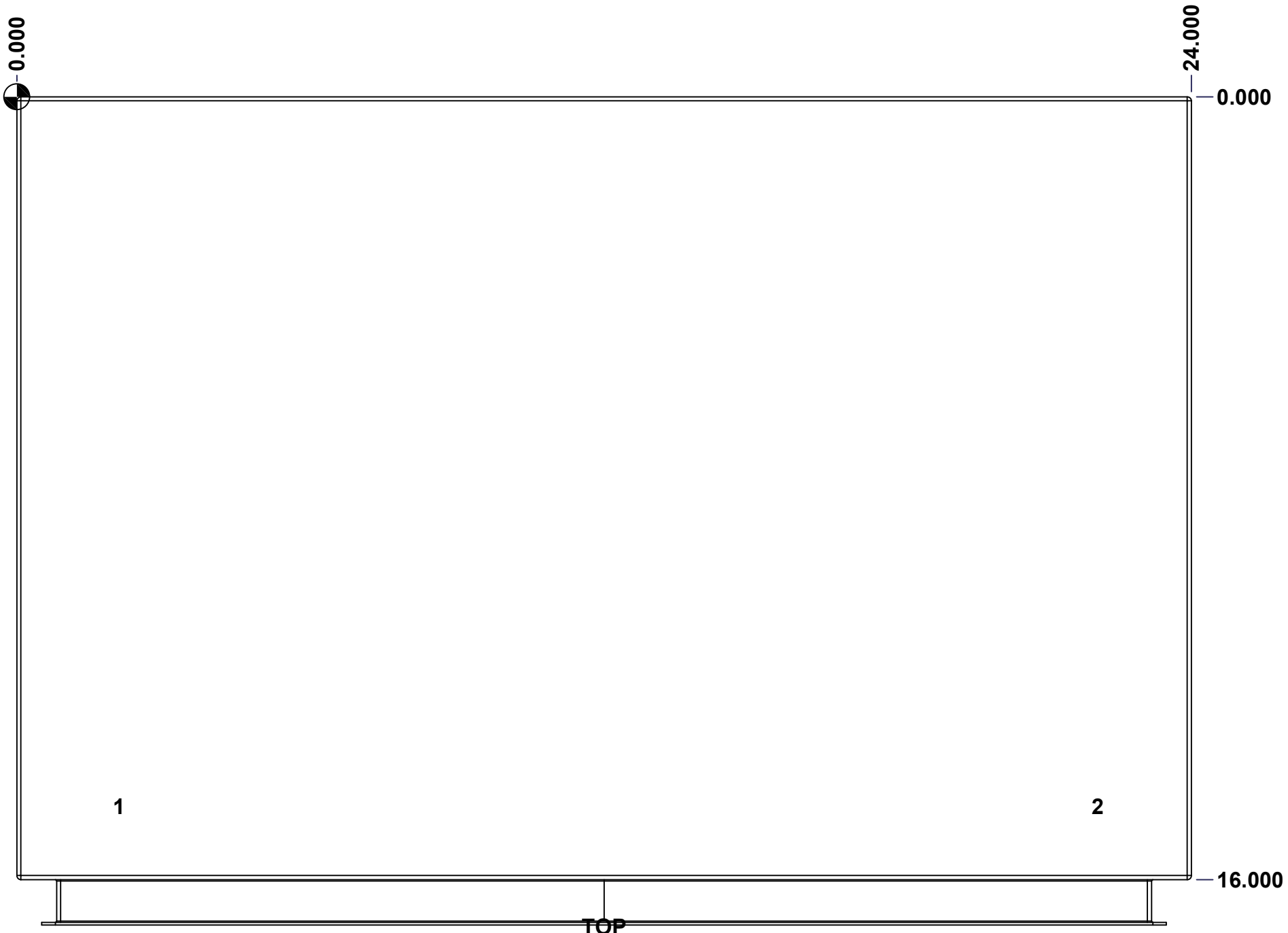
|  |   |   |
|--|---|---|
|  Tél: (450) 979-4373<br>Fax: (450) 979-4626<br><a href="http://www.exmweb.com">www.exmweb.com</a> |   | Flatness<br>Aplatissement<br>Max 3.0mm<br>Projection<br> |
| Customer Client  | Date                                      |   |
| Drawn By<br>Dessiné Par  | BoxCad: BoxCad                            | Date 27-Feb-25  |
| Material<br>Matière  | 16 Ga Cold Rolled A1008 CS Type B (1.4mm) |   |
| Color<br>Couleur   | Asa-61 Grey                               | Finish<br>Fini Smooth   |
| Description  | Detail Rev.                               |   |
| 5412ESPR 36" x 24" x 16" Body  |   |   |
| Part Number<br>Numéro Pièce  | Rev. 0                                    | 3 / 16  |
| <b>5412ESPR362416THB</b>   |   |   |

SEE BILL OF MATERIAL ON LAST PAGE

This drawing is confidential and must not be reproduced or used without the consent of EXM

Ce dessin est confidentiel et ne doit pas être reproduit ou utilisé sans le consentement de EXM

| STANDARD FEATURES ARE NOT LISTED IN THIS HOLE TABLE |        |        |                                |
|---|--------|--------|--------------------------------|
| HOLE TABLE - TOP VIEW (CUSTOM FEATURE ONLY)         |        |        |                                |
| CUT-OUT   | XDIM   | YDIM   | DESCRIPTION                    |
| 1   | 2.000  | 14.500 | INSUL. STUD M6 x 18mm (Inside) |
| 2   | 22.000 | 14.500 | INSUL. STUD M6 x 18mm (Inside) |

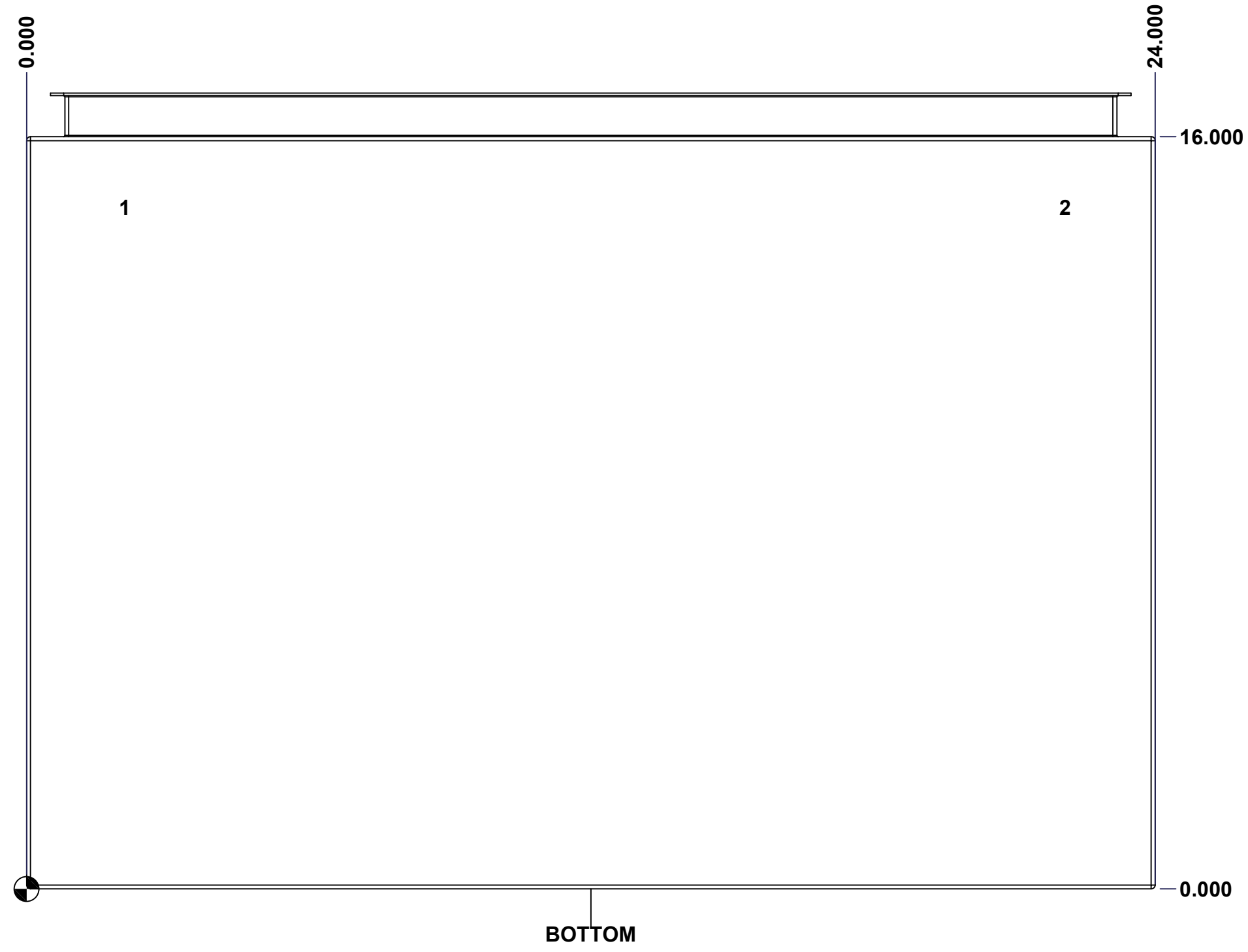


|  |                               |              |
|--|-------------------------------|--------------|
|  | Description                   | Status       |
|  | 5412ESPR 36" x 24" x 16" Body | (NULL)       |
|  | Part Number<br>Numéro Pièce   | Rev.         |
|  | <b>5412ESPR362416THB</b>      | <b>0</b> / 4 |
|  |                               | 16           |

This drawing is confidential and must not be reproduced or used without the consent of EXM

Ce dessin est confidentiel et ne doit pas être reproduit ou utilisé sans le consentement de EXM

| <b>STANDARD FEATURES ARE NOT LISTED IN THIS HOLE TABLE</b> |        |        |                                |
|--|--------|--------|--------------------------------|
| <b>HOLE TABLE - BOTTOM VIEW (CUSTOM FEATURE ONLY)</b>      |        |        |                                |
| CUT-OUT  | XDIM   | YDIM   | DESCRIPTION                    |
| 1  | 2.000  | 14.500 | INSUL. STUD M6 x 18mm (Inside) |
| 2  | 22.000 | 14.500 | INSUL. STUD M6 x 18mm (Inside) |



|  |                               |              |
|--|-------------------------------|--------------|
|  | Description                   | Status       |
|  | 5412ESPR 36" x 24" x 16" Body | (NULL)       |
|  | Part Number<br>Numéro Pièce   | Rev.         |
|  | <b>5412ESPR362416THB</b>      | <b>0</b> / 5 |
|  |                               | 16           |

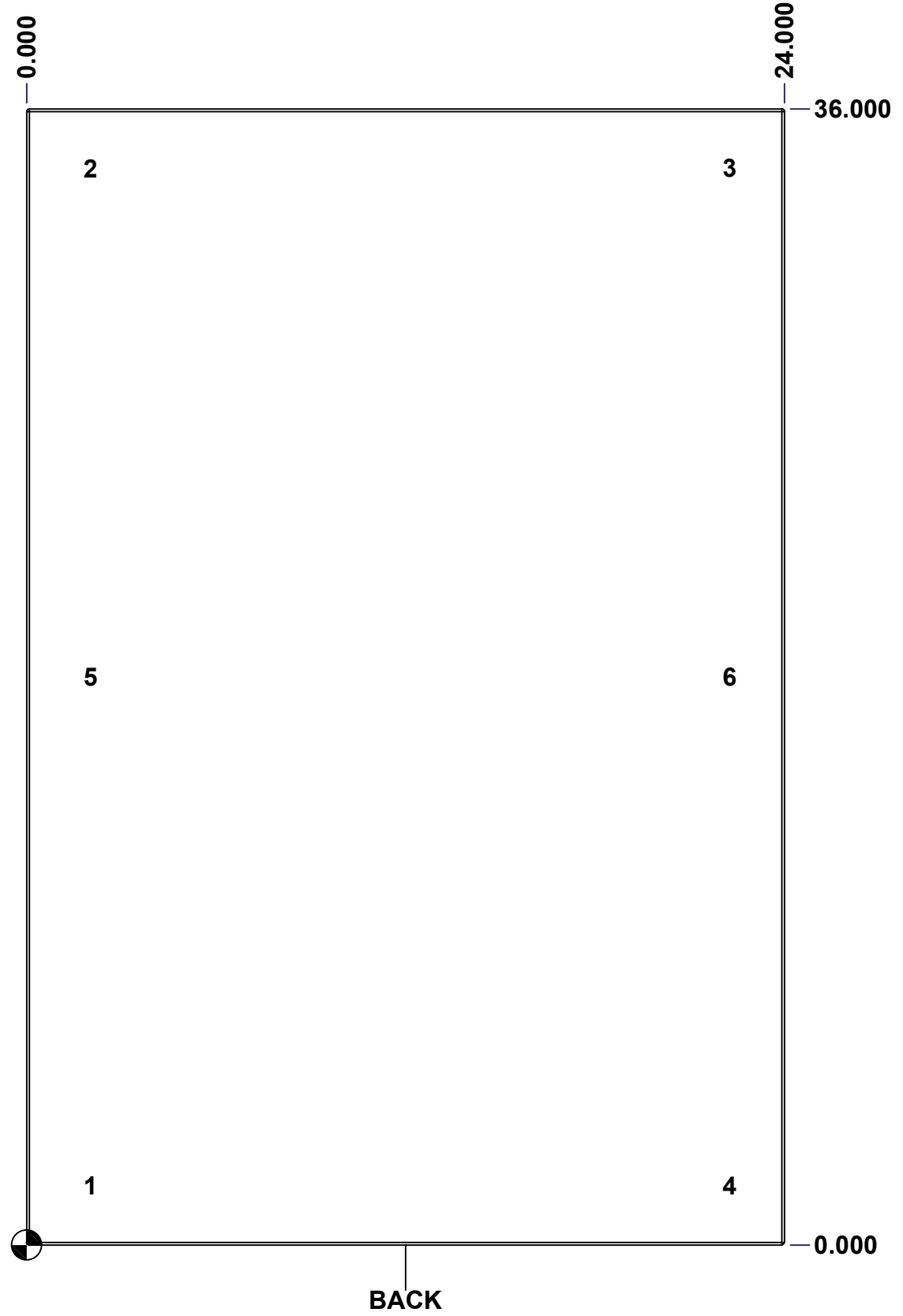
This drawing is confidential and must not be reproduced or used without the consent of EXM

Ce dessin est confidentiel et ne doit pas être reproduit ou utilisé sans le consentement de EXM

**STANDARD FEATURES ARE NOT LISTED IN THIS HOLE TABLE**

**HOLE TABLE - BACK VIEW (CUSTOM FEATURE ONLY)**

| CUT-OUT | XDIM   | YDIM   | DESCRIPTION                |
|---------|--------|--------|----------------------------|
| 1       | 1.875  | 1.875  | IP STUD M8 x 35mm (Inside) |
| 2       | 1.875  | 34.125 | IP STUD M8 x 35mm (Inside) |
| 3       | 22.125 | 34.125 | IP STUD M8 x 35mm (Inside) |
| 4       | 22.125 | 1.875  | IP STUD M8 x 35mm (Inside) |
| 5       | 1.875  | 18.000 | IP STUD M8 x 35mm (Inside) |
| 6       | 22.125 | 18.000 | IP STUD M8 x 35mm (Inside) |

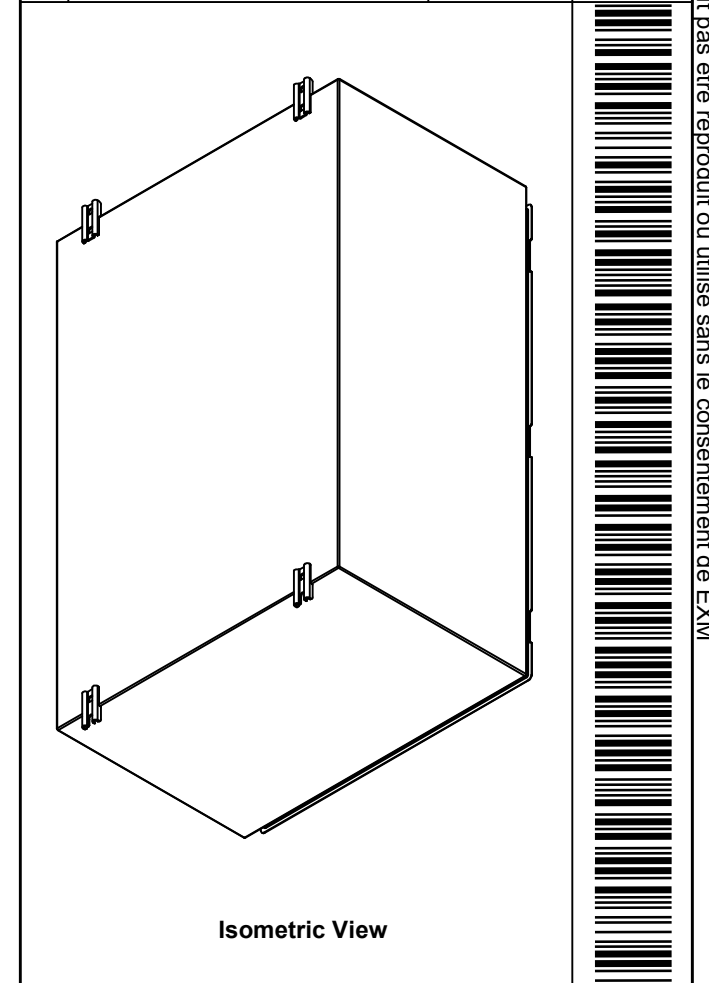


|  |                               |              |
|--|-------------------------------|--------------|
|  | Description                   | Status       |
|  | 5412ESPR 36" x 24" x 16" Body | (NULL)       |
|  | Part Number<br>Numéro Pièce   | Rev.         |
|  | <b>5412ESPR362416THB</b>      | <b>0</b> / 6 |
|  |                               | 16           |


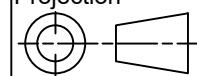
This drawing is confidential and must not be reproduced or used without the consent of EXM

Ce dessin est confidentiel et ne doit pas être reproduit ou utilisé sans le consentement de EXM

| No. | Revisions | Date | By/Par |
|-----|-----------|------|--------|
|     |           |      |        |
|     |           |      |        |
|     |           |      |        |
|     |           |      |        |
|     |           |      |        |

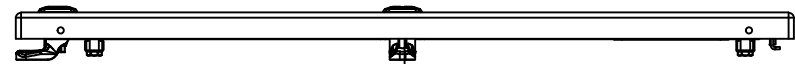


| 1          | STK-K-70554          | 3   | 5412 ESTH Accessory Kit                |
|------------|----------------------|-----|--|
| 1          | 5412ESPR362416THI-RS | 0   | 5412ESPR 36" x 24" Right Insulation    |
| 1          | 5412ESPR362416THI-LS | 0   | 5412ESPR 36" x 24" Left Insulation     |
| 1          | 5412ESPR362416THI-BT | 0   | 5412ESPR 36" x 24"Bottom Insulation    |
| 1          | 5412ESPR362416THI-TP | 0   | 5412ESPR 36" x 24"Top Insulation       |
| 1          | 5412ESPR362416THI-B  | 0   | 5412ESPR 36" x 24" Back Insulation     |
| 4          | STK-Q-16055          | 1   | M6 x 18mm Stud (No Paint Cap Required) |
| 2          | 885ESMF3-FEET        | 0   | 885 ESMF3 Mounting Foot (Close)        |
| 2          | 885ESMF3-FEET-A      | 0   | 885 ESMF3 Mounting Foot (Open)         |
| 1          | STK-P-02400S         | 0   | Powder Paint (Asa-61 Grey / Smooth)    |
| 6          | STK-Q-16005          | 0   | Stud M8 x 35mm Steel                   |
| 1          | 5412ESPR362416THB-P  | 0   | 5412ESPR 36" x 24" x 16" Body Part     |
| Qty        | Part Number          | Rev | Description                            |
| Parts List |                      |     |  |

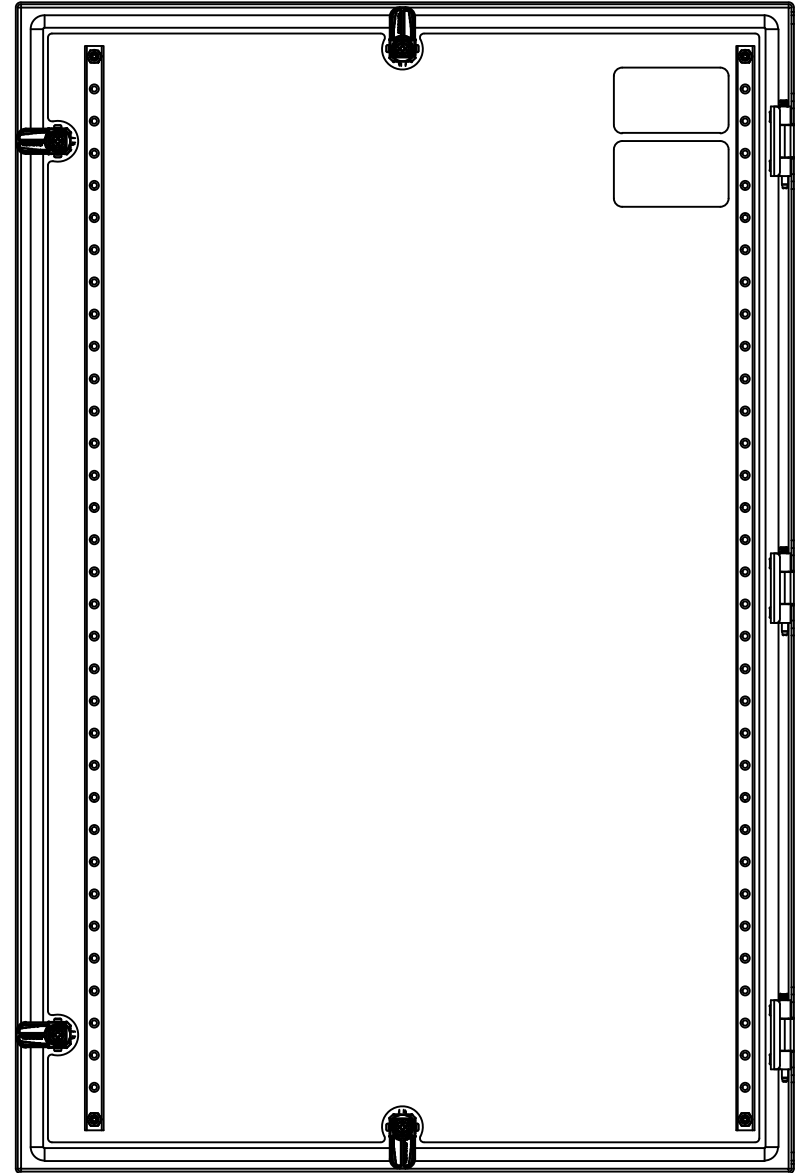
|  |                       |  |
|--|-----------------------|--|
|  Tél: (450) 979-4373<br>Fax: (450) 979-4626<br><a href="http://www.exmweb.com">www.exmweb.com</a> |                       | Flatness<br>Aplatissement<br>Max 3.0mm |
| Projection<br>  |                       | Customer<br>Client                     |
| Drawn By<br>Dessiné Par BoxCad: BoxCad   |                       | Date<br>27-Feb-25                      |
| Material<br>Matière 16 Ga Cold Rolled A1008 CS Type B (1.4mm)  |                       |  |
| Color<br>Couleur Asa-61 Grey   | Finish<br>Fini Smooth |  |
| Description<br>5412ESPR 36" x 24" x 16" Body   |                       | Detail Rev.                            |
| Part Number<br>Numéro Pièce<br><b>5412ESPR362416THB</b>  |                       | Rev. 7<br><b>0</b>                     |
|  |                       | 16                                     |

This drawing is confidential and must not be reproduced or used without the consent of EXM

Ce dessin est confidentiel et ne doit pas être reproduit ou utilisé sans le consentement de EXM



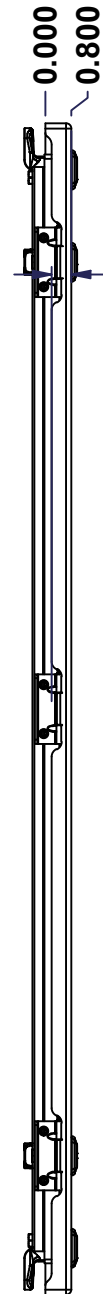
TOP



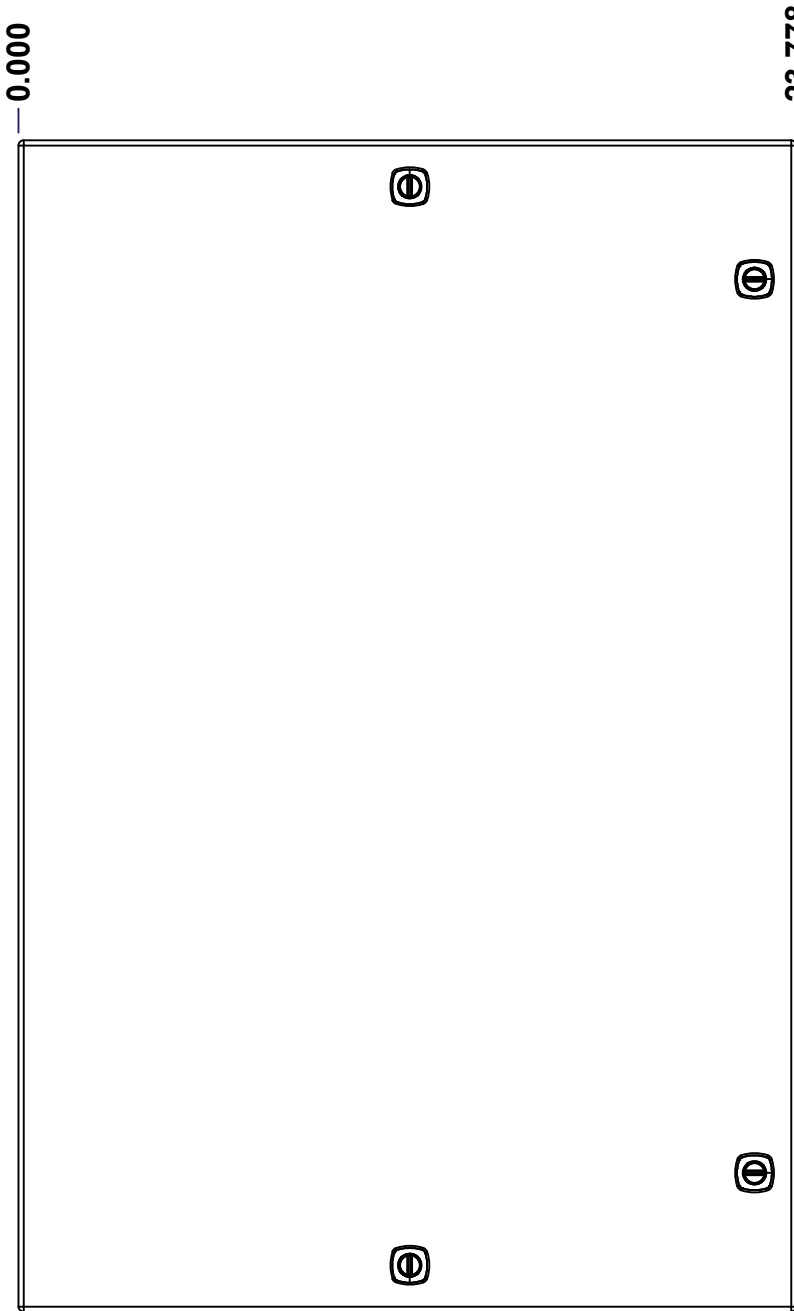
BACK



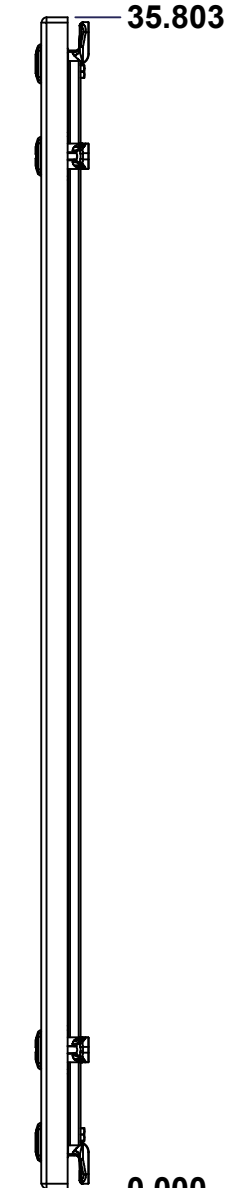
BOTTOM



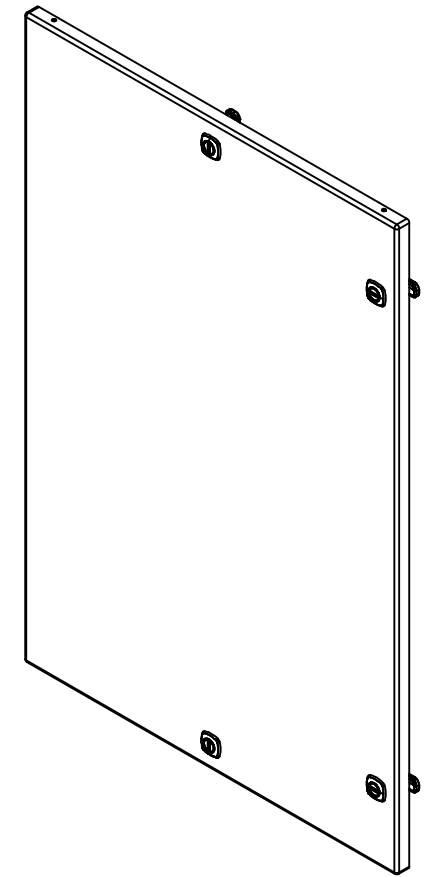
LEFT



FRONT




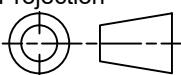
RIGHT



Isometric View



| No. | Revisions | Date | By/Par |
|-----|-----------|------|--------|
|     |           |      |        |
|     |           |      |        |
|     |           |      |        |
|     |           |      |        |
|     |           |      |        |

|  |   |   |
|--|---|---|
|  Tél: (450) 979-4373<br>Fax: (450) 979-4626<br><a href="http://www.exmweb.com">www.exmweb.com</a> |   | Flatness<br>Aplatissement<br>Max 3.0mm<br>Projection<br> |
| Customer Client  | Date                                      |   |
| Drawn By<br>Dessiné Par  | BoxCad: BoxCad                            | Date 27-Feb-25  |
| Material<br>Matière  | 14 Ga Cold Rolled A1008 CS Type B (1.7mm) |   |
| Color<br>Couleur   | Asa-61 Grey                               | Finish<br>Fini Smooth   |
| Description  |   | Detail Rev.   |
| 5412ESPR 36" x 24" Cover   |   |   |
| Part Number<br>Numéro Pièce  | Rev.                                      | 8   |
| 5412ESPR362416THC  | 0   | 16  |

SEE BILL OF MATERIAL ON LAST PAGE

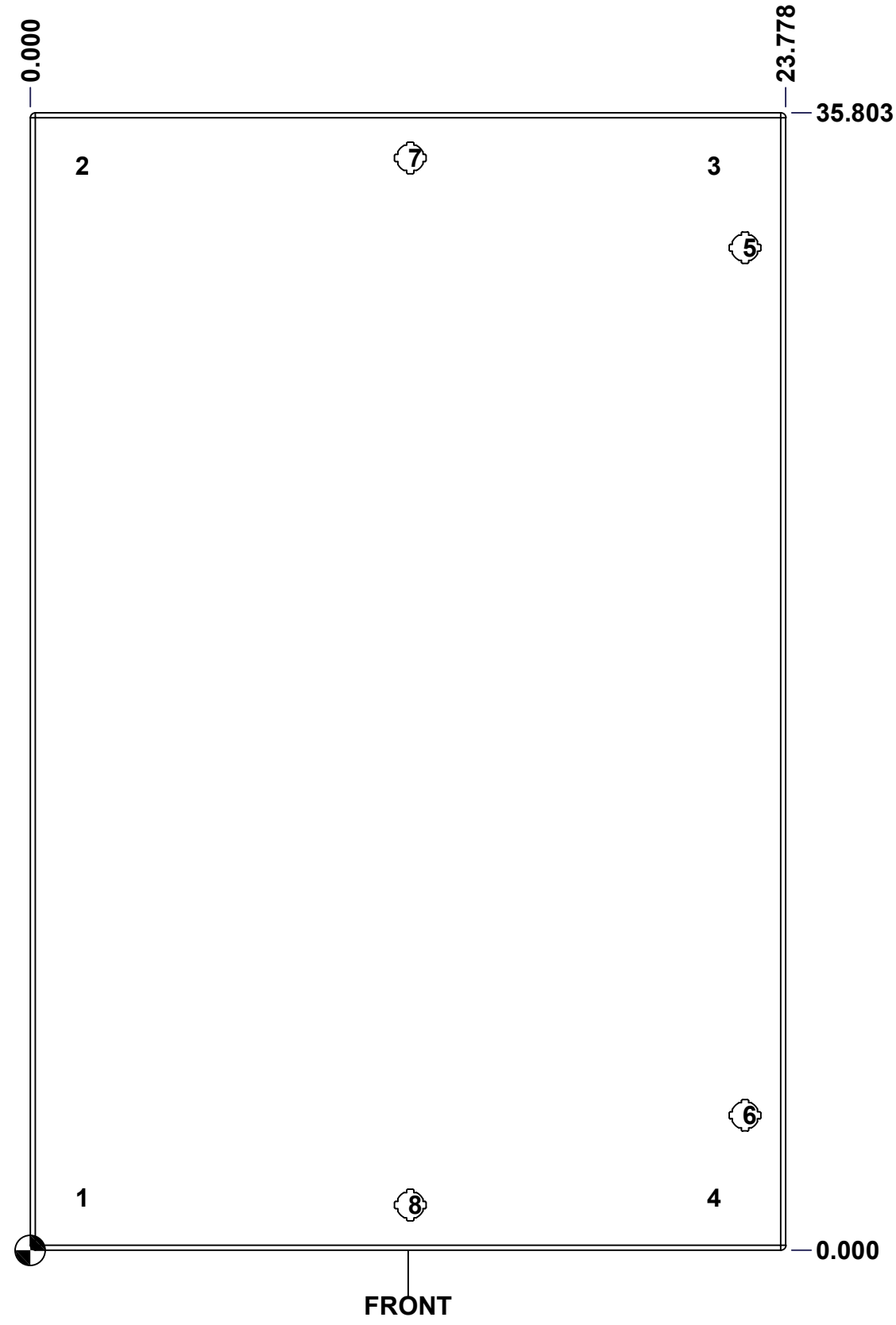
This drawing is confidential and must not be reproduced or used without the consent of EXM

Ce dessin est confidentiel et ne doit pas être reproduit ou utilisé sans le consentement de EXM

**STANDARD FEATURES ARE NOT LISTED IN THIS HOLE TABLE**

**HOLE TABLE - FRONT VIEW (CUSTOM FEATURE ONLY)**

| CUT-OUT | XDIM   | YDIM   | DESCRIPTION               |
|---------|--------|--------|---------------------------|
| 1       | 1.486  | 1.661  | STUD M6 x 18mm (Inside)   |
| 2       | 1.486  | 34.142 | STUD M6 x 18mm (Inside)   |
| 3       | 21.377 | 34.142 | STUD M6 x 18mm (Inside)   |
| 4       | 21.377 | 1.661  | STUD M6 x 18mm (Inside)   |
| -----   |        |        |                           |
| 5       | 22.494 | 31.553 | LOCK 880 SCQ4-SL @ 0.0°   |
| 6       | 22.494 | 4.250  | LOCK 880 SCQ4-SL @ 0.0°   |
| 7       | 11.959 | 34.379 | LOCK 880 SCQ4-SL @ 90.0°  |
| 8       | 11.959 | 1.424  | LOCK 880 SCQ4-SL @ 270.0° |

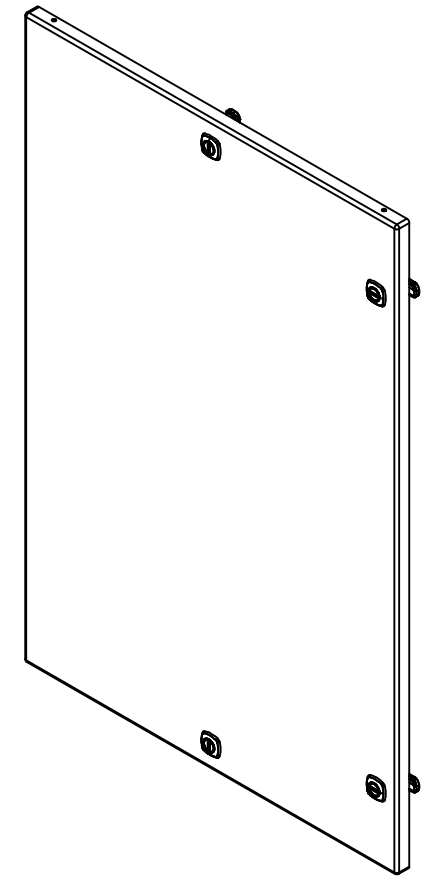


|  |                             |              |
|--|-----------------------------|--------------|
|  | Description                 | Status       |
|  | 5412ESPR 36" x 24" Cover    | (NULL)       |
|  | Part Number<br>Numéro Pièce | Rev.         |
|  | <b>5412ESPR362416THC</b>    | <b>0</b> / 9 |
|  |                             | 16           |

This drawing is confidential and must not be reproduced or used without the consent of EXM


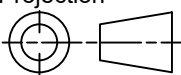
Ce dessin est confidentiel et ne doit pas être reproduit ou utilisé sans le consentement de EXM

| No. | Revisions | Date | By/Par |
|-----|-----------|------|--------|
|     |           |      |        |
|     |           |      |        |
|     |           |      |        |
|     |           |      |        |
|     |           |      |        |



Isometric View

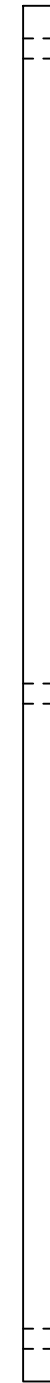
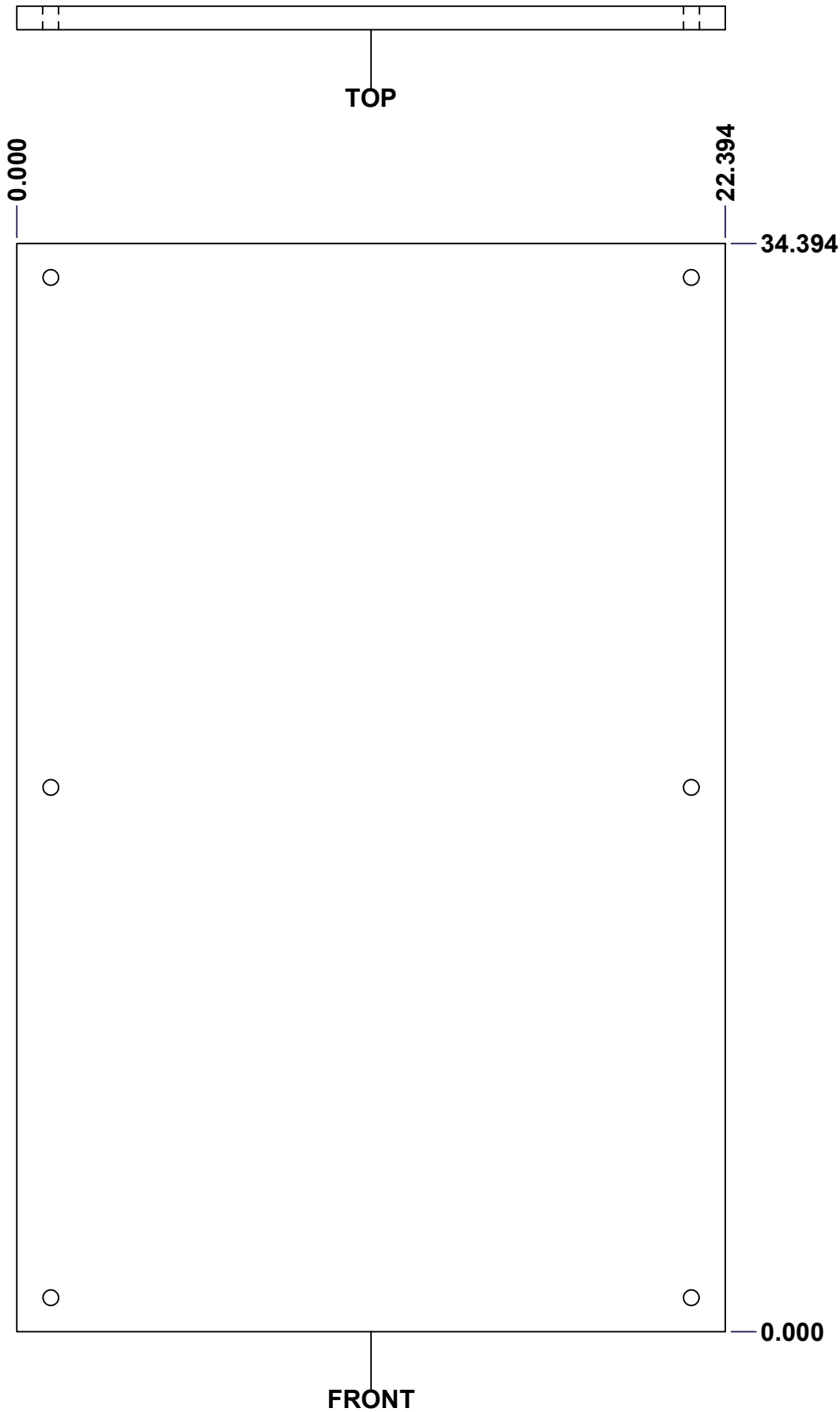


|  |   |   |
|--|---|---|
|  Tél: (450) 979-4373<br>Fax: (450) 979-4626<br><a href="http://www.exmweb.com">www.exmweb.com</a> |   | Flatness<br>Aplatissement<br>Max 3.0mm<br>Projection<br> |
| Customer<br>Client   | Date                                      |   |
| Drawn By<br>Dessiné Par  | BoxCad: BoxCad                            | Date 27-Feb-25  |
| Material<br>Matière  | 14 Ga Cold Rolled A1008 CS Type B (1.7mm) |   |
| Color<br>Couleur   | Asa-61 Grey                               | Finish<br>Fini Smooth   |
| Description  |   | Detail Rev.   |
| 5412ESPR 36" x 24" Cover   |   |   |
| Part Number<br>Numéro Pièce  | Rev.                                      | 10  |
| <b>5412ESPR362416THC</b>   | <b>0</b>                                  | 16  |

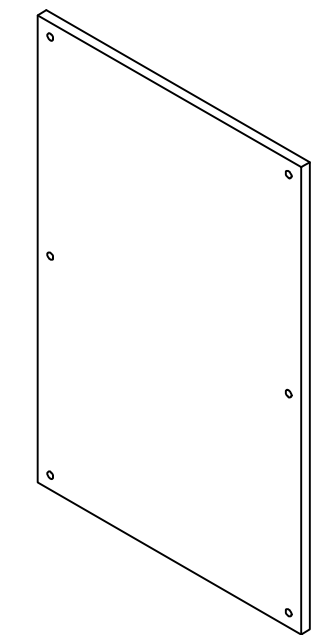
| QTY        | Part Number         | Rev | Description                            |
|------------|---------------------|-----|--|
| 4          | STK-K-12500         | 19  | 5412 ES 1/4 Turn Lock                  |
| 2          | STK-S-00100         | 0   | 3.5" x 2" Silver Milar Flexcon Sticker |
| 4          | STK-Q-07250         | 2   | M6 x 16mm Collar Nut                   |
| 2          | STK-Q-46020-36      | 5   | 5412 ES Vertical Door Stiffener 36"    |
| 1          | 5412ESPR362416THI-C | 0   | 5412ESPR 36" x 24" Cover Insulation    |
| 4          | STK-Q-16055         | 1   | M6 x 18mm Stud (No Paint Cap Required) |
| 1          | 5412ESPR362416THG   | 0   | 5412ESPR 36" x 24" Cover Gasket Part   |
| 1          | 5412ESPR362416THC-P | 0   | 5412ESPR 36" x 24" Cover Part          |
| 3          | STK-A-33005PR       | 1   | 5412 ESPR Hinge 180° (Body Part)       |
| Parts List |                     |     |  |

This drawing is confidential and must not be reproduced or used without the consent of EXM


Ce dessin est confidentiel et ne doit pas être reproduit ou utilisé sans le consentement de EXM


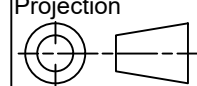


| No. | Revisions | Date | By/Par |
|-----|-----------|------|--------|
|     |           |      |        |
|     |           |      |        |
|     |           |      |        |
|     |           |      |        |
|     |           |      |        |



**Isometric View**

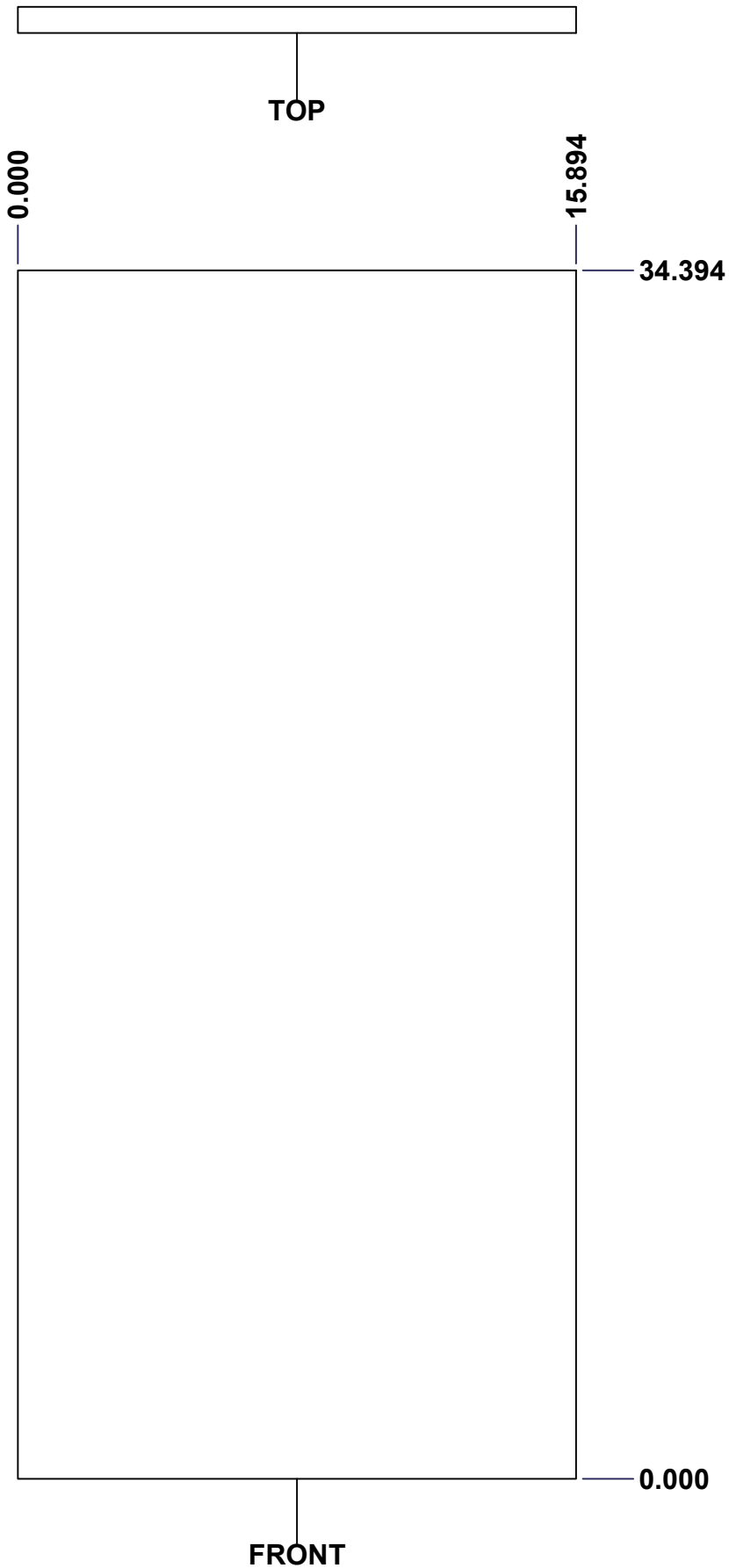


|  |                    |   |
|--|--------------------|---|
|  Tél: (450) 979-4373<br>Fax: (450) 979-4626<br><a href="http://www.exmweb.com">www.exmweb.com</a> |                    | Flatness<br>Aplatissement<br>Max 3.0mm  |
| Customer Client  |                    | Projection<br> |
| Drawn By / Dessiné Par: BoxCad: Patrick Deschenes  |                    | Date: 23-Jan-07   |
| Material / Matière: Polyisocyanurate   |                    |   |
| Color / Couleur: Aluminum  | Finish / Fini: N/A |   |
| Description: 5412ESPR 36" x 24" Back Insulation  |                    | Detail Rev.   |
| Part Number / Numéro Pièce: 5412ESPR362416THI-B  |                    | Rev. 11<br>0  |

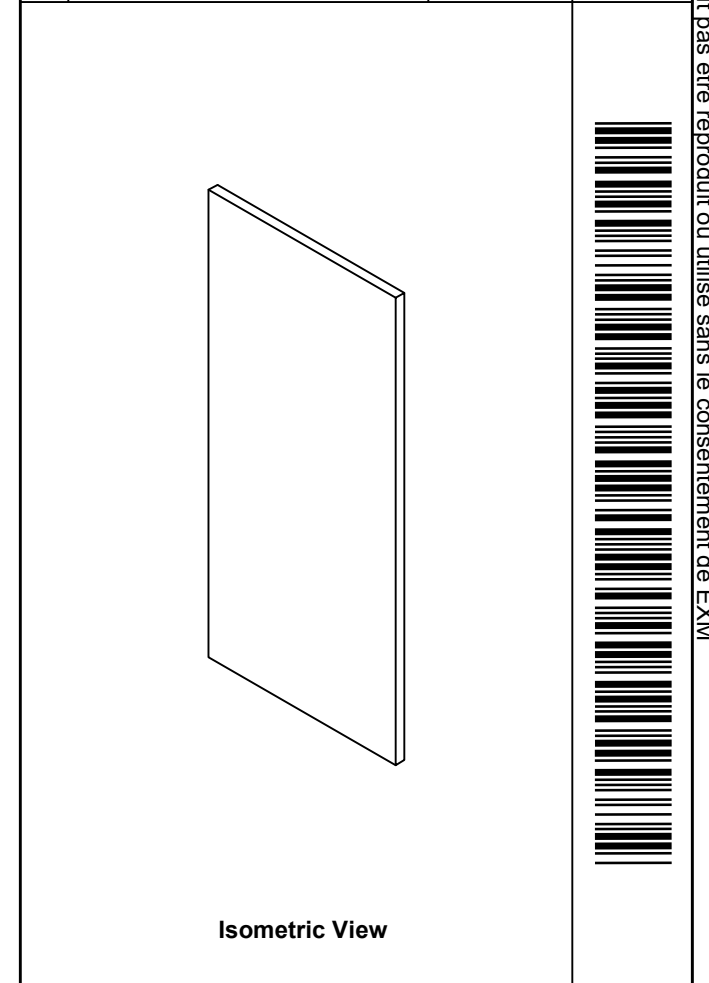
SEE BILL OF MATERIAL ON LAST PAGE

This drawing is confidential and must not be reproduced or used without the consent of EXM


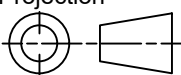
Ce dessin est confidentiel et ne doit pas être reproduit ou utilisé sans le consentement de EXM



| No. | Revisions | Date | By/Par |
|-----|-----------|------|--------|
|     |           |      |        |
|     |           |      |        |
|     |           |      |        |
|     |           |      |        |
|     |           |      |        |



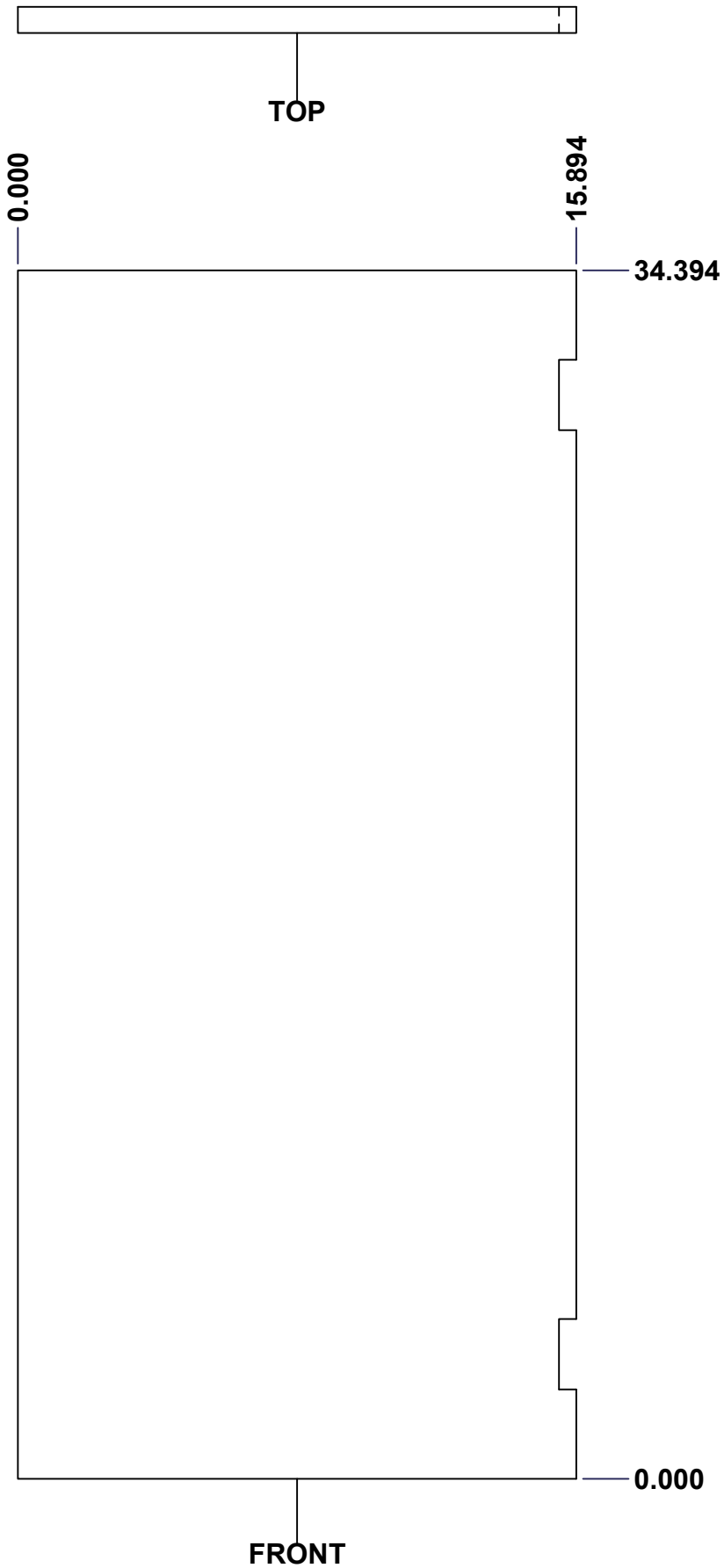
Isometric View

|  |                    |  |
|--|--------------------|--|
|  Tél: (450) 979-4373<br>Fax: (450) 979-4626<br><a href="http://www.exmweb.com">www.exmweb.com</a> |                    | Flatness<br>Aplatissement<br>Max 3.0mm |
| Projection<br>  |                    | Date<br>23-Jan-07                      |
| Customer Client  | Date               |  |
| Drawn By / Dessiné Par: BoxCad: Patrick Deschenes  | Date: 23-Jan-07    |  |
| Material / Matière: Polyisocyanurate   |                    |  |
| Color / Couleur: Aluminum  | Finish / Fini: N/A |  |
| Description: 5412ESPR 36" x 24" Left Insulation  |                    | Detail Rev.                            |
| Part Number / Numéro Pièce: 5412ESPR362416THI-LS   | Rev. 0             | 12 / 16                                |

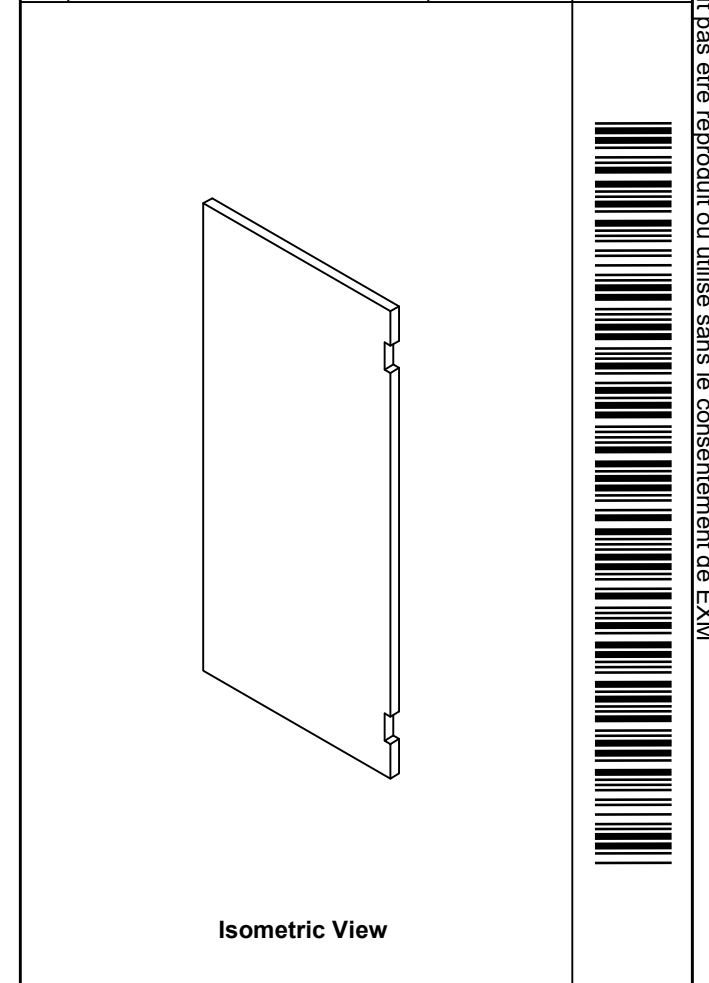
SEE BILL OF MATERIAL ON LAST PAGE

This drawing is confidential and must not be reproduced or used without the consent of EXM


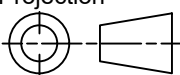
Ce dessin est confidentiel et ne doit pas être reproduit ou utilisé sans le consentement de EXM



| No. | Revisions | Date | By/Par |
|-----|-----------|------|--------|
|     |           |      |        |
|     |           |      |        |
|     |           |      |        |
|     |           |      |        |
|     |           |      |        |



Isometric View

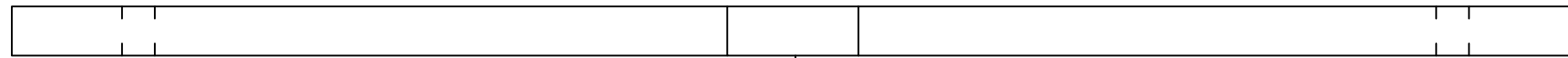
|  |                           |   |
|--|---------------------------|---|
|  Tél: (450) 979-4373<br>Fax: (450) 979-4626<br><a href="http://www.exmweb.com">www.exmweb.com</a> |                           | Flatness<br>Aplatissement<br>Max 3.0mm<br>Projection<br> |
| Customer Client  | Date                      |   |
| Drawn By<br>Dessiné Par  | BoxCad: Patrick Deschenes | Date 23-Jan-07  |
| Material<br>Matière  | Polyisocyanurate          |   |
| Color<br>Couleur   | Aluminum                  | Finish<br>Fini N/A  |
| Description  | Detail Rev.               |   |
| 5412ESPR 36" x 24" Right Insulation  |                           |   |
| Part Number<br>Numéro Pièce  | Rev. 0                    | 13 / 16   |

SEE BILL OF MATERIAL ON LAST PAGE

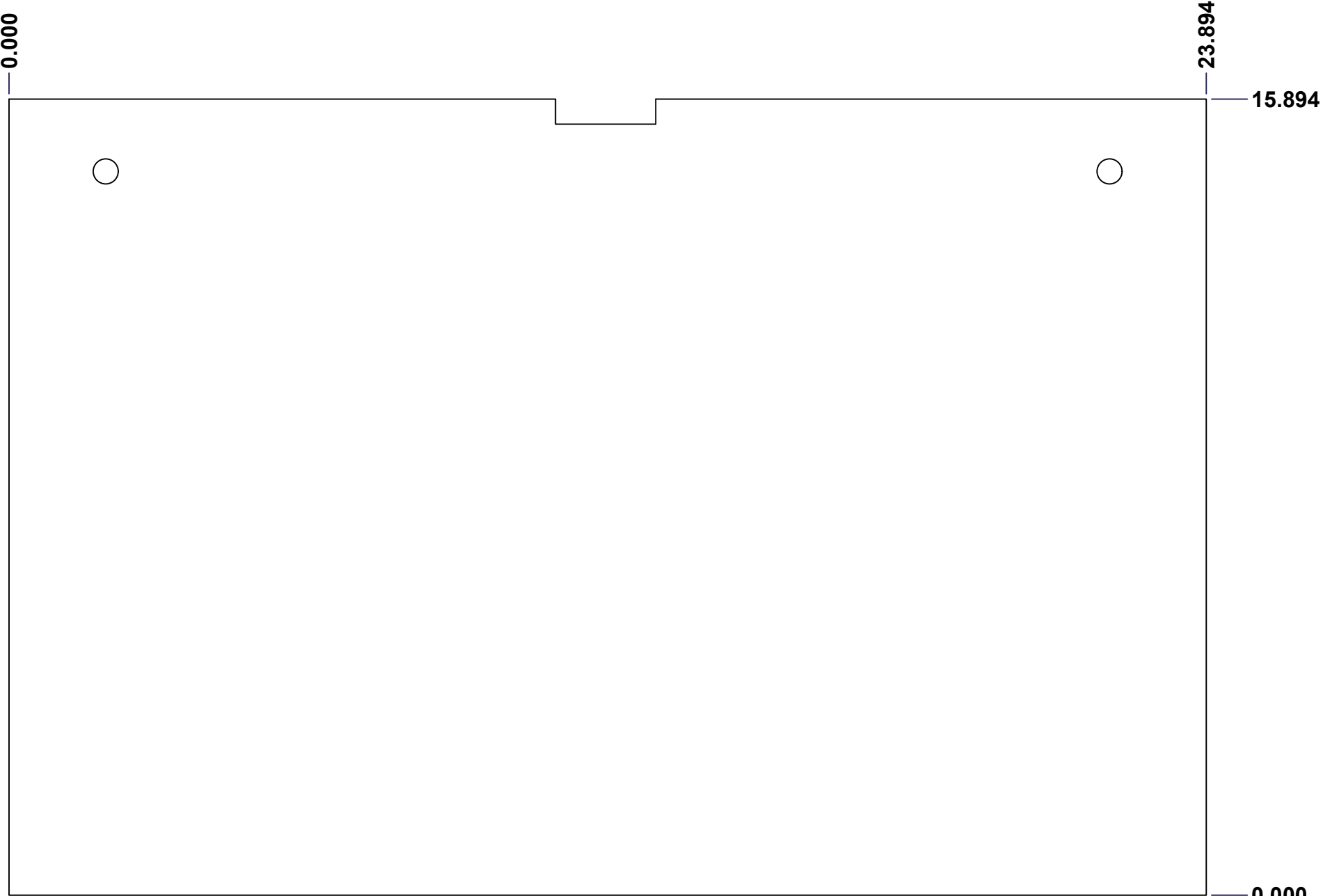
**5412ESPR362416THI-RS**

This drawing is confidential and must not be reproduced or used without the consent of EXM

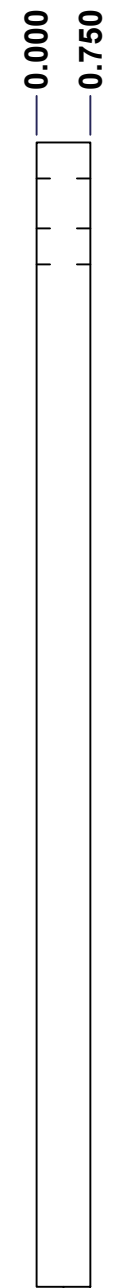
Ce dessin est confidentiel et ne doit pas être reproduit ou utilisé sans le consentement de EXM



TOP

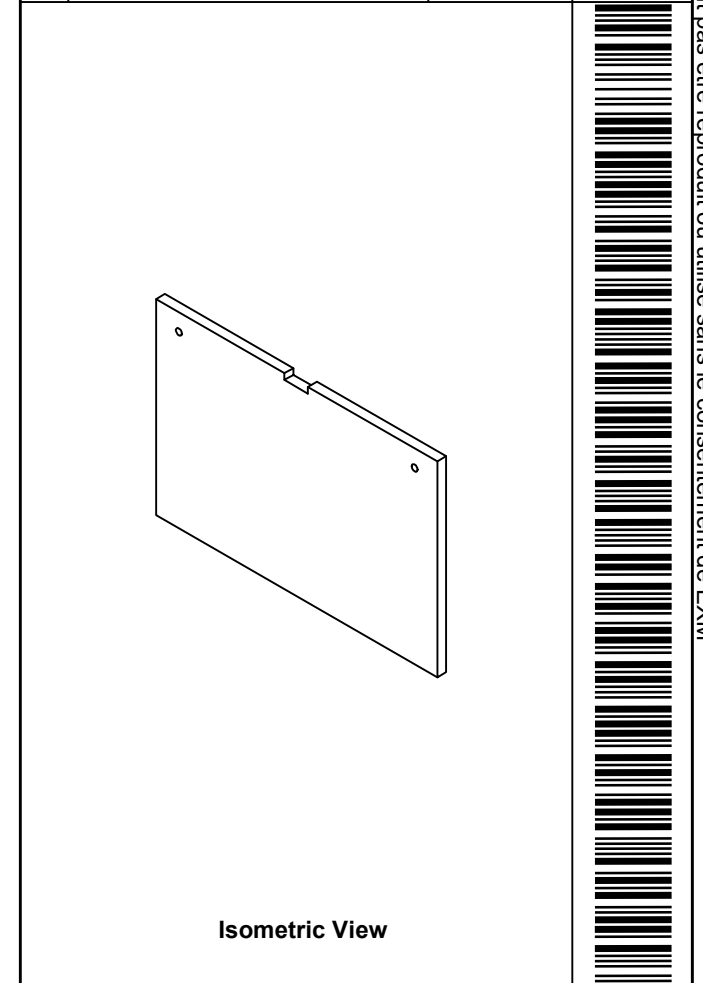


FRONT



RIGHT

| No. | Revisions | Date | By/Par |
|-----|-----------|------|--------|
|     |           |      |        |
|     |           |      |        |
|     |           |      |        |
|     |           |      |        |

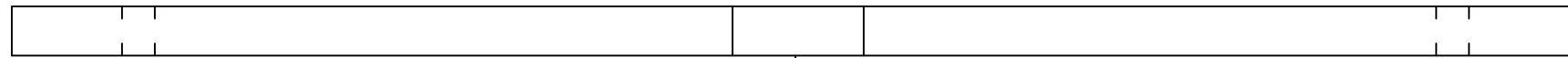


|   |  |
|---|--|
| <p>Tél: (450) 979-4373<br/>Fax: (450) 979-4626<br/><a href="http://www.exmweb.com">www.exmweb.com</a></p> | Flatness<br>Aplatissement<br>Max 3.0mm |
|   | Projection<br>                         |
| Customer Client   | Date                                   |
| Drawn By<br>Dessiné Par BoxCad: BoxCad  | Date 4/3/2024                          |
| Material<br>Matière Polyisocyanurate  |  |
| Color<br>Couleur Aluminum   | Finish<br>Fini Smooth                  |
| Description<br>5412ESPR 36" x 24"Top Insulation   | Detail Rev.                            |
| Part Number<br>Numéro Pièce <b>5412ESPR362416THI-TP</b>   | Rev. <b>0</b>                          |
|   | 14<br>16                               |

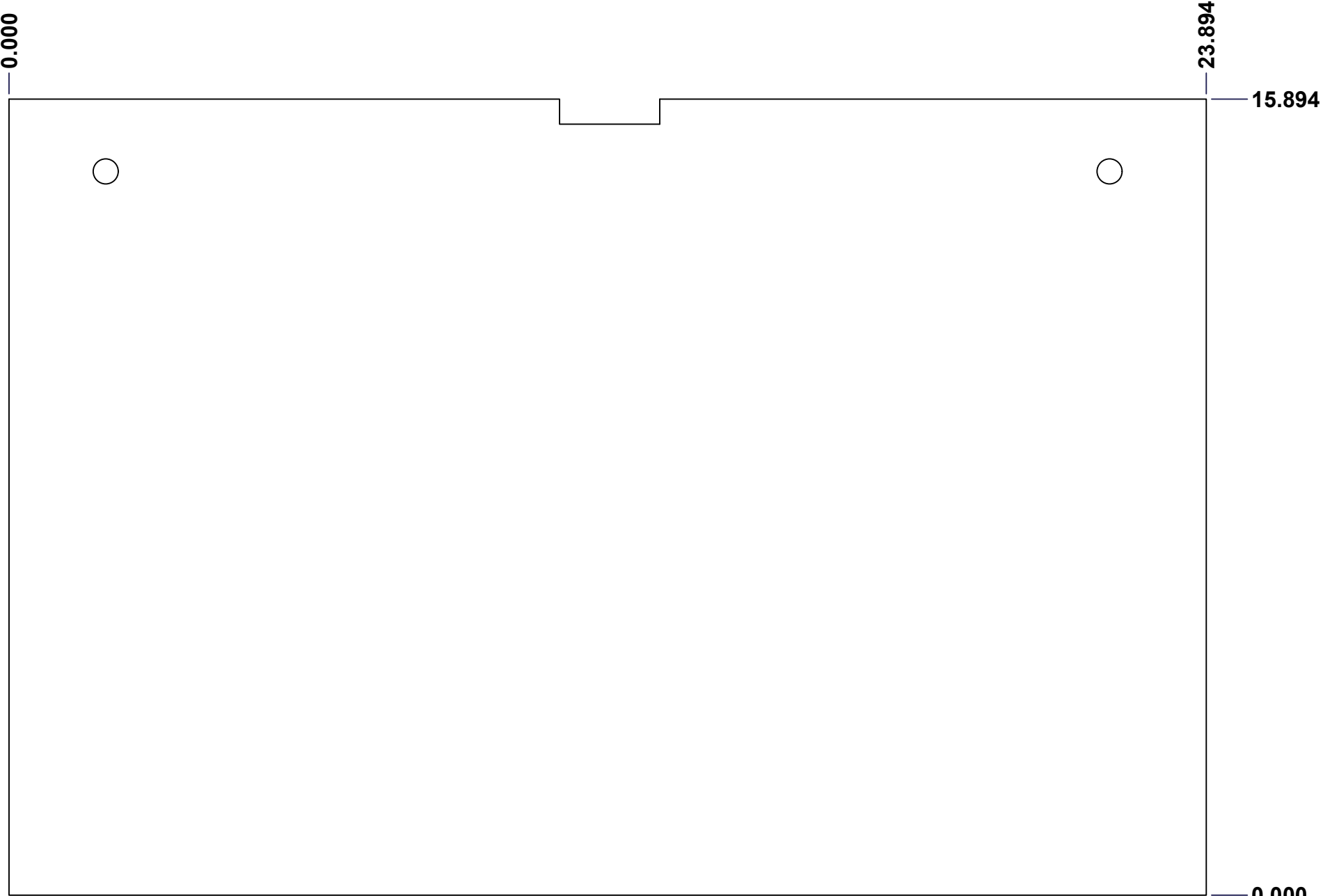
SEE BILL OF MATERIAL ON LAST PAGE

This drawing is confidential and must not be reproduced or used without the consent of EXM

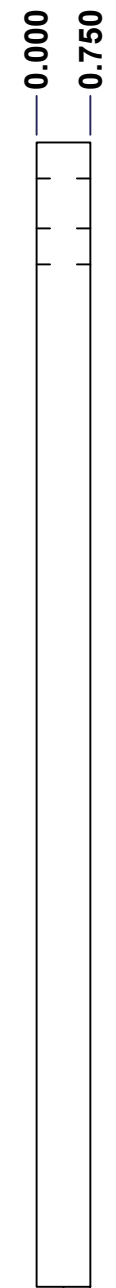
Ce dessin est confidentiel et ne doit pas être reproduit ou utilisé sans le consentement de EXM



TOP

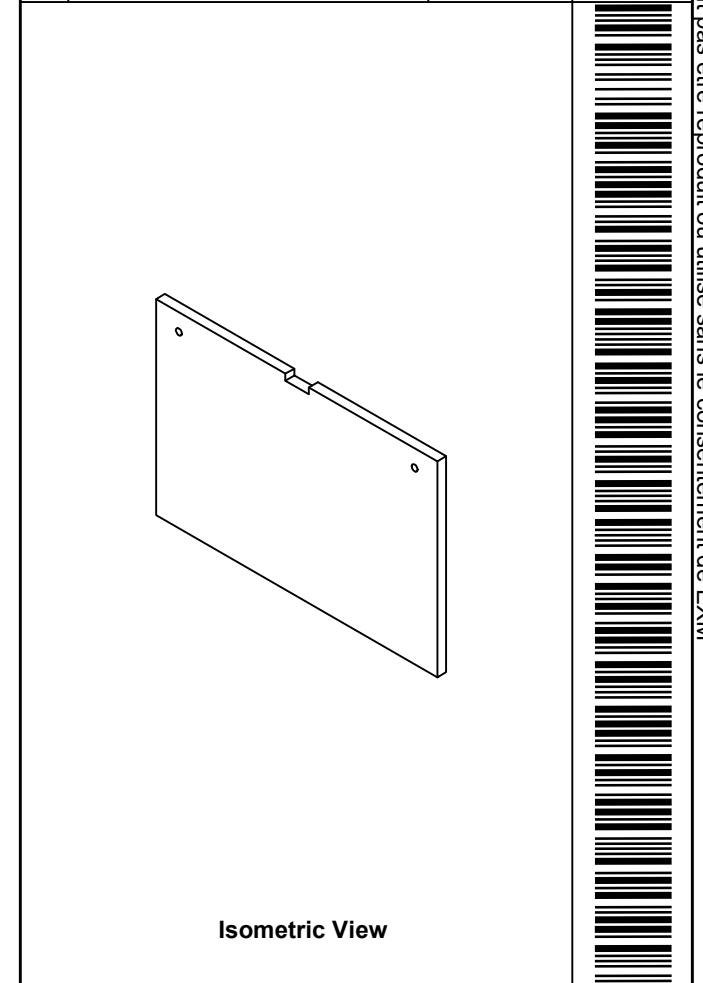


FRONT



RIGHT

| No. | Revisions | Date | By/Par |
|-----|-----------|------|--------|
|     |           |      |        |
|     |           |      |        |
|     |           |      |        |
|     |           |      |        |
|     |           |      |        |

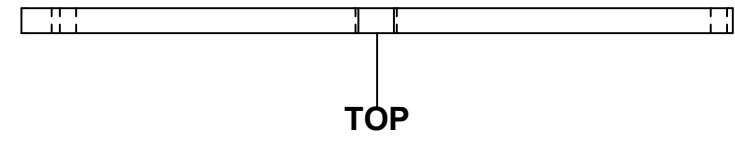


|   |  |
|---|--|
| <p>Tél: (450) 979-4373<br/>Fax: (450) 979-4626<br/><a href="http://www.exmweb.com">www.exmweb.com</a></p> | Flatness<br>Aplatissement<br>Max 3.0mm |
|   | Projection<br>                         |
| Customer Client   | Date                                   |
| Drawn By<br>Dessiné Par BoxCad: BoxCad  | Date 4/3/2024                          |
| Material<br>Matière Polyisocyanurate  |  |
| Color<br>Couleur Aluminum   | Finish<br>Fini Smooth                  |
| Description<br>5412ESPR 36" x 24"Bottom Insulation  | Detail Rev.                            |
| Part Number<br>Numéro Pièce <b>5412ESPR362416THI-BT</b>   | Rev. <b>0</b>                          |

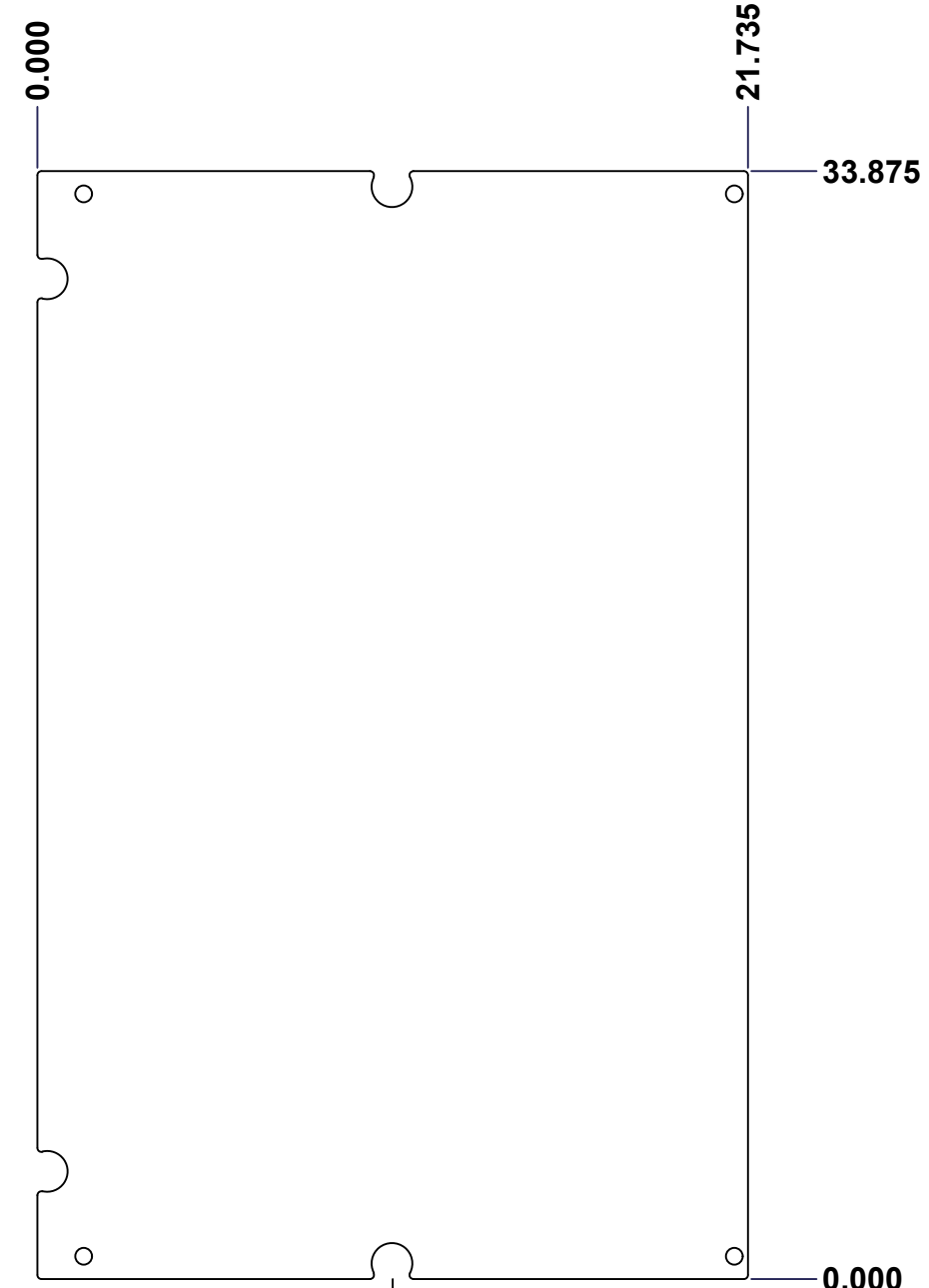
SEE BILL OF MATERIAL ON LAST PAGE

This drawing is confidential and must not be reproduced or used without the consent of EXM

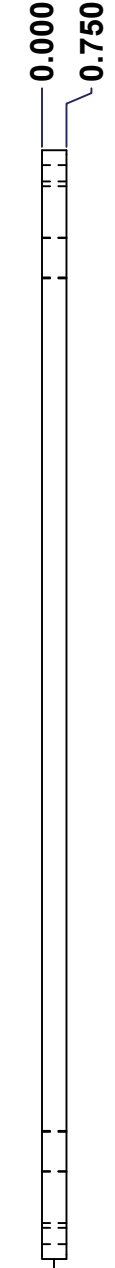
Ce dessin est confidentiel et ne doit pas être reproduit ou utilisé sans le consentement de EXM



TOP

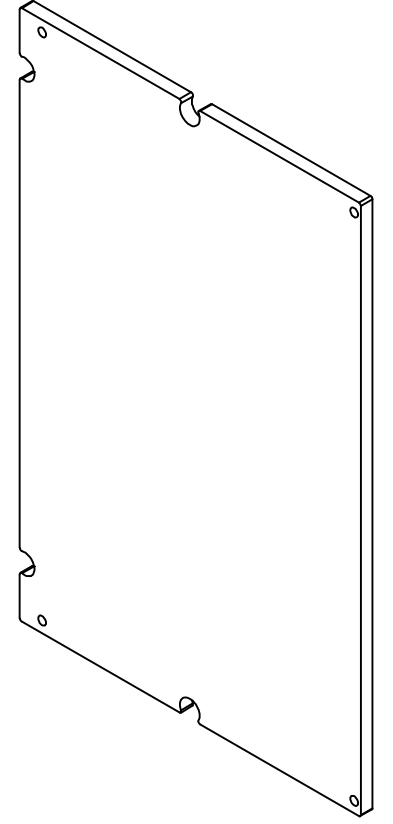


FRONT



RIGHT

| No. | Revisions | Date | By/Par |
|-----|-----------|------|--------|
|     |           |      |        |
|     |           |      |        |
|     |           |      |        |
|     |           |      |        |
|     |           |      |        |



Isometric View



Tél: (450) 979-4373  
 Fax: (450) 979-4626  
[www.exmweb.com](http://www.exmweb.com)

Flatness  
Aplatissement  
Max 3.0mm  
Projection

|   |                    |
|---|--------------------|
| Customer Client                                   | Date               |
| Drawn By / Dessiné Par: BoxCad: Patrick Deschenes | Date: 23-Jan-07    |
| Material / Matière: Polyisocyanurate              |                    |
| Color / Couleur: Aluminum                         | Finish / Fini: N/A |

|  |             |
|--|-------------|
| Description: 5412ESPR 36" x 24" Cover Insulation | Detail Rev. |
|--|-------------|

|  |        |         |
|--|--------|---------|
| Part Number / Numéro Pièce: 5412ESPR362416TH-C | Rev. 0 | 16 / 16 |
|--|--------|---------|

SEE BILL OF MATERIAL ON LAST PAGE

This drawing is confidential and must not be reproduced or used without the consent of EXM

Ce dessin est confidentiel et ne doit pas être reproduit ou utilisé sans le consentement de EXM



| No. | Revisions | Date | By/Par |
|-----|-----------|------|--------|
|     |           |      |        |
|     |           |      |        |
|     |           |      |        |
|     |           |      |        |
|     |           |      |        |

Isometric View

|  |               |  |
|--|---------------|--|
| Tél: (450) 979-4373<br>Fax: (450) 979-4626<br>www.exmweb.com |               | Flatness<br>Aplatissement<br>Max 3.0mm<br>Projection<br> |
| Customer Client  | Date          |  |
| Drawn By<br>Dessiné Par                                      | BoxCad        | Date 23-Jan-07   |
| Material<br>Matière  | See Part List |  |
| Color<br>Couleur   | See Part List | Finish<br>Fini See Part List                             |
| Description  | Detail Rev.   |  |
| 881 SP - Inner Panel   |               |  |
| Part Number<br>Numéro Pièce                                  | Rev. 0        | 1/2  |
| <b>881 SP3624G</b>   |               |  |

| Qty | Part Number   | Rev | Description               | Material         | Color     | Finish     |
|-----|---------------|-----|---------------------------|------------------|-----------|------------|
| 1   | 881 SP3624G-P | 0   | 881 SP - Inner Panel Part | 12 Ga Galvanized | Unpainted | Galvanized |

Parts List

This drawing is confidential and must not be reproduced or used without the consent of EXM

Ce dessin est confidentiel et ne doit pas être reproduit ou utilisé sans le consentement de EXM

| Table 1 |        |        | FRONT VIEW                 |
|---------|--------|--------|----------------------------|
| CUT-OUT | XDIM   | YDIM   | DESCRIPTION                |
| 1       | 0.875  | 1.875  | GROUND HOLE (RND Ø0.290)   |
| 2       | 21.125 | 1.875  | GROUND HOLE (RND Ø0.290)   |
| 3       | 0.875  | 32.125 | GROUND HOLE (RND Ø0.290)   |
| 4       | 21.125 | 32.125 | GROUND HOLE (RND Ø0.290)   |
| 5       | 0.875  | 17.000 | MTG STUD HOLE (RND Ø0.500) |
| 6       | 21.125 | 17.000 | MTG STUD HOLE (RND Ø0.500) |

All knockouts are actual size / Les disques défonçables sont grandeur réel



| No. | Revisions | Date | By/Par |
|-----|-----------|------|--------|
|     |           |      |        |
|     |           |      |        |
|     |           |      |        |
|     |           |      |        |
|     |           |      |        |

Isometric View

|                             |               |  |  |
|-----------------------------|---------------|--|--|
|                             |               | Tél: (450) 979-4373<br>Fax: (450) 979-4626<br>www.exmweb.com | Flatness<br>Aplatissement<br>Max 3.0mm<br>Projection<br> |
| Customer Client             |               |  | Date   |
| Drawn By<br>Dessiné Par     | BoxCad        | Date 23-Jan-07   |  |
| Material<br>Matière         | See Part List |  |  |
| Color<br>Couleur            | See Part List | Finish<br>Fini   | See Part List  |
| Description                 |               | Detail Rev.  |  |
| 881 SP - Inner Panel        |               |  |  |
| Part Number<br>Numéro Pièce |               | Rev.   | 2  |
| 881 SP3624G                 |               | 0  | 2  |